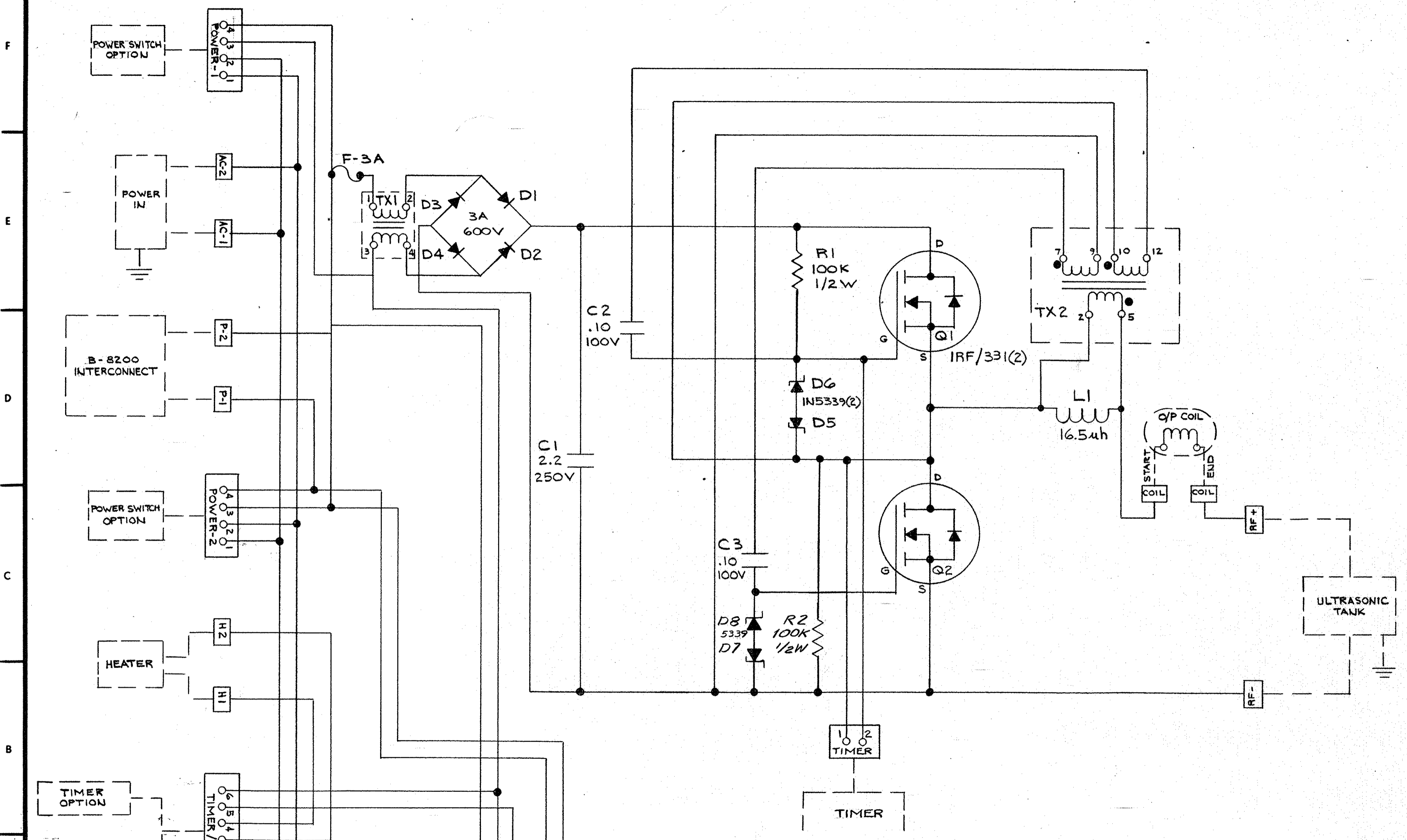


REV	BY	DATE	DESCRIPTION	ECN
1	JHS	2-59	PER ECK	8704



MATERIAL	USED ON	BRANSON SONIC POWER COMPANY Eagle Rd. Danbury, Conn 06810 division of Branson Ultrasonics Corporation			
FINISH		TITLE SCHEMATIC BIZOO BRANSONIC			
UNLESS OTHERWISE SPECIFIED		SUPERSEDES	NEXT ASSY.	DES.	DATE
BREAK ALL CORNERS AND EDGES		SUPERSEDED BY	SCALE	DR. G.R. 1-5-59	
FRAC. ± 1/64	HOLES	B.S.P. NO.	QTY.	CH.	
.XX ± .01	+ .005	SHEET 1		APP.	
.XXX ± .005	-.002	OF 1		REV.	
ANGLE ± 1°	ALL DIMS ARE IN INCHES	C		DWG. NO. 913-242-095	1