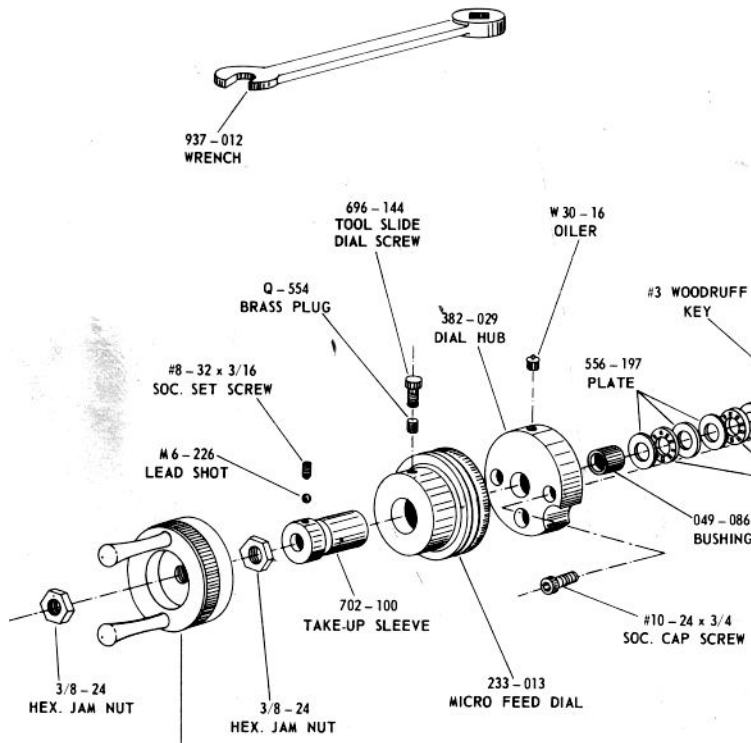


COMPOUND AND CROSS SLIDE ASSEMBLY NO. 5900-50



4900-52 HANDWHEEL ASSEMBLY

5900-30 COMPOUND ASSEMBLY

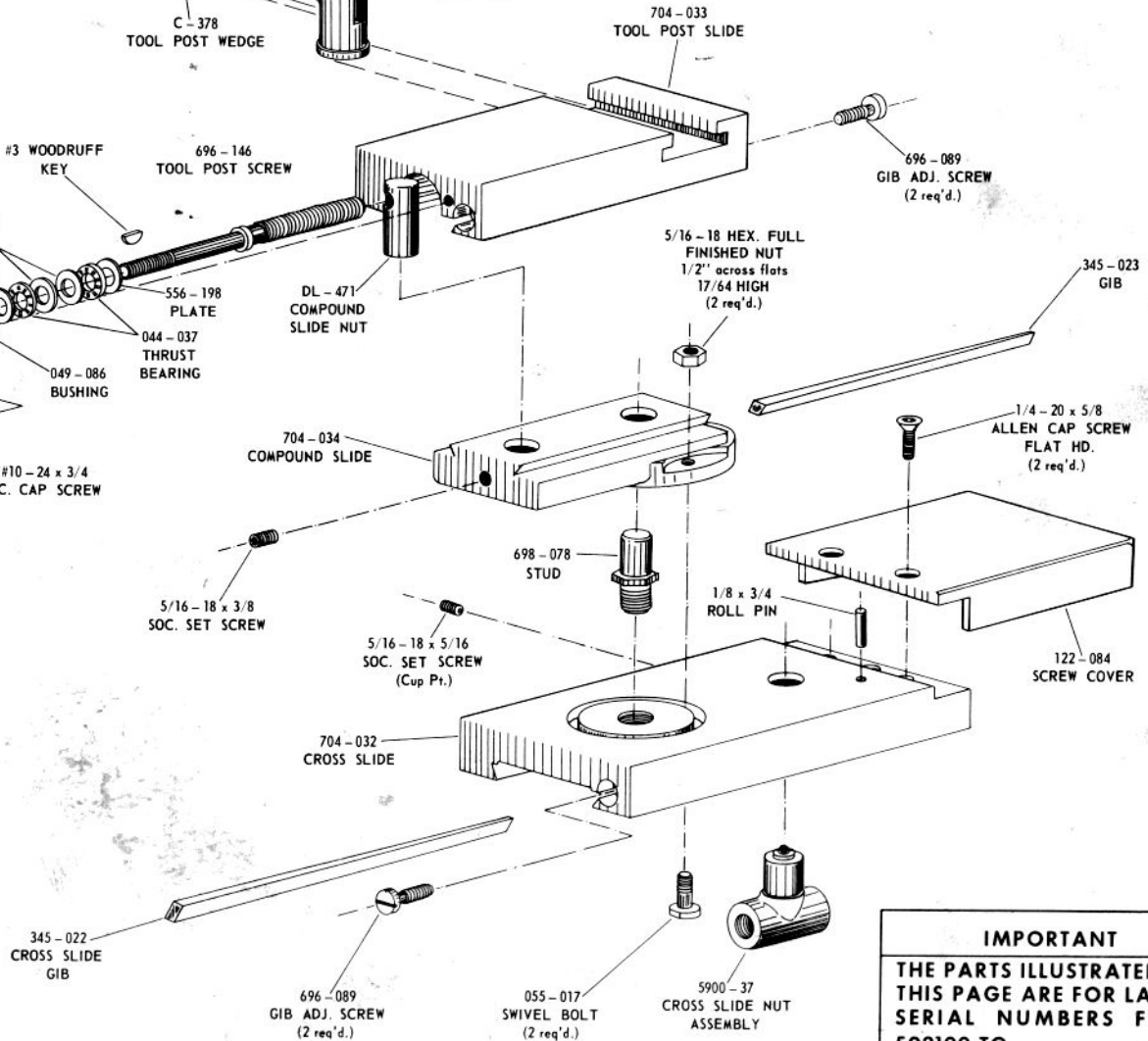
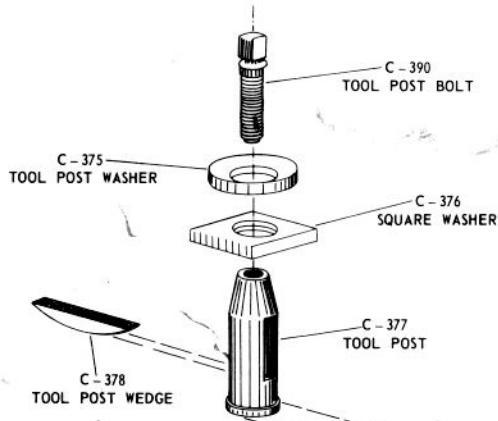
Consists of:

- | | |
|-----------------|--------------------|
| 704-034 | SLIDE |
| 704-033 | SLIDE |
| 702-050 | SLEEVE |
| 696-089 | SCREW (2) |
| 696-088 | SCREW |
| 4900-52 | HANDWHEEL ASSEMBLY |
| 382-029 | HUB |
| 345-023 | GIB |
| 233-013 | DIAL |
| 049-058 | BUSHING |
| W30-16 | OILER |
| Q-554 | PLUG |
| M6-226 | SHOT |
| 696-144 | DIAL SCREW |
| DL-471 | NUT |
| #3 WOODRUFF KEY | |
| 3/8-24 | HEX. JAM NUT (2) |
| 5/16-18 x 3/8 | SOC. SET SCREW |
| #8-32 x 3/16 | SOC. SET SCREW |
| #10-24 x 3/4 | SOC. CAP SCREW |
| 044-037 | BEARING (2) |
| 556-197 | PLATE (3) |
| 556-198 | PLATE |

5900-31 TOOL POST ASSEMBLY

CONSISTS OF:

- | | |
|-------|------------|
| C-375 | WASHER |
| C-376 | SQ. WASHER |
| C-377 | TOOL POST |
| C-378 | WEDGE |
| C-390 | BOLT |



IMPORTANT
THE PARTS ILLUSTRATED ON
THIS PAGE ARE FOR LATHES
SERIAL NUMBERS FROM
502100 TO _____