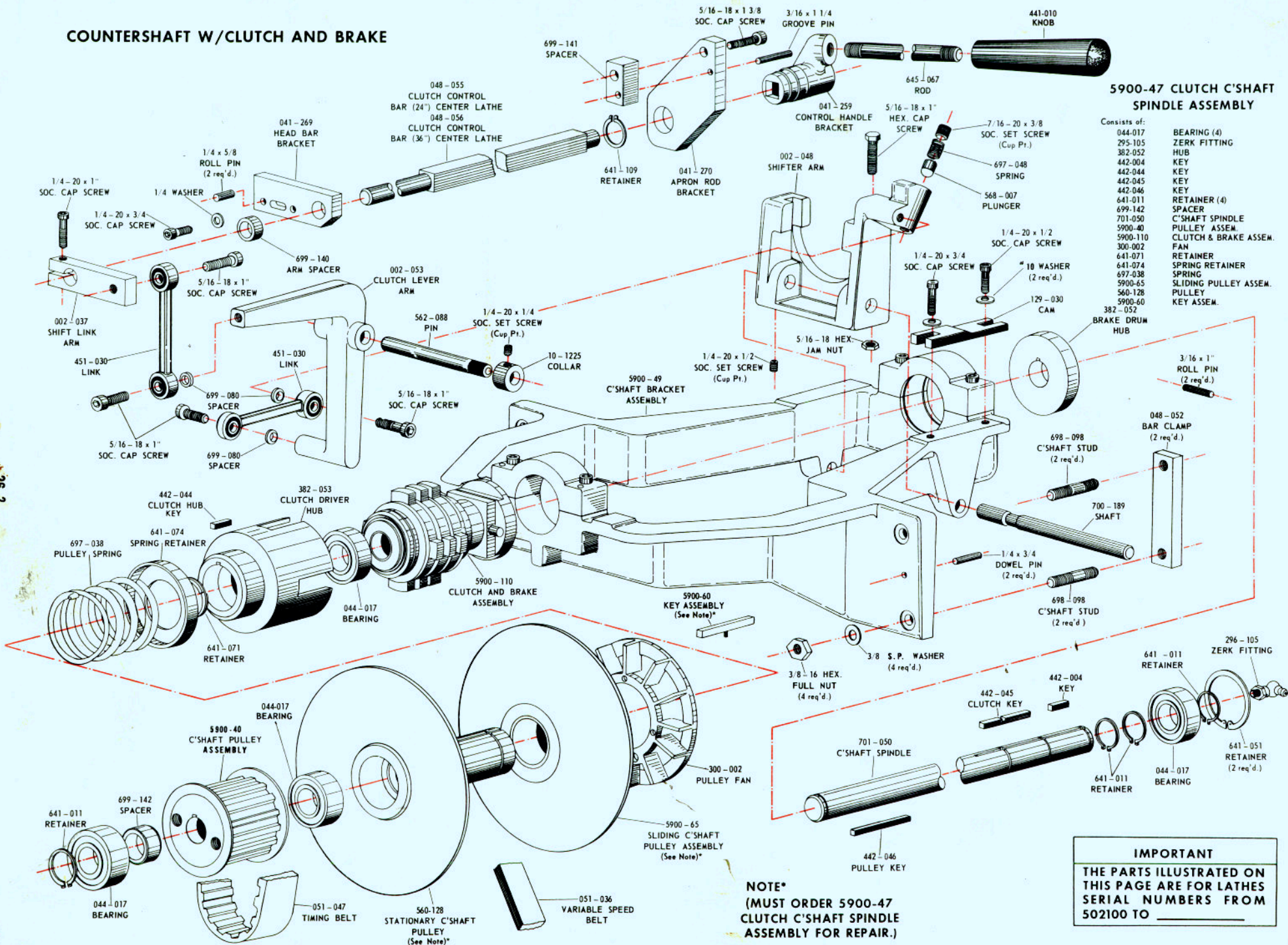


COUNTERSHAFT W/CLUTCH AND BRAKE



5900-47 CLUTCH C'SHAFT SPINDLE ASSEMBLY

- Consists of:
- 044-017 BEARING (4)
 - 295-105 ZERK FITTING
 - 382-052 HUB
 - 442-004 KEY
 - 442-044 KEY
 - 442-045 KEY
 - 442-046 KEY
 - 641-011 RETAINER (4)
 - 699-142 SPACER
 - 701-050 C'SHAFT SPINDLE
 - 5900-40 PULLEY ASSEM.
 - 5900-110 CLUTCH & BRAKE ASSEM.
 - 300-002 FAN
 - 641-071 RETAINER
 - 641-074 SPRING RETAINER
 - 697-038 SLIDING PULLEY ASSEM.
 - 5900-65 PULLEY
 - 560-128 KEY ASSEM.
 - 5900-60
 - 382-052 BRAKE DRUM HUB

IMPORTANT
 THE PARTS ILLUSTRATED ON THIS PAGE ARE FOR LATHES SERIAL NUMBERS FROM 502100 TO _____

NOTE*
 (MUST ORDER 5900-47 CLUTCH C'SHAFT SPINDLE ASSEMBLY FOR REPAIR.)

26.2

5910