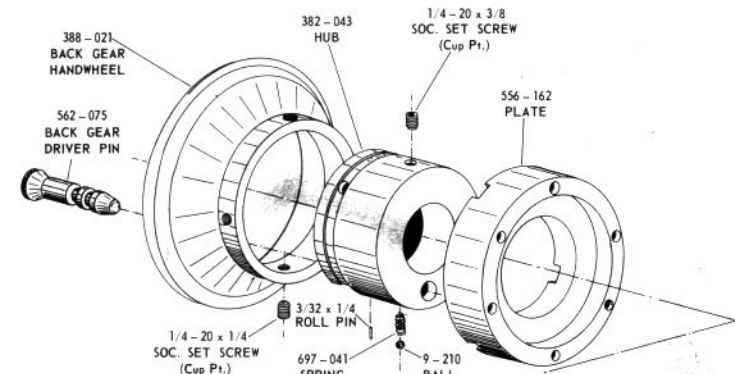


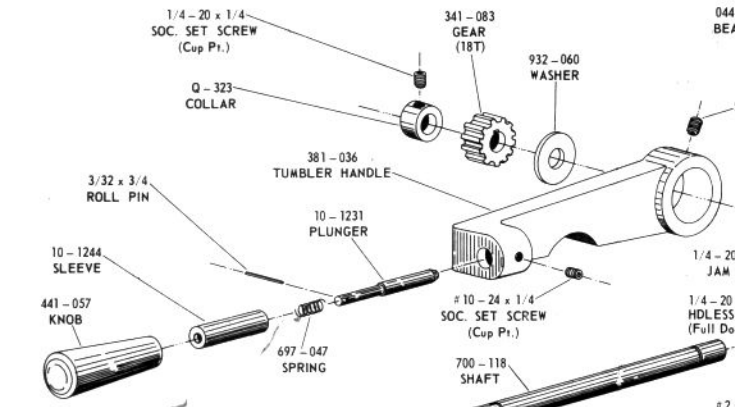
## HEADSTOCK ASSEMBLY



- 5900-70  
BACK GEAR ENGAGE  
HUB ASSEMBLY**  
Consists of:  
562-075 PIN  
697-041 SPRING  
382-043 HUB  
9-210 BALL  
3/32 x 1/4 ROLL PIN  
1/4-20 x 3/8 SOC. SET SCREW (Cup Pt.)  
556-162 PLATE

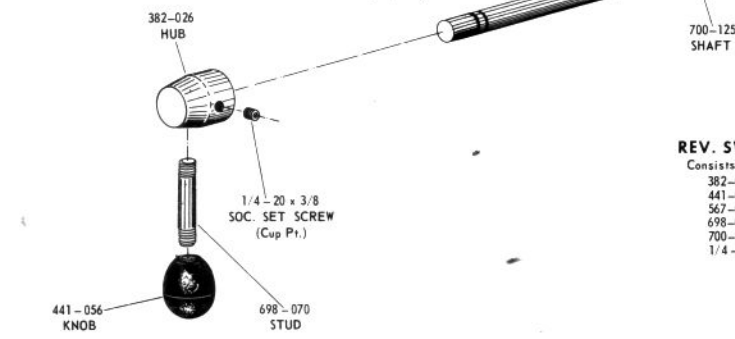
**5900-43  
SPINDLE PULLEY AND  
DRIVER ASSEMBLY**

- Consists of:  
5900-96 PULLEY ASSEMBLY  
044-033 BEARING  
5900-94 HUB ASSEMBLY  
DB 4-35 OILER  
1/4-20 x 1 3/4 SOC. CAP SCREW (6)  
556-162



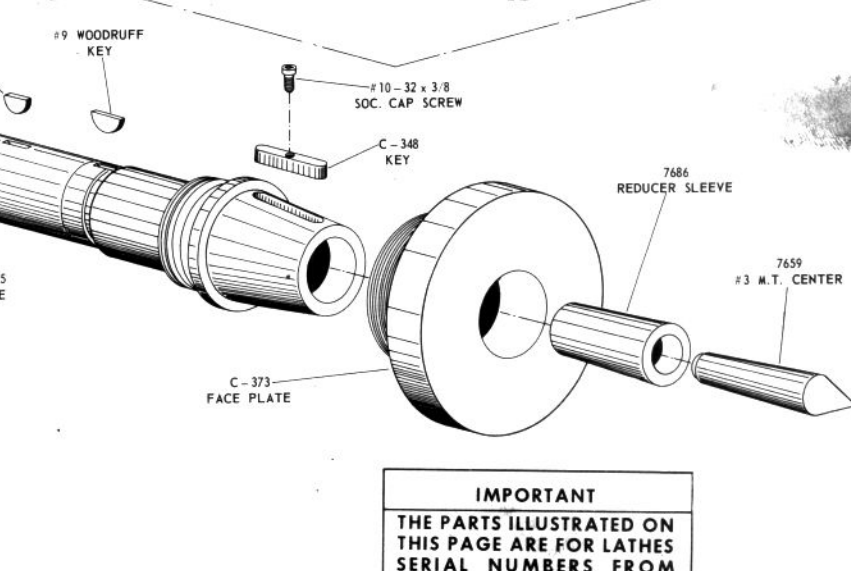
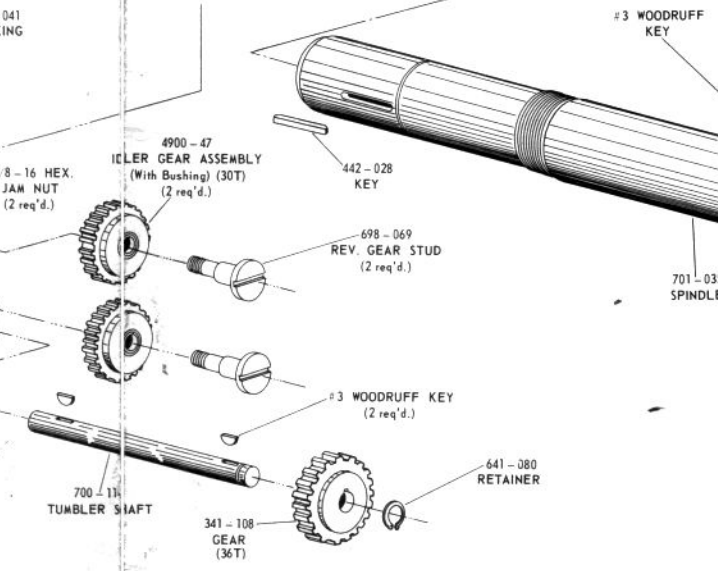
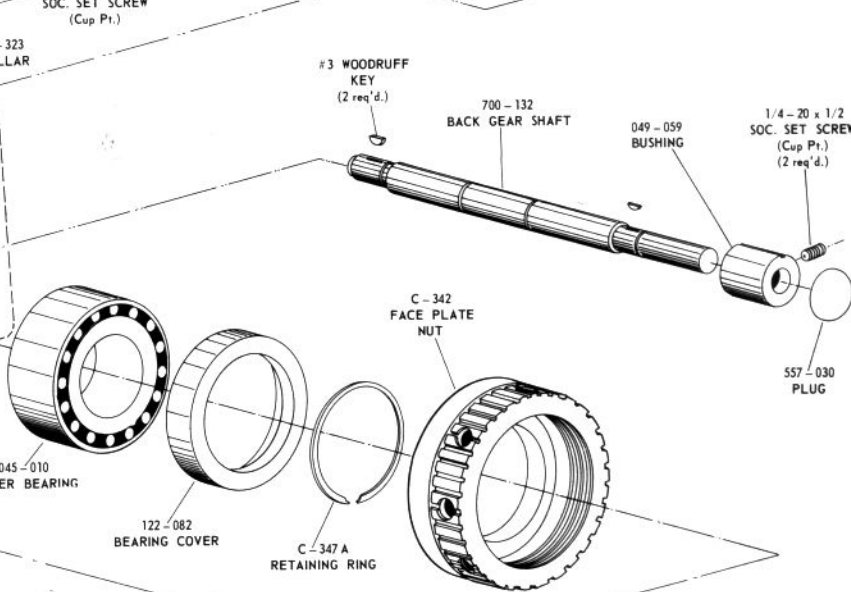
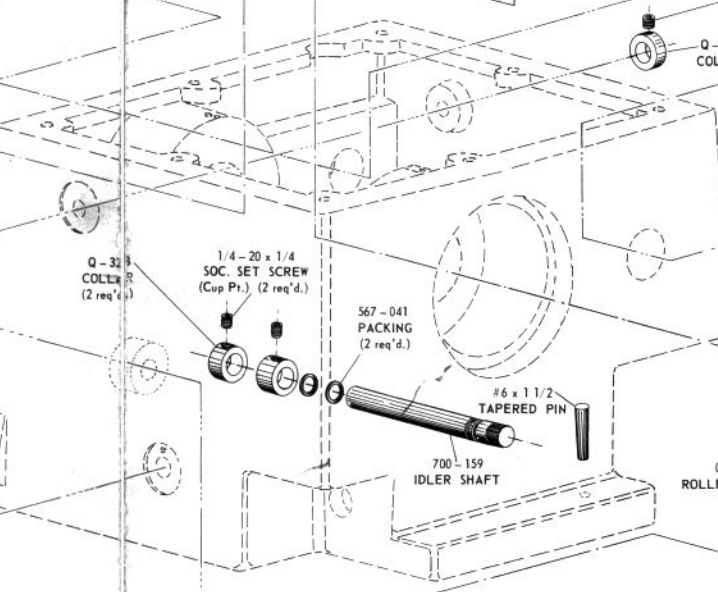
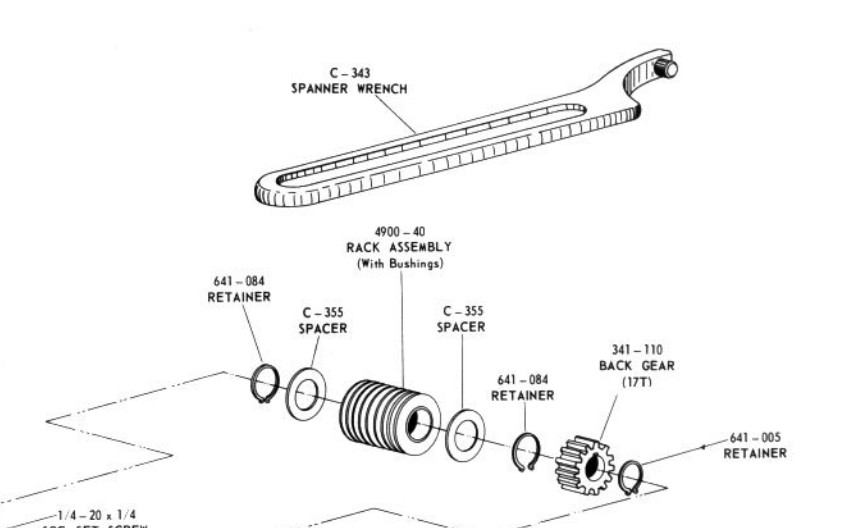
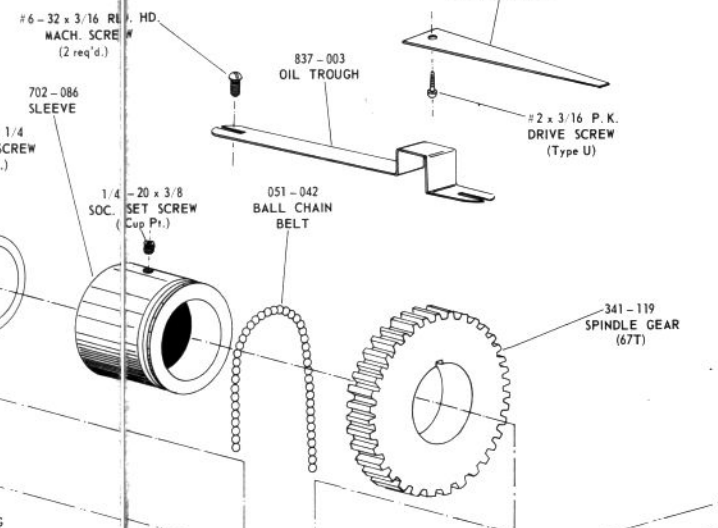
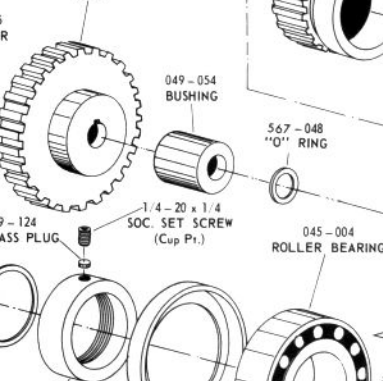
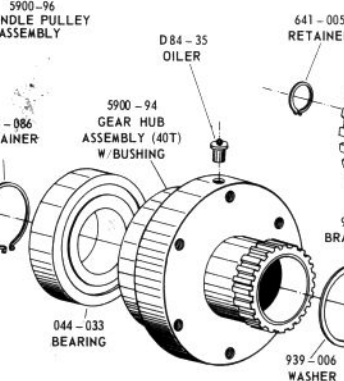
**5900-66  
BACK GEAR LOCK ASSEMBLY**

- Consists of:  
002-045 ARM  
123-071 COLLAR  
129-025 CAM  
10-1225 COLLAR (2)  
Q-335 SPRING  
5/16 x 5/8 ROLL PIN  
1/4-20 HEX. JAM NUT  
#2 x 3/16 P.K. DRIVE SCREW  
1/4-20 x 3/4 HDLESS SET SCREW (2)  
1/4-20 x 3/16 SOC. SET SCREW (2 req'd.)  
382-026 HUB  
441-056 KNOB  
698-070 STUD



**5900-112  
REV. SWITCH LOCK KNOB ASSEMBLY**

- Consists of:  
382-026 HUB  
441-056 KNOB  
567-041 STUD  
698-070 "O" RING (4)  
700-125 SHAFT  
1/4-20 x 3/8 SOC. SET SCREW



**IMPORTANT**  
THE PARTS ILLUSTRATED ON  
THIS PAGE ARE FOR LATHES  
SERIAL NUMBERS FROM  
50000 TO  
**502260 TO**