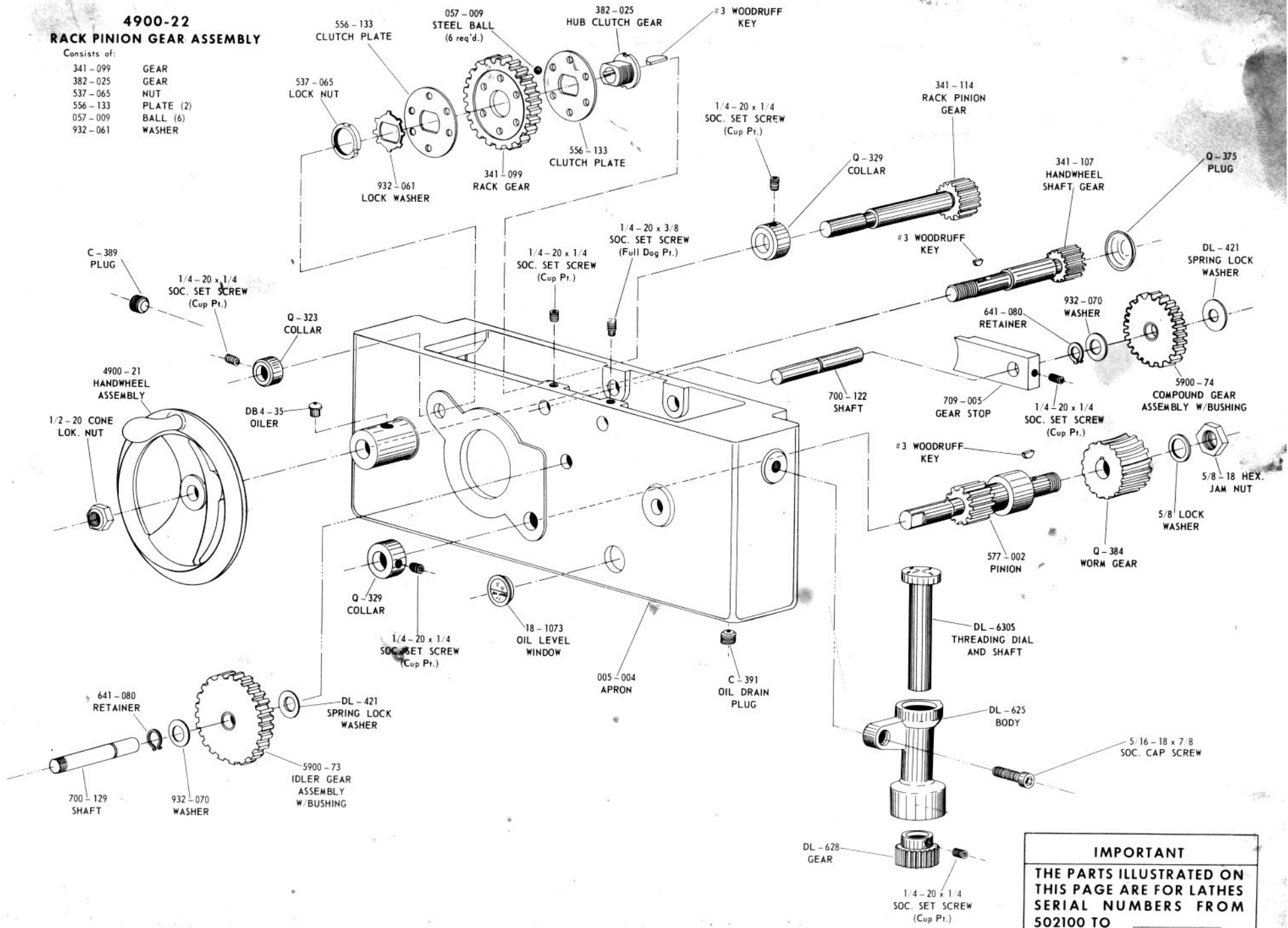


# 4900-22 RACK PINION GEAR ASSEMBLY

Consists of:

341-099	GEAR
382-025	GEAR
537-065	NUT
556-133	PLATE (2)
057-009	BALL (6)
932-061	WASHER



**IMPORTANT**  
THE PARTS ILLUSTRATED ON THIS PAGE ARE FOR LATHES SERIAL NUMBERS FROM 502100 TO \_\_\_\_\_