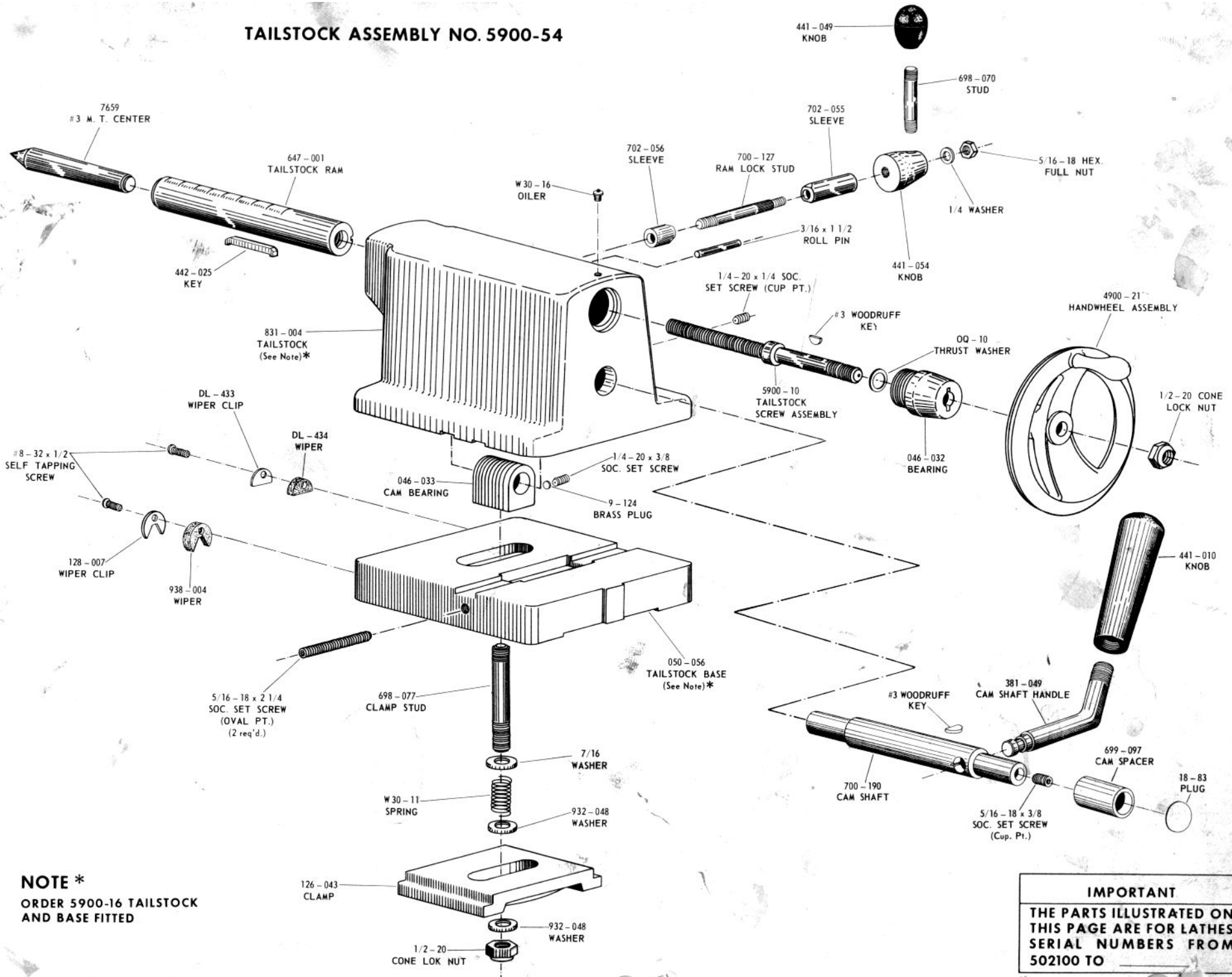


# TAILSTOCK ASSEMBLY NO. 5900-54



**NOTE \***  
ORDER 5900-16 TAILSTOCK  
AND BASE FITTED

**IMPORTANT**  
THE PARTS ILLUSTRATED ON  
THIS PAGE ARE FOR LATHES  
SERIAL NUMBERS FROM  
502100 TO \_\_\_\_\_