

COUNTERSHAFT ASSEMBLY W/O CLUTCH

5905-115 COUNTERSHAFT SPINDLE ASSEMBLY W/O CLUTCH

- Consists of:
- 044-017 BEARING (2)
 - 238-003 DRIVER HUB
 - 382-055 PULLEY KEY
 - 442-046 DRIVER KEY
 - 442-053 RETAINER (2)
 - 641-011 RETAINER
 - 641-071 SPACER
 - 699-142 SPINDLE C'SHAFT PULLEY ASSEM.
 - 5900-40 C'SHAFT VARI. PULLEY ASSEM.
 - 5900-46 SPACER
 - 699-146

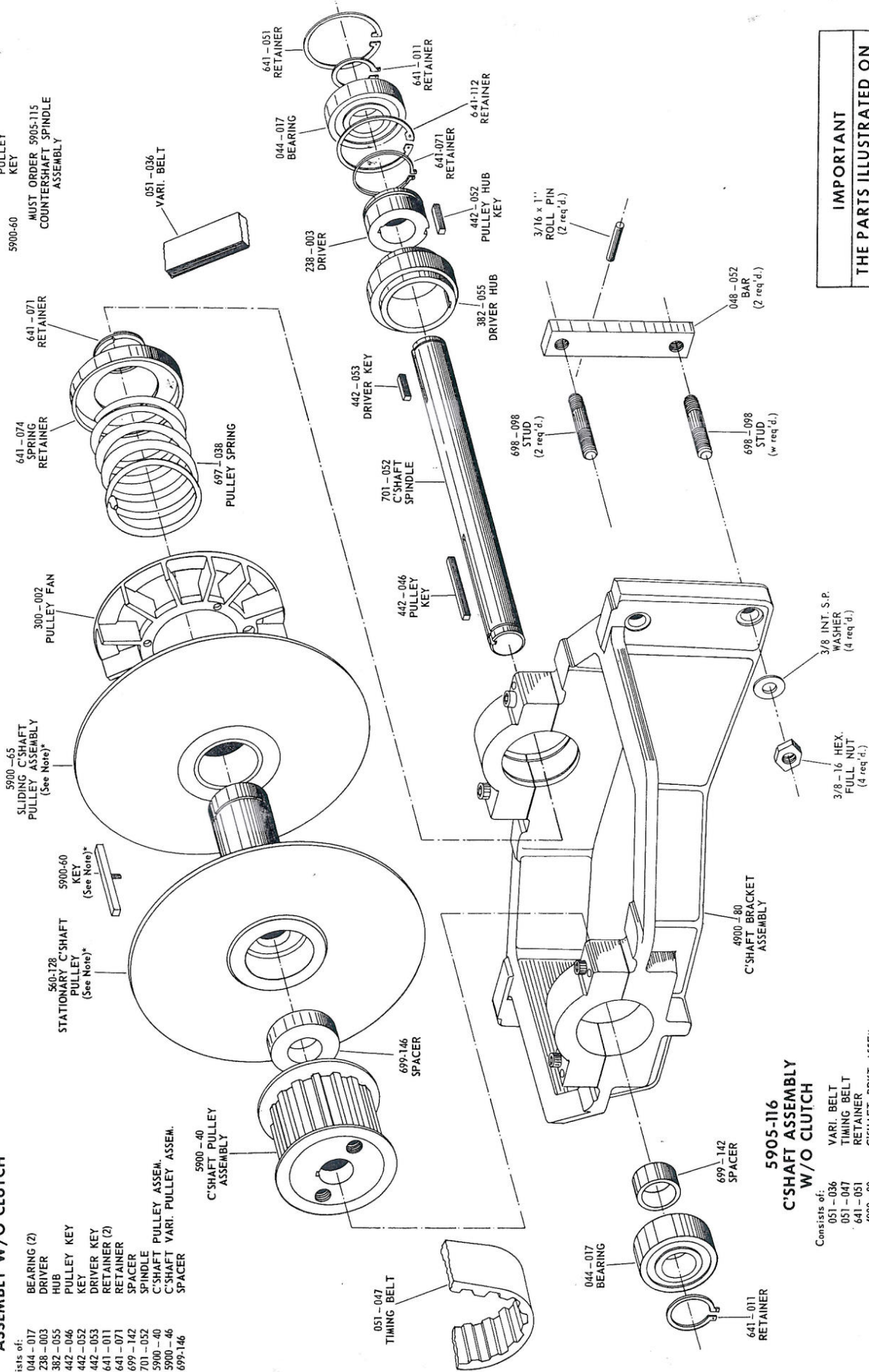
- 5900-40 C'SHAFT PULLEY ASSEMBLY
- 699-146 SPACER
- 051-047 TIMING BELT

NOTE*
MUST ORDER 5905-115
COUNTERSHAFT SPINDLE
ASSEMBLY FOR REPAIR.

5900-46 C'SHAFT VARI. PULLEY ASSEMBLY (SEE NOTE)*

- Consists of:
- 300-002 FAN
 - 641-071 RETAINER
 - 641-074 SPRING RETAINER
 - 697-038 PULLEY SPRING
 - 5900-65 SLIDING C'SHAFT PULLEY ASSEMBLY
 - 560-128 STAT. C'SHAFT PULLEY
 - 5900-60 KEY

MUST ORDER 5905-115
COUNTERSHAFT SPINDLE
ASSEMBLY



5905-116 C'SHAFT ASSEMBLY W/O CLUTCH

- Consists of:
- 051-036 VARI. BELT
 - 051-047 TIMING BELT
 - 641-051 RETAINER
 - 4900-80 C'SHAFT BRKT. ASSEM.
 - 5905-115 C'SHAFT SPINDLE ASSEM.
 - 641-112 RETAINER

- 048-052 BAR (2 req. d.)
- 698-098 STUD (2 req. d.)
- 698-098 STUD (w req. d.)
- 3/8 INT. S.P. WASHER (4 req. d.)
- 3/8-16 HEX. FULL NUT (4 req. d.)

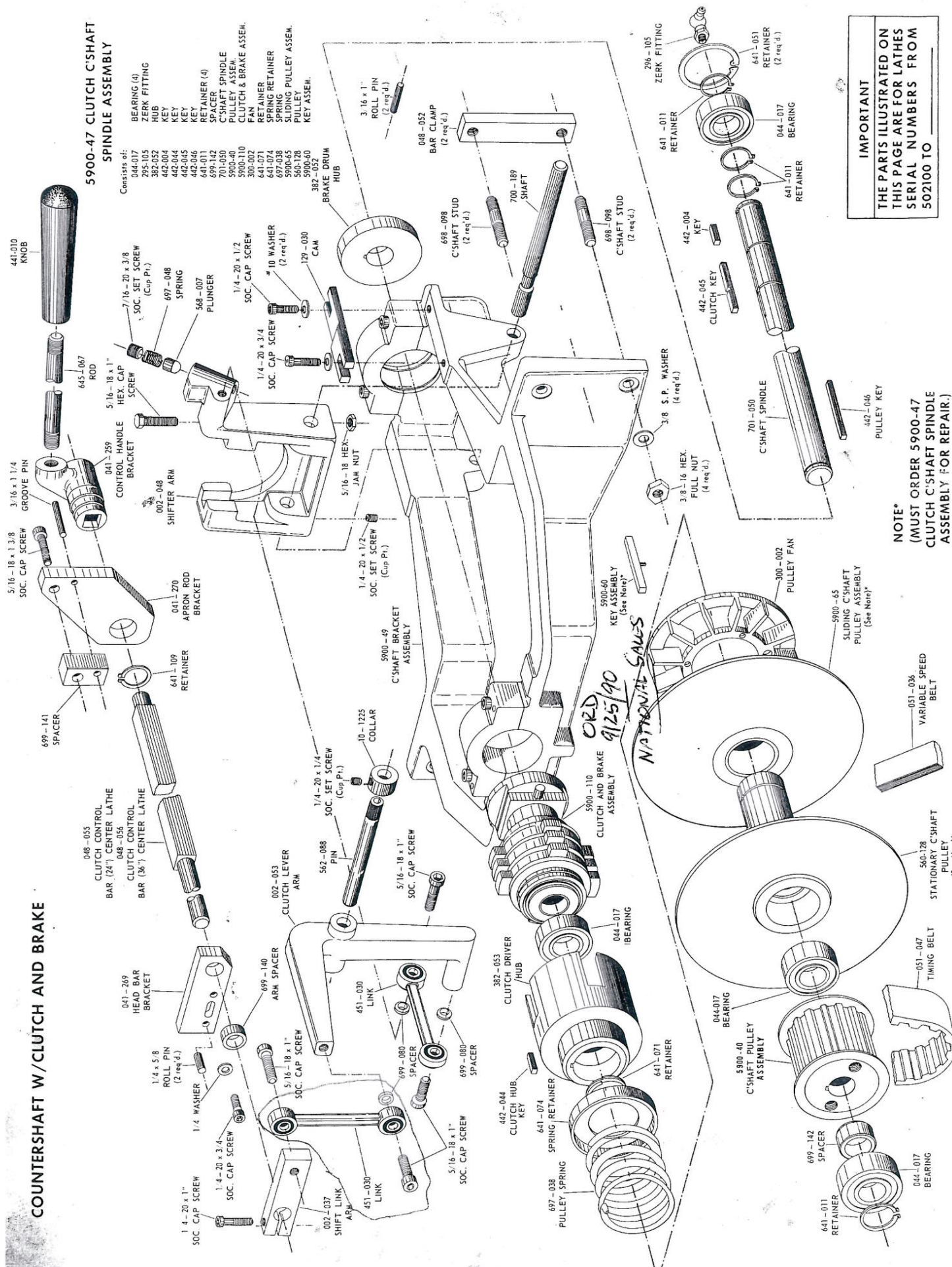
IMPORTANT
THE PARTS ILLUSTRATED ON
THIS PAGE ARE FOR LATHES
SERIAL NUMBERS FROM
502100 TO

COUNTERSHAFT W/CLUTCH AND BRAKE

5900-47 CLUTCH C'SHAFT SPINDLE ASSEMBLY

Consists of:

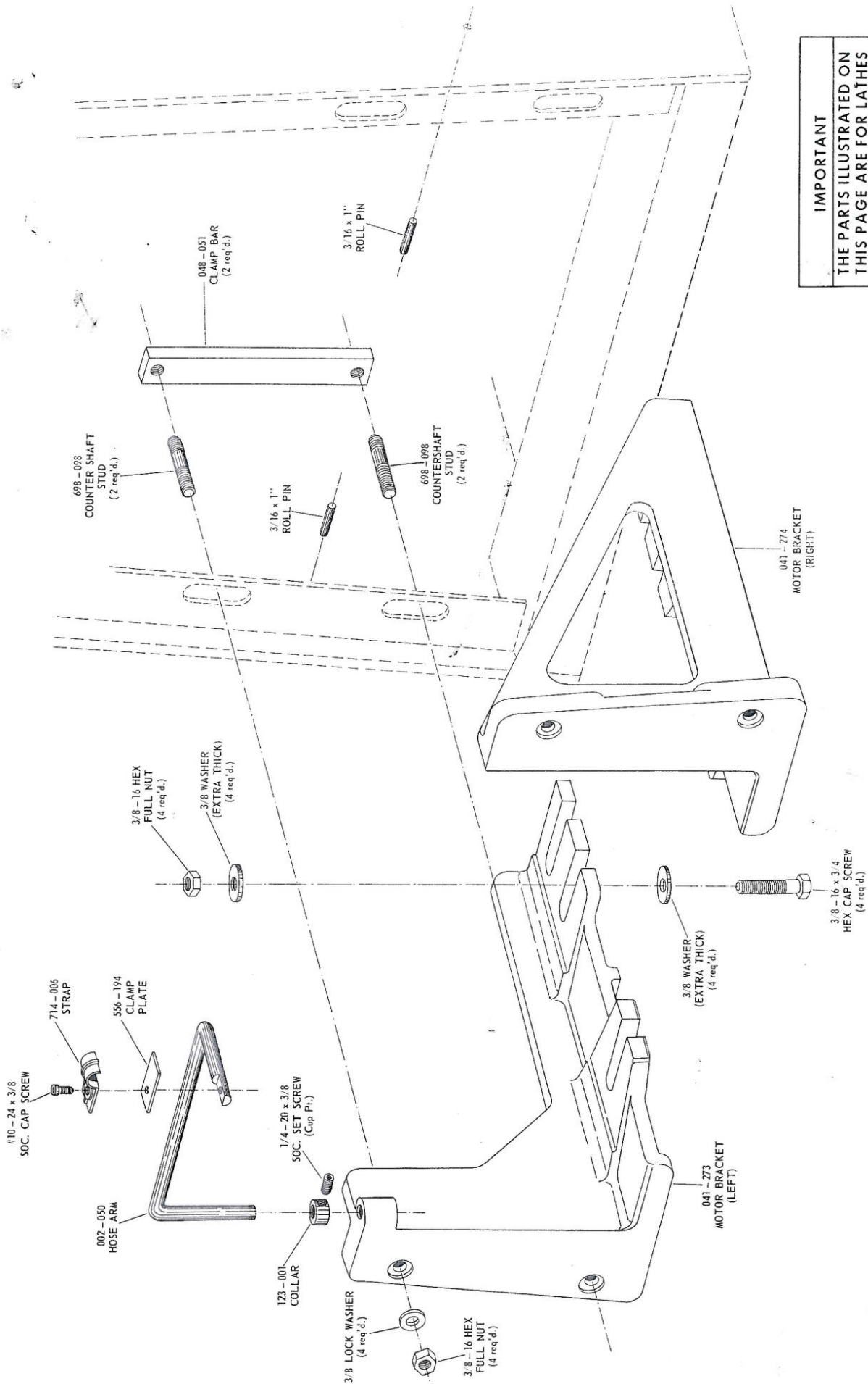
- 044-017 BEARING (4)
- 295-105 ZERK FITTING
- 382-052 HUB
- 442-004 KEY
- 442-045 KEY
- 442-046 KEY
- 641-011 RETAINER (4)
- 699-142 SPACER
- 701-050 C'SHAFT SPINDLE
- 5900-40 PULLEY ASSEM.
- 5900-110 CLUTCH & BRAKE ASSEM.
- 300-002 FAN
- 641-071 RETAINER
- 641-074 SPRING RETAINER
- 641-078 SLIDING PULLEY ASSEM.
- 5900-65 PULLEY
- 560-128 PULLEY
- 5900-60 KEY ASSEM.
- 382-052 BRAKE DRUM
- 048-052 BAR CLAMP (2 req'd.)
- 3.16 x 1" ROLL PIN (2 req'd.)
- 641-011 RETAINER (2 req'd.)
- 641-051 RETAINER (2 req'd.)
- 044-017 BEARING
- 641-011 RETAINER
- 442-004 KEY
- 442-045 CLUTCH KEY
- 701-050 C'SHAFT SPINDLE
- 442-046 PULLEY KEY
- 295-105 ZERK FITTING
- 641-011 RETAINER
- 641-051 RETAINER (2 req'd.)
- 044-017 BEARING
- 641-011 RETAINER
- 442-004 KEY
- 442-045 CLUTCH KEY
- 701-050 C'SHAFT SPINDLE
- 442-046 PULLEY KEY
- 3.8 S.P. WASHER (4 req'd.)
- 3.8-16 HEX. FULL NUT (4 req'd.)
- 300-002 PULLEY FAN
- 5900-65 SLIDING C'SHAFT PULLEY ASSEMBLY (See Note*)
- 051-036 VARIABLE SPEED BELT
- 560-128 STATIONARY C'SHAFT PULLEY (See Note*)
- 051-047 TIMING BELT
- 641-011 RETAINER
- 699-142 SPACER
- 044-017 BEARING
- 641-011 RETAINER
- 699-142 SPACER
- 044-017 BEARING



IMPORTANT
THE PARTS ILLUSTRATED ON THIS PAGE ARE FOR LATHES SERIAL NUMBERS FROM 502100 TO

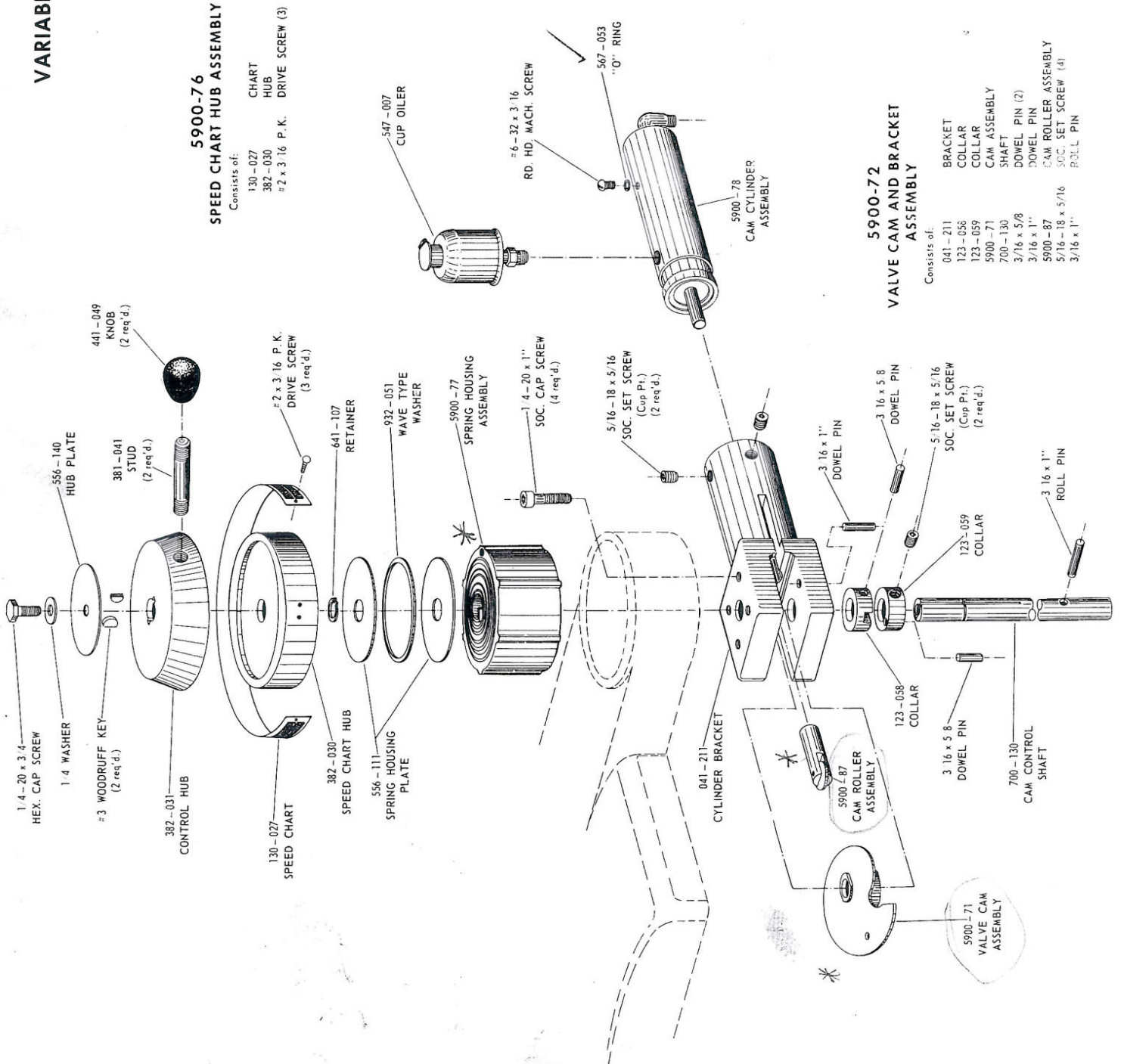
NOTE*
(MUST ORDER 5900-47 CLUTCH C'SHAFT SPINDLE ASSEMBLY FOR REPAIR.)

MOTOR BASE ASSEMBLY



IMPORTANT
 THE PARTS ILLUSTRATED ON
 THIS PAGE ARE FOR LATHES
 SERIAL NUMBERS FROM
 502100 TO _____

VARIABLE SPEED CONTROL



IMPORTANT
 THE PARTS ILLUSTRATED ON
 THIS PAGE ARE FOR LATHES
 SERIAL NUMBERS FROM
 502100 TO _____

VARIABLE SPEED MOTOR PULLEY ASSEMBLY

272-4230

5900-125

MOTOR VARI-PULLEY ASSEMBLY

Consists of:

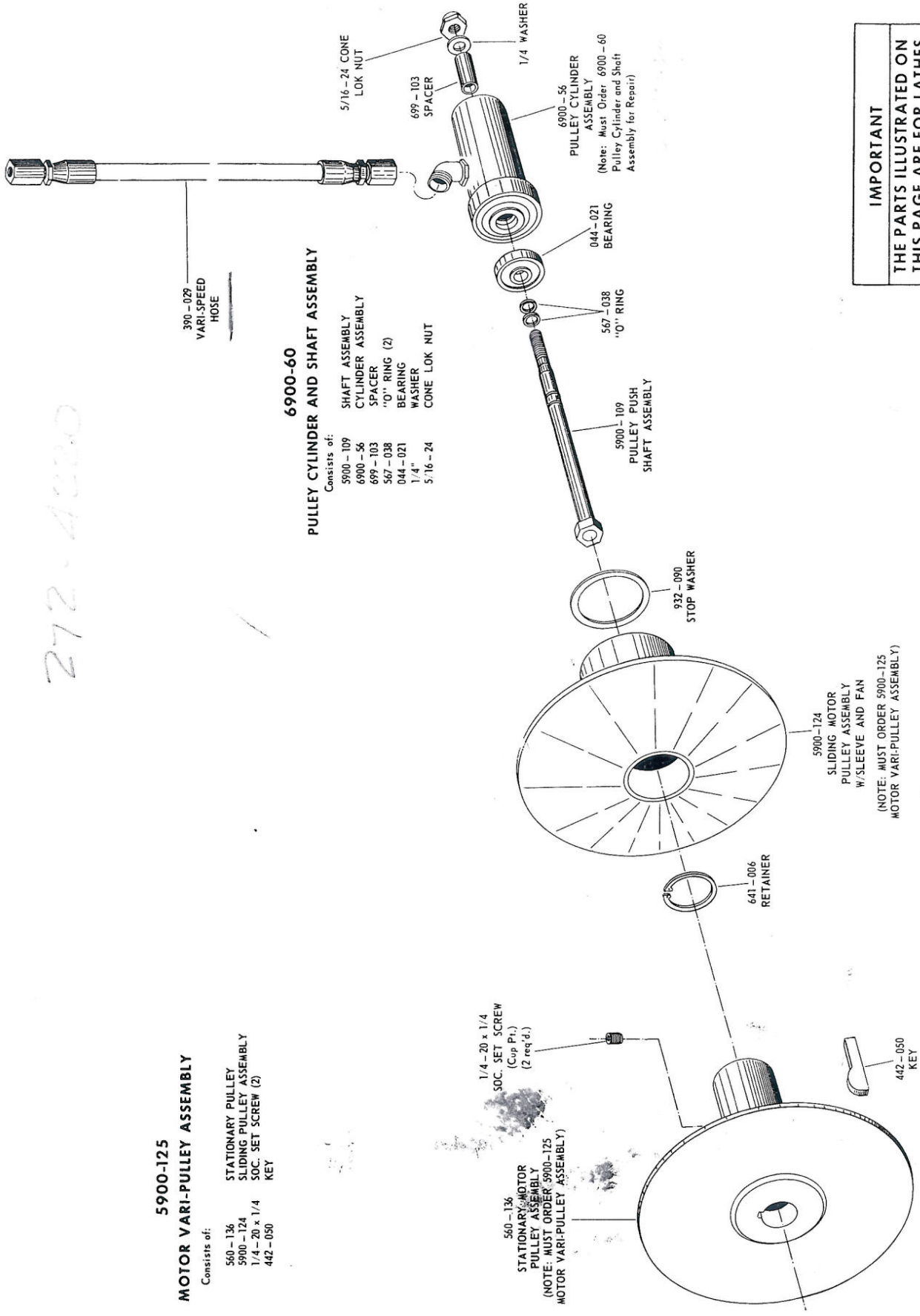
- 560-136 STATIONARY PULLEY
- 5900-124 SLIDING PULLEY ASSEMBLY
- 1/4-20 x 1/4 SOC. SET SCREW (2)
- 442-050 KEY

6900-60

PULLEY CYLINDER AND SHAFT ASSEMBLY

Consists of:

- 5900-109 SHAFT ASSEMBLY
- 6900-56 CYLINDER ASSEMBLY
- 699-103 SPACER
- 567-038 "O" RING (2)
- 044-021 BEARING
- 1/4" WASHER
- 5.716-24 CONE LOK NUT

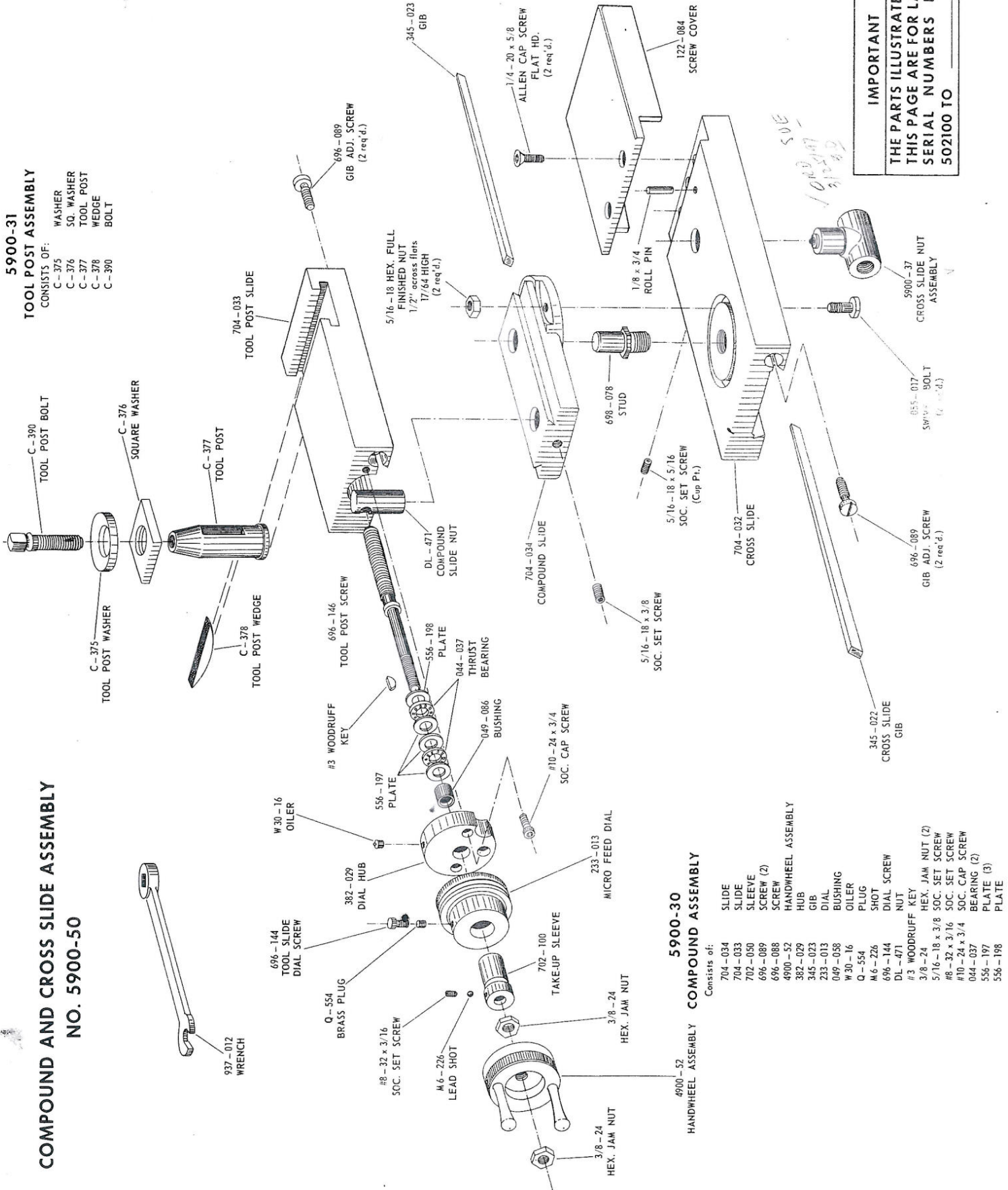


IMPORTANT
 THE PARTS ILLUSTRATED ON
 THIS PAGE ARE FOR LATHES
 SERIAL NUMBERS FROM
 502100 TO

COMPOUND AND CROSS SLIDE ASSEMBLY NO. 5900-50

5900-31 TOOL POST ASSEMBLY

CONSISTS OF:
C-375 WASHER
C-376 SO. WASHER
C-377 TOOL POST
C-378 WEDGE
C-390 BOLT



5900-30 HANDWHEEL ASSEMBLY COMPOUND ASSEMBLY

Consists of:

- 704-034 SLIDE
- 704-033 SLIDE
- 702-050 SLEEVE
- 696-089 SCREW (2)
- 696-088 SCREW
- 4900-52 HANDWHEEL ASSEMBLY
- 382-029 HUB
- 345-023 GIB
- 233-013 DIAL
- 049-058 BUSHING
- W30-16 OILER
- Q-554 PLUG
- M6-226 SHOT
- 696-144 DIAL SCREW
- DL-471 NUT
- #3 WOODRUFF KEY
- 3/8-24 HEX. JAM NUT (2)
- 5/16-18 x 3/8 SOC. SET SCREW
- #8-32 x 3/16 SOC. SET SCREW
- #10-24 x 3/4 SOC. CAP SCREW
- 044-037 BEARING (2)
- 556-197 PLATE (3)
- 556-198 PLATE

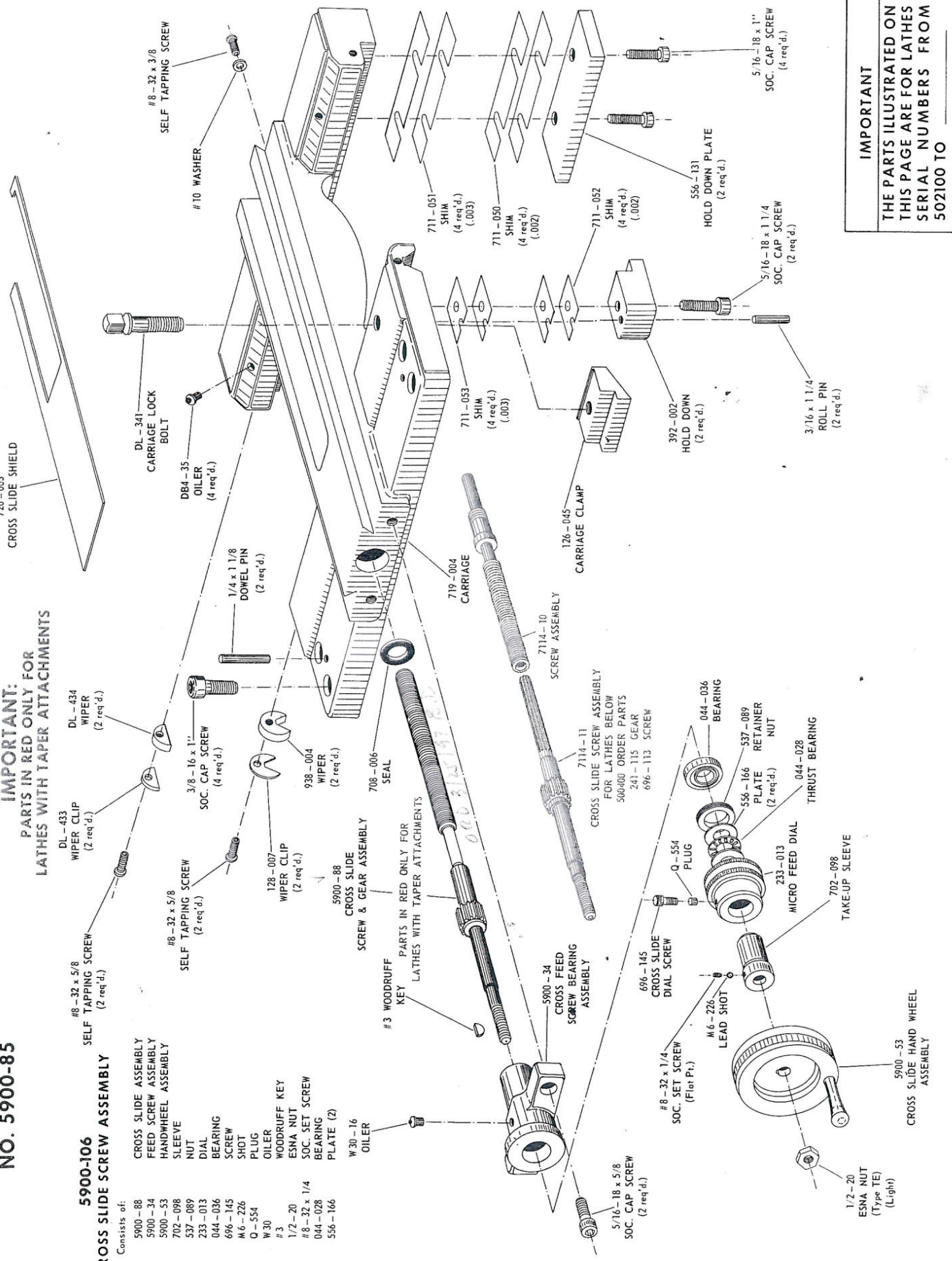
CARRIAGE SADDLE ASSEMBLY NO. 5900-85

IMPORTANT:
PARTS IN RED ONLY FOR
LATHES WITH TAPER ATTACHMENTS

5900-106 CROSS SLIDE SCREW ASSEMBLY

Consists of:

- 5900-88 CROSS SLIDE ASSEMBLY
- 5900-34 FEED SCREW ASSEMBLY
- 5900-53 HANDWHEEL ASSEMBLY
- 702-098 SLEEVE
- 537-089 DIAL
- 233-013 BEARING
- 044-036 SCREW
- 696-115 SHOT
- M 6-226 PLUG
- Q-554 OILER
- W 30 WOODRUFF KEY
- # 3 ESNA NUT
- 1/2-20 SOC. SET SCREW
- # 8-32 x 1/4 BEARING
- 044-028 PLATE (2)
- 556-166 W 30-16 OILER

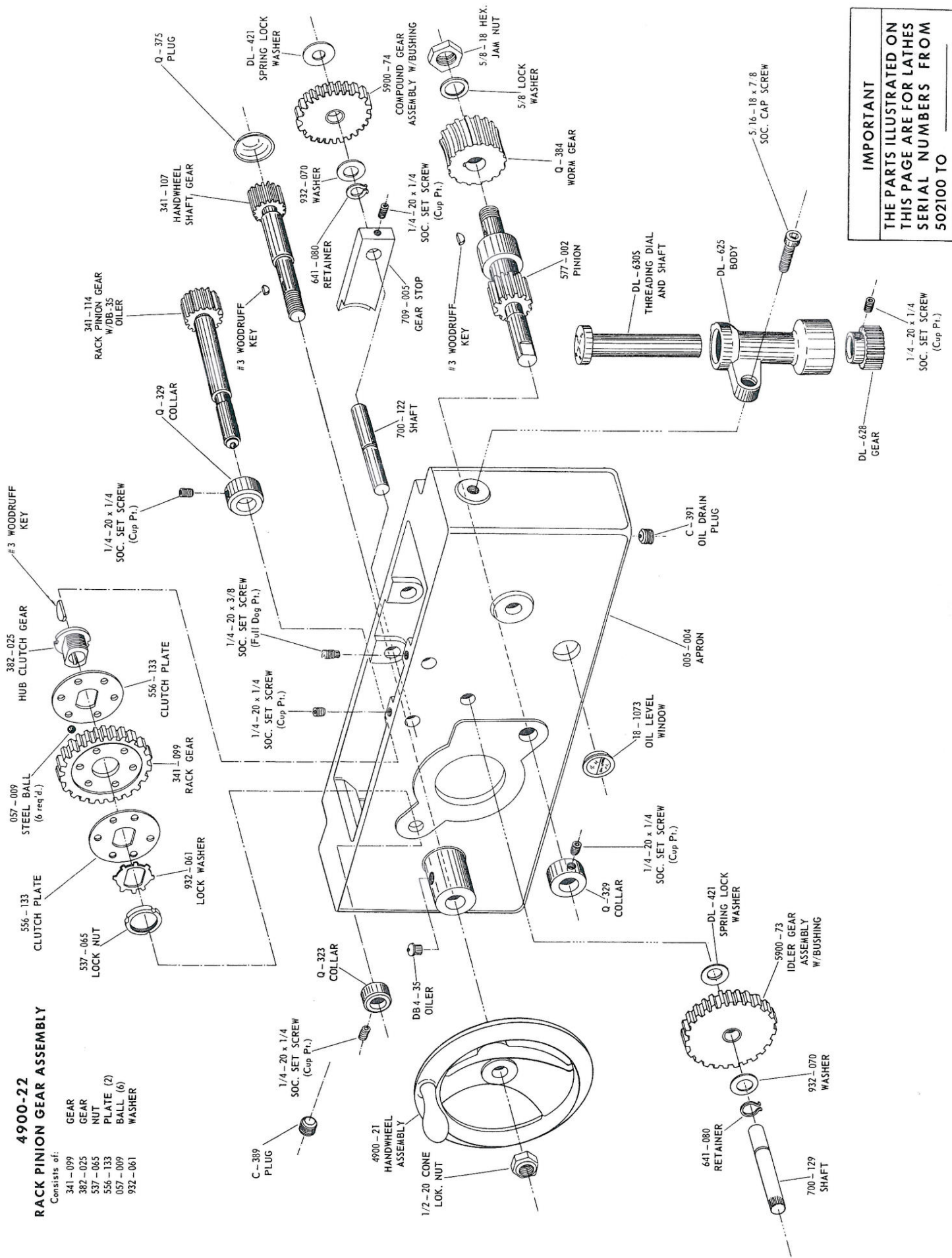


IMPORTANT
THE PARTS ILLUSTRATED ON
THIS PAGE ARE FOR LATHES
SERIAL NUMBERS FROM
502100 TO _____

4900-22
RACK PINION GEAR ASSEMBLY

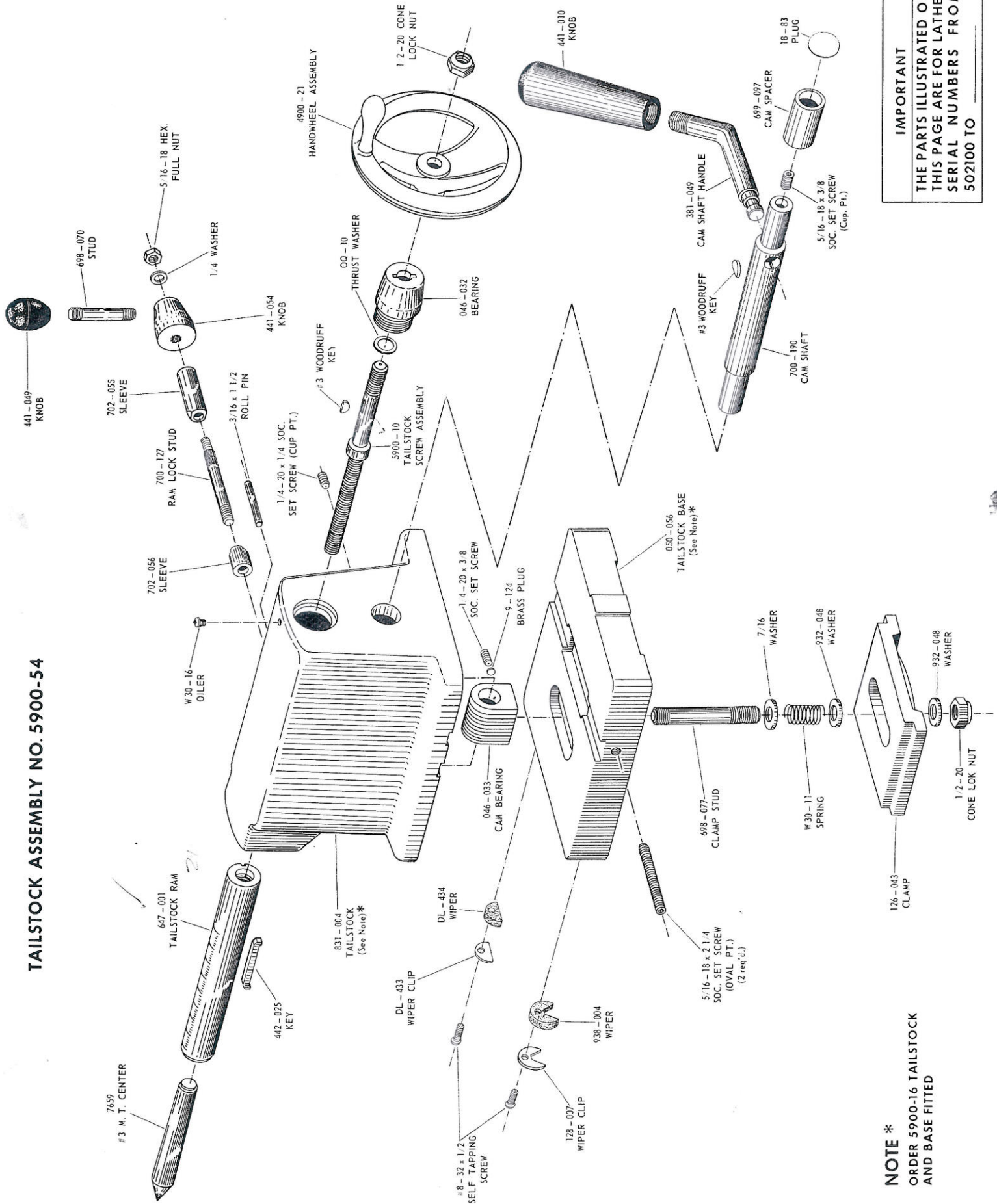
Consists of:

- GEAR 341-099
- GEAR 382-025
- NUT 537-065
- PLATE (2) 556-133
- BALL (6) 057-009
- WASHER 932-061



IMPORTANT
 THE PARTS ILLUSTRATED ON
 THIS PAGE ARE FOR LATHES
 SERIAL NUMBERS FROM
 502100 TO

TAILSTOCK ASSEMBLY NO. 5900-54



IMPORTANT
 THE PARTS ILLUSTRATED ON
 THIS PAGE ARE FOR LATHES
 SERIAL NUMBERS FROM
 502100 TO _____

NOTE *
 ORDER 5900-16 TAILSTOCK
 AND BASE FITTED