

To Protect Your Warranty, Use Only ENERPAC Hydraulic Oil.

Energac recommends that all kit components be installed to insure optimum performance of the repaired product.

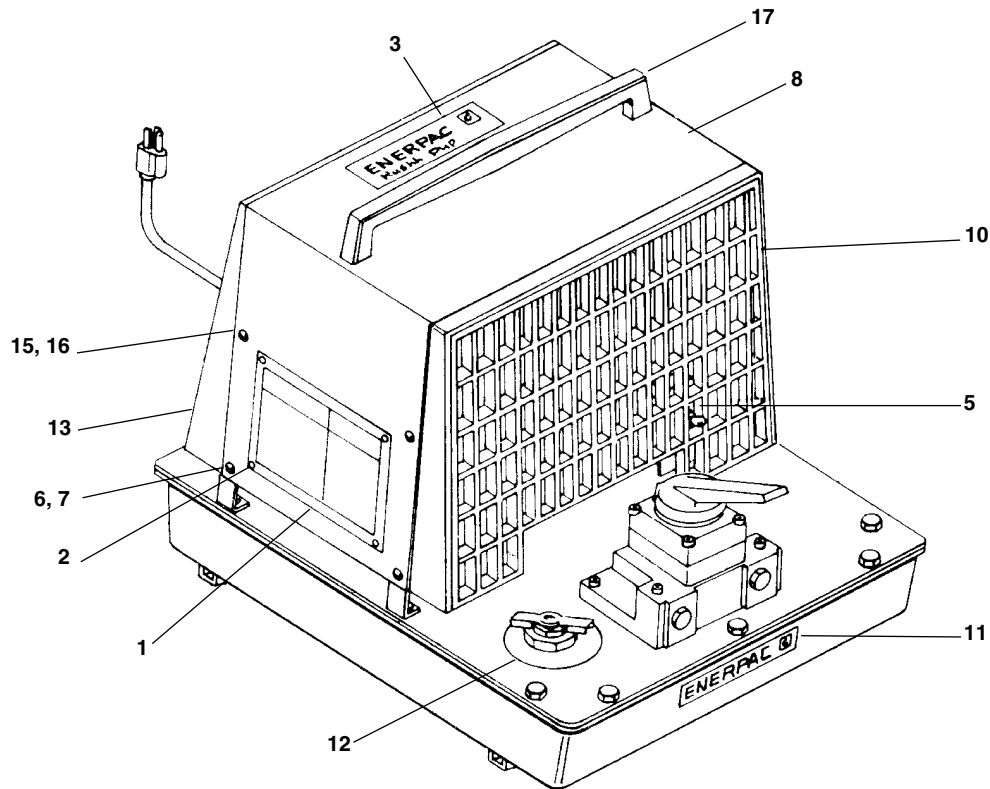


Figure 1

Repair Parts List for Figure 1

Item	Part Number	Qty.	Description	Item	Part Number	Qty.	Description
1	CN696026	1	Nameplate	8	CA232950	1	Cover
2	Y697003	4	Pop Rivet	10	CA225024SR	2	Grill
3	Y725026	1	Decal	11	G424026	2	Decal
5	CA380026	1	Nameplate (PER Models)	12	CN721026	1	Decal, Filler Plug
	Y565026	1	Nameplate (PEM Models)	13	M495017	1	Clip, Cord
Ref.	CA228950W	1	Grill and Cover Assembly	15	F866028	4	Machine Screw
6	Standard Hardware	4	Machine Screw #10-24 UNC x .50 Lg.	16	M783055	4	Nut
7	M783055	4	Nut	17	Y175950	1	Handle Assembly

Pump Model	Valve Type	Motor	Switch Type
PEM-2022	3-way Manual, VM-2	115/230V, Single Phase, 60 Cycle	Run-Jog
PEM-2032	3-way Manual, VM-3	115/230, Single Phase, 60 Cycle	Run-Jog
PEM-2042	4-way Manual, VM-4	115/230, Single Phase, 60 Cycle	Run-Jog
PER-2032	3-way Manual, VS-3	115/230, Single Phase, 60 Cycle	Run-Off
PER-2042	4-way Manual, VS-4	115/230, Single Phase, 60 Cycle	Run-Off

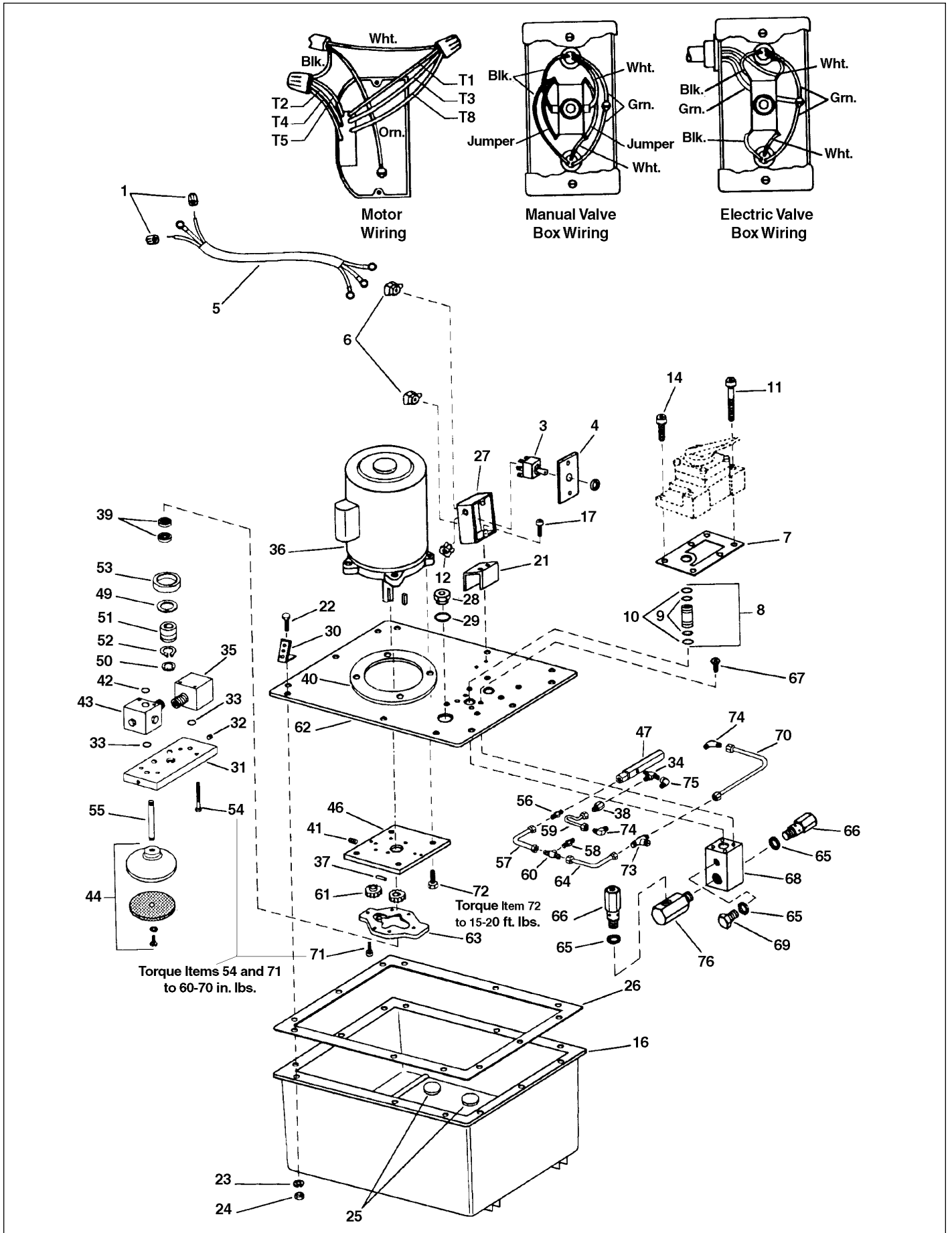


Figure 2

Repair Parts List for Figure 2

Item	Part Number	Qty.	Description	Item	Part Number	Qty.	Description
1	G536055	2	Wire Nut	40	★	1	Motor Gasket
2	Standard Hardware	2	Screw 10-24 UNC x .375 Lg.	41	R385300	1	Setscrew
3	DA5688372	1	Toggle Switch (PEM Models)	42	★	1	O-Ring
	DA4030372	1	Toggle Switch (PER Models)	43	CA241900SR	1	Piston Block Assembly
4	Y560098W	1	Handy Box Cover	44	CK819950SR	1	Filter Assembly
5	DA5736900	1	Motor Cord	46	CL396950SR	1	Gear Housing Assembly
6	DA5752007	2	Cord Bushing	47	C620900SR	1	By-pass Valve Assembly
7	★	1	Valve Gasket	49	Y552108	1	Thrust Washer
8	CN529950K	1	Connector Assy. (incl. Item 8, 9)	50	DA6048155	1	Bearing
9	★	2	Back-up Washer	51	Y520350	1	Eccentric
10	★	2	O-ring	52	A8063049	1	Retaining Ring
11	Standard Hardware	2	Capscrew (PEM Models) 5/16-18 UNC x 2.00 Lg.	CA193900SR	1	Bearing and Race Assembly	
				54	Standard Hardware	4	Capscrew 10-32 UNF x 2.00 Lg.
12	CA292007	1	Cord Bushing (PER Models)	55	CK823268	1	Intake Tube
14	Standard Hardware	3	Capscrew (PEM Models) 5/16-18 UNC x 1.00 Lg.	56	A8013094	1	Nipple
	Standard Hardware	6	Capscrew (PER Models) 5/16-18 UNC x 2.00 Lg.	57	CA66268	1	Tube Assembly
16	CB519025SR	1	2 Gallon Reservoir	58	SN125	1	Nipple
17	Standard Hardware	2	Capscrew #10-32UNF x 1.75 Lg.	59	CA64268	1	Tube Assembly
21	CA223111	1	Bracket	60	Y709096	1	Tee
22	Standard Hardware	12	Capscrew 1/4-20 UNC x .75 Lg.	61	Y734900SR	1	Gear and Bearing Assembly
23	Standard Hardware	12	Lockwasher 1/4 Bolt (med.)	62	CM409098	1	Reservoir Cover
24	Standard Hardware	12	Hex Nut 1/4-20 UNC	63	Y456101	1	End Plate
25	C187018	2	Magnet	64	Y648268	1	Tube Assembly
26	★	1	Reservoir Gasket	65	★	3	Gasket
27	CA221980	1	Handy Box	66	P181190W	1	Relief Valve
28	CA563024SR	1	Filler Plug (incl. Item 29)	67	Standard Hardware	4	Capscrew Ft. Hd. 1/4-28 UNF x .62 Lg.
29	★	1	O-ring	68	Y927038	1	Adaptor Block
30	CL397111	4	Bracket	69	AJ100061	1	Plug
31	DA6074101	1	Supercharge Block	70	Y524268	1	Tube Assembly
32	A1007245	1	Flush Plug	71	Standard Hardware	4	Capscrew 3/8-16 UNF x 1.00 Lg.
33	★	2	O-ring	72	Standard Hardware	6	Capscrew 3/8-16 UNF x 1.00 Lg.
34	Y934096	1	Tee	73	Y530096	1	Tee
35	CA235900SR	1	Piston Block Assembly	74	B202291	2	Elbow
36	CM392259	1	Motor	75	Y714291	1	Elbow
37	Y710061	1	Pin	76	CN461038	1	Adaptor
38	Y941906	1	Nipple	-	CA406008	1	Plug and Cord Assy. (Not Shown)
39	★	2	Oil Seal				

★ Items included in and available only as part of Repair Kit PEM2000K.

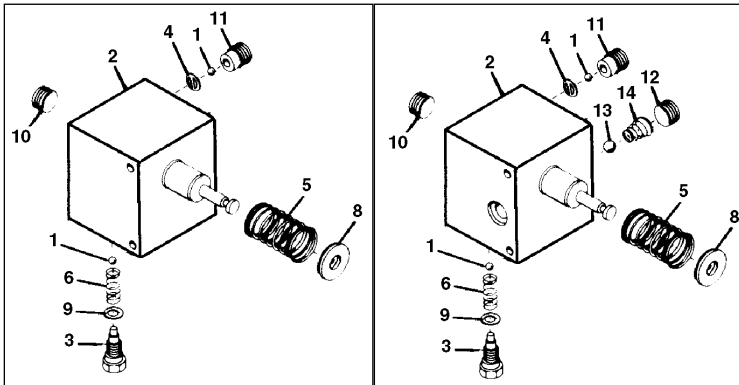


Figure 3a, Pump Assembly CA235.900SR **Figure 3b, Pump Assembly CA241.900SR**

Repair Parts List for Figure 3a / 3b

Item	Part Number	Qty.	Description
1	★	2	Ball
2	CA429900	1	Body Assembly (CA241900)
2	CA428900	1	Body Assembly (CA235.900)
3	M80006	1	Plug
4	★	1	Gasket
5	★	1	Spring
6	★	1	Spring
7	A1007245	1	Plug
8	Y866418	1	Plate, Spring
9	★	1	Gasket
11	★	1	Intake, Seat
12	* A1007245	1	Plug, Pipe
13	**	1	Ball
14	* CA978110	1	Spring

* Starred items are included in Repair kit CA235900K and CA241900K
* CA241900 only

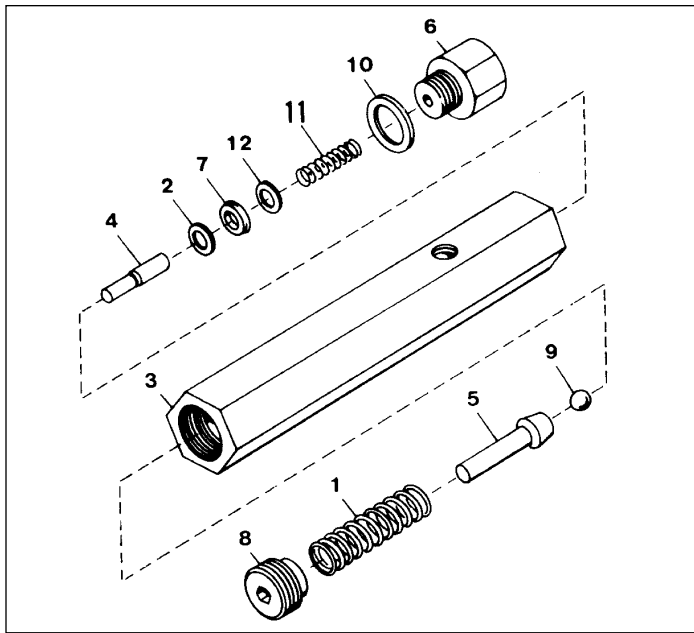


Figure 4,
By-pass Valve C620900SR

Repair Parts List for Figure 4

Item	Part Number	Qty.	Description
1	A109164	1	Spring
2	★	1	Washer, Backup
3	C620190	1	Body, Valve
4	C622339	1	Plunger
5	C623160	1	Retainer, Ball
6	C624038	1	Adaptor
7	★	1	U-cup
8	C641087	1	Screw, Adjusting
9	★	1	Ball
10	★	1	Gasket
11	S4375	1	Spring
12	★	1	Backup

★ Starred items are included in Repair Kit C620900K.

NOTE: Repair Kits CA235900K, CA241900K and C620900K are included in PEM-2000K Pump Kit.

Enerpac Worldwide Locations

Australia
ENERPAC, Applied Power
Australia Ltd.
Block V Unit 3
Regents Park Estate
391 Park Road
Regents Park NSW 2143
(P.O. Box 261) Australia
Tel: +61 297 438 988
Fax: +61 297 438 648

Brazil
Power Packer do Brasil Ltda.
Rua dos Inocentes, 587
04764-050 - Sao Paulo (SP)
Tel: +55 11 5687 2211
Fax: +55 11 5686 5583
Toll Free in Brazil:
Tel: 000 817 200 6718
vendabrasil@enerpac.com

Canada
Actuant Canada Corporation
6615 Ordan Drive, Unit 14-15
Mississauga, Ontario L5T 1X2
Tel: +1 905 564 5749
Fax: +1 905 564 0305
Toll Free:
Tel: +1 800 268 4987
Fax: +1 800 461 2456
Technical Inquiries:
techservices@enerpac.com

China
Actuant China Ltd.
1F, 269 Fute N. Road
Waigaoqiao Free Trade Zone
Pudong New District
Shanghai, 200 131 China
Tel: +86 21 5866 9099
Fax: +86 21 5866 7156

Actuant China Ltd. (Beijing)
709A Xin No. 2
Diyang Building
Dong San Huan North Rd.
Beijing City, 100028 China
Tel: +86 10 845 36166
Fax: +86 10 845 36220

Eastern Europe
Applied Power International S.A.
Case postale 130
CH-1213 Onex-Genève
Switzerland
Tel: +49 (211) 47149 44
Fax: +49 (211) 47149 40

France, Greece, Africa
ENERPAC S.A.
B.P. 200
Parc d'Activités
du Moulin de Massy
F-91882 Massy CEDEX
(Paris) France
Tel: +33 1 601 368 68
Fax: +33 1 692 037 50

Germany, Austria
ENERPAC
Applied Power GmbH
P.O. Box 300113
D-40401 Düsseldorf
Germany
Tel: +49 211 471 490
Fax: +49 211 471 49 28

India
ENERPAC Hydraulics
(India) Pvt. Ltd.
Plot No. A/571
MIDC, TTC Industrial Area
Mahape-400 701
Navi Mumbai, India
Tel: +91 22 778 1779
Fax: +91 22 778 1473

Italy
ENERPAC
Applied Power Italiana S.p.A.
Via Canova 4
20094 Corsico (Milano)
Tel: +39 02 4861 111
Fax: +39 02 4860 1288

Japan
Applied Power Japan Ltd.
1-1-11, Shimomae
Toda-shi
Saitama Pref.
Japan 335-0016
Tel: +81 48 430 2311
Fax: +81 48 430 1117

◆ e-mail: info@enerpac.com

Mexico
ENERPAC Applied Power
Mexico S. de R.L. de C.V.
Avenida Principal
La Paz #100
Fracc. Industrial La Paz
42092 Pachuca, Hidalgo
Tel: +52 771 71851 60
+52 771 71870 22
Fax: +52 771 71352 32
Toll Free in Mexico:
Tel: 001 800 590 0130

**The Netherlands, Belgium, Luxembourg,
Sweden, Denmark, Norway, Finland**
ENERPAC B.V.
Storkstraat 25
P.O. Box 269, 3900 AG Veenendaal
The Netherlands
Tel: +31 318 535 911
Fax: +31 318 525 613
+31 318 535 848

**Russia and CIS
(excl. Caspian Sea Countries)**
ENERPAC
Leninsky Prospect 95A
117313, Moscow, Russia.
Tel/Fax: +7(095) 936-2005
Tel/Fax: +7(095) 198-3094
Tel/Fax: +7(095) 938-4655
Mobil: +7(903) 731-9558

Singapore
Actuant Asia Pte. Ltd.
25 Serangoon North Ave. 5
#03-01 Keppel Digihub
Singapore 554914
Thomson Road
P.O. Box 114
Singapore 915704
Tel: +65 64 84 5108
+65 64 84 3737
Fax: +65 64 84 5669

South Korea
ENERPAC
Applied Power Korea Ltd.
163-12 Dodang-Dong
Wonmi-Ku, Buchun-shi
Kyunggi-Do
Republic of Korea
Tel: +82 32 675 08 36
Fax: +82 32 675 30 02/73

◆ internet: www.enerpac.com

Spain, Portugal
ENERPAC
C/San José Artesano 8
Pol. Ind.
28108 Alcobendas
(Madrid) Spain
Tel: +34 91 661 11 25
Fax: +34 91 661 47 89

**Middle East, Turkey
and Caspian Sea**
ENERPAC Middle East FZE
P.O. Box 18004
Jebel Ali, Dubai
United Arab Emirates
Tel: +971 (0)4 8872686
Fax: +971 (0)4 8872687

United Kingdom, Ireland
ENERPAC Ltd., P.O. Box 33
New Romney, TN28 8QF
United Kingdom
Tel: +44 01527 598 900
Fax: +44 01527 585 900

**USA, Latin America
and Caribbean**
ENERPAC
P.O. Box 3241
6100 N. Baker Road
Milwaukee, WI 53209 USA
Tel: +1 262 781 6600
Fax: +1 262 783 9562

User inquiries:
+1 800 433 2766
Distributor inquiries/orders:
+1 800 558 0530
Technical Inquiries:
techservices@enerpac.com

All Enerpac products are guaranteed against defects in workmanship and materials for as long as you own them.
For your nearest authorized Enerpac Service Center, visit us at www.enerpac.com

10/30/02