

**CSG 649 AND CSG 649P
300 CID
GASOLINE ENGINE AND POWER UNIT**

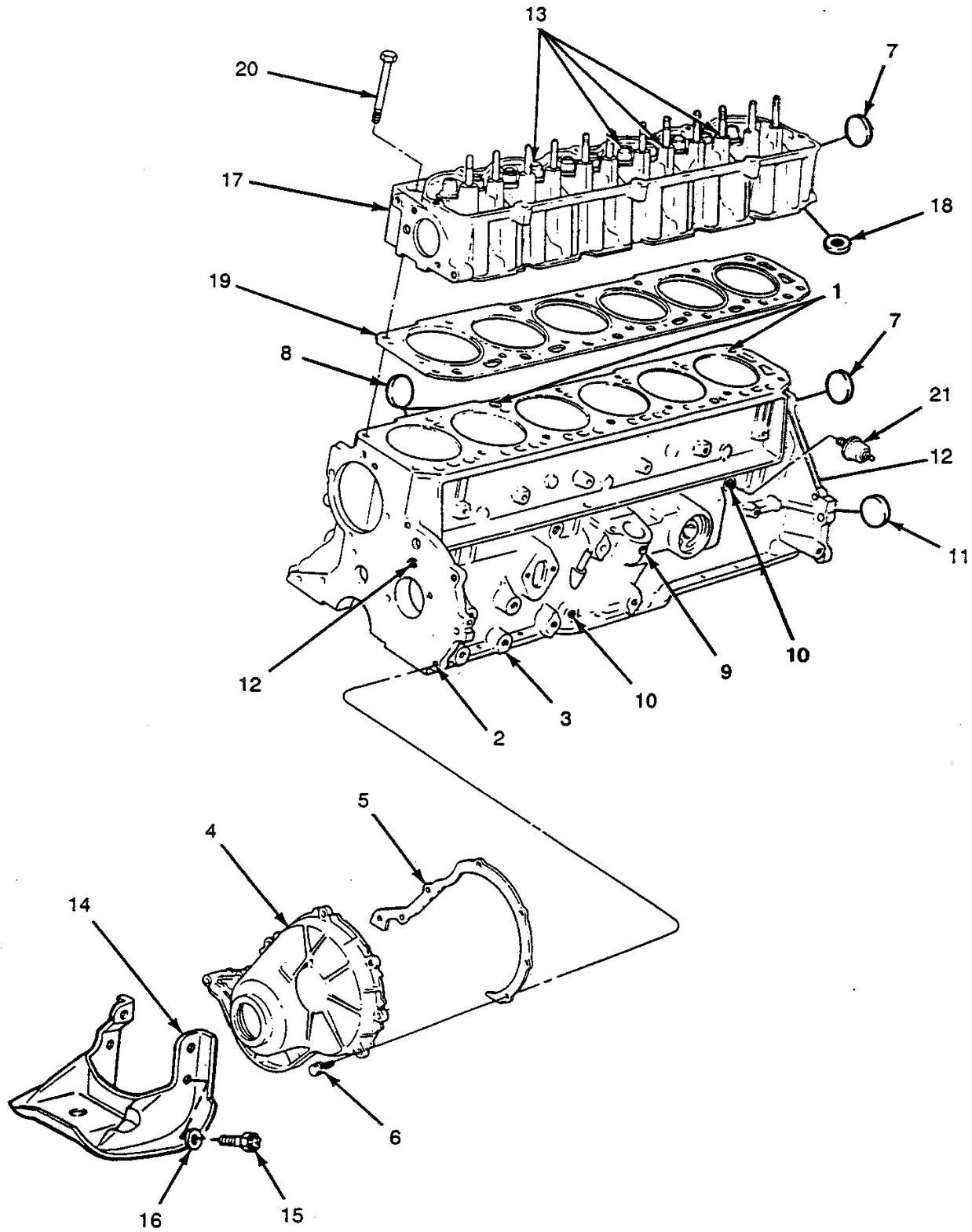


Index

AIR CLEANER	64-66-68-70
ALTERNATOR	46-48
BEARINGS - CONNECTING ROD	6
BEARINGS - CRANKSHAFT MAIN	10
CAMSHAFT AND RELATED PARTS	8
CARBURETOR	44
CLUTCH AND RELATED PARTS	12-14
CONNECTING ROD	6
CONTROL - CHOKE	76-80
CONTROL - THROTTLE	76-80
CRANKSHAFT AND RELATED PARTS	10
CYLINDER ASSEMBLY	2
CYLINDER BLOCK AND PLUGS	2
CLYLINDER HEAD	2
DISTRIBUTOR	56-58
EXHAUST PIPES	42
FAN AND RELATED PARTS	36-38
FLYWHEEL AND RING GEAR	12-14
FRONT COVER - CYLINDER	2
GASKET SETS - ENGINE LOWER AND UPPER	4
GOVERNOR	60
IGNITION COIL	56
INSTRUMENTS	76-78
MANIFOLDS - INTAKE & EXHAUST	42
MUFFLER	42
OIL FILTER	20
OIL LEVEL INDICATOR	20
OIL PAN	20
PISTON	6
POWER TAKE-OFF	30-32-34
PLATE - REAR ENGINE	12-14
PUMP - FUEL	40
PUMP - OIL	20
PUMP - WATER	36
RADIATOR AND RELATED PARTS	62
SHEET METAL - POWER UNIT	72-74
SPARK PLUGS	58
STARTER	50-52-54
SUPPORT - ENGINE	2-62
TACHOMETER	76-78
THERMOSTAT AND HOUSING	38
TRANSMISSION	22-24-26-28
VALVE AND VALVE TRAIN PARTS	16-18
VOLTAGE REGULATOR	46-48-78



CSG 649 AND CSG 649P
300 CID
GASOLINE ENGINE AND POWER UNIT



CYLINDER BLOCK, HEAD AND RELATED PARTS — TYPICAL

IE-31A

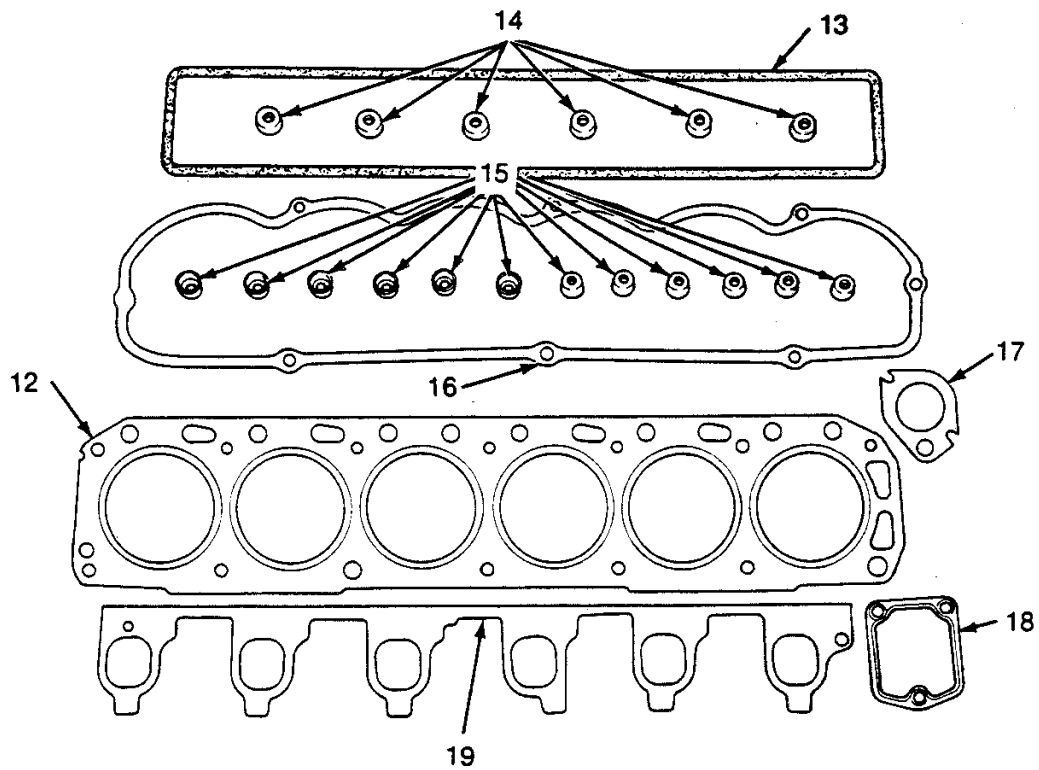
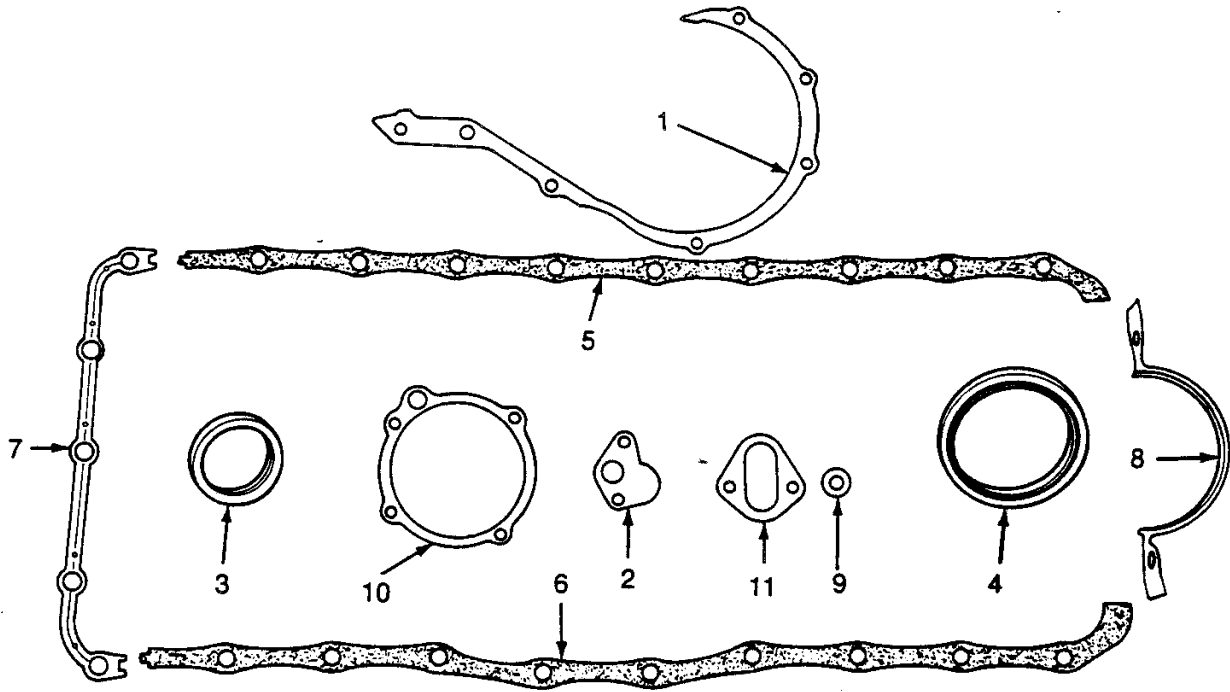
**CSG 649 AND CSG 649P
300 CID
GASOLINE ENGINE AND POWER UNIT**



REF. NO.	YEAR	PART NUMBER	DESCRIPTION	QTY
				300
CYLINDER BLOCK, HEAD AND RELATED PARTS				
DOWEL - CYLINDER HEAD TO BLOCK				
1	70/	C20Z-6A008-A	Dowel - Cylinder Head to Block - 1/2 Diameter	2
CYLINDER ASSEMBLY				
INCLUDES CYLINDER BLOCK WITH ALL INTERNAL PARTS OF THE ENGINE - DOES NOT INCLUDE OIL PAN, OIL PUMP, CYLINDER HEAD OR CYLINDER FRONT COVER				
2	70/	F2JE-6009-AA	Cylinder Assembly	1
BLOCK ASSEMBLY - CYLINDER				
3	70/	F4JE-6010-GA	Block	1
COVER ASSEMBLY - CYLINDER FRONT				
4	70/	E5TZ-6019-H	Cover Assembly - Use E6DZ-6700-A Seal	1
5	70/	E6TZ-6020-B	Gasket - Front Cover	1
6	70/	391400-S	Bolt - 5/16-18 x .875	6
PLUG - ENGINE				
7	70/	C5AZ-6026-J	Standard - 2.078 OD - Rear Of Block And Cylinder Head	2
8	70/	C5AZ-6026-H	.060 O/S - Rear Of Block And Cylinder Head	A/R
	70/	E6DZ-6026-C	Standard - 1.625 OD - Clean Out Holes in Block	5
9	70/	C5AZ-6026-F	.060 Oversize - Clean out Holes in Block	A/R
	70/	C9AZ-6026-A	Standard - .259 OD - Distributor Oil Access Hole in Block	1
10	70/	C9AZ-6026-B	.060 O/S - Distributor Oil Access Hole in Block	A/R
	70/	F1ZZ-6026-B	1/4 NPT	1
11	70/	C5AZ-6266-A	Plug - Standard - Camshaft Rear Bearing	1
12	70/	E9SZ-6266-A	Plug - .060 OS - Camshaft Rear Bearing	A/R
13	70/	87838-S101	3/8 NPT	3
13	70/	F2ZZ-6026-A	3/4 NPT - Core Holes in Top Of Cylinder Head	4
SUPPORT - ENGINE FRONT				
14	70/	F7JL-5019-BA	Support	1
15	70/	43039-S2	Bolt - 7/16-14 x .875	4
16	70/	380079-S36	Washer - 7/16 Flat	4
HEAD ASSEMBLY - CYLINDER				
17	70/	F1JEM-6049-AA	* Cylinder Head Less Valves - With Exhaust Valve Seat Inserts	1
	70/	D8TZ-6049-S	* Cylinder Head Complete - With Exhaust Valve Seat Inserts	1
18	70/84		Cylinder Head Less Valves - Necessary To Use DOAZ-6A529-A Nuts (Rocker Arm Stud) On Units Built Prior to 1978	1
	85/	E5TZ-6049-B	Cylinder Head Less Valves	1
19	70/	C5TE-6057-A	Valve Seat Inserts	6
20	70/	FOUZ-6051-A	Gasket - Cylinder Head	1
20	70/	C2OZ-6065-B	Bolt - 7/16-14 x 3.94	14
SENDING UNIT - OIL PRESSURE				
21	70/86	B6AZ-9278-B	Sending Unit	1
	87/	E9HZ-9278-B	Sending Unit	1
* On Engines Built Prior To 1985 - It Is Necessary To Change The Washer Outlet Connection, Rocker Arms, Rocker Arm Cover, Rocker Arm Fulcrum Guide, Rocker Arm Fulcrum Seat Etc.				



CSG 649 AND CSG 649P
300 CID
GASOLINE ENGINE AND POWER UNIT



ENGINE GASKET SETS — TYPICAL

1E-32

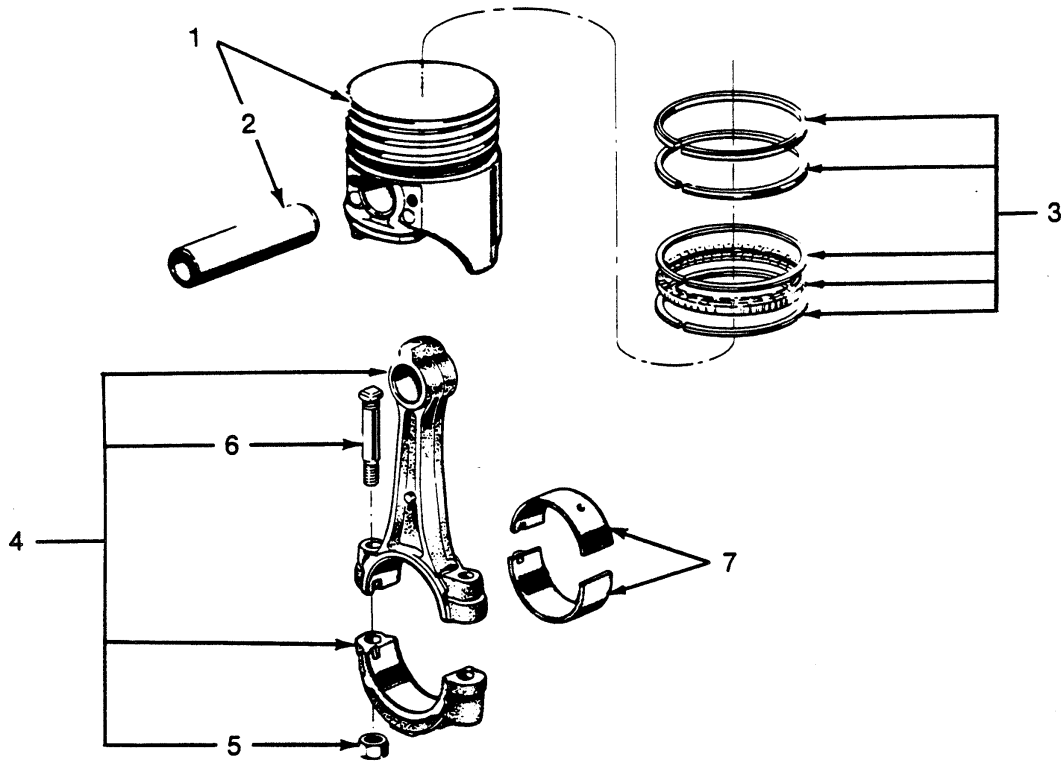
**CSG 649 AND CSG 649P
300 CID
GASOLINE ENGINE AND POWER UNIT**



REF. NO.	YEAR	PART NUMBER	DESCRIPTION	QTY
				300
GASKET SETS - ENGINE				
GASKET SET - LOWER				
	70/85	E3TZ-6E078-D	Gasket Set	1
			CONSISTS OF:	
1		C8AZ-6020-A	Gasket - Front Cover	1
2		D5TZ-6626-A	Gasket - Oil Pump Inlet	1
		EOTZ-6626-A	Gasket - Oil Pump Inlet	1
3		E5TZ-6700-C	Oil Seal - Front Cover - Rear Entry	1
4		E3TZ-6701-C	Seal - Crankshaft Rear	1
5		E3TE-6710-BA/NR	Gasket - Oil Pan - Right	1
6		E3TE-6711-BA/NR	Gasket - Oil Pan - Left	1
7		D6TE-6722-AA	Seal - Oil Pan - Front	1
8		D7TE-6723-AA/NR	Seal - Oil Pan - Rear	1
9		C2OZ-6734-A	Gasket - Oil Pan Drain Plug	1
10		C5AZ-8507-A	Gasket - Water Pump Mounting	1
11		A8TZ-9417-A	Gasket - Fuel Pump	1
	85/87	E5TZ-6E078-B	Gasket Set	1
			CONSISTS OF:	
1		E6TZ-6020-B	Gasket - Front Cover	1
2		EOTZ-6626-A	Gasket - Oil Pump Inlet	1
3		E6DZ-6700-A	Oil Seal - Front Cover - Front Entry	1
4		E5TZ-6701-C	Seal - Crankshaft Rear	1
5		E3TE-6701-BA/NR	Gasket - Oil Pan - Right	1
6		E3TE-6711-BA/NR	Gasket - Oil Pan - Left	1
7		D6TE-6722-AA	Seal - Oil Pan - Front	1
8		D7TE-6723-AA/NR	Seal - Oil Pan - Rear	1
9		C2OZ-6734-A	Gasket - Oil Pan Drain Plug	1
11		A8TZ-9417-A	Gasket - Fuel Pump	1
	88/	E8TZ-6E078-C	Gasket Set - One Piece Pan Gasket	1
			CONSISTS OF:	
1		E6TZ-6020-B	Gasket - Front Cover	1
2		EOTZ-6626-A	Gasket - Oil Pump Inlet	1
3		E6DZ-6700-A	Oil Seal - Front Cover - Front Entry	1
4		E7AZ-6701-A	Seal - Crankshaft Rear	1
5		E7TZ-6710-B	Gasket - Oil Pan - One Piece	1
9		C2OZ-6734-A	Gasket - Oil Pan Drain Plug	1
11		C3AZ-9417-C	Gasket - Fuel Pump	1
GASKET SET - VALVE GRIND				
	70/87	E3TZ-6079-E	Gasket Set	1
			CONSISTS OF:	
12		D2AZ-6051-A	Gasket - Cylinder Head	1
13		E4TZ-6521-A	Gasket - Push Rod Cover	1
14		B9A-6507-A	Grommet - Push Rod Cover Bolt	6
15		C7TE-6571-C	Seal - Valve Stem	6
		D6OZ-6571-A	Seal - Valve Stem	12
16		E5TZ-6584-D	Gasket - Rocker Arm Cover	1
17		E5TZ-8255-E	Gasket - Water Connector	1
18		C5AZ-9448-B	Gasket - Manifold	1
19		E5TZ-9439-C	Gasket - Intake Manifold	1
	88/	FOTZ-6079-B	Gasket Set	1
			CONSISTS OF:	
12		FOUZ-6051-A	Gasket - Cylinder Head	1
13		E4TZ-6521-A	Gasket - Push Rod Cover	1
14		B9A-6570-A	Grommet - Push Rod Cover Bolt	6
15		D6OZ-6571-A	Seal - Valve Stem	12
16		E9TZ-6584-B	Gasket - Rocker Arm Cover	1
17		E6TZ-8255-B	Gasket - Water Outlet Connection - LO Fan	1
19		E7TZ-9439-A	Gasket - Intake Manifold	1



CSG 649 AND CSG 649P
300 CID
GASOLINE ENGINE AND POWER UNIT



PISTON, CONNECTING ROD AND RELATED PARTS — TYPICAL

IE-33

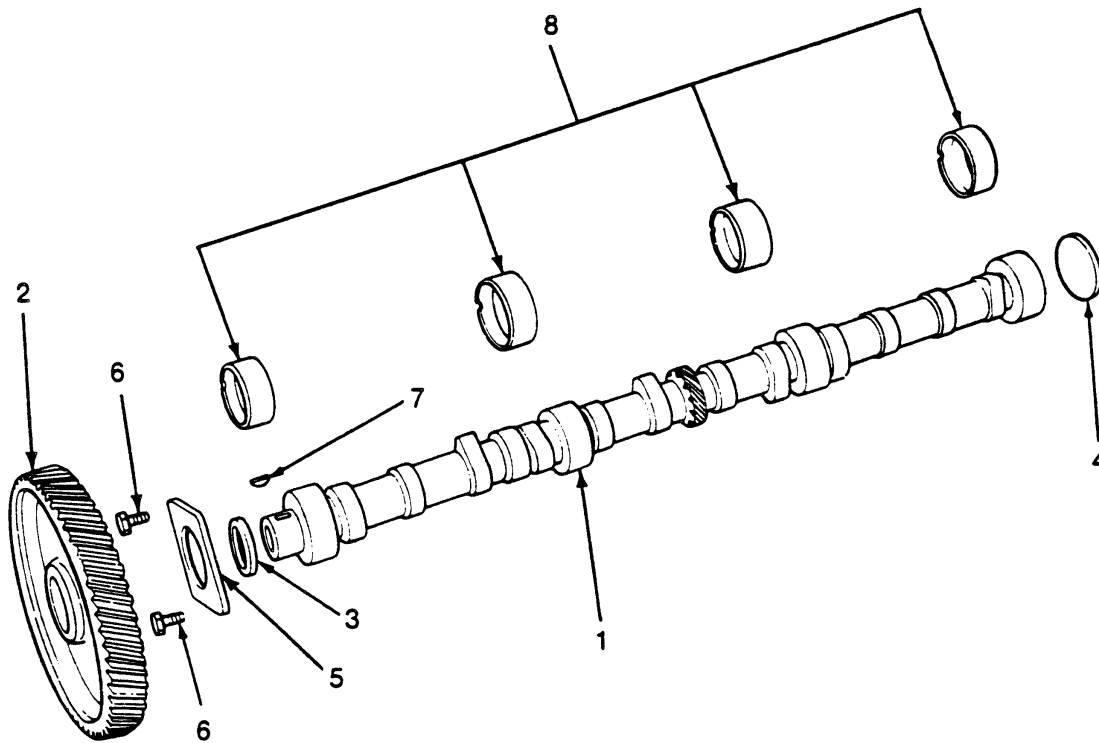
**CSG 649 AND CSG 649P
300 CID
GASOLINE ENGINE AND POWER UNIT**



REF. NO.	YEAR	PART NUMBER	DESCRIPTION	QTY
				300
			PISTON, CONNECTING ROD AND RELATED PARTS	
			PISTON ASSEMBLY INCLUDES FITTED PIN	
1	73/ 73/ 73/ 73/ 73/	E4TZ-6108-P E4TZ-6108-S D3TZ-6108-DB D3TZ-6108-EB D3TZ-6108-FB	Piston - Standard Piston - .003 O/S Piston - .020 O/S Piston - .030 O/S Piston - .040 O/S	6 A/R A/R A/R A/R
2	70/	C6AZ-6135-A	PIN - PISTON Pin - 3.17 Long - .975 OD	6
			RING SET - PISTON PARTIAL CONSISTS OF NECESSARY RINGS TO RE-RING 2 PISTONS	
			PISTONS	
3	70/73 70/73 70/73 70/73 73/ 73/ 73/ 73/	C3AZ-6148-F C3AZ-6148-G C3AZ-6148-H C3AZ-6148-J E4TZ-6148-A E4TZ-6148-B E3TZ-6148-C E4TZ-6148-D	Ring Set - Standard Ring Set - .020 O/S Ring Set - .030 O/S Ring Set - .040 O/S Ring Set - Standard Ring Set - .020 O/S Ring Set - .030 O/S Ring Set - .040 O/S	3 A/R A/R A/R 3 A/R A/R A/R
4	70/	E3TZ-6200-E	CONNECTING ROD ASSEMBLIES Rod Assembly - Connecting	6
5	70/	C9AZ-6212-B	Nut - 3/8-24	12
6	70/	C4OZ-6214-B	Bolt - Connecting Rod	12
			BEARING SET - CONNECTING ROD - UPPER AND LOWER	
7	70/ 70/ 70/ 70/ 70/ 70/	C5AZ-6211-R C5AZ-6211-S C5AZ-6211-T C5AZ-6211-U C5AZ-6211-V C5AZ-6211-Y	Bearing - Standard Bearing - .001 U/S Bearing - .002 U/S Bearing - .010 U/S Bearing - .020 U/S Bearing - .030 U/S	12 A/R A/R A/R A/R A/R



CSG 649 AND CSG 649P
300 CID
GASOLINE ENGINE AND POWER UNIT



CAMSHAFT, GEAR, BEARINGS AND RELATED PARTS — TYPICAL

IE-34

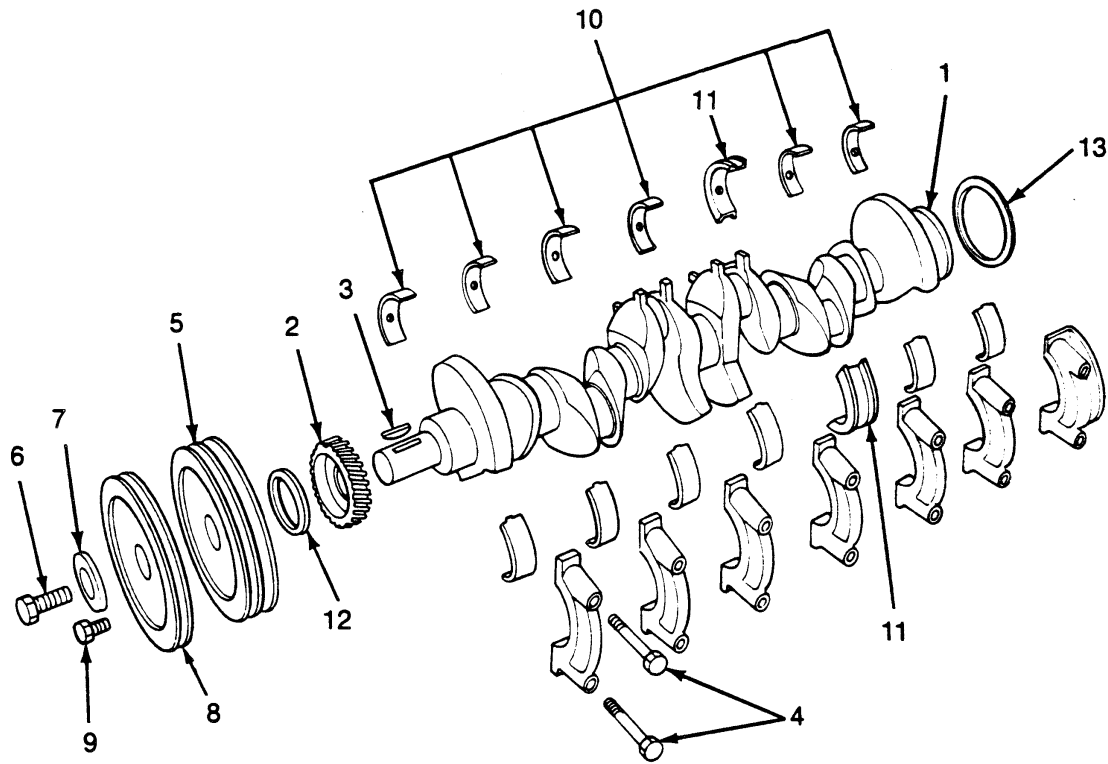
**CSG 649 AND CSG 649P
300 CID
GASOLINE ENGINE AND POWER UNIT**



REF. NO.	YEAR	PART NUMBER	DESCRIPTION	QTY
				300
CAMSHAFT, GEAR, BEARINGS AND RELATED PARTS				
1	70/	F2TZ-6250-C	Camshaft Assembly - Less Gear	1
2	70/	D3TZ-6256-C	* Gear Set - with Phenolic Tooth Cam Gear	1
	70/	E1TZ-6256-A	Gear - Camshaft - Steel Tooth Gear - Not Interchangeable With Phenolic Gear	1
3	70/	C5AZ-6265-A	Spacer - Cam Gear - 1-1/2 OD - 1-1/4 ID	1
4	70/	C5AZ-6266-A	Plug - Standard - Camshaft Rear Bearing	1
	70/	E9SZ-6266-A	Plug - .060 OS - Camshaft Rear Bearing	A/R
5	70/	C5AZ-6269-A	Plate - Cam Thrust - 1-5/8 ID - 13/64 Thick	1
6	70/	20346-S8	Bolt - Bracket To Block - 5/16-18 x .75	2
7	70/	74148-S	Key - Gear To Camshaft - 3/16 x 3/4	1
8	70/85	D5TZ-6262-B	Camshaft Bearing - Standard	4
	70/85	D5TZ-6262-C	Camshaft Bearing - .015 U/S	A/R
	85/	E5TZ-6261-A	Camshaft Bearing - Front And Rear - Standard	2
	85/	E5TZ-6261-B	Camshaft Bearing - Front And Rear - .015 U/S	A/R
	85/	E5TZ-6262-A	Camshaft Bearing - Front And Rear Intermediate - Standard	2
	85/	E5TZ-6262-B	Camshaft Bearing - Front And Rear Intermediate - .015 U/S	A/R
* Includes Camshaft Gear And Crankshaft Gear - Necessary To Replace As A Set				



CSG 649 AND CSG 649P
300 CID
GASOLINE ENGINE AND POWER UNIT



CRANKSHAFT AND RELATED PARTS — TYPICAL

IE-35

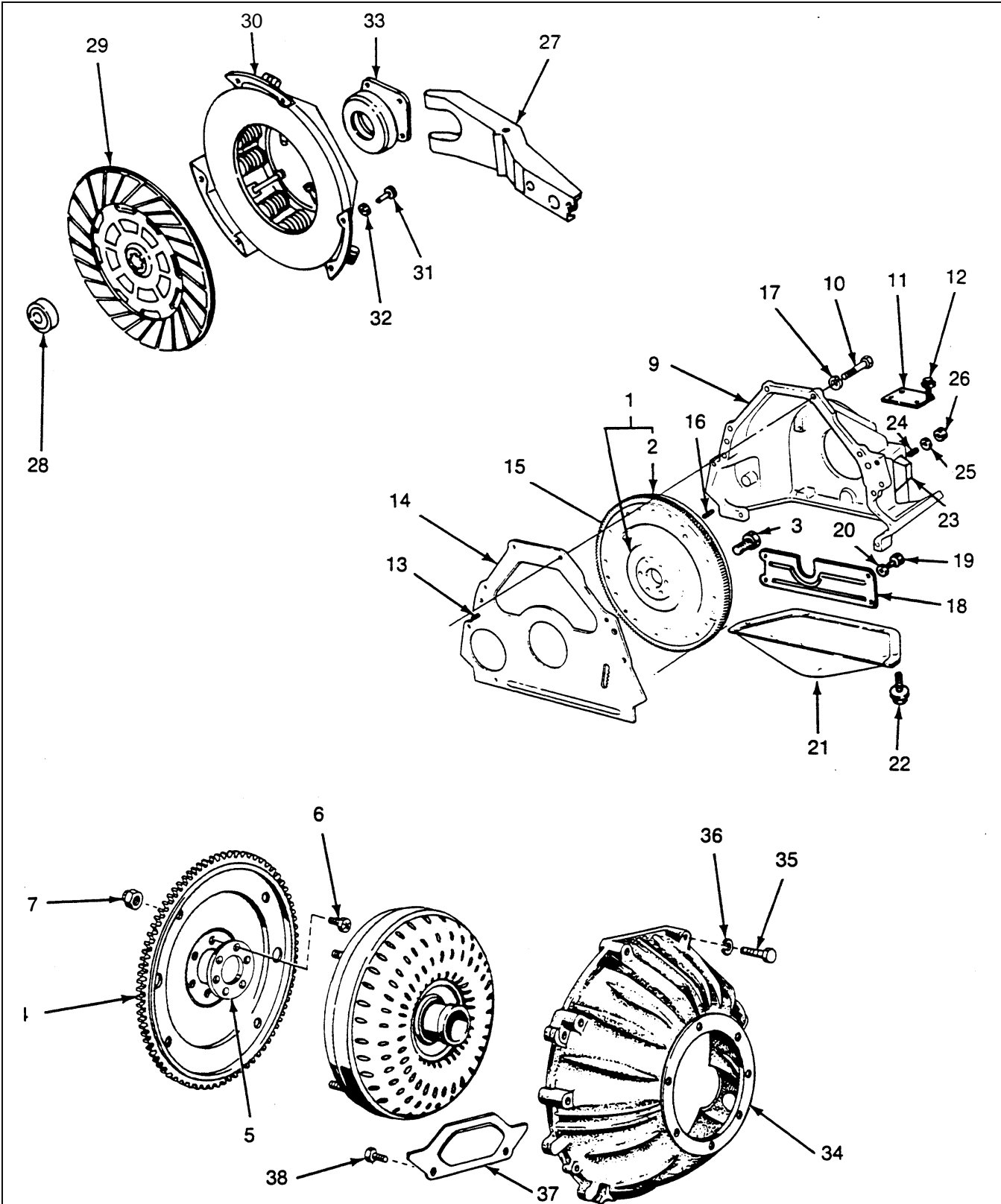
**CSG 649 AND CSG 649P
300 CID
GASOLINE ENGINE AND POWER UNIT**



REF. NO.	YEAR	PART NUMBER	DESCRIPTION	QTY
				300
CRANKSHAFT AND RELATED PARTS				
CRANKSHAFT ASSEMBLY				
1	70/	E3TZ-6303-C	Crankshaft	1
2	70/	D3TZ-6256-C	* Gear Set - With Phenolic Tooth Cam Gear	1
	70/	E1TZ-6306-A	Gear - Crankshaft - Use With Steel Cam Gear	1
3	70/	379153-S	Key - Gear To Crankshaft - 3/16 x 1-3/4	1
4	70/	C2OZ-6345-A	Bolt - 7/16-14 x 3.18	14
PULLEY - CRANKSHAFT				
INCLUDES DAMPER				
5	70/	E6JE-6316-AA	Pulley - Crankshaft - Double Sheave	1
6	70/	F2TZ-6A340-A	Bolt - 5/8-18 x 1-3/4 - Pulley To Crankshaft	1
7	70/	C3OZ-6378-A	Washer - Crankshaft Pulley Retaining	1
8	70/	C5JZ-6A312-A	Pulley Assembly - Crankshaft outer - Double Sheave	1
9	70/	42999-S8	Bolt - 3/8-16 x 1.12 - Self Locking	3
BEARINGS - CRANKSHAFT MAIN				
10	70/	C5TZ-6333-AA	Main Bearing - Lower - Standard	6
	70/	C5TZ-6333-AB	Main Bearing - .001 U/S	A/R
	70/	C5TZ-6333-AC	Main Bearing - .002 U/S	A/R
	70/	C5TZ-6333-AD	Main Bearing - .010 U/S	/R
	70/	C5TZ-6333-AE	Main Bearing - .020 U/S	A/R
	70/	C5TZ-6333-AF	Main Bearing - .030 U/S	A/R
	70/	D4FZ-6333-A	Main Bearing - Upper - Standard	6
	70/	D4FZ-6333-B	Main Bearing - .001 U/S	A/R
	70/	D4FZ-6333-C	Main Bearing - .002 U/S	A/R
	70/	D4FZ-6333-D	Main Bearing - .010 U/S	A/R
	70/	D4FZ-6333-E	Main Bearing - .020 U/S	A/R
	70/	D4FZ-6333-F	Main Bearing - .030 U/S	A/R
11	70/	D4FZ-6337-A	Thrust Bearing - Upper - Standard	1
	70/	D4FZ-6337-B	Thrust Bearing - .001 U/S	A/R
	70/	D4FZ-6337-C	Thrust Bearing - .002 U/S	A/R
	70/	D4FZ-6337-D	Thrust Bearing - .010 U/S	A/R
	70/	D4FZ-6337-E	Thrust Bearing - .020 U/S	A/R
	70/	D4FZ-6337-F	Thrust Bearing - .030 U/S	A/R
	70/	D4FZ-6337-G	Thrust Bearing - Lower - Standard	1
	70/	D4FZ-6337-H	Thrust Bearing - .001 U/S	A/R
	70/	D4FZ-6337-J	Thrust Bearing - .002 U/S	A/R
	70/	D4FZ-6337-K	Thrust Bearing - .010 U/S	A/R
	70/	D4FZ-6337-L	Thrust Bearing - .020 U/S	A/R
	70/	D4FZ-6337-M	Thrust Bearing - .030 U/S	A/R
SEALS - CRANKSHAFT - FRONT AND REAR				
12	70/85	E5TZ-6700-C	Oil Seal - Front Cover - Rear Entry	1
	85/	E6DZ-6700-A	Oil Seal - Front Cover - Front Entry	1
13	70/	F1TZ-6701-A	Oil Seal - Crankshaft - Rear	1
* Includes Camshaft Gear And Crankshaft Gear - Necessary To Replace As A Set				



CSG 649 AND CSG 649P
300 CID
GASOLINE ENGINE AND POWER UNIT



FLYWHEEL HOUSING, FLYWHEEL, CLUTCH, CONVERTER AND RELATED PARTS — TYPICAL

IE-36A

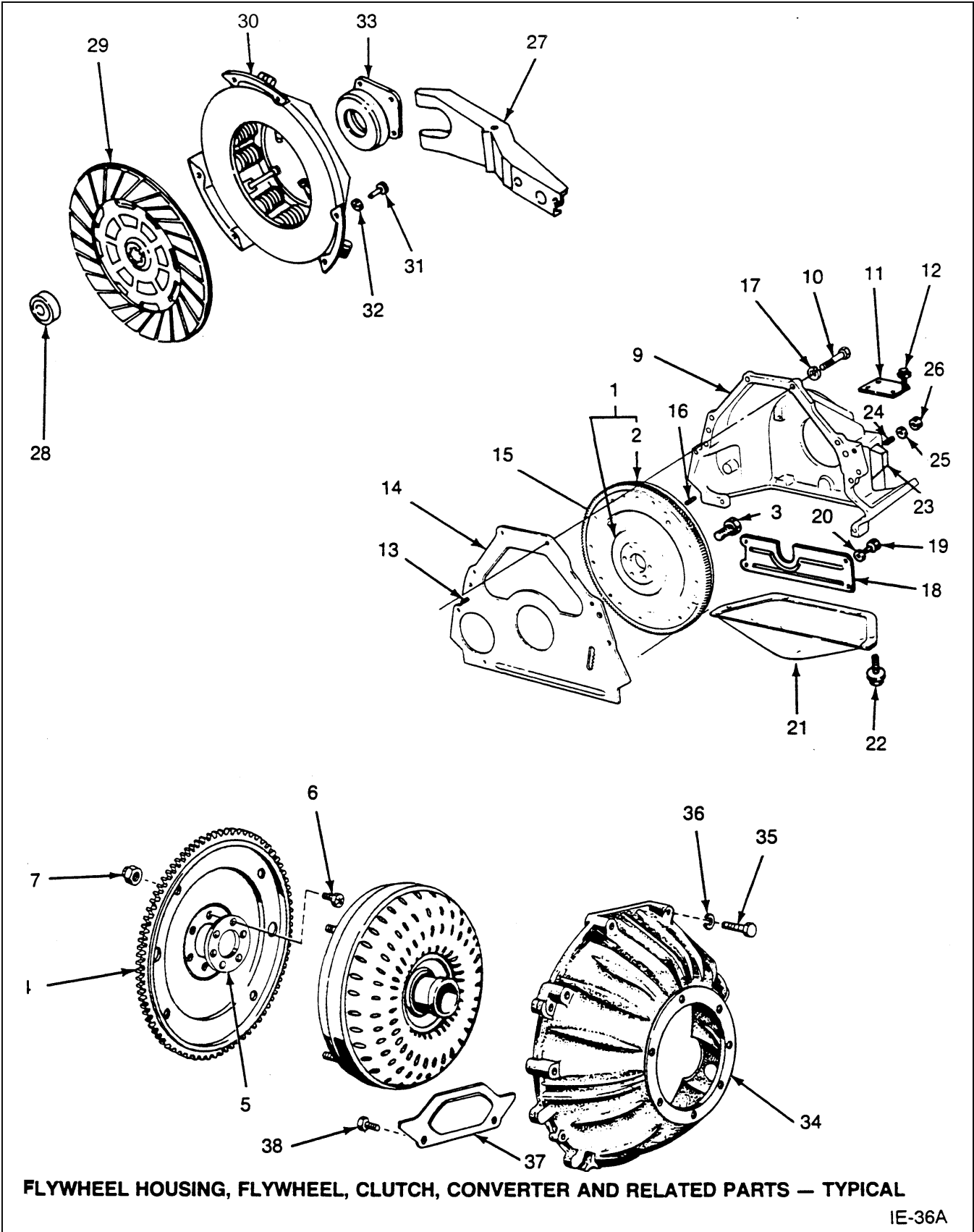
**CSG 649 AND CSG 649P
300 CID
GASOLINE ENGINE AND POWER UNIT**



REF. NO.	YEAR	PART NUMBER	DESCRIPTION	QTY
				300
FLYWHEEL HOUSING, FLYWHEEL, CLUTCH, CONVERTER AND RELATED PARTS				
CLUTCH ASSEMBLY 12 INCH H.D. - 1-3/8 - 10 SPLINE				
FLYWHEEL AND RING GEAR ASSEMBLY				
1	70/	E5TZ-6375-G	Flywheel And Ring Gear - 180 Tooth - For 12 Inch Clutch	1
2	70/	C5AZ-6384-A	Ring Gear - Flywheel - 184 Tooth - For C5TZ-B, C5JZ-A And C5JZ-B Flywheels	1
	80/	D7TZ-6384-A	Ring Gear - Flywheel - 180 Teeth - For D8TZ-C and E5TZ-G Flywheels	1
3	70/	C5TZ-6379-B	Bolt - 7/16-20 x 1.62 Hex - Flywheel To Crankshaft - For E5TZ-G Flywheel	6
4	70/80	C5TZ-6375-T	Flywheel And Ring Gear - 164 Tooth - For Converter	1
5	70/80	C2OZ-6A366-A	Plate - Flywheel Reinforcing	1
6	70/80	378171-S100	Bolt - 7/16-20 x .83 - Flywheel To Crankshaft - For C5TZ-T Flywheel	6
7	70/80	378941-S7-8	Nut - Attach Converter To Flywheel	4
HOUSING - FLYWHEEL - WITH FEET AND FLYWHEEL ASSEMBLY				
1	70/	C5JZ-6375-A	Flywheel And Ring Gear - 184 Tooth - For 10 Inch Over Center Clutch	1
	70/	C5JZ-6375-BB	Flywheel And Ring Gear - 184 Tooth - For 11-1/2 Inch Over Center Clutch	1
2	70/	C5AZ-6384-A	Ring Gear - Flywheel - 184 Tooth - For C5TZ-B, C5JZ-A And C5JZ-B Flywheels	1
3	70/	F1ZZ-6379-A	Bolt - 7/16-20 x 1.045 - Flywheel To Crankshaft For C5JZ-A And C5JZ-B Flywheels	6
9	70/	C5JZ-6392-A	Housing - Flywheel - SAE 4	1
	70/	C5JZ-6392-B	Housing - Flywheel - SAE 3	1
10	70/	43040-S36	Bolt - 7/16-14 x 1.00 - Self Locking	A/R
	70/	43044-S36	Bolt - 7/16-14 x 1.50	A/R
11	70/	C5JZ-7518-A	Cover - Inspection Hole	1
12	70/	57633-S2	Screw And Washer - 5/16-18 x .75	4
13	70/	EAD-6397-A	Dowel - 1/2 x 1.00	1
14	70/	E1JL-7007-AA	Plate - Rear Engine	1
15	70/	C5JZ-7599-A	Adapter - Pilot Bearing To Flywheel	1
16	70/	42998-S8	Bolt - 3/8-16 x 1.00 Self-Locking	3
HOUSING - CLUTCH - AND RELEASE LEVER FOUR AND FIVE SPEED TRANSMISSION				
9	70/	C5TZ-7505-E	Housing Assembly - Clutch	1
10	70/	302555-S2	Bolt - 7/16-14 x 3.75	6
	70/	43040-S36	Bolt - 7/16-14 x 1.00 - Self-Locking	A/R
13	70/	EAD-6397-A	Dowel - 1/2 x 1.00	1
14	70/	C5TZ-7007-E	Plate Assembly - Engine Rear	1
17	70/	34793-S2	Washer - 7/16 Lock	6
18	70/	C5TZ-7564-C	Dust Cover - Front	1
19	70/	20388-S8	Bolt - 3/8-16 x 1.00	A/R
20	70/	34792-S36	Washer - 3/8 Lock	A/R
21	70/	C5TZ-7564-B	Cover - Lower Dust	1
22	70/	57631-S2	Bolt - 5/16-18 x .50	5
23	70/	C4TZ-7513-C	Dust Seal - Clutch Release Lever	1
24	70/	354320-S8	Stud - 9/16-12-18 x 2.56	2
25	70/	34810-S8	Washer - 9/16 Lock	2
26	70/	33848-S8	Nut - 9/16-18 Lock	2



CSG 649 AND CSG 649P
300 CID
GASOLINE ENGINE AND POWER UNIT



FLYWHEEL HOUSING, FLYWHEEL, CLUTCH, CONVERTER AND RELATED PARTS — TYPICAL

IE-36A

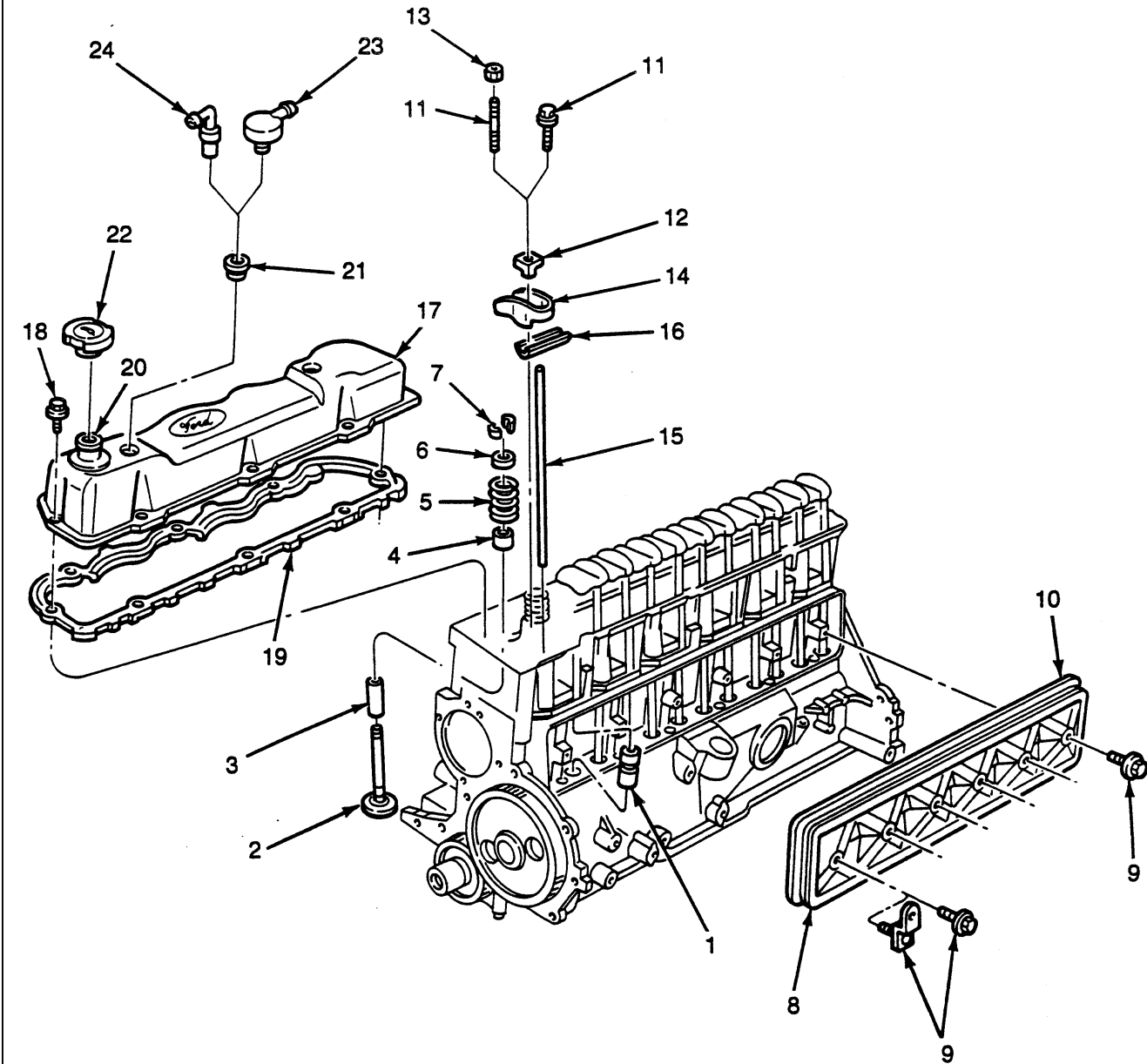
**CSG 649 AND CSG 649P
300 CID
GASOLINE ENGINE AND POWER UNIT**



REF. NO.	YEAR	PART NUMBER	DESCRIPTION	QTY
				300
			FLYWHEEL HOUSING, FLYWHEEL, CLUTCH, CONVERTER AND RELATED PARTS (CONTINUED)	
			HOUSING - CLUTCH - AND RELEASE LEVER FOUR AND FIVE SPEED TRANSMISSION (CONTINUED)	
27	70/	C7TZ-7515-B	Lever - Clutch Release	1
28	70/	C5TZ-7600-B	Bearing - Ball - Pilot - 1.85 OD x .98 ID x .47 Wide	1
	70/	C5TZ-7600-C	Bearing - Bronze - Pilot - 1.85 OD x .987 ID x .58 Wide	1
29	70/	C5TZ-7550-G	Disc Assembly - Clutch - 12 Inch	1
30	70/	C5TZ-7563-D	Plate And Cover Assembly - Clutch Pressure - 12 Inch	1
31	70/	382087-S2	Bolt - 5-16-18 x .92	6
32	70/	34791-S36	Washer - 5/16 Lock	6
			CLUTCH ASSEMBLY 12 INCH H.D. 1-3/8 - 10 SPLINE	
29	70/	C5TZ-7550-G	Disc Assembly - Clutch - 12 Inch	1
30	70/	C5TZ-7563-D	Plate And Cover Assembly - Clutch Pressure - 12 Inch	1
31	70/	382087-S2	Bolt - 5/16-18 x .92	6
32	70/	34791-S36	Washer - 5/16 Lock	6
33	70/	E1HZ-7548-D	Bearing And Hub Assembly - Clutch Release	1
			BEARING - CLUTCH PILOT	
15	70/	C5JZ-7599-A	Adapter - Pilot Bearing To Flywheel	1
16	70/	42998-S8	Bolt - 3/8-16 x 1.00 Self-Locking	3
28	70/82	C5TZ-7600-B	Bearing - Ball - Pilot - 1.85 OD x .96 ID x .47 Wide	1
	70/	C5TZ-7600-C	Bearing - Bronze - Pilot - 1.85 OD x .987 x .58 Wide	1
			CONVERTER HOUSING AND REAR ENGINE PLATE	
14	70/80	D2TZ-7007-A	Plate - Engine Rear	1
34	70/80	NOT REPLACED	Converter Housing - Not Serviced	1
35	70/80	NOT REPLACED	Bolt - 7/16-14 x 2.50	6
36	70/80	34793-S2	Washer - 7/16 Lock	6
37	70/80	C5AZ-7986-A	Cover - Front Dust	1
38	70/80	57631-S2	Bolt - 5/16-18 x .50	3
			REAR ENGINE PLATE AND FRONT DUST COVER	
10	70/	43040-S36	Bolt - 7/16-14 x 1.00 - Self-Locking	3
14	70/	C5TZ-7007-E	Plate Assembly - Engine Rear	1
18	70/	C5TZ-7564-C	Dust Cover - Front	1
19	70/	304650-S2	Bolt - 3/8-16 x .75	1
20	70/	34792-S36	Washer - 3/8 Lock	2



CSG 649 AND CSG 649P
300 CID
GASOLINE ENGINE AND POWER UNIT



VALVES, PUSH RODS, ROCKER ARM COVER AND RELATED PARTS — TYPICAL

IE-582

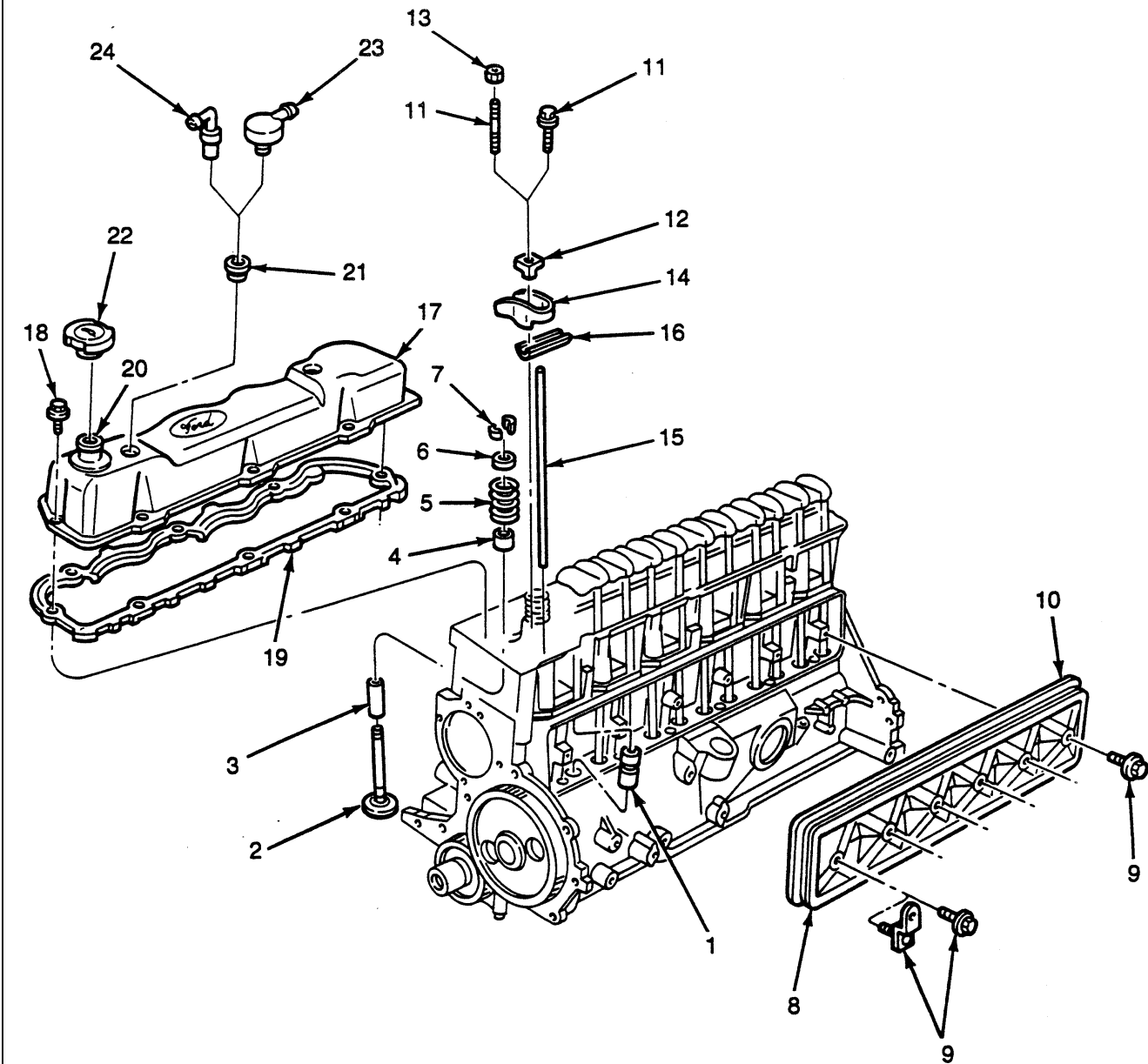
**CSG 649 AND CSG 649P
300 CID
GASOLINE ENGINE AND POWER UNIT**



REF. NO.	YEAR	PART NUMBER	DESCRIPTION	QTY
				300
			VALVES, PUSH RODS, ROCKER ARM COVER AND RELATED PARTS	
			TAPPET ASSEMBLY - VALVE	
1	70/	F1DZ-6500-A	Tappet	12
			VALVE	
2	70/84	D5TZ-6505-N	Valve - Exhaust Standard .3419 Stem Diameter	6
	70/84	D5TZ-6505-R	Valve - Exhaust .015 O/S	A/R
	70/84	D5TZ-6505-S	Valve - Exhaust .030 O/S	A/R
	85/	F6JL-6505-AA	Valve - Exhaust Standard .341 Stem Diameter	6
	70/84	C5TZ-6507-A	Valve - Intake Standard .3419 Stem Diameter	6
	70/84	C5TZ-6507-C	Valve - Intake .015 O/S	A/R
	70/84	C5TZ-6507-D	Valve - Intake .030 O/S	A/R
	85/	F6JL-6507-AA	Valve - Intake Standard .341 Stem Diameter	6
			BUSHING - VALVE GUIDE	
3	70/	D1AZ-6510-C	Bushing - Intake	A/R
	70/	D6AZ-6510-A	Bushing - Exhaust	A/R
			SEAL - VALVE STEM	
4	70/91	D6OZ-6571-A	Seal - Valve Stem	12
	92/	E8AZ-6571-A	Seal - Valve Stem - Intake	6
	92/	F2TZ-6571-A	Seal - Valve Stem - Exhaust	6
			RETAINERS, LOCKS AND SPRINGS - VALVE	
5	70/83	C5AZ-6513-A	Valve Spring - Intake	6
	70/83	C5TZ-6513-A	Valve Spring - Exhaust	6
	84	E4TZ-6513-A	Valve Spring - Exhaust	6
	84	E4TZ-6513-B	Valve Spring - Intake	6
	85/	E5TZ-6513-A	Valve Spring - Intake	6
	85/	E5TZ-6513-B	Valve Spring - Exhaust	6
6	70/	D9TZ-6514-A	Retainer - Valve Spring - Exhaust - Rotator	6
	70/	F1TZ-6514-C	Retainer - Valve Spring - Intake	6
7	70/	7HA-6518-A	Lock Key	24
			COVER - VALVE PUSH ROD	
8	70/	E7TZ-6519-A	Cover - Push Rod	1
9	70/	E7TZ-6C517-A	Bolt And Grommet Assembly	A/R
	70/	E7TZ-6C517-B	Bolt, Grommet And Retainer Assembly	A/R
10	70/	E4TZ-6521-A	Gasket - Push Rod Cover	1
			ROCKER ARMS, PUSH RODS AND RELATED PARTS	
11	70/78	C5AZ-6A527-A	Stud - Valve Rocker Arm Support - 3/8-24 x 2-5/8 - .3717	12
	70/78	C5AZ-6A527-B	Stud - Valve Rocker Arm Support .006 O/S	A/R
	70/78	C5AZ-6A527-C	Stud - Valve Rocker Arm Support .010 O/S - Not Serviced	A/R
	78/84	D8TZ-6A527-A	Stud - Valve Rocker Arm Support 5/16-24 x 2-39/64	12
	78/84	D8TZ-6A527-D	Stud - Valve Rocker Arm Support .010 O/S - Not Serviced	A/R
	85/	D8AZ-6A527-A	Bolt - Valve Rocker Arm Support - 5/16-18 x 1.40	12
12	70/84	C2OZ-6A528-C	Seat - Rocker Arm Fulcrum	12
	85/	E53Z-6A528-A	Seat - Rocker Arm Fulcrum	12
13	70/78	C2DZ-6A529-A	Nut - Rocker Arm Stud - 3/8-24	12
	78/84	DOAZ-6A529-A	Nut - Rocker Arm Stud - 5/16-24	12
14	70/84	C5AZ-6564-A	Arm - Valve Rocker	12
	85/	E43Z-6564-A	Arm - Valve Rocker	12
15	70/	C5AZ-6565-A	Rod - Valve Push - 10.16 Long	12
	70/	C5AZ-6565-B	Rod - Valve Push - .060 U/S	A/R



CSG 649 AND CSG 649P
300 CID
GASOLINE ENGINE AND POWER UNIT



VALVES, PUSH RODS, ROCKER ARM COVER AND RELATED PARTS — TYPICAL

IE-582

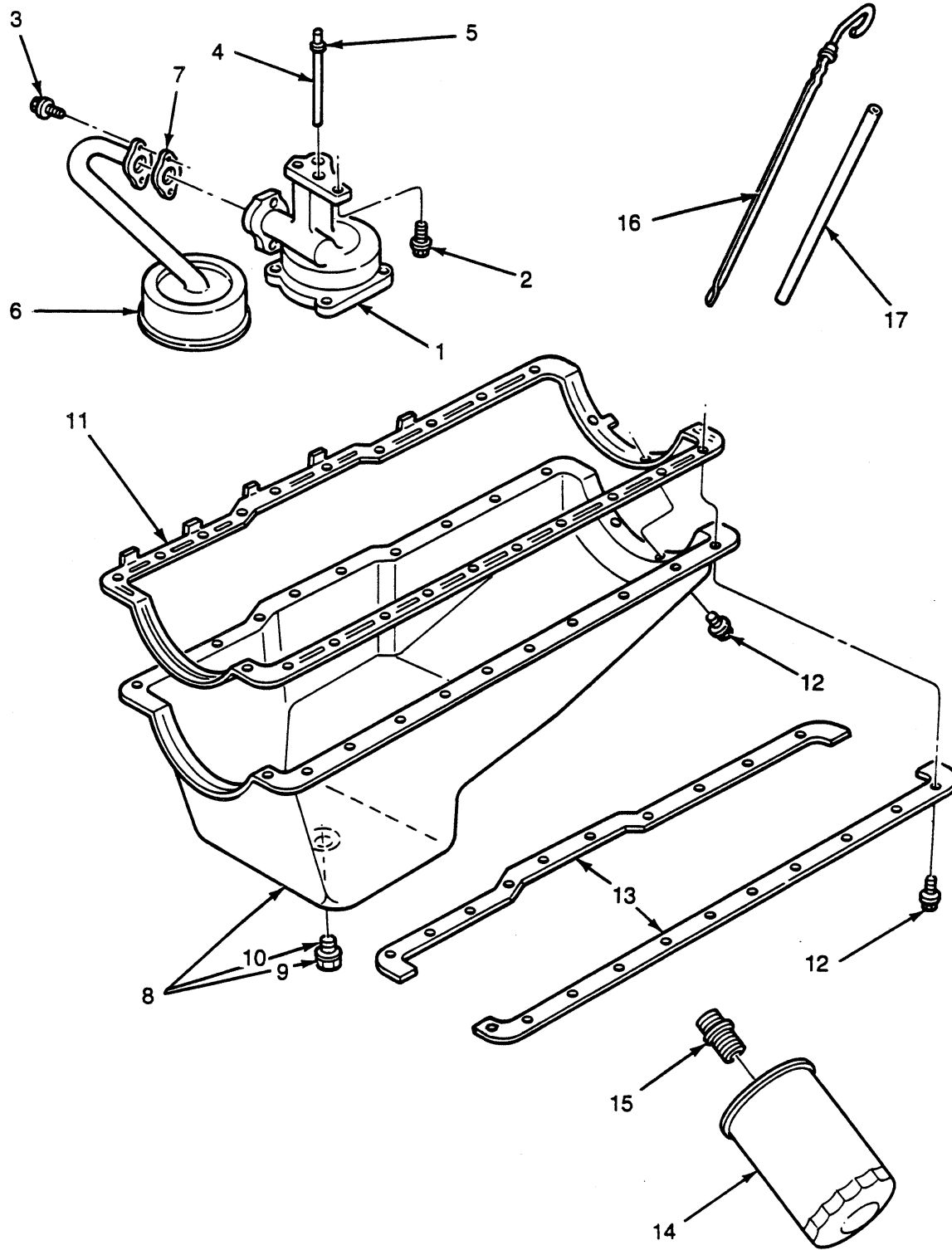
**CSG 649 AND CSG 649P
300 CID
GASOLINE ENGINE AND POWER UNIT**



REF. NO.	YEAR	PART NUMBER	DESCRIPTION	QTY
				300
			VALVES, PUSH RODS, ROCKER ARM COVER AND RELATED PARTS (CONTINUED)	
			ROCKER ARMS, PUSH RODS AND RELATED PARTS (CONTINUED)	
15	70/	C5AZ-6565-C	Rod - Valve Push - .060 O/S	A/R
16	85/	E5TZ-6A588-A	Guide - Rocker Arm Fulcrum	12
			COVER - ROCKER ARM - AND RELATED PARTS	
17	70/83	C5AZ-6582-K	Cover - Rocker Arm	1
	84	E4TZ-6582-A	Cover - Rocker Arm - Not Serviced	1
	85/86	E5TZ-6582-J	Cover - Rocker Arm	1
	87	E7TZ-6582-A	Cover - Rocker Arm - Not Serviced	1
	88/	F1TZ-6582-C	Cover - Rocker Arm	1
18	70/84		Bolt - 5/16-18 x .62 - Not Serviced	8
	85/	390057-S	Bolt - 1/4-20 x .65	8
19	70/87	E5TZ-6584-D	Gasket - Rocker Arm Cover	1
	88/	E9TZ-6584-B	Gasket - Rocker Arm Cover	1
			PIPE - OIL FILLER AND BREATHER CAP	
20	70/84	C6JZ-6763-C	Pipe - Oil Filler	1
21	70/84	E6TZ-6A892-C	Retainer	1
	85/	E7AZ-6A892-A	Retainer	2
22	70/84	C1TZ-6766-A/NR	Cap - Oil Filler	1
	70/83	D2AE-6766-MA	Cap - Open System	1
	84	E53Z-6B897-A	Cap And Filter Assembly	1
	85/	F3AZ-6766-A	Cap - Oil Filler	1
23	85/	F1BZ-6A768-A	Filter Assembly - Crankcase Vent Tube	1
24	70/	D8TE-6B890-AA	PCV Valve And Elbow Connector	1
	70/	D8TZ-6A666-B	PCV Valve	1



CSG 649 AND CSG 649P
300 CID
GASOLINE ENGINE AND POWER UNIT



OIL PUMP, OIL PAN AND RELATED PARTS — TYPICAL

IE-583

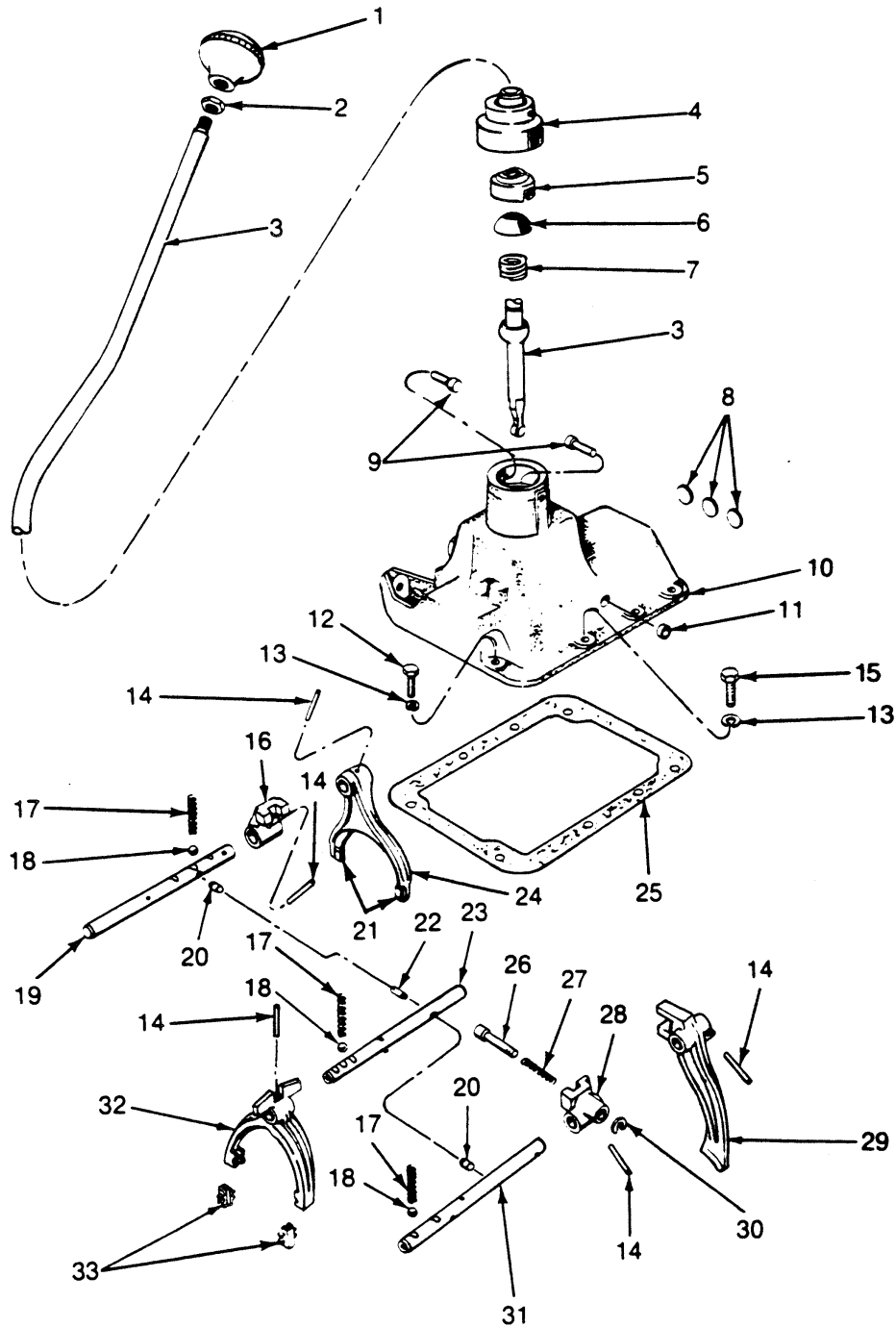
**CSG 649 AND CSG 649P
300 CID
GASOLINE ENGINE AND POWER UNIT**



REF. NO.	YEAR	PART NUMBER	DESCRIPTION	QTY
				300
OIL PUMP, OIL PAN AND RELATED PARTS				
PUMP ASSEMBLY - ENGINE OIL				
1	70/	C5AZ-6600-A	Pump Assembly - Less Screen And Tube	1
2	70/	390674-S100	Bolt - 5/16-18 x .875	2
3	70/	390674-S100	Bolt - 5/16-18 x .875	2
4	70/	C5AZ-6A618-A	Shaft Assembly - Pump Intermediate - 4.52 Long - With Retainer	1
5	70/	C4AZ-6629-A	Ring - Pump Intermediate, Shaft Retainer	1
6	70/	C5TZ-6622-B	Screen, Tube And Cover Assembly	1
7	70/	EOTZ-6626-A	Gasket - oil Pump Inlet	1
PAN - ENGINE OIL				
8	70/	C5TZ-6675-E	Pan - Engine Oil	1
9	70/	D7TZ-6730-A	Plug - Oil Pan Drain - Includes Gasket	1
10	70/	C2OZ-6734-A	Gasket - Oil Pan Drain Plug	1
11	70/87	E3TZ-6781-B	Gasket Set	1
CONSISTS OF:				
		C2OZ-6734-A	Gasket - Oil Pan Drain Plug	1
		D6TE-6722-AA	Seal - Oil Pan - Front	1
		D7TE-6723-AA/NR	Seal - Oil Pan - Rear	1
		E3TE-6710-BA/NR	Gasket - Oil Pan - Right	1
		E3TE-6711-BA/NR	Gasket - Oil Pan - Left	1
	88/	E7TZ-6710-B	Gasket - Oil Pan - One Piece	1
12	70/	390674-S100	* Bolt - 5/16-18 x .875	25
	70/	57632-S2	● Bolt - 5/16-18 x .625	25
13	70/	E8TZ-6A674-A	Reinforcement Rail - Right	1
	70/	E8TZ-6A674-B	Reinforcement Rail - Left	1
FILTER - ENGINE OIL				
14	70/	D9AZ-6731-A	Filter	1
15	70/	F1AZ-6890-B	Insert - Oil Filter Adapter	1
INDICATOR - ENGINE OIL LEVEL				
16	70/	C5TZ-6750-J	Indicator - Oil Level - 12.52 Top of Shield To Full	1
17	79/	C7JZ-6784-A	Tube - Oil Level Indicator	1
* With Reinforcement Rails				
● Without Reinforcement Rails				



CSG 649 AND CSG 649P
300 CID
GASOLINE ENGINE AND POWER UNIT



GEAR SHIFT MECHANISM — 4-SPEED HELICAL (NEW PROCESS 435) — TYPICAL

IE-39

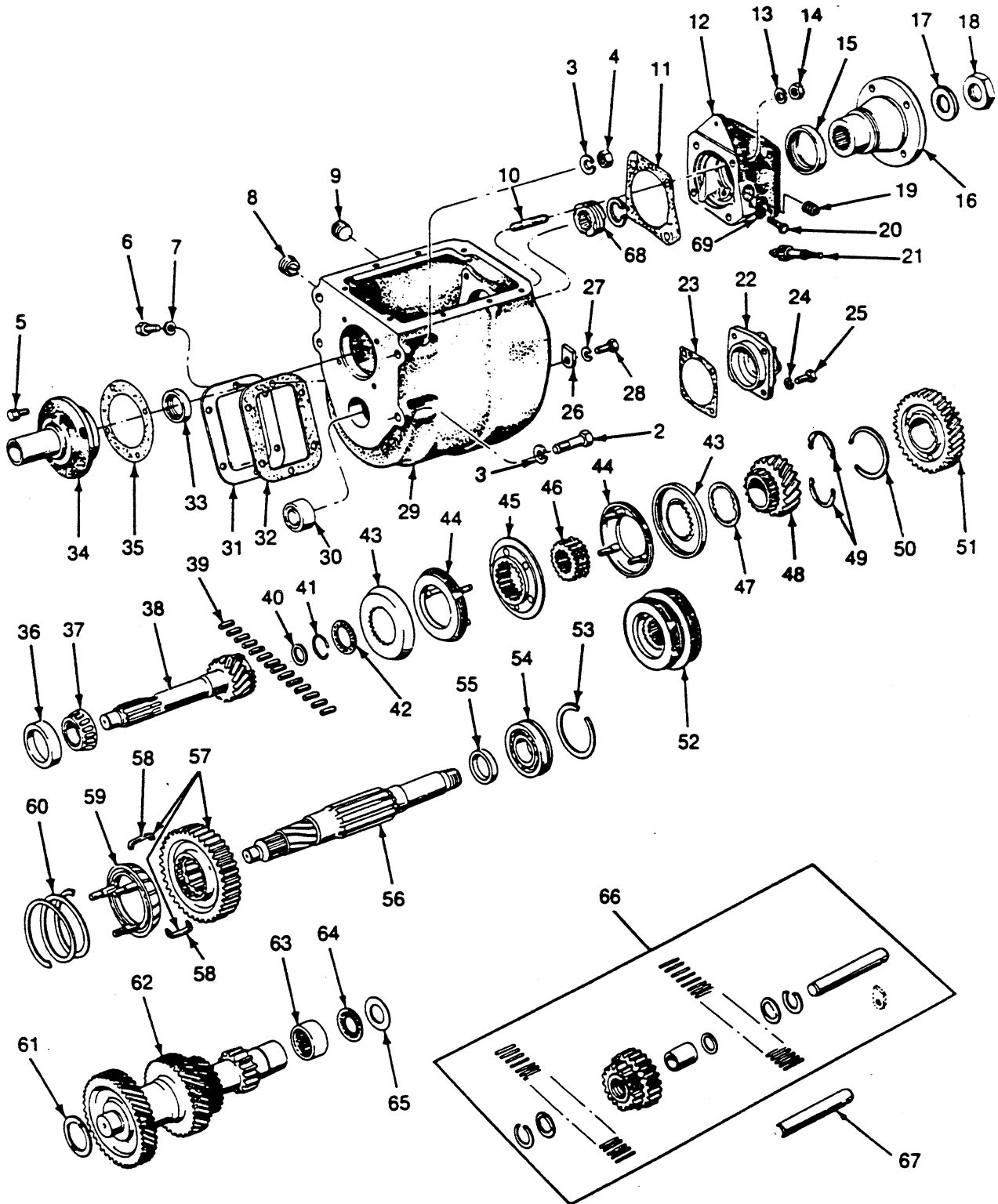
**CSG 649 AND CSG 649P
300 CID
GASOLINE ENGINE AND POWER UNIT**



REF. NO.	YEAR	PART NUMBER	DESCRIPTION	QTY
				300
GEAR SHIFT MECHANISM - 4 SPEED CENTER SHIFT - NEW PROCESS 435				
1	70/	C4TZ-7213-A	Ball Assembly - Gearshift Lever	1
2	70/	355571-S	Nut - 3/8-24 Hex Jam	1
3	70/	D2JL-7210-A	Lever Assembly - Gearshift - Power Unit	1
	70/	D2TZ-7210-B/NR	Lever Assembly - Gearshift	1
4	70/	B8T-7277-A	Boot - Gearshift Lever To Housing	1
5	70/	B8T-7220-D	Cap - Shift Lever	1
6	70/	E2TZ-7228-E	Seat - Gearshift Spring	1
7	70/	B8T-7227-A	Spring - Gearshift Lever	1
8	70/	74113-S	Plug - 3/4	3
9	70/	D2TZ-7221-A	Trunnion - Cover - 1-3/16 Long, 5/16 Dia. One End, 1/4 Dia. Other End	2
10	70/	D2TZ-7222-D	Housing - Gearshift	1
11	70/	352532-S	Plug - 3/8 Cup	1
12	70/	58633-S2	Bolt - 3/8-16 x .75	6
13	70/	34807-S8	Washer - 3/8 Lock	6
14	70/	C4TZ-7235-B	Pin - Shifter Interlock - 1 Long, 3/16 OD - Chamfer On One End Only	5
15	70/	354135-S7-8	Bolt - Housing To Case - 3/8-16 x 1.125	2
16	70/	C4TZ-7279-A	Gate - First And Second Gearshifter Shaft	1
17	70/	TYAA-7234-A	Spring - Gearshifter Shaft Poppet - 7 Active Coils - 23/64 OD, 1 Long	3
18	70/	372720-S	Ball - Shifter Shaft Poppet - 3/8	3
19	70/	C4TZ-7240-A	Shaft - First And Second Gearshifter - 8.15 Long, .6213 Diameter	1
20	70/	C4TZ-7247-A	Plunger - Shifter Shaft Interlock - .599 Long, .374 Dia. - Rounded Ends	2
21	70/	D2TZ-7C430-B	Insert - First And Second Gearshifter Fork - 3/4 Long, 5/16 Wide, 1/4 Thick-Nylon	2
22	70/	TYAA-7235-A	Gearshifter Shaft Interlock - 3/16 OD, 33/64 Long	1
23	70/	D2TZ-7241-B	Shaft - Third And Fourth Gearshifter - 8.63 Long, .6213 Diameter	1
24	70/	C4TZ-7289-D	Fork - First And Second Gearshifter - Includes Nylon Inserts	1
25	70/	E0TZ-7223-B	Gasket - Gearshift Housing - 10.69 Long, 8/32 Wide, (8) Bolt Holes	1
26	70/	C9TZ-7247-A	Plunger - Shifter Shaft Interlock - Reverse Shift Lug	1
27	70/	7EQ-7219	Spring - Reverse Shift Lug - 1/2 OD, 1-9/16 Free Length	1
28	70/	C4TZ-7232-A	Gate - Gearshift Reverse - Front	1
29	70/	C4TZ-7243-A	Arm - Gearshift, Reverse Fork	1
30	70/		Washer - Reverse Shift Lug Plunger - "C" Type - 5/8 Wide, 7/32 Opening, 1/16 Thick - Not Serviced	1
31	70/	C7TZ-7242-A	Shaft - Reverse Gearshift - 8.69 Long, .6213 Diameter	1
32	70/	D7TZ-7289-A	Fork - Third And Fourth Gearshifter - Includes Inserts	1
33	70/	C2TZ-7C430-B	Insert - Third And Fourth Gearshifter Forks, 3/4 Long, 1/2 Overall Width	2



CSG 649 AND CSG 649P
300 CID
GASOLINE ENGINE AND POWER UNIT



TRANSMISSION ASSEMBLY — 1 KIT — SMALL PARTS REPAIR — 71
GASKET SET — 70 KIT — BEARING AND GASKET (OVERHAUL) — 72
TRANSMISSION — 4-SPEED SYNCHRO. HELICAL GEAR (NEW PROCESS 435) — TYPICAL

IE-40

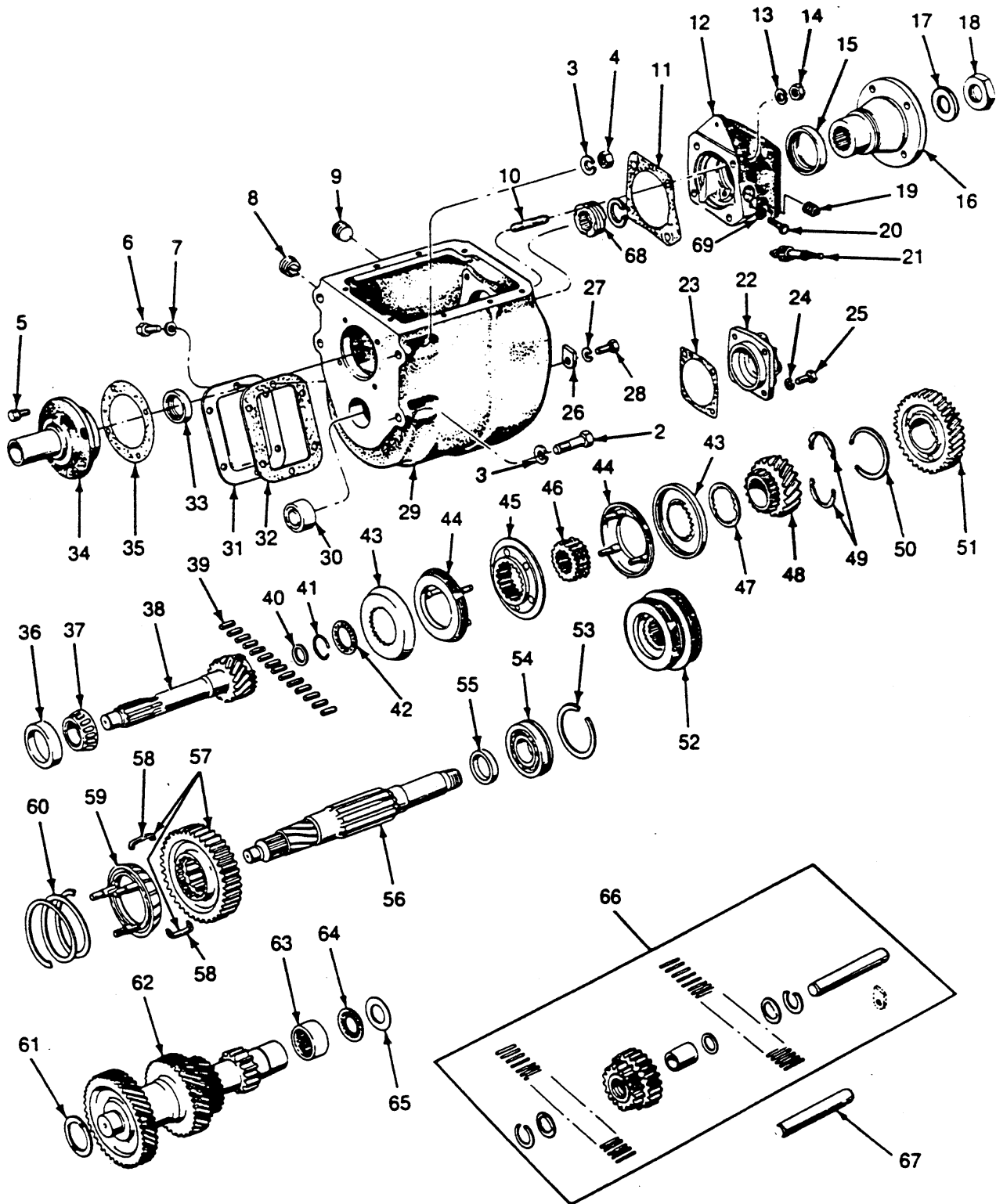
**CSG 649 AND CSG 649P
300 CID
GASOLINE ENGINE AND POWER UNIT**



REF. NO.	YEAR	PART NUMBER	DESCRIPTION	QTY
				300
TRANSMISSION ASSEMBLY - 4 SPEED CENTER SHIFT - NEW PROCESS 435				
1	70/80	FOHT-7004-AF	Transmission Assembly - Not Serviced	1
	80/	E4HT-7004-CA/NR	Transmission Assembly - Not Serviced	1
2	70/	58699-S2	Bolt - 9/16-12 x 2.00	2
3	70/	34810-S8	Washer - 9/16 Lock	4
4	70/	33848-S8	Nut - 9/16-18 Lock	2
5	70/		Bolt - 5/16-18 x .75 - Not Serviced	4
6	70/	304636-S2	Bolt - 3/8-16 x .625	6
7	70/	34807-S8	Washer - 3/8 Lock	6
8	70/	374506-S	Plug - Drain - Magnetic - 3/4 NPT	1
9	70/	358048-S	Plug - Filler - 3/4 NPT	1
10	70/		Stud - 1/2-3-20 x 1.75 - Not Serviced	4
11	70/	B9TZ-7086-A	Gasket - Output Shaft Bearing Retainer	1
12	70/83	C8TZ-7085-F	Retainer Assembly - Output Shaft Bearing - D7HT-DA And EOHT-AFA	1
	83/	E4HZ-7085-B	Retainer Assembly - Output Shaft Bearing - E4HT-CA	1
13	70/	34809-S8	Washer - 1/2 Lock	4
14	70/	33846-S8	Nut - 1/2-20	4
15	70/	D2TZ-4813-A	Oil Seal - Output Shaft Bearing Retainer - 3-1/4 OD, 2-1/2 ID, 1/2 Thick	1
16	70/	C5TZ-7089-A	Flange - Output	1
17	70/	C5TZ-7119-A	Washer - Output Shaft - 1.75 OD, 1 ID, .156 Thick	1
18	70/	371887-S	Nut - Output Shaft - 1.20 Hex Lock, 1-1/2 Across Flats, 1-20 Thread	1
19	70/	C8TZ-17297-A	Adapter - Speedometer Gear	1
20	70/	20324-S8	Bolt - 1/4-20 x .625	1
21	70/	EOHZ-17322-DA	Gear - Speedometer Drive - 15 Teeth	1
22	70/	C4TZ-7195-A	Cap - Countershaft Rear Bearing	1
23	70/	C4TX-7181-A	Gasket - Countershaft Rear Bearing Cap - 3.19 ID, 1/64 Thick, (4) .41 Bolt Holes	1
24	70/	34807-S8	Washer - 3/8 Lock	4
25	70/	58633-S2	Bolt - 3/8-16 x .75	4
26	70/	C4TZ-7155-A	Plate - Countershaft And Reverse Idler Shaft Lock - 7/8 Wide, 1/8 Thick, 1-1/8 Overall Length	1
27	70/	34807-S8	Washer - 3/8 Lock	1
28	70/		Bolt - Lock Plate To Case - 3/8-16 x .625 - Not Serviced	1
29	70/	C4TZ-7005-A	Case - Transmission	1
30	70/	C4TZ-7118-A	Bearing Assembly - Countershaft Front Radial - 1.8755 OD, 1.50 ID, 1 Thick	1
31	70/	BB-7165	Cover - Power Take Off	1
32	70/	E7HZ-7166-A	Gasket - Power Take Off Cover	1
33	70/	C4TZ-7048-A	Seal - Input Shaft	1
34	70/	C4TZ-7050-A	Retainer - Input Bearing 4-11/32 Overall Length, 5.124 Flange OD, 2.8428 Flange ID	1
35	70/	C4TZ-7051-B	Gasket - Input Shaft Bearing Retainer	2
36	70/	CODW-4628-A	Cup - Input Shaft Bearing - 2.8443 OD, .7812 Wide	1
37	70/	CODW-4630-A	Bearing Assembly - Input Shaft	1
38	70/	C4TZ-7017-A	Shaft Input - 17 Helical Teeth, 24 Clutch Teeth - 10 Splines, 9-3/8 Long	1
39	70/	B7T-7118-A	Roller - Input Shaft Pilot Bearing - .2811 OD, .678 Long - Set of 14	14
40	70/	C4TZ-7063-A	Spacer - Input Shaft Bearing To Inner Race - 1.543 OD, 1.25 ID, .062 Thick	1
41	70/	B7T-7117-A	Snap Ring - Pilot Roller Bearing Retainer - 1.685 Free OD, .093 Dia., Spring Steel	1
42	70/	C4TZ-7C096-C	Bearing - Synchronizer Clutch Gear Thrust - 27 Rollers, 2.171 OD, .156 Thick	1
43	70/	D3TZ-7107-A	Ring - Synchronizer Third And Fourth Outer Stop - 24 Splines	2
44	70/80	B7T-7174-B	Synchronizer Inner Stop - 4.65 OD, Third And Fourth Gear	2



CSG 649 AND CSG 649P
300 CID
GASOLINE ENGINE AND POWER UNIT



TRANSMISSION ASSEMBLY — 1 KIT — SMALL PARTS REPAIR — 71
GASKET SET — 70 KIT — BEARING AND GASKET (OVERHAUL) — 72

TRANSMISSION — 4-SPEED SYNCHRO. HELICAL GEAR (NEW PROCESS 435) — TYPICAL

IE-40

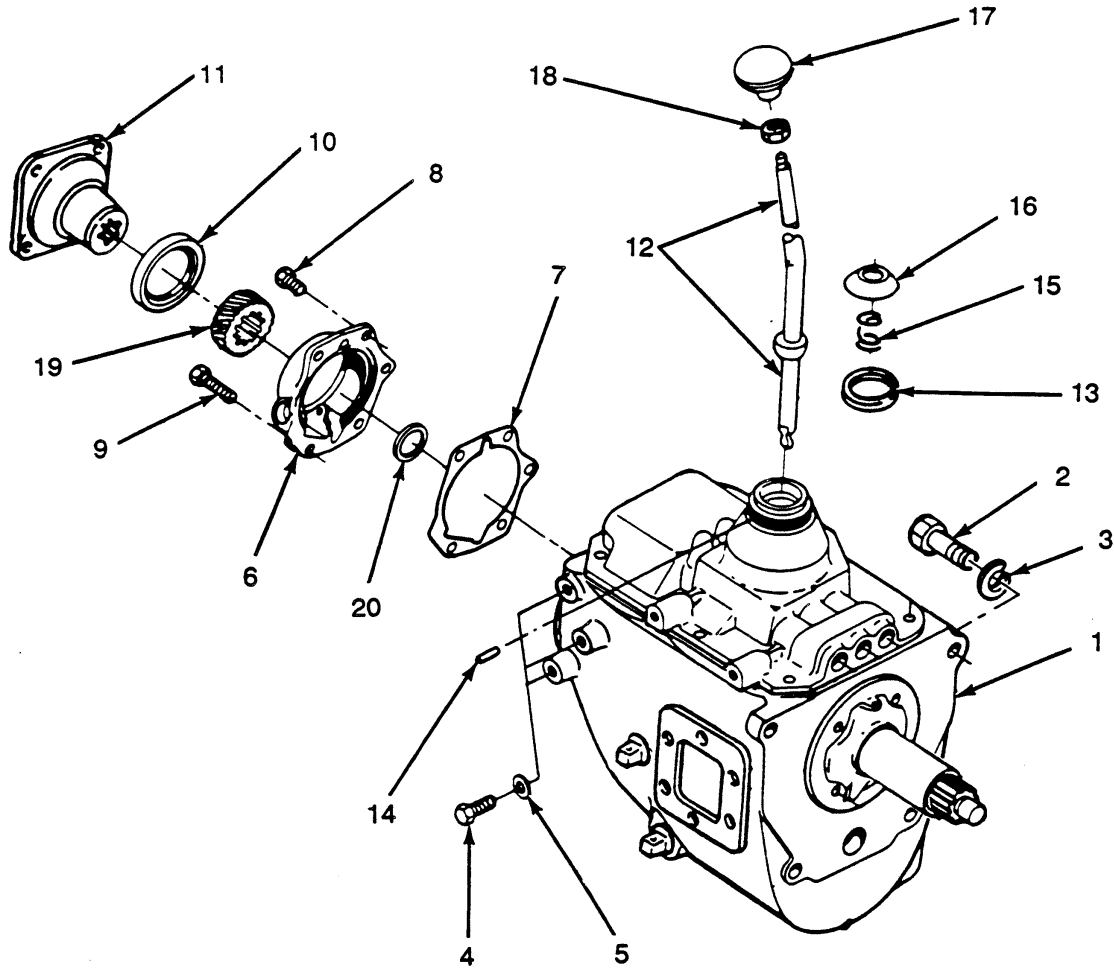
**CSG 649 AND CSG 649P
300 CID
GASOLINE ENGINE AND POWER UNIT**



REF. NO.	YEAR	PART NUMBER	DESCRIPTION	QTY
				300
TRANSMISSION ASSEMBLY - 4 SPEED CENTER SHIFT - NEW PROCESS 435 (CONTINUED)				
45	70/77	B7T-7187-A	Sleeve - Synchronizer Sliding - 24 Teeth - Before 6-77	1
	77/	DOHZ-7187-A	Sleeve - Synchronizer Sliding - 24 Teeth - After 6-77	1
46	70/	C4TZ-7183-B	Hub - Third And Fourth Gear Synchronizer Clutch - 24 External Teeth, 35 Internal Splines, Includes (1) C4TZ-7C096-C Bearing	1
47	70/	B7T-7160-A	Shim - Synchronizer To Output Shaft And Third Speed Idler Gear - .010 Thick	A/R
	70/	B7T-7160-B	Shim - Synchronizer To Output Shaft And Third Speed Idler Gear - .015 Thick	A/R
48	70/80	C4TZ-7196-A	Gear - Output Shaft Third Speed Idler - 23 Helical Teeth, 24 Spur Teeth, 3.723 OD, 1.714 Overall Thickness - D7HT-DA	1
	80/	D8TZ-7196-A	Gear - Output Shaft Third Speed Idler - 24 Helical Teeth, 24 Spur Teeth, 3.75 OD, 1.703 Thick - E0HT-AFA & E4HT-CA	1
49	70/	B7T-7109-A	Ring - Output Shaft Second Speed Gear Split Retaining - 1.809 ID, 2.333 OD, .0745 Thick	2
50	70/	C4TZ-7161-B	Snap Ring - Output Second Speed Rear - 3.43 OD, 3.053 ID, .065 Thick	1
51	70/	C4TZ-7176-A	Gear - Output Shaft Second Speed - 33 Helical Teeth, 27 Clutch Teeth, 5.105 OD, 2.1268 ID	1
52	70/	D4HZ-7124-A	Synchronizer Assembly - Third And Fourth Speed	1
53	70/	7EQ-7070	Snap Ring - Output Shaft Bearing Retainer - .097 Thick	1
54	70/	C4TZ-7065-A	Bearing - Output Shaft Rear - 3.543 OD, 1.574 ID, .905 Wide	1
55	70/	C4TZ-7072-C	Spacer - Output Shaft To Bearing - 2.25 OD, .338 Wide	1
56	70/	C5TZ-7061-H	Shaft - Output - 13.59 Long, 10 Splines, 35 Serrations Both Ends, Includes (1) Each C4TZ-7119-A Washer And 371887-S Nut	1
57	70/	C4TZ-7100-K	Gear - Low And Reverse Sliding - 37 Spur Teeth, 27 Clutch Teeth, 10 Splines 6.417 OD, Includes (2) C5TZ-7E082-A Springs And (1) C4TZ-7100-J Gear	1
58	70/	C5TZ-7E082-A	Spring - Sliding Gear Tension	2
59	70/	C4TZ-7174-A	Ring - Synchronizer Inner Stop And Clutch Pin - 5.0597 OD	1
60	70/	C4TZ-7B137-A	Spring - Synchronizer Blocking - 4 ID, 4.88 Free Length, 2-1/2 Active Coils, .46 x .225 Wide, Spring Steel	1
61	70/	C4TZ-7119-A	Washer - Countershaft Cluster Gear Thrust - Front 2.75 OD, 1.90 ID, .062 Thick, 4 Oil Grooves	1
62	70/80	C4TZ-7113-A	Gear - Countershaft Cluster - 11.30 Long, 43-35-25 Helical Teeth, 14 Spur Teeth - D7HT-DA	1
	80/	D8TZ-7113-A	Gear - Countershaft Cluster - 43-34-25 Helical Teeth - 14 Spur Teeth - E0HT-AFA & E4HT-CA	1
63	70/	C4TZ-7127-A	Bearing Assembly - Countershaft Rear - 2.3755 OD, 2.00 ID, 1 Wide	1
64	70/	C4TZ-7C096-A	Bearing - Countershaft Thrust Rear - 2.3755 OD, 38 Rollers, .078 Thick	1
65	70/	C4TZ-7119-C	Washer - Countershaft Cluster Gear Thrust Rear - 1.917 OD, 1.257 ID, .031 Thick	1
66	70/	DOTZ-7141-A	Gear - Reverse Idler - 17-21 Teeth, 3.893 OD, 1.481 ID, With Bearing	1
67	70/	C4TZ-7140-A	Shaft - Reverse Idler Gear - 5-11/32 Long, .9877 Diameter	1
68	70/	E1HZ-17285-B	Gear - Speedometer Drive - 5 Teeth	1
69	70/	34805-S8	Washer - 1/4 Lock	1
70	70/	D5TZ-7153-A	Gasket Set	1
71	70/	C4TZ-7B331-B	Kit - Small Parts Repair	1
72	70/	9264-T127	Kit - Bearing And Gasket - Overhaul	1



CSG 649 AND CSG 649P
300 CID
GASOLINE ENGINE AND POWER UNIT



TRANSMISSION ASSEMBLY (4-SPEED HELICAL) WARNER GEAR T18 — TYPICAL

IE-584

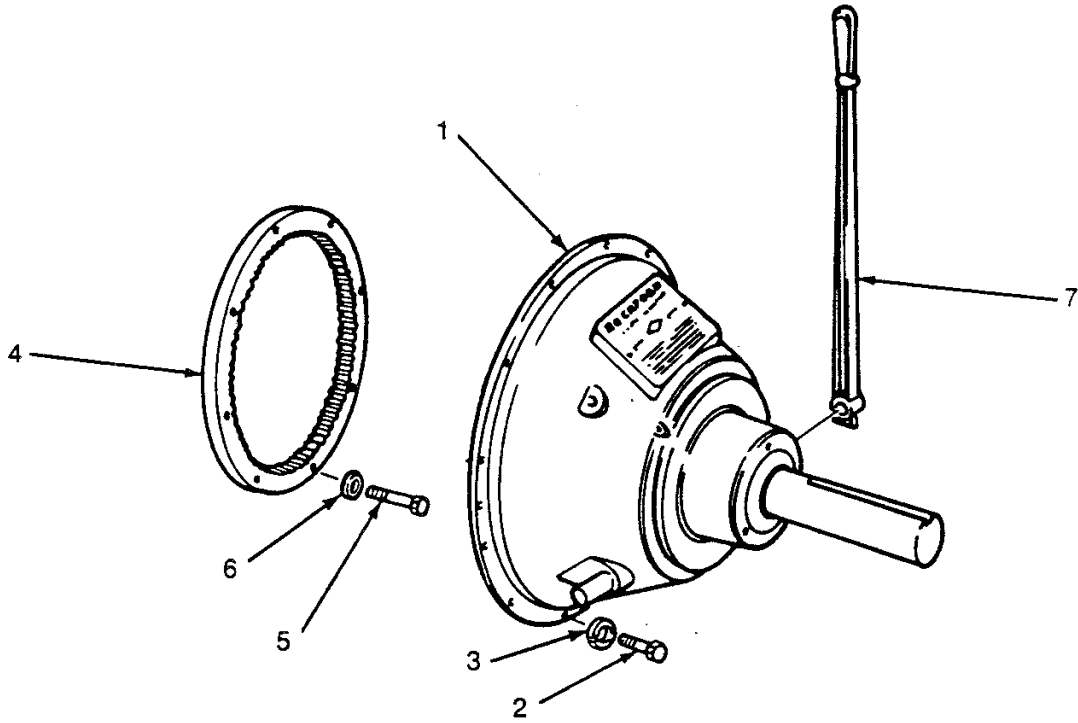
**CSG 649 AND CSG 649P
300 CID
GASOLINE ENGINE AND POWER UNIT**



REF. NO.	YEAR	PART NUMBER	DESCRIPTION	QTY
				300
TRANSMISSION ASSEMBLY - 4 SPEED CENTER SHIFT - WARNER T-18				
1	73/	D3JL-7004-A	* Transmission Assembly	1
2	73/	58699-S2	● Bolt - 9/16-12 x 2.00	2
3	73/	34810-S8	● Washer - 9/16 Lock	2
4	73/	304636-S2	★ Bolt - 3/8-16 x .625	3
5	73/	351487- S7	★ Washer - 3/8 Lock	3
6	73/	TEAA-7085-A	Retainer - Transmission Bearing	1
7	73/	C5TZ-7086-F	Gasket - Transmission Bearing Retainer	1
8	73/	42998-S8	Bolt - 3/8-16 x 1.00 - Hi Fan	4
9	73/	43004-S2	Bolt - 3/8-16 x 1.75	1
10	73/	C1TT - 4813-C	Retainer - Rear Transmission Grease	1
11	73/	01T-7089	Flange - Output	1
12	73/	D3JL-7210-A/NR	Lever - Gear Shift	1
13	73/	8MTH-7207	Gasket - Shift Lever Cap	1
14	73/	COTT-7B125-A	Trunnion - Shift Lever	1
15	73/	B-7227	Spring - Shift Lever	1
16	73/	8MTH-7228		
17	73/	TEAA-7213-A	Ball Shift Lever	1
18	73/	355571-S	Nut - 3/8-24 Hex Jam	1
19	73/	01T-17285-A	Gear - Speedometer Drive	1
20	73/	8J-17288	Spacer - Speedometer Drive Gear	1
TRANSMISSION ASSEMBLY - FMX AUTOMATIC				
		D7FP-7000-PA/NR	■ Transmission Assembly - Not Serviced	1
		D7TP-7000-AGA/NR	■ Transmission Assembly - Not Serviced	1
<p>* Order Transmission Service Parts From The Industrial Power Products Distributor in Your Area</p> <p>● Attach Transmission To Clutch Housing</p> <p>★ Plug Unused Holes in Transmission</p> <p>■ To Order Transmission Service Parts, Refer To The FPSD Light Truck, F100/500 Series, 73/79 Parts Book, Section A70.2</p>				



CSG 649 AND CSG 649P
300 CID
GASOLINE ENGINE AND POWER UNIT



POWER TAKE-OFF ASSEMBLY H.D. OVERCENTER CLUTCH — TYPICAL

IE-42

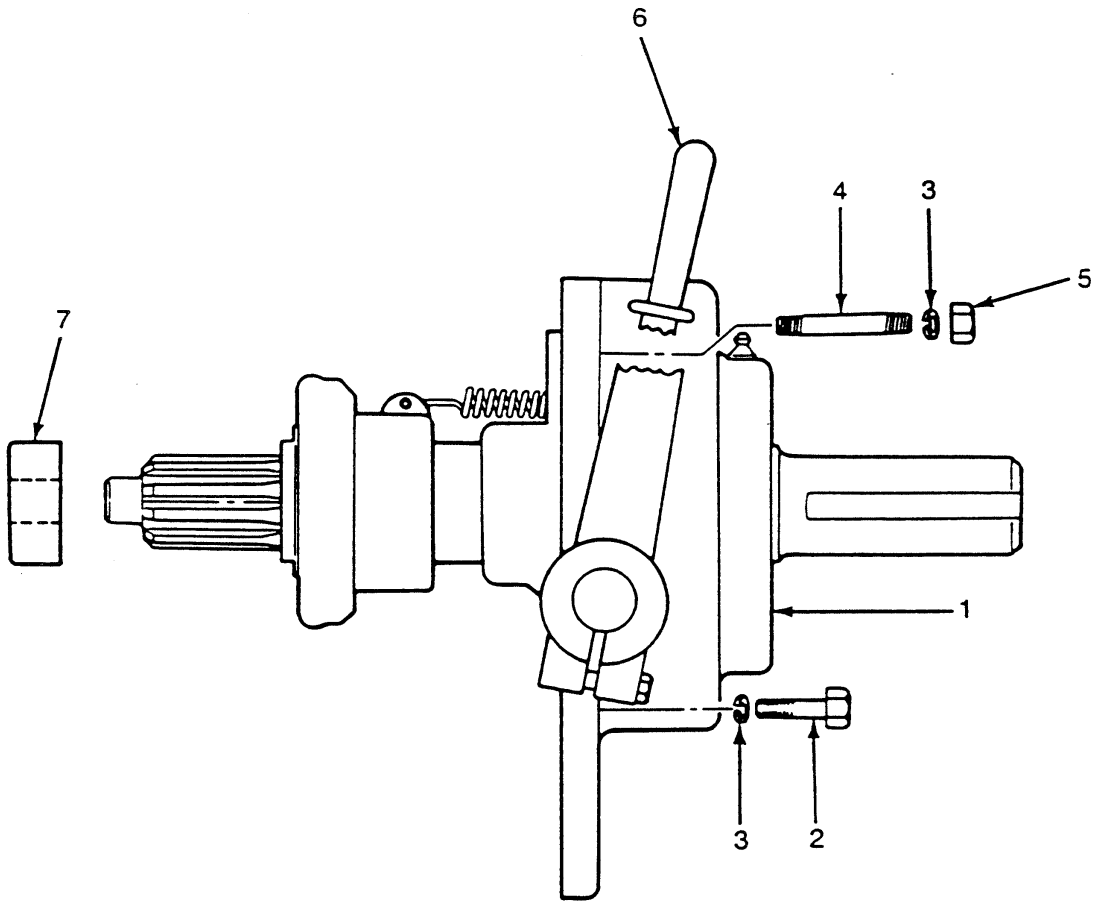
**CSG 649 AND CSG 649P
300 CID
GASOLINE ENGINE AND POWER UNIT**



REF. NO.	YEAR	PART NUMBER	DESCRIPTION	QTY
				300
			POWER TAKE-OFF ASSEMBLY - ROCKFORD WITH 11-1/2 INCH OVER-CENTER CLUTCH - FOR SPEEDS NOT EXCEEDING 2800 RPM	
1	70/	D7JL-7275-E	* Power Take-Off - 11.5 Inch O.C. Clutch	1
2	70/	20388-S8	Bolt - 3/8-16 x 1.00	12
3	70/	34792-S36	Washer - 3/8 Lock	12
4	70/	D7JL-7278-A	Drive Ring	1
5	70/	43006-S/NR	Bolt - 3/8-16 x 2.00	8
6	70/	44877-S2	Washer - 3/8 Flat - Hardened	8
7	70/	D7JL-7K741-B	Handle - PTO	1
			* Order Power Take-Off Service Parts From The Industrial Power Products Distributor in Your Area	



CSG 649 AND CSG 649P
300 CID
GASOLINE ENGINE AND POWER UNIT



POWER TAKE-OFF ASSEMBLY H.D. SPRING LOADED CLUTCH — TYPICAL

IE-43C

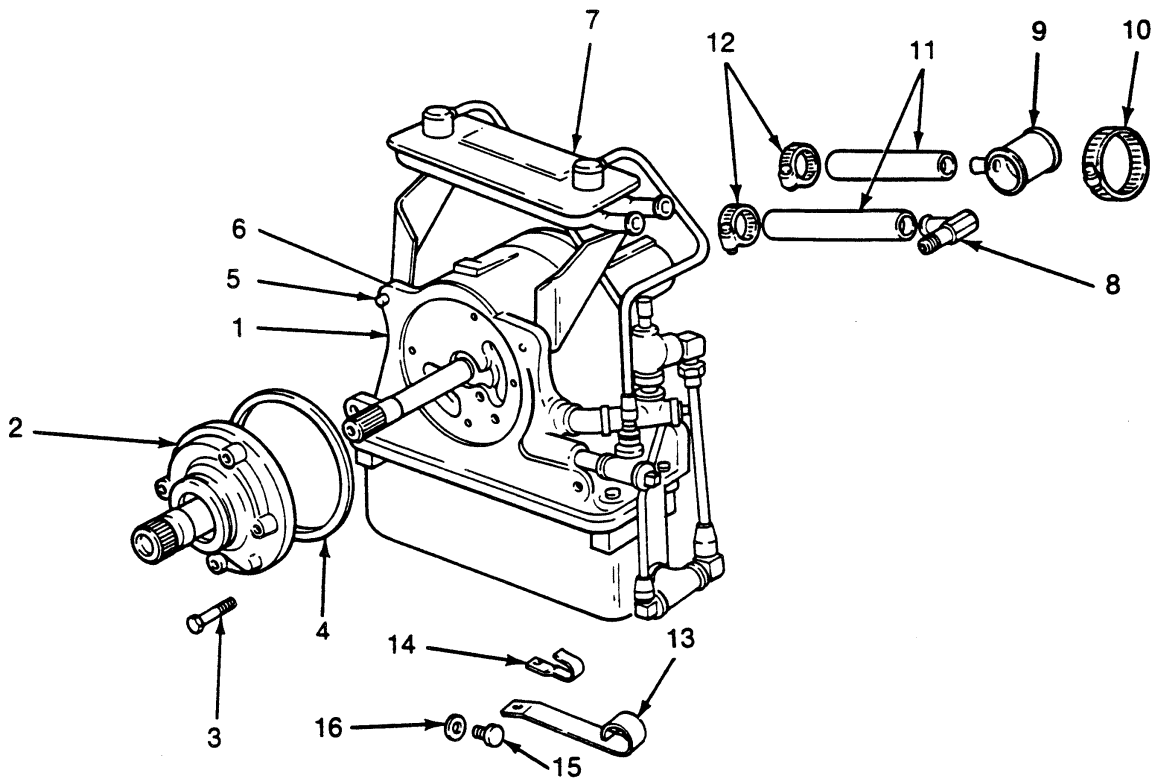
**CSG 649 AND CSG 649P
300 CID
GASOLINE ENGINE AND POWER UNIT**



REF. NO.	YEAR	PART NUMBER	DESCRIPTION	QTY
				300
			POWER TAKE-OFF ASSEMBLY - FUNK H.D. FOR SPRING LOADED CLUTCH (F-10-101)	
1	78/82	B8C-10095-A	* Power Take-Off Assembly - Does Not Include Handle - Use Only With C5TZ-7600-B Pilot Bearing - Not Serviced	1
	83/	E2JL-7275-AA	* Power Take-off Assembly - Does not Include Handle - Use Only With NOT REPLACED Pilot Bearing	1
2	70/	58699-S2	Bolt - 9/16-12 x 2.00	2
3	70/	34810-S8	Washer - 9/16 Lock	4
4	70/	354320-S8	Stud - 9/16-12-18 x 2.56	2
5	70/	33848-S8	Nut - 9/16-18 Lock	2
6	70/	D7JL-7K741-F	Handle - PTO	1
7	70/82	C5TZ-7600-B	Bearing - Ball - Pilot - 1.85 OD x .98 ID x .47 Wide	1
	83/	B8C-10095-A	Bearing - Ball - Pilot	1
			* Order Power Take-Off Service Parts From The Industrial Power Products Distributor in Your Area	



CSG 649 AND CSG 649P
300 CID
GASOLINE ENGINE AND POWER UNIT



**POWER TAKE-OFF ASSEMBLY — TORQUE CONVERTER TYPE
PUMP AND OIL COOLER — TYPICAL**

IE-44

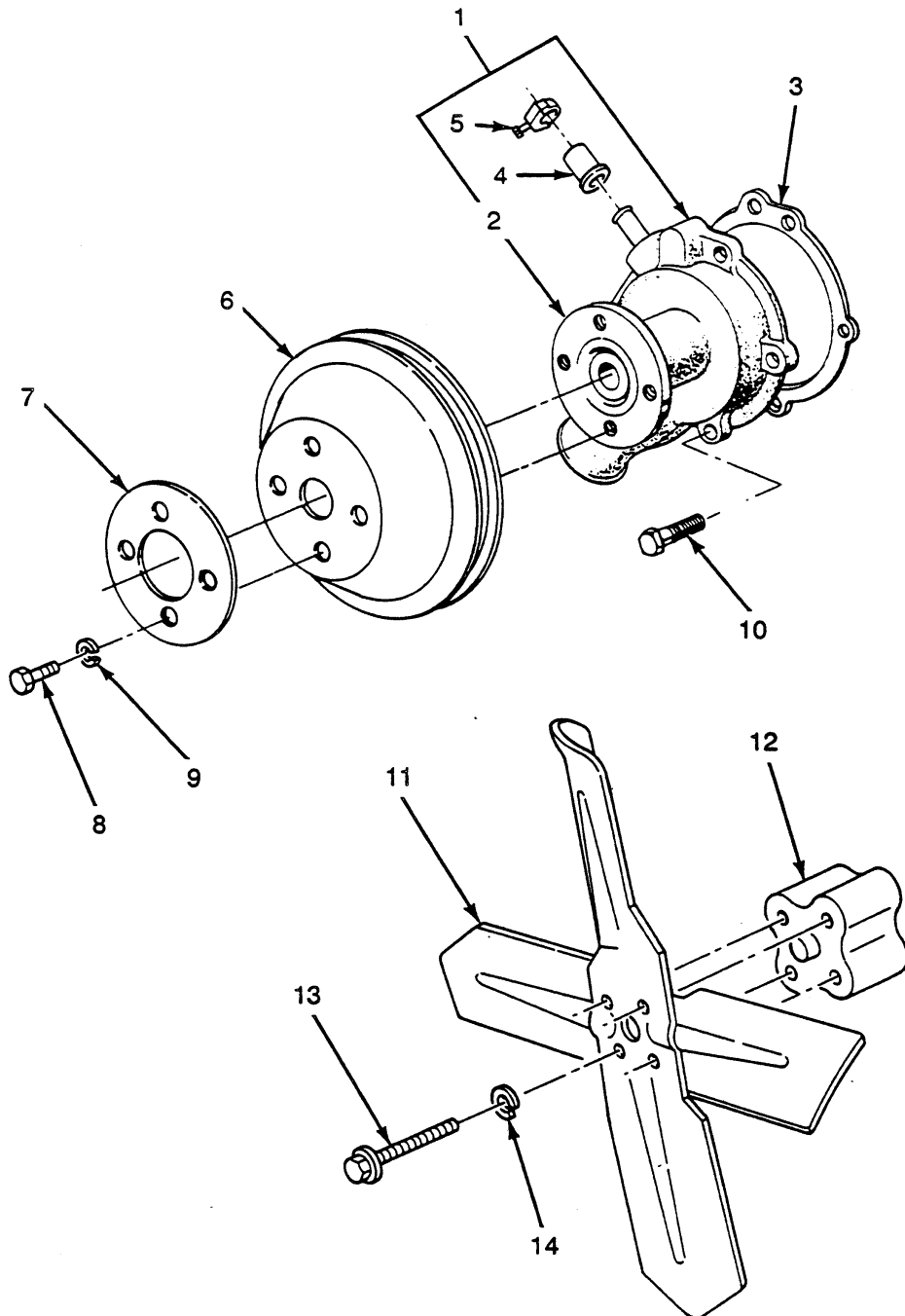
**CSG 649 AND CSG 649P
300 CID
GASOLINE ENGINE AND POWER UNIT**



REF. NO.	YEAR	PART NUMBER	DESCRIPTION	QTY
				300
			POWER TAKE - OFF ASSEMBLY - FUNK, TORQUE CONVERTER TYPE, PUMP AND OIL COOLER	
1	78/80	D2JL-7275-A/NR	* P.T.O. Assembly - Not Serviced	1
2	70/80	C3AZ-7A103-E	Pump Assembly - Front - Not Serviced	1
3	70/80		Bolt - 5/16-18 x 2.00 - Not Serviced	4
4	70/80	B1AZ-7A136-A	Gasket - Pump	1
5	70/80	20470-S8	Bolt - 7/16-14 x 1.50	4
6	70/80	34793-S2	Washer - 7/16 Lock	4
7	70/80	B7D-7870-A	Cooler - Transmission Oil - Not Serviced	1
8	70/80	E8DZ-18599-B	Elbow - 90 Degree - 3/8 NPT To 5/8 Hose	1
9	70/80	B6D-8289-A	Tee - Water Return	1
10	70/80	B7A-8287-B	Clamp - Radiator Hose	2
11	70/80	C5JZ-7B093-A/NR	Hose - Oil Cooler Water - Outlet - Not Serviced	1
	70/80	C5JZ-7B093-B/NR	Hose - Oil Cooler Water - Inlet - Not Serviced	1
12	70/80	B7A-8287-A	Clamp - Cooler Hose	4
13	70/80	7RA-18481	Bracket - Hose	3
14	70/80	358347-S8	Clip	2
15	70/80	20330-S36	Bolt - 7/16-14 x .625	2
16	70/80	34793-S2	Washer - 7/16 Lock	2
			* Order Power Take-Off Service Parts From The Industrial Power Products Distributor in Your Area	



CSG 649 AND CSG 649P
300 CID
GASOLINE ENGINE AND POWER UNIT



WATER PUMP AND RELATED PARTS — TYPICAL

1E-585

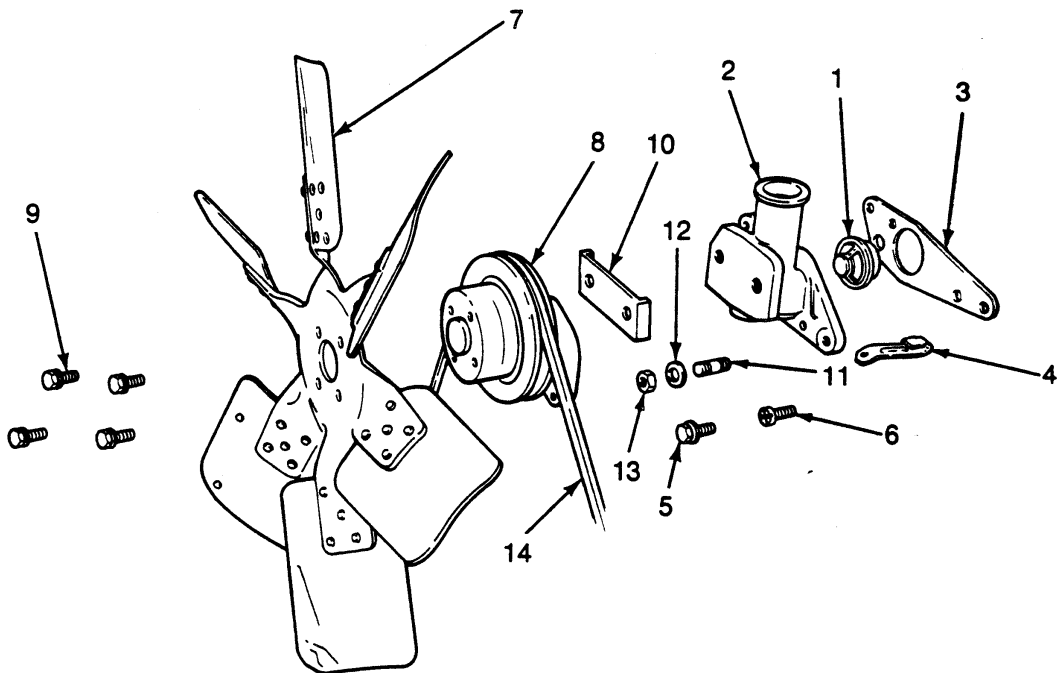
**CSG 649 AND CSG 649P
300 CID
GASOLINE ENGINE AND POWER UNIT**



REF. NO.	YEAR	PART NUMBER	DESCRIPTION	QTY
				300
WATER PUMP AND RELATED PARTS				
1	70/90	E9PZ-8501-B	Pump	1
	90/	F5JE-8501-BA/ 56324-S100	Pump	1
2	70/90	B4A-8553-A	Hub	1
3	70/	C5AZ-8507-A	Gasket - Water Pump Mounting	1
4	70/	C4TZ-8A500-B	Cap - Heater Tube	1
5	70/	97355-S8	Clamp - Heater Tube Cap	1
6	70/90	C5AZ-8509-A	Pulley - Single Sheave	1
	90/	D7JL-8509-A	Pulley - Double Sheave	1
	90/	EOTE-8509-B	Pulley - Triple Sheave	1
7	70/90	B7T-8538-A	Clamping Ring	1
8	70/	377008-S2	Bolt - 5/16-24 x .687	4
9	70/	34791-S36	Washer - 5/16 Lock	4
10	70/	391400-S	Bolt - 5/16-18 x .875	4
11	70/	E4HZ-8600-H	Fan - 4 Blade - 18.00 Inch - Suction	1
	70/	C5JZ-8600-E	Fan - 6 Blade - 18.50 Inch - Suction	1
	70/	D1JJ-8600-J	Fan - 6 Blade - 18.50 Inch - Pusher	1
12	70/90	C9TZ-8546-A	Spacer - 1.75	1
	90/	D1DZ-8546-A	Spacer - 2.18	1
13	70/90	379206-S2	Bolt And Washer - 5/16-24 x 2.75	
	90/	300891-S2	Bolt - 5/16-24 x 3.00	4
14	90/	34791-S36	Washer - 5/16 Lock	4



CSG 649 AND CSG 649P
300 CID
GASOLINE ENGINE AND POWER UNIT



THERMOSTAT, FAN AND RELATED PARTS — TYPICAL

IE-46

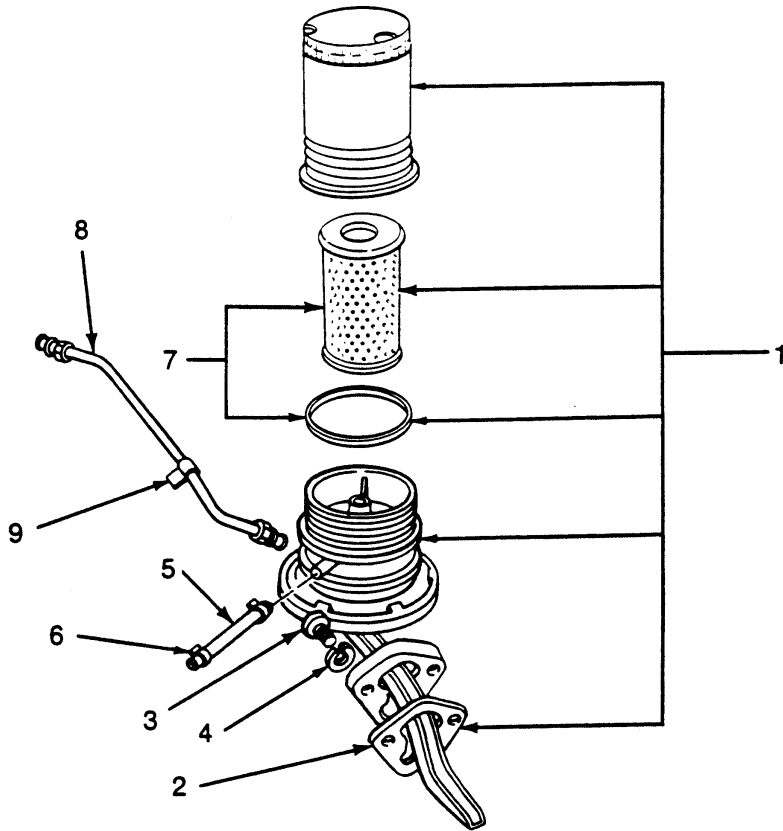
**CSG 649 AND CSG 649P
300 CID
GASOLINE ENGINE AND POWER UNIT**



REF. NO.	YEAR	PART NUMBER	DESCRIPTION	QTY
				300
THERMOSTAT, FAN AND RELATED PARTS				
THERMOSTAT AND WATER OUTLET CONNECTION				
1	70/	C5TE-8575-B	Thermostat - 160°F	1
2	70/	E5JL-8592-AA	Connection - Water Outlet - Hi Fan	1
	70/	E7TZ-8592-A	Connection - Water Outlet - Lo Fan	1
3	70/	E5JL-8255-AA	Gasket - Water Outlet Connection - Hi Fan	1
	70/	E6TZ-8255-B	Gasket - Water Outlet Connection - Lo Fan	1
4	70/	C5AE-9C322-A	Bracket - Fuel Pump To Carburetor Tube	1
5	70/	391400-S	Bolt - 5/16-18 x .875	2
6	70/	42998-S8	Bolt - 3/8-16 x 1.00 - Hi Fan	2
FAN ASSEMBLY - HI MOUNT				
7	70/	EAG-8600-B	Fan - 5 Blade - 17.00 Inch - Suction	1
	70/	C5JZ-8600-N	Fan - 6 Blade - 18.50 Inch - Suction	1
	70/	C7JZ-8600-D	Fan - 6 Blade - 18.50 Inch - Pusher	1
8	70/	E5JL-8625-BA	Bracket And Pulley Assembly	1
9	70/	42760-S8	Screw And Washer - 5/16-18 x 7/8	4
10	70/	C5JZ-8633-A	Guide - Fan Bracket	1
11	70/	88423-S36	Stud - 7/16-14-20 x 1.88	2
12	70/	44878-S2	Washer - 7/16 Flat	2
13	70/	34422-S8	Nut - 7/16-20 Hex Lock	2
14	70/	C7JZ-8620-H	Bolt - Fan 1/2 x 40.40	1



CSG 649 AND CSG 649P
300 CID
GASOLINE ENGINE AND POWER UNIT



FUEL PUMP AND RELATED PARTS — TYPICAL

IE-47

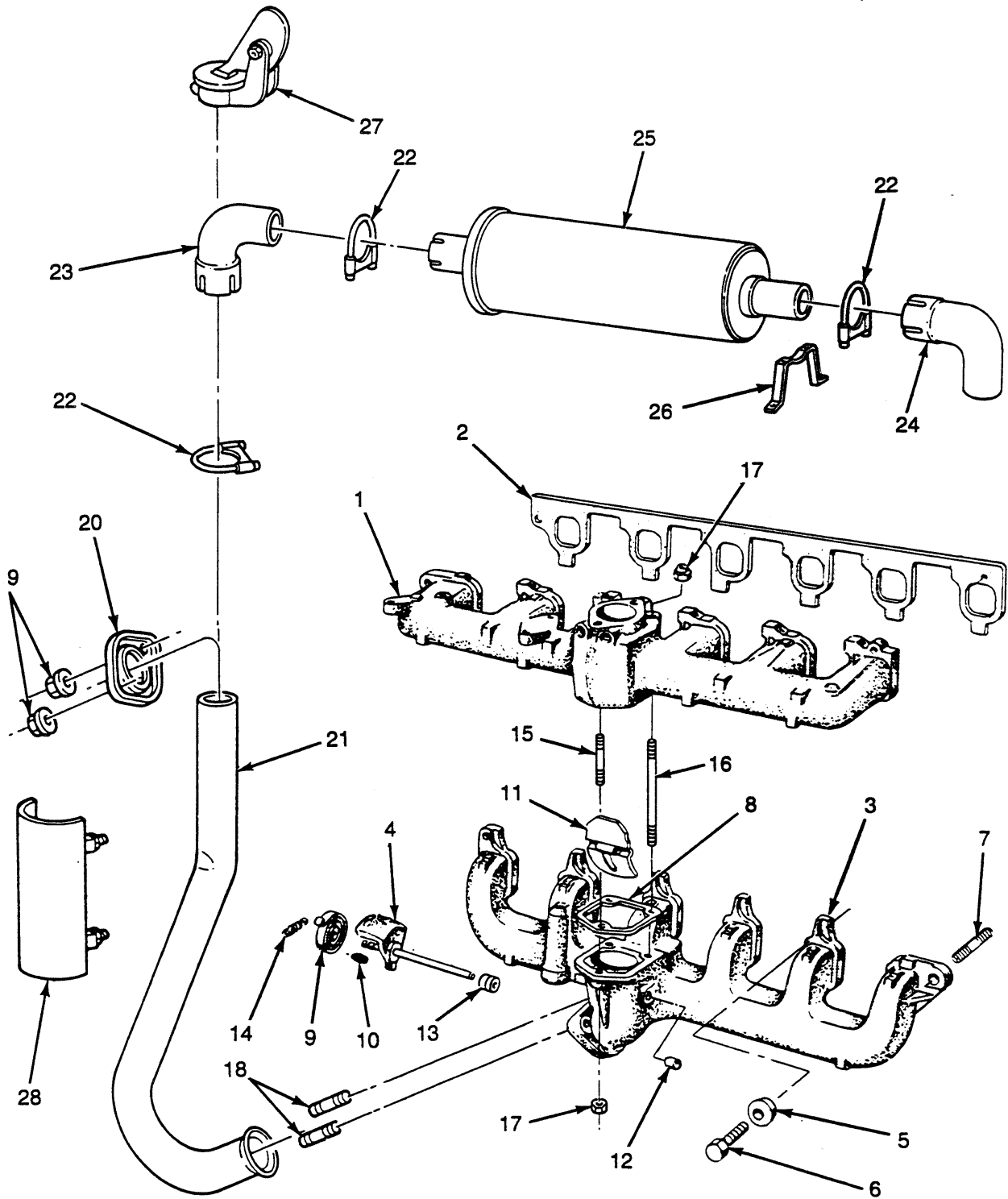
**CSG 649 AND CSG 649P
300 CID
GASOLINE ENGINE AND POWER UNIT**



REF. NO.	YEAR	PART NUMBER	DESCRIPTION	QTY
				300
FUEL PUMP AND RELATED PARTS				
PUMP ASSEMBLY - FUEL				
1	70/	D2TE-9350-RA	Pump	1
2	70/	C3AZ-9417-B	Gasket - Fuel Pump	1
3	70/	20426-S8	Bolt - 5/16-18 x 1.25	2
4	70/	34791-S36	Washer - 5/16 Lock	2
5	70/	C2AA-9324-A	Hose - Fuel Tube Connector	1
6	70/	N807603-S8	Clamp - Hose	2
7	70/	C4AZ-9365-B	Fuel Filter Element	1
8	70/76	C5JZ-9369-B	Fuel Line - Fuel Pump To Carburetor - Used With Mechanical Governor - Holley 1904 Carburetor	1
	70/76	DOJJ-9369-A/NR	Fuel Line - Fuel Pump To Carburetor - Used Without Mechanical Governor Holley 1904 Carburetor - Not Serviced	1
	76/	D7JL-9369-A	Fuel Line - Fuel Pump To Carburetor - Used Without Mechanical Governor Holley 1940 Carburetor	1
	76/	D7JL-9369-B	Fuel Line - Fuel Pump To Carburetor - Used With Mechanical Governor Holley 1940 Carburetor	1
9	70/76	382987-S	Strap - Bundling	1



CSG 649 AND CSG 649P
300 CID
GASOLINE ENGINE AND POWER UNIT



MANIFOLD, EXHAUST SYSTEM AND RELATED PARTS — TYPICAL

IE-586

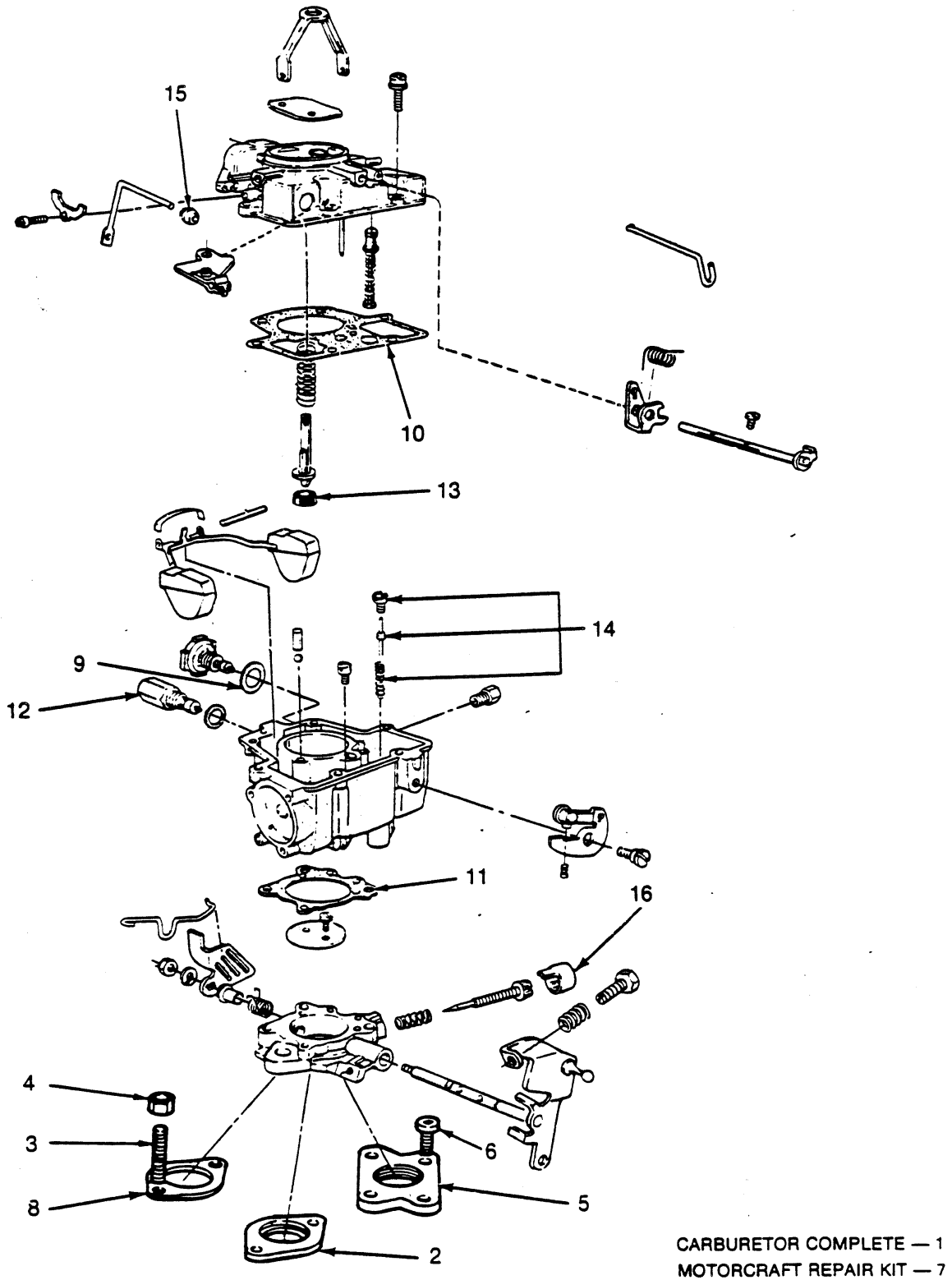
**CSG 649 AND CSG 649P
300 CID
GASOLINE ENGINE AND POWER UNIT**



REF. NO.	YEAR	PART NUMBER	DESCRIPTION	QTY
				300
MANIFOLD, EXHAUST SYSTEM AND RELATED PARTS				
MANIFOLD ASSEMBLY - INTAKE				
1	70/76	C5AZ-9424-E	Manifold Assembly	1
	76/	D7TZ-9424-M	Manifold Assembly	1
2	70/	E5TZ-9439-C	Gasket - Intake Manifold	1
MANIFOLD ASSEMBLY - EXHAUST				
3	70/83	E3TZ-9426-D	Manifold Assembly	1
	84/	E4TZ-9426-D	Manifold Assembly	1
4	70/	C5AZ-9A430-A	Shaft And Counterweight Assembly - Exhaust Control Valve	1
5	70/	E7TZ-9443-A	Clamp - Intake And Exhaust Manifold	A/R
6	70/	390530-S2	Bolt - 3/8-16 x 1.312	A/R
7	70/	390528-S100	Stud - 3/8-16 x 2.42	A/R
8	70/74	C5AZ-9448-B	Gasket - Manifold	1
9	70/	C5AZ-9449-A	Spring - Exhaust Control Valve	1
10	70/	C5AZ-9A458-A	Stop - Exhaust Control Valve Spring	1
11	70/	C5AZ-9460-A	Valve - Exhaust Control	1
12	70/	C5AZ-9462-A	Bushing - Exhaust Control Valve	1
	70/	C5AZ-9462-C	Bushing - Exhaust Control Valve - .010 O/S	A/R
13	70/	C5AZ-9462-B	Bushing - Exhaust Control Valve	1
14	70/	C5AZ-9A469-A	Spring - Exhaust Control Valve Tension	1
15	70/	E8TZ-9427-A	Stud - 3/8-16-24 x 2.25	1
16	70/	E7TZ-9427-A	Stud - 3/8-16-24 x 4.75	2
17	70/	C9AZ-6212-B	Nut - 3/8-24	3
EXHAUST PIPE, MUFFLER AND RELATED PARTS				
18	84/	376699-S2	Stud - 7/16-14 x 2.18	2
19	84/	387039-S60	Nut 7/16-14	2
20	84/	D2AA-5269-AA	Flange - Exhaust Pipe	1
21	84/	E3JL-5220-AA	Pipe - Exhaust - Underhood Muffler	1
	84/	E3JL-5220-BA	Pipe - Exhaust - Hood Top Muffler	1
	84/	E3JL-5220-CB	Pipe - Exhaust - Low Mounted Muffler	1
22	84/	EOJL-5A231-AA	Clamp - Exhaust Pipe	A/R
23	84/	C4JZ-5246-A	Pipe - Inlet Extension - Hood Top Muffler	1
24	84/	C5JZ-5246-B	Elbow - Exhaust Outlet - Hood Top muffler	1
25	84/	C5JZ-5230-A	Muffler - Underhood	1
	84/	C5TZ-5230-C	Muffler - Hood Top	1
	84/	COJZ-5230-A	Muffler - Low Mount	1
26	84/	C5JZ-5288-A	Support - Exhaust Outlet - Hood Top Muffler	1
27	70/	C7NN-5C208-EKG	Rain Cap	1
28	91/	F1JL-5E297-AA	Heat Shield	1



CSG 649 AND CSG 649P
300 CID
GASOLINE ENGINE AND POWER UNIT



CARBURETOR AND RELATED PARTS — TYPICAL

IE-49

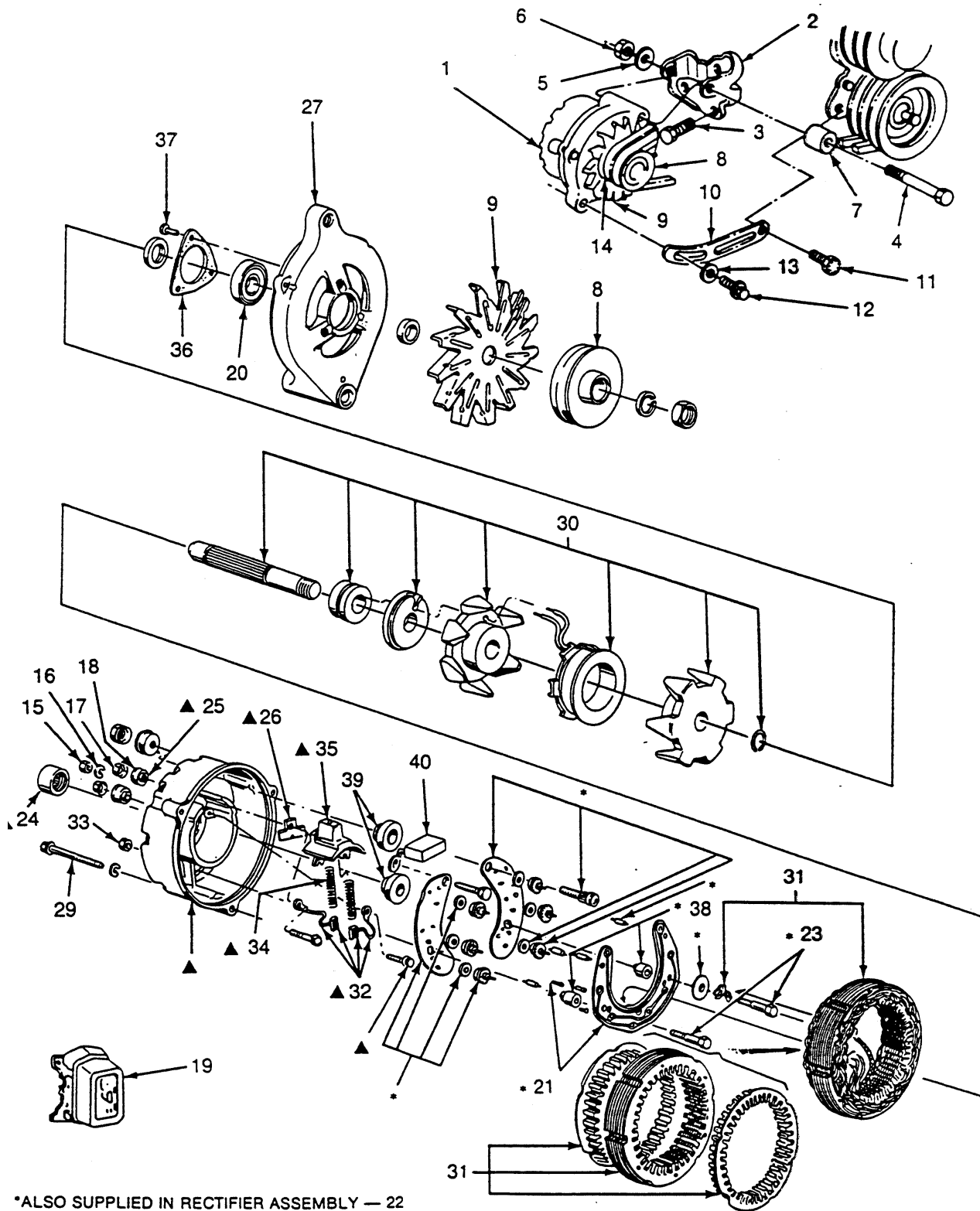
**CSG 649 AND CSG 649P
300 CID
GASOLINE ENGINE AND POWER UNIT**



REF. NO.	YEAR	PART NUMBER	DESCRIPTION	QTY
				300
CARBURETOR AND RELATED PARTS				
CARBURETOR ASSEMBLY - WITH MECHANICAL GOVERNOR				
1	70/76	D3JL-9510-B	Carburetor Assembly - Holley 1904 - Not Serviced	1
	76/	D7JL-9510-A	Carburetor Assembly - Holley 1940	1
2	70/76	C5AZ-9A589-A	Spacer - Carburetor To Intake Manifold	1
3	70/	359524-S8	Stud - 3/8-16-24 x 1.30	2
4	70/	355571-S	Nut - 3/8-24 Hex	2
5	70/76	C5JZ-9485-B	Adapter - Carburetor	1
	76/	D7JL-9485-B	Adapter - Carburetor	1
6	70/76	281	Screw - 3/8-16 x 1.0 - Not Serviced	2
	76/	302217-S2	Screw - 3/8-16 x .88	2
8	70/	C5JZ-9447-A	Gasket - Carburetor To Adapter And Adapter To Manifold	A/R
CARBURETOR ASSEMBLY - WITHOUT MECHANICAL GOVERNOR				
1	70/76	DOJJ-9510-A	Carburetor Assembly - Holley 1904 - Not Serviced	1
	76/	D9JL-9510-H/NR	Carburetor Assembly - Holley 1940	1
2	70/76	C5AZ-9A589-A	Spacer - Carburetor To Intake Manifold	1
	76/	E4TZ-9C477-A	Spacer - Carburetor To Intake Manifold	
3	70/	88402-S8	Stud - 3/8-16-24 x 1.62	2
4	70/	355571-S	Nut - 3/8-24 Hex	2
CARBURETOR REPAIR KIT				
7	70/76	CT-883	Kit - Repair	1
	76/	CT-223-B	Kit - Repair	1
CONSISTS OF:				
8			Gasket - Carburetor Flange	7
9			Gasket - Spark Valve	1
10			Gasket - Fuel Bowl To Body	1
11			Gasket - Throttle Body	3
12			Needle and Seat Assy.	1
13			Cup - Pump Piston	1
14			Power Valve	1
15			Seal - Pump Rod	1
16			Cap - Idle Limiter	1
17			Gasket - Thermo Housing Plate - Not Illustrated	1
18			Gasket - Choke Cover - Not Illustrated	1



CSG 649 AND CSG 649P
300 CID
GASOLINE ENGINE AND POWER UNIT



*ALSO SUPPLIED IN RECTIFIER ASSEMBLY — 22
▲ALSO SUPPLIED IN REAR HOUSING ASSEMBLY — 28

ALTERNATOR AND RELATED PARTS — TYPICAL

IE-443

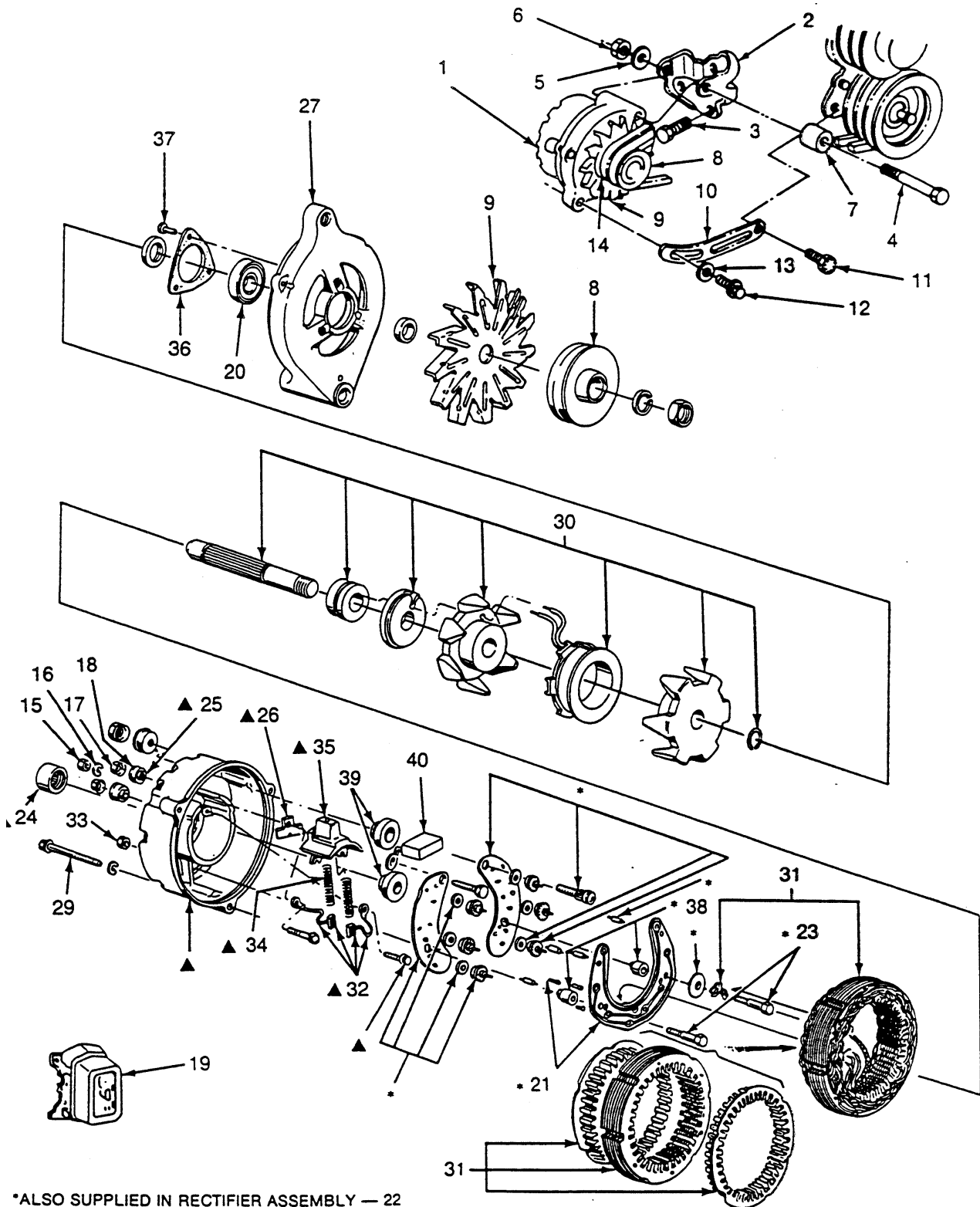
**CSG 649 AND CSG 649P
300 CID
GASOLINE ENGINE AND POWER UNIT**



REF. NO.	YEAR	PART NUMBER	DESCRIPTION	QTY
				300
ALTERNATOR AND RELATED PARTS				
ALTERNATOR ASSEMBLY - 12V 42 AMP				
1	70/75	D2AZ-10346-C	Alternator Assembly - Not Serviced - Replaced By D7AZ-C	1
2	70/75	C5AZ-10A313-C	Bracket - Alternator Mounting	1
3	70/75	42996-S36	Bolt - 3/8-16 x 3.4 Locking	1
4	70/75	302559-S8	* Bolt - 7/16-14 x 4.25	1
5	70/75	34793-S2	* Washer - 7/16 Lock	1
6	70/75	34670-S2	* Nut - 7/16-14	1
7	70/75	385049-S100	* Spacer	1
8	70/75	C5AZ-10344-K	Pulley - Alternator	1
	70/75	C6JZ-10344-A	Pulley - Alternator - Use With Mechanical Governor	1
9	70/75	E5SZ-10A310-A	Fan - Alternator	1
10	70/75	C5TZ-10145-G	Arm - Adjusting	1
11	70/75	42961-S8	Bolt - 5/16-18 x 1.625	1
12	70/75	42999-S8	● Bolt - 3/8-16 x 1.12 Self Locking	1
13	70/75	44728-S36	● Washer - 3/8 Flat	1
14	70/75	C9PZ-8620-GM	Belt - Drive - 15/32 x 41.31	1
15	70/75	34053-S8	★ Nut - 10-32 Hex	3
16	70/75	34803-S8	★ Washer - No. 10 Lock	3
17	70/75	33795-S8	★ Nut - 1/4-20	1
18	70/75	34805-S8	★ Washer - 1/4 Lock	1
19	70/75	FOPZ-10316-A	Voltage Regulator	1
20	70/75	C9ZZ-10094-A	Bearing - Front	1
21	70/75	DOAZ-10B301-A	Board Kit - Printed Circuit	1
			CONSISTS OF:	
	70/75	374412-S100	Washer	2
	70/75	383255-S	Nut - 10-24	2
	70/75	383758-S8	Screw	2
	70/75	C8AF-10B301-A	Board Assy.	1
	70/75	C9AF-10B306-A	Ring	9
22	70/75	D6AZ-10304-A	Rectifier Assembly	1
			CONSISTS OF:	
	70/75	374412-S100	Washer	2
	70/75	383255-S8	Nut - No. 10-24	2
	70/75	383256-S8	Nut - 1/4-20	2
	70/75	383758-S	Screw - No. 10-24 x 1 37/64	2
	70/75	C7AZ-1383-A	Insulator	1
	70/75	DOAF-10A383-A	Insulator - Diode Plate	1
	70/75	DOZF-10304-B/NR	Rectifier	1
23	70/75		Screw- No. 10-24 x 1-37/64 - Not Serviced Separately	2
24	70/75	D2OZ-10A304-A	Bearing - Rear	1
25	70/75	C5AZ-10329-D	Insulator - Terminal - White - 9/32 ID x 5/8 OD x 1/4 Thick	1
26	70/75	C5AZ-10329-C	Insulator - Terminal - 1/16 x 3/4 x 1	1
27	70/75	E6AZ-10333-A	Housing - Front	1
28	70/75	D7ZZ-10334-A	Housing - Rear	1
29	70/75	378466-S100	Bolt - Hex Washer Head - No. 10-24 x 2-1/8	3
30	70/75	F27Z-10335-A	Rotor Assembly - Includes Stop Ring	1
31	70/75	E43Z-10336-A	Stator Assembly	1
32	70/75	C6VY-10347-A	Brush And Terminal Set	1
			CONSISTS OF:	
	70/75	C6VF-10A367-A	Brush And Terminal	1
	70/75	C6VF-10A367-B	Brush And Terminal	1
33	70/75	383255-S	Nut - 10-24	1
34	70/75	C5AZ-10349-A	Spring - Brush	2
35	70/75	C5AZ-10351-A	Holder - Brush	1
<p>* Attach Alternator To Mounting Bracket ● Attach Arm To Alternator ★ Attach Wires To Alternator Terminals</p>				



CSG 649 AND CSG 649P
300 CID
GASOLINE ENGINE AND POWER UNIT



*ALSO SUPPLIED IN RECTIFIER ASSEMBLY — 22
▲ALSO SUPPLIED IN REAR HOUSING ASSEMBLY — 28

ALTERNATOR AND RELATED PARTS — TYPICAL

IE-443

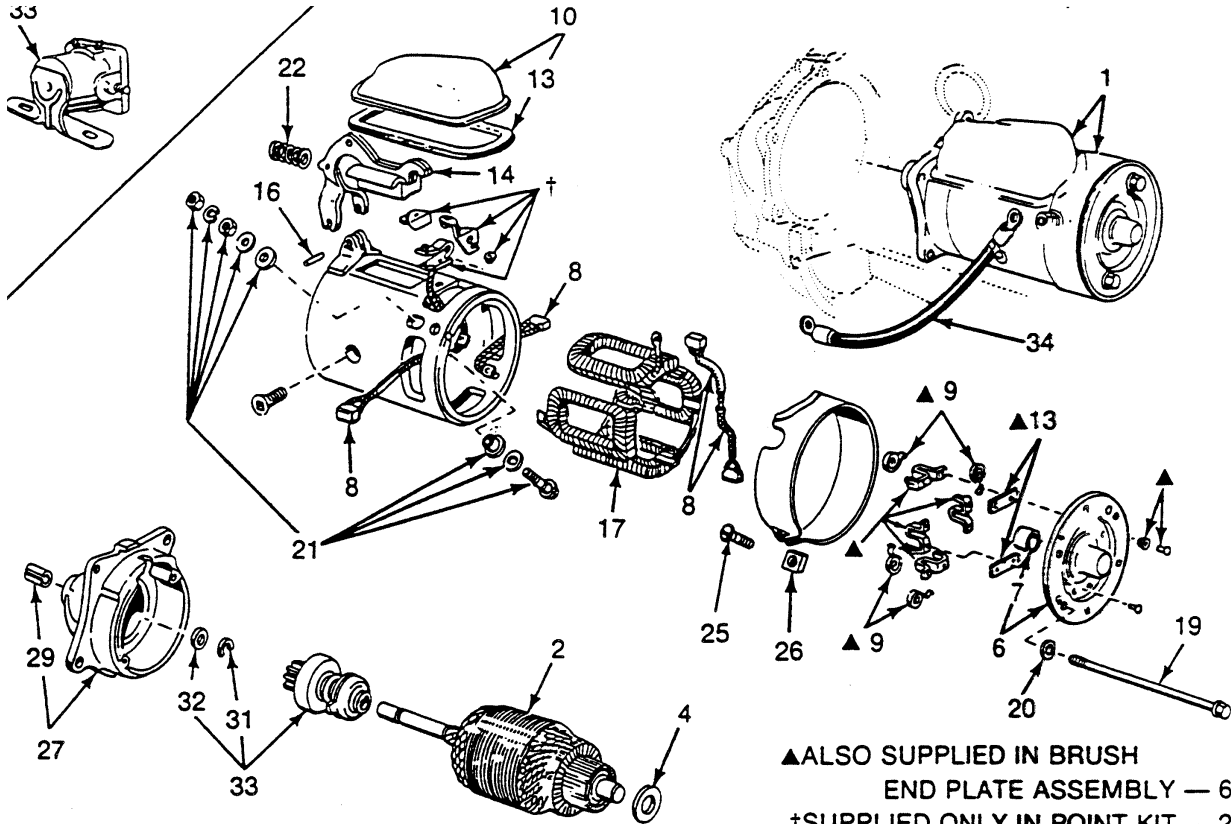
**CSG 649 AND CSG 649P
300 CID
GASOLINE ENGINE AND POWER UNIT**



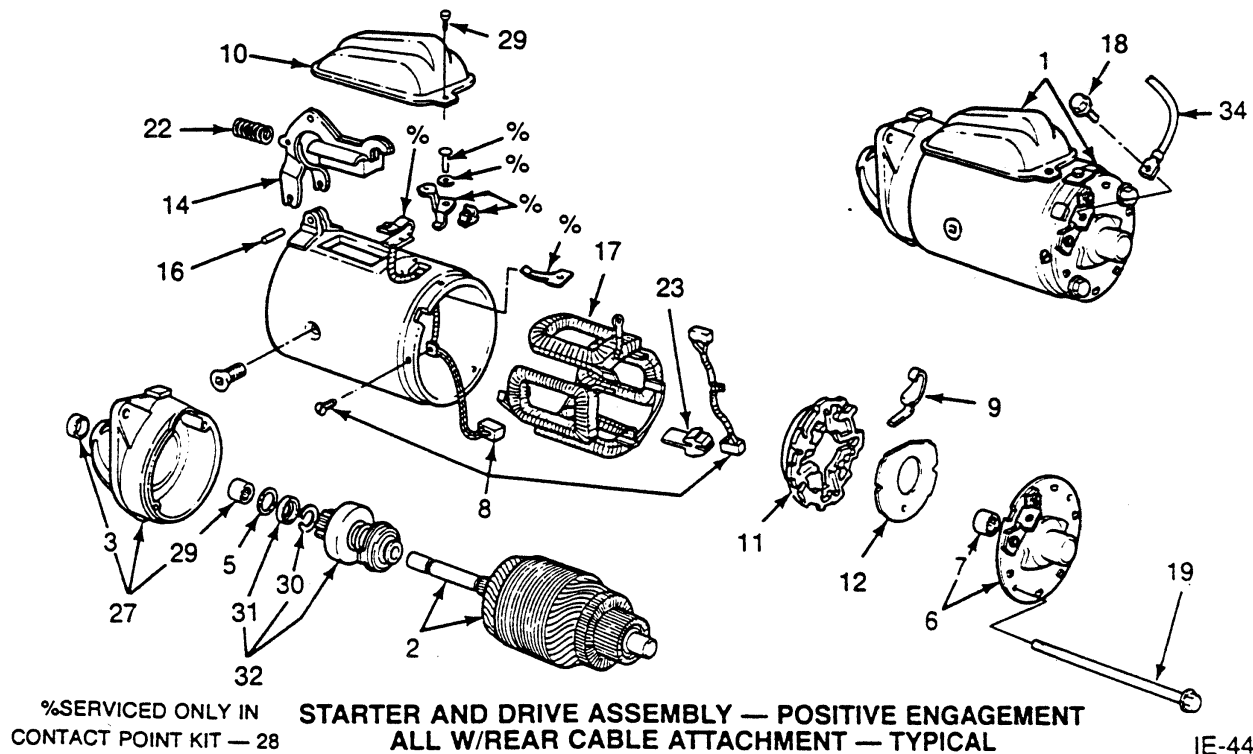
REF. NO.	YEAR	PART NUMBER	DESCRIPTION	QTY
				300
ALTERNATOR AND RELATED PARTS (CONTINUED)				
ALTERNATOR ASSEMBLY - 12V 42 AMP (CONTINUED)				
36	70/75	D2OZ-10A355-A	Retainer - Front Bearing	1
37	70/75		Screw No. 10-32 x 3/8 - Not Serviced	3
38	70/75	C9SZ-10A383-A	Insulator Kit - Terminal	1
	70/75	C7AF-10329-D	CONSISTS OF: Insulator - Terminal	1
	70/75	C7AF-10A383-A	Insulator - Diode Plate	1
	70/75	C9SF-10A883-A	Insulator - Diode Plate	1
39	70/75	D1AZ-10A383-A	Insulator Kit - Battery Terminal	1
	70/75	DOAF-10329-A	CONSISTS OF: Insulator - Terminal	1
	70/75	DOAF-10A383-A	Insulator - Diode Plate	1
40	70/75	C6AZ-18827-A	Capacitor - Radio	1
ALTERNATOR - MOTOROLA - 12V - 37 AMP				
1	75/	D3JL-10346-AB	Alternator And Regulator - 37 Amp. - Less Pulley	1
2	75/	C4AZ-10A313-C	Bracket - Alternator Mounting	1
3	75/	42996-S36	† Bolt - 3/8-16 x 3/4 Locking	3
4	75/	58666-S36	† Bolt - 7/16-14 x 4.25	1
6	75/	382400-S2	† Nut - 7/16-14	1
8	75/	D3JL-10A352-D	Pulley - Alternator - Double Sheave	1
	75/	E5JL-10344-AA	Pulley - Alternator - Triple Sheave	1
10	75/	C5TZ-10145-G	Arm - Adjusting	1
11	75/	42961-S8	♣ Bolt - 5/16-18 x 1.625	1
12	75/	42999-S8	♣ Bolt - 3/8-16 x 1.12 - Self Locking	1
13	75/	44728-S36	Washer - 3/8 Flat	1
14	75/	C9PZ-8620-GM	★ Belt - Drive - 15/32 x 41.31	2
19	75/	D3JL-10316-A	Regulator - Voltage	1
<p>★ Must Be A Matched Set † Attach Alternator To Mounting Bracket ♣ Attach Adjusting Arm Thru Front Cover To Block ♣ Attach Adjusting Arm To Alternator</p>				



CSG 649 AND CSG 649P
300 CID
GASOLINE ENGINE AND POWER UNIT



STARTER AND DRIVE ASSEMBLY — POSITIVE ENGAGEMENT — TYPICAL



IE-444A

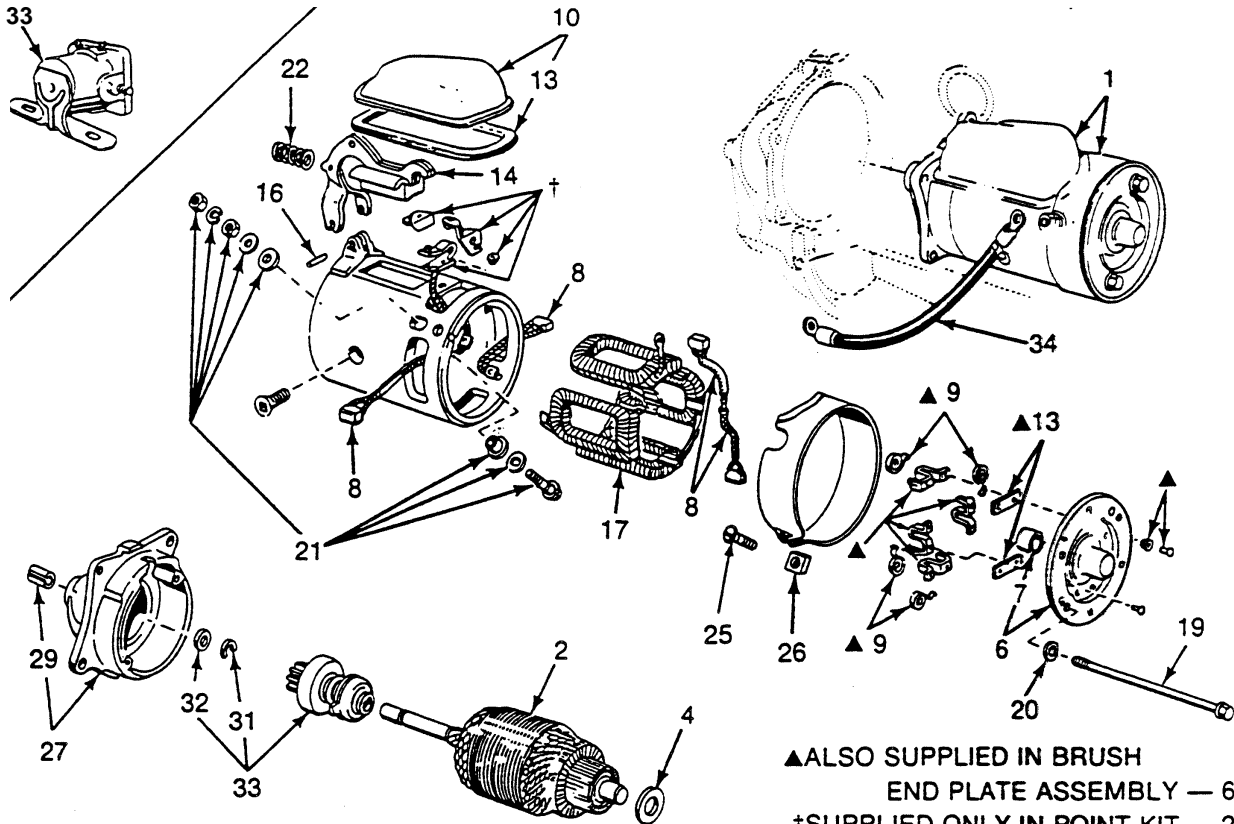
**CSG 649 AND CSG 649P
300 CID
GASOLINE ENGINE AND POWER UNIT**



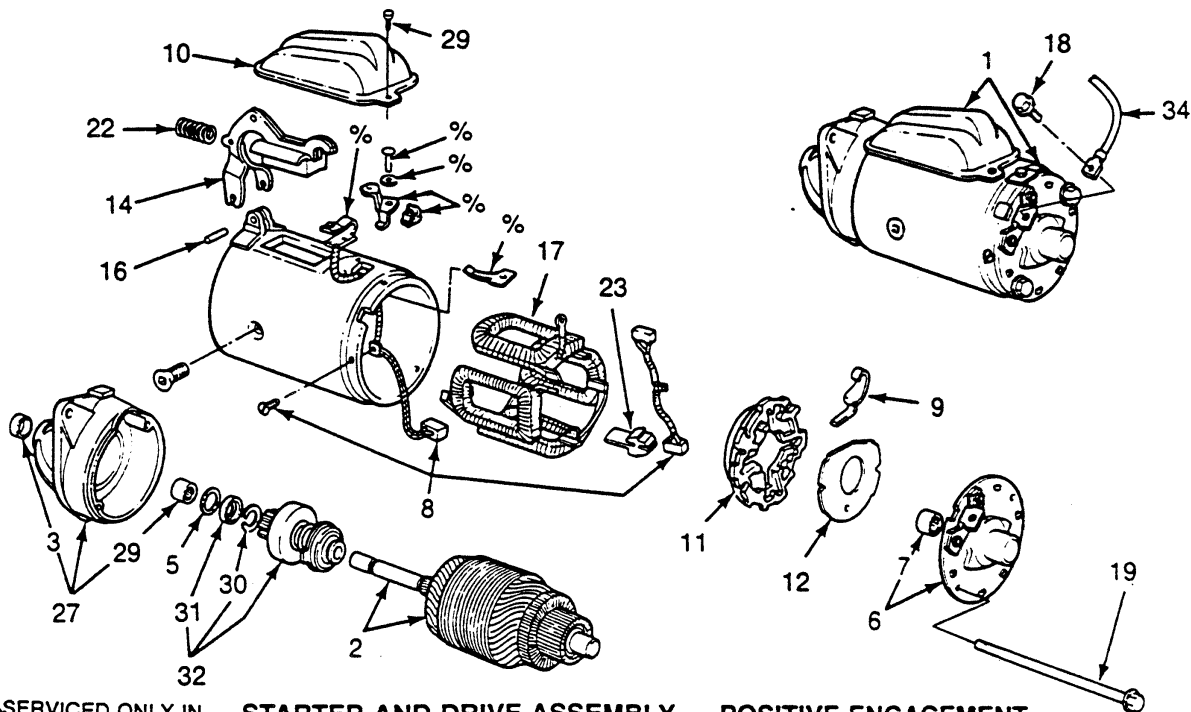
REF. NO.	YEAR	PART NUMBER	DESCRIPTION	QTY
				300
STARTER AND RELATED PARTS POSITIVE ENGAGEMENT				
STARTER AND DRIVE ASSEMBLY				
1	70/77	D6OZ-11002-A	Starter Motor - 12V - Not Serviced	1
	77/81	D7OZ-11002-A	Starter Motor - 12V - Not Serviced	1
	81/83	E1AZ-11002-B	Starter Motor - 12V	1
	83/84	E3AZ-11002-A	Starter Motor - 12V - Not Serviced	1
	84/92	E4DZ-11002-B	Starter Motor - 12V - Not Serviced	1
2	70/83	D7AZ-11005-A	Armature	1
	83/84	E2BZ-11005-A	Armature	1
	84/91	E3FZ-11005-A	Armature	1
3	70/77	DOAZ-11K013-A	Seal - Drive End Housing - Not Serviced Separately	1
4	70/77	CODZ-11036-A	Washer - Armature Thrust - Not Serviced	1
5	70/92	C6VY-11036-A	Washer - Drive Thrust	1
6	70/77	C4TZ-11049-B	Plate And Bushing - Brush End	1
	77/83	D7AZ-11049-A	Plate And Bushing - Brush End	1
	83/92	E4AZ-11049-A	Plate And Bushing - Brush End	1
7	70/92	D3AZ-11052-A	Bushing - Brush End Plate	1
8	70/77	CODZ-11057-B	Brush Set	1
			CONSISTS OF:	
	70/77	55	Instruction Sheet	1
	70/77	18-11056	Brush Set	1
	70/77	25247-S7	Screw	1
	70/77	C5AF-11055-A/NR	Brush	1
	70/77	CODF-11056-B/NR	Brush	1
	77/83	D7AZ-11057-A	Brush Set	1
			CONSISTS OF:	
	77/83	55	Instruction Sheet	1
	77/83	50399-S36/NR	Screw	2
	77/83	D8AF-11055-BA/NR	Brush	1
	77/83	D8AF-11056-AA/NR	Brush	1
	83/92	E4PZ-11057-A	Brush Set	1
9	70/77	D1AZ-11059-A	Spring - Brush - Not Serviced	4
	77/92	D7AZ-11059-A	Spring - Brush	4
10	70/81	D8AZ-11060-A	Cover - Plunger	1
	81/83	E1AZ-11060-A	Cover - Plunger	1
	83/92	E2BZ-11060-A	Cover - Plunger	1
11	77/83	D7AZ-11061-A	Holder - Brush	1
	83/84	E2BZ-11061-A	Holder - Brush	1
	84/92	E4AZ-11061-A	Holder - Brush	1
12	77/83	D7AZ-11062-A	Insulator - Brush Holder	1
	83/92	E2BZ-11062-A	Insulator - Brush Holder	1
13	70/77	CODF-11065-A	Gasket - Plunger Cover	1
14	70/77	CODF-11067-B	Lever - Drive	1
	77/81	D7AZ-11067-A	Lever - Drive	1
	81/83	E1AZ-11067-A	Lever - Drive	1
	83/92	F2BZ-11067-A	Lever - Drive - Includes Pin	1
16	77/81	378962-S	Pin - Lever to Housing - Not Serviced	1
	81/83	389130-S	Pin - Lever to Housing	1
	70/77	73266-S	Pin - Lever to Housing - Not Serviced	1
17	70/77	C6VY - 11082-B	Coil - Field - Complete	1
	77/83	D7OZ-11082-A	Coil - Field - Complete	1
	83/84	E2BZ-11082-A	Coil - Field - Complete	1
	84/92	E4AZ-11082-A	Coil - Field - Complete	1
18	77/92	385022-S100	Screw And Washer - Cable To Plate	1
19	70/83	C3AZ-10120-A	Bolt - Thru	2
	83/84	E2BZ-11091-A	Bolt - Thru	2
	84/92	E3FZ-11091-A	Bolt - Thru	2



CSG 649 AND CSG 649P
300 CID
GASOLINE ENGINE AND POWER UNIT



STARTER AND DRIVE ASSEMBLY — POSITIVE ENGAGEMENT — TYPICAL



%SERVICED ONLY IN
CONTACT POINT KIT — 28

STARTER AND DRIVE ASSEMBLY — POSITIVE ENGAGEMENT
ALL W/REAR CABLE ATTACHMENT — TYPICAL

IE-444A

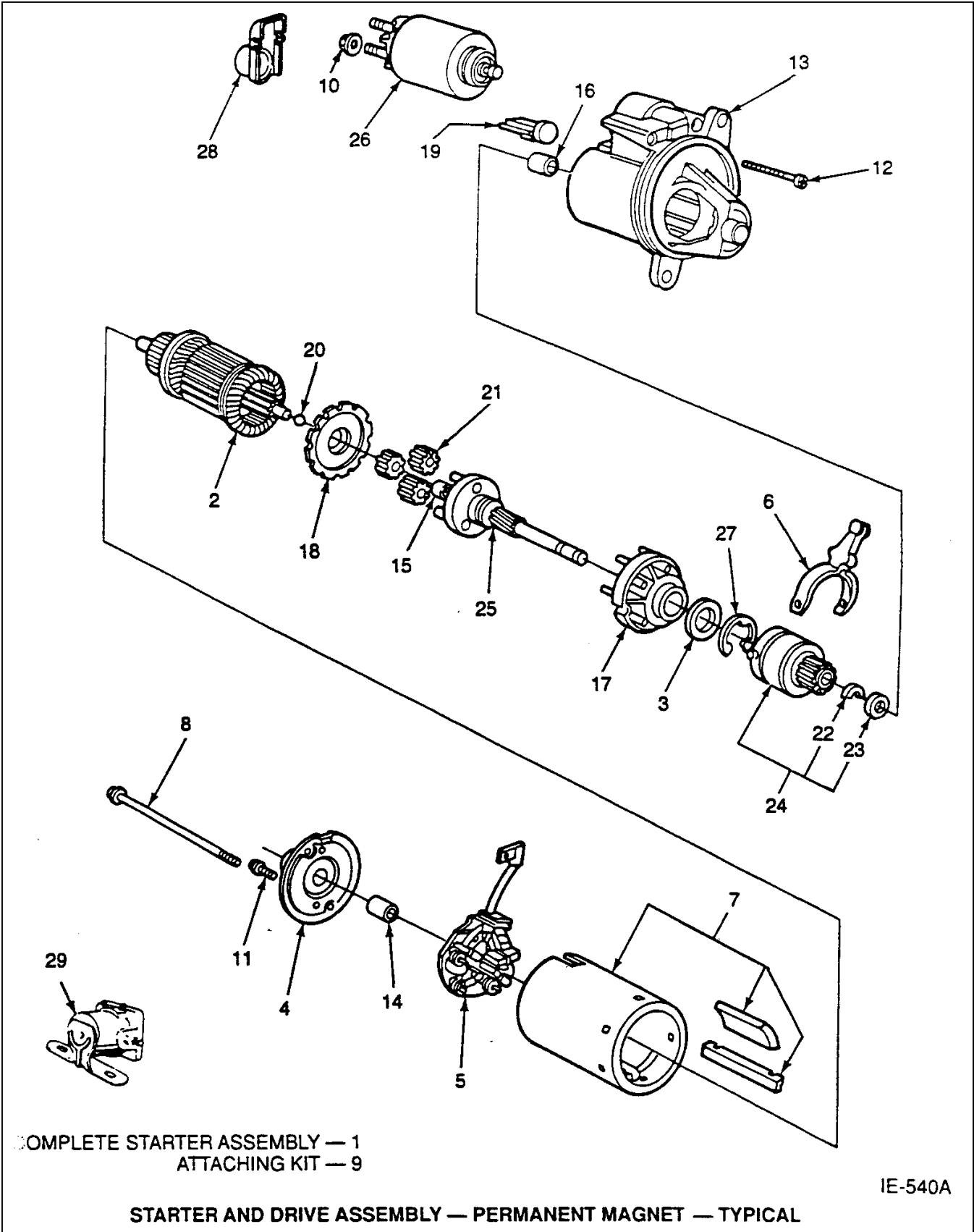
**CSG 649 AND CSG 649P
300 CID
GASOLINE ENGINE AND POWER UNIT**



REF. NO.	YEAR	PART NUMBER	DESCRIPTION	QTY
				300
STARTER AND RELATED PARTS POSITIVE ENGAGEMENT (CONTINUED)				
20	70/77	34805-S8	Washer - 1/4 Lock	2
21	70/77	CODZ-11102-C	Field Terminal Kit - Not Serviced	1
22	70/83	C1VF - 11103-A	Spring - Plunger Return	1
	83/92	C2DF-11103-A	Spring - Plunger Return	1
23	77/83	D7AZ-11A120-A	Grommet	1
	83/84	E2BZ-11A120-A	Grommet	1
	84/92	E3FZ-11A120-A	Grommet	1
25	70/70		Screw - Round head 10-32 x 1.625 - Not Serviced	1
26	70/77		Nut - Square - 10-32 - Not Serviced	1
27	70/81	D1AZ-11130-C	Housing Kit - Drive End	1
			CONSISTS OF:	
	70/81		Instruction Sheet	1
	70/81	C2DZ-11222-A	Ring - Drive Stop	1
	70/81	C2DZ-11223-A	Retainer	1
	70/81	C6VY-11036-A	Washer - Drive Thrust	1
	70/81	D1PF-11A130-AA	Lubricant	1
	70/81	D2AF-11130-EA	Housing	1
	70/81	DOAZ-11K013-A	Seal - Drive End Housing - Not Serviced Separately	1
	81/83	E1AZ-11130-B	Housing - Assy. - Includes Bearing	1
	83/92	E4AZ-11130-A	Housing - Assy. - Includes Bearing	1
28	70/77	C2OZ-11134-C	Point Kit - Contact	1
			CONSISTS OF:	
	70/77		Instruction Sheet	1
	70/77	57013-S	Screw	1
	70/77	C2DZ-11068-A	Insulator	1
	70/77	C2OF-11116-B/NR	Spring	1
	70/77	C2OZ-11176-B	Post	1
	70/77	C2OZ-11181-A	Insulator	1
	77/83	D7AZ-11134-A	Point Kit - Contact	1
			CONSISTS OF:	
	77/83	387446-S	Rivet	1
	77/83	387447-S	Rivet	1
	77/83	D8AF-11068-AA	Insulator	1
	77/83	D8AF-11071-AA	Terminal	1
	77/83	D8AF-11116-AA	Spring	1
	77/83	D8AF-11177-AA	Post	1
	77/83	D8AF-11181-AA	Insulator	1
	83/92	E2PZ-11134-A	Point Kit - Contact	1
			CONSISTS OF:	
	83/92	389393-S	Rivet	1
	83/92	389394-S	Rivet	1
	83/92	D8AF-11068-AA	Insulator	1
	83/92	D8AF-11071-AA	Terminal	1
	83/92	E2BF-11116-AA	Spring	1
	83/92	E2BF-11177-AA	Post	1
	83/92	E2BF-11181-AA	Insulator	1
29	83/92		Retainer Assy. - Cover (Screw) No. 10 Self Tapping - Not Serviced	1
	77/83	388015-S100/NR	Retainer Assy. - Cover (Screw) - 10-32 x 5/8	1
30	70/92	C2DZ-11222-A	Ring - Drive Stop	1
31	70/92	D6AZ-11223-A	Retainer - Drive Stop Ring	1
32	70/83	D6PZ-11350-B	Drive Assembly - Includes Attaching Parts	1
	83/92	E2PZ-11350-A	Drive Assembly - Includes Attaching Parts	1
RELAY STARTER				
33	70/92	E4JL-11450-AA	Relay - Starter	1
34	70/92	C2RZ-14431-C	Cable - Relay To Starter	1



CSG 649 AND CSG 649P
300 CID
GASOLINE ENGINE AND POWER UNIT



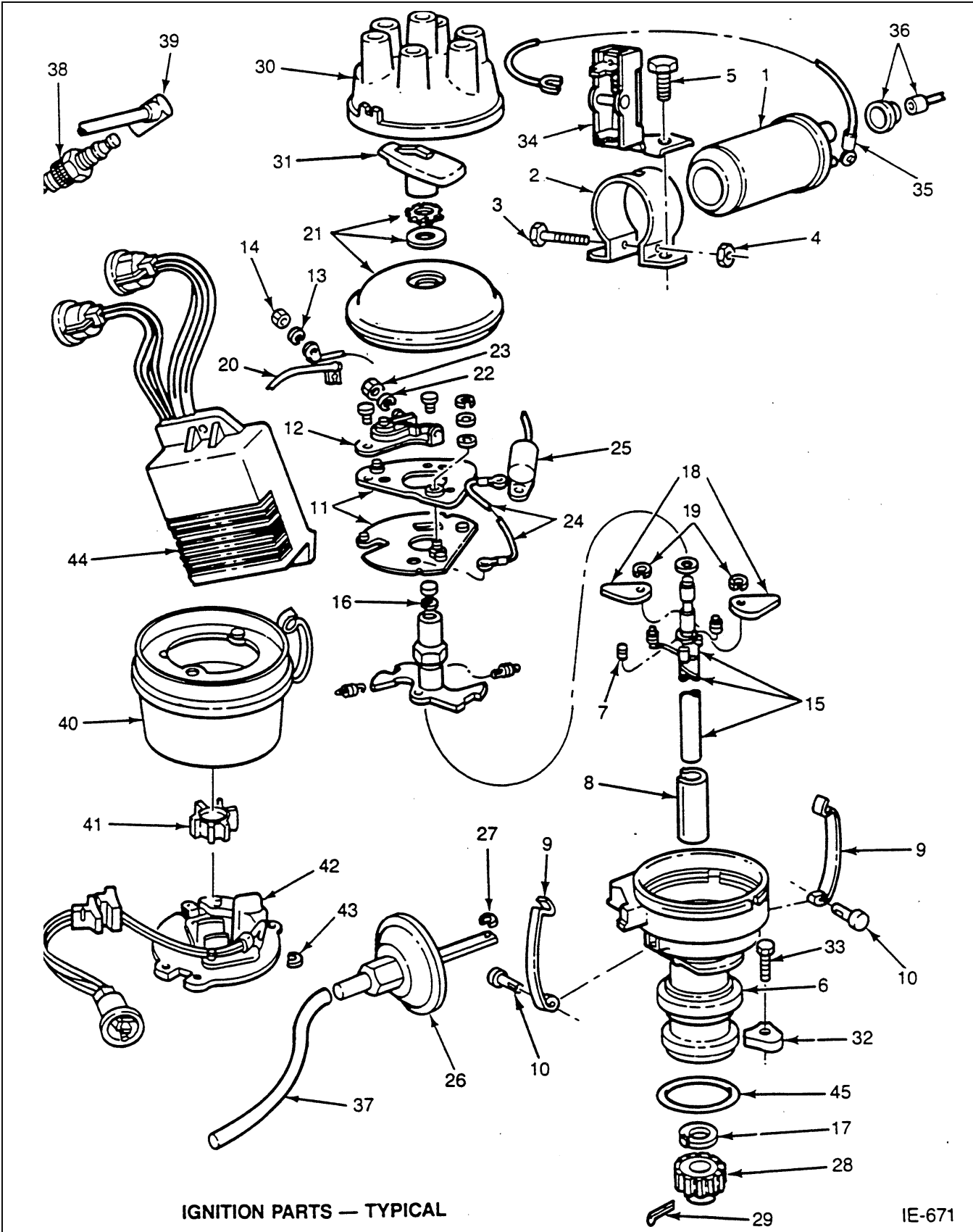
IE-540A

**CSG 649 AND CSG 649P
300 CID
GASOLINE ENGINE AND POWER UNIT**



REF. NO.	YEAR	PART NUMBER	DESCRIPTION	QTY
				300
			STARTER AND RELATED PARTS PERMANENT MAGNET	
			STARTER AND DRIVE ASSEMBLY	
1	92/	F7SU-11002-A1B F6VY-14A411-AA	Starter	1
2	92/	E9OZ-11005-A	Armature	1
3	92/	E9OZ-11036-A	Washer	1
4	92/	E9OZ-11049-A	Plate And Bearing - Brush End	1
5	92/	E9OZ-11061-C/NR	Holder - Brush - Includes Brushes	1
6	92/	E9OZ-11067-A	Lever	1
7	92/	E9OZ-11075-A	Frame And Magnet Assembly	1
8	92/	E9SZ-11091-A	Bolt - Thru	2
9	92/	E9OZ-11A091-A	Kit - Attaching	1
			CONSISTS OF:	
10		N805403-S100	Nut And Washer - M8	1
11		N805406-S36B	Screw - M5 x 10.40mm - Serviced in Kit Only	2
12		N805405-S36B	Screw - M6 x 35.3mm - Serviced in Kit Only	2
13	92/	F2SZ-11130-A	Housing - Drive End - Includes Bearing	1
14	92/	MC-209-A	Bearing	1
15	92/	E9OZ-11135-A	Bearing - Planet	3
16	92/	F2TZ-11135-A	Bearing - Drive End Housing	1
17	92/	E9OZ-11A165-A	Gear - Stationary	1
18	92/	E9OZ-11A167-A	Retainer - Gear	1
19	92/	E9OZ-11A171-A	Seal	1
20	92/	E9OZ-11A172-A	Ball - Armature Thrust	1
21	92/	E9OZ-11K190-A	Gear Assembly - Planet - Includes Bearing	3
22	92/	C2DZ-11222-A	Ring - Drive Stop	1
23	92/	D6AZ-11223-A	Retainer - Drive Stop Ring	1
24	92/	E9OZ-11350-A	Drive Assembly - Includes Ring And Retainer	1
25	92/	FOTZ-11355-A	Shaft Assembly - Output	1
26	92/	E9OZ-11390-B	Solenoid	1
27	92/	97476-S2	Ring - Retaining	1
28	92/	F6VZ-11N087-AA	Cover - Solenoid Terminal	1
			RELAY - STARTER	
29	92/	E4JL-11450-AA	Relay - Starter	1

**CSG 649 AND CSG 649P
300 CID
GASOLINE ENGINE AND POWER UNIT**



IGNITION PARTS — TYPICAL

IE-671

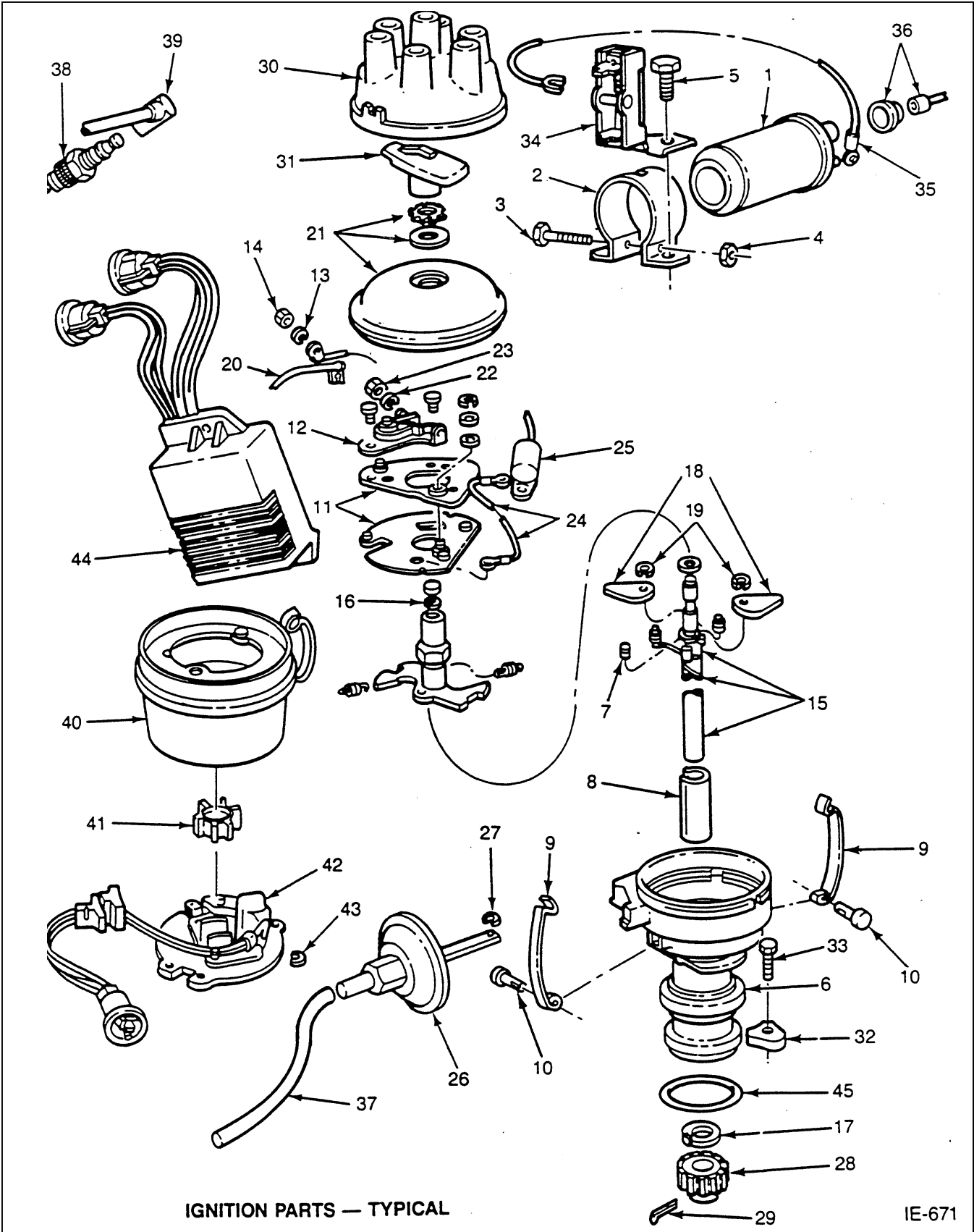
**CSG 649 AND CSG 649P
300 CID
GASOLINE ENGINE AND POWER UNIT**



REF. NO.	YEAR	PART NUMBER	DESCRIPTION	QTY
				300
IGNITION PARTS				
COIL ASSEMBLY				
1	70/85	B6A-12029-B	Coil	1
	86/	D5AZ-12029-A	Coil	1
2	70/	B8S-12043-B	Strap - Coil Mounting	1
3	70/		Bolt - 8-32 x 1.75 - Strap To Coil - Not Serviced	1
4	70/	34052-S8	Nut - No.8-32 - Strap to Coil	1
5	70/	387595-S2	Stud - Strap To Engine - 3/8-16-16 x 1.99	A/R
	70/	57644-S2	Screw And Washer - Strap To Engine - 3.8-16 x .75	1
DISTRIBUTOR				
6	70/86	E4JE-12127-BA	* Distributor Assembly - Less Cap And Rotor - Conventional	1
	86/	E2TE-12127-ABA	Distributor Assembly - Less Cap And Rotor - Breakerless	1
CONSISTS OF:				
7	70/83		Sleeve - Shaft Plate - Not Serviced	1
8	70/83	C5AZ-12120-A	Bushing - Distributor Housing	1
9	70/83	7RA-12144	Clamp - Terminal Housing Hold Down	2
10	70/83	B-12145	Rivet - Terminal Housing Hold Down Clamp	2
11	70/83	D2PZ-12151-B	Plate Assembly - Breaker - Less Points	1
12	70/83	C9AZ-12171-B	Point Set Assembly - Breaker Arm And Contact	1
	84/86	D4ZZ-12171-B	Point Set Assembly - Breaker Arm And Contact	1
13	70/83		Washer - No. 6 Lock - Not Serviced	1
14	70/83		Nut - No. 6-32 - Not Serviced	1
15	70/83	D2TZ-12175-A	Shaft Assembly - Not Serviced	1
	84/	D3TZ-12175-A	Shaft Assembly	1
16	70/	B7A-12177-A	Retainer - Cam	1
17	70/83	C8AZ-12179-A	Washer - Gear Thrust - Not Serviced	1
18	70/83	C5AZ-12188-A	Weight Assembly - Distributor	2
19	70/83	355571-S	Washer - "C" Type	2
20	70/83	C7VY-12216-A	Wire Assembly - Plate Terminal	1
21	70/83	C8JJ-12239-B	Dust Cover	1
22	70/83		Washer - No. 6 Lock - Not Serviced	1
23	70/83		Nut - No. 6-32 - Not Serviced	1
24	70/83	D2AZ-12264-A	Wire Assembly - Breaker Ground	1
25	70/83	C9AZ-12300-A	Condenser	1
	84/	D4ZZ-12300-A	Condenser	1
26	70/83		Diaphragm Assembly - Distributor - Not Serviced	1
27	70/83	351826-S	Washer - "C" Type	1
28	70/	C5TZ-12390-A	Gear - Distributor Driven	1
29	70/	61489-S	Pin - Driven Gear	1
CAP - DISTRIBUTOR				
30	70/83	7HA-12106	Cap	1
	84/	E5DZ-12106-A	Cap	1
ROTOR - DISTRIBUTOR				
31	70/83	D5PZ-12200-B	Rotor	1
	84/	E6TZ-12200-D	Rotor	1
CLAMP - DISTRIBUTOR TO CYLINDER BLOCK				
32	70/	C3AZ-12270-A	Clamp	1
33	70/	42955-S8	Bolt - 5/16 - 18 x .875	1
RESISTOR - IGNITION				
34	70/	D9JL-12250-A	Resistor - Ignition	1
* On Engines Built Prior to 1984 - Necessary To Add Cap, Rotor, Adapter And Spark Plug Wires				



CSG 649 AND CSG 649P
300 CID
GASOLINE ENGINE AND POWER UNIT



IGNITION PARTS — TYPICAL

IE-671

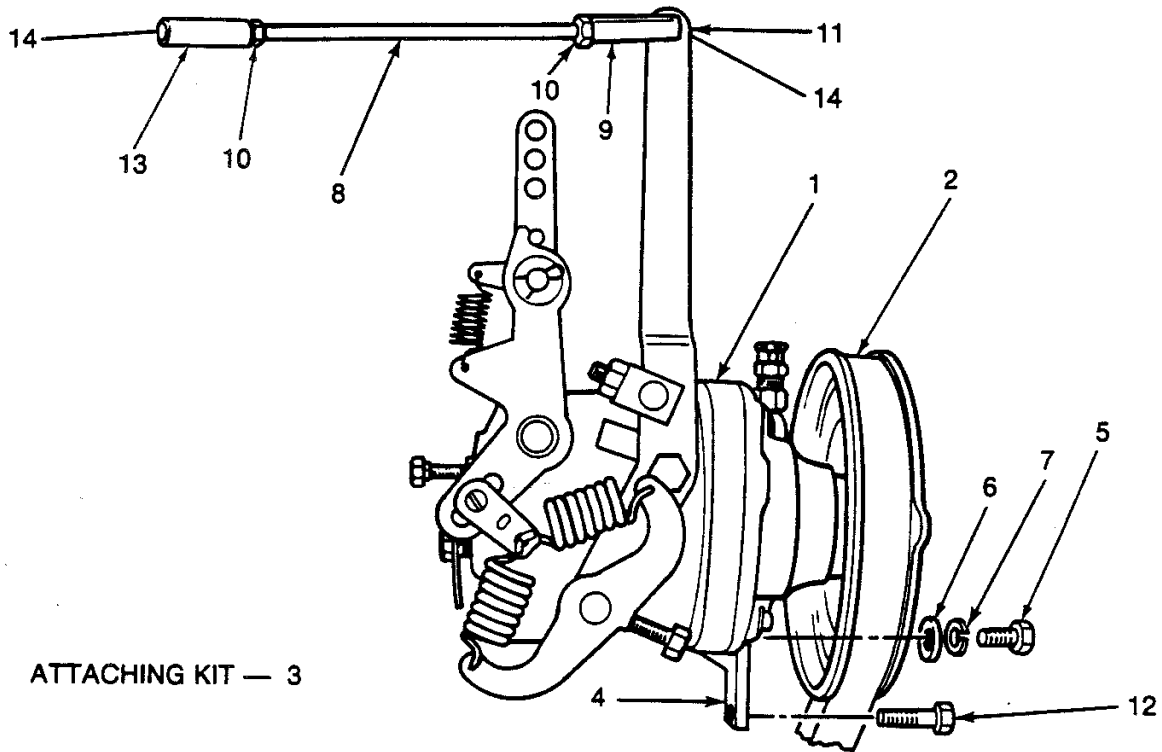
**CSG 649 AND CSG 649P
300 CID
GASOLINE ENGINE AND POWER UNIT**



REF. NO.	YEAR	PART NUMBER	DESCRIPTION	QTY
				300
			IGNITION PARTS (CONTINUED)	
			RESISTOR - IGNITION (CONTINUED)	
35	70/	B6P-14495-B	Wire - Coil To Resistor - Not Serviced	1
36	70/		Wire Assembly - Coil To Distributor - High Tension - Not Serviced Separately	1
			HOSE - DISTRIBUTOR VACUUM	
37	70/	C8DE-12226-G	Hose - Distributor Vacuum - Cut To Length	1
			SPARK PLUG - ASSEMBLY	
38	70/85	BSF-3	Spark Plug	6
	86/	BSF-42-C	Spark Plug	6
39	70/83	E5PZ-12259-LR	Wire Set - Spark Plug	1
	84/	E9TZ-12259-J	Wire Set - Spark Plug	1
			IGNITION COMPONENTS - MISCELLANEOUS	
40	84/	E3DZ-12A217-A	Adapter - Cap To Distributor	1
41	86/	D5DZ-12A099-A	Armature	1
42	86/	D5TZ-12A112-B	Stator Assembly	1
43	86/	351826-S	Washer - "C" Type	1
44	86/	D9VZ-12A199-A	Module - Ignition	1
	86/	D7JL-12A200-A	Wire Assembly - Ignition Module	1
45	70/	E3TZ-12143-AMR	"O" Ring - Not Serviced	1



CSG 649 AND CSG 649P
300 CID
GASOLINE ENGINE AND POWER UNIT



MECHANICAL GOVERNOR AND RELATED PARTS — TYPICAL

IE-53A

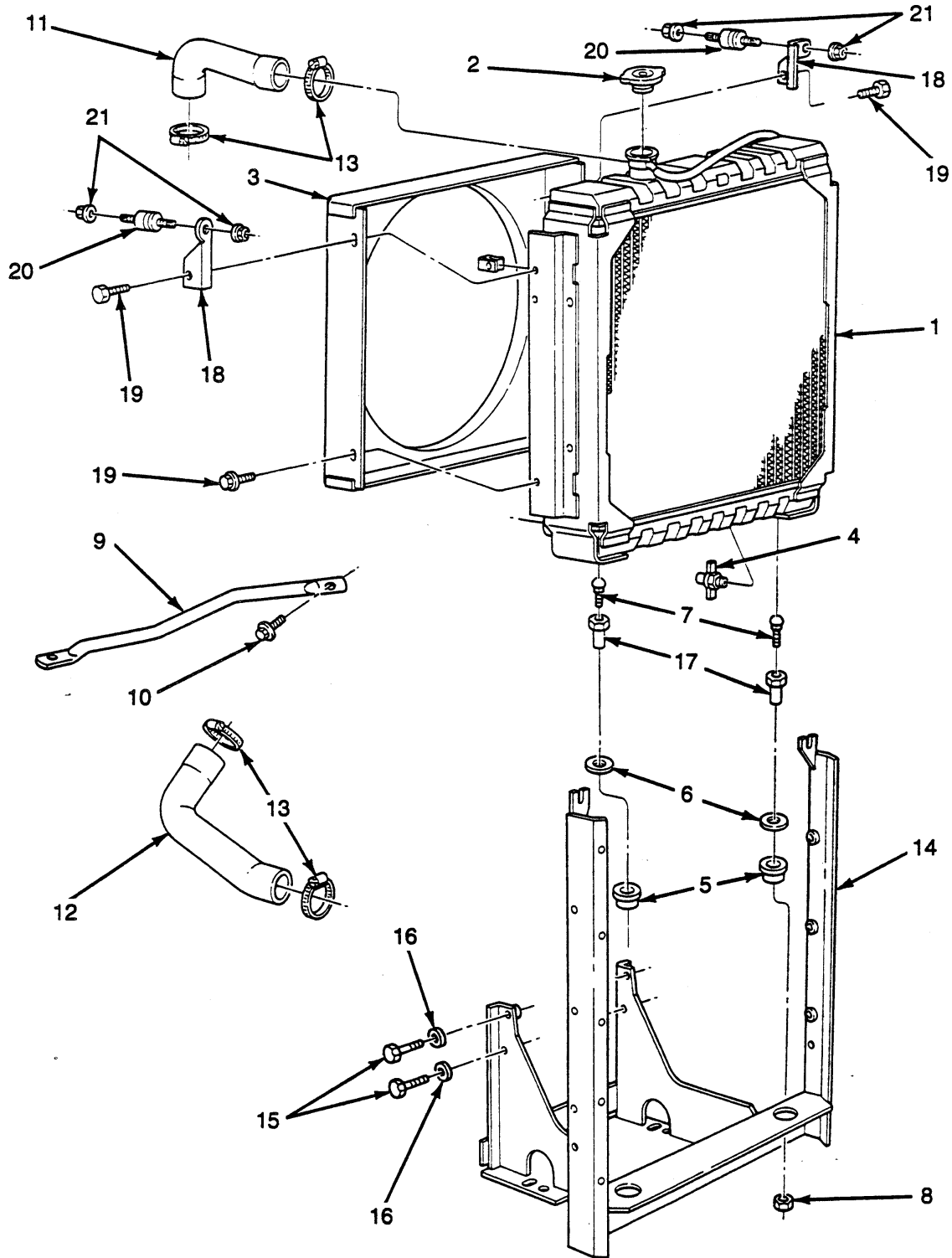
**CSG 649 AND CSG 649P
300 CID
GASOLINE ENGINE AND POWER UNIT**



REF. NO.	YEAR	PART NUMBER	DESCRIPTION	QTY
				300
GOVERNOR AND RELATED PARTS				
1	70/90	C5JZ-12450-H	Governor Assembly - Mechanical - Variable Speed	1
	91/	F1JL-12450-AB	Governor Assembly - Mechanical - Variable Speed	1
2	70/90	C7JZ-8620-P	Belt - 3/8 x 25.625	1
	91/	C9PZ-8620-AN	Belt - 15/32 x 50.00	1
3	70/90	E5JL-12448-AA	Kit - Governor Attaching	1
CONSISTS OF:				
4	70/90	E5JL-12454-A	Bracket - Governor Mount	1
5	70/90	20389-S8	* Bolt - 3/8-24 x 1.0	3
6	70/90	FPP-44726-S2	* Washer - 3/8 Flat	3
7	70/90	34792-S36	* Washer - 3/8 Lock	4
8	70/90	C5JZ-99819-C	Rod - Throttle	1
9	70/90	C5JZ-99810-A	Ball Joint - 1/4-28	1
10	70/90	33796-S36	Nut - 1/4-28	2
11	70/90	34905-S8	Washer - 1/4 Lock	1
12	70/90	58635-S36	Bolt - 3/8-16 x 1.25	1
13	70/90	D7JL-99810-A	Ball Joint - 1/4-28	1
14	70/90	33796-S36	Nut - 1/4-28	2
4	91/	F1JL-12454-AB	Bracket - Governor Mount	1
5	91/	20389-S8	* Bolt - 3/8-24 x 1.0	3
6	91/	FPP-44726-S2	* Washer - 3/8 Flat	3
7	91/	34792-S36	* Washer - 3/8 Lock	3
8	91/	C7JZ-99819-C	Rod - Throttle	1
9	91/	C7JZ-99810-A	Ball Joint - 1/4-28	1
10	91/	33796-S36	Nut - 1/4-28	2
12	91/	58635-S36	Bolt - 3/8-16 x 1.25	1
13	91/	D7JL-99810-A	Ball Joint - 1/4-28	1
14	91/	33796-S36	Nut - 1/4-28	2
GOVERNOR - VELOCITY - NOT ILLUSTRATED				
15	78/	D7FL-12480-G	Governor Kit - 2800 To 3400 RPM	1
	78/	D7JL-12480-H/NR	Governor Kit - 3400 To 3800 RPM - Not Serviced	1
	78/	D8JL-12480-D	Governor Kit - 2000 To 2800 RPM	1
16	78/	E2JL-9369-AA	Fuel Line	1
17	78/	C8DE-12226-G	Hose - Distributor Vacuum - Cut To Length	1
* Governor To Bracket				



CSG 649 AND CSG 649P
300 CID
GASOLINE ENGINE AND POWER UNIT



RADIATOR, RADIATOR SUPPORT AND RELATED PARTS, TYPICAL

IE-587

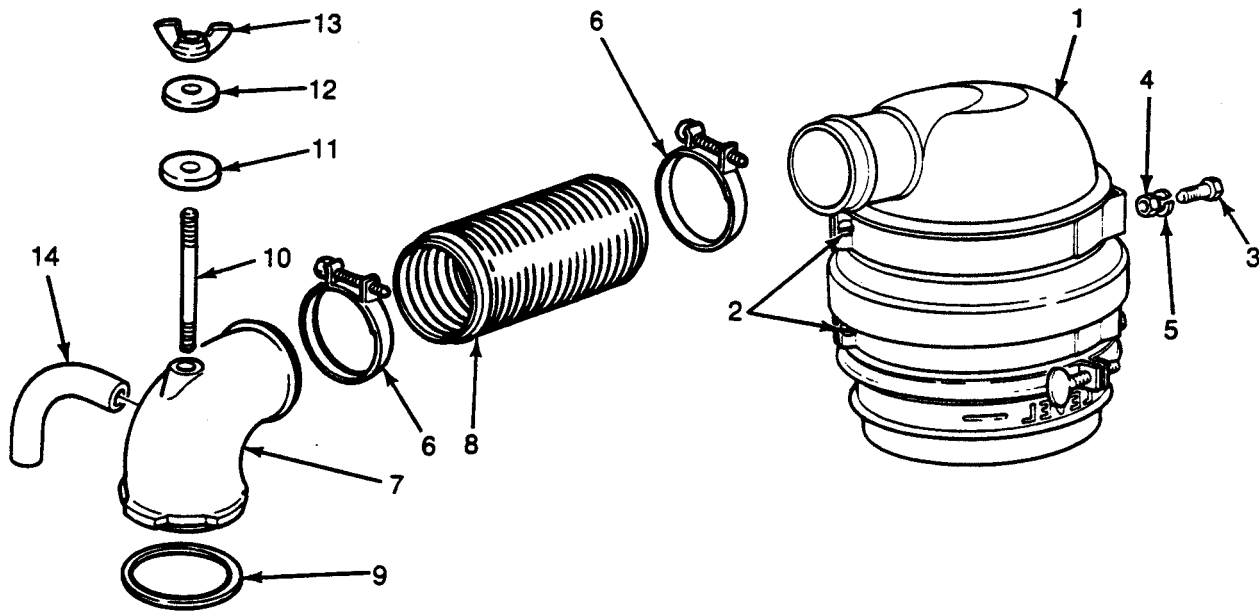
**CSG 649 AND CSG 649P
300 CID
GASOLINE ENGINE AND POWER UNIT**



REF. NO.	YEAR	PART NUMBER	DESCRIPTION	QTY
				300
RADIATOR, RADIATOR SUPPORT AND RELATED PARTS				
1	70/88	D8JL-8005-D/NR	Radiator Assembly	1
	88/90	E7JL-8005-AA	Radiator Assembly	1
	91/	F1JL-8005-AA	Radiator Assembly	1
2	70/88	C7TZ-8100-B	Cap - Radiator - 7 PSI	1
	88/	E2NN-8100-AA	Cap - Radiator - 7 PSI	1
3	70/90	D7JL-8146-A	Shroud Assembly - Suction Fan	1
	70/90	D8JL-8146-B	Shroud Assembly - Pusher Fan	1
	91/	F1JL-8146-AA	Shroud Assembly - Fan	1
4	70/	8A-8115-A	Drain Cock	1
5	70/90	F7JL-8125-AA	Insulator - Oblong	2
	70/90	C1TT-8A421-A	Insulator - Round	2
	91/	E5TZ-8124-C	Insulator	2
6	70/90	382873-S100	Washer - 7/16 Flat	2
	91/	F1JL-8K027-AA	Washer - .75 x 2.0 x .12	2
7	88/90	58836-S8	Bolt - 7/16-14 x 1.75 - Carriage	2
	91/	58833-S2	Bolt - 7/16-14 x 1.0 - Carriage	2
8	70/90	34978-S2	Nut - 7/16-14 Locking	2
9	70/90	E2JL-8046-AA	Brace - Radiator - Left	1
	70/90	E2JL-8046-BA	Brace - Radiator - Right	1
10	70/90	56701-S8/NR	Bolt - 1/4-20 x .50	2
11	70/88	E8JL-8260-AA	Hose - Radiator Upper	1
	88/90	E8JL-8260-AA	Hose - Radiator Upper	1
	91/	F1JL-8260-AA	Hose - Radiator Upper	1
12	70/90	C5JZ-8286-D	Hose - Radiator Lower	1
	91/	F1JL-8287-AA	Hose - Radiator Lower	1
13	70/	B7A-8287-B	Clamp - Radiator hose	4
14	70/90	C5JZ-5019-D	Support - Front Engine And Radiator	1
	91/	F1JL-5019-BA	Support - Front Engine And Radiator	1
15	70/	43039-S2	Bolt - 7/16-14 x .875	3
	70/	43044-S36	Bolt - 7/16-14 x 1.50	1
16	70/	380079-S36	Washer - 7/16 Flat	4
17	91/	F1JL-8A058-AA	Pin - Support - Radiator Lower	2
18	91/	F1JL-8406-AA	Support - Radiator Upper - Right	1
	91/	F1JL-8407-AA	Support - Radiator Upper - Left	1
19	91/	56538-S2	Bolt - Washer head - 3/8-16 x .75	4
20	91/	B13Z-8125-A	Stud - Insulator - Upper Radiator Support	2
21	91/	N805403-S100	Nut And Washer - M8	4



CSG 649 AND CSG 649P
300 CID
GASOLINE ENGINE AND POWER UNIT



AIR CLEANER AND RELATED PARTS — REMOTE OIL BATH — TYPICAL

IE-441A

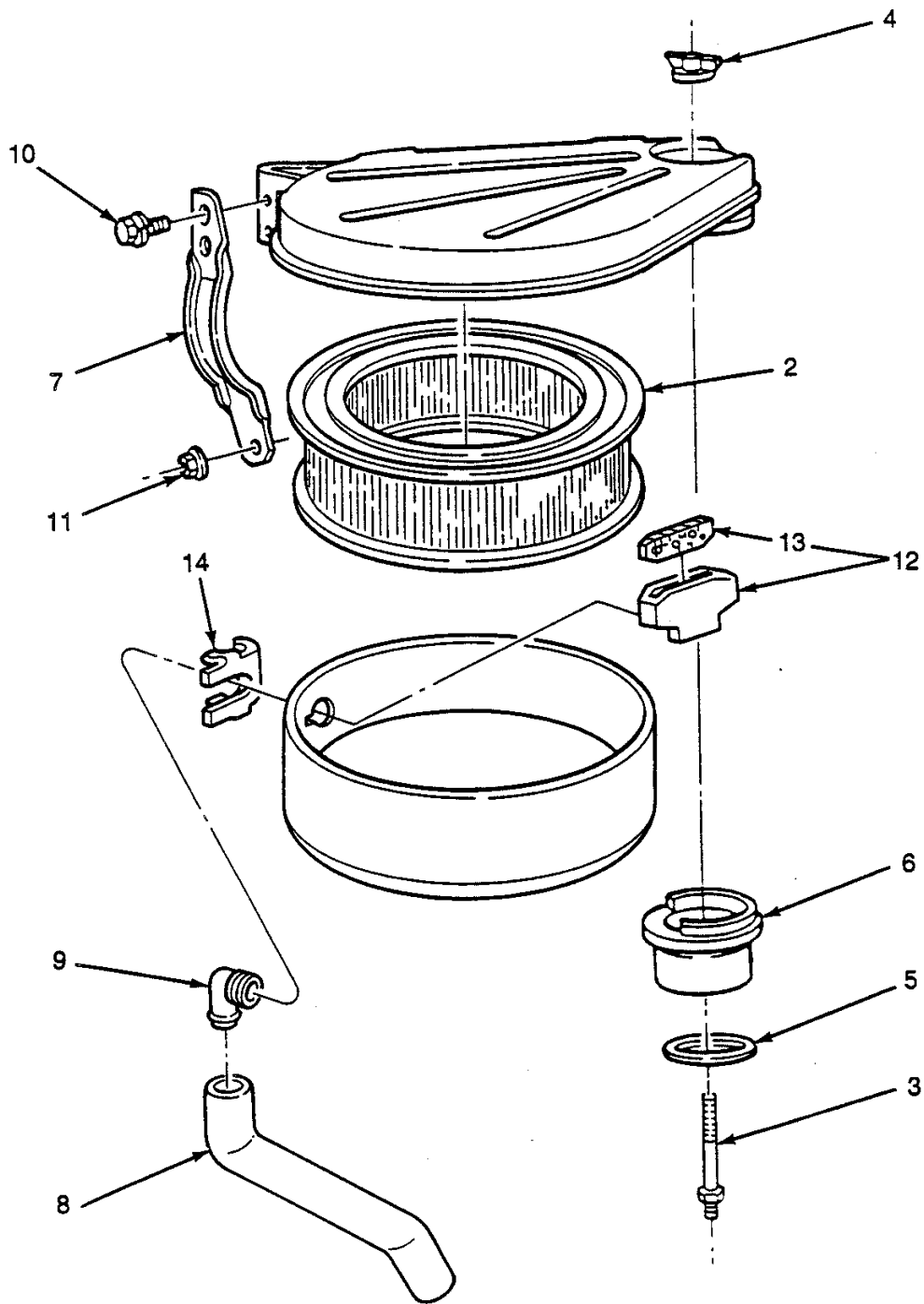
**CSG 649 AND CSG 649P
300 CID
GASOLINE ENGINE AND POWER UNIT**



REF. NO.	YEAR	PART NUMBER	DESCRIPTION	QTY
				300
AIR CLEANER AND RELATED PARTS REMOTE OIL BATH				
AIR CLEANER - USE WITH HOLLEY 1904 CARBURETOR				
1	70/76	C4JZ-9600-C	Air Cleaner	1
2	70/76	C4JZ-9628-C	Clamp - Mounting Bracket	2
3	70/76	304635-S2	Bolt - 5/16-24 x .625	4
4	70/76	33798-S8	Nut - 5/16-24	4
5	70/76	34791-S36	Washer - 5/16 Lock	4
6	70/76	383527-S	Clamp	2
7	70/76	D7JL-9520-A	Air Horn - Does Not Include Clamp	1
	70/76	E2JL-9628-AA/NR	Clamp - Air Horn To Carburetor	1
8	70/76	E6JL-9652-BA	Hose - Air Horn To Air Cleaner	1
9	70/76	D4JL-9654-A	Gasket - Air Horn To Carburetor	1
AIR CLEANER - USE WITH HOLLEY 1940 CARBURETOR				
1	76/	C4JZ-9600-C	Air Cleaner	1
2	76/	C4JZ-9628-C	Clamp - Mounting Bracket	2
3	76/	304635-S2	Bolt - 5/16-24 x .625	4
4	76/	33798-S8	Nut - 5/16-24	4
5	76/	34791-S36	Washer - 5/16 Lock	4
6	76/	383527-S	Clamp	2
7	76/	D9JL-9520-A	Air Horn	1
8	76/	E6JL-9652-BA	Hose - Air Horn To Air Cleaner	1
9	76/	C5JZ-9654-AB	Gasket - Air Horn To Carburetor	1
10	76/	382565-S8	Stud - 1/4-20-20 x 3.13	1
11	76/	B2P-9611-A	Seal	1
12	76/	44725-S8	Washer - 5/16 Flat	1
13	76/	358871-S36B	Nut - 1/4-20 Wing	1
14	76/	D1FZ-6A664-B	Hose - Crankcase Vent	1



CSG 649 AND CSG 649P
300 CID
GASOLINE ENGINE AND POWER UNIT



1 — COMPLETE AIR CLEANER ASSEMBLY

AIR CLEANER AND RELATED PARTS — DRY HAT TYPE — TYPICAL

IE-588

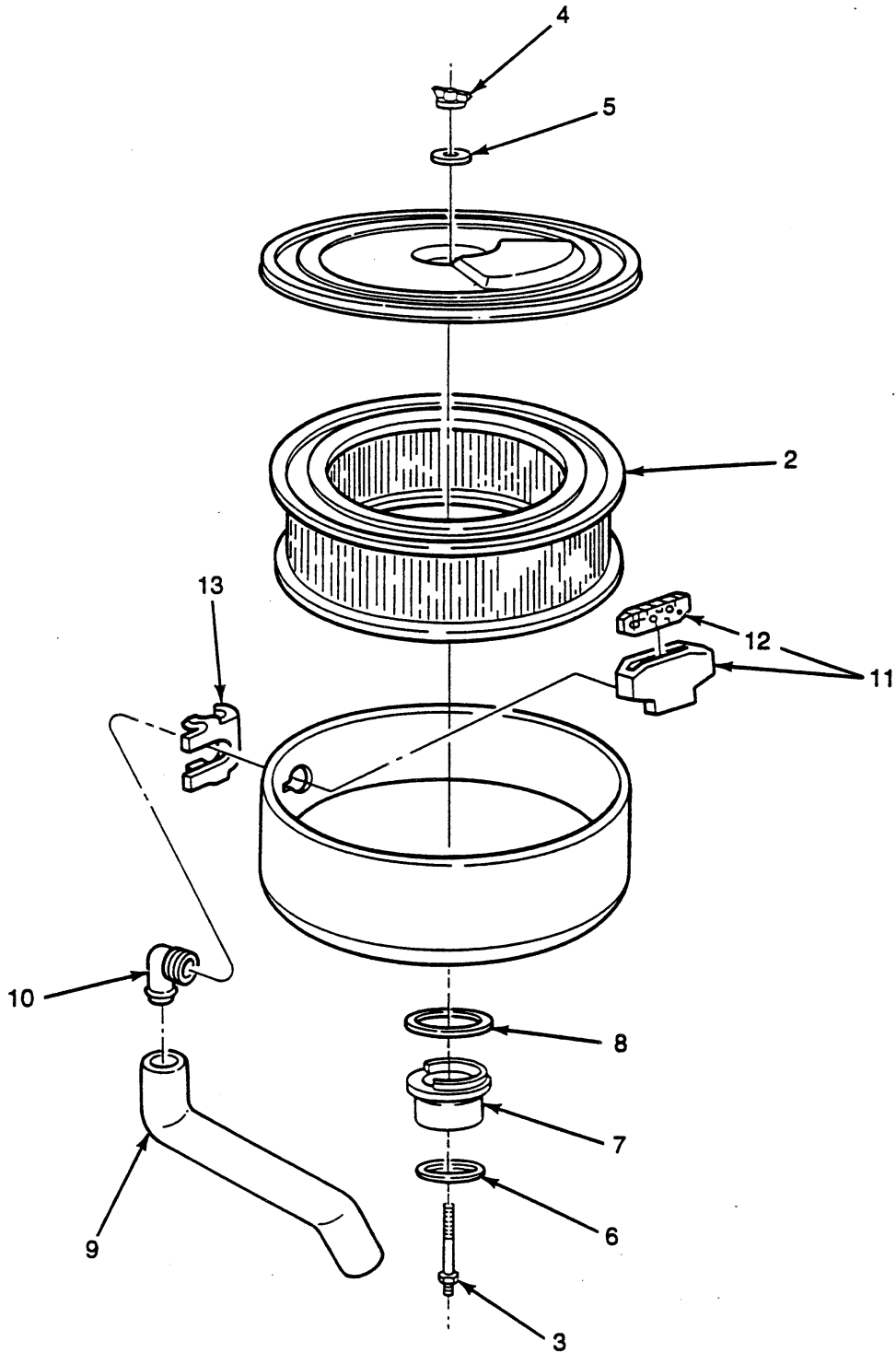
**CSG 649 AND CSG 649P
300 CID
GASOLINE ENGINE AND POWER UNIT**



REF. NO.	YEAR	PART NUMBER	DESCRIPTION	QTY
				300
AIR CLEANER - DRY HAT TYPE - TEAR DROP USE WITH HOLLEY 1940 CARBURETOR				
1	76/	E0TE-9600-TA	Air Cleaner	1
2	76/	C2OZ-9601-AR	Element - Air Cleaner	1
3	76/	373706-S8	Stud - 1/4-20-20 x 3.50	1
4	76/	386285-S	Nut - 1/4-20 Wing	1
5	76/	C3AZ-9654-D	Gasket - Adapter To Carburetor	1
6	76/	D3JL-9B663-A	Adapter	1
7	76/	D8TZ-9A627-A	Bracket	1
8	76/	D1FZ-6A664-B	Hose - Crankcase Vent	1
9	76/	384411-S	Elbow - Crankcase Vent Hose	1
10	76/	57633-S2	Screw And Washer - 5/16-18 x .75	1
11	76/	382802-S191	Nut - 3/8-16	1
12	76/	D1AZ-9D695-A	Filter Assembly	1
CONSISTS OF:				
13	76/	D1AZ-9D697-A	Filter	1
14	76/	D1AZ-9E628-A	Retainer	1



CSG 649 AND CSG 649P
300 CID
GASOLINE ENGINE AND POWER UNIT



1 — COMPLETE AIR CLEANER ASSEMBLY

AIR CLEANER AND RELATED PARTS — DRY HAT TYPE — TYPICAL

IE-589

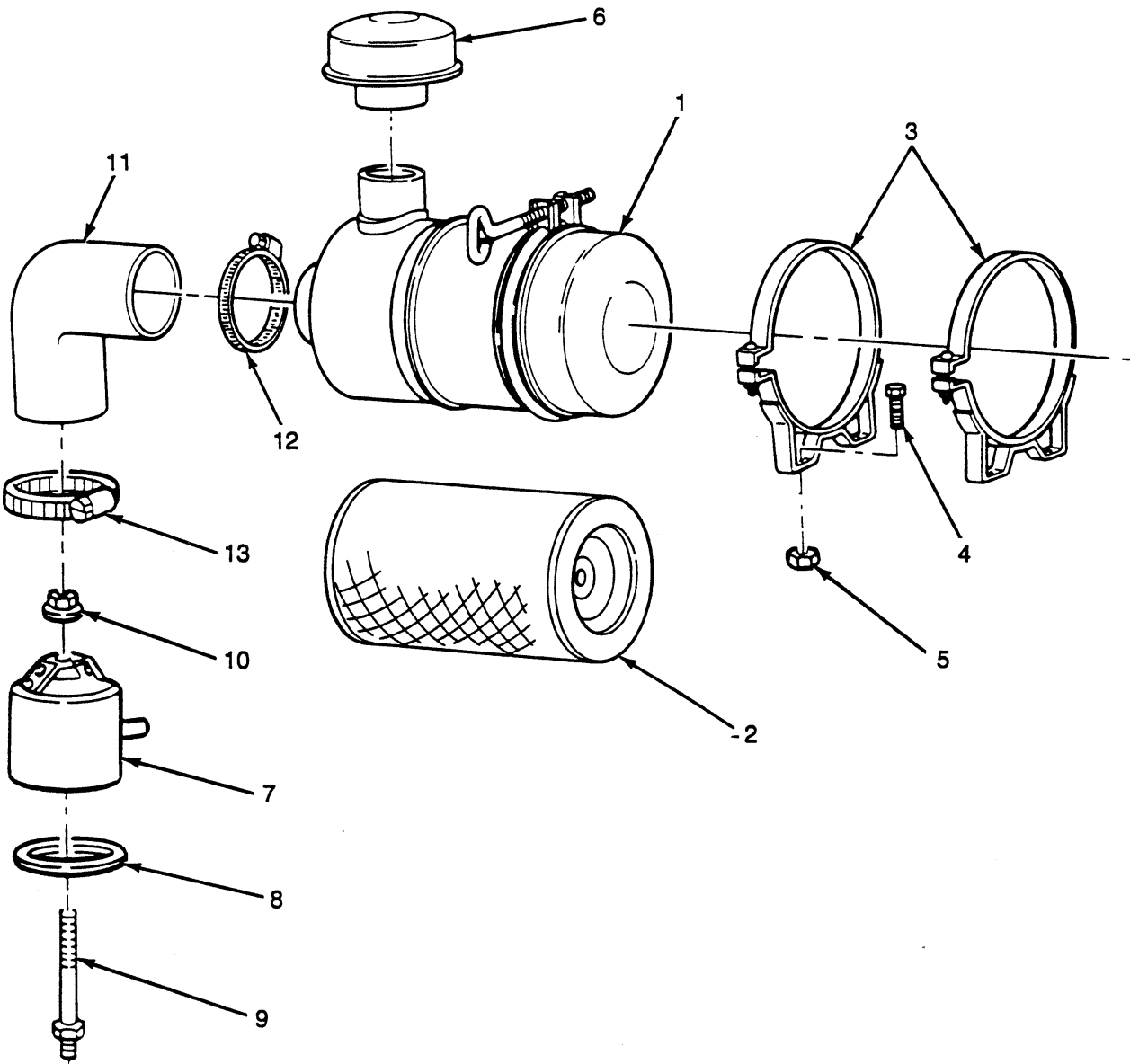
**CSG 649 AND CSG 649P
300 CID
GASOLINE ENGINE AND POWER UNIT**



REF. NO.	YEAR	PART NUMBER	DESCRIPTION	QTY
				300
AIR CLEANER - DRY HAT TYPE - ROUND USE WITH HOLLEY 1940 CARBURETOR				
1	79/	D6TZ-9600-L/NR	Air Cleaner	1
2	79/	E8TZ-9601-A	Element - Air Cleaner	1
3	79/	382462-S100	Stud - 1/4-20-20 x 2.375	1
4	79/	358871-S36B	Nut - 1/4-20 Wing	1
5	79/	E6TZ-9697-A	Grommet	1
6	79/	C3AZ-9654-D	Gasket - Adapter To Carburetor	1
7	79/	D3JL-9B663-A	Adapter	1
8	79/	C8DZ-9654-A	Gasket - Air Cleaner To Adapter	1
9	79/	D1FZ-6A664-B	Hose - Crankcase Vent	1
10	79/	384411-S	Elbow - Crankcase Vent Hose	1
11	79/	D1AZ-9D695-A	Filter Assembly	1
CONSISTS OF:				
12	79/	D1AZ-9D697-A	Filter	1
13	79/	D1AZ-9E628-A	Retainer	1



CSG 649 AND CSG 649P
300 CID
GASOLINE ENGINE AND POWER UNIT



AIR CLEANER AND RELATED PARTS — DRY REMOTE TYPE — TYPICAL

IE-560

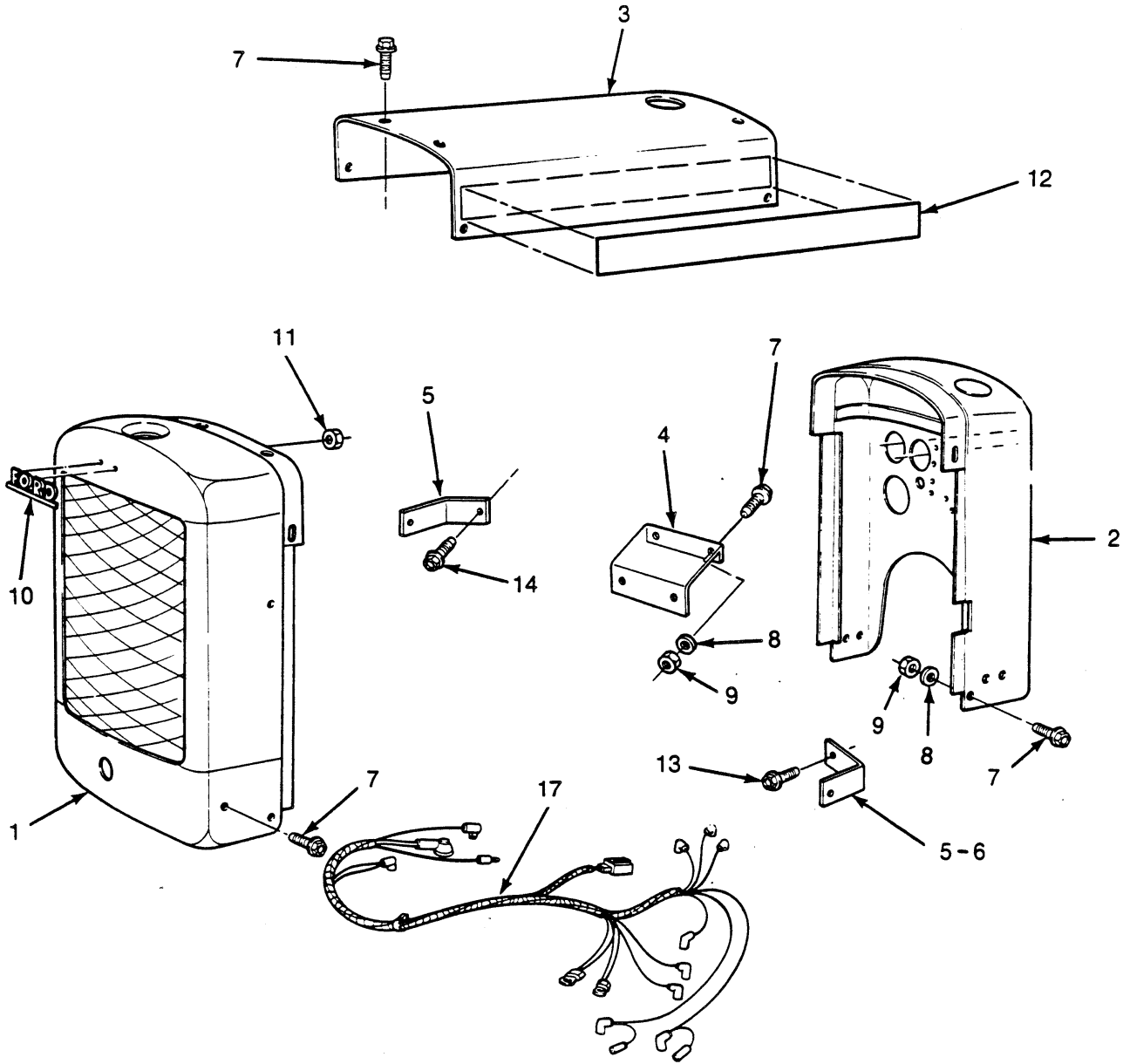
**CSG 649 AND CSG 649P
300 CID
GASOLINE ENGINE AND POWER UNIT**



REF. NO.	YEAR	PART NUMBER	DESCRIPTION	QTY
				300
			AIR CLEANER - DRY REMOTE TYPE USE WITH HOLLEY 1940 CARBURETOR	
1	91/	C6JZ-9600-B	Air Cleaner	1
2	91/	FA-131	Element - Air Ceaner	1
3	91/	C6JZ-9628-B	Clamp Assembly	2
4	91/	56520-S2	Bolt - 5/16-18 x .75	4
5	91/	379930-S36	Nut - 5/16-18 - Washer Head	4
6	91/	C8JJ-9604-A	Cap - Air Inlet	1
7	91/	F1JL-9520-AA	Air Horn	1
8	91/	C5JZ-9654-AB	Gasket - Air Horn To Carburetor	1
9	91/	382565-S8	Stud - 1/4-20-20 x 3.13	1
10	91/	383256-S36	Nut - 1/4 x 20	1
11	91/	F1JL-9B639-AA	Hose	1
12	91/	383527-S	Clamp	1
13	91/	B7AZ-8287-D	Clamp	1



CSG 649 AND CSG 649P
300 CID
GASOLINE ENGINE AND POWER UNIT



FRONT SHELL, HOOD TOP, REAR PANEL AND RELATED PARTS — TYPICAL

IE-417D

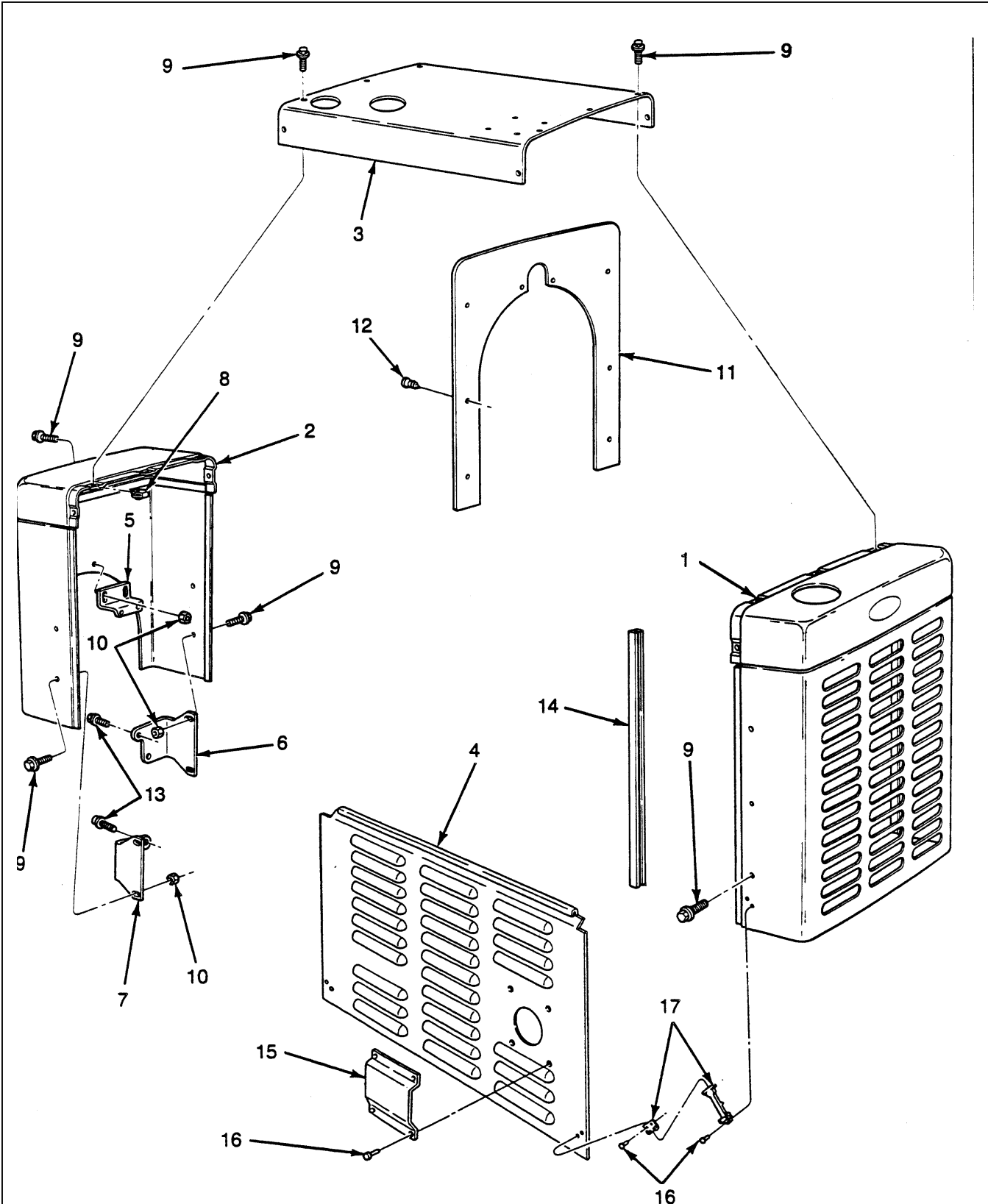
**CSG 649 AND CSG 649P
300 CID
GASOLINE ENGINE AND POWER UNIT**



REF. NO.	YEAR	PART NUMBER	DESCRIPTION	QTY
				300
FRONT SHELL, HOOD TOP, REAR PANEL AND RELATED PARTS				
1	70/90	E2JL-8200-BA/NR	Shell - Radiator - Not Serviced	1
2	70/90	E6JL-16924-DA/NR	Panel - Rear	1
3	70/90	EOJL-16612-HA	Hood Top	1
4	70/90	C5JZ-16621-B	Bracket - (For Use With Clutch Housing)	1
	70/90	C5JZ-16621-C	Bracket - (For Use With SAE Housing)	1
	70/80		Bracket - (For Use With Converter Housing) - Not Serviced	1
	70/90	C9JJ-16621-D/NR	Bracket - (For Use With Models less Housings) - Not Serviced	1
5	70/90	C5JZ-16620-F	Bracket - (For Use With SAE Housing)	2
	70/80	C5JZ-16620-L/NR	Bracket - RH (For Use With Converter Housing) - Not Serviced	1
	70/90	C9JJ-16620-E/NR	Bracket - RH (For Use With Models Less Housing) - Not Serviced	1
	70/90	E6JL-16620-AA	Bracket - RH (For Use With Clutch Housing)	1
6	70/90	C5JZ-16620-D	Bracket - LH (For Use With Clutch Housing)	1
	70/80	C5JZ-16620-K/NR	Bracket - LH (For Use With Converter Housing) - Not Serviced	1
	70/90	C9JJ-16620-D/NR	Bracket - LH (For use With Models Less Housing) - Not Serviced	1
7	70/90	56520-S2	Bolt - 5/16-24 x .88	A/R
	70/90	359219-S8	Bolt - 5/16-24 x .50	2
8	70/90	34791-S36	Washer - 5/16 Lock	A/R
9	70/90	33798-S8	Nut - 5/16-24	A/R
10	70/80	B4P-16606-A	Emblem - Ford	1
11	70/80	355891-S2/NR	Nut - Speed	4
12	70/90	D9JL-16B906-D	Stripe - Front Shell Identification	2
13	70/90	57632-S2	Bolt - 5/16-18 x .625	1
14	70/90	42999-S8	Bolt - 3/8-16 x 1.12 - Self Locking	1
15	70/90	E2JL-16618-AA	Side Panel - Right - Not Illustrated	1
16	70/90	E2JL-16619-AA	Side Panel - Left - Not Illustrated	1
WIRING HARNESS				
17	70/75	C5JZ-14305-C/NR	Harness - Main Wiring - Motorcraft Alternator - Not Serviced	1
	75/85	D3JL-14305-A	Harness - Main Wiring - Motorola Alternator	1
	86/90	E6JL-14305-HA	Harness - Main Wiring - Motorola Alternator	1



CSG 649 AND CSG 649P
300 CID
GASOLINE ENGINE AND POWER UNIT



FRONT SHELL, HOOD TOP, REAR PANEL, SIDE PANELS AND RELATED PARTS — TYPICAL IE-561

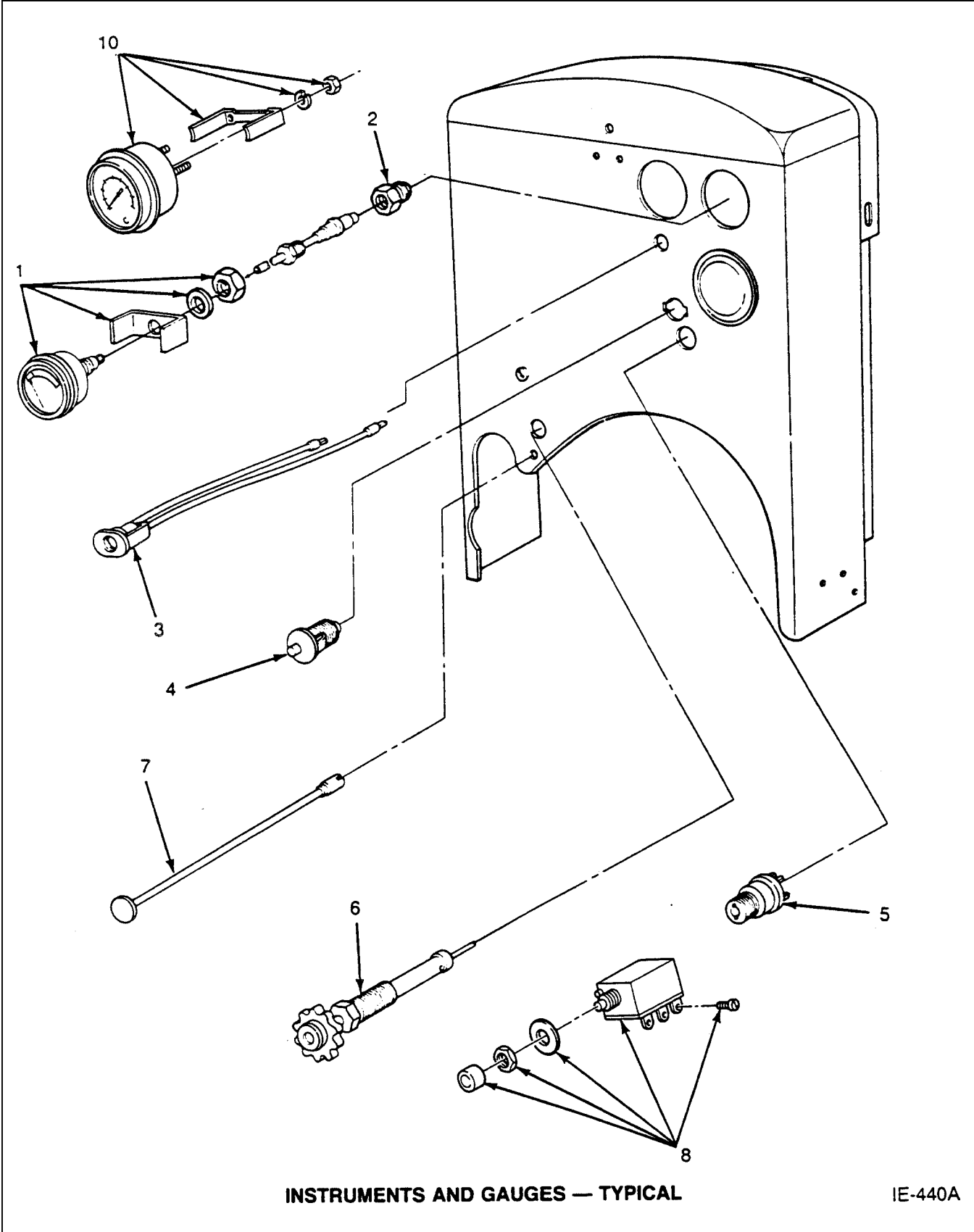
**CSG 649 AND CSG 649P
300 CID
GASOLINE ENGINE AND POWER UNIT**



REF. NO.	YEAR	PART NUMBER	DESCRIPTION	QTY
				300
FRONT SHELL, HOOD TOP, REAR PANEL, SIDE PANELS AND RELATED PARTS				
1	91/	E9JL-8200-AD	Shell - Radiator	1
2	91/	E9JL-16924-AD	Panel - Rear - Rear Mounted Instructions.....	1
	91/	E9JL-16924-BD	Panel - Rear - Side Mounted Instructions	1
3	91/	F3JL-16612-AA	Hood Top	1
4	91/	F1JL-16619-AA	Panel - Side	2
5	91/	F1JL-16621-AB	Bracket - Center - Use With Clutch Housing	1
	91/	F1JL-16621-BB	Bracket - Center - Use With SAE Housing	1
6	91/	F1JL-16620-BB	Bracket - Rear - Left - Use With SAE Housing	1
	91/	F1JL-16620-CB	Bracket - Rear - Left - Use With Clutch Housing	1
7	91/	F1JL-16620-AB	Bracket - Rear - Right - Use With SAE Housing	1
	91/	F1JL-16620-DB	Bracket - Rear - Right - Use With Clutch Housing	1
8	91/	45264-S101	Nut - 5/16-18 - U Type	10
9	91/	56520-S2	Bolt - 5/16-18 x .75	22
10	91/	33770-S2	Nut - 5/16-18	6
11	91/	F1JL-8A337-BA	Baffle - Radiator	1
12	91/	388577-S	Pin - Push - 1/4-.80	8
13	91/	56560-S2	Bolt - 7/16-14 x 1.00	A/R
14	91/	FCJL-16A618-AA	Damper - Side Panel	4
15	91/	F1JL-16A619-AB	Cover - Alternator	1
16	91/	380334-S	Rivet	20
17	91/	E9JL-6A082-AB	Latch - Side Panel	4



CSG 649 AND CSG 649P
300 CID
GASOLINE ENGINE AND POWER UNIT



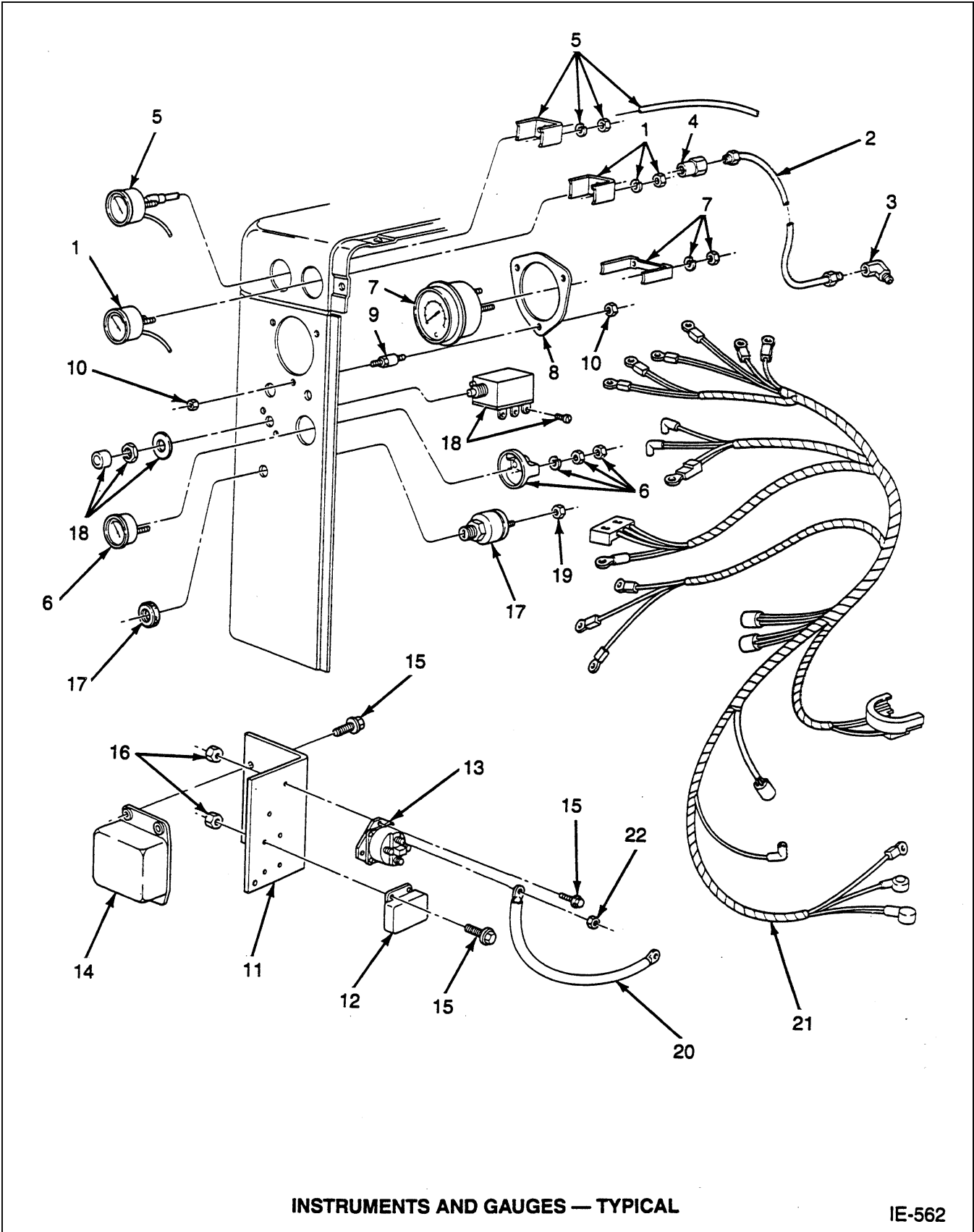
**CSG 649 AND CSG 649P
300 CID
GASOLINE ENGINE AND POWER UNIT**



REF. NO.	YEAR	PART NUMBER	DESCRIPTION	QTY
				300
INSTRUMENTS AND GAUGES				
1	74/90	E6JL-10883-AA	Gauge - Water Temperature - Includes Adapter	1
2	74/86	D8JL-10911-A	Adapter - Water Temperature Gauge - Use With D8JL-A Gauge	1
3	74/90	EOJL-14522-AA	Light - Alternator Warning	1
	74/90	EOJL-14522-BA	Light - Low Oil Pressure Warning	1
4	74/85	2C-11500-A	Button - Starter	1
5	74/85	C5JZ-11572-A	Switch - Ignition	1
	86/90	D9JL-11572-A	Switch - Ignition And Start	1
6	74/90	C6JZ-9775-J	Cable - Throttle Control	1
7	74/90	C1JZ-9700-A	Cable - Choke Control	1
INSTRUMENTS AND GAUGES - SAFETY				
1	86/90	E5JL-10883-AA	Gauge - Water Temperature	1
3	86/90	EOJL-14522-AA	Light - Alternator Warning	1
	86/90	EOJL-14522-BA	Light - Low Oil Pressure Warning	1
5	86/90	D9JL-11572-A	Switch - Ignition And Start	1
8	86/90	C3JZ-11451-A	Switch - Magnetic Safety	1
9	86/90	D6JL-9F316-A	Wire Assembly - Oil Light To Magnetic Safety Switch - Not Illustrated	1
TACHOMETER / HOURMETER - ELECTRICAL				
10	83/90	E3JL-17C360-AA	Meter - Tachometer And Hour	1
11	83/90	E8JL-17A299-AA	Wiring Assembly - Not Illustrated	1



CSG 649 AND CSG 649P
300 CID
GASOLINE ENGINE AND POWER UNIT



INSTRUMENTS AND GAUGES — TYPICAL

IE-562

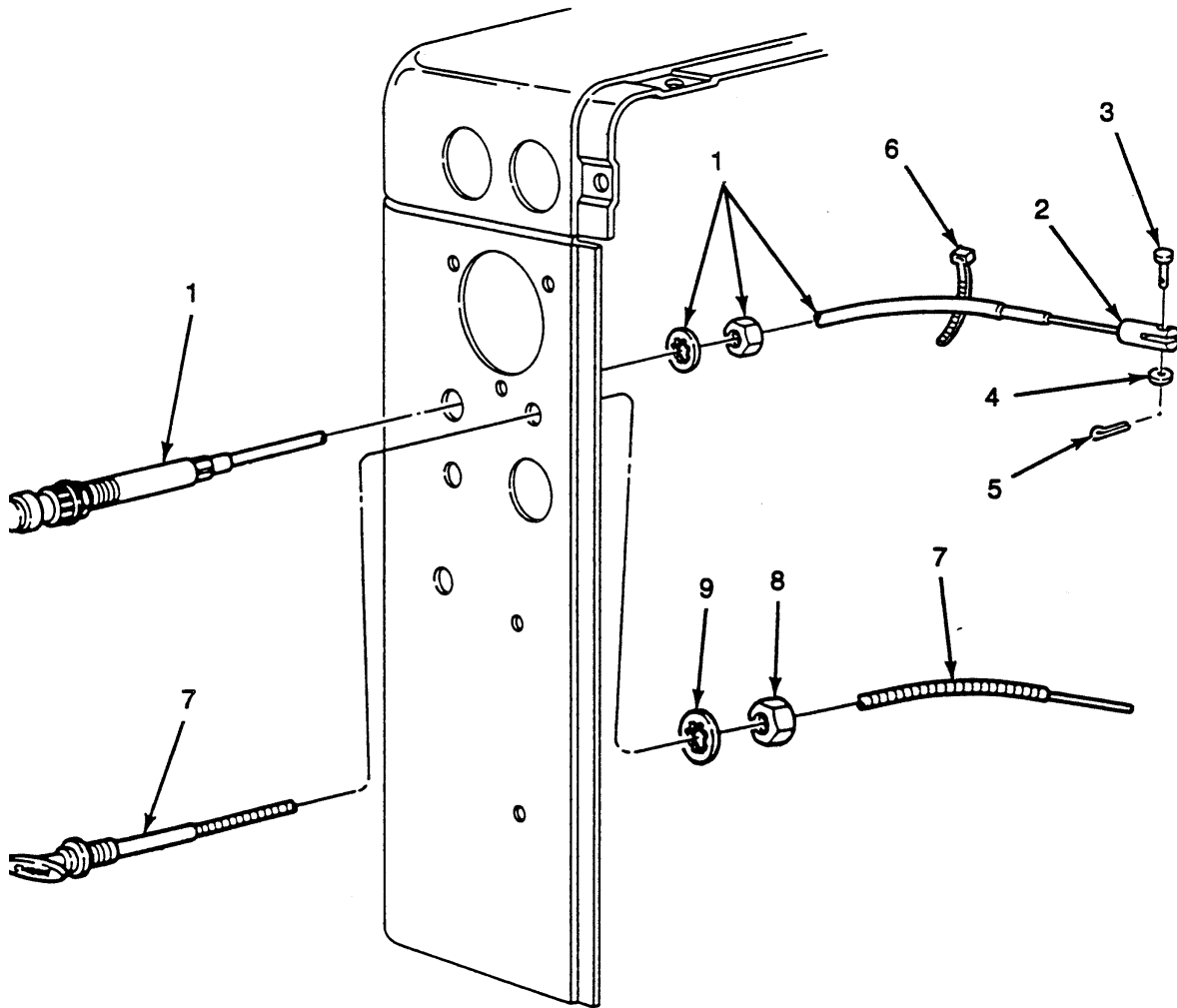
**CSG 649 AND CSG 649P
300 CID
GASOLINE ENGINE AND POWER UNIT**



REF. NO.	YEAR	PART NUMBER	DESCRIPTION	QTY
				300
INSTRUMENTS AND GAUGES				
1	91/	D3JL-9G272-B	Gauge - Oil Pressure	1
2	91/	D9JL-18676-A	Tube - Oil Pressure	1
3	91/	87379-S	Elbow 90 Degree 1/8 Tube To 1/8 Pipe	1
4	91/	353107-S101	Bushing - Reducer - 1/4 To 1/8	1
5	91/	E5JL-10883-AA	Gauge - Water Temperature	1
6	91/	D8JL-10797-A	Voltmeter	1
7	91/	E3JL-17C360-AA	Meter - Tachometer And Hour	1
8	91/	E8JL-17380-AC	Plate - Tachometer Adapter	1
9	91/	F0JL-10953-AA	Damper - Tachometer Vibration	3
10	91/	34653-S36	Nut And Washer - No. 8-32	6
11	91/	F1JL-12K060-AA	Bracket - Alternator Voltage Regulator	1
12	91/	D3JL-10316-A	Regulator - Voltage	1
13	91/	E4JL-11450-AA	Relay - Starter	1
14	91/	D9VZ-12A199-A	Module - Ignition	1
15	91/	56503-S2	Bolt - 1/4-20 x .75	8
16	91/	33769-S2	Nut - 1/4-20 Lock	5
17	91/	D9JL-11572-A	Switch - Ignition And Start	1
18	91/	C3JL-11451-A	Switch - Magnetic Safety	1
19	91/	34079-S36	Nut - No. 10-32	1
20	91/	C2RZ-14431-C	Cable - Relay To Starter	1
21	91/	F1JL-14305-AA	Harness - Wiring - 37A Alternator	1
22	91/	381561-S36	Nut And Washer - 5/16-18	2



CSG 649 AND CSG 649P
300 CID
GASOLINE ENGINE AND POWER UNIT



THROTTLE AND CHOKE CONTROLS — TYPICAL

IE-563

**CSG 649 AND CSG 649P
300 CID
GASOLINE ENGINE AND POWER UNIT**



REF. NO.	YEAR	PART NUMBER	DESCRIPTION	QTY
				300
THROTTLE AND CHOKE CONTROLS				
1	91/	C6JZ-9775-B	Cable - Throttle Control - Includes Nut And Washer	1
2	91/	C6JZ-9740-A	Clevis	1
3	91/	73879-S36	Pin - Clevis - 1/4-13/16	1
4	91/	44719-S8	Washer - 1/4 Flat	1
5	91/	72015-S8	Pin - Cotter - 1/16 x .75	1
6	91/	382987-S	Strap - Bundling	1
7	91/	C1JZ-9700-A	Cable - Choke Control	1
8	91/	33848-S8	Nut - 9/16-18 Lock	1
9	91/	34910-S8	Washer - 9/16 Lock	1