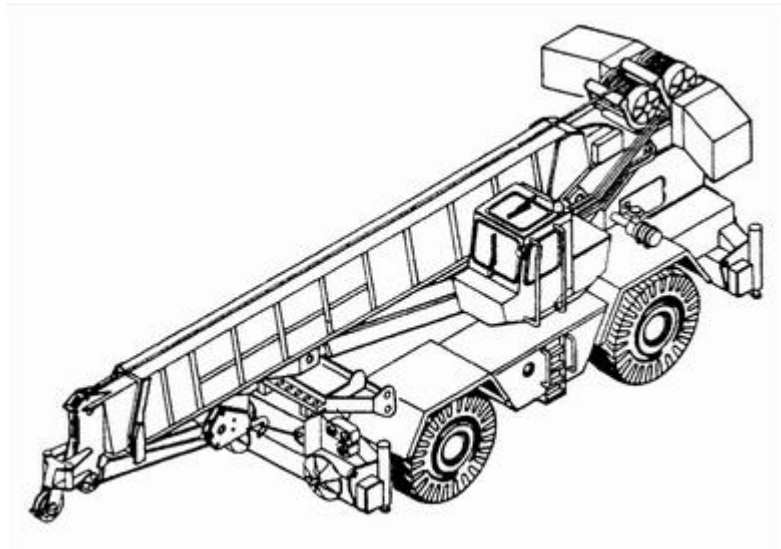


# GROVE®

## CRANE PARTS CATALOG



MODEL : RT60S  
S/N 36XXX



# Manitowoc Crane Group MACHINE COMPONENT INDEX

Date: Jun 03, 2008

Rev:

<u>Model Number</u> RT60		<u>Serial Number</u> 36XXX	
Item	Part	Description	Page
		<b>BOOM GROUP</b>	
11	6164000463	BOOM ASSY.COMP. BASE SECTION	3
	6164000465	SECTION ASSEMBLY - BOOM BASE	5
	2115900061	SECTION ASSEMBLY - BOOM MID	7
	6176000175	BOX, CYLINDER	9
	6372000824	CYLINDER ASSEMBLY - 4" TELESCOPE	11
	6372000593	CYLINDER ASSEMBLY - 5" TELESCOPE	13
	6869000119	CYLINDER SUPPORT INSTALLATION (NOT AVAILABLE AS ASSEMBLY)	15
	6718000116	HOSE SHEAVE AND REAR BOOM COVER INSTALLATION	17
42	6486000060	ELEVATION INDICATOR - RIGHT HAND BOOM	19
43	6486000053	ELEVATION INDICATOR - LEFT HAND BOOM	21
44	6164000237	JIB BOOM INSTALLATION - 24'	23
	6718000092	SHEAVE WHEEL ASSEMBLY	25
45	2104900027	JIB CARRIER INSTALLATION	27
127	6718000116	HOSE SHEAVE AND REAR BOOM COVER INSTALLATION	29
		<b>CAB GROUP</b>	
31	2160400002	CAB INSTALLATION	31
	2160400004	DOOR ASSEMBLY - LEFT HAND SIDE CAB	35
	2160400006	DOOR ASSEMBLY - RIGHT HAND CAB	37
	2160400009	LIGHT INSTALLATION - CAB (NOT AVAILABLE AS ASSEMBLY)	39
	2160400077	WIPER INSTALLATION - ELECTRIC WINDSHIELD (NOT AVAILABLE AS ASSEMBLY)	41
	6585000063	LOCK INSTALLATION - WINDOW (NOT AVAILABLE AS ASSEMBLY)	43
	6380000006	DEFROSTER INSTALLATION - WINDSHIELD (NOT AVAILABLE AS ASSEMBLY)	45
34	2160400071	CONSOLE INSTALLATION - FRONT	47

# Manitowoc Crane Group MACHINE COMPONENT INDEX

Date: Jun 03, 2008

Rev:

<u>Model Number</u> RT60		<u>Serial Number</u> 36XXX	
Item	Part	Description	Page
	2160400060	R.H. CONTROL CONSOLE	49
	7926000198	VALVE ASSEMBLY - BRAKE	51
	7926000198	VALVE ASSEMBLY - BRAKE	53
	7926000198	VALVE ASSEMBLY - BRAKE	55
	2160400076	SEAT INSTALLATION	57
	7798000046	SEAT ASSEMBLY	59
111	6348000101	EXTINGUISHER INSTALLATION - FIRE	61
147	6585000063	LOCK INSTALLATION - WINDOW (NOT AVAILABLE AS ASSEMBLY)	63
161	6380000006	DEFROSTER INSTALLATION - WINDSHIELD (NOT AVAILABLE AS ASSEMBLY)	65
		<b>CONTROL VALVE GROUP - UPPER</b>	
63	2160600195	HYDRAULIC LINES INSTALLATION	67
67	2160600196	HYDRAULIC LINES INSTALLATION - SWING AND SWING BRAKE	71
	7926000202	VALVE ASSEMBLY - RELIEF	73
68	2160600221	HYDRAULIC LINES INSTALL - LIFT	75
69	2160600019	HYDRAULIC LINES INSTALLATION - MID TELESCOPE	77
70	2160600020	HYDRAULIC LINES INSTALLATION - FLY TELESCOPE	79
71	2160600201	HYDRAULIC LINES INSTALLATION- MAIN HOIST GROVE MODEL 15	81
151	2160600213	LINKAGE INSTALLATION - CONTROL VALVE AND	85
	6926000288	VALVE BANK ASSEMBLY- THREE SECTION A-20 SERIES	89
	7926000223	VALVE ASSEMBLY - SECTION INLET (A-20 SERIES)	93
	7926000225	VALVE ASSEMBLY - SECTION OUTLET (A-20 SERIES)	95
	7926000222	VALVE ASSEMBLY - 4-WAY SECTION	97
	9926101841	VALVE ASSEMBLY - RELIEF	99
	7926000221	VALVE ASSEMBLY - 4-WAY SECTION	101
	9926101840	VALVE ASSEMBLY - RELIEF	103
	9926101841	VALVE ASSEMBLY - RELIEF	105

# Manitowoc Crane Group MACHINE COMPONENT INDEX

Date: Jun 03, 2008

Rev:

<u>Model Number</u> RT60		<u>Serial Number</u> 36XXX	
Item	Part	Description	Page
	9926101840	VALVE ASSEMBLY - RELIEF	107
	6926000245	VALVE BANK ASSEMBLY - FOUR SECTION A-35 SERIES	109
	7926000353	VALVE SECTION - INLET (A-35 SERIES)	115
	7926000229	VALVE ASSEMBLY - OUTLET	117
	7926000233	VALVE ASSEMBLY - 4-WAY SECTION (A-35 SERIES)	119
	7926000377	VALVE SECTION - RELIEF	121
	9926101848	VALVE ASSEMBLY - RELIEF	123
	7926000232	VALVE SECTION - 4 WAY (A-35 SERIES)	125
	9926101841	VALVE ASSEMBLY - RELIEF	127
	9926100698	CARTRIDGE ASSEMBLY	129
	9926101848	VALVE ASSEMBLY - RELIEF	131
	9926101841	VALVE ASSEMBLY - RELIEF	133
	6926000260	VALVE BANK ASSEMBLY - ONE SECTION A-35 SERIES	135
	7926000227	VALVE SECTION - INLET (A-35 SERIES)	139
	9926101843	VALVE ASSEMBLY - RELIEF 2250 PSI	141
	9926100698	CARTRIDGE ASSEMBLY	143
	7926000229	VALVE ASSEMBLY - OUTLET	145
	7926000228	VALVE ASSEMBLY - 4-WAY SECTION (A-35 SERIES)	147
	9926101843	VALVE ASSEMBLY - RELIEF 2250 PSI	149
	9926100698	CARTRIDGE ASSEMBLY	151
	9926100698	CARTRIDGE ASSEMBLY	153
		<b>HOIST GROUP</b>	
152	6974000210	HOIST INSTAL - GROVE MODEL 15A	155
	6974000202	HOIST ASSEMBLY - MODEL 15A-16	157
	7490000047	GEAR REDUCTION ASSEMBLY	161
	7632000032	MOTOR ASSEMBLY - HYDRAULIC	163
	6974000276	TUBING INSTALLATION	165

# Manitowoc Crane Group MACHINE COMPONENT INDEX

Date: Jun 03, 2008

Rev:

<u>Model Number</u> RT60		<u>Serial Number</u> 36XXX	
Item	Part	Description	Page
3	2160200041	<b>TURNTABLE GROUP</b> DRIVE INSTALLATION - TURNTABLE AND	167
	6176000216	BOX ASSEMBLY - SWING	171
	7632000041	MOTOR ASSEMBLY - ORBIT	175
	6188000049	BRAKE ASSEMBLY - SWING	177
	7188000024	BRAKE ASSEMBLY - DISC	179
	6372000839	CYLINDER ASSEMBLY - SWING BRAKE RELEASE	181
30	2157200028	LIFT CYLINDER AND HOLDING VALVE INSTALLATION	183
	2155200004	CYLINDER ASSEMBLY - 8 1/4" LIFT	185
37	7372000247	CYLINDER ASSEMBLY - LIFT	187
	6738000065	REEL ASSEMBLY - HOSE	189
38	6738000064	REEL ASSEMBLY - HOSE	191
	2160200006	TURNTABLE LOCK PIN INSTAL	193
144	7364000243	SWIVEL ASSEMBLY - 11 PORT	195
10		<b>ENGINE GROUP</b>	
	6414000145	ENGINE INSTALLATION - CAT 3208	199
	6414000176	ENGINE ASSEMBLY CATERPILLER 3208	207
	7356000015	TORQUE CONVERTER ASSEMBLY	211
	7356000015	TORQUE CONVERTER ASSEMBLY CONVERTER ASSEMBLY	213
	7356000015	TORQUE CONVERTER ASSEMBLY HOUSING GROUP AND PARTS	215
	7356000015	TORQUE CONVERTER ASSEMBLY PUMP GROUP - STEER PUMP	219
	7356000015	TORQUE CONVERTER ASSEMBLY PUMP GROUP - MAIN HYDRAULIC	221
	7356000015	TORQUE CONVERTER ASSEMBLY REMOTE MOUNT - OIL FILTER	223
	7356000015	TORQUE CONVERTER ASSEMBLY FILTER ASSEMBLY	225
	7437000055	FILTER ASSEMBLY - OIL	227
7722000088	PUMP ASSEMBLY - TRIPLE	229	
7722000073	PUMP ASSEMBLY - STEERING	233	

# Manitowoc Crane Group MACHINE COMPONENT INDEX

Date: Jun 03, 2008

Rev:

<u>Model Number</u> RT60		<u>Serial Number</u> 36XXX	
Item	Part	Description	Page
	7372000303	CYLINDER ASSEMBLY - THROTTLE	235
	2160800238	RADIATOR AND OIL COOLER INSTALLATION	237
	2160800230	ENGINE HOOD AND GRILL ASSEMBLY	239
	6294001397	WIRING DIAGRAM	SCHEMATIC
	2160800197	CLEANER ASSEMBLY - AIR	241
	7437000044	FILTER ASSEMBLY - PRIMARY FUEL	243
	7356000015	TORQUE CONVERTER ASSEMBLY	245
	7356000015	TORQUE CONVERTER ASSEMBLY CONVERTER ASSEMBLY	247
	7356000015	TORQUE CONVERTER ASSEMBLY HOUSING GROUP AND PARTS	249
	7356000015	TORQUE CONVERTER ASSEMBLY PUMP GROUP - STEER PUMP	253
	7356000015	TORQUE CONVERTER ASSEMBLY PUMP GROUP - MAIN HYDRAULIC	255
	7356000015	TORQUE CONVERTER ASSEMBLY REMOTE MOUNT - OIL FILTER	257
	7356000015	TORQUE CONVERTER ASSEMBLY FILTER ASSEMBLY	259
	7437000055	FILTER ASSEMBLY - OIL	261
	7722000088	PUMP ASSEMBLY - TRIPLE	263
	7722000073	PUMP ASSEMBLY - STEERING	267
	7372000303	CYLINDER ASSEMBLY - THROTTLE	269
24	2161600017	COVER AND DISCONNECT HANDLE INSTALLATION - PUMP	271
114	6814000102	GUARD INSTALLATION - MUFFLER (NOT AVAILABLE AS ASSEMBLY)	273
9	6904000052	<b>DRIVE TRAIN GROUP</b> TRANSMISSION INSTALLATION	277
	7904000071	TRANSMISSION ASSEMBLY	279
	7904000071	TRANSMISSION ASSEMBLY FRONT COVER AND INPUT SHAFT ASSEMBLY	281
	7904000071	TRANSMISSION ASSEMBLY MAIN CASE GROUP	283

# Manitowoc Crane Group MACHINE COMPONENT INDEX

Date: Jun 03, 2008

Rev:

<u>Model Number</u> RT60		<u>Serial Number</u> 36XXX	
Item	Part	Description	Page
	7904000071	TRANSMISSION ASSEMBLY FIRST STAGE CLUTCH ASSEMBLY	285
	7904000071	TRANSMISSION ASSEMBLY SECOND STAGE CLUTCH ASSEMBLY	287
	7904000071	TRANSMISSION ASSEMBLY THIRD CLUTCH GROUP	289
	7904000071	TRANSMISSION ASSEMBLY OIL STRAINER GROUP	291
	7904000071	TRANSMISSION ASSEMBLY OIL STRAINER GROUP	293
	7904000071	TRANSMISSION ASSEMBLY OIL RETAINER GROUP	297
	7904000071	TRANSMISSION ASSEMBLY DISCONNECT OUTPUT ASSEMBLY	299
	7904000071	TRANSMISSION ASSEMBLY OUTPUT GROUP	301
	7904000071	TRANSMISSION ASSEMBLY YOKE GROUP	303
13	7364000546	DRIVE LINE ASSEMBLY	305
14	7364000402	DRIVE LINE ASSEMBLY - FRONT AXLE	307
15	7364000545	DRIVE LINE ASSEMBLY	309
21	2160600240	LINKAGE INSTALL - TRANS SHIFT	311
22	2160500008	AXLE AND RANGE SHIFTER INSTALLATION	313
39	2160600235	HYDRAULIC LINES INSTALLATION - TRANSMISSION AND TORQUE CONVERTER	315
		<b>AXLE GROUP</b>	
4	6049000168	FRONT AXLE INSTALLATION	317
	7049000199	AXLE ASSEMBLY - DRIVE STEER	319
	7049000199	AXLE ASSEMBLY - DRIVE STEER HOUSING ASSEMBLY	321
	7049000199	AXLE ASSEMBLY - DRIVE STEER DIFFERENTIAL AND CARRIER ASSEMBLY	323
	7049000199	AXLE ASSEMBLY - DRIVE STEER HUB AND SHAFT GROUP	327
	7049000199	AXLE ASSEMBLY - DRIVE STEER BRAKE ASSEMBLY	331
	7049000199	AXLE ASSEMBLY - DRIVE STEER WEDGE ASSEMBLY	333



# Manitowoc Crane Group MACHINE COMPONENT INDEX

Date: Jun 03, 2008

Rev:

<u>Model Number</u> RT60		<u>Serial Number</u> 36XXX	
Item	Part	Description	Page
	7049000199	AXLE ASSEMBLY - DRIVE STEER BRAKE ASSEMBLY	335
	6372000485	CYLINDER ASSEMBLY - 3" STEER (COMPLETE ASSEMBLY)	337
5	6049000169	AXLE INSTALLATION - FRONT AND REAR	339
	6372001490	CYLINDER ASSEMBLY-LOCKOUT	343
	7049000166	AXLE ASSEMBLY	345
	7049000166	AXLE ASSEMBLY HOUSING ASSEMBLY	347
	7049000166	AXLE ASSEMBLY DIFFERENTIAL AND CARRIER ASSEMBLY	349
	7049000166	AXLE ASSEMBLY HUB AND SHAFT GROUP	351
	7049000166	AXLE ASSEMBLY BRAKE ASSEMBLY	355
	7049000166	AXLE ASSEMBLY WEDGE ASSEMBLY	357
	7049000166	AXLE ASSEMBLY BRAKE CHAMBER ASSEMBLY	359
	6372000485	CYLINDER ASSEMBLY - 3" STEER (COMPLETE ASSEMBLY)	361
	7926000702	VALVE ASSEMBLY - RELIEF (SEE SEPARATE PARTS LIST)	363
20	6970000292	TIRE AND WHEEL ASSEMBLY	365
28	2160700010	VALVE INSTALLATION - REAR AXLE LOCKOUT	367
	7926000756	VALVE ASSEMBLY - SELECTOR	369
29	2160800012	RELIEF VALVE INSTALLATION - FRONT STEER	371
	7926000702	VALVE ASSEMBLY - RELIEF (SEE SEPARATE PARTS LIST)	373
65	2160600154	AXLE LOCKOUT & FRONT STEER HYD	375
66	2160600021	HYDRAULIC LINES INSTALLATION- REAR STEER	379
		<b>OUTRIGGER GROUP</b>	
6	2160100008	OUTRIGGER INSTALLATION	381
	6372000500	CYLINDER ASSEMBLY - EXTENSION	385

# Manitowoc Crane Group MACHINE COMPONENT INDEX

Date: Jun 03, 2008

Rev:

<u>Model Number</u> RT60		<u>Serial Number</u> 36XXX	
Item	Part	Description	Page
	<b>6372001650</b>	CYLINDER ASSEMBLY	387
19	<b>2160100005</b>	VALVE INSTALLATION - FRONT AND REAR OUTRIGGER	389
	<b>7926000219</b>	VALVE ASSEMBLY - 4 STACK OUTRIGGER SOLENOID	391
64	<b>2160600010</b>	HYDRAULIC LINES INSTALLATION - OUTRIGGER	395
		<b>FRAME GROUP</b>	
16	<b>2160800014</b>	HYDRAULIC RESERVOIR INSTAL	397
17	<b>2160800118</b>	FUEL TANK & TOOL BOX INSTAL	399
	<b>2160800103</b>	TANK AND TOOL BOX ASSEMBLY - FUEL	401
18	<b>2160800219</b>	AIR TANKS AND VALVES INSTALLATION	403
	<b>7926000323</b>	VALVE ASSEMBLY - RELAY	407
	<b>7926000216</b>	VALVE ASSEMBLY - CHECK	409
	<b>7926000205</b>	VALVE ASSEMBLY - QUICK RELEASE	411
26	<b>2160800161</b>	HYD OIL FILTER INSTL	413
	<b>7437000017</b>	FILTER ASSEMBLY - OIL	415
40	<b>2160600177</b>	THROTTLE LINES - AIR BRAKE AND	417
	<b>7926000207</b>	VALVE ASSEMBLY - CHECK	421
50	<b>2160100071</b>	LIGHTS INSTALLATION - EXTERIOR	423
	<b>2160100016</b>	CLEARANCE LIGHTS & REFLECTOR INSTALLATION (NOT AVAILABLE AS ASSEMBLY)	425
56	<b>2160400001</b>	HORN INSTALLATION	427
76	<b>6376000140</b>	DECAL INSTALL - RT59/60/620	429
164	<b>7974000049</b>	HOIST ASSEMBLY - MODEL 11	433
	<b>7974000049</b>	HOIST ASSEMBLY - MODEL 11	435
	<b>7974000049</b>	HOIST ASSEMBLY - MODEL 11	437
	<b>7974000049</b>	HOIST ASSEMBLY - MODEL 11	439
	<b>7974000049</b>	HOIST ASSEMBLY - MODEL 11	441
	<b>7974000049</b>	HOIST ASSEMBLY - MODEL 11	443

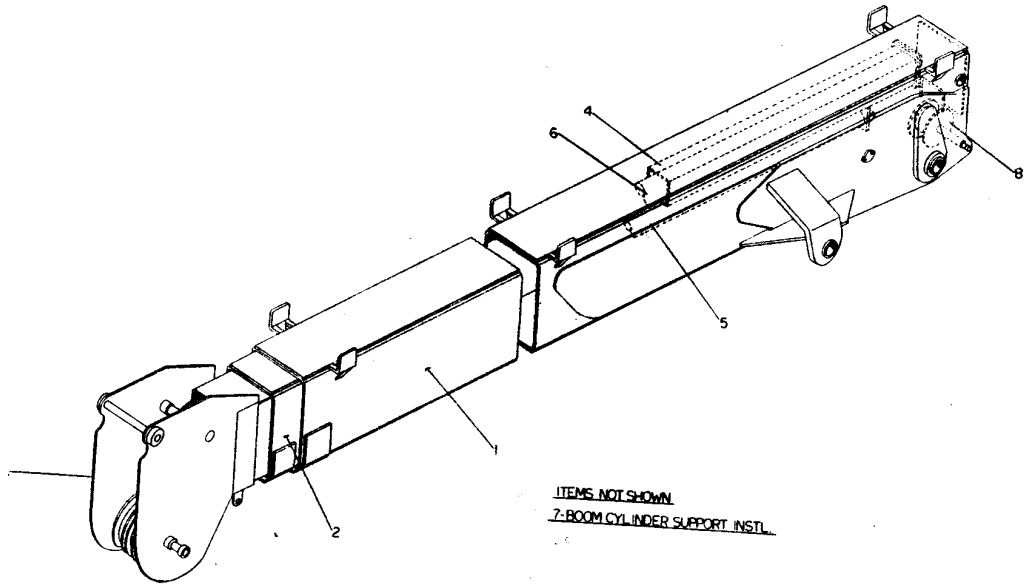
**Manitowoc Crane Group**  
**MACHINE COMPONENT INDEX**

Date: Jun 03, 2008

Rev:

<u>Model Number</u> RT60		<u>Serial Number</u> 36XXX	
Item	Part	Description	Page
	7974000049	HOIST ASSEMBLY - MODEL 11	445

# Manitowoc Crane Group



# Manitowoc Crane Group

Description  
**BOOM ASSY.COMP. BASE SECTION**

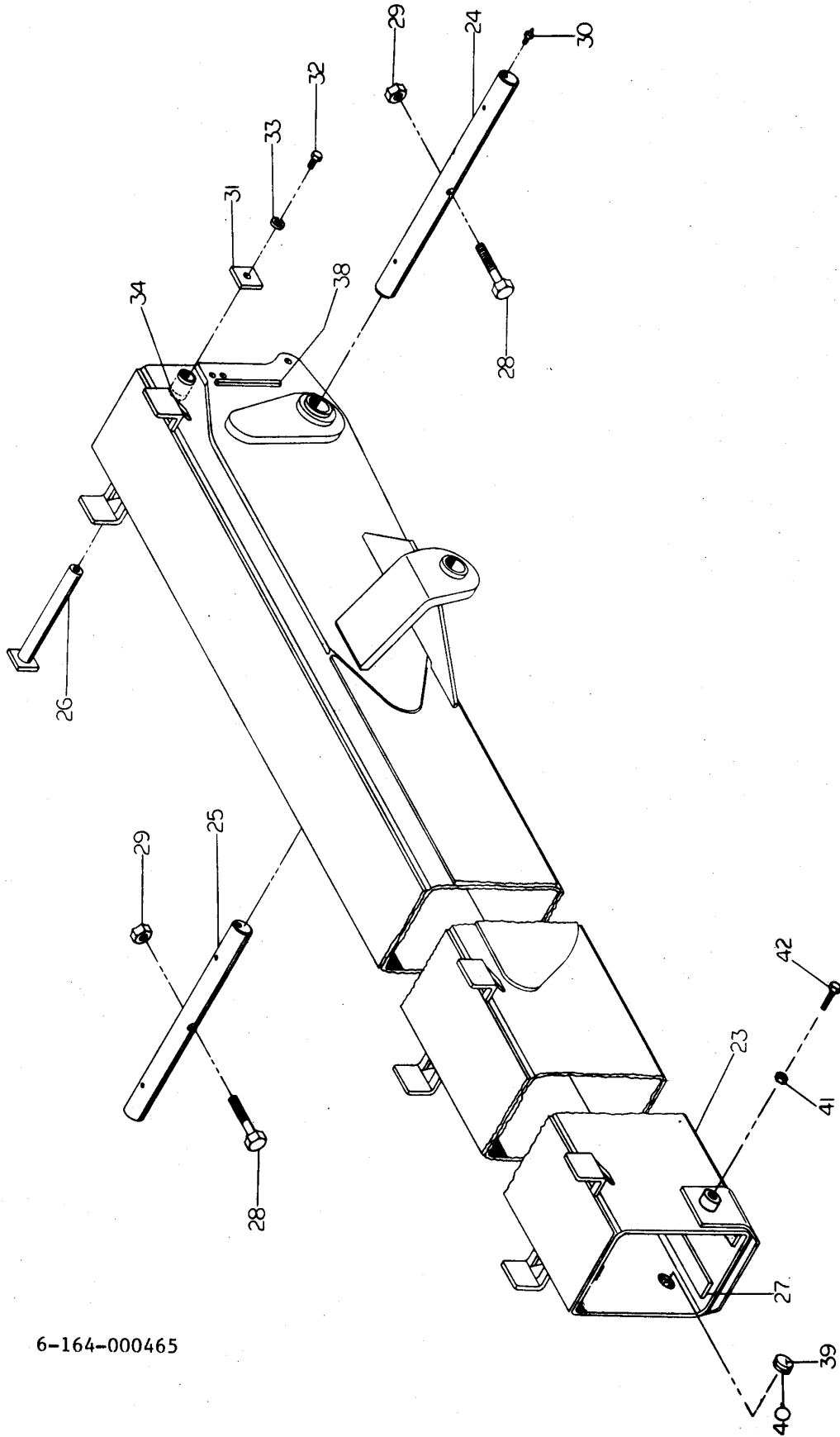
Assembly No.  
**6164000463**  
 Revision:

Item	FN	Part	Qty	Description
1	+	6164000465	1	SECTION ASSEMBLY - BOOM BASE
2	+	2115900061	1	SECTION ASSEMBLY - BOOM MID
3	%	6164000557	1	BOOM NOSE/FLY SECTION
4	%	6176000175	1	BOX, CYLINDER
5	+	6372000824	1	CYLINDER ASSEMBLY - 4" TELESCOPE
6	+	6372000593	1	CYLINDER ASSEMBLY - 5" TELESCOPE
7	+	6869000119	1	CYLINDER SUPPORT INSTALLATION (NOT AVAILABLE AS ASSEMBLY)
8	%	6718000116	1	HOSE SHEAVE AND REAR BOOM COVER INSTALLATION

+ SEE FURTHER BREAKDOWN THIS GROUP

% SEE NOTE AT END OF LIST

# Manitowoc Crane Group



6-164-000465

6164000465

(SHEET 1 OF 1)

36XXXe 4

# Manitowoc Crane Group

Description

**SECTION ASSEMBLY - BOOM BASE**

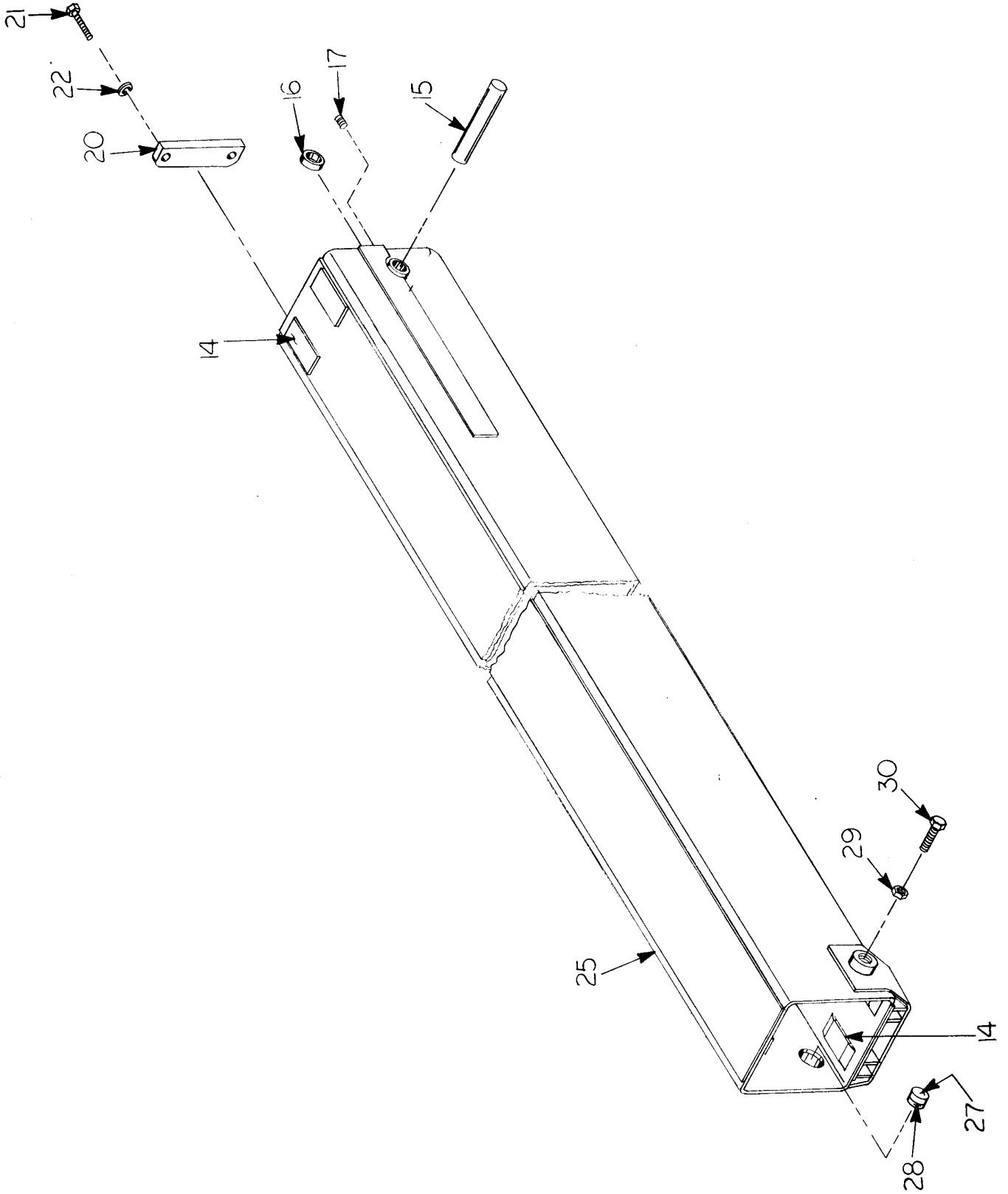
Assembly No.

**6164000465**

Revision:

Item	FN	Part	Qty	Description
23		6164000466	1	BOOM BASE SECTION
24		6810000995	1	SHAFT, TAPPED
25		6810000996	1	SHAFT, DOUBLE TAPPED
26		6810000624	1	SHAFT, HEADED
27		6671000013	2	PAD, WEAR
28		7115264450	2	CAP SCREW, 1" - 8 N.C. X 5 1/2" GRADE 5
29		7660261600	2	LOCKNUT 1" - 8 N.C.
30		7440000000	4	FITTING-GREASE
31		6258000123	1	CAP, END
32		7112180850	1	CAP SCREW, 1/2" - 13 N.C. X 1" GRADE 5
33		7950180050	1	LOCK WASHER, 1/2" I.D.
34		6207200806	2	BUSHING
38		6570167200	2	KEY STOCK
39		6671000077	2	PAD, SIDE WEAR
40		6705004262	2	PLATE
41		7660260200	2	NUT, HEX JAM 1" - 8 N.C.
42		7112262050	2	BOLT, HEX 1"-8 NC X 2 1/2" - GRD 2

# Manitowoc Crane Group





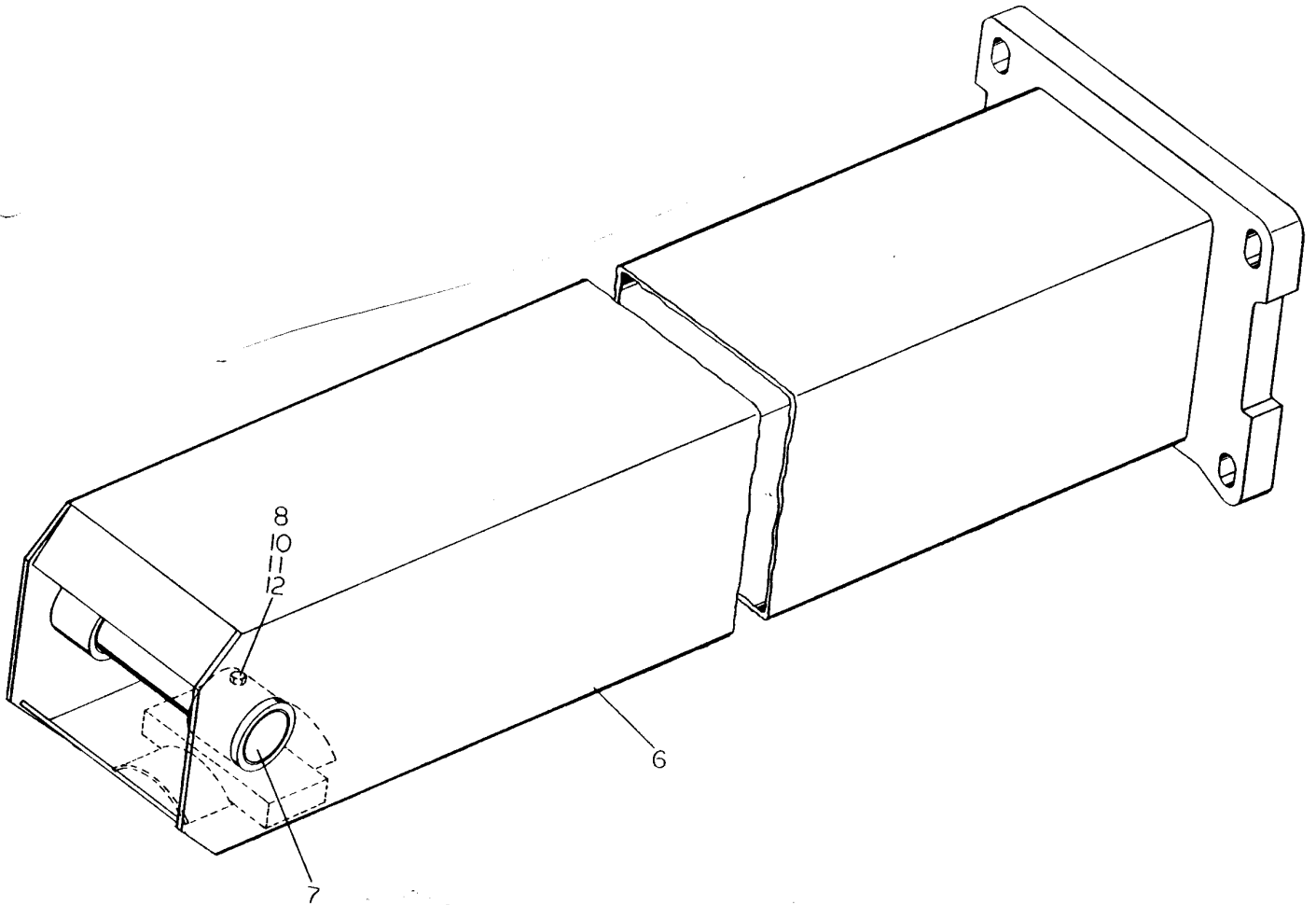
# Manitowoc Crane Group

Description  
SECTION ASSEMBLY - BOOM MID

Assembly No.  
**2115900061**  
Revision:

Item	FN	Part	Qty	Description
14		6671000013	4	PAD, WEAR
15		6810000667	1	SHAFT
16		6207180821	2	BUSHING USE WITH 4" TELESCOPE CYLINDER - 6-372-000651
16		6199000631	2	BUSHING USE WITH 4" TELESCOPE CYLINDER - 6-372-000824
17		7785160590	2	SET SCREW 3/8" - 16 N.C. X 5/16"
20		6300000084	2	CLAMP
21		7118202850	4	CAP SCREW, 5/8" - 11 N.C. X 3 1/2" GRADE 8
22		7950200050	4	WASHER, 5/8" I.D. LOCK
25		2115900060	1	BOX, MID BOOM
27		6671000077	2	PAD, SIDE WEAR
28		6705004262	2	PLATE
29		7660260200	2	NUT, HEX JAM 1" - 8 N.C.
30		7115262050	2	CAP SCREW, 1" - 8 N.C. X 2 1/2" GRADE 5

# Manitowoc Crane Group



6176000175

(SHEET 1 OF 1)

36XXe 8

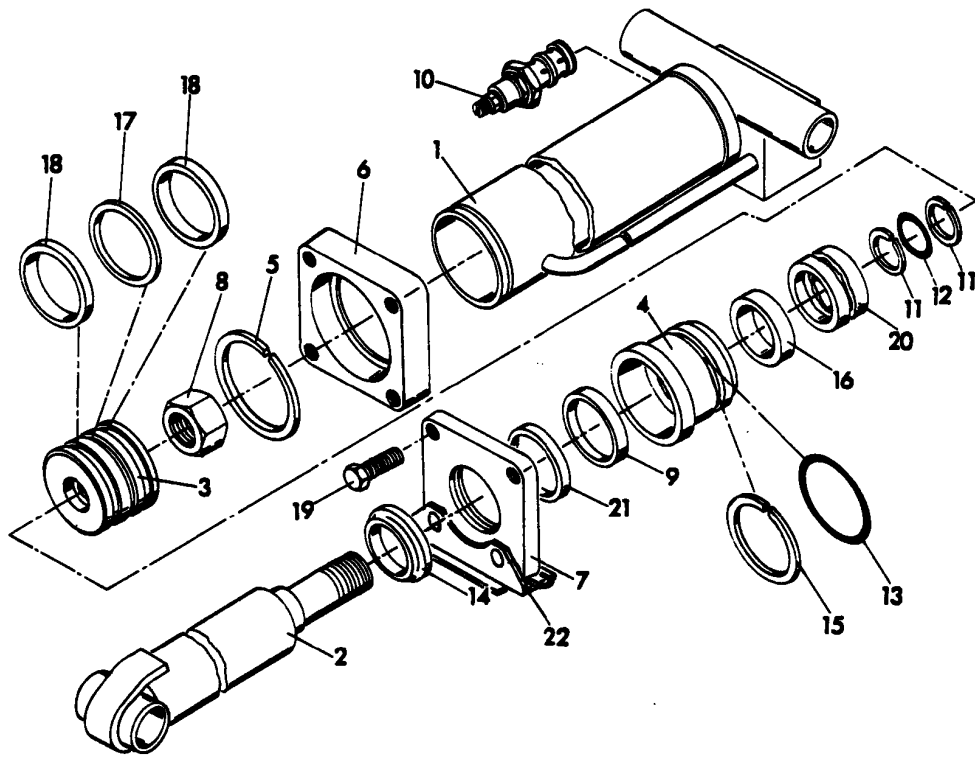
# Manitowoc Crane Group

Description  
**BOX, CYLINDER**

Assembly No.  
**6176000175**  
Revision:

Item	FN	Part	Qty	Description
6		6176000174	1	BOX, CYLINDER
7		6810000181	1	SHAFT
8		7115142450	1	CAP SCREW, 1/4" - 20 N.C. X 3" GRADE 5
10		7950140141	1	FLATWASHER, 1/4" I.D.
11		7950140050	1	LOCKWASHER, 1/4" I.D.
12		7660140000	1	NUT, HEX 1/4" - 20 N.C.

# Manitowoc Crane Group



# Manitowoc Crane Group

Description  
CYLINDER ASSEMBLY - 4" TELESCOPE

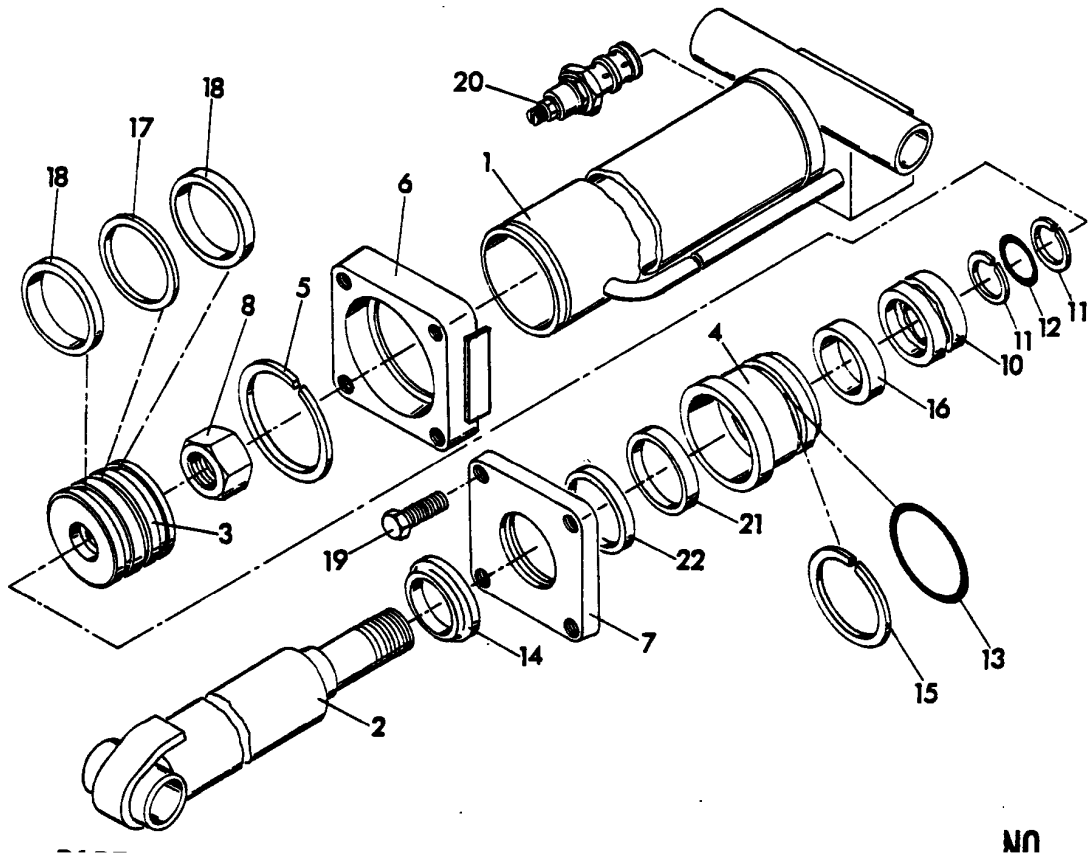
Assembly No.  
**6372000824**  
Revision: F

Item	FN	Part	Qty	Description
1		6372001395	1	BARREL
2		6768000322	1	ROD,CYL
3		6701000084	1	PISTON
4		6372000826	1	HEAD
5		6753000017	1	RING, LOCK
6		6753000022	1	RING, RETAINING
7		6372001514	1	PLATE, HEAD
8		7660340030	1	NUT, HEX 1 1/2" - 12 N.F.
9	*	7794000256	1	SEAL, ROD
10	+	7926000154	1	VALVE,HOLDING 3/8 X 1/2 W/PILO INCLUDES THE FOLLOWING PARTS
	+	9926112122	1	KIT,SEAL
11	*	7755325609	2	RING, BACK-UP
12	*	7755325000	1	O-RING
13	*	7755342000	1	O-RING
14	*	7794000277	1	RING, WIPER
15	*	7755342609	1	RING, BACK-UP
16	*	7753000218	1	RING, WEAR
17	*	7753000114	1	RING, GT
18	*	7753000118	2	RING, WEAR
19		7105201650	4	CAP SCREW, 5/8" - 18 N.F. X 2" GRADE 5
20		6910000838	1	SPACER
21	*	6753000220	1	RING, BACK-UP
22		6869000120	1	SKID, CYL HEAD
23	*	9752100114	1	KIT, REPAIR

\* REPAIR KIT AND/OR PART OF KIT

+ SEE FURTHER BREAKDOWN THIS GROUP

# Manitowoc Crane Group



MM

# Manitowoc Crane Group

Description  
**CYLINDER ASSEMBLY - 5" TELESCOPE**

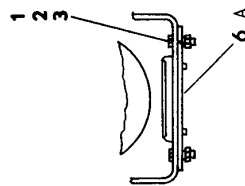
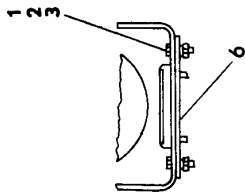
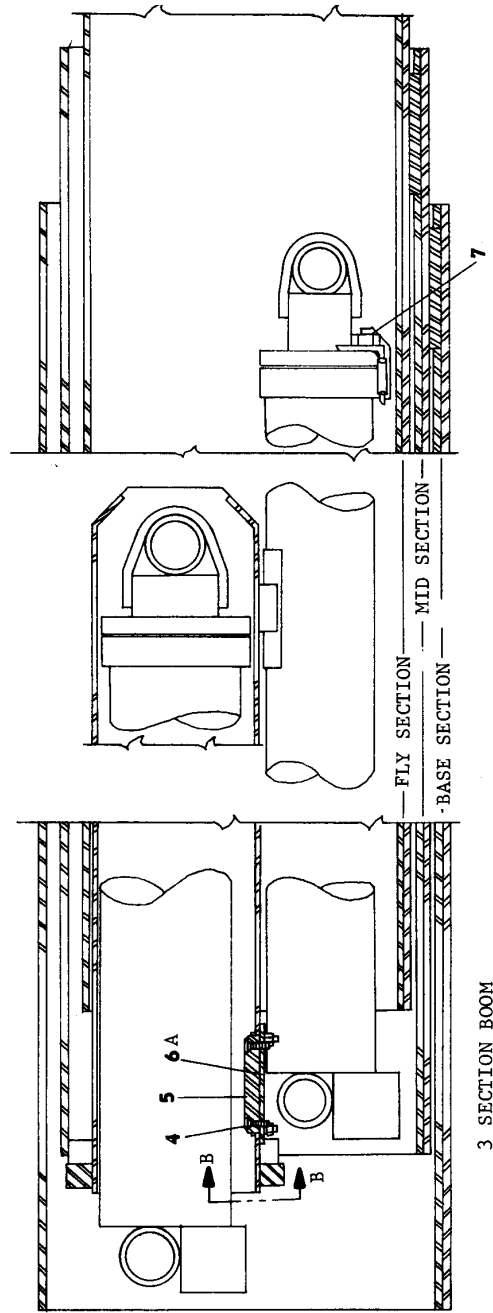
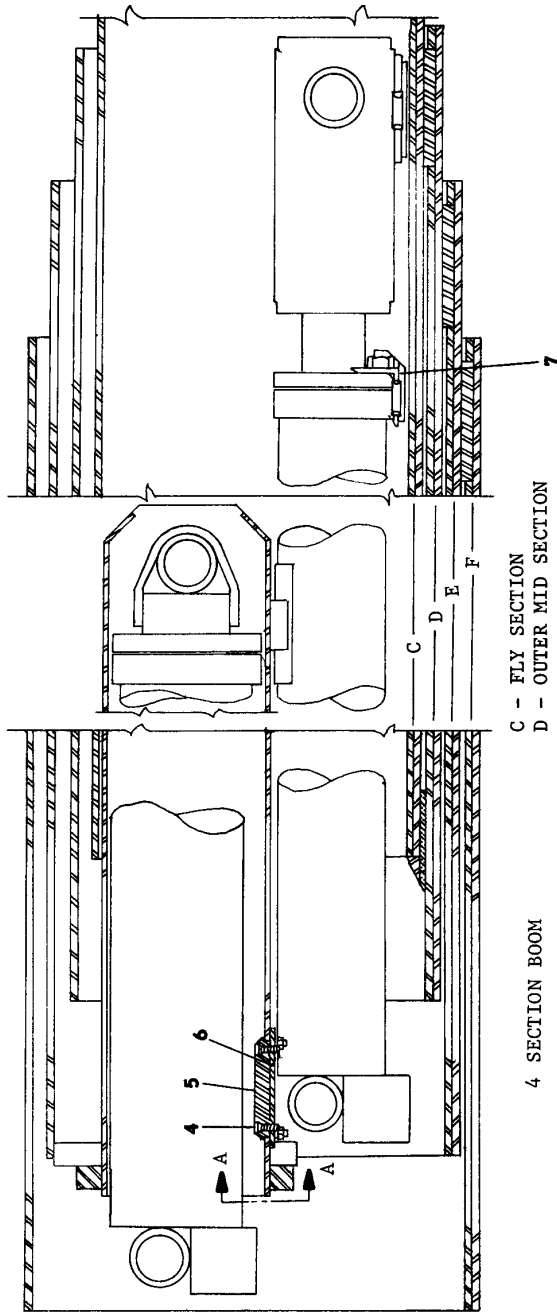
Assembly No.  
**6372000593**  
 Revision: H

Item	FN	Part	Qty	Description
1		6372001365	1	BARREL
2		6810000176	1	ROD, CYLINDER
3		6701000085	1	PISTON
4		6372000567	1	HEAD
5		6753000018	1	RING, LOCK
6		6753000403	1	RING, RETAINING
7		6705000221	1	PLATE, HEAD
8		7660341630	1	LOCKNUT 1 1/2" - 12 N.F.
10		6768000224	1	SPACER, ROD
11	*	7755325609	2	RING, BACK-UP
12	*	7755325000	1	O-RING
13	*	7754000135	1	O-RING, LOW TEMPERATURE
14	*	7794000022	1	SEAL, SCRAPER
15	*	7755425609	1	RING, BACK-UP
16	*	7753000148	1	RING, WEAR
17	*	7753000115	1	RING, GT
18	*	7753000119	2	RING, GT WEAR
19		7105221850	4	CAP SCREW, 3/4" -16 N.F. X 2 1/4" GRADE 5
20	+	7926000154	1	VALVE,HOLDING 3/8 X 1/2 W/PILO INCLUDES THE FOLLOWING PARTS
	+	9926112122	1	KIT,SEAL
21	*	7794000002	1	SEAL, "U" CUP ROD
22	*	6753000145	1	RING, BACK-UP
23	*	9752100076	1	KIT, REPAIR

\* REPAIR KIT AND/OR PART OF KIT

+ SEE FURTHER BREAKDOWN THIS GROUP

# Manitowoc Crane Group





# Manitowoc Crane Group

Description

**CYLINDER SUPPORT INSTALLATION (NOT AVAILABLE AS ASSEMBLY)**

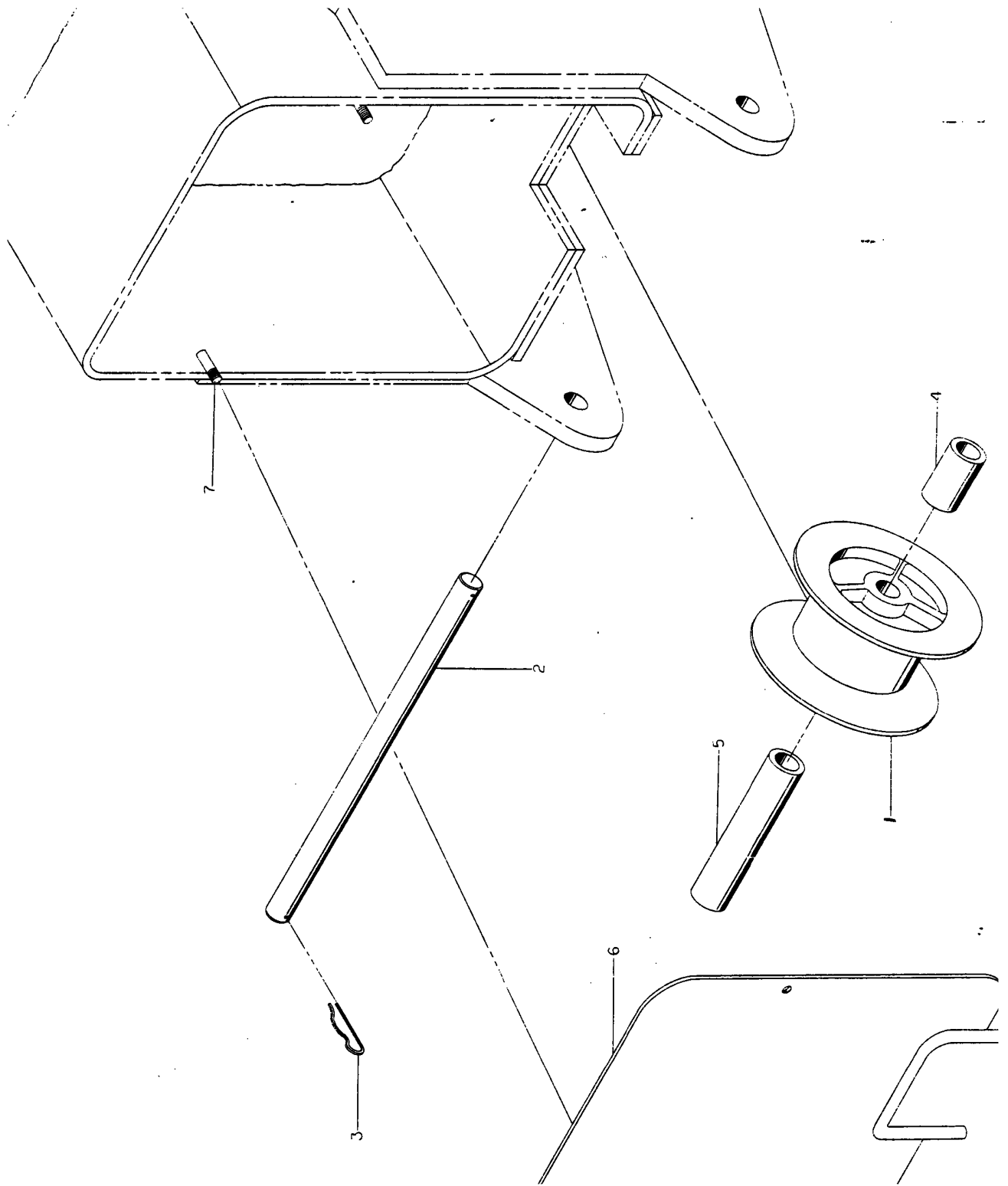
Assembly No.

**6869000119**

Revision: **A**

Item	FN	Part	Qty	Description
1		7115140550	4	CAP SCREW, 1/4" - 20 N.C. X 5/8" GRADE 5
2		7950140050	4	LOCKWASHER, 1/4" I.D.
3		7660140000	4	NUT, HEX 1/4" - 20 N.C.
4		7111140607	4	SCREW, MACHINE 1/4" - 20 N.C. X 3/4" GRADE 1
5		6671000052	1	PAD, WEAR
6		6705002394	1	PLATE, SUPPORT USE ON 4-SECTION BOOM
6		6705002395	1	FLATWASHER USE ON 3-SECTION BOOM
7		6869000120	1	SKID, CYL HEAD

# Manitowoc Crane Group



6718000116

(SHEET 1 OF 1)

36XXXe 16

# Manitowoc Crane Group

Description

**HOSE SHEAVE AND REAR BOOM COVER INSTALLATION**

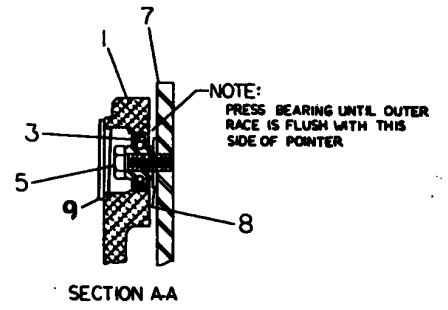
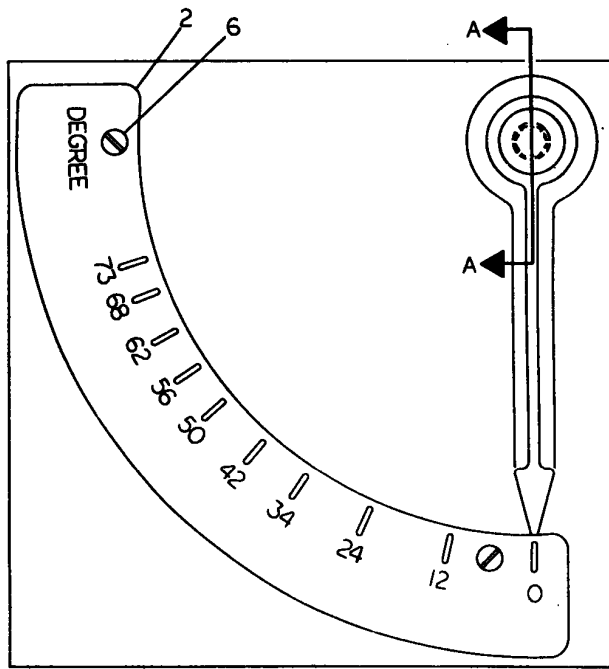
Assembly No.

**6718000116**

Revision: **A**

Item	FN	Part	Qty	Description
1		6718000018	1	SHEAVE, HOSE
2		6810001050	1	SHAFT
3		7689000053	2	PIN, CLIP
4		6208120818	1	BUSHING
5		6208120851	1	BUSHING
6		2160900013	1	COVER ASSEMBLY
7		6865161030	2	STUD
8		7660162100	2	NUT, WING 3/8" - 16 N.C.

# Manitowoc Crane Group



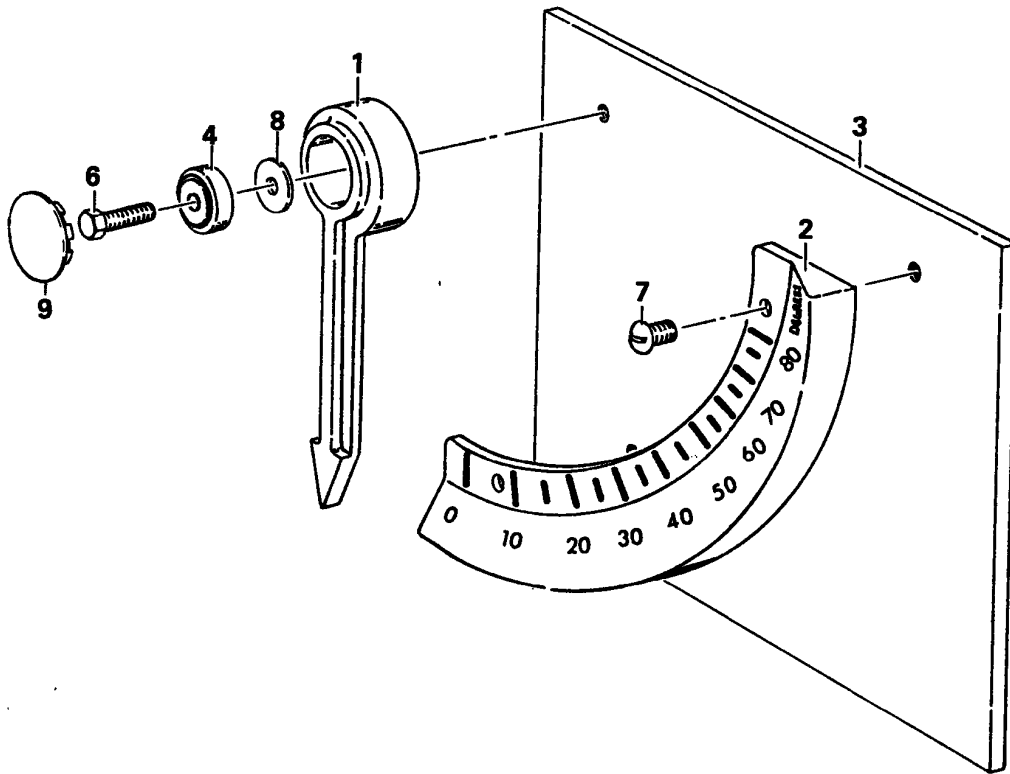
# Manitowoc Crane Group

Description  
**ELEVATION INDICATOR - RIGHT HAND BOOM**

Assembly No.  
**6486000060**  
Revision: H

Item	FN	Part	Qty	Description
1		6486000050	1	INDICATOR, ELEVATION - POINTER
2		6486000356	1	INDICATOR, BOOM ELEVATION
3		7069000105	1	BEARING
5		7112140550	1	CAP SCREW, 1/4" - 20 N.C. X 5/8"
6		7111140310	2	SCREW, MACHINE 1/4" - 20 N.C. X 3/8" GRADE 1
7		6705000711	1	PLATE, MOUNTING
8		7950140161	1	FLATWASHER, 1/4" I.D.
9		7242000021	1	PLUG, 1" BUTTON

# Manitowoc Crane Group



6486000053

(SHEET 1 OF 1)

36XXe 20

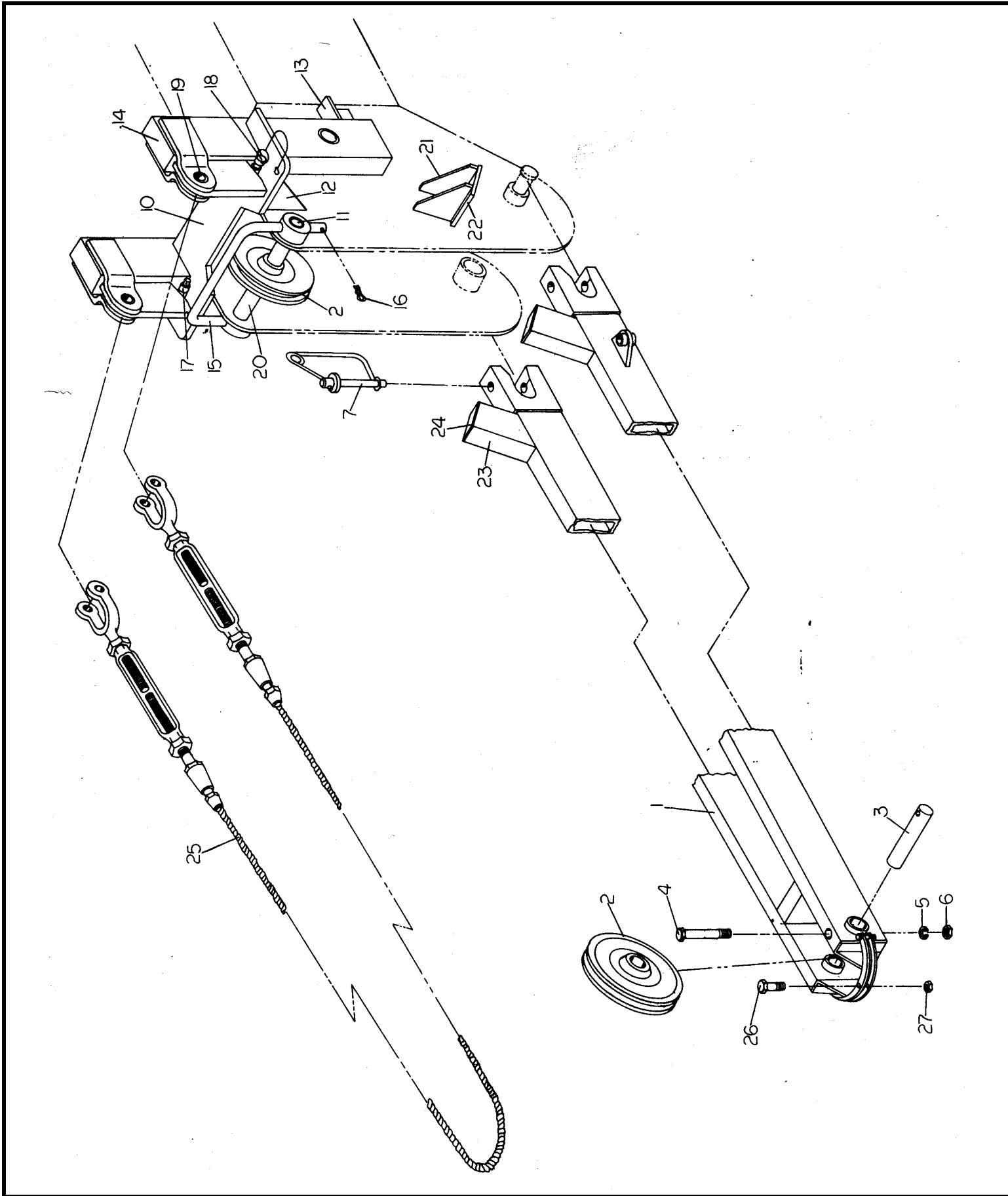
# Manitowoc Crane Group

Description  
**ELEVATION INDICATOR - LEFT HAND BOOM**

Assembly No.  
**6486000053**  
 Revision: **G**

Item	FN	Part	Qty	Description
1		6486000050	1	INDICATOR, ELEVATION - POINTER
2		6486000357	1	INDICATOR, BOOM ELEVATION - LH
3		6705000711	1	PLATE, MOUNTING
4		7069000105	1	BEARING
6		7115140550	1	CAP SCREW, 1/4" - 20 N.C. X 5/8" GRADE 5
7		7111140310	2	SCREW, MACHINE 1/4" - 20 N.C. X 3/8" GRADE 1
8		7950140161	1	FLATWASHER, 1/4" I.D.
9		7242000021	1	PLUG, 1" BUTTON

# Manitowoc Crane Group



6164000237

(SHEET 1 OF 1)

36XXXe 22



# Manitowoc Crane Group

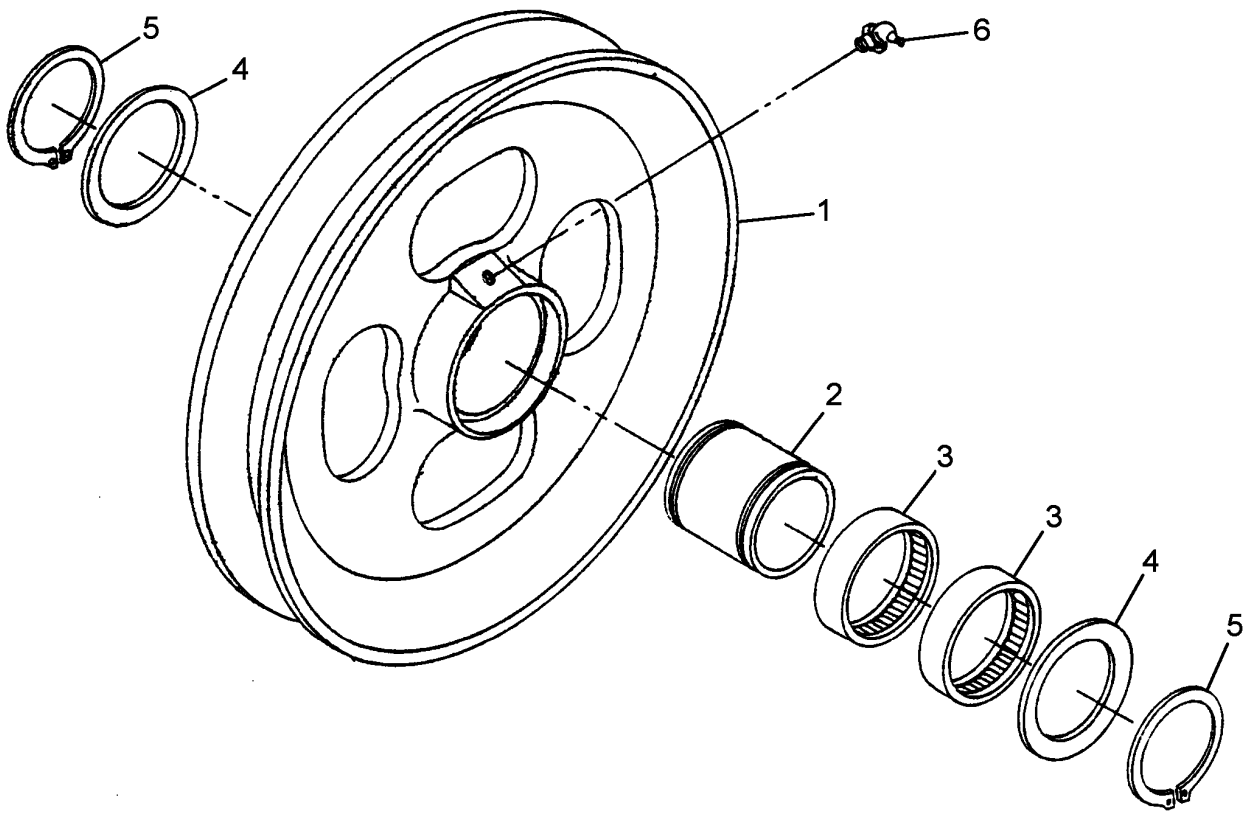
Description  
**JIB BOOM INSTALLATION - 24'**

Assembly No.  
**6164000237**  
 Revision:

Item	FN	Part	Qty	Description
1		6164000235	1	JIB BOOM
2	+	6718000092	2	SHEAVE WHEEL ASSEMBLY
3		4122900113	1	SHAFT
4		7115165250	1	3/8" - 16 N.C. X 6 1/2"
5		7950160050	1	LOCKWASHER, 3/8" I.D.
6		7660160000	1	NUT, HEX 3/8" - 16 N.C.
7		7689000074	2	PIN, SNAP LOCK
10		4123900190	1	PLATE, STOP
11		4155900007	1	SHAFT
12		6842000191	2	GUSSET
13		6030000373	2	ANGLE
14		2123900100	2	MAST, CABLE SUPPORT
15		2155900009	1	RETAINER, CABLE
16		7689000053	2	PIN, CLIP
17		6207080808	6	BUSHING
18		7689000096	2	PIN, W/LANYARD
19		6705001431	2	PLATE, SPACER
20		6205200833	2	BUSHING
21		6842000406	4	GUSSET
22		6705002759	2	PLATE
23		6180000105	2	BRACE, TUBE
24		6705002466	2	PAD
25		6246000375	1	CABLE ASSEMBLY
26		7112161650	3	USE 7115161650 CAP SCREW 3/8" - 16 N.C. X 2" GRADE 5
27		7660161600	3	LOCKNUT, HEX 3/8" - 16 N.C.

+ SEE FURTHER BREAKDOWN THIS GROUP

# Manitowoc Crane Group



671800092

(SHEET 1 OF 1)

36XXe 24

# Manitowoc Crane Group

Description

**SHEAVE WHEEL ASSEMBLY**

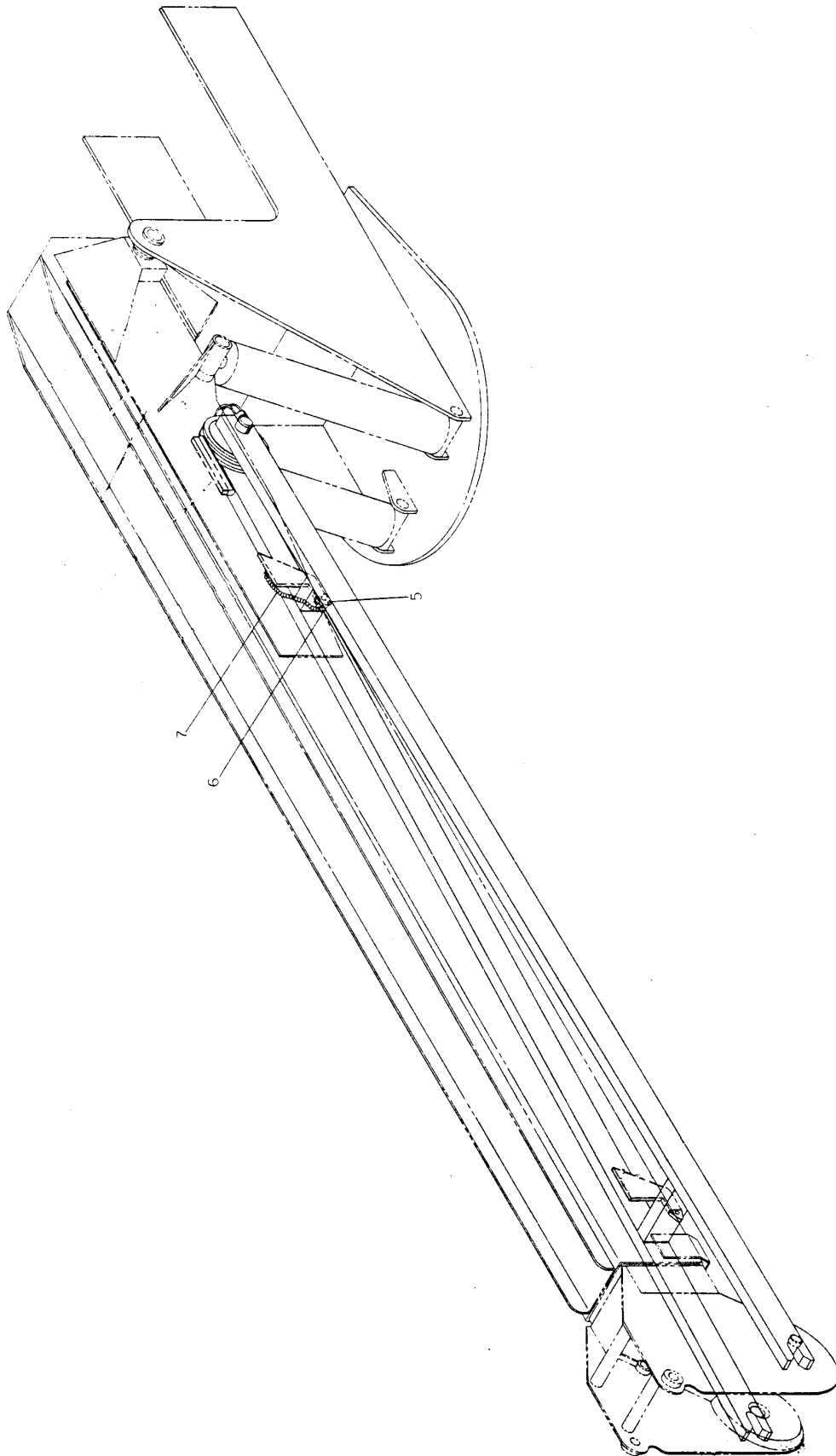
Assembly No.

**6718000092**

Revision: #

Item	FN	Part	Qty	Description
1		6718000076	1	SHEAVE
2		7069000138	1	RACE, BEARING (1 PER SHEAVE)
3		7069000137	2	BEARING, NEEDLE (2 PER SHEAVE)
4		7949000162	2	WASHER, NEEDLE BEARING (2 PER SHEAVE)
5		7753000156	2	RING, SNAP (2 PER SHEAVE)
6		7440000300	1	FITTING, 65 DEGREE GREASE (1 PER SHEAVE)

# Manitowoc Crane Group



2104900027

(SHEET 1 OF 1)

36XXe 26

# Manitowoc Crane Group

Description

**JIB CARRIER INSTALLATION**

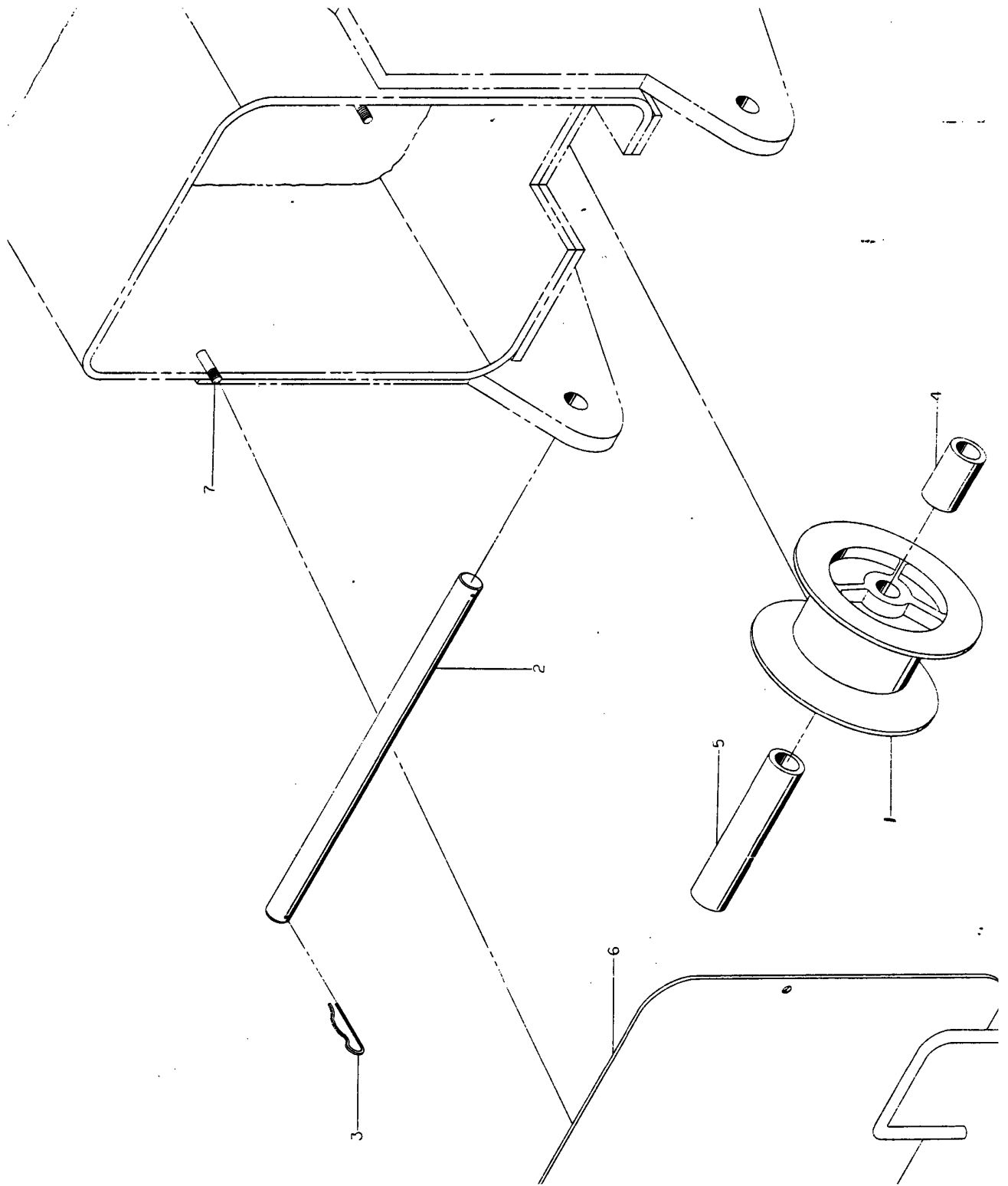
Assembly No.

**2104900027**

Revision:

Item	FN	Part	Qty	Description
5		6689000035	1	PIN, JIB CARRIER
6		7689000036	1	PIN, CLIP
7		9286100001	1	CHAIN 3' PC. ( MUST CUT TO LENGTH NEEDED )

# Manitowoc Crane Group



6718000116

(SHEET 1 OF 1)

36XXXe 28

# Manitowoc Crane Group

Description

**HOSE SHEAVE AND REAR BOOM COVER INSTALLATION**

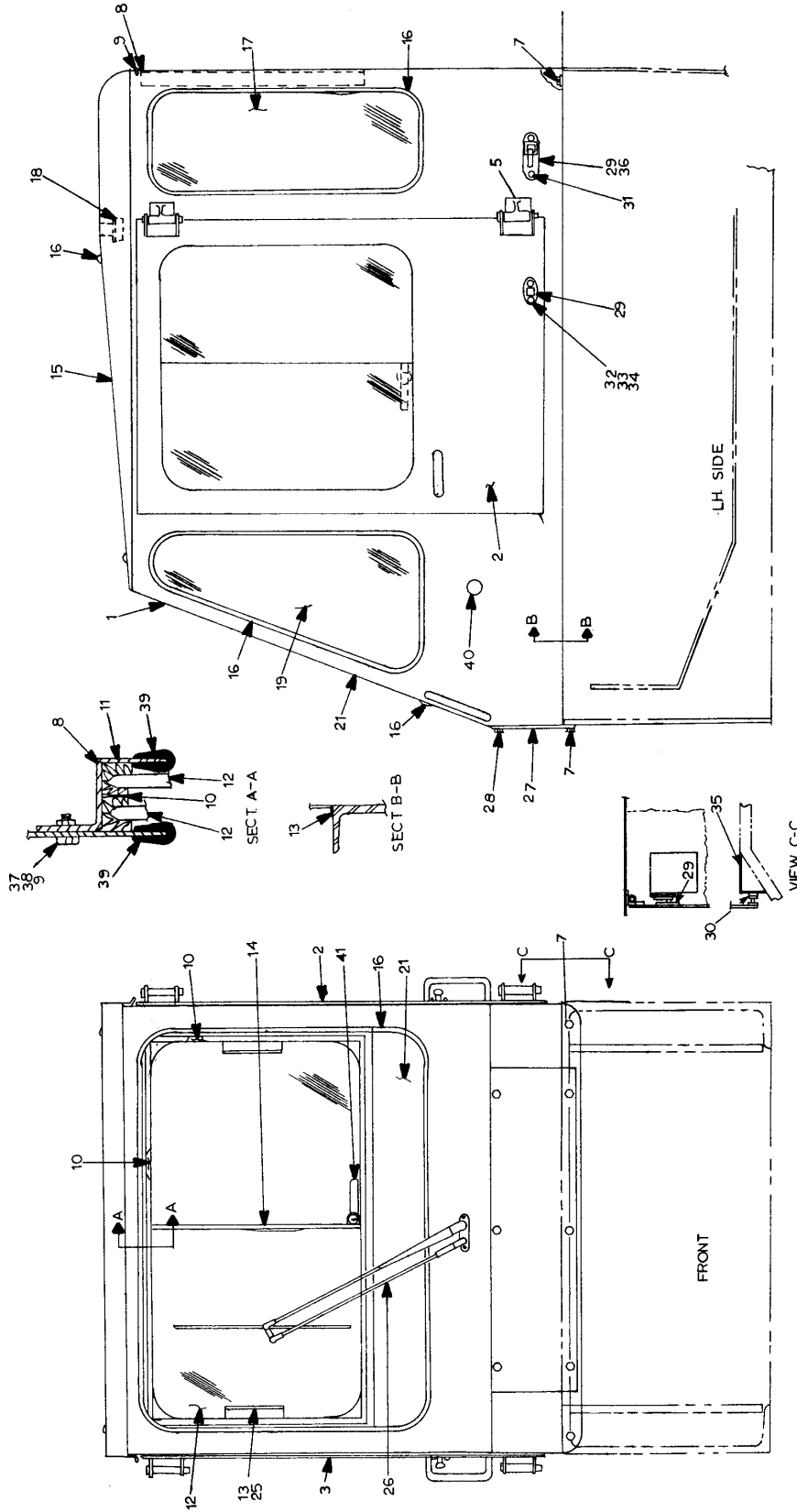
Assembly No.

**6718000116**

Revision: **A**

Item	FN	Part	Qty	Description
1		6718000018	1	SHEAVE, HOSE
2		6810001050	1	SHAFT
3		7689000053	2	PIN, CLIP
4		6208120818	1	BUSHING
5		6208120851	1	BUSHING
6		2160900013	1	COVER ASSEMBLY
7		6865161030	2	STUD
8		7660162100	2	NUT, WING 3/8" - 16 N.C.

# Manitowoc Crane Group



160-4-00002

NOT SHOWN  
#42 WINDSHIELD DEFROSTER  
INSTAL.



# Manitowoc Crane Group

Description  
**CAB INSTALLATION**

Assembly No.  
**2160400002**  
Revision:

Item	FN	Part	Qty	Description
1		2160400003	1	WELD, CAB
2	+	2160400004	1	DOOR ASSEMBLY - LEFT HAND SIDE CAB
3	+	2160400006	1	DOOR ASSEMBLY - RIGHT HAND CAB
5		2160400070	4	HINGE
7		7790161253	7	SCREW 3/8" - 16 N.C. X 3/4"
8		4160400023	1	FRAME, TOP GLASS
9		71111100610	5	SCREW, MACHINE 3/16" - 24 N.C. X 3/4" GRADE 1
10		6637025009	2	CHANNEL, DOUBLE GLASS RUN
11		6637026009	1	TAPE, SPACER
12		7498000038	2	GLASS, REAR SLIDING
13		6637012017	1	WEATHERSTRIP
14		6637027002	1	CHANNEL, EDGE
15	%	7498000044	1	SKYLIGHT, TINTED
16		6637003042	1	CAB, WEATHERSTRIP
17		7498000074	2	GLASS, SIDE PANEL
18	+	2160400009	1	LIGHT INSTALLATION - CAB (NOT AVAILABLE AS ASSEMBLY)
19		7498000041	2	GLASS, SIDE PANEL
21		7498000042	1	WINDSHIELD, FRONT
25		7511000052	2	PULL, FINGER
26	+	2160400077	1	WIPER INSTALLATION - ELECTRIC WINDSHIELD (NOT AVAILABLE AS ASSEMBLY)
27		4160400024	1	COVER, FRONT ACCESS
28		7790140853	6	SCREW, SELF-TAPPING 1/4" - 20 N.C. X 1/2"
29		7531000005	2	HOLDER, DOOR STRAP INCLUDES THE FOLLOWING PARTS
		3531000001	1	MALE HOLDER
		3531000002	1	FEMALE HOLDER
30	%	4160400050	2	SPACER, FRICTION STOP TO BE USED WHEN CRANE IS FURNISHED WITH FENDERS

+ SEE FURTHER BREAKDOWN THIS GROUP

% SEE NOTE AT END OF LIST

# Manitowoc Crane Group

Description  
**CAB INSTALLATION**

Assembly No.  
**2160400002**  
Revision:

Item	FN	Part	Qty	Description
31		7111140307	4	SCREW, MACHINE 1/4" - 20 N.C. X 3/8" GRADE 1
32		7112141450	4	1/4" - 20 N.C. X 1 3/4"
33		7660140000	4	NUT, HEX 1/4" - 20 N.C.
34		7950140050	4	LOCKWASHER, 1/4" I.D.
35	%	4160400108	2	STOP, DOOR TO BE USED WHEN CRANE IS FURNISHED WITH FENDERS
36	%	4160400107	2	SPACER TO BE USED WHEN CRANE IS FURNISHED WITHOUT FENDERS
37		7950100050	5	LOCK WASHER, 3/16" I.D.
38		7660100000	5	NUT, HEX 3/16" - 32 N.F. GRADE 1
39		6637006018	1	TRIM, WINDOW
40		7242000010	2	BUTTON, PLUG 7/8"
41	+	6585000063	3	LOCK INSTALLATION - WINDOW (NOT AVAILABLE AS ASSEMBLY)
42	+	6380000006	1	DEFROSTER INSTALLATION - WINDSHIELD (NOT AVAILABLE AS ASSEMBLY)

% SEE NOTE AT END OF LIST

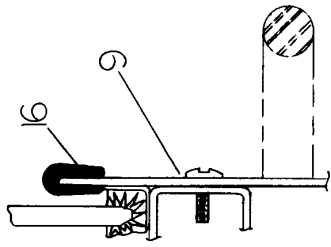
+ SEE FURTHER BREAKDOWN THIS GROUP

# ***Manitowoc Crane Group***

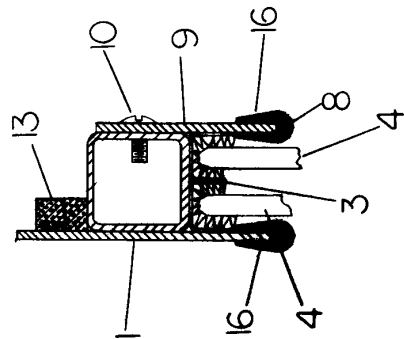
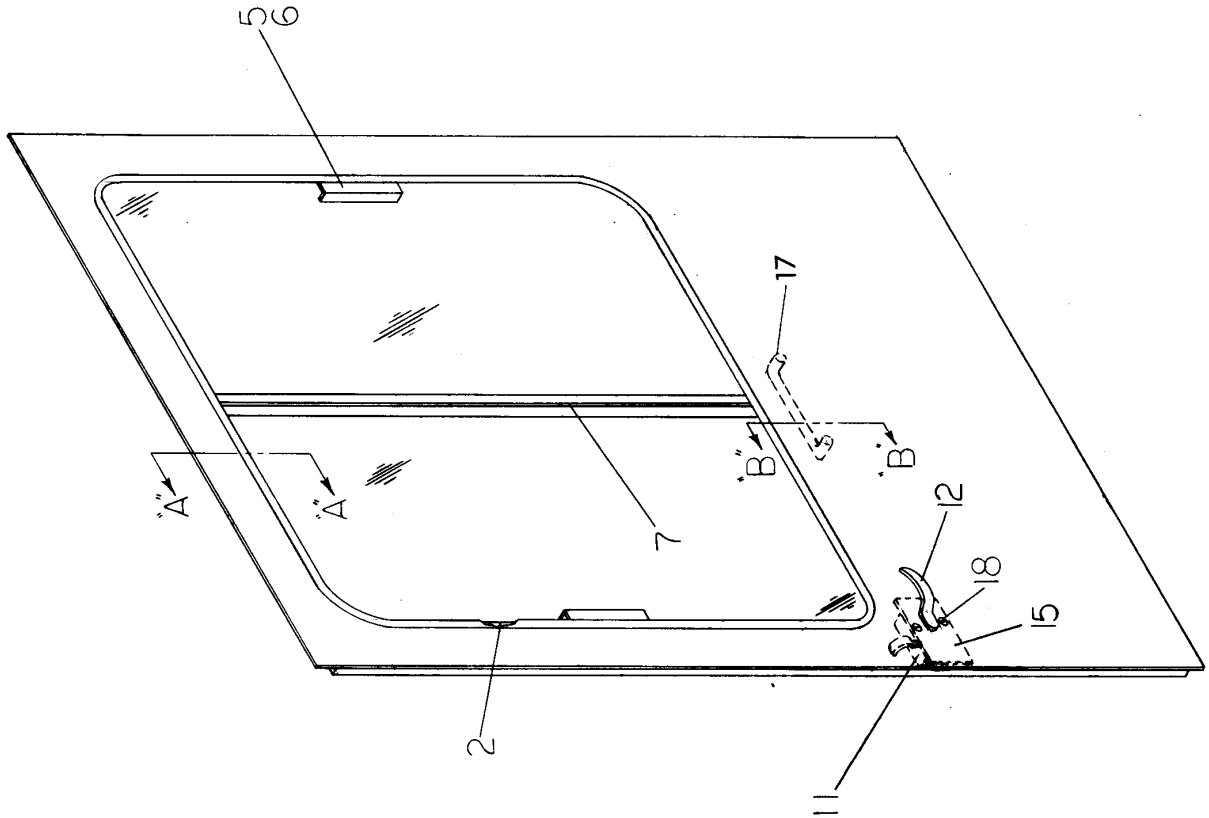
Notes

---

# Manitowoc Crane Group



SECT. "B-B"  
SCALE 1:1



SECT. "A-A"  
SCALE 1:1

2160400004

2160400004

(SHEET 1 OF 1)

36XXXe 34

# Manitowoc Crane Group

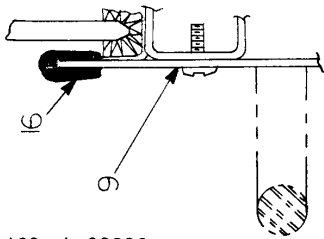
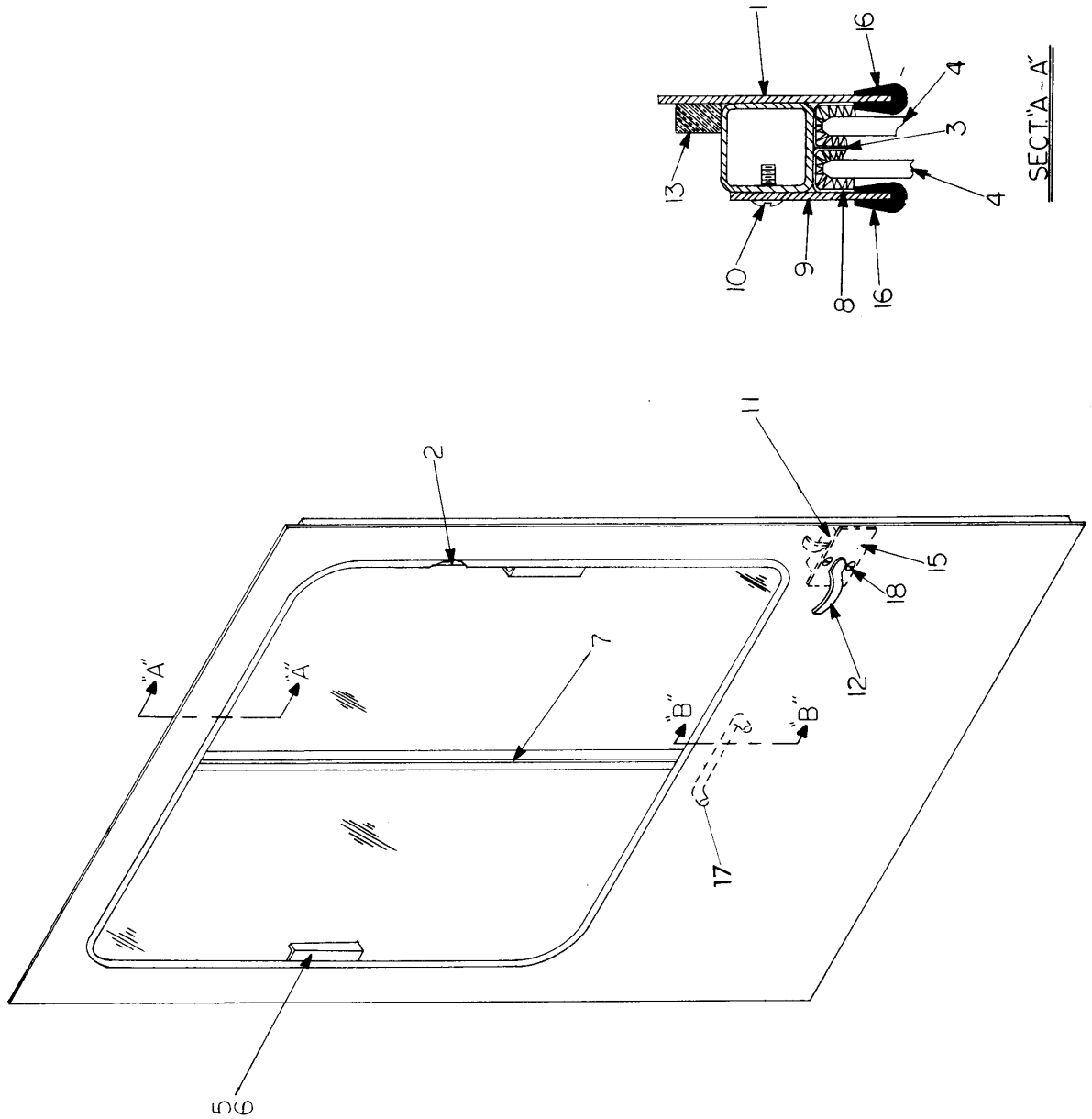
Description  
**DOOR ASSEMBLY - LEFT HAND SIDE CAB**

Assembly No.  
**2160400004**  
 Revision:

Item	FN	Part	Qty	Description
1		2160400005	1	WELD, L.H. CAB DOOR
2		6290000116	2	CHANNELS, GLASS RUN
3		6290000115	2	CHANNELS, GLASS RUN
4		7498000037	2	GLASS, DOOR
5		6637012001	2	GASKET, FINGER PULL
6		7511000052	2	PULL, FINGER
7		6637027002	1	CHANNEL, EDGE
8		6637026008	1	SPACER, TAPE
9		4160400019	1	PANEL, INNER
10		7790100871	31	SCREW, SELF-TAPPING 3/16" - 24 N.C. X 1/2" GRADE 1
11		7585000037	1	HANDLE, OUTSIDE
12	%	7511000036	1	HANDLE
12	%	7511000057	1	HANDLE
13		6637000010	1	WEATHERSTRIP
15		4160400020	1	PLATE, SPACER
16		6637006014	2	SEAL, CAB DOOR
17		4108400036	1	PULL, DOOR
18		7790100815	2	SCREW, SELF-TAPPING

% SEE NOTE AT END OF LIST

# Manitowoc Crane Group



2-160-4-00006

SECT. B-B

# Manitowoc Crane Group

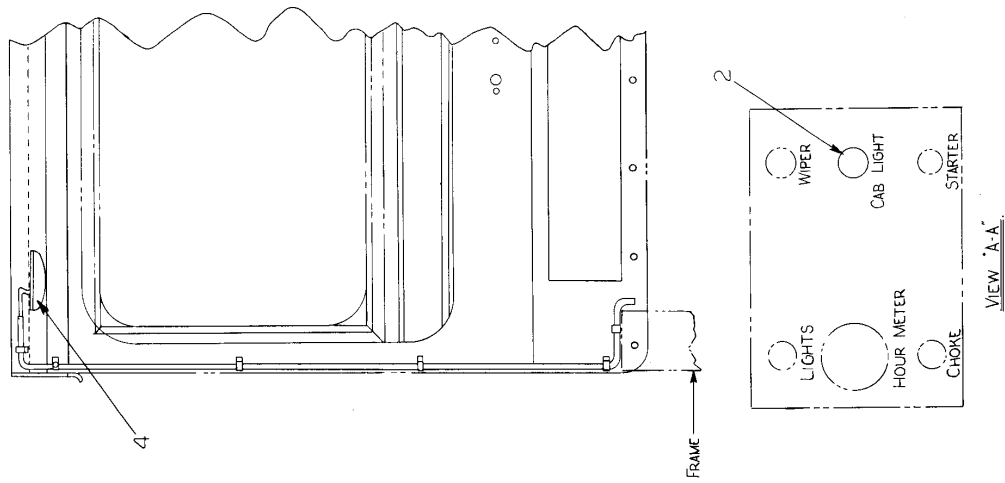
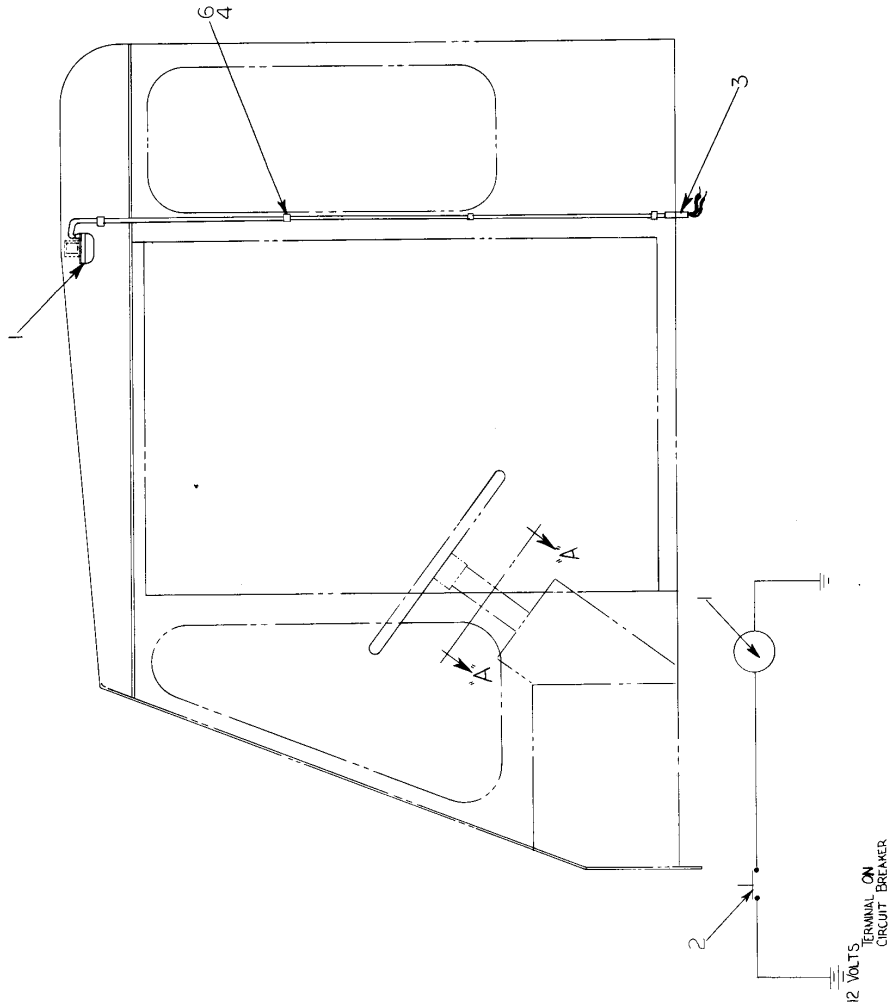
Description  
**DOOR ASSEMBLY - RIGHT HAND CAB**

Assembly No.  
**2160400006**  
 Revision:

Item	FN	Part	Qty	Description
1		2160400007	1	WELDMENT, CAB DOOR - R.H.
2		6290000116	2	CHANNELS, GLASS RUN
3		6290000115	2	CHANNELS, GLASS RUN
4		7498000037	2	GLASS, DOOR
5		6637012001	2	GASKET, FINGER PULL
6		7511000052	2	PULL, FINGER
7		6637027002	1	CHANNEL, EDGE
8		6637026008	1	SPACER, TAPE
9		4160400019	1	PANEL, INNER
10		7790100871	31	SCREW, SELF-TAPPING 3/16" - 24 N.C. X 1/2" GRADE 1
11		7585000038	1	LOCK, CAB - L.H.
12	%	7511000036	1	HANDLE
12	%	7511000057	1	HANDLE
13		6637000010	1	WEATHERSTRIP
15		4160400020	1	PLATE, SPACER
16		6637006014	2	SEAL, CAB DOOR
17		4108400036	1	PULL, DOOR
18		7790100815	2	SCREW, SELF-TAPPING

% SEE NOTE AT END OF LIST

# Manitowoc Crane Group



216040009

(SHEET 1 OF 1)

36XXXe 38



# Manitowoc Crane Group

Description

**LIGHT INSTALLATION - CAB (NOT AVAILABLE AS ASSEMBLY)**

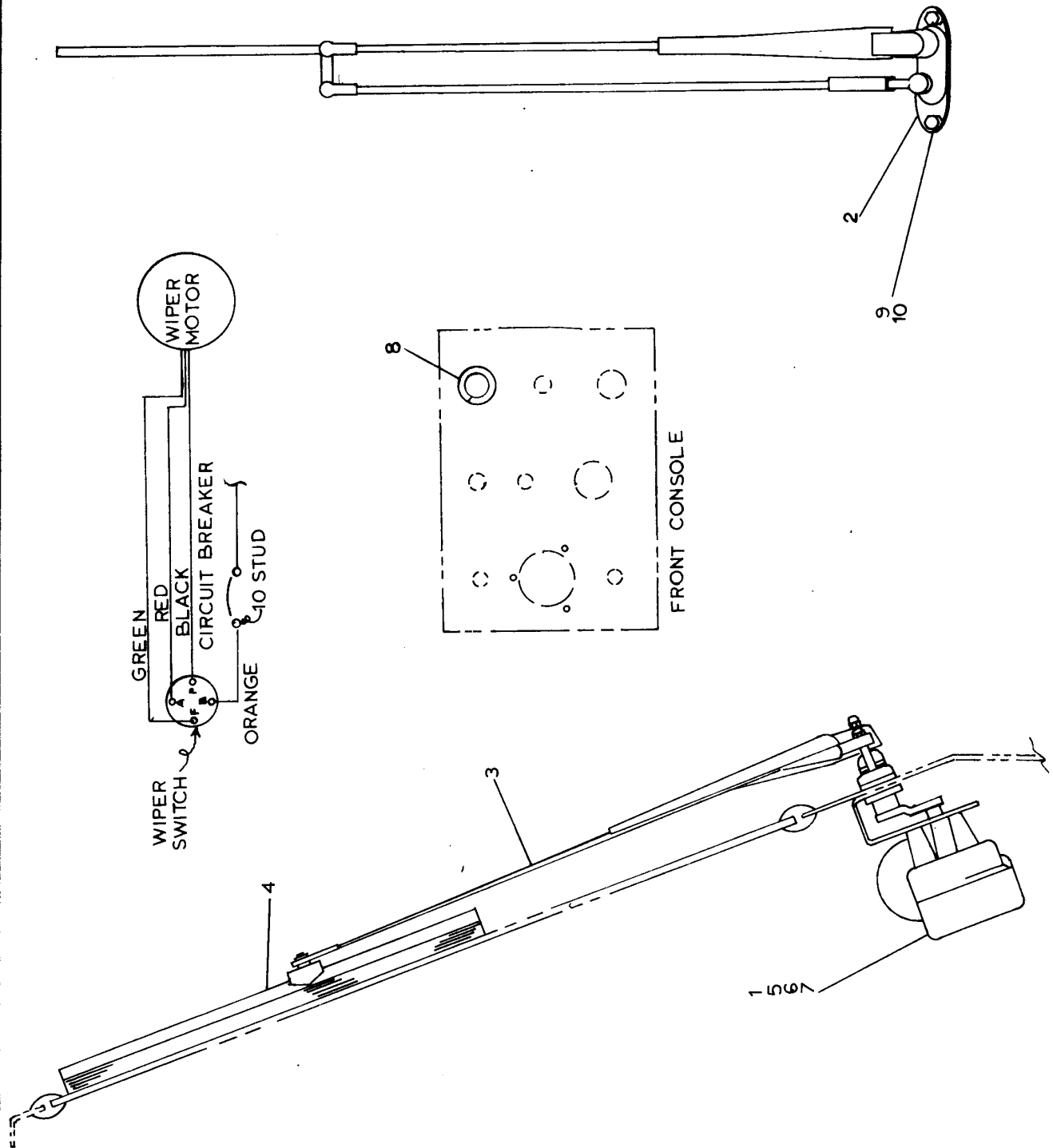
Assembly No.

**2160400009**

Revision: **D**

Item	FN	Part	Qty	Description
1		7581000015	1	LIGHT, DOME
		9581100047	2	INCLUDES THE FOLLOWING PARTS BULB
3		6557000016	1	LOOM, WIRING
4		7790100872	1	SCREW, PAN HEAD TAPPING 3/16" - 24 N.C. X 1/2"
6		7300000019	8	CLAMP

# Manitowoc Crane Group



# Manitowoc Crane Group

Description

**WIPER INSTALLATION - ELECTRIC WINDSHIELD  
(NOT AVAILABLE AS ASSEMBLY)**

Assembly No.

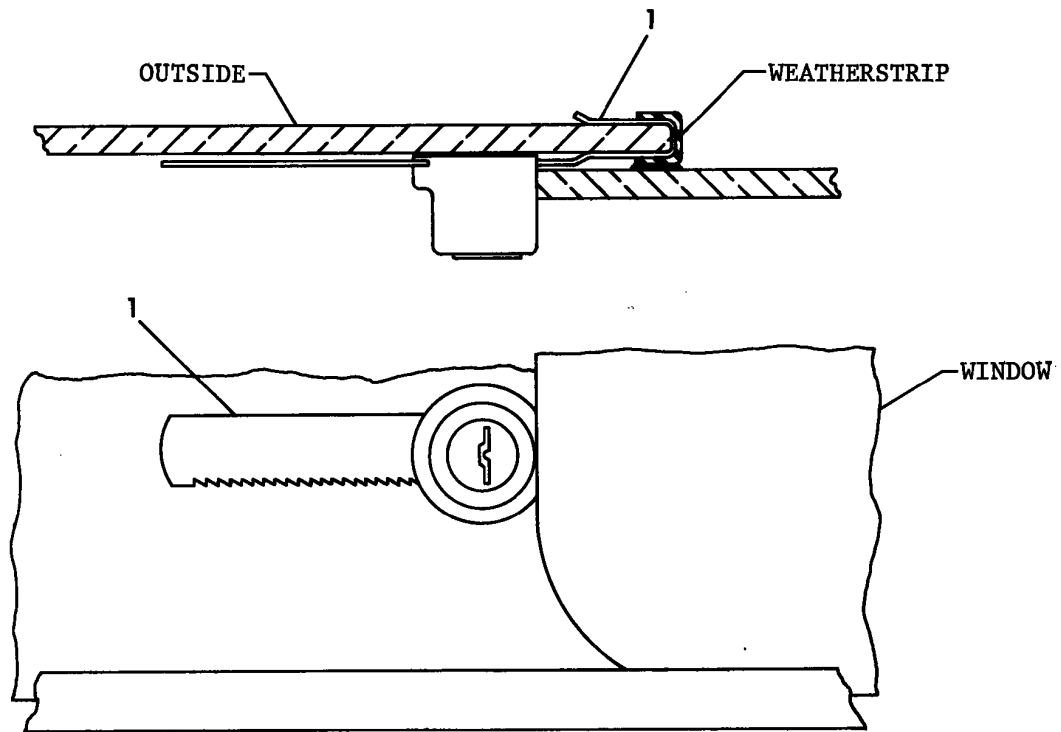
**2160400077**

Revision: **D**

Item	FN	Part	Qty	Description
1	#	7576000418	1	MOTOR, WIPER
2	#	7576000017	1	KIT, ADAPTER
3	#	7033000041	1	ARM, WIPER - 20"
4		6083000005	1	BLADE, WIPER
5		7810000866	1	KIT, PIVOT SHAFT
6		7601000044	1	LINK, CONNECTING
7		7033000081	1	ARM, CRANK
8	#	7872000158	1	SWITCH, 24 VOLT
9		7105140650	2	CAP SCREW, 1/4" -28 N.F. X 3/4" GRADE 5
10		7950140050	2	LOCKWASHER, 1/4" I.D.

# SERVICED AS AN ASSEMBLY ONLY

# Manitowoc Crane Group



# Manitowoc Crane Group

Description

LOCK INSTALLATION - WINDOW (NOT AVAILABLE AS ASSEMBLY)

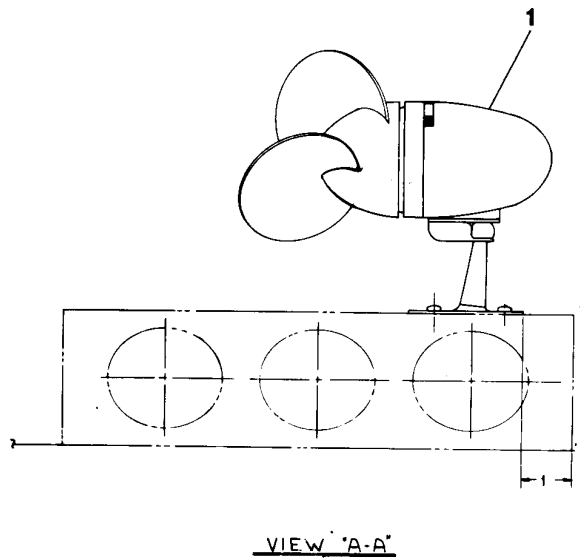
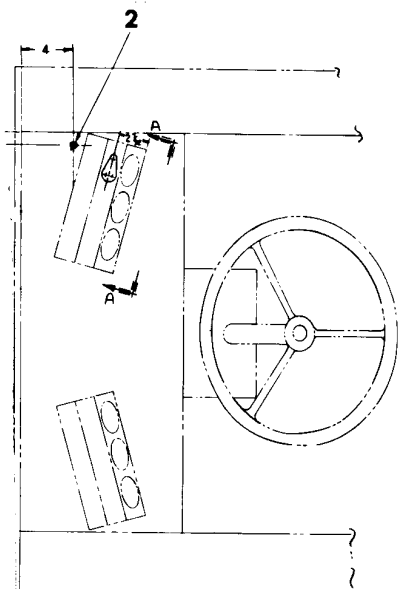
Assembly No.

6585000063

Revision: #

Item	FN	Part	Qty	Description
1		7585000019	1	LOCK, SLIDING GLASS

# Manitowoc Crane Group



# Manitowoc Crane Group

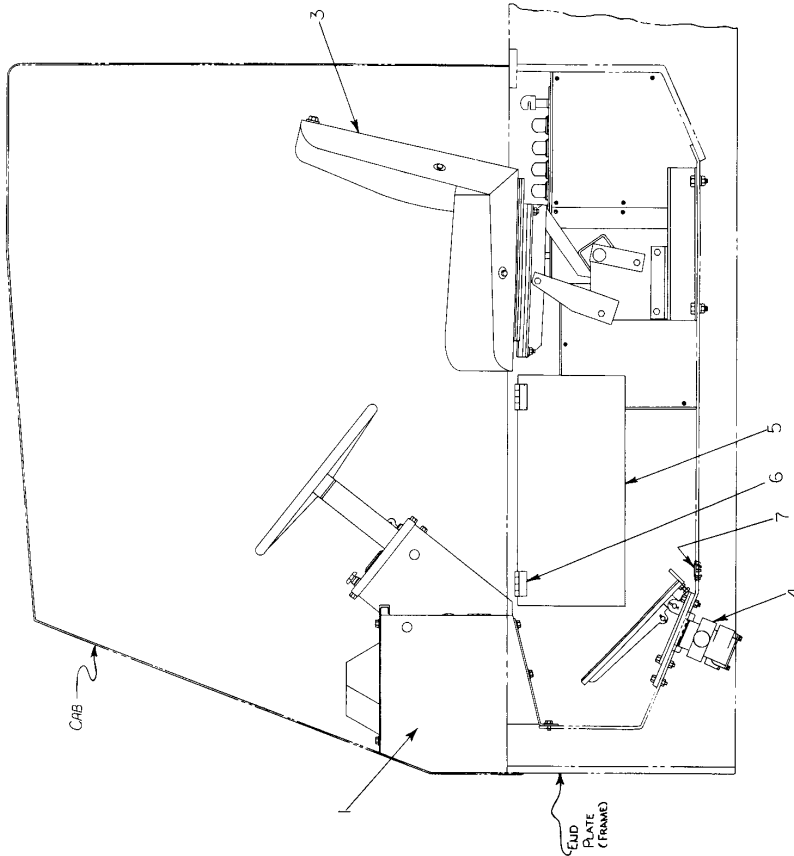
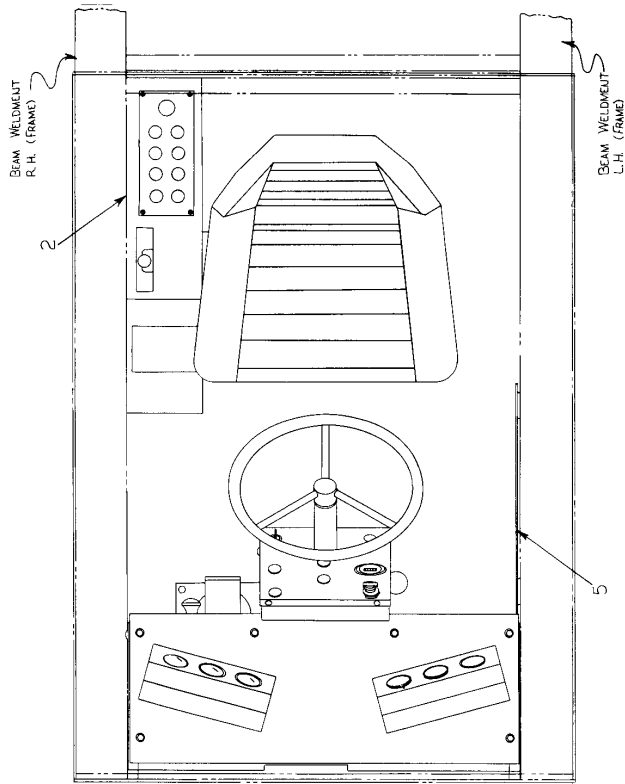
Description  
**DEFROSTER INSTALLATION - WINDSHIELD**  
**(NOT AVAILABLE AS ASSEMBLY)**

Assembly No.  
**638000006**  
Revision: #

Item	FN	Part	Qty	Description
1	#	7425000001	1	FAN, RUBBER BLADED AUTO
2		7506000009	1	GROMMET

# SERVICED AS AN ASSEMBLY ONLY

# Manitowoc Crane Group



0071

2160400071

(SHEET 1 OF 1)

36XXXe 46



# Manitowoc Crane Group

Description  
**CONSOLE INSTALLATION - FRONT**

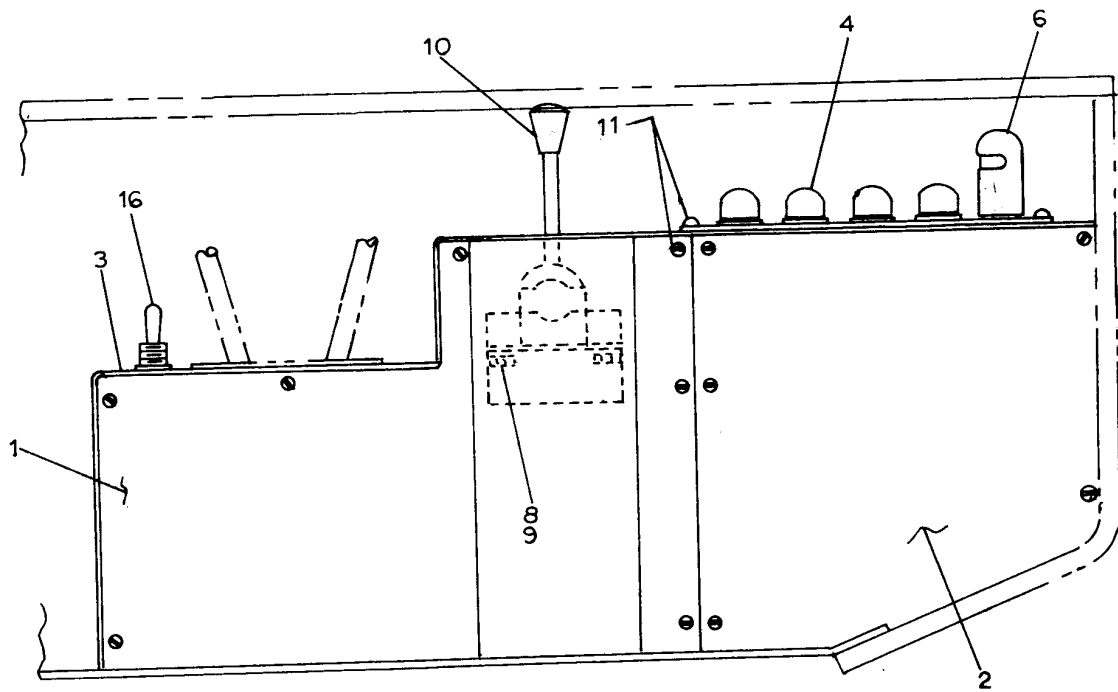
Assembly No.  
**2160400071**  
 Revision:

Item	FN	Part	Qty	Description
1		2160400096	1	CONSOLE, FRONT
2	+	2160400060	1	R.H. CONTROL CONSOLE
3	+	2160400076	1	SEAT INSTALLATION
4	%	2160600175	1	BRAKE & ACCERLERATOR - PEDAL INSTALLATION
5		6705002065	1	PLATE, MOUNTING
6		6519000036	2	HINGE
7		7242000014	1	BUTTON, PLUG

+ SEE FURTHER BREAKDOWN THIS GROUP

% SEE NOTE AT END OF LIST

# Manitowoc Crane Group



# Manitowoc Crane Group

Description  
**R.H. CONTROL CONSOLE**

Assembly No.  
**2160400060**  
 Revision:

Item	FN	Part	Qty	Description
1		2160400061	1	R.H. CONSOLE FRONT PANEL WELD
2		4160400113	1	PANEL, REAR
3		2160400059	1	R.H. CONSOLE WELD
4	#	7872000066	8	SWITCH, PUSH BUTTON
6	#	7581000117	1	LIGHT, DASH PANEL
		9581100034	1	INCLUDES THE FOLLOWING PARTS BULB
8		7115160650	2	CAP SCREW, 3/8" - 16 N.C. X 3/4" GRADE 5
9		7950160050	2	LOCKWASHER, 3/8" I.D.
10	+	7926000198	1	VALVE ASSEMBLY - BRAKE
11		7790100872	16	SCREW, PAN HEAD TAPPING 3/16" - 24 N.C. X 1/2"
16	#	7872000164	1	SWITCH, PUSH PULL

# SERVICED AS AN ASSEMBLY ONLY

+ SEE FURTHER BREAKDOWN THIS GROUP

# ***Manitowoc Crane Group***

Notes

---

# Manitowoc Crane Group

Description

**VALVE ASSEMBLY - BRAKE**

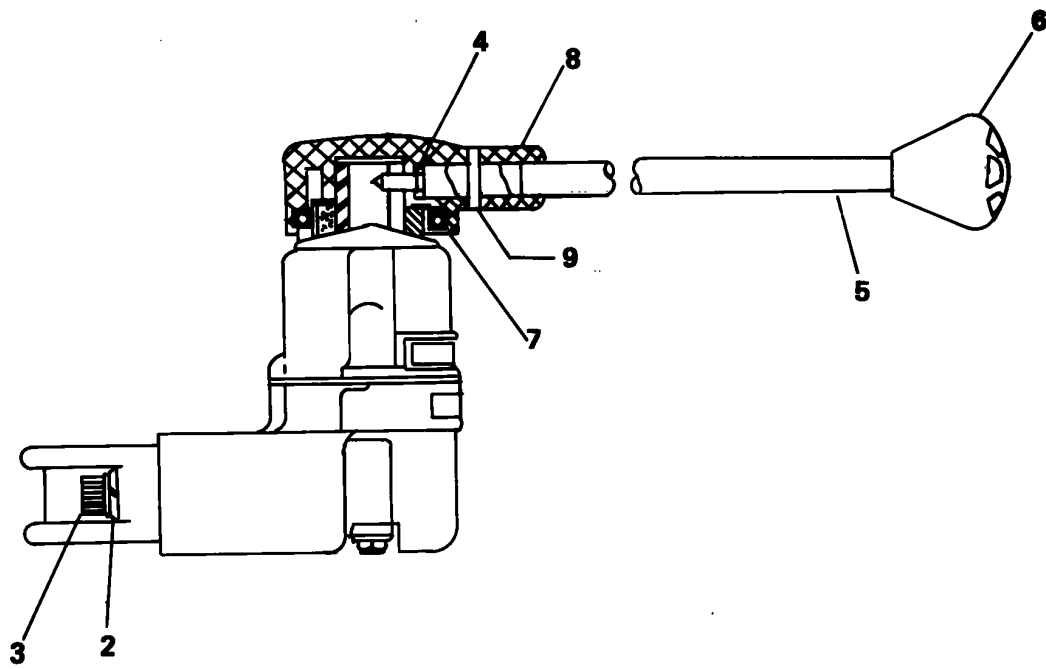
Assembly No.

**7926000198**

Revision:

Item	FN	Part	Qty	Description
1		<b>7926000198</b>	1	VALVE ASSEMBLY - BRAKE
2		<b>7926000198</b>	1	VALVE ASSEMBLY - BRAKE

# Manitowoc Crane Group



# Manitowoc Crane Group

Description

**VALVE ASSEMBLY - BRAKE**

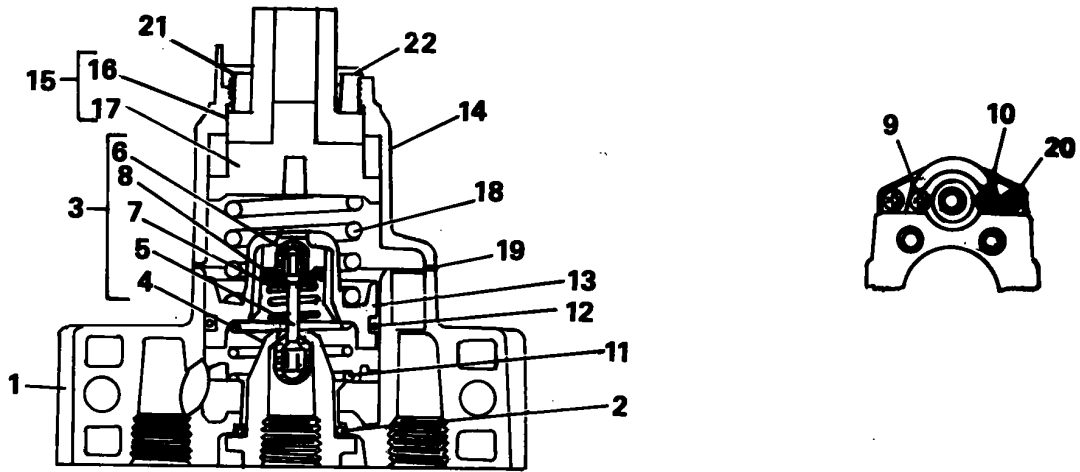
Assembly No.

**7926000198**

Revision:

Item	FN	Part	Qty	Description
2		9926101488	2	LOCKWASHER
3		9926101489	2	SCREW
4		9926101490	1	GROMMET
5		9926101491	1	VALVE, STEM
6		9926101492	1	KNOB
7		9372100331	1	GROMMET
8		9926101493	1	HEAD
9		9926101494	1	PIN

# Manitowoc Crane Group





# Manitowoc Crane Group

Description

**VALVE ASSEMBLY - BRAKE**

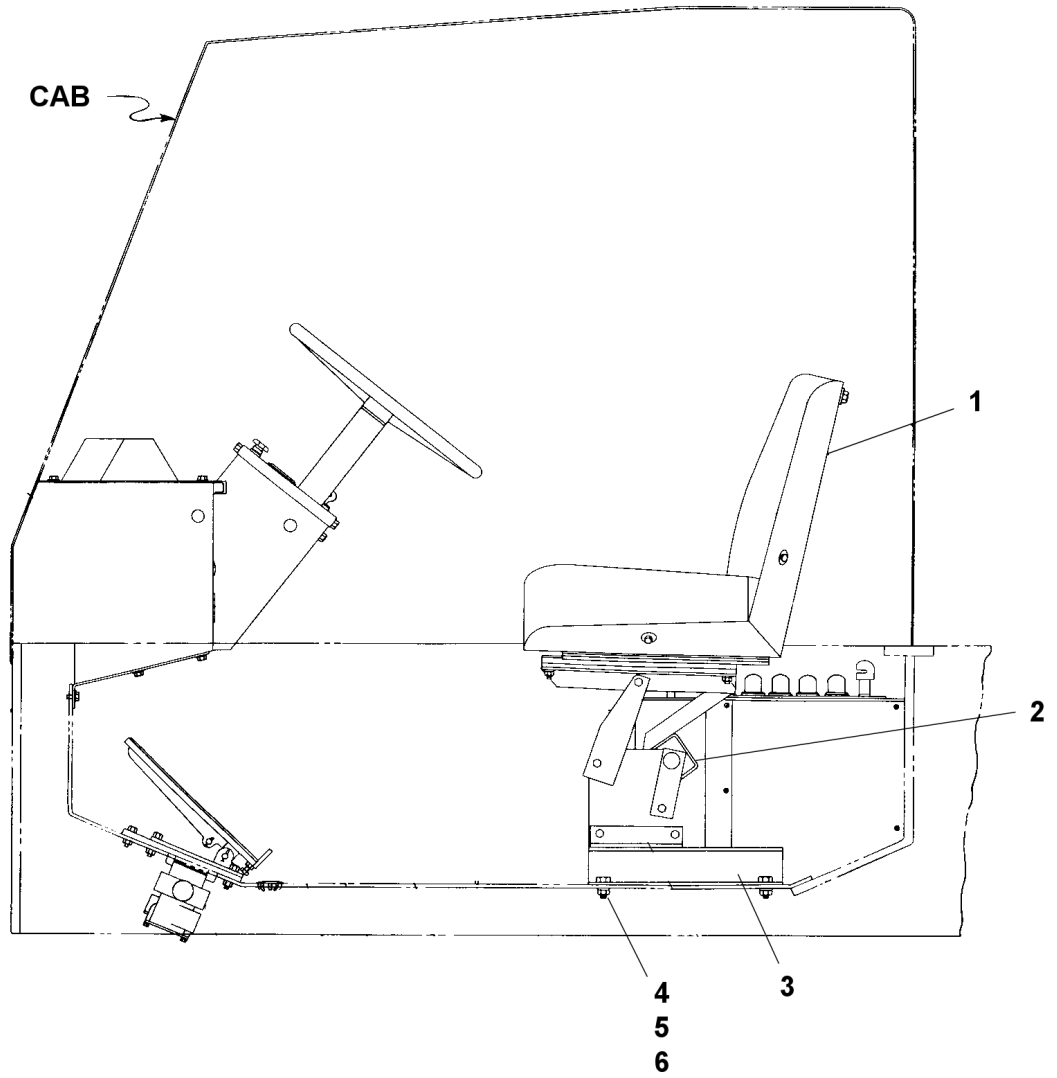
Assembly No.

**7926000198**

Revision:

Item	FN	Part	Qty	Description
1		9926101495	1	BODY
2		9926101496	1	O-RING
3		9926101497	1	VALVE
4		9926101498	1	VALVE SEAT
5		9926101499	1	VALVE STEM
6		9926101500	2	VALVE, INLET AND EXHAUST
7		9926101501	1	VALVE SPRING
8		9926101502	1	VALVE GUIDE
9		9926101503	2	SCREW
10		9926101389	2	WASHER,
11		9926101504	1	SPRING
12		9926101505	1	O-RING, PISTON
13		9926101506	1	PISTON
14		9926101507	1	COVER
15		9926101508	1	CAM FOLLOWER
16		9926101509	1	FOLLOWER
17		9926101510	1	CAM
18		9926101511	1	SPRING
19		9926101512	1	GASKET
20		9926101513	2	SCREW
21		9926101514	1	RING
22		9926101515	1	LOCKWASHER

# Manitowoc Crane Group



# Manitowoc Crane Group

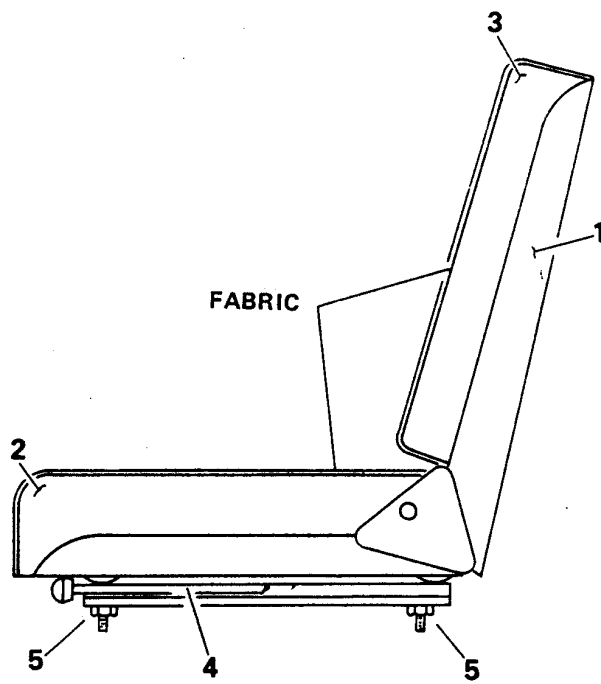
Description  
SEAT INSTALLATION

Assembly No.  
**2160400076**  
Revision: **C**

Item	FN	Part	Qty	Description
1	+	7798000046	1	SEAT ASSEMBLY
2		7798000044	1	SUSPENSION, SEAT
		9798100223	1	INCLUDES THE FOLLOWING PARTS
		9798100224	1	BOLT, WING
3		4164400022	1	RING PIN & COTT
4		7115150850	1	ANGLE, MOUNTING
5		7660150000	4	CAP SCREW, 5/16" - 18 N.C. X 1" GRADE 5
6		7950150050	4	NUT, HEX 5/16" - 18 N.C.
			4	LOCKWASHER, 5/16" I.D.

+ SEE FURTHER BREAKDOWN THIS GROUP

# Manitowoc Crane Group



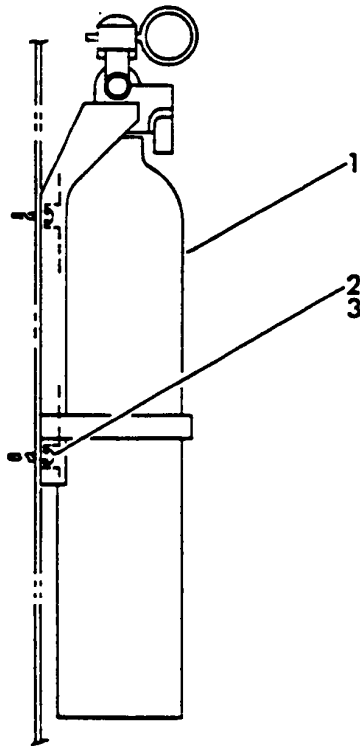
# Manitowoc Crane Group

Description  
**SEAT ASSEMBLY**

Assembly No.  
**7798000046**  
 Revision:

Item	FN	Part	Qty	Description
1		9798100019	1	SEAT, SHELL
2		9798100017	1	CUSHION, SEAT
3		9798100024	1	CUSHION, BACK
4		9798100020	1	TRACK, CONTROL INCLUDES HARDWARE
5		9798100021	1	TRACK, FREE INCLUDES HARDWARE

# Manitowoc Crane Group



# Manitowoc Crane Group

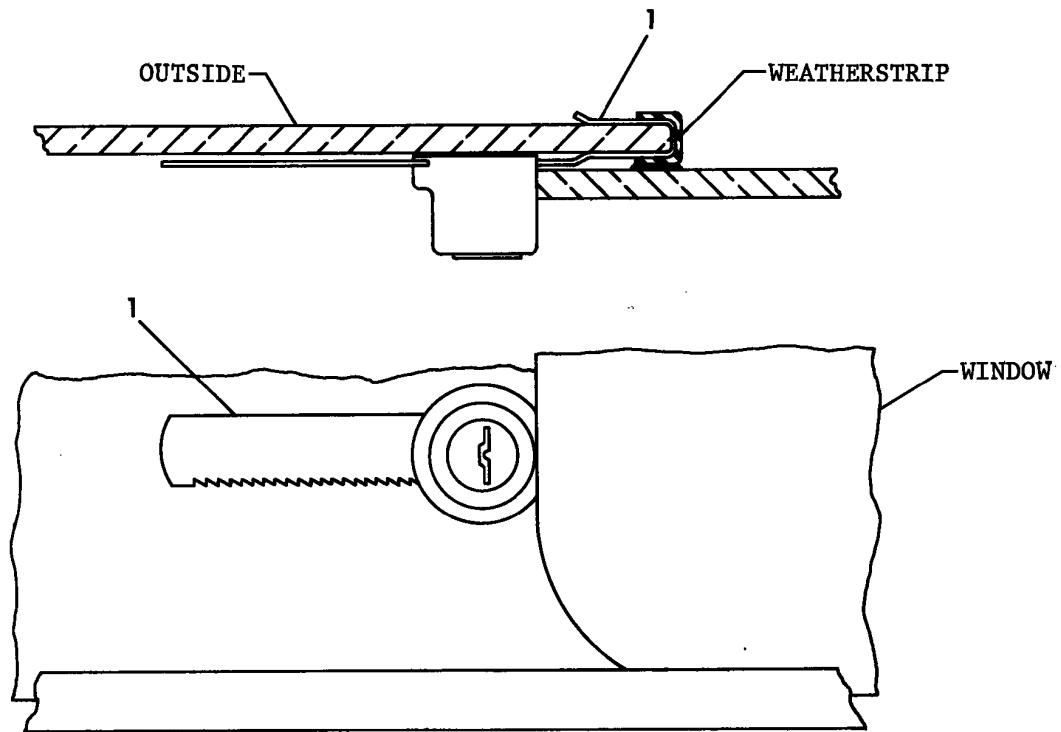
Description  
**EXTINGUISHER INSTALLATION - FIRE**

Assembly No.  
**6348000101**  
 Revision: **C**

Item	FN	Part	Qty	Description
1	#	7348000667	1	EXTINGUISHER, FIRE
	#	7348000669	1	INCLUDES THE FOLLOWING PARTS
				BRACKET
2		7790140873	2	SCREW, SELF-TAPPING
				1/4" - 20 N.C. X 1/2"
3		7950140050	2	LOCKWASHER, 1/4" I.D.

# SERVICED AS AN ASSEMBLY ONLY

# Manitowoc Crane Group





# Manitowoc Crane Group

Description

LOCK INSTALLATION - WINDOW (NOT AVAILABLE AS ASSEMBLY)

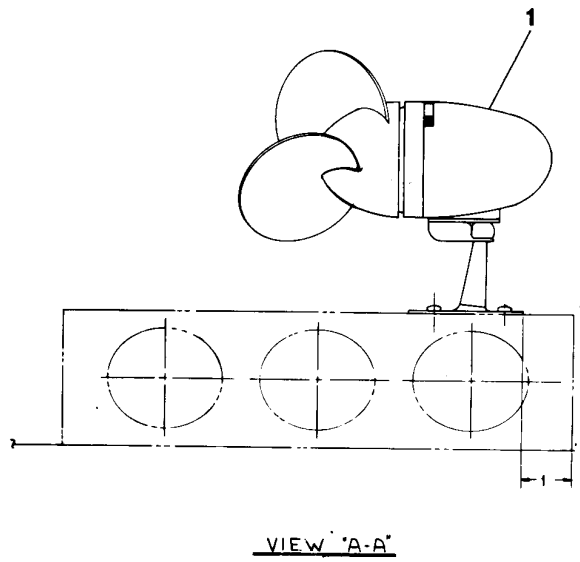
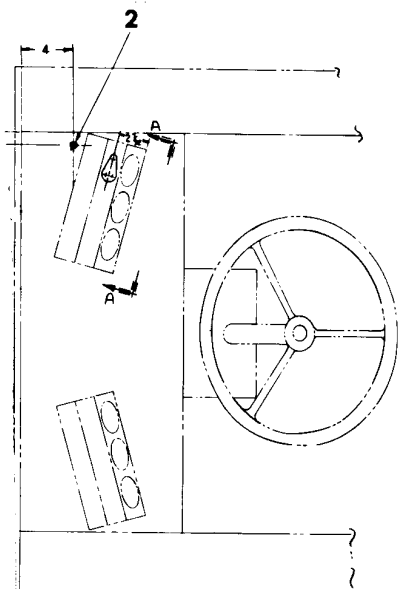
Assembly No.

6585000063

Revision: #

Item	FN	Part	Qty	Description
1		7585000019	1	LOCK, SLIDING GLASS

# Manitowoc Crane Group



# Manitowoc Crane Group

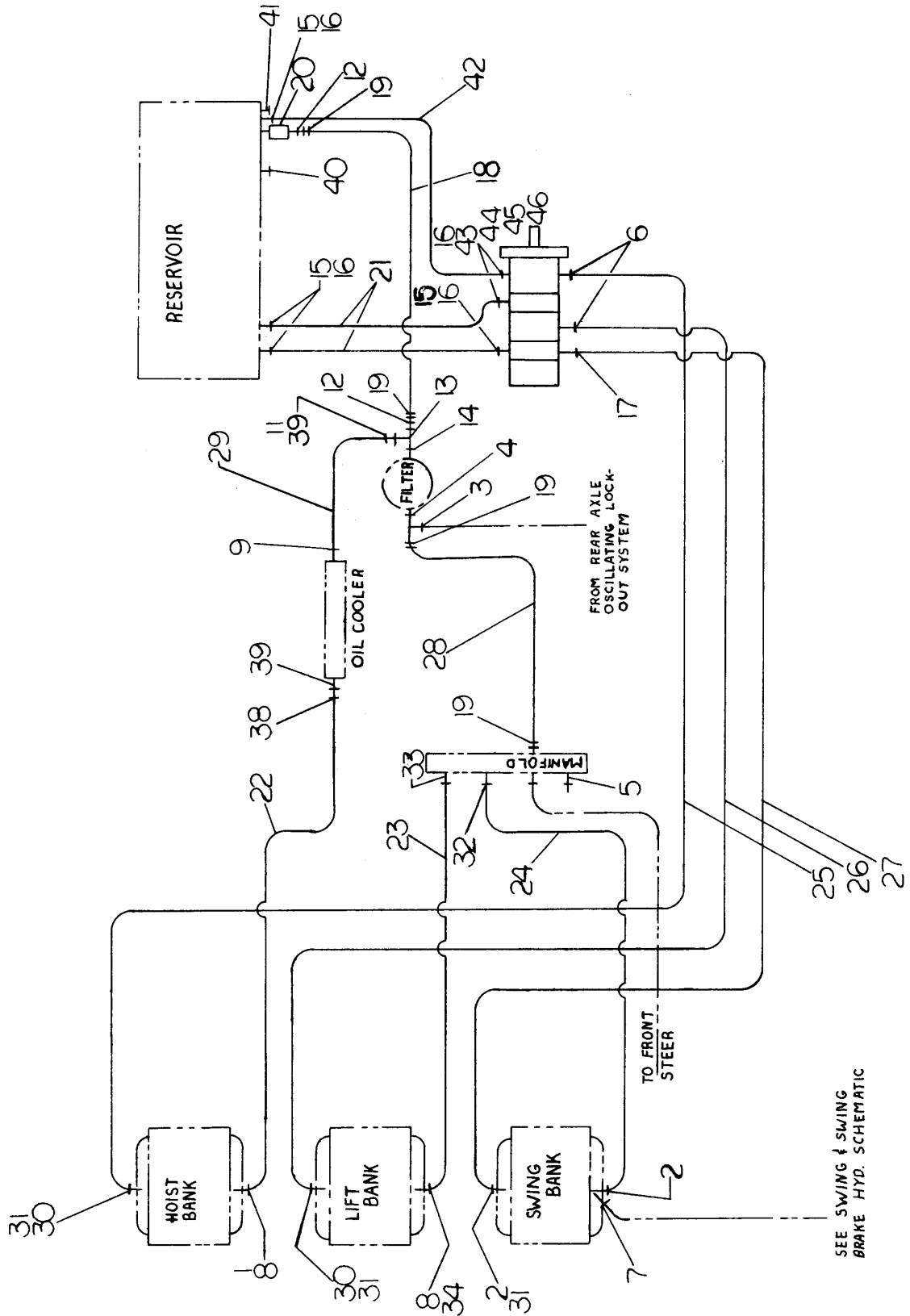
Description  
**DEFROSTER INSTALLATION - WINDSHIELD**  
**(NOT AVAILABLE AS ASSEMBLY)**

Assembly No.  
**638000006**  
Revision: #

Item	FN	Part	Qty	Description
1	#	7425000001	1	FAN, RUBBER BLADED AUTO
2		7506000009	1	GROMMET

# SERVICED AS AN ASSEMBLY ONLY

# Manitowoc Crane Group



# Manitowoc Crane Group

Description  
HYDRAULIC LINES INSTALLATION

Assembly No.  
**2160600195**  
Revision: L

Item	FN	Part	Qty	Description
1		7445162009	1	ADAPTER, SWIVEL
2		6406000068	2	ELBOW, 45 DEGREE MODIFIED INCLUDES THE FOLLOWING PARTS
		7755912002	1	O-RING
3		7445060604	1	ADAPTER, SWIVEL
4		6649000014	1	WELD, NIPPLE
5		7444060011	1	PLUG, PIPE 3/4"
6		7445161609	2	ADAPTER, 45 DEGREE SWIVEL
7		7445040409	1	ADAPTER, 45 DEGREE SWIVEL
8		7013000096	2	ADAPTER, FEMALE INCLUDES THE FOLLOWING PARTS
		7755916000	1	O-RING
9		7445202009	1	SWIVEL ADAPTER
11		7444121054	1	BUSHING
12		7013000028	2	ADAPTER
13		7888000017	1	TEE
14		6650120145	1	NIPPLE, CLOSE
15		7450000016	4	FLANGE, SPLIT
16		7755225000	6	O-RING
17		7445121209	1	ELBOW, 45 DEGREE MALE
18		7544802690	1	HOSE ASSY 1 1/2" I.D.
19		7300000020	8	CLAMP, 2 1/2" MAX HOSE
20	#	7926000045	1	VALVE, CHECK
21		7543000306	2	HOSE ASSY
22		7542620410	1	HOSE ASSY 1 1/8" I.D. X 204"
23		7542603610	1	HOSE ASSY 1 1/8" I.D. X 36"
24		7542502207	1	HOSE ASSY 7/8" I.D. X 22"
25		7545612080	1	HOSE ASSY 1" X 10'
26		7545613280	1	HOSE ASSY 1" X 132"
27		7545510820	1	HOSE ASSY 3/4" I.D. X 108"

# SERVICED AS AN ASSEMBLY ONLY

# Manitowoc Crane Group

Description  
**HYDRAULIC LINES INSTALLATION**

Assembly No.  
**2160600195**  
 Revision: **L**

Item	FN	Part	Qty	Description
28		7544800690	1	HOSE ASSY 1 1/2" I.D. X 6"
29		7542614410	1	HOSE ASSY 1 1/8" I.D. X 144"
30		6406000066	2	ELBOW INCLUDES THE FOLLOWING PARTS
		7755916000	1	O-RING
31		7444020016	3	PLUG, PIPE 1/4" N.P.T.
32		7445161201	1	ADAPTER, SWIVEL (REQUIRED WITH HENDRICKSON CARRIER)
33		7445162001	1	ADAPTER, SWIVEL
34		7445162004	1	ADAPTER, 90 DEGREE SWIVEL
38		7445202004	1	ADAPTER, SWIVEL
39		7445202001	2	ADAPTER, SWIVEL
40		7444030010	1	PLUG, PIPE
41		7444080021	1	PLUG, PIPE 1" N.P.T.
42		6543000675	1	HOSE ASSY
43		6450000104	2	FLANGE, SPLIT
44		7950180050	8	LOCK WASHER, 1/2" I.D.
45		7115181050	8	CAP SCREW, 1/2" - 13 N.C. X 1 1/4" GRADE 5
46	#	7450000102	2	FLANGE, SPLIT

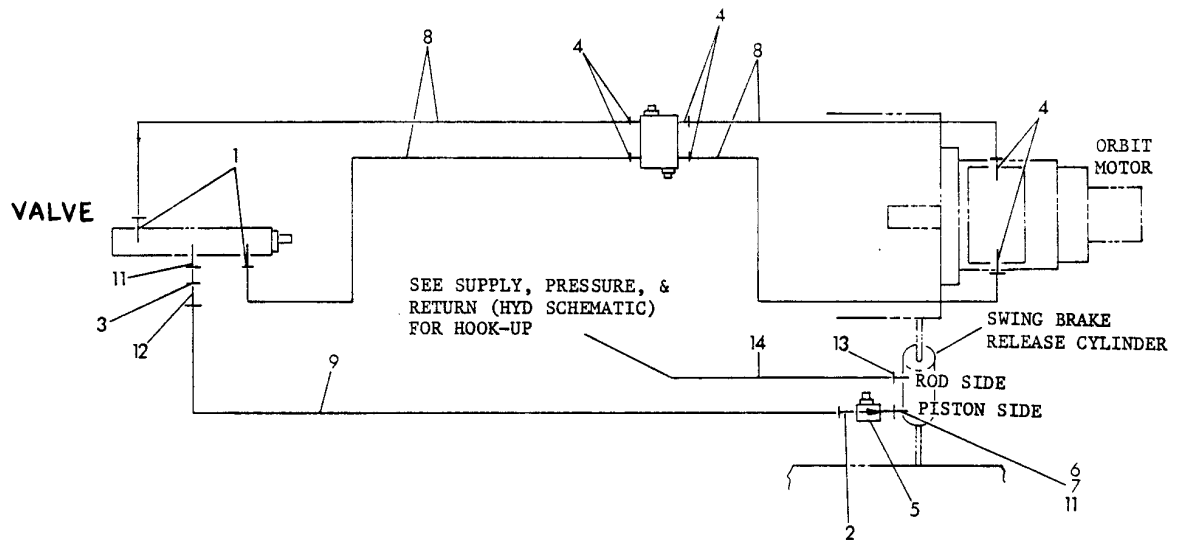
# SERVICED AS AN ASSEMBLY ONLY

# ***Manitowoc Crane Group***

Notes

---

# Manitowoc Crane Group





# Manitowoc Crane Group

Description

**HYDRAULIC LINES INSTALLATION - SWING AND SWING BRAKE**

Assembly No.

**2160600196**

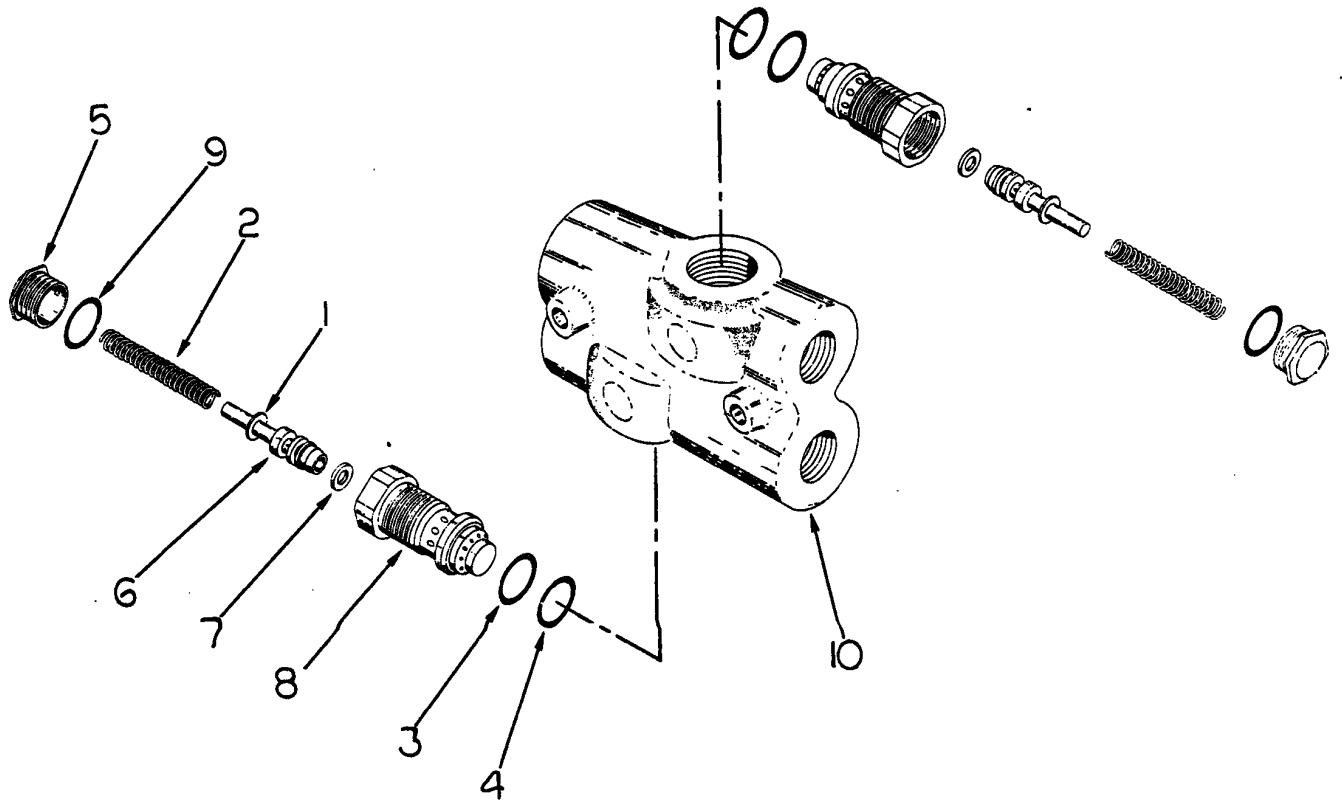
Revision: **L**

Item	FN	Part	Qty	Description
1		7445100811	2	ADAPTER INCLUDES THE FOLLOWING PARTS
		7755910002	1	O-RING
2		7445020401	1	ADAPTER, STRAIGHT SWIVEL
3		7444000140	1	COUPLING
4		7445080801	6	ADAPTER, STRAIGHT
5	#	7926000472	1	VALVE, CONTROL
6		7444010176	1	ELBOW
7		7444020156	1	BUSHING, REDUCER
8		7545302420	4	HOSE ASSY, 1/2" X 24"
9		7545103020	1	HOSE ASSY 1/4" I.D. X 30"
10	+=	7926000489	1	VALVE ASSEMBLY - RELIEF
10	+=	7926000202	1	VALVE ASSEMBLY - RELIEF
11		7445020249	2	NIPPLE, HIGH PRESSURE
12		7445020404	1	ADAPTER, 90 DEGREE SWIVEL
13		7445040401	1	ADAPTER, STRAIGHT SWIVEL
14		7542003603	1	HOSE ASSY 3/16" I.D. X 36"

# SERVICED AS AN ASSEMBLY ONLY  
= REFER TO MCI FOR APPLICABLE NUMBER

+ SEE FURTHER BREAKDOWN THIS GROUP

# Manitowoc Crane Group



7926000202

(SHEET 1 OF 1)

36XXXe 72

# Manitowoc Crane Group

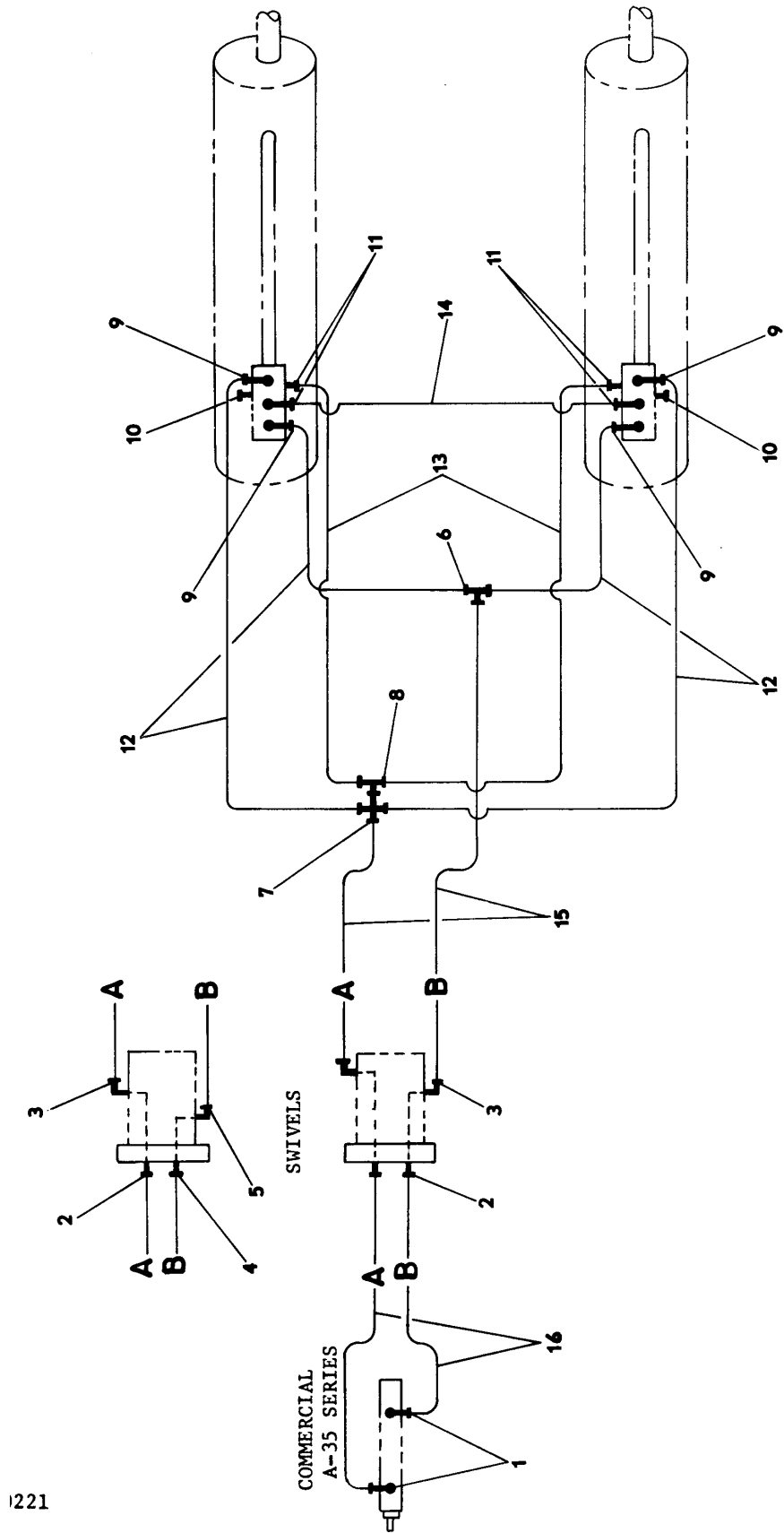
Description  
**VALVE ASSEMBLY - RELIEF**

Assembly No.  
**7926000202**  
 Revision:

Item	FN	Part	Qty	Description
1		9926101008	0	SHIM,
1		9926101009	0	SHIM,
1		9926101010	0	SHIM,
2		9926101006	2	SPRING
3		9926101015	2	SEAL, O-RING
4		9926101129	2	SEAL, O-RING-INNER
5		9926101005	2	CAP, RELIEF
6	%	9926101007	2	POPPET
7		9926101011	2	O-RING
8	%	9926101017	2	BODY, RELIEF
9		9926100984	2	SEAL, O-RING
10		9926101130	1	HOUSING, VALVE

% SEE NOTE AT END OF LIST

# Manitowoc Crane Group



1221

# Manitowoc Crane Group

Description  
HYDRAULIC LINES INSTALL - LIFT

Assembly No.  
**2160600221**  
Revision:

Item	FN	Part	Qty	Description
1		7445120811	2	ADAPTER, 90 DEGREE SWIVEL INCLUDES THE FOLLOWING PARTS
		7755912002	1	O-RING
2		7445080801	2	ADAPTER, STRAIGHT
3		7445080804	1	ELBOW, 90 DEGREE
4		7445120801	1	ADAPTER, STRAIGHT
5		7445120804	1	ADAPTER, 90 DEGREE SWIVEL
6		7445080613	1	SWIVEL ADAPTER, UNION - 90 TEE
7		4158600057	1	TEE, MODIFIED IMPERIAL EASTMAN
8		7445040412	1	ADAPTER, SWIVEL
9		7445080609	4	ADAPTER, SWIVEL
10		7926000251	2	VALVE
11		7445040409	4	ADAPTER, 45 DEGREE SWIVEL
12		7545201020	4	HOSE ASSY, 3/8" X 10"
13		7545101220	2	HOSE ASSY
14		7545102420	1	HOSE ASSY 1/4" I.D. X 24"
15		7545303620	2	HOSE ASSY 1/2" I.D. X 36" LONG
16		7545307220	2	HOSE ASSY 1/2" I.D. X 72" LONG



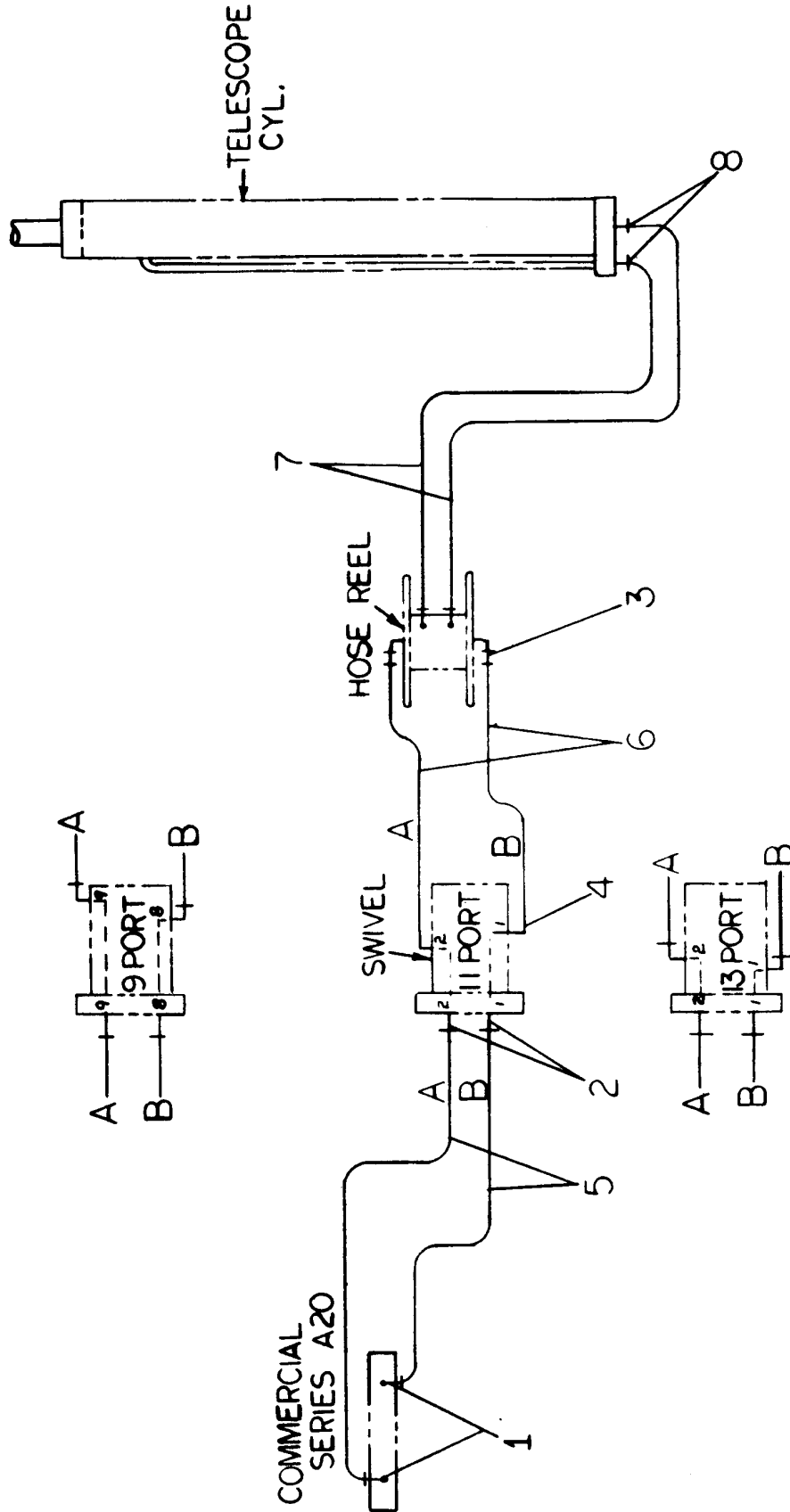
# Manitowoc Crane Group

Description  
**HYDRAULIC LINES INSTALLATION - MID TELESCOPE**

Assembly No.  
**2160600019**  
 Revision:

Item	FN	Part	Qty	Description
1		7445120811	2	ADAPTER, 90 DEGREE SWIVEL
		7755912002	1	INCLUDES THE FOLLOWING PARTS O-RING
2		7445080809	1	ADAPTER, SWIVEL
3		7445080801	3	ADAPTER, STRAIGHT
5		7545308420	4	HOSE ASSY
6		7445080804	2	ELBOW, 90 DEGREE

# Manitowoc Crane Group



020

2160600020

(SHEET 1 OF 1)

36XXXe 78



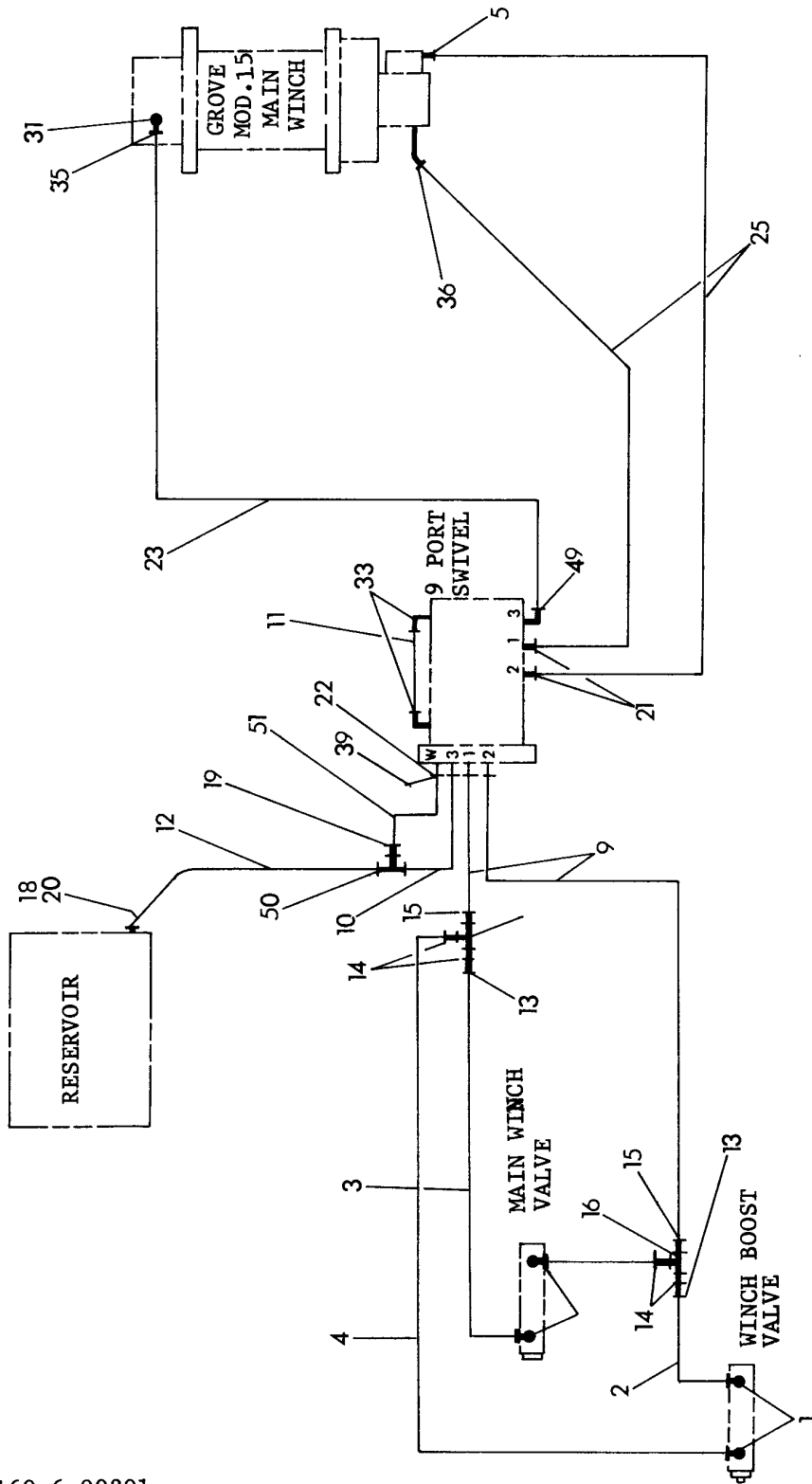
# Manitowoc Crane Group

Description  
**HYDRAULIC LINES INSTALLATION - FLY TELESCOPE**

Assembly No.  
**2160600020**  
 Revision:

Item	FN	Part	Qty	Description
1		7445100811	2	ADAPTER INCLUDES THE FOLLOWING PARTS
		7755910002	1	O-RING
2		7445080801	2	ADAPTER, STRAIGHT
3		7445080601	2	ADAPTER, STRAIGHT SWIVEL
4		7445080604	2	ADAPTER, SWIVEL
5		7545307220	2	HOSE ASSY 1/2" I.D. X 72" LONG
6		7545206020	2	HOSE ASSY 3/8" I.D. X 60"
8		7445060601	2	ADAPTER, SWIVEL

# Manitowoc Crane Group



# Manitowoc Crane Group

Description

**HYDRAULIC LINES INSTALLATION- MAIN HOIST GROVE MODEL 15**

Assembly No.

**2160600201**

Revision:

Item	FN	Part	Qty	Description
1		7445121211	4	ADAPTER, 45 DEGREE SWIVEL
		7755912002	1	INCLUDES THE FOLLOWING PARTS O-RING
2		7545504280	1	HOSE ASSY 3/4" I.D. X 42"
3		7545501280	2	HOSE ASSY 3/4" I.D. X 12"
4		7545504880	1	HOSE ASSY 3/4" I.D. X 48" LONG
5		7445162008	1	ADAPTER, SWIVEL 7755916000 O-RING
9		7545704830	2	HOSE ASSY 1 1/4" I.D.
10		7542301206	1	HOSE ASSY
11		7542002403	1	HOSE ASSY 3/16" I.D. X 24"
12		7542304806	1	HOSE ASSY 1/2" I.D. X 48" LONG
13		7445121209	2	ELBOW, 45 DEGREE MALE
14		7445161250	4	BUSHING, REDUCER
15		7445162001	4	ADAPTER, SWIVEL
16		7445161655	2	TEE
18		7445080809	1	ADAPTER, SWIVEL
19		7444040256	1	BUSHING, REDUCER
20		7444080456	1	BUSHING, HEX REDUCING
21		7445162004	2	ADAPTER, 90 DEGREE SWIVEL
22		7445040401	1	ADAPTER, STRAIGHT SWIVEL
23		7542312006	1	HOSE ASSY 1/2" X 120"
25		7545712030	2	HOSE ASSY 1 1/4" I.D. X 120"
31		7445080417	1	ADAPTER, REDUCING
33		7445040404	2	ADAPTER, 90 DEGREE SWIVEL
35		7445080804	1	ELBOW, 90 DEGREE
36		7445202009	1	SWIVEL ADAPTER
39		7445120801	1	ADAPTER, STRAIGHT
49		7445120809	1	ADAPTER, 45 DEGREE SWIVEL

# Manitowoc Crane Group

Description

**HYDRAULIC LINES INSTALLATION- MAIN HOIST GROVE MODEL 15**

Assembly No.

**2160600201**

Revision:

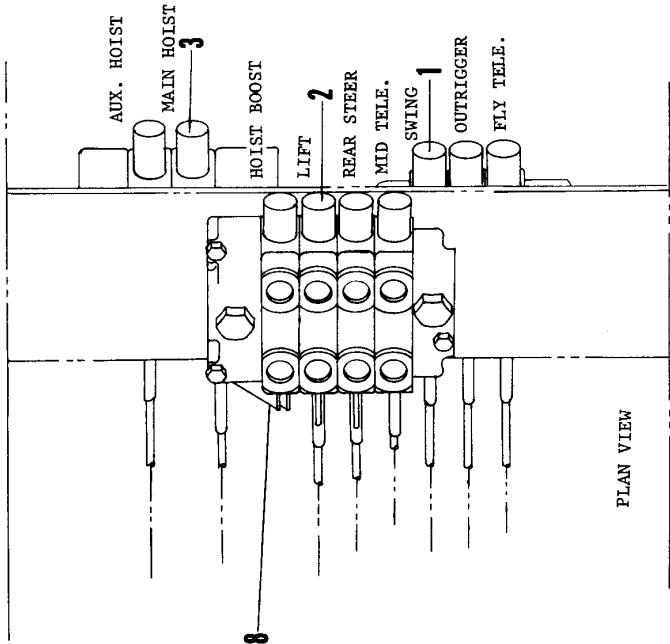
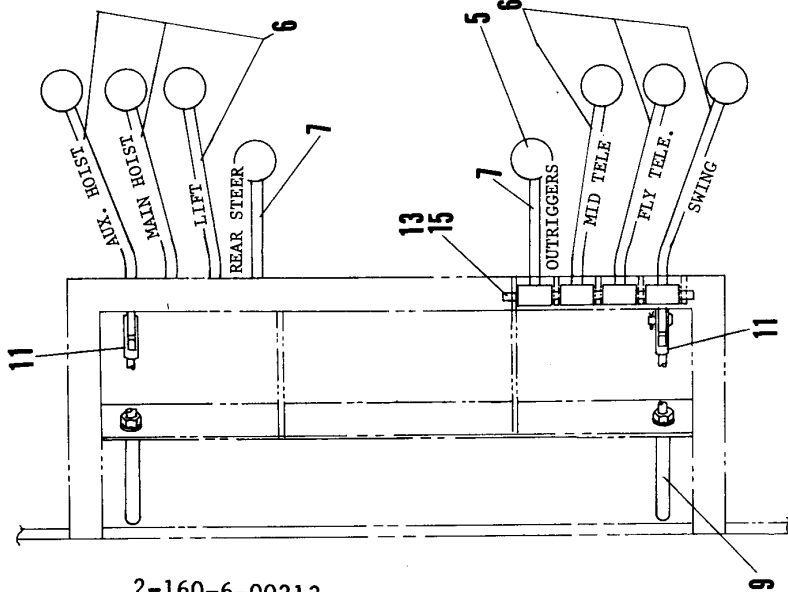
Item	FN	Part	Qty	Description
50		7445080813	1	ADAPTER, 90 DEGREE SWIVEL
51		7542001203	1	HOSE ASSY 3/16" I.D. X 12"

# ***Manitowoc Crane Group***

Notes

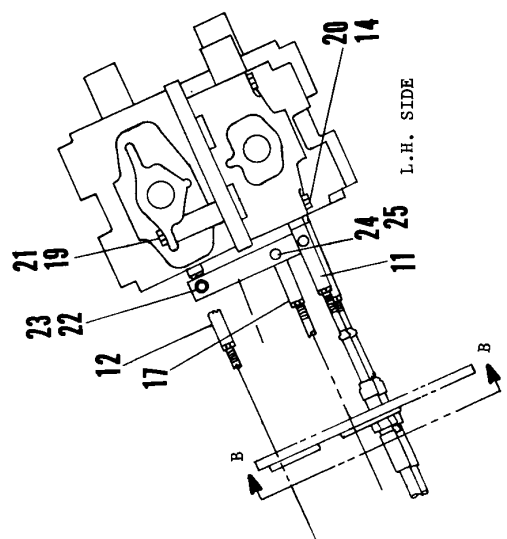
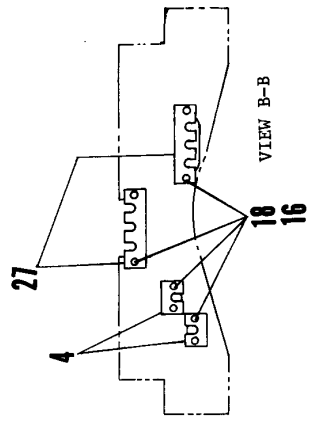
---

# Manitowoc Crane Group

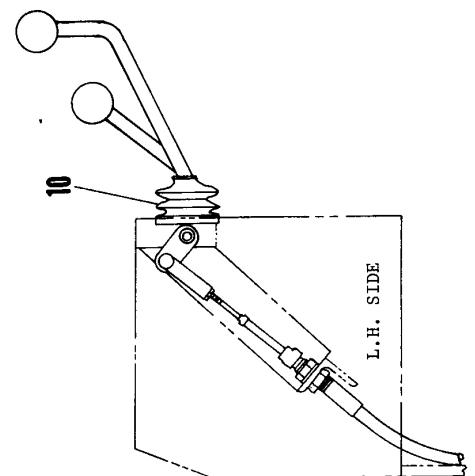


PLAN VIEW

ITEM NOT SHOWN - #26



L.H. SIDE



L.H. SIDE

2-160-6-00213

# Manitowoc Crane Group

Description

**LINKAGE INSTALLATION - CONTROL VALVE AND**

Assembly No.

**2160600213**

Revision:

Item	FN	Part	Qty	Description
1	+	6926000288	1	VALVE BANK ASSEMBLY- THREE SECTION A-20 SERIES
2	+	6926000245	1	VALVE BANK ASSEMBLY - FOUR SECTION A-35 SERIES
3	+	6926000260	1	VALVE BANK ASSEMBLY - ONE SECTION A-35 SERIES
4		6705005019	2	PLATE
5		7511000003	7	KNOB
6		2164600035	5	HANDLE, CONTROL
7		2164600032	2	HANDLE, CONTROL
8		4164600007	2	BAR, CONTROL LINKAGE
9		7246000428	7	CABLE, CONTROL
10		7172000006	7	BOOT, RUBBER CONTROL ROD
11		7308000102	10	CLEVIS
				INCLUDES THE FOLLOWING PARTS
		7690021610	1	PIN, #2 X 1" LONG COTTER
		7690162000	1	PIN, 3/8 DIA. X 1 1/4" CLEVIS
12		7308000103	3	YOKE ASSEMBLY
				7-690-182400 PIN, CLEVIS
				7-690-052010 PIN, COTTER
				INCLUDES THE FOLLOWING PARTS
		7690182400	1	PIN, CLEVIS
		7690052010	1	PIN, COTTER
13		6570127233	2	ROD
14		NPN	3	NO PART NUMBER
15		7753000326	3	RING, SELF-LOCKING
16		NPN	8	NO PART NUMBER
17		6768000560	1	END,ROD
18		NPN	8	NO PART NUMBER
19		NPN	6	NO PART NUMBER
20		NPN	3	NO PART NUMBER
21		NPN	6	NO PART NUMBER
22		7690182400	2	PIN, CLEVIS
23		NPN	2	NO PART NUMBER
24		7690162000	1	PIN, 3/8 DIA. X 1 1/4" CLEVIS
25		NPN	1	NO PART NUMBER
26		7709000051	1	PLUG

+ SEE FURTHER BREAKDOWN THIS GROUP

# Manitowoc Crane Group

Description  
LINKAGE INSTALLATION - CONTROL VALVE AND

Assembly No.  
**2160600213**  
Revision:

Item	FN	Part	Qty	Description
27		4160600097	1	PLATE

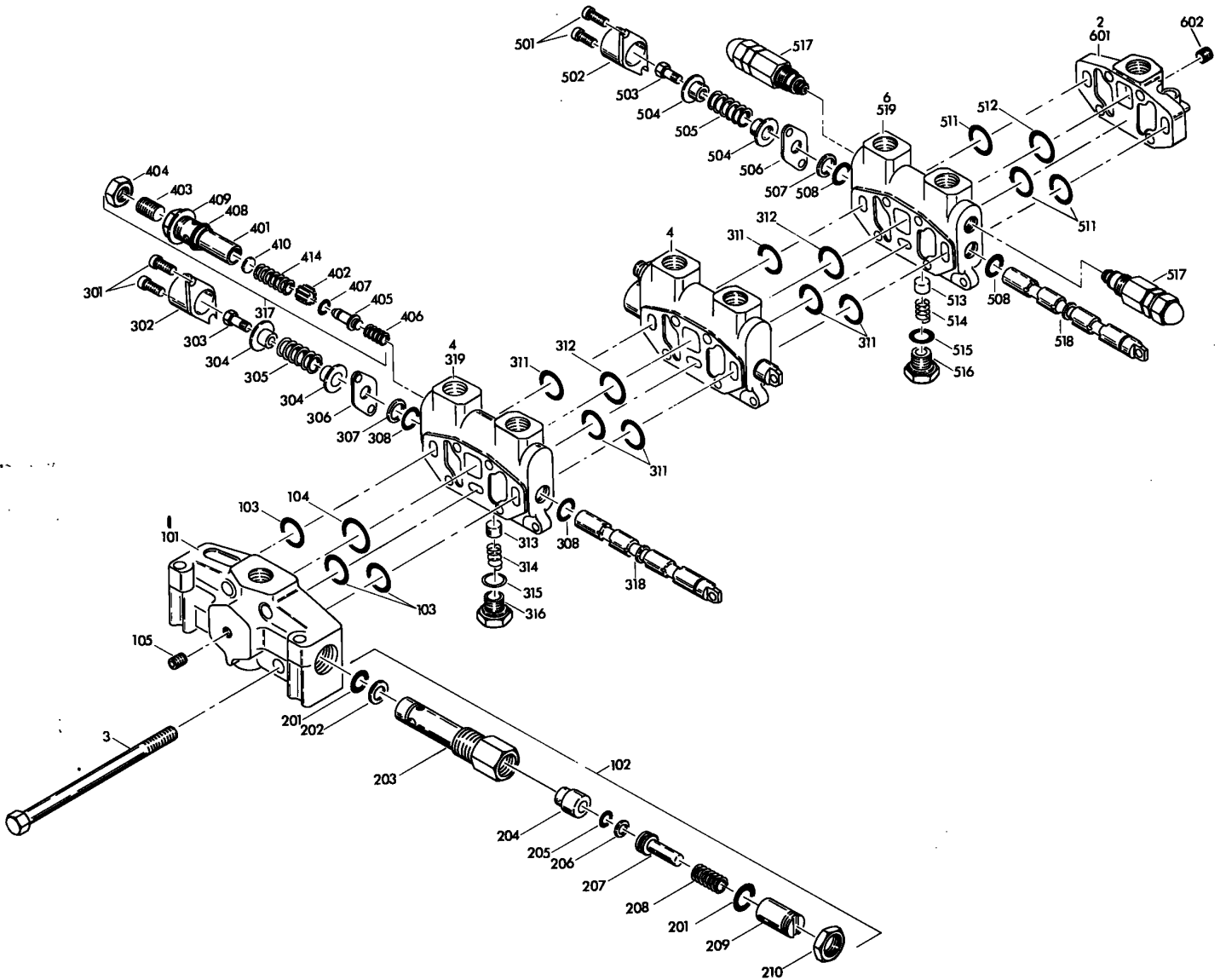


# ***Manitowoc Crane Group***

Notes

---

# Manitowoc Crane Group



6926000288

(SHEET 1 OF 1)

36XXXe 88

# Manitowoc Crane Group

Description

**VALVE BANK ASSEMBLY- THREE SECTION A-20 SERIES**

Assembly No.

**6926000288**

Revision: **B**

Item	FN	Part	Qty	Description
1	+	7926000223	1	VALVE ASSEMBLY - SECTION INLET (A-20 SERIES)
2	+	7926000225	1	VALVE ASSEMBLY - SECTION OUTLET (A-20 SERIES) INCLUDES NBR'S 601 AND 602
3		7099000077	4	BOLT ASSEMBLY
4	+	7926000222	2	VALVE ASSEMBLY - 4-WAY SECTION INCLUDES NBR'S 301 - 319
6	+	7926000221	1	VALVE ASSEMBLY - 4-WAY SECTION INCLUDES NBR'S 501 - 519
101	#	NS	1	NOT SERVICED HOUSING
102		9926101842	1	VALVE ASSEMBLY - RELIEF 250 PSI INCLUDES THE FOLLOWING PARTS
		7755115000	1	O-RING
103		9926100722	3	O-RING
104		9926100721	1	O-RING
105		9926101259	1	PLUG, FLUSH PIPE
201	*	7755115000	2	O-RING
202		9926100686	1	WASHER, GASKET
203		9926100687	1	CARTRIDGE
204		9926100688	1	SEAT
205	*	7755901000	1	O-RING
206	*	7755110609	1	RING, BACK-UP
207		9926100691	1	PLUNGER
208		9926100692	1	SPRING
209		9926100693	1	SCREW, ADJUSTMENT
210		9926100694	1	NUT, LOCKING
301		9926100661	4	SCREW, FILLISTER HEAD (2 PER ASSEMBLY)
302		9926100662	2	CAP, VALVE (1 PER ASSEMBLY)
303		9926100663	2	BOLT, STRIPPER (1 PER ASSEMBLY)
304		9926100664	4	GUIDE, SPRING (2 PER ASSEMBLY)
305		9926100833	2	SPRING, CAP

+ SEE FURTHER BREAKDOWN THIS GROUP  
\* REPAIR KIT AND/OR PART OF KIT

# SERVICED AS AN ASSEMBLY ONLY

# Manitowoc Crane Group

Description

**VALVE BANK ASSEMBLY- THREE SECTION A-20 SERIES**

Assembly No.

**6926000288**

Revision: **B**

Item	FN	Part	Qty	Description
306		9926100666	2	PLATE, RETAINING (1 PER ASSEMBLY)
307		9926100716	2	RING, BACK-UP
308	*	9926100667	4	O-RING (2 PER ASSEMBLY)
311	@	9926100722	6	O-RING (3 PER ASSEMBLY)
312	@	9926100721	2	O-RING (1 PER ASSEMBLY)
313		9926100670	2	POPPET, CHECK
314		9926100671	2	SPRING, CHECK (1 PER ASSEMBLY)
315	*	7755118000	2	O-RING (1 PER ASSEMBLY)
316		9926100672	2	CAP, CHECK (1 PER ASSEMBLY)
317	+	9926101841	2	VALVE ASSEMBLY - RELIEF (1 PER ASSEMBLY) INCLUDES NBRS 401 - 414
318	#	NS	2	NOT SERVICED (1 PER ASSEMBLY) SPOOL
319	#	NS	2	NOT SERVICED (1 PER ASSEMBLY) BODY, VALVE
401		9926101111	1	CARTRIDGE
402		9926101100	1	SEAT, FLOATING
403		9926101101	1	SET SCREW
404		9926101102	1	LOCKNUT
405		9926101103	1	POPPET
406		9926101104	1	SPRING, CHECK VALVE
407	*	7755010000	1	O-RING
408	*	7755014000	1	O-RING
409		9926101108	1	GASKET, LEAD COPPER
410		9926101105	1	SLUG, STEEL
414		9926100266	1	LEVER
501		9926100661	2	SCREW, FILLISTER HEAD
502		9926100662	1	CAP, VALVE

\* REPAIR KIT AND/OR PART OF KIT  
+ SEE FURTHER BREAKDOWN THIS GROUP

@ SECOND REPAIR KIT AND/OR PART OF 2ND KIT  
# SERVICED AS AN ASSEMBLY ONLY

# Manitowoc Crane Group

Description

**VALVE BANK ASSEMBLY- THREE SECTION A-20 SERIES**

Assembly No.

**6926000288**

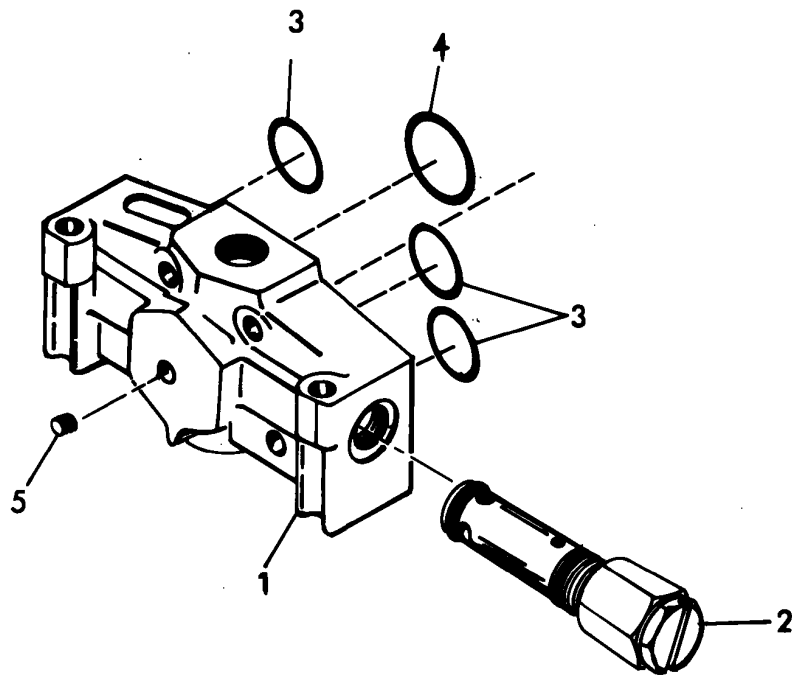
Revision: **B**

Item	FN	Part	Qty	Description
503		9926100663	1	BOLT, STRIPPER
504		9926100664	2	GUIDE, SPRING
505		9926100665	1	SPRING, CAP
506		9926100666	1	PLATE, RETAINING
507		9926100716	1	RING, BACK-UP
508	*	9926100667	2	O-RING
511	@	9926100722	3	O-RING
512	@	9926100721	1	O-RING
513		9926100670	1	POPPET, CHECK
514		9926100671	1	SPRING, CHECK
515	*	7755118000	1	O-RING
516		9926100672	1	CAP, CHECK
517	+	9926101840	2	VALVE ASSEMBLY - RELIEF
518	#	NS	1	NOT SERVICED SPOOL
519	#	NS	1	NOT SERVICED BODY, VALVE
601	#	NS	1	NOT SERVICED HOUSING
602		9926100674	1	PLUG
		9752100269	1	INCLUDES THE FOLLOWING PARTS KIT, REPAIR (RELIEF VALVE)
603	@	9752100264	1	KIT, REPAIR (BETWEEN SECTION)
603		9752100264	1	KIT, REPAIR (BETWEEN SECTION)
603	@	9752100264	1	KIT, REPAIR (BETWEEN SECTION)
603	*	9752100266	1	KIT, REPAIR (RELIEF VALVE)
603	*	9752100267	1	KIT, REPAIR (RELIEF VALVE)
603	*	9752100265	1	KIT, REPAIR (SECTION)
603	*	9752100265	1	KIT, REPAIR (SECTION)

\* REPAIR KIT AND/OR PART OF KIT  
+ SEE FURTHER BREAKDOWN THIS GROUP

@ SECOND REPAIR KIT AND/OR PART OF 2ND KIT  
# SERVICED AS AN ASSEMBLY ONLY

# Manitowoc Crane Group



# Manitowoc Crane Group

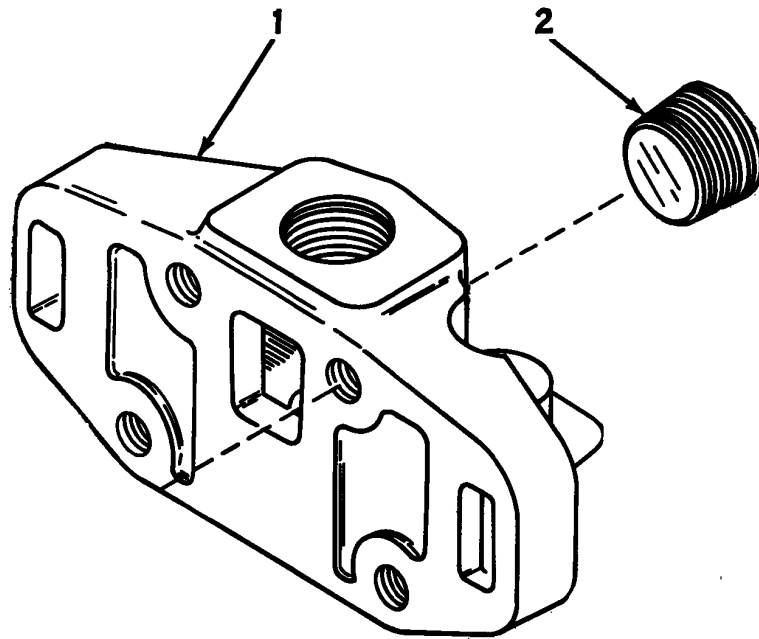
Description  
**VALVE ASSEMBLY - SECTION INLET (A-20 SERIES)**

Assembly No.  
**7926000223**  
 Revision:

Item	FN	Part	Qty	Description
1		9926101258	1	HOUSING
2		9926101842	1	VALVE ASSEMBLY - RELIEF 250 PSI INCLUDES THE FOLLOWING PARTS
		7755115000	1	O-RING
3	*	9926100722	3	O-RING
4	*	9926100721	1	O-RING
5		9926101259	1	PLUG, FLUSH PIPE
6	*	9752100264	1	KIT, REPAIR (BETWEEN SECTION)

\* REPAIR KIT AND/OR PART OF KIT

# Manitowoc Crane Group





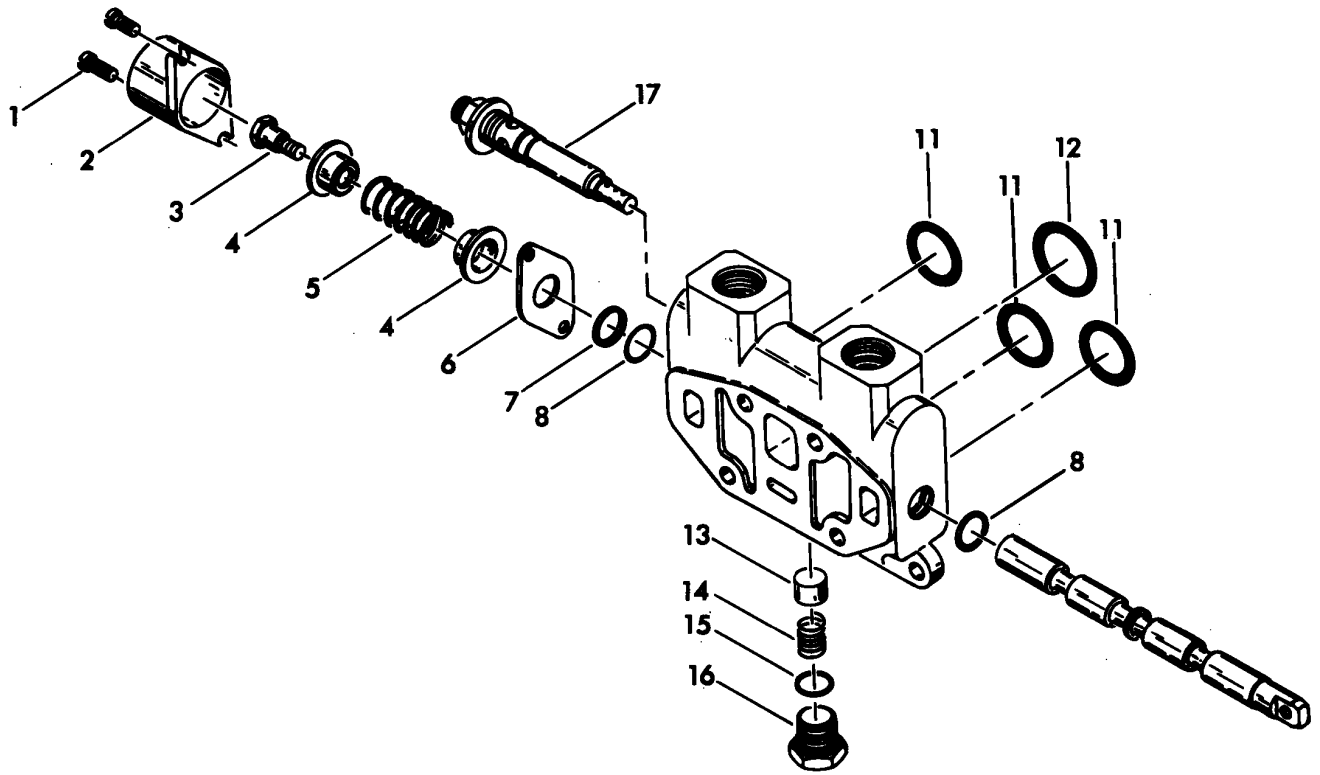
# Manitowoc Crane Group

Description  
**VALVE ASSEMBLY - SECTION OUTLET (A-20 SERIES)**

Assembly No.  
**7926000225**  
 Revision:

Item	FN	Part	Qty	Description
1		NSS	1	HOUSING HOUSING
2		9926100674	1	PLUG INCLUDES THE FOLLOWING PARTS
		9752100269	1	KIT, REPAIR (RELIEF VALVE)

# Manitowoc Crane Group



7926000222

(SHEET 1 OF 1)

36XXXe 96

# Manitowoc Crane Group

Description  
**VALVE ASSEMBLY - 4-WAY SECTION**

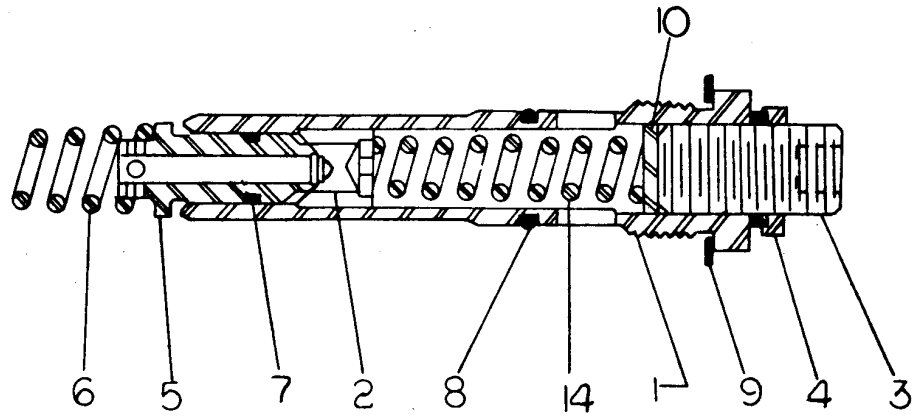
Assembly No.  
**7926000222**  
 Revision:

Item	FN	Part	Qty	Description
1		9926100661	2	SCREW, FILLISTER HEAD
2		9926100662	1	CAP, VALVE
3		9926100663	1	BOLT, STRIPPER
4		9926100664	2	GUIDE, SPRING
5		9926100833	1	SPRING, CAP
6		9926100666	1	PLATE, RETAINING
7		9926100716	1	RING, BACK-UP
8	*	9926100667	2	O-RING
11	@	9926100722	3	O-RING
12	@	9926100721	1	O-RING
13		9926100670	1	POPPET, CHECK
14		9926100671	1	SPRING, CHECK
15	*	7755118000	1	O-RING
16		9926100672	1	CAP, CHECK
17	+	9926101841	1	VALVE ASSEMBLY - RELIEF
18	@	9752100264	1	KIT, REPAIR (BETWEEN SECTION)
18	*	9752100265	1	KIT, REPAIR (SECTION)

\* REPAIR KIT AND/OR PART OF KIT  
 + SEE FURTHER BREAKDOWN THIS GROUP

@ SECOND REPAIR KIT AND/OR PART OF 2ND KIT

# Manitowoc Crane Group



# Manitowoc Crane Group

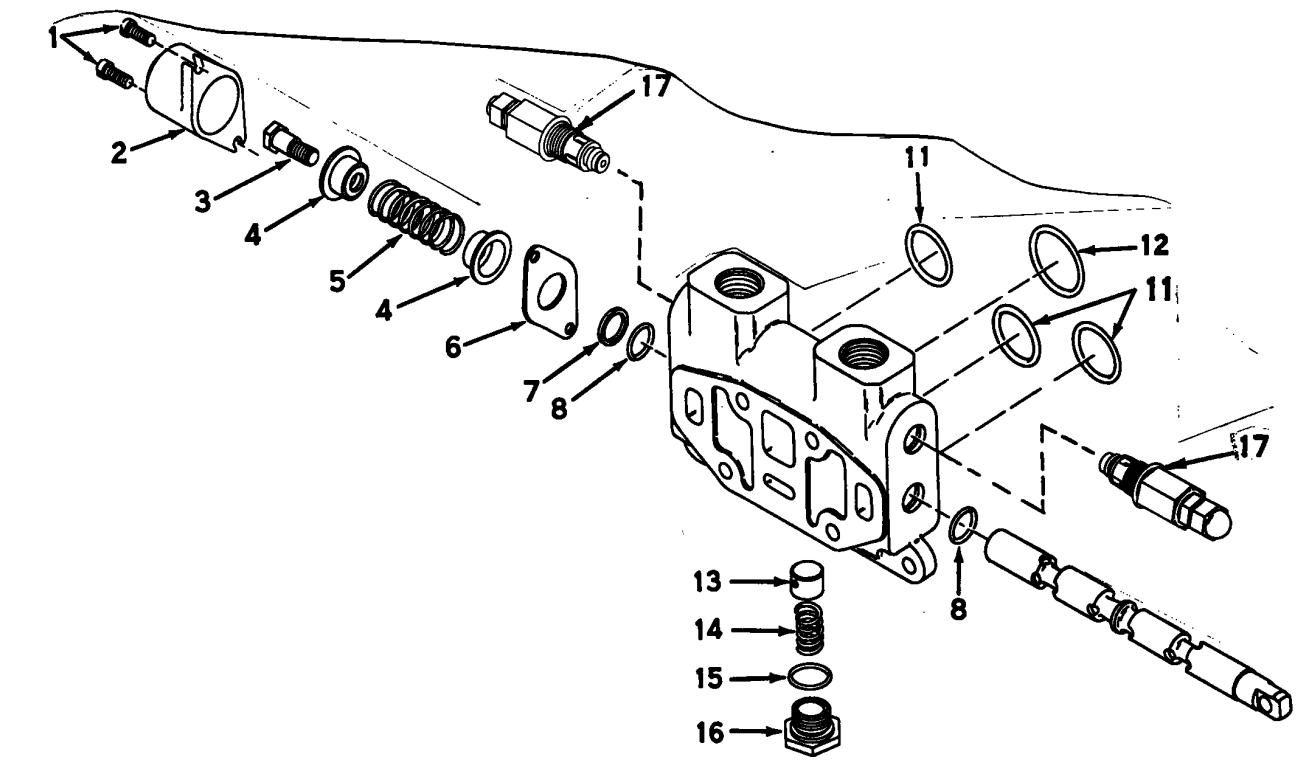
Description  
**VALVE ASSEMBLY - RELIEF**

Assembly No.  
**9926101841**  
 Revision:

Item	FN	Part	Qty	Description
1		9926101111	1	CARTRIDGE
2		9926101100	1	SEAT, FLOATING
3		9926101101	1	SET SCREW
4		9926101102	1	LOCKNUT
5		9926101103	1	POPPET
6		9926101104	1	SPRING, CHECK VALVE
7	*	7755010000	1	O-RING
8	*	7755014000	1	O-RING
9		9926101108	1	GASKET, LEAD COPPER
10		9926101105	1	SLUG, STEEL
14		9926101112	1	SPRING, RELIEF VALVE
15	*	9752100266	1	KIT, REPAIR (RELIEF VALVE)

\* REPAIR KIT AND/OR PART OF KIT

# Manitowoc Crane Group



7926000221

(SHEET 1 OF 1)

36XXXe 100

# Manitowoc Crane Group

Description  
**VALVE ASSEMBLY - 4-WAY SECTION**

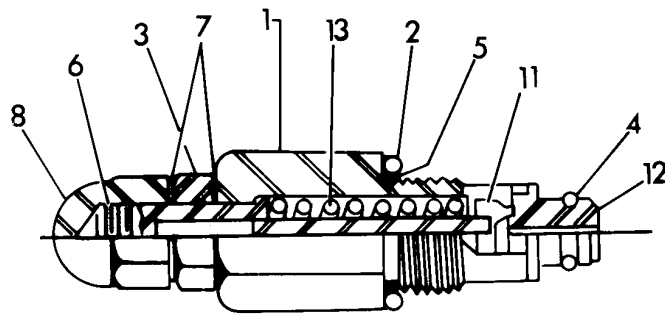
Assembly No.  
**7926000221**  
 Revision:

Item	FN	Part	Qty	Description
1		9926100661	2	SCREW, FILLISTER HEAD
2		9926100662	1	CAP, VALVE
3		9926100663	1	BOLT, STRIPPER
4		9926100664	2	GUIDE, SPRING
5		9926100665	1	SPRING, CAP
6		9926100666	1	PLATE, RETAINING
7		9926100716	1	RING, BACK-UP
8	*	9926100667	2	O-RING
11	@	9926100722	2	O-RING
12	@	9926100721	1	O-RING
13		9926100670	1	POPPET, CHECK
14		9926100671	1	SPRING, CHECK
15	*	7755118000	1	O-RING
16		9926100672	1	CAP, CHECK
17	+	9926101840	2	VALVE ASSEMBLY - RELIEF
18	@	9752100264	1	KIT, REPAIR (BETWEEN SECTION)
18	*	9752100265	1	KIT, REPAIR (SECTION)

\* REPAIR KIT AND/OR PART OF KIT  
 + SEE FURTHER BREAKDOWN THIS GROUP

@ SECOND REPAIR KIT AND/OR PART OF 2ND KIT

# Manitowoc Crane Group





# Manitowoc Crane Group

Description

**VALVE ASSEMBLY - RELIEF**

Assembly No.

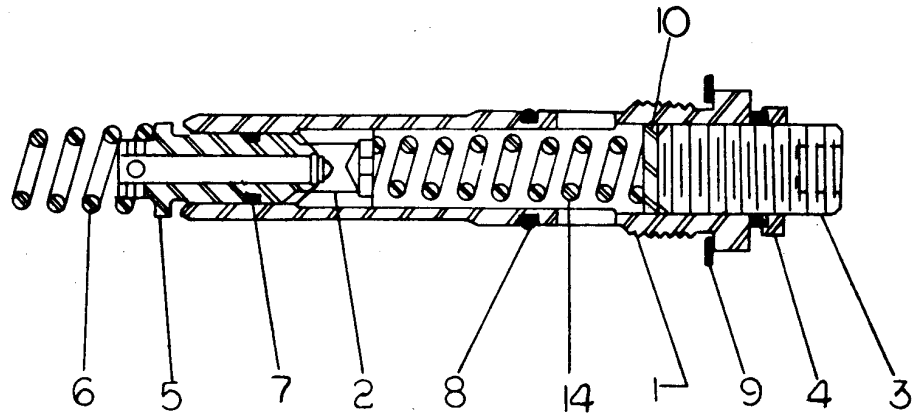
**9926101840**

Revision:

Item	FN	Part	Qty	Description
1		9926101113	1	RETAINER, SPRING
2		9926101114	1	GASKET, COPPER
3		9926101115	1	NUT, JAM
4	*	7755010000	1	O-RING
5	*	7755014000	1	O-RING
6		9926101117	1	SET SCREW
7		9926101118	2	GASKET, LEAD COPPER
8		9926101119	1	NUT, CAP
11		9926101120	1	SEAT, FLOATING
12		9926101121	1	POPPET
13		9926101122	1	SPRING
14	*	9752100266	1	KIT, REPAIR (RELIEF VALVE)

\* REPAIR KIT AND/OR PART OF KIT

# Manitowoc Crane Group



# Manitowoc Crane Group

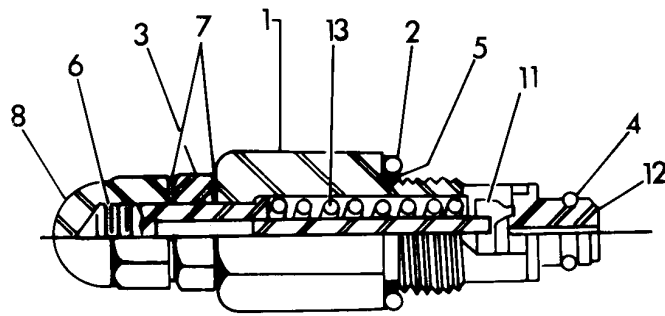
Description  
**VALVE ASSEMBLY - RELIEF**

Assembly No.  
**9926101841**  
 Revision:

Item	FN	Part	Qty	Description
1		9926101111	1	CARTRIDGE
2		9926101100	1	SEAT, FLOATING
3		9926101101	1	SET SCREW
4		9926101102	1	LOCKNUT
5		9926101103	1	POPPET
6		9926101104	1	SPRING, CHECK VALVE
7	*	7755010000	1	O-RING
8	*	7755014000	1	O-RING
9		9926101108	1	GASKET, LEAD COPPER
10		9926101105	1	SLUG, STEEL
14		9926101112	1	SPRING, RELIEF VALVE
15	*	9752100266	1	KIT, REPAIR (RELIEF VALVE)

\* REPAIR KIT AND/OR PART OF KIT

# Manitowoc Crane Group



# Manitowoc Crane Group

Description

**VALVE ASSEMBLY - RELIEF**

Assembly No.

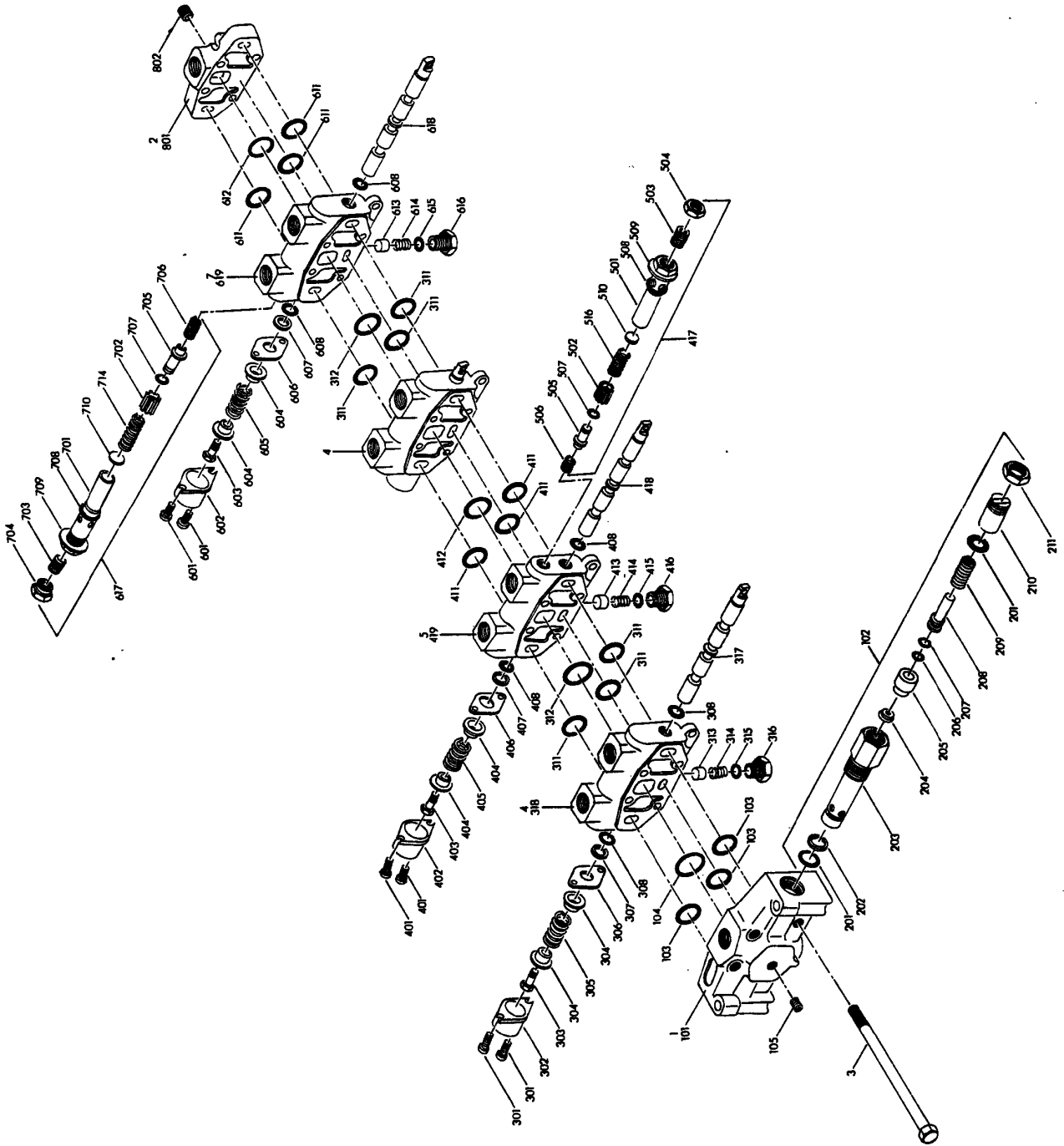
**9926101840**

Revision:

Item	FN	Part	Qty	Description
1		9926101113	1	RETAINER, SPRING
2		9926101114	1	GASKET, COPPER
3		9926101115	1	NUT, JAM
4	*	7755010000	1	O-RING
5	*	7755014000	1	O-RING
6		9926101117	1	SET SCREW
7		9926101118	2	GASKET, LEAD COPPER
8		9926101119	1	NUT, CAP
11		9926101120	1	SEAT, FLOATING
12		9926101121	1	POPPET
13		9926101122	1	SPRING
14	*	9752100266	1	KIT, REPAIR (RELIEF VALVE)

\* REPAIR KIT AND/OR PART OF KIT

# Manitowoc Crane Group



6926000245

(SHEET 1 OF 1)

36XXXe 108

# Manitowoc Crane Group

Description

**VALVE BANK ASSEMBLY - FOUR SECTION A-35 SERIES**

Assembly No.

**6926000245**

Revision: **E**

Item	FN	Part	Qty	Description
1	+	7926000353	1	VALVE SECTION - INLET (A-35 SERIES) INCLUDES NBRS 101 - 105
1	+	7926000227	1	VALVE SECTION - INLET (A-35 SERIES)
2	+	7926000229	1	VALVE ASSEMBLY - OUTLET INCLUDES NBRS 801 AND 802
3		7099000088	4	BOLT ASSEMBLY
4	+	7926000233	2	VALVE ASSEMBLY - 4-WAY SECTION (A-35 SERIES)
5	+	7926000377	1	VALVE SECTION - RELIEF INCLUDES NBRS 401 - 419
5	+	7926000231	1	VALVE ASSEMBLY - 4-WAY
7	+	7926000232	1	VALVE SECTION - 4 WAY (A-35 SERIES)
101	#	NS	1	NOT SERVICED HOUSING
102		9926101847	1	VALVE ASSEMBLY - RELIEF 2500 PSI INCLUDES THE FOLLOWING PARTS
		9752100269	1	KIT, REPAIR (RELIEF VALVE)
102	+	9926101843	1	VALVE ASSEMBLY - RELIEF 2250 PSI
103	*	9926100721	3	O-RING
104	*	9926100723	1	O-RING
105		9926100674	1	PLUG INCLUDES THE FOLLOWING PARTS
		9752100269	1	KIT, REPAIR (RELIEF VALVE)
201		7755212000	2	O-RING
202		9926100697	1	WASHER,
203	+	9926100698	1	CARTRIDGE ASSEMBLY
204		9926100699	1	VALVE, CHECK
205		9926100700	1	SEAT, FLOATING
206	*	9926100701	1	O-RING
207	*	7755110609	1	RING, BACK-UP
208		9926100703	1	PLUNGER, DISPLACEMENT
209		9926101128	1	SPRING

+ SEE FURTHER BREAKDOWN THIS GROUP  
\* REPAIR KIT AND/OR PART OF KIT

# SERVICED AS AN ASSEMBLY ONLY

# Manitowoc Crane Group

Description

**VALVE BANK ASSEMBLY - FOUR SECTION A-35 SERIES**

Assembly No.

**6926000245**

Revision: **E**

Item	FN	Part	Qty	Description
210		<b>9926100705</b>	1	SCREW, SPRING ADJUSTING
211		<b>9926100706</b>	1	NUT, LOCKING
301		<b>9926100650</b>	4	SCREW (2 PER ASSEMBLY)
302		<b>9926100651</b>	2	CAP, VALVE (1 PER ASSEMBLY)
303		<b>9926100652</b>	2	CAP SCREW,
304		<b>9926100653</b>	4	GUIDE, SPRING (2 PER ASSEMBLY)
305		<b>9926100654</b>	2	SPRING, CAP
306		<b>9926100655</b>	2	PLATE, RETAINING
307		<b>9926100714</b>	2	RING, BACK-UP (1 PER ASSEMBLY)
308	*	<b>7755212000</b>	4	O-RING (2 PER ASSEMBLY)
311	@	<b>9926100721</b>	6	O-RING (3 PER ASSEMBLY)
312	@	<b>9926100723</b>	2	O-RING
313		<b>9926100658</b>	2	POPPET, CHECK (1 PER ASSEMBLY)
314		<b>9926100659</b>	2	SPRING, CHECK (1 PER ASSEMBLY)
315	*	<b>7755216000</b>	2	O-RING (1 PER ASSEMBLY)
316		<b>9926100660</b>	2	CAP, CHECK (1 PER ASSEMBLY)
317	@	<b>NS</b>	2	NOT SERVICED SPOOL (1 PER ASSEMBLY)
318	#	<b>NS</b>	2	NOT SERVICED BODY, VALVE (1 PER ASSEMBLY)
401		<b>9926100650</b>	2	SCREW
402		<b>9926100651</b>	1	CAP, VALVE
403		<b>9926100652</b>	1	CAP SCREW,
404		<b>9926100653</b>	2	GUIDE, SPRING
405		<b>9926100654</b>	1	SPRING, CAP
406		<b>9926100655</b>	1	PLATE, RETAINING

\* REPAIR KIT AND/OR PART OF KIT  
# SERVICED AS AN ASSEMBLY ONLY

@ SECOND REPAIR KIT AND/OR PART OF 2ND KIT



# Manitowoc Crane Group

Description

**VALVE BANK ASSEMBLY - FOUR SECTION A-35 SERIES**

Assembly No.

**6926000245**

Revision: **E**

Item	FN	Part	Qty	Description
407		9926100714	1	RING, BACK-UP
408	*	7755212000	2	O-RING
411	@	9926100721	3	O-RING
412	@	9926100723	1	O-RING
413		9926100658	1	POPPET, CHECK
414		9926100659	1	SPRING, CHECK
415	*	7755216000	1	O-RING
416		9926100660	1	CAP, CHECK
417	+	9926101848	1	VALVE ASSEMBLY - RELIEF INCLUDES NBRS 501 - 516
417	+	9926101841	1	VALVE ASSEMBLY - RELIEF INCLUDES NBRS 701 THRU 714
418	#	NS	1	NOT SERVICED SPOOL
419	#	NS	1	NOT SERVICED BODY, VALVE
501		9926101111	1	CARTRIDGE
502		9926101100	1	SEAT, FLOATING
503		9926101101	1	SET SCREW
504		9926101102	1	LOCKNUT
505		9926101103	1	POPPET
506		9926101104	1	SPRING, CHECK VALVE
507	*	7755010000	1	O-RING
508	*	7755014000	1	O-RING
509		9926101108	1	GASKET, LEAD COPPER
510		9926101105	1	SLUG, STEEL
516		9926101379	1	SPRING, RELIEF VALVE
516		9926101112	1	SPRING, RELIEF VALVE
601		9926100650	2	SCREW
602		9926100651	1	CAP, VALVE
603		9926100652	1	CAP SCREW,
604		9926100653	2	GUIDE, SPRING
605		9926100654	1	SPRING, CAP
606		9926100655	1	PLATE, RETAINING
607		9926100714	1	RING, BACK-UP

\* REPAIR KIT AND/OR PART OF KIT  
+ SEE FURTHER BREAKDOWN THIS GROUP

@ SECOND REPAIR KIT AND/OR PART OF 2ND KIT  
# SERVICED AS AN ASSEMBLY ONLY

# Manitowoc Crane Group

Description

**VALVE BANK ASSEMBLY - FOUR SECTION A-35 SERIES**

Assembly No.

**6926000245**

Revision: **E**

Item	FN	Part	Qty	Description
608	*	7755212000	2	O-RING
611	@	9926100721	3	O-RING
612	@	9926100723	1	O-RING
613		9926100658	1	POPPET, CHECK
614		9926100659	1	SPRING, CHECK
615	*	7755216000	1	O-RING
616		9926100660	1	CAP, CHECK
617	+	9926101841	1	VALVE ASSEMBLY - RELIEF INCLUDES NBRS 701 THRU 714
618	#	NS	1	NOT SERVICED SPOOL
619	#	NS	1	NOT SERVICED BODY, VALVE
701		9926101111	1	CARTRIDGE
702		9926101100	1	SEAT, FLOATING
703		9926101101	1	SET SCREW
704		9926101102	1	LOCKNUT
705		9926101103	1	POPPET
706		9926101104	1	SPRING, CHECK VALVE
707	*	7755010000	1	O-RING
708	*	7755014000	1	O-RING
709		9926101108	1	GASKET, LEAD COPPER
710		9926101105	1	SLUG, STEEL
714		9926101112	1	SPRING, RELIEF VALVE
801	#	NS	1	NOT SERVICED HOUSING
802		9926100842	1	PLUG
803	*	9752100266	1	KIT, REPAIR (RELIEF VALVE)
803	*	9752100266	1	KIT, REPAIR (RELIEF VALVE)
803	@	9752100268	1	KIT, REPAIR (BETWEEN SECTION)
803	@	9752100268	1	KIT, REPAIR (BETWEEN SECTION)
803	@	9752100268	1	KIT, REPAIR (BETWEEN SECTION)

\* REPAIR KIT AND/OR PART OF KIT  
+ SEE FURTHER BREAKDOWN THIS GROUP

@ SECOND REPAIR KIT AND/OR PART OF 2ND KIT  
# SERVICED AS AN ASSEMBLY ONLY

# Manitowoc Crane Group

Description

**VALVE BANK ASSEMBLY - FOUR SECTION A-35 SERIES**

Assembly No.

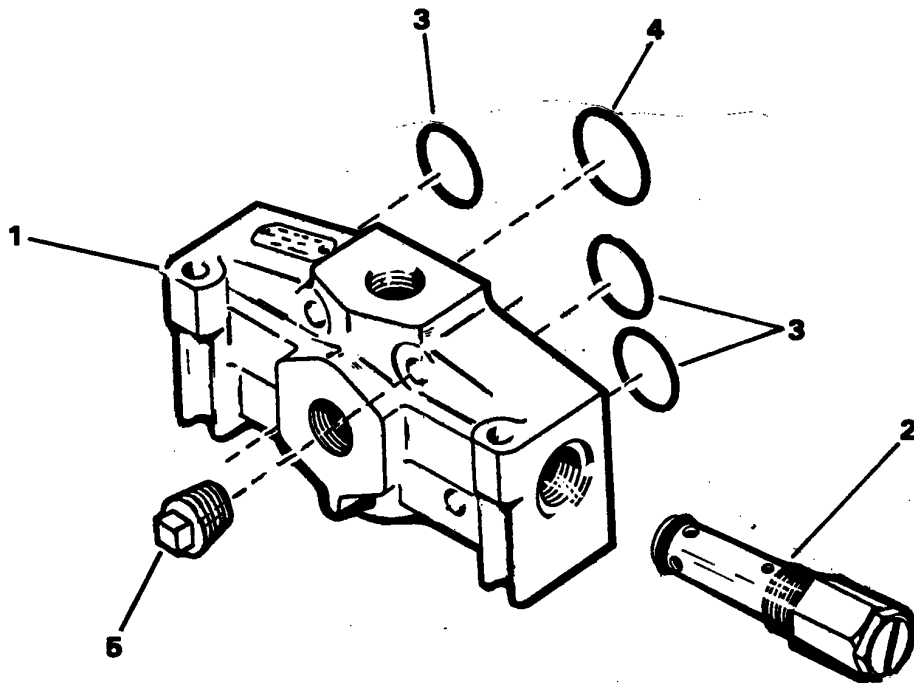
**6926000245**

Revision: **E**

Item	FN	Part	Qty	Description
803	*	<b>9752100268</b>	1	KIT, REPAIR (BETWEEN SECTION)
803	*	<b>9752100269</b>	1	KIT, REPAIR (RELIEF VALVE)
803	*	<b>9752100270</b>	1	KIT, REPAIR (SECTION)
803	*	<b>9752100270</b>	1	KIT, REPAIR (SECTION)
803	*	<b>9752100270</b>	1	KIT, REPAIR (SECTION)

\* REPAIR KIT AND/OR PART OF KIT

# Manitowoc Crane Group



# Manitowoc Crane Group

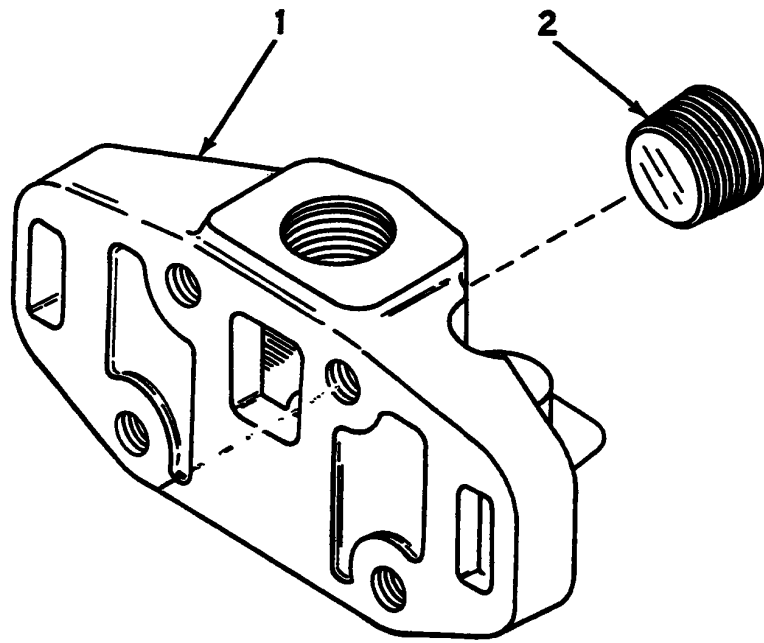
Description  
**VALVE SECTION - INLET (A-35 SERIES)**

Assembly No.  
**7926000353**  
 Revision:

Item	FN	Part	Qty	Description
1		<b>NSS</b>	1	HOUSING HOUSING
2		<b>9926101847</b>	1	VALVE ASSEMBLY - RELIEF 2500 PSI INCLUDES THE FOLLOWING PARTS
		<b>9752100269</b>	1	KIT, REPAIR (RELIEF VALVE)
3	*	<b>9926100721</b>	3	O-RING
4	*	<b>9926100723</b>	1	O-RING
5		<b>9926100674</b>	1	PLUG INCLUDES THE FOLLOWING PARTS
		<b>9752100269</b>	1	KIT, REPAIR (RELIEF VALVE)
6	*	<b>9752100268</b>	1	KIT, REPAIR (BETWEEN SECTION)

\* REPAIR KIT AND/OR PART OF KIT

# Manitowoc Crane Group



# Manitowoc Crane Group

Description

VALVE ASSEMBLY - OUTLET

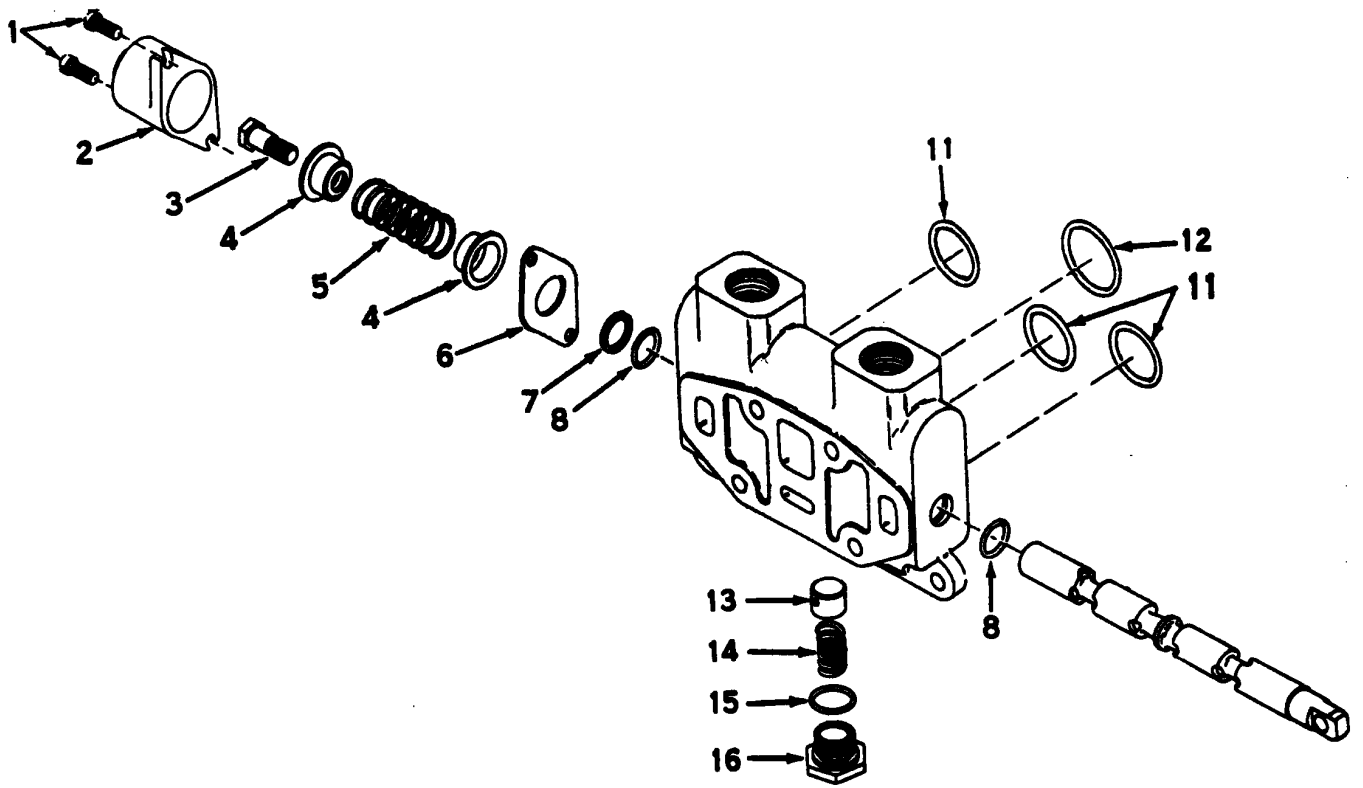
Assembly No.

7926000229

Revision:

Item	FN	Part	Qty	Description
1		NSS	1	HOUSING HOUSING
2		9926100842	1	PLUG

# Manitowoc Crane Group





# Manitowoc Crane Group

Description  
**VALVE ASSEMBLY - 4-WAY SECTION (A-35 SERIES)**

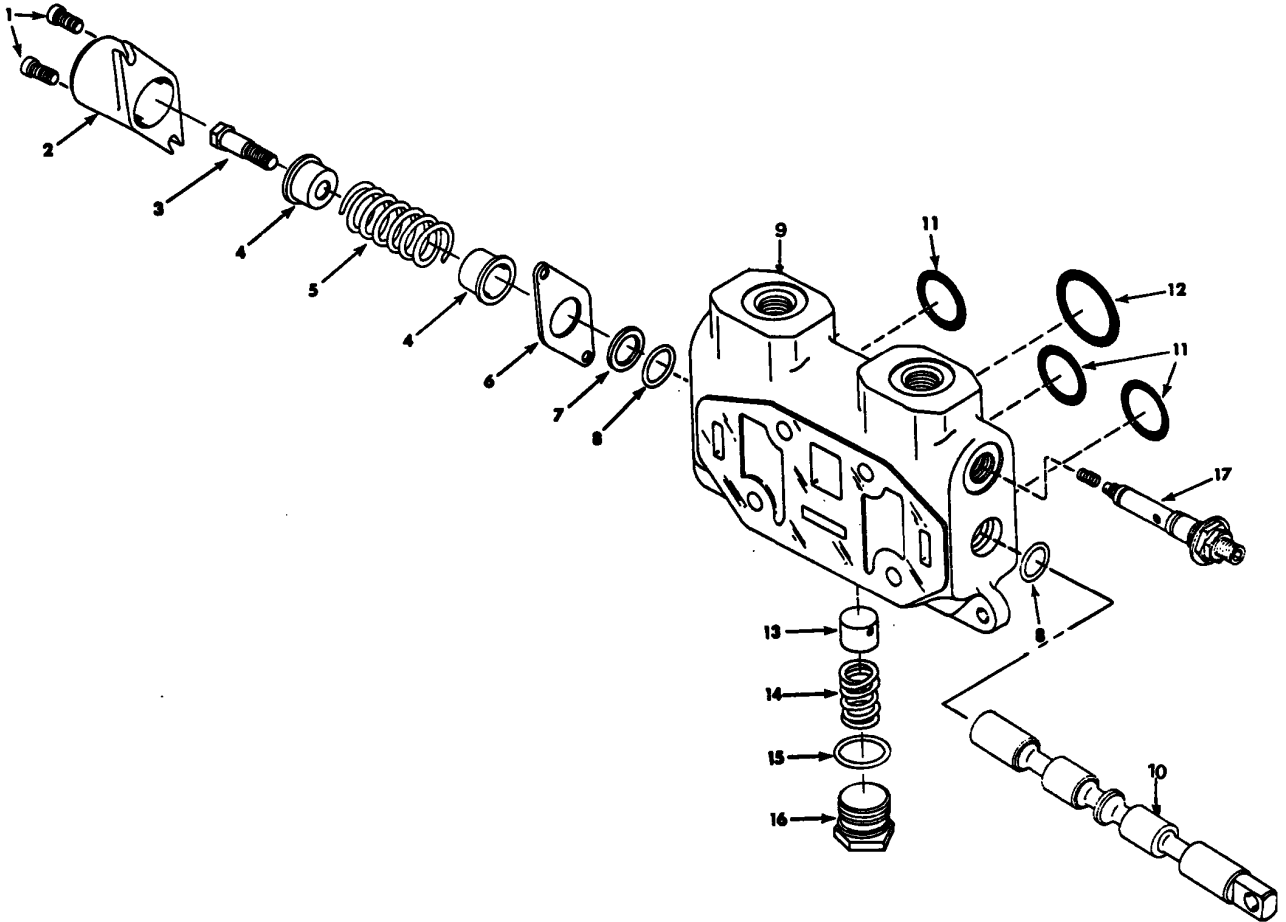
Assembly No.  
**7926000233**  
 Revision:

Item	FN	Part	Qty	Description
1		9926100650	2	SCREW
2		9926100651	1	CAP, VALVE
3		9926100652	1	CAP SCREW,
4		9926100653	2	GUIDE, SPRING
5		9926100654	1	SPRING, CAP
6		9926100655	1	PLATE, RETAINING
7		9926100714	1	RING, BACK-UP
8	*	7755212000	2	O-RING
11	@	9926100721	3	O-RING
12	@	9926100723	1	O-RING
13		9926100658	1	POPPET, CHECK
14		9926100659	1	SPRING, CHECK
15	*	7755216000	1	O-RING
16		9926100660	1	CAP, CHECK
17	@	9752100268	1	KIT, REPAIR (BETWEEN SECTION)
17	*	9752100270	1	KIT, REPAIR (SECTION)

\* REPAIR KIT AND/OR PART OF KIT

@ SECOND REPAIR KIT AND/OR PART OF 2ND KIT

# Manitowoc Crane Group



# Manitowoc Crane Group

Description  
**VALVE SECTION - RELIEF**

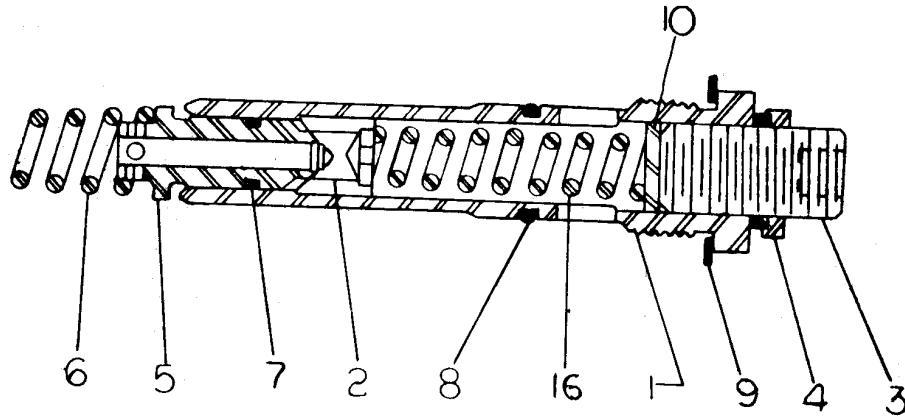
Assembly No.  
**7926000377**  
 Revision:

Item	FN	Part	Qty	Description
1		9926100650	2	SCREW
2		9926100651	1	CAP, VALVE
3		9926100652	1	CAP SCREW,
4		9926100653	2	GUIDE, SPRING
5		9926100654	1	SPRING, CAP
6		9926100655	1	PLATE, RETAINING
7		9926100714	1	RING, BACK-UP
8	*	7755212000	2	O-RING
9	#	NS	1	NOT SERVICED BODY
10	#	NS	1	NOT SERVICED SPOOL
11	@	9926100721	3	O-RING
12	@	9926100723	1	O-RING
13		9926100658	1	POPPET, CHECK
14		9926100659	1	SPRING, CHECK
15	*	7755216000	1	O-RING
16		9926100660	1	CAP, CHECK
17	+	9926101848	1	VALVE ASSEMBLY - RELIEF
18	@	9752100268	1	KIT, REPAIR (BETWEEN SECTION)
18	*	9752100270	1	KIT, REPAIR (SECTION)

\* REPAIR KIT AND/OR PART OF KIT  
 @ SECOND REPAIR KIT AND/OR PART OF 2ND KIT

# SERVICED AS AN ASSEMBLY ONLY  
 + SEE FURTHER BREAKDOWN THIS GROUP

# Manitowoc Crane Group



# Manitowoc Crane Group

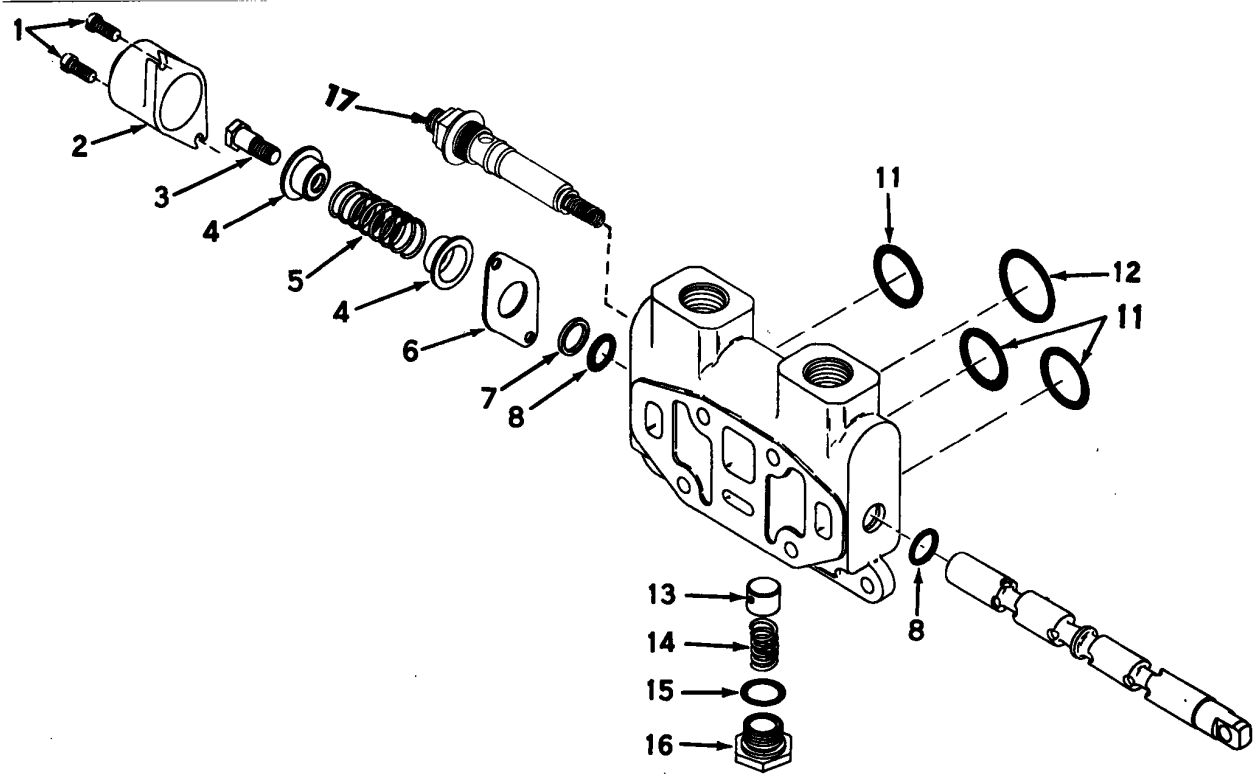
Description  
**VALVE ASSEMBLY - RELIEF**

Assembly No.  
**9926101848**  
 Revision:

Item	FN	Part	Qty	Description
1		9926101111	1	CARTRIDGE
2		9926101100	1	SEAT, FLOATING
3		9926101101	1	SET SCREW
4		9926101102	1	LOCKNUT
5		9926101103	1	POPPET
6		9926101104	1	SPRING, CHECK VALVE
7	*	7755010000	1	O-RING
8	*	7755014000	1	O-RING
9		9926101108	1	GASKET, LEAD COPPER
10		9926101105	1	SLUG, STEEL
16		9926101379	1	SPRING, RELIEF VALVE
17	*	9752100266	1	KIT, REPAIR (RELIEF VALVE)

\* REPAIR KIT AND/OR PART OF KIT

# Manitowoc Crane Group



# Manitowoc Crane Group

Description  
**VALVE SECTION - 4 WAY (A-35 SERIES)**

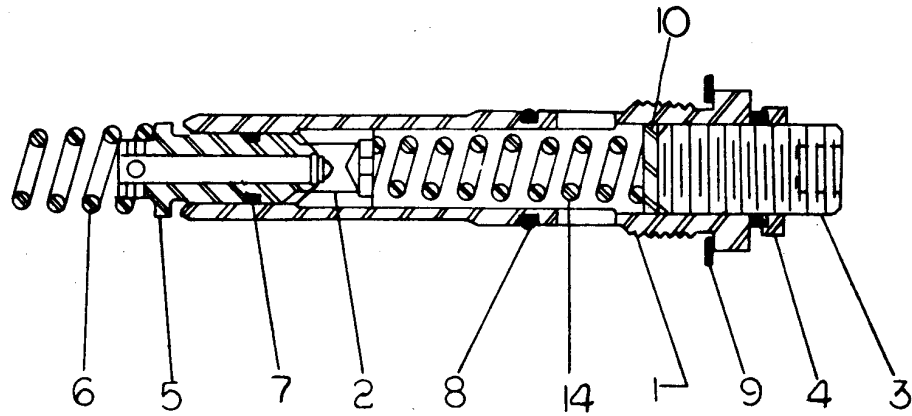
Assembly No.  
**7926000232**  
 Revision:

Item	FN	Part	Qty	Description
1		9926100650	2	SCREW
2		9926100651	1	CAP, VALVE
3		9926100652	1	CAP SCREW,
4		9926100653	2	GUIDE, SPRING
5		9926100654	1	SPRING, CAP
6		9926100655	1	PLATE, RETAINING
7		9926100714	1	RING, BACK-UP
8	*	7755212000	2	O-RING
11	@	9926100721	3	O-RING
12	@	9926100723	1	O-RING
13		9926100658	1	POPPET, CHECK
14		9926100659	1	SPRING, CHECK
15	*	7755216000	1	O-RING
16		9926100660	1	CAP, CHECK
17	+	9926101841	1	VALVE ASSEMBLY - RELIEF
18	@	9752100268	1	KIT, REPAIR (BETWEEN SECTION)
18	*	9752100270	1	KIT, REPAIR (SECTION)

\* REPAIR KIT AND/OR PART OF KIT  
 + SEE FURTHER BREAKDOWN THIS GROUP

@ SECOND REPAIR KIT AND/OR PART OF 2ND KIT

# Manitowoc Crane Group





# Manitowoc Crane Group

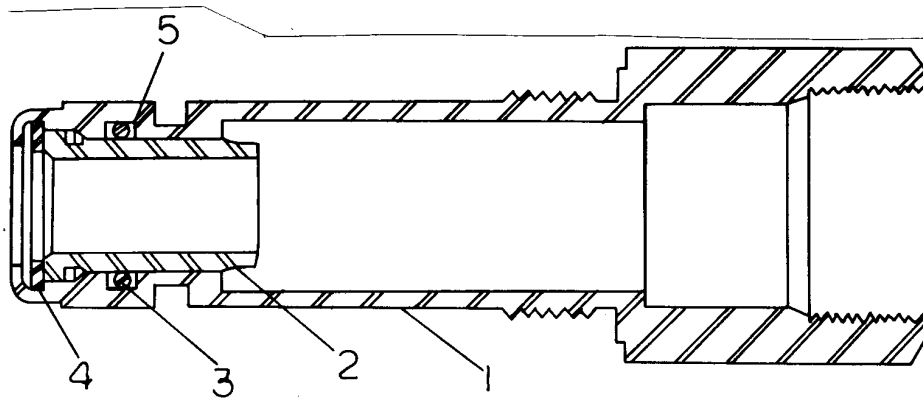
Description  
**VALVE ASSEMBLY - RELIEF**

Assembly No.  
**9926101841**  
 Revision:

Item	FN	Part	Qty	Description
1		9926101111	1	CARTRIDGE
2		9926101100	1	SEAT, FLOATING
3		9926101101	1	SET SCREW
4		9926101102	1	LOCKNUT
5		9926101103	1	POPPET
6		9926101104	1	SPRING, CHECK VALVE
7	*	7755010000	1	O-RING
8	*	7755014000	1	O-RING
9		9926101108	1	GASKET, LEAD COPPER
10		9926101105	1	SLUG, STEEL
14		9926101112	1	SPRING, RELIEF VALVE
15	*	9752100266	1	KIT, REPAIR (RELIEF VALVE)

\* REPAIR KIT AND/OR PART OF KIT

# Manitowoc Crane Group



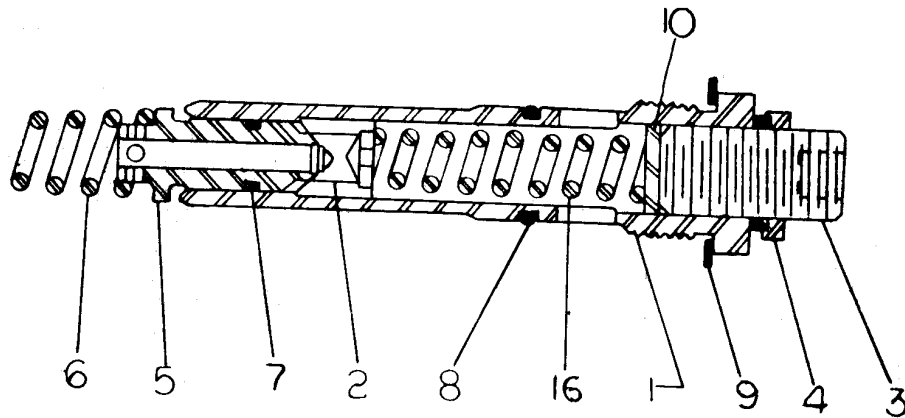
# Manitowoc Crane Group

Description  
**CARTRIDGE ASSEMBLY**

Assembly No.  
**9926100698**  
Revision:

Item	FN	Part	Qty	Description
1		9926101123	1	SHELL, CARTRIDGE
2		9926101124	1	POPPET
3		9926101126	1	O-RING
4		9926101127	1	RETAINER, POPPET
5		9926101125	1	RING, BACK-UP

# Manitowoc Crane Group



# Manitowoc Crane Group

Description

**VALVE ASSEMBLY - RELIEF**

Assembly No.

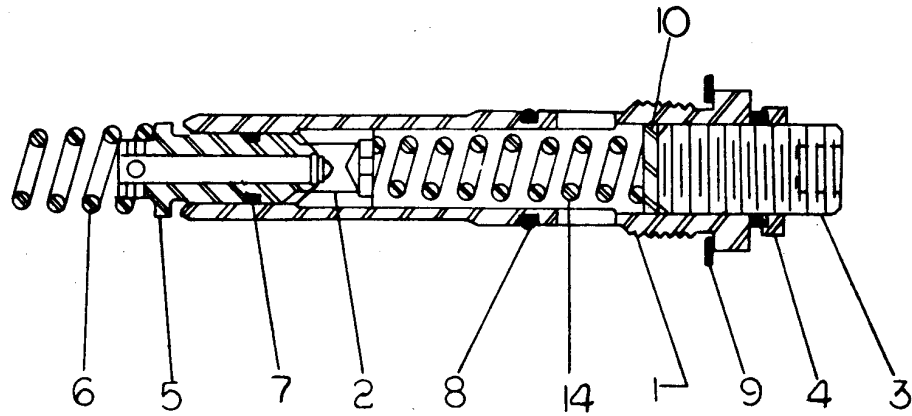
**9926101848**

Revision:

Item	FN	Part	Qty	Description
1		9926101111	1	CARTRIDGE
2		9926101100	1	SEAT, FLOATING
3		9926101101	1	SET SCREW
4		9926101102	1	LOCKNUT
5		9926101103	1	POPPET
6		9926101104	1	SPRING, CHECK VALVE
7	*	7755010000	1	O-RING
8	*	7755014000	1	O-RING
9		9926101108	1	GASKET, LEAD COPPER
10		9926101105	1	SLUG, STEEL
16		9926101379	1	SPRING, RELIEF VALVE
17	*	9752100266	1	KIT, REPAIR (RELIEF VALVE)

\* REPAIR KIT AND/OR PART OF KIT

# Manitowoc Crane Group



# Manitowoc Crane Group

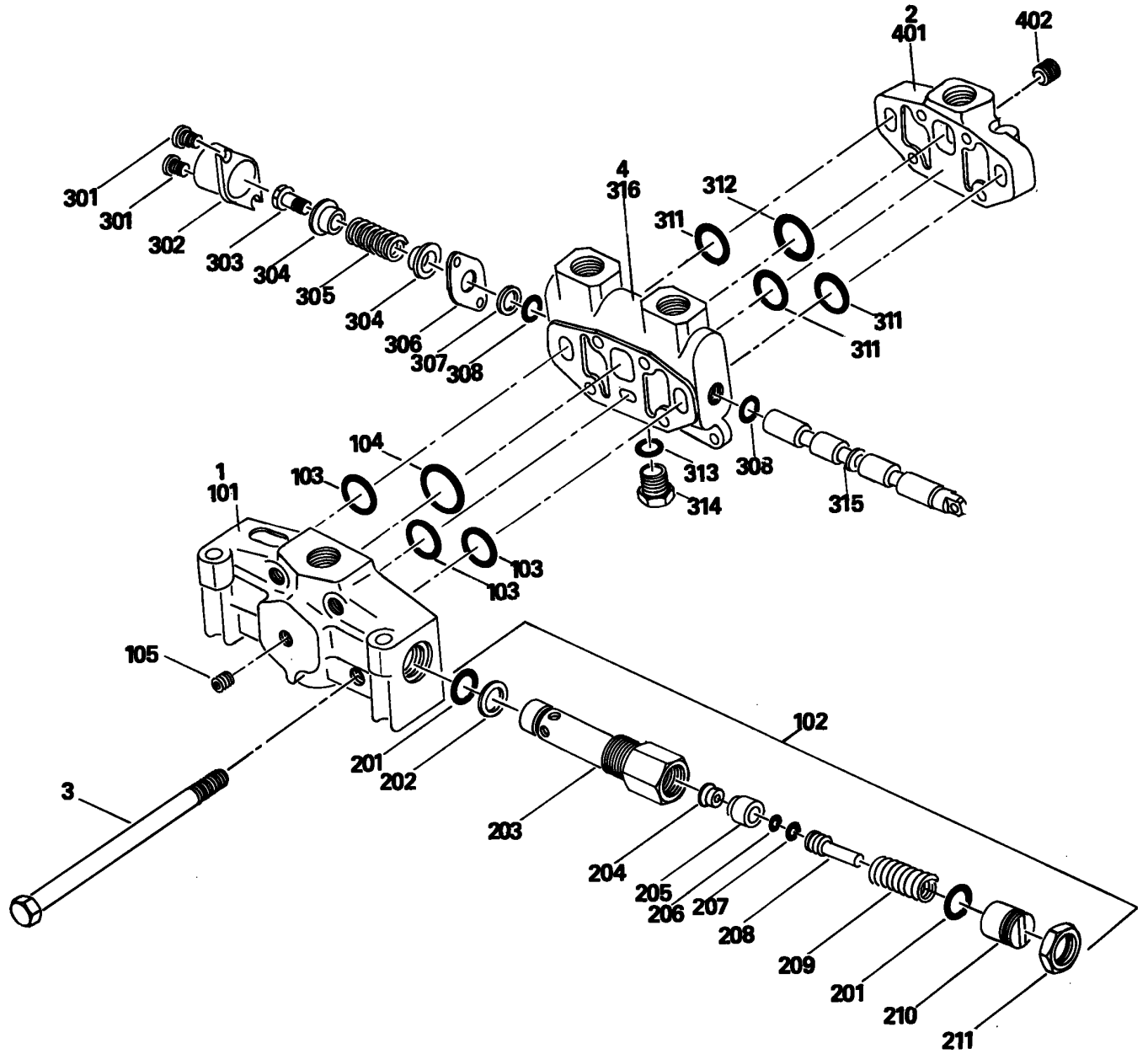
Description  
**VALVE ASSEMBLY - RELIEF**

Assembly No.  
**9926101841**  
 Revision:

Item	FN	Part	Qty	Description
1		9926101111	1	CARTRIDGE
2		9926101100	1	SEAT, FLOATING
3		9926101101	1	SET SCREW
4		9926101102	1	LOCKNUT
5		9926101103	1	POPPET
6		9926101104	1	SPRING, CHECK VALVE
7	*	7755010000	1	O-RING
8	*	7755014000	1	O-RING
9		9926101108	1	GASKET, LEAD COPPER
10		9926101105	1	SLUG, STEEL
14		9926101112	1	SPRING, RELIEF VALVE
15	*	9752100266	1	KIT, REPAIR (RELIEF VALVE)

\* REPAIR KIT AND/OR PART OF KIT

# Manitowoc Crane Group



6926000260

(SHEET 1 OF 1)

36XXXe 134



# Manitowoc Crane Group

Description

**VALVE BANK ASSEMBLY - ONE SECTION A-35 SERIES**

Assembly No.

**6926000260**

Revision: **B**

Item	FN	Part	Qty	Description
1	+	7926000227	1	VALVE SECTION - INLET (A-35 SERIES)
2	+	7926000229	1	VALVE ASSEMBLY - OUTLET INCLUDES NBRS 401 AND 402
3		7099000085	4	BOLT ASSEMBLY
4	+	7926000228	1	VALVE ASSEMBLY - 4-WAY SECTION (A-35 SERIES) ( PLAIN ) INCLUDES NBRS 301 - 316
101	#	NS	1	NOT SERVICED HOUSING
102	+	9926101843	1	VALVE ASSEMBLY - RELIEF 2250 PSI INCLUDES NBRS 201 - 211
103	*	9926100721	3	O-RING
104	*	9926100723	1	O-RING
105		9926100674	1	PLUG
		9752100269	1	INCLUDES THE FOLLOWING PARTS KIT, REPAIR (RELIEF VALVE)
201	*	7755212000	2	O-RING
202		9926100697	1	WASHER,
203	+	9926100698	1	CARTRIDGE ASSEMBLY
204		9926100699	1	VALVE, CHECK
205		9926100700	1	SEAT, FLOATING
206	*	9926100701	1	O-RING
207	*	7755110609	1	RING, BACK-UP
208		9926100703	1	PLUNGER, DISPLACEMENT
209		9926101128	1	SPRING
210		9926100705	1	SCREW, SPRING ADJUSTING
211		9926100706	1	NUT, LOCKING
301		9926100650	2	SCREW
302		9926100651	1	CAP, VALVE
303		9926100652	1	CAP SCREW,
304		9926100653	2	GUIDE, SPRING
305		9926100654	1	SPRING, CAP
306		9926100655	1	PLATE, RETAINING

+ SEE FURTHER BREAKDOWN THIS GROUP  
\* REPAIR KIT AND/OR PART OF KIT

# SERVICED AS AN ASSEMBLY ONLY

# Manitowoc Crane Group

Description  
**VALVE BANK ASSEMBLY - ONE SECTION A-35 SERIES**

Assembly No.  
**6926000260**  
 Revision: **B**

Item	FN	Part	Qty	Description
307		9926100714	1	RING, BACK-UP
308	*	7755212000	2	O-RING
311	@	9926100721	3	O-RING
312	@	9926100723	1	O-RING
313	*	7755216000	1	O-RING
314		9926100660	1	CAP, CHECK
315	#	NS	1	NOT SERVICED SPOOL
316	#	NS	1	NOT SERVICED BODY, VALVE
401	#	NS	1	NOT SERVICED HOUSING
402		9926100842	1	PLUG
403	@	9752100268	0	KIT, REPAIR (BETWEEN SECTION)
403	*	9752100268	0	KIT, REPAIR (BETWEEN SECTION)
403	*	9752100269	0	KIT, REPAIR (RELIEF VALVE)
403	*	9752100270	0	KIT, REPAIR (SECTION)

\* REPAIR KIT AND/OR PART OF KIT  
 # SERVICED AS AN ASSEMBLY ONLY

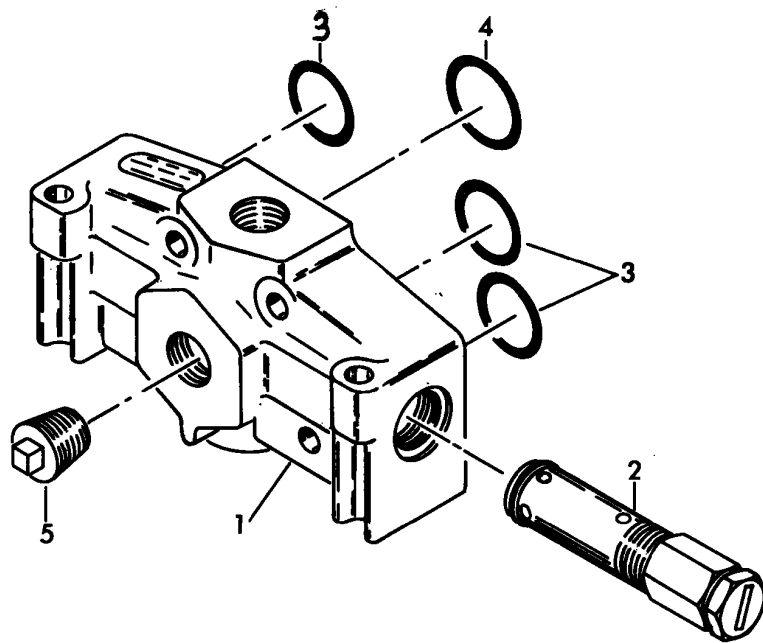
@ SECOND REPAIR KIT AND/OR PART OF 2ND KIT

# ***Manitowoc Crane Group***

Notes

---

# Manitowoc Crane Group



# Manitowoc Crane Group

Description  
**VALVE SECTION - INLET (A-35 SERIES)**

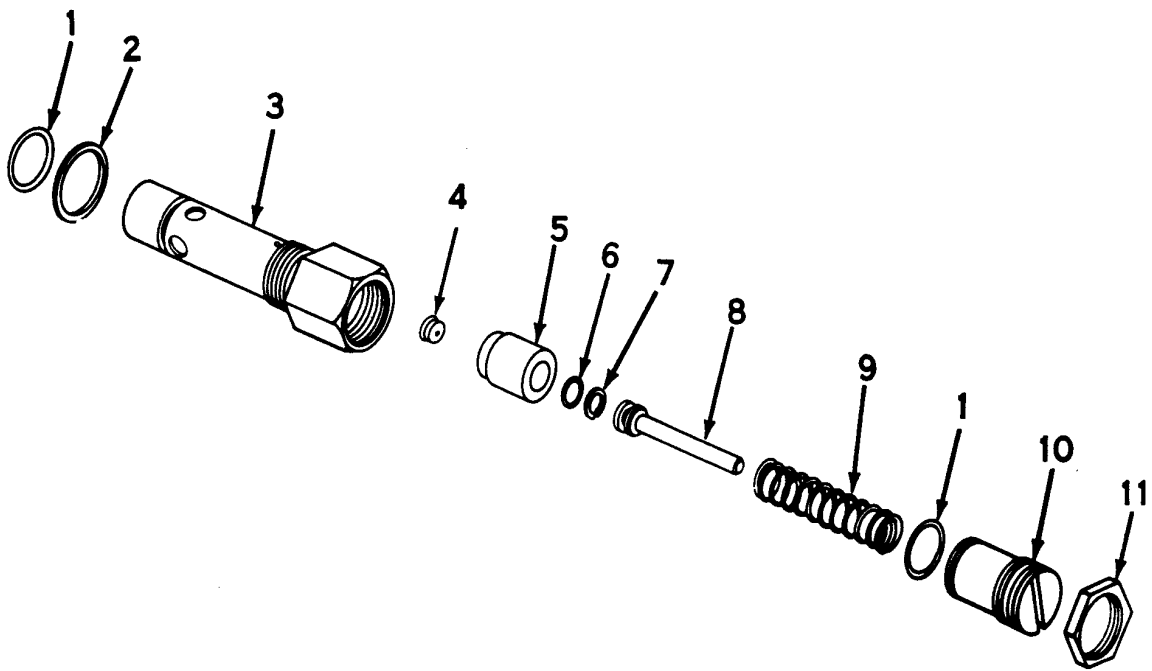
Assembly No.  
**7926000227**  
 Revision:

Item	FN	Part	Qty	Description
1	#	NS	1	NOT SERVICED HOUSING
2	+	9926101843	1	VALVE ASSEMBLY - RELIEF 2250 PSI
3	*	9926100721	3	O-RING
4	*	9926100723	1	O-RING
5		9926100674	1	PLUG
		9752100269	1	INCLUDES THE FOLLOWING PARTS KIT, REPAIR (RELIEF VALVE)
6	*	9752100268	1	KIT, REPAIR (BETWEEN SECTION)

# SERVICED AS AN ASSEMBLY ONLY  
 \* REPAIR KIT AND/OR PART OF KIT

+ SEE FURTHER BREAKDOWN THIS GROUP

# Manitowoc Crane Group



# Manitowoc Crane Group

Description  
**VALVE ASSEMBLY - RELIEF 2250 PSI**

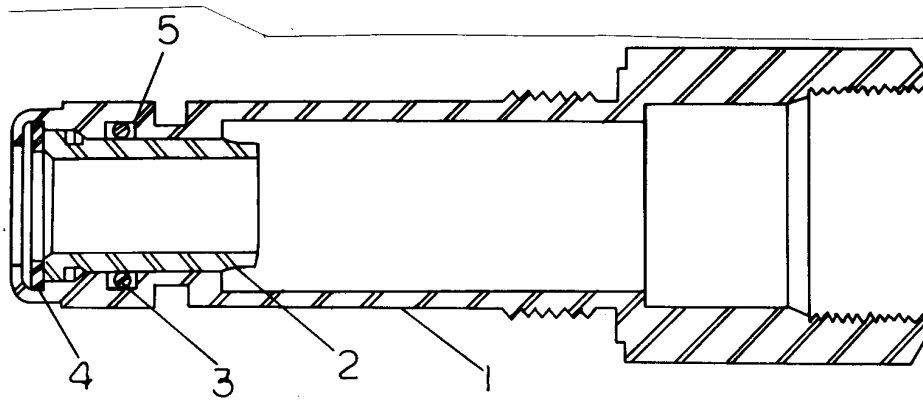
Assembly No.  
**9926101843**  
 Revision:

Item	FN	Part	Qty	Description
1	*	7755212000	2	O-RING
2		9926100697	1	WASHER,
3	+	9926100698	1	CARTRIDGE ASSEMBLY
4		9926100699	1	VALVE, CHECK
5		9926100700	1	SEAT, FLOATING
6	*	9926100701	1	O-RING
7	*	7755110609	1	RING, BACK-UP
8		9926100703	1	PLUNGER, DISPLACEMENT
9		9926101128	1	SPRING
10		9926100705	1	SCREW, SPRING ADJUSTING
11		9926100706	1	NUT, LOCKING
12	*	9752100269	1	KIT, REPAIR (RELIEF VALVE)

\* REPAIR KIT AND/OR PART OF KIT

+ SEE FURTHER BREAKDOWN THIS GROUP

# Manitowoc Crane Group





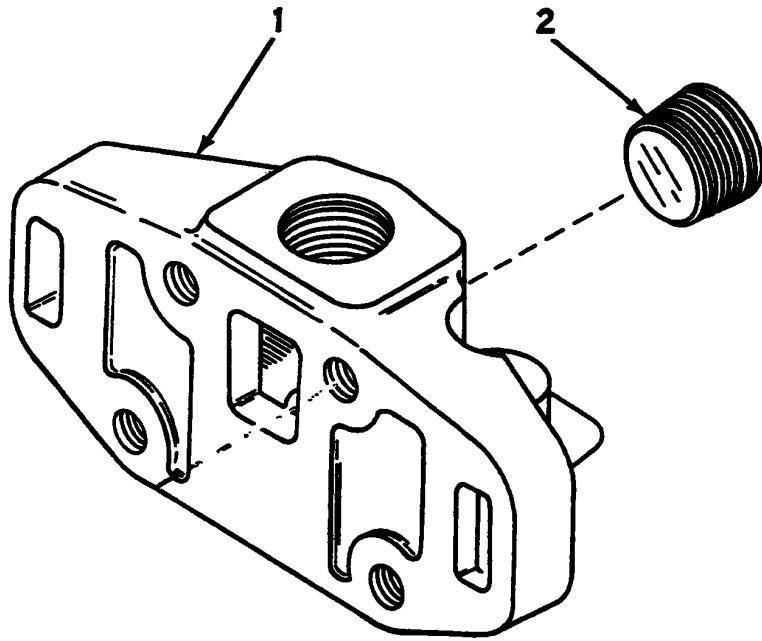
# Manitowoc Crane Group

Description  
**CARTRIDGE ASSEMBLY**

Assembly No.  
**9926100698**  
Revision:

Item	FN	Part	Qty	Description
1		9926101123	1	SHELL, CARTRIDGE
2		9926101124	1	POPPET
3		9926101126	1	O-RING
4		9926101127	1	RETAINER, POPPET
5		9926101125	1	RING, BACK-UP

# Manitowoc Crane Group



7926000229

(SHEET 1 OF 1)

36XXXe 144

# Manitowoc Crane Group

Description

**VALVE ASSEMBLY - OUTLET**

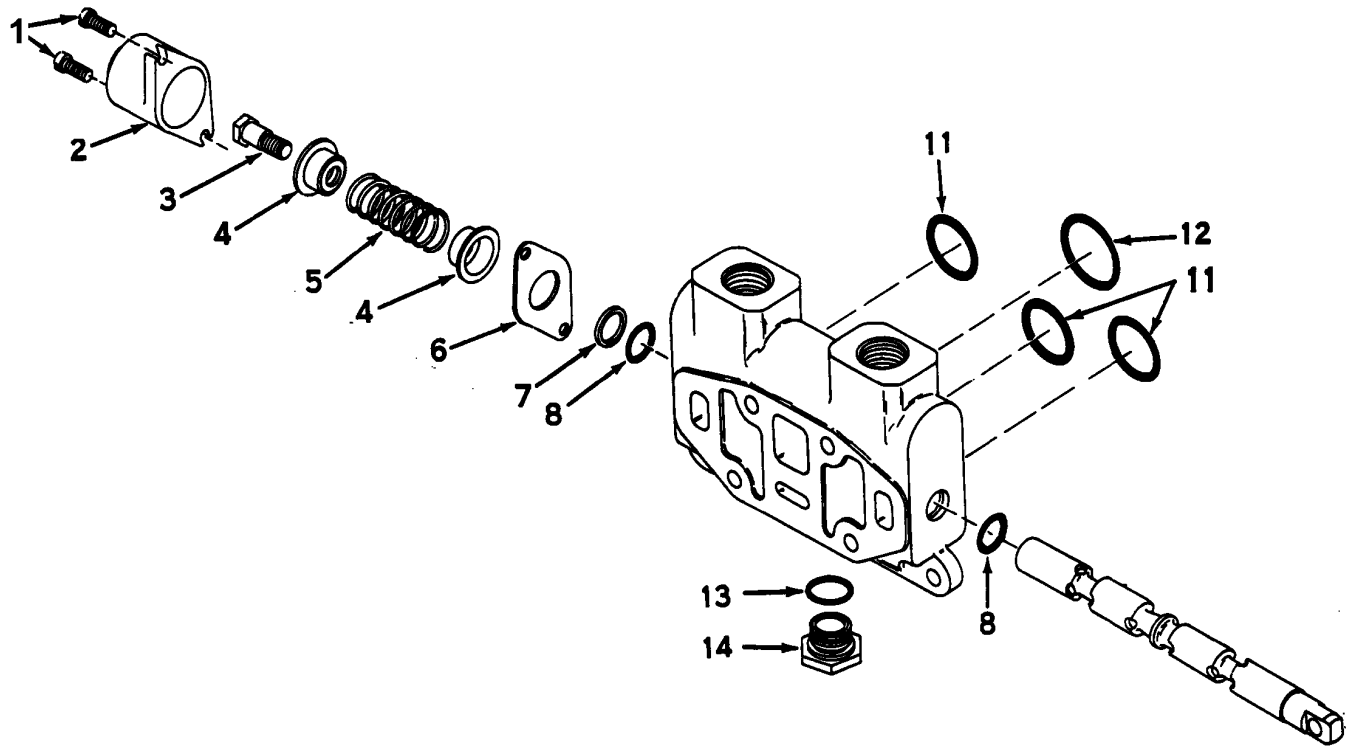
Assembly No.

**7926000229**

Revision:

Item	FN	Part	Qty	Description
1		NSS	1	HOUSING HOUSING
2		9926100842	1	PLUG

# Manitowoc Crane Group



# Manitowoc Crane Group

Description  
**VALVE ASSEMBLY - 4-WAY SECTION (A-35 SERIES)**

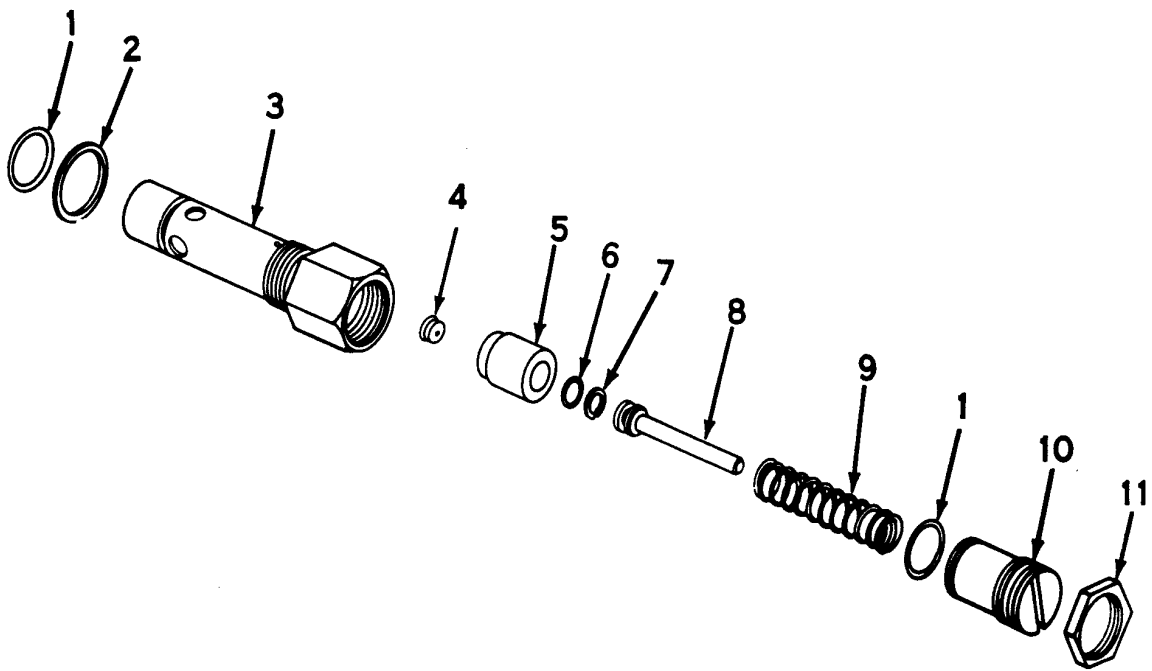
Assembly No.  
**7926000228**  
 Revision:

Item	FN	Part	Qty	Description
1		9926100650	2	SCREW
2		9926100651	1	CAP, VALVE
3		9926100652	1	CAP SCREW,
4		9926100653	2	GUIDE, SPRING
5		9926100654	1	SPRING, CAP
6		9926100655	1	PLATE, RETAINING
7		9926100714	1	RING, BACK-UP
8	*	7755212000	2	O-RING
11	@	9926100721	3	O-RING
12	@	9926100723	1	O-RING
13	*	7755216000	1	O-RING
14		9926100660	1	CAP, CHECK
15	@	9752100268	1	KIT, REPAIR (BETWEEN SECTION)
15	*	9752100270	1	KIT, REPAIR (SECTION)

\* REPAIR KIT AND/OR PART OF KIT

@ SECOND REPAIR KIT AND/OR PART OF 2ND KIT

# Manitowoc Crane Group



# Manitowoc Crane Group

Description  
**VALVE ASSEMBLY - RELIEF 2250 PSI**

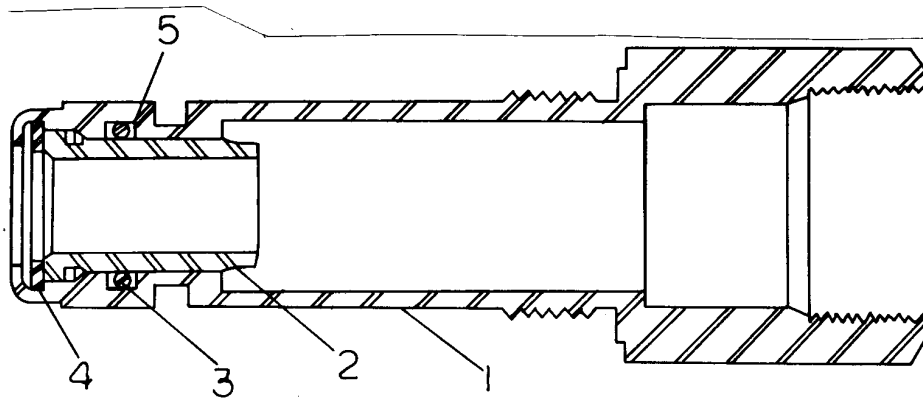
Assembly No.  
**9926101843**  
 Revision:

Item	FN	Part	Qty	Description
1	*	7755212000	2	O-RING
2		9926100697	1	WASHER,
3	+	9926100698	1	CARTRIDGE ASSEMBLY
4		9926100699	1	VALVE, CHECK
5		9926100700	1	SEAT, FLOATING
6	*	9926100701	1	O-RING
7	*	7755110609	1	RING, BACK-UP
8		9926100703	1	PLUNGER, DISPLACEMENT
9		9926101128	1	SPRING
10		9926100705	1	SCREW, SPRING ADJUSTING
11		9926100706	1	NUT, LOCKING
12	*	9752100269	1	KIT, REPAIR (RELIEF VALVE)

\* REPAIR KIT AND/OR PART OF KIT

+ SEE FURTHER BREAKDOWN THIS GROUP

# Manitowoc Crane Group





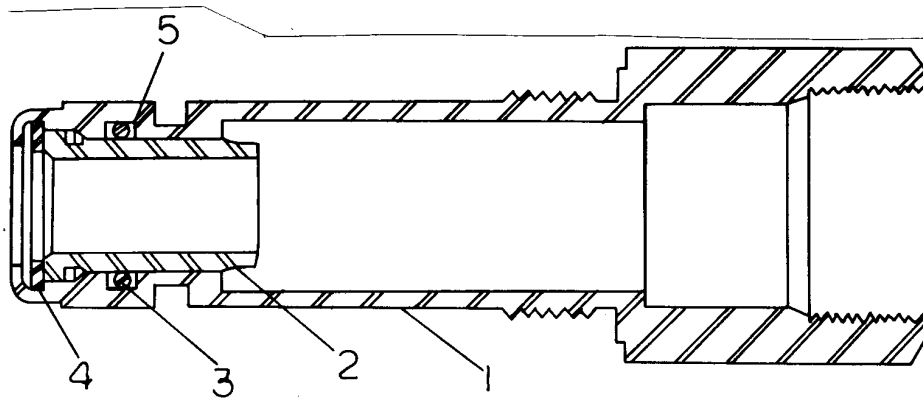
# Manitowoc Crane Group

Description  
**CARTRIDGE ASSEMBLY**

Assembly No.  
**9926100698**  
Revision:

Item	FN	Part	Qty	Description
1		9926101123	1	SHELL, CARTRIDGE
2		9926101124	1	POPPET
3		9926101126	1	O-RING
4		9926101127	1	RETAINER, POPPET
5		9926101125	1	RING, BACK-UP

# Manitowoc Crane Group



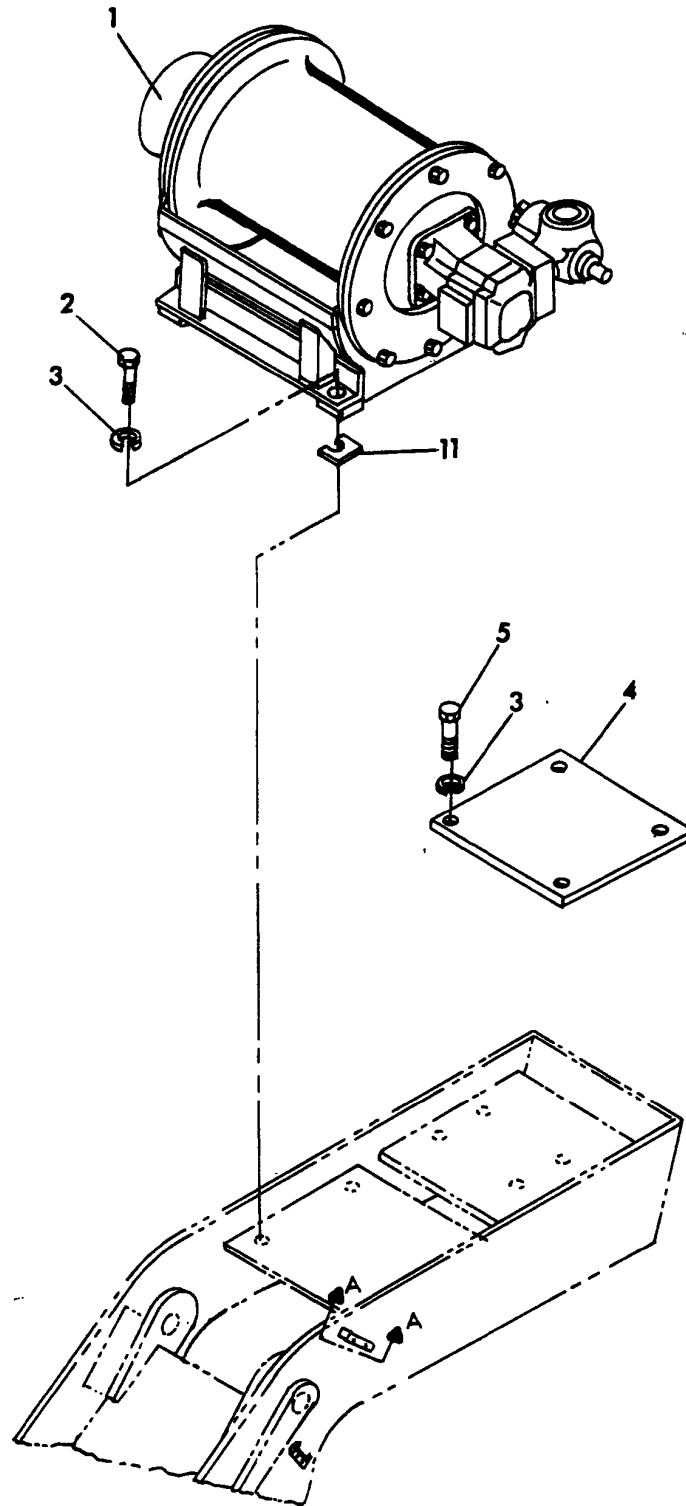
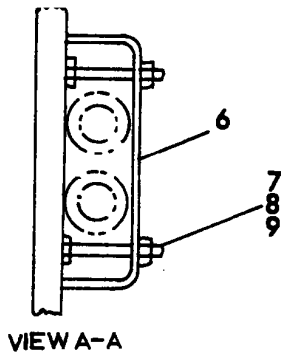
# Manitowoc Crane Group

Description  
**CARTRIDGE ASSEMBLY**

Assembly No.  
**9926100698**  
Revision:

Item	FN	Part	Qty	Description
1		9926101123	1	SHELL, CARTRIDGE
2		9926101124	1	POPPET
3		9926101126	1	O-RING
4		9926101127	1	RETAINER, POPPET
5		9926101125	1	RING, BACK-UP

# Manitowoc Crane Group



# Manitowoc Crane Group

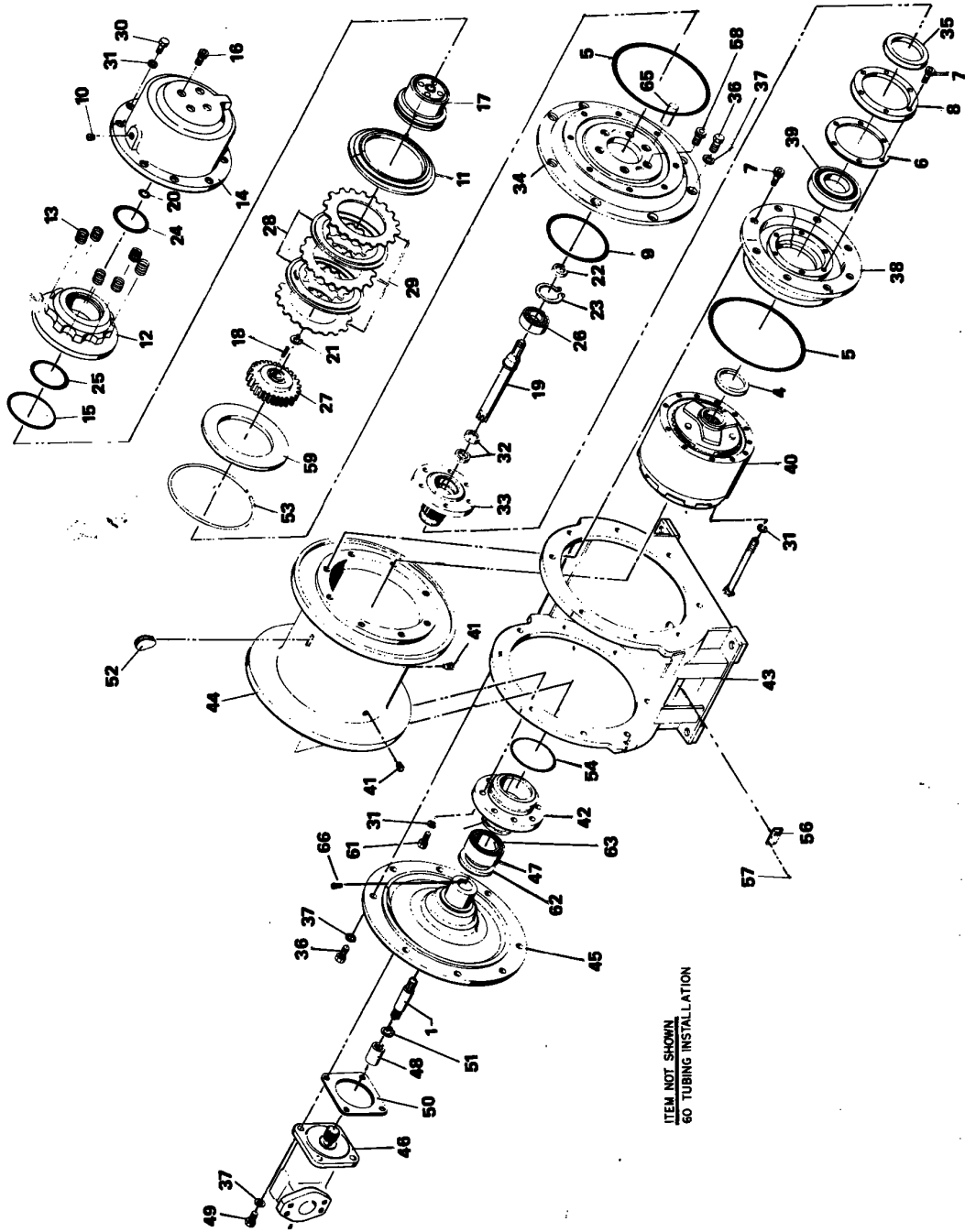
Description  
**HOIST INSTAL - GROVE MODEL 15A**

Assembly No.  
**6974000210**  
 Revision:

Item	FN	Part	Qty	Description
1	+	6974000202	1	HOIST ASSEMBLY - MODEL 15A-16
2		7115221850	4	CAP SCREW, 3/4" - 10 N.C. X 2 1/4" GRADE 5
3		7950220050	8	LOCKWASHER, 3/4" I.D.
4		4160200010	1	PLATE
5		7115222450	4	CAP SCREW, 3/4" - 10 N.C. X 3" GRADE 5
6		6300000108	2	CLAMP
7		7112162450	4	USE 7115162450 CAP SCREW 3/8" - 16 N.C. X 3"
8		7950160050	4	LOCKWASHER, 3/8" I.D.
9		7660160000	4	NUT, HEX 3/8" - 16 N.C.
11		6705004268	4	SHIM (.0359")

+ SEE FURTHER BREAKDOWN THIS GROUP

# Manitowoc Crane Group



# Manitowoc Crane Group

Description  
**HOIST ASSEMBLY - MODEL 15A-16**

Assembly No.  
**6974000202**  
 Revision: H

Item	FN	Part	Qty	Description
1		6810001043	1	SHAFT, INPUT
4		6910001261	1	SPACER
5	*	7755275000	2	O-RING
6	*	6794000262	1	GASKET
7		7110160805	14	CAP SCREW, 3/8" - 16 N.C. X 1" GRADE 1
8		6069000179	1	RETAINER, BEARING
9	*	7755259000	1	O-RING
10		7709000058	1	PLUG, PLASTIC 1/4" N.P.T.
11		6705001969	1	PLATE, PRESSURE
12		6372000833	1	CYLINDER, BRAKE
13		7834000075	6	SPRING, COMPRESSION
14		6547000069	1	HOUSING, BRAKE
15	*	7755427002	1	O-RING
16		7110181005	4	CAP SCREW, 1/2" - 13 N.C. X 1 1/4" GRADE 1
17		6701000097	1	PISTON, BRAKE
18		7569000012	1	KEY
19		6810001040	1	SHAFT, MAIN
20	*	7755115000	1	O-RING
21		7753000223	1	RING, SNAP
22		6910000948	1	SPACER
23		7753000225	1	RING, SNAP
24	*	7755154000	1	O-RING
25	*	7755347002	1	O-RING
26		7069000178	1	BEARING, BALL
27	#	7316000010	1	CLUTCH
28		7388000046	2	DISC, BRAKE
29		7388000039	3	DISC, BRAKE
30		7115161050	8	CAP SCREW, 3/8" - 16 N.C. X 1 1/4" GRADE 5
31		7950160050	28	LOCKWASHER, 3/8" I.D.

\* REPAIR KIT AND/OR PART OF KIT

# SERVICED AS AN ASSEMBLY ONLY

# Manitowoc Crane Group

Description  
**HOIST ASSEMBLY - MODEL 15A-16**

Assembly No.  
**6974000202**  
 Revision: H

Item	FN	Part	Qty	Description
32	*	7794000265	2	SEAL, OIL
33		6548000053	1	END, RH DRUM
34		6547000067	1	HOUSING, RIGHT HAND END
35	*	7794000264	1	SEAL, OIL
36		7115180950	16	CAP SCREW, 1/2" -13 N.C. X 1 1/8" GRADE 5
37		7950180050	20	LOCK WASHER, 1/2" I.D.
38		6400000053	1	DRUM, END
39		7069000194	1	BEARING, BALL
40	+	7490000047	1	GEAR REDUCTION ASSEMBLY
41		7440030031	2	PLUG, PIPE
42		6400000054	1	DRUM, END
43		6547000065	1	HOUSING ASSY, CENTER
44		6400000089	1	DRUM, CABLE
45		6547000068	1	HOUSING, LEFT HAND END
46	+	7632000032	1	MOTOR ASSEMBLY - HYDRAULIC
47		7069000219	1	BEARING, ROLLER
48		6364000389	1	COUPLING
49		7115181250	4	CAP SCREW, 1/2" - 13 N.C. X 1 1/2" GRADE 5
50	*	6794000263	1	GASKET, MOTOR
51		7753000420	1	RING, INTERNAL SNAP
52		6958000005	1	WEDGE, SPECIAL
53		7753000171	1	RING, SNAP
54	*	7755246000	1	O-RING
56		6705002402	1	NAMEPLATE
57		7790040404	4	SCREW, SELF-TAPPING 7/64" -40 N.C. X 1/4"
58		7110180805	6	CAP SCREW, 1/2" - 13 N.C. X 1" GRADE 1
59		6705002946	1	PLATE, BACKING
60	+	6974000276	1	TUBING INSTALLATION HOIST TUBING INSTALLATION

\* REPAIR KIT AND/OR PART OF KIT

+ SEE FURTHER BREAKDOWN THIS GROUP



# Manitowoc Crane Group

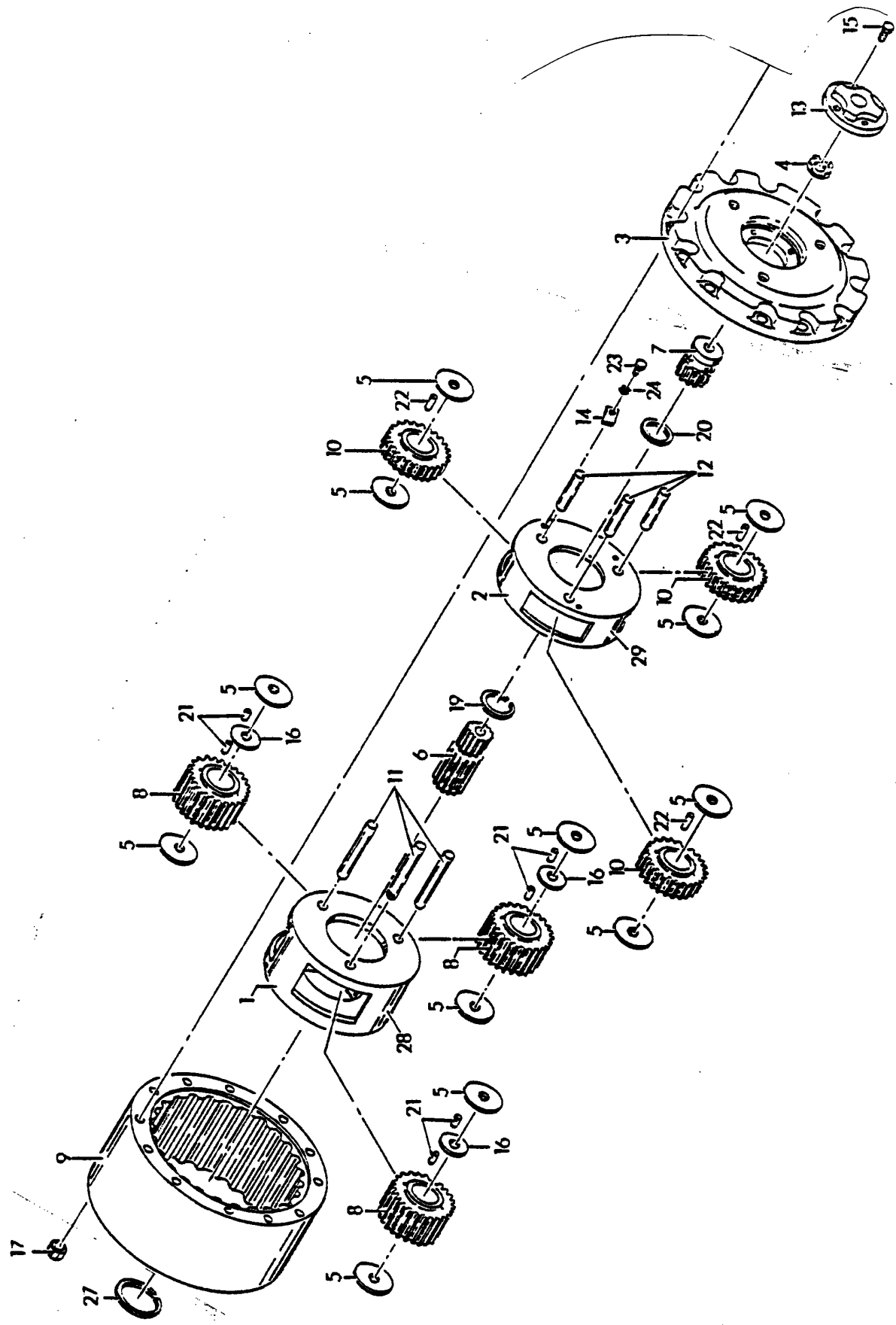
Description  
**HOIST ASSEMBLY - MODEL 15A-16**

Assembly No.  
**6974000202**  
 Revision: H

Item	FN	Part	Qty	Description
61		7115161250	8	CAP SCREW, 3/8" - 16 N.C. X 1 1/2" GRADE 5
62	*	7794000394	1	SEAL
63		7069000220	1	RACE, INNER
65		7690162024	2	PIN, DOWEL
66		7785140670	1	SET SCREW 1/4"-20 NC X 3/8"
67	*	9752100158	1	REPAIR KIT - HOIST

\* REPAIR KIT AND/OR PART OF KIT

# Manitowoc Crane Group



749000047

(SHEET 1 OF 1)

36XXXe 160

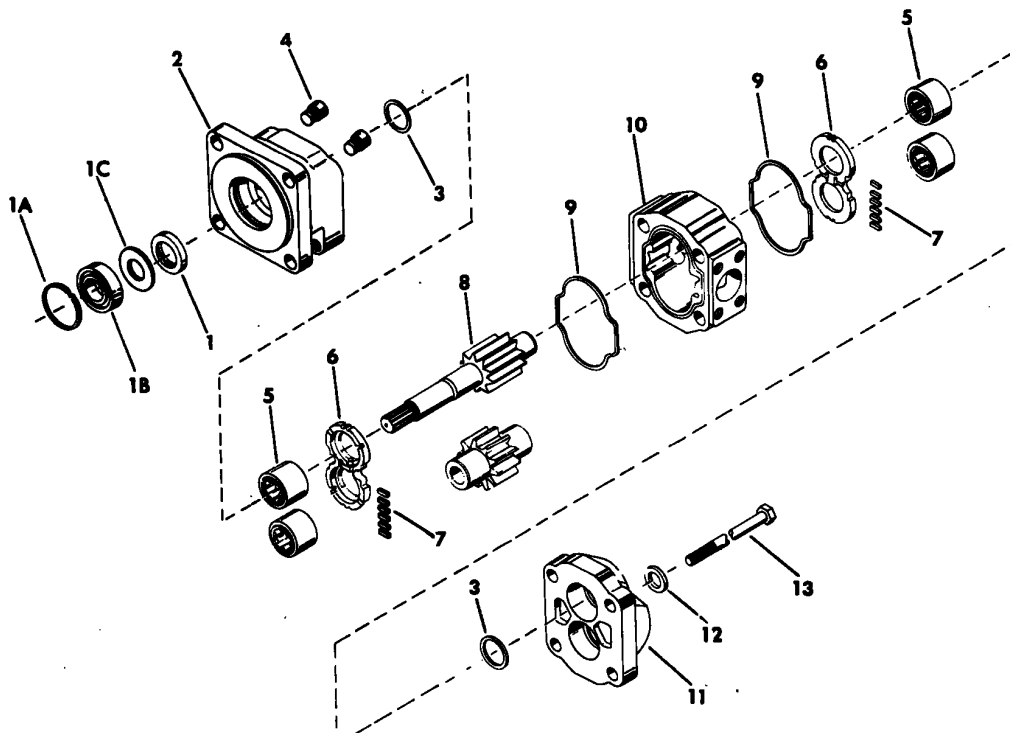
# Manitowoc Crane Group

Description  
**GEAR REDUCTION ASSEMBLY**

Assembly No.  
**749000047**  
 Revision:

Item	FN	Part	Qty	Description
1		9490100047	1	CARRIER
2		9490100048	1	CARRIER
3		9490100049	1	COVER
4		9490100050	1	WASHER,
5		9490100051	12	WASHER, THRUST
6		9490100052	1	GEAR
7		9490100053	1	GEAR
8		9490100054	3	GEAR
9		9490100055	1	GEAR
10		9490100056	3	GEAR
11		9490100057	3	PIN
12		9490100058	3	PIN
13		9490100059	1	COVER
14		9490100060	6	RETAINER
15		9490100061	4	OBSOLETE BY 7115150650
16		9490100062	3	SEPARATOR
17		9490100063	2	NUT, HEX
19		9490100064	1	RING, RETAINING
20		9490100065	1	RING, RETAINING
21		9490100066	96	ROLLER, NEEDLE
22		9490100067	48	ROLLER, NEEDLE
23		9490100068	6	OBSOLETE BY 7115160450
24		9490100069	6	OBSOLETE BY 7-950-160350
26		9490100070	12	CAP SCREW,
27		9490100071	1	RING, RETAINING
28		9490100072	1	OBSOLETE BY 9-490-100160 INCLUDES NBR 6, 8 AND 11
29		9490100073	1	OBSOLETE BY 9-490-100156 INCLUDES NBR 7, 10 AND 12

# Manitowoc Crane Group



# Manitowoc Crane Group

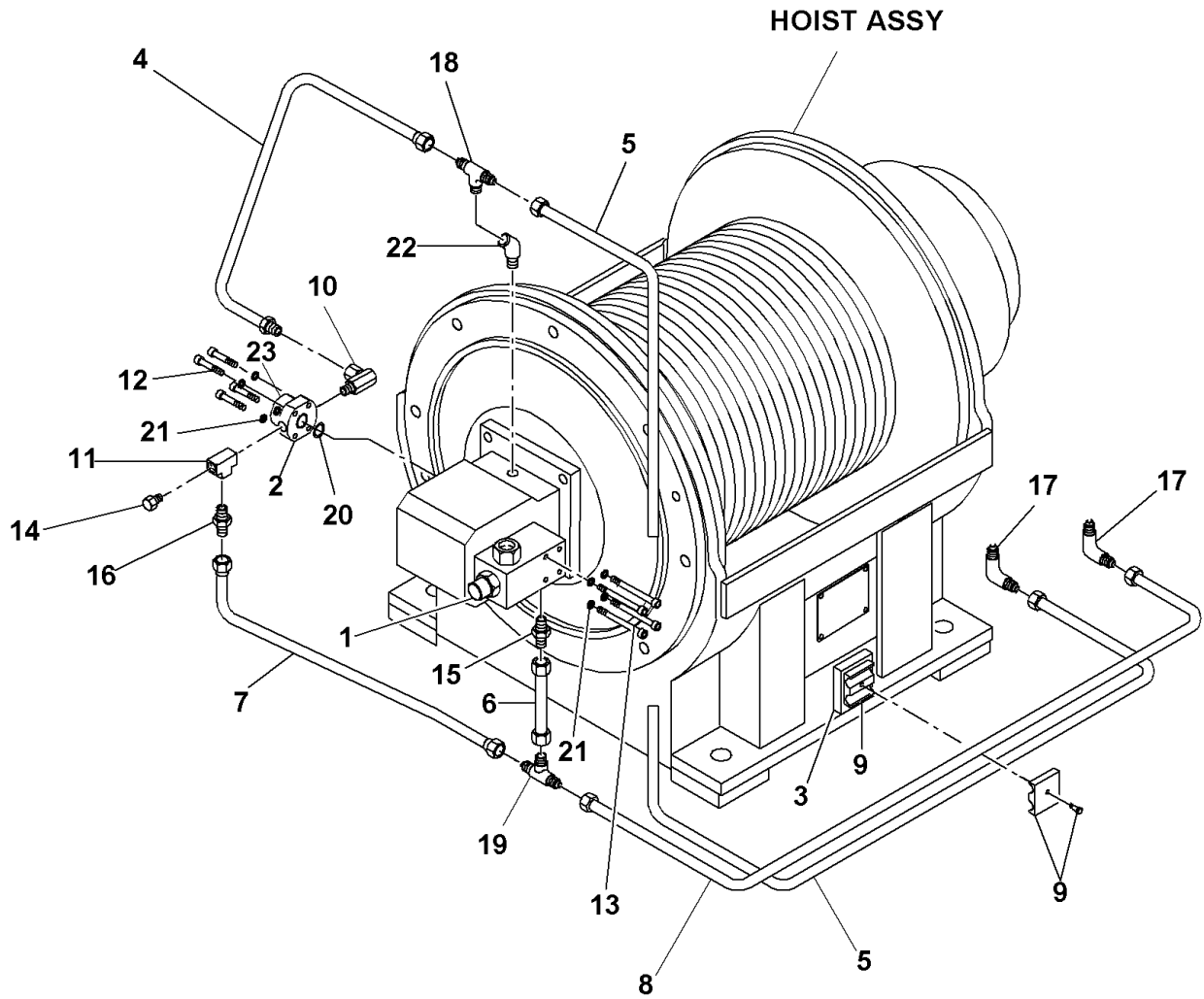
Description  
**MOTOR ASSEMBLY - HYDRAULIC**

Assembly No.  
**7632000032**  
 Revision:

Item	FN	Part	Qty	Description
1	*	9632100195	1	SEAL, SHAFT
1		9632100196	1	RING, SNAP
1		9632100197	1	BEARING
1		9632100198	1	RETAINER
2		9632100199	1	COVER, SHAFT END
3		9632100200	2	SEAL, RING
4		9722100120	2	VALVE, CHECK
5		9722100029	4	BEARING
6		9722100031	2	PLATE, THRUST
7	*	9632100201	1	SEAL, POCKET - 3" STRIP
8		9632100202	1	SHAFT & GEAR SET
9	*	9722100030	2	O-RING
10		9722100494	1	HOUSING, GEAR
11		9632100203	1	COVER, PORT END
12		9722100046	4	WASHER,
13		9722100497	4	CAP SCREW,
14	*	9752100248	1	KIT, REPAIR

\* REPAIR KIT AND/OR PART OF KIT

# Manitowoc Crane Group



# Manitowoc Crane Group

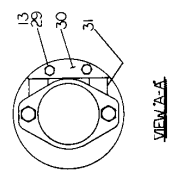
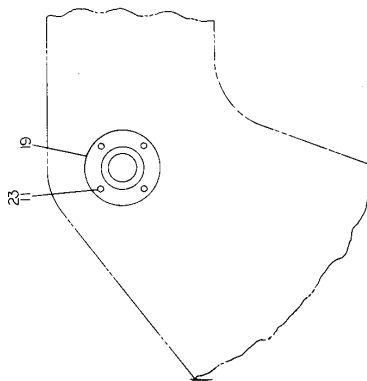
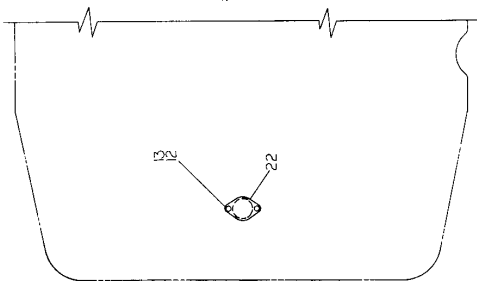
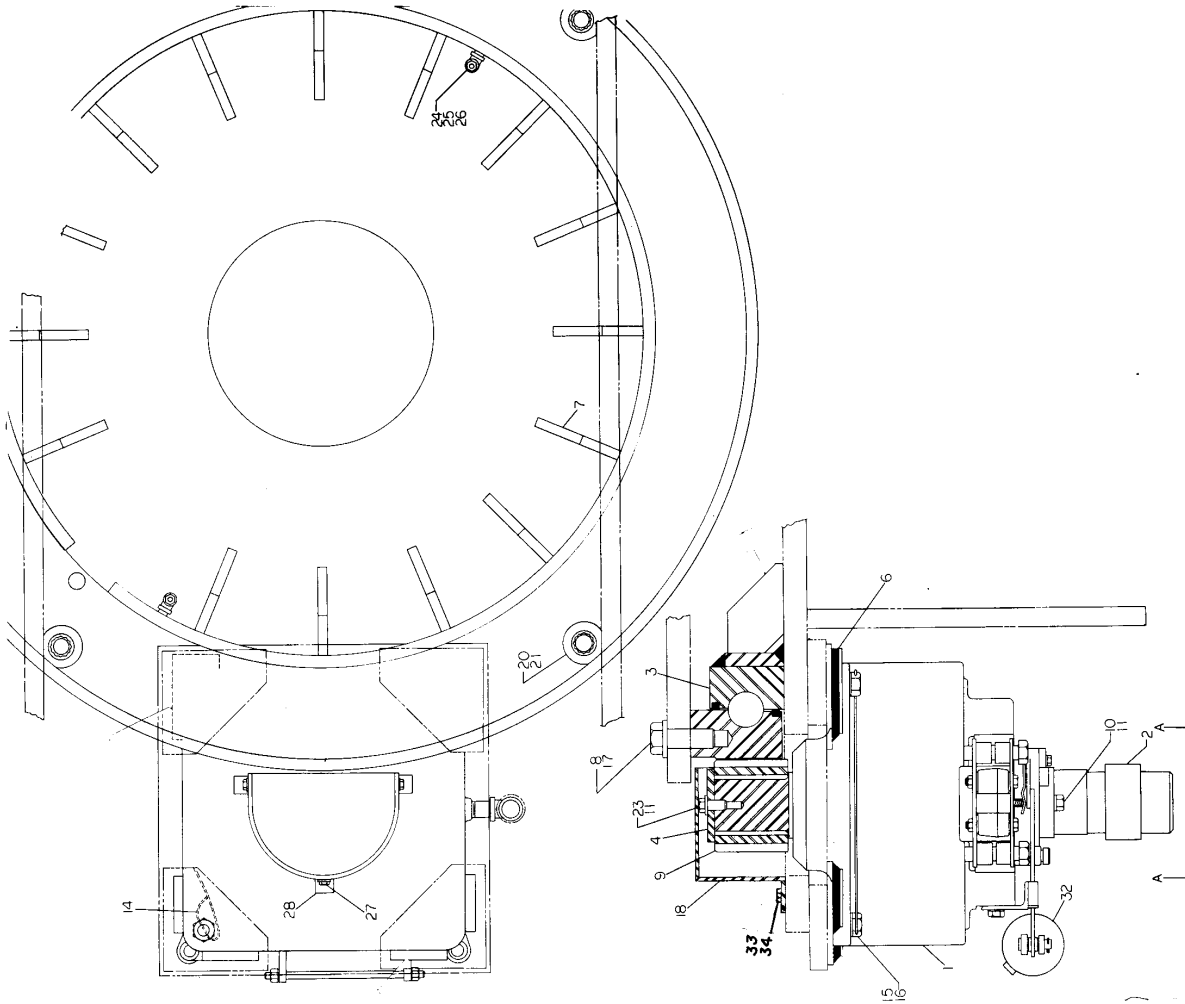
Description  
**TUBING INSTALLATION**

Assembly No.  
**6974000276**  
Revision: #

Item	FN	Part	Qty	Description
1	#	7926000773	1	VALVE ASSEMBLY - MOTOR CONTROL
2		6443000034	1	FITTING, O-RING
3		6705002456	1	PLATE
4		6910001704	1	TUBE
5		6910001705	1	TUBE
6		6910001714	1	TUBE
7		6910001715	1	TUBE
8		6910001716	1	TUBE
9		7300000119	1	CLAMP
10		7443000059	1	ADAPTER, SWIVEL
11		7888000033	1	TEE, SERVICE
12		7110171405	4	CAP SCREW, 7/16" - 14 N.C. X 1 3/4" GRADE 1
13		7110172805	4	7/16" - 14 N.C. X 3 1/2"
14		7444020016	1	PLUG, PIPE 1/4" N.P.T.
15		7445060219	1	ADAPTER, STRAIGHT
16		7445060419	1	ADAPTER, STRAIGHT MALE
17		7445060420	2	ELBOW, 90 DEGREE
18		7445060433	1	TEE
19		7445060637	1	TEE
20		7755222000	1	O-RING
21		7950170080	8	LOCKWASHER, 7/16" I.D.
22		7444020296	1	ELBOW, 45 DEGREE
23		7709000059	1	PLUG, PLASTIC

# SERVICED AS AN ASSEMBLY ONLY

# Manitowoc Crane Group



1. INSTALL BOLTS (ITEM#29) TO A SNUG TIGHTNESS
2. DRIVE WEDGE PLATES (ITEM#31) TIGHT & WELD TO ITEM#30 - OMIT WELD IN AREA OF LOCKWASHER. (ITEM#13)
3. WRENCH TIGHTEN BOLTS.

VIEW A-A

2160200041



# Manitowoc Crane Group

Description  
**DRIVE INSTALLATION - TURNTABLE AND**

Assembly No.  
**2160200041**  
 Revision:

Item	FN	Part	Qty	Description
1	+	6176000216	1	BOX ASSEMBLY - SWING
2	+	7632000041	1	MOTOR ASSEMBLY - ORBIT
3		7069000125	1	BEARING
		9069100038	2	INCLUDES THE FOLLOWING PARTS SEAL,18 FT
3		7069000253	1	BEARING
4		6258000277	1	CAP, END
8		7949000238	14	WASHER, HARDENED ROUND
9		6490000041	1	PINION, DRIVE
10		7115181250	2	CAP SCREW, 1/2" - 13 N.C. X 1 1/2" GRADE 5
11		7950180050	11	LOCK WASHER, 1/2" I.D.
12		7115160850	2	CAP SCREW, 3/8" - 16 N.C. X 1" GRADE 5
13		7950160050	4	LOCKWASHER, 3/8" I.D.
14		6978000257	1	WIRE, SAFETY
15		6099000155	4	CAP SCREW, SAFETY WIRE
16		6949000185	4	FLATWASHER
17		7118262250	14	CAP SCREW, 1" - 8 N.C. X 2 3/4" GRADE 8
18		2160800242	1	PINION GUARD WELD
19		2115200014	2	BEARING
		7199000399	1	INCLUDES THE FOLLOWING PARTS BUSHING, BRASS
20		4160200011	4	WASHER, REWORK FLAT
21		7118262419	4	SCREW, COUNTER BORE 1" - 8 NC X 3" GRD 8
22		6258000005	1	COVER
23		7115180850	9	CAP SCREW, 1/2" - 13 N.C. X 1" GRADE 5
24		6650010060	2	NIPPLE PIPE
25		7444000160	2	ELBOW, 90 DEGREE
29		7115161050	2	CAP SCREW, 3/8" - 16 N.C. X 1 1/4" GRADE 5

+ SEE FURTHER BREAKDOWN THIS GROUP

# Manitowoc Crane Group

Description  
**DRIVE INSTALLATION - TURNTABLE AND**

Assembly No.  
**2160200041**  
 Revision:

Item	FN	Part	Qty	Description
30		6705001787	1	PLATE, STOP
31		6705001786	2	PLATE, WEDGE
32	+	6188000049	1	BRAKE ASSEMBLY - SWING
33		7115140650	3	CAP SCREW, 1/4" - 20 N.C. X 3/4" GRADE 5
34		7950140050	2	LOCKWASHER, 1/4" I.D.

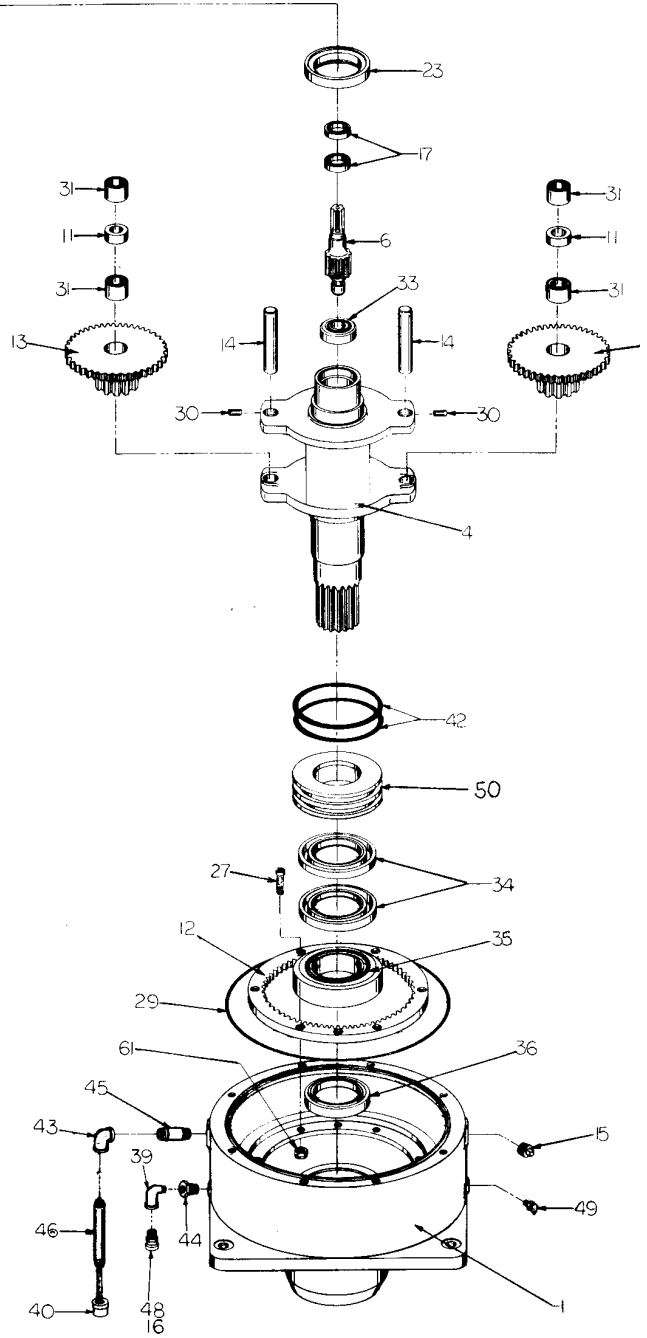
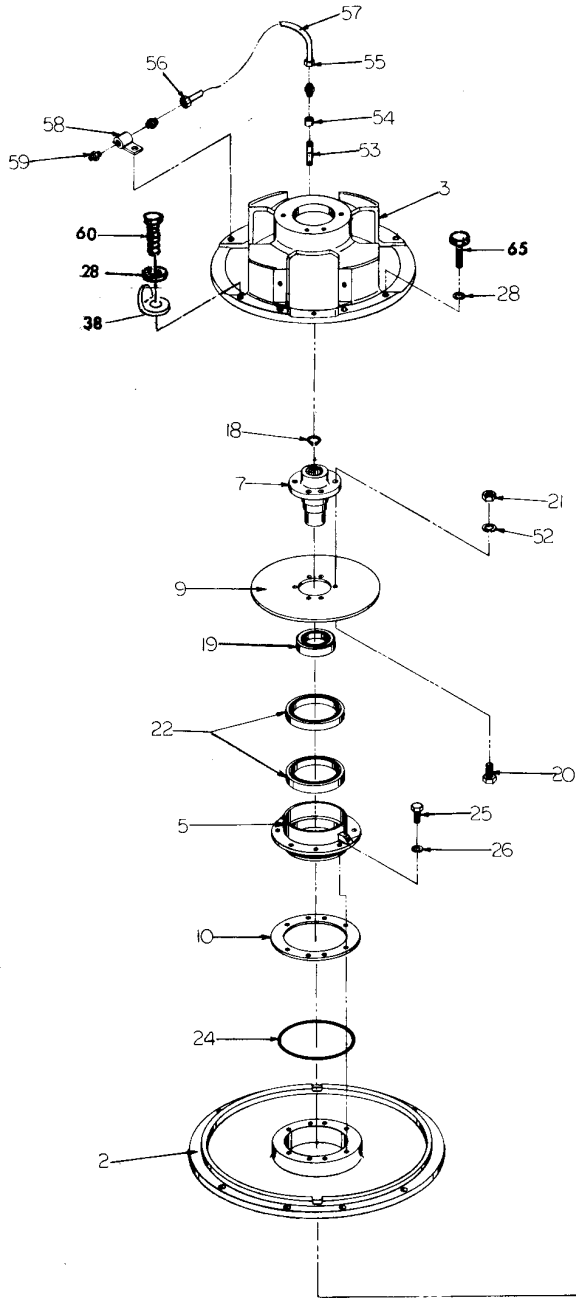
+ SEE FURTHER BREAKDOWN THIS GROUP

# ***Manitowoc Crane Group***

Notes

---

# Manitowoc Crane Group



6176000216

(SHEET 1 OF 1)

36XXe 170

# Manitowoc Crane Group

Description

**BOX ASSEMBLY - SWING**

Assembly No.

**6176000216**

Revision:

Item	FN	Part	Qty	Description
1		6547000086	1	HOUSING, GEAR
2		6258000253	1	COVER, GEAR HOUSING
3		6869000123	1	SUPPORT, MOTOR
4		6250000010	1	PLANET CAGE AND SHAFT
5		6910000949	1	SPACER
6		6810001044	1	PINION AND SHAFT
7		6364000390	1	COUPLING
9		6176000076	1	DISC, BRAKE
10		6705002675	1	SHIM,
11		6910000951	2	SPACER
12		6490000039	1	GEAR, INTERNAL
13		6490000040	2	PLANET GEAR AND PINION
14		6810001045	2	SHAFT, PLANET
15		7444040021	1	PLUG, PIPE 1/2" N.P.T.
16		7444010010	1	PLUG, PIPE 1/8" N.P.T.
17		7794000267	2	SEAL, PINION AND SHAFT
18		7753000230	1	RING, INTERNAL RETAINING
19		7069000108	1	BEARING
20		7115140650	6	CAP SCREW, 1/4" - 20 N.C. X 3/4" GRADE 5
21		7660140008	6	NUT, HEX 1/4" - 20 N.C.
22		7794000268	2	SEAL
23		7069000109	1	BEARING, PLANET CAGE AND SHAFT
24		7755247000	1	O-RING, RETURN FILTER
25		7115150750	8	CAP SCREW, 5/16" - 18 N.C. X 7/8" GRADE 5
26		7950150050	8	LOCKWASHER, 5/16" I.D.
27		7110181605	8	CAP SCREW, 1/2" - 13 N.C. X 2" GRADE 1
28		7950180050	8	LOCK WASHER, 1/2" I.D.
29		6755644507	1	CORD, O-RING

# Manitowoc Crane Group

Description

**BOX ASSEMBLY - SWING**

Assembly No.

**6176000216**

Revision:

Item	FN	Part	Qty	Description
30		7690141445	2	PIN, ROLL 1/4" X 7/8"
31		7069000111	4	BEARING, PLANET SHAFT, SWING BOX
33		7069000107	1	BEARING
34		7794000269	2	SEAL
35		7069000181	1	BEARING
36		7794000270	1	SEAL
38		6608000234	2	LUG, LIFTING
39		7444010170	1	ELBOW, 90 DEGREE STREET
40		6486000675	1	DIPSTICK USE ON 24 IND,RT48/49, RT58/58A,RT59P/60
40		6486000677	1	DIPSTICK USE ON IND 68 AND 1012
40		6486000674	1	DIPSTICK USE ON RT60S
42		7755358000	2	O-RING
43		7444000460	1	ELBOW, 90 DEGREE
44		7444040150	1	BUSHING, HEX REDUCING
45		6650040160	1	NIPPLE, 1/2"
46		6650040640	1	PIPE 1/2" USE ON ALL MODELS EXCEPT RT48/49,RT58/58A
46		6650040720	1	NIPPLE USE ON RT48/49,RT58/58A, RT59P/60,36 IND
46		6650041040	1	NIPPLE USE ON IND 68 AND 1012 ONLY
48	#	7934000007	1	VENT, AIR
49		7440000400	1	FITTING, 90 DEGREE GREASE
50		6794000266	1	RETAINER, SEAL
52		7950140050	6	LOCKWASHER, 1/4" I.D.
53		6649000037	1	NIPPLE
54		7444000140	1	COUPLING
55		7364000034	1	CONNECTOR, MALE USE ON RT59S/60S,

# SERVICED AS AN ASSEMBLY ONLY

# Manitowoc Crane Group

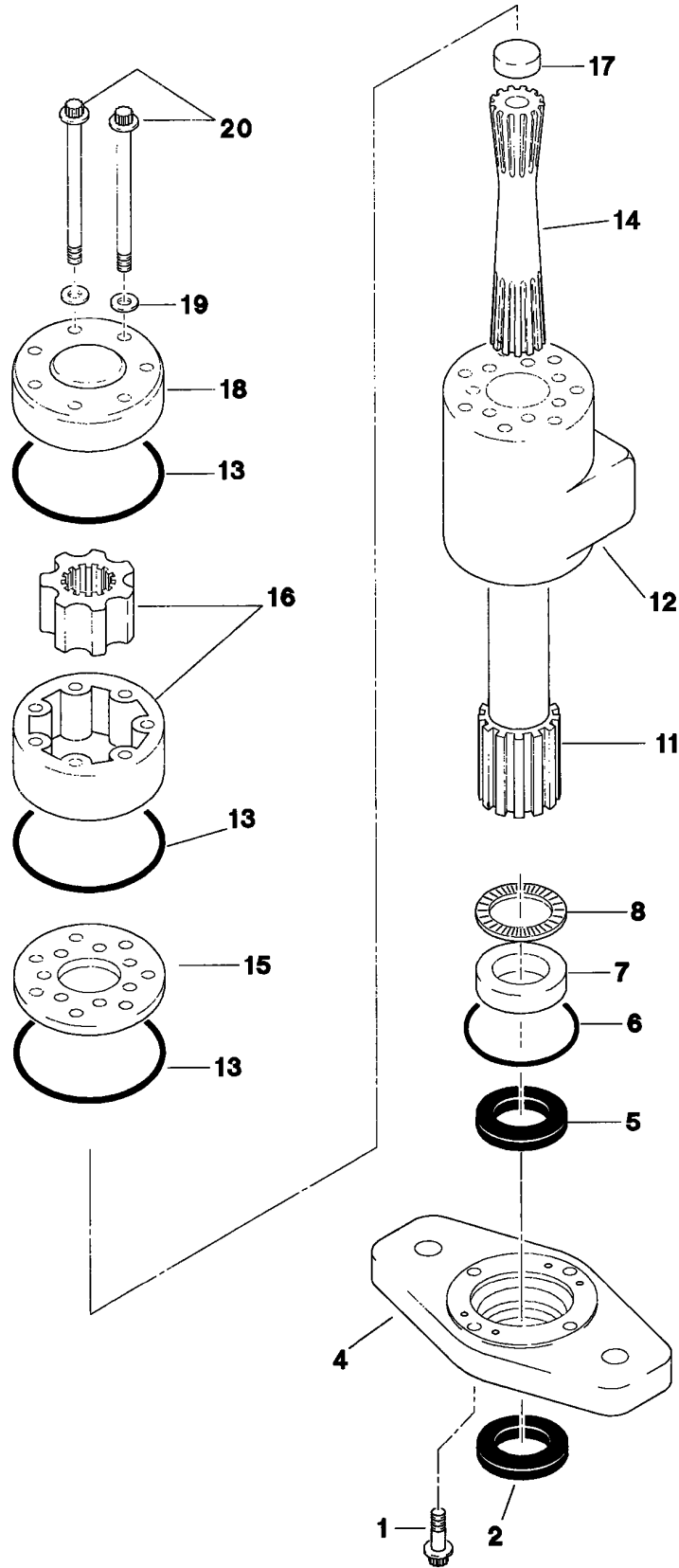
Description  
**BOX ASSEMBLY - SWING**

Assembly No.  
**6176000216**  
 Revision:

Item	FN	Part	Qty	Description
55		<b>7444010010</b>	1	TM155/180,TMS100/155/180, TM100C,TD155/180,RT59P PLUG, PIPE 1/8" N.P.T. USE ON RT48/49,RT58/58A, RR60,IND 36,68 AND 1012
56	%	<b>7364000052</b>	1	CONNECTOR
57	%	<b>6911040961</b>	1	TUBE USE 9910100014 QTY 1 TUBE 1 FOOT
58	%	<b>6184000269</b>	1	BRACKET USE ON RT59P
59	%	<b>7440010000</b>	1	FITTING, STRAIGHT GREASE 1/4" N.P.T.
60		<b>7115181850</b>	2	CAP SCREW, 1/2" - 13 N.C. X 2 1/4" GRADE 5
61		<b>7660181703</b>	8	LOCKNUT 1/2"-13 NC - GRD C
62		<b>7790040404</b>	4	SCREW, SELF-TAPPING 7/64" -40 N.C. X 1/4"
63		<b>6705002402</b>	1	NAMEPLATE
65		<b>7115181650</b>	6	CAP SCREW,1/2"-13UNCX2"GRADE 5

% SEE NOTE AT END OF LIST

# Manitowoc Crane Group



7632000041

(SHEET 1 OF 1)

36XXXe 174



# Manitowoc Crane Group

Description

**MOTOR ASSEMBLY - ORBIT**

Assembly No.

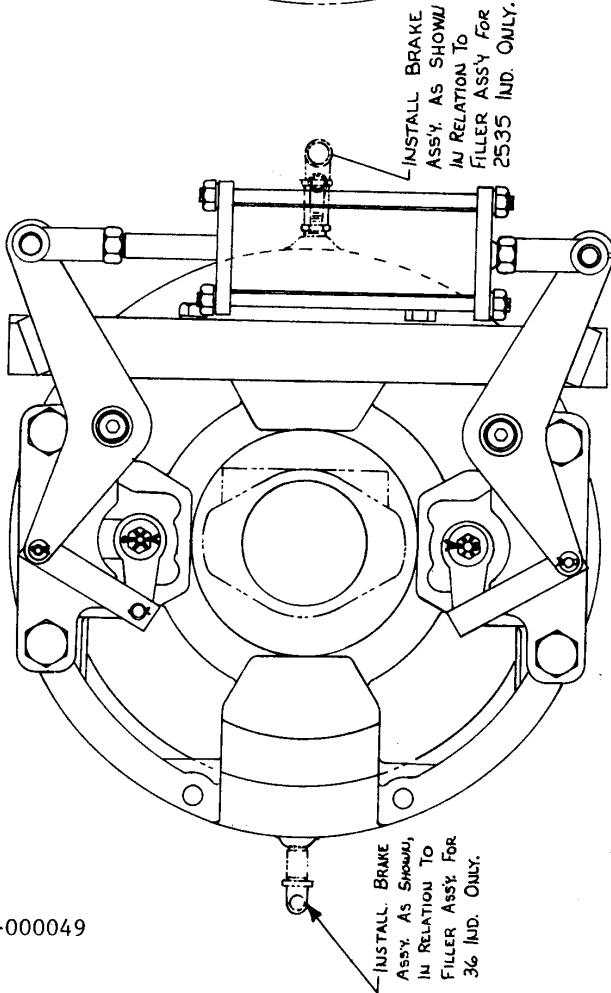
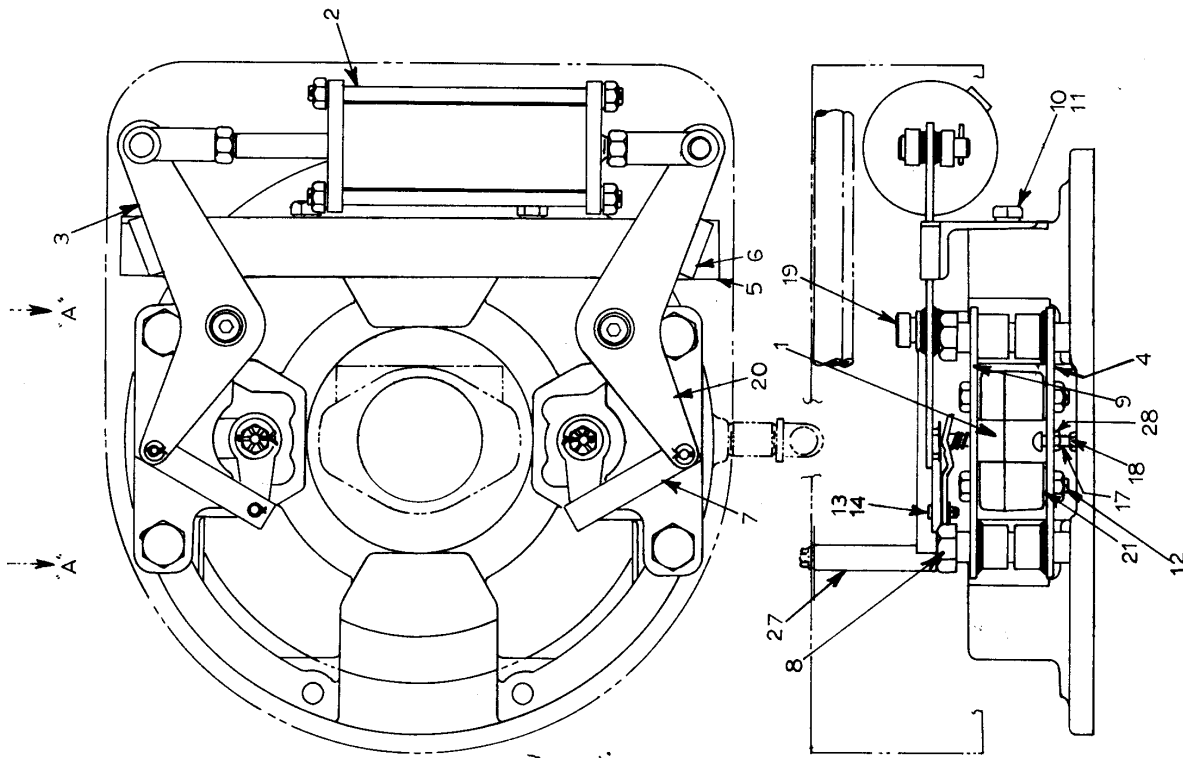
**7632000041**

Revision:

Item	FN	Part	Qty	Description
1		9632100046	4	CAP SCREW, 5/16" -24 N.F. X 7/8"
2	*	9632100256	1	SEAL, DUST
4		9632100257	1	FLANGE
5	*	9632100258	1	SEAL
6	*	9632100006	1	O-RING
7		9632100259	1	RACE, BEARING
8		9632100260	1	BEARING, NEEDLE
11		9632100261	1	SHAFT, SPLINE SPLINED
12		9632100262	1	HOUSING 1/2" NPTF PORTS
13	*	9632100058	3	O-RING
14		9632100015	1	DRIVE
15		9632100263	1	PLATE, SPACER
16		9632100268	1	GEROTOR SET
17		9632100269	1	SPACER (.480")
18		9632100266	7	CAP, END
19	*	9632100052	7	WASHER,
20		9632100142	1	SCREW
21	*	9632100267	1	REPAIR KIT - ORBIT MOTOR

\* REPAIR KIT AND/OR PART OF KIT

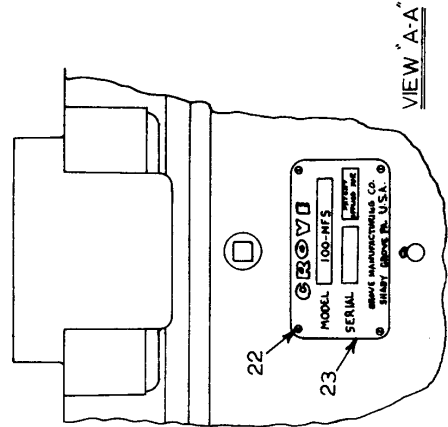
# Manitowoc Crane Group



INSTALL BRAKE  
ASSY. AS SHOWN/  
IN RELATION TO  
FILLER ASSY. FOR  
2535 IND. ONLY.

INSTALL BRAKE  
ASSY. AS SHOWN,  
IN RELATION TO  
FILLER ASSY. FOR  
36 IND. ONLY.

6-188-000049



VIEW 'A-A'

FOR 36 & 2535 IND.  
AS NOTED

# Manitowoc Crane Group

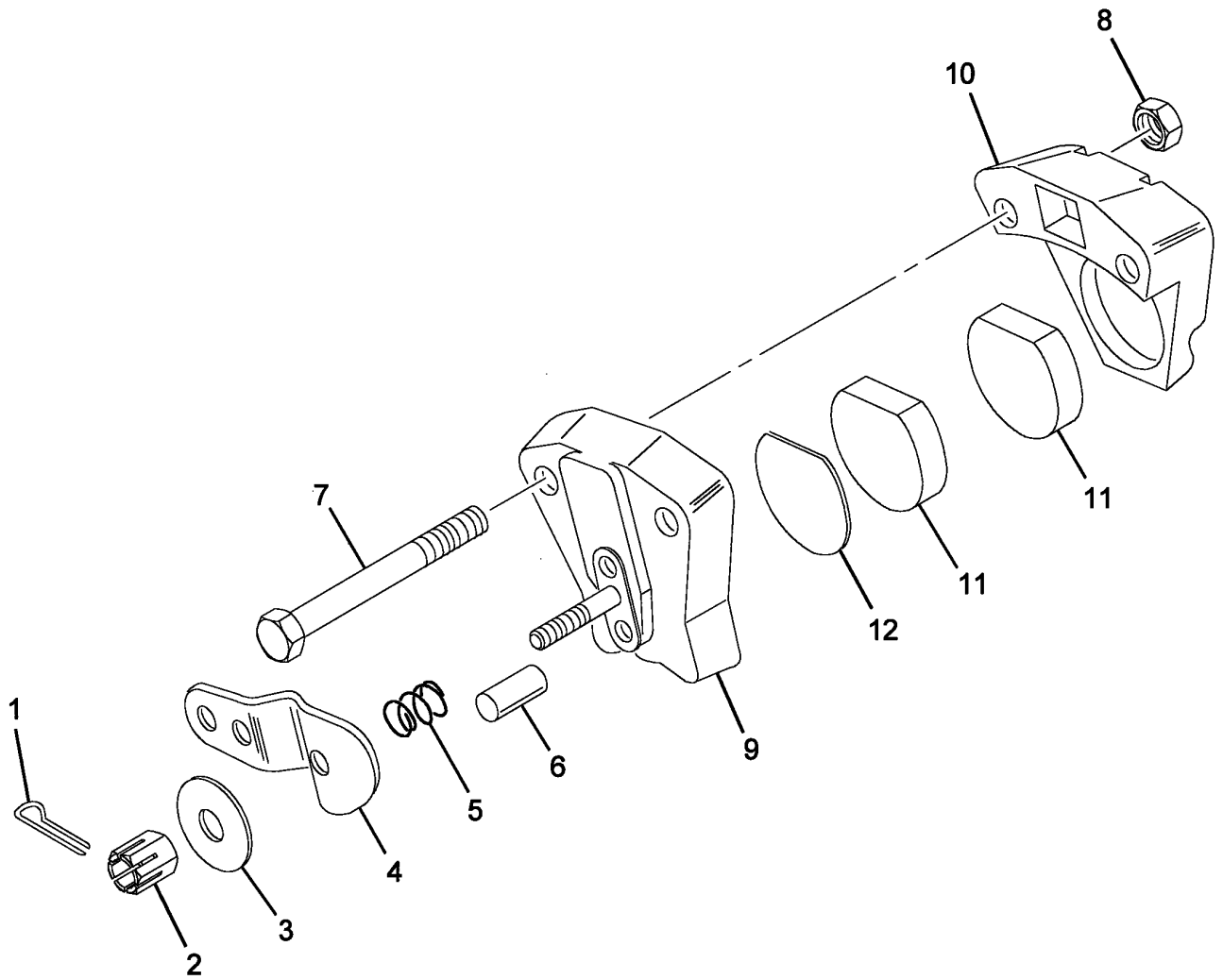
Description  
**BRAKE ASSEMBLY - SWING**

Assembly No.  
**6188000049**  
 Revision:

Item	FN	Part	Qty	Description
1	+	7188000024	2	BRAKE ASSEMBLY - DISC
2	+	6372000839	1	CYLINDER ASSEMBLY - SWING BRAKE RELEASE
3		6593000077	1	LEVER, RIGHT HAND BRAKE
4		6705002677	2	PLATE, BOTTOM MOUNTING
5		6184000337	1	BRACKET
6		6570241200	2	STOCK, KEY
7		6601000056	2	LINK WELD
8		6099000153	4	CAP SCREW,
9		6705002678	2	PLATE, MOUNTING
10		7115160650	2	CAP SCREW, 3/8" - 16 N.C. X 3/4" GRADE 5
11		7950160050	2	LOCKWASHER, 3/8" I.D.
12		7105162250	4	CAP SCREW, 3/8" -24 N.F. X 2 3/4" GRADE 5
13		7950120161	6	FLATWASHER, 7/32" I.D.
14		7690001210	4	PIN, COTTER 1/16" X 3/4"
17		7111141010	2	SCREW, MACHINE 1/4" - 20 N.C. X 1 1/4" GRADE 1
18		7660140200	2	NUT, HEX JAM 1/4" - 20 N.C.
19		7110201206	2	SCREW, SHOULDER 5/8" - 11 N.C. X 1 1/2" GRADE 1
20		6593000078	1	LEVER, LEFT HAND BRAKE
21		7950160141	8	WASHER, 3/8" PLAIN NARROW
27		6864000094	4	STUD, SHOULDERED USED ONLY WHEN GEAR BOX IS FLOOR MOUNTED
28		7660141600	2	LOCKNUT, HEX 1/4" - 20 N.C.

+ SEE FURTHER BREAKDOWN THIS GROUP

# Manitowoc Crane Group



718800024

(SHEET 1 OF 1)

36XXXe 178

# Manitowoc Crane Group

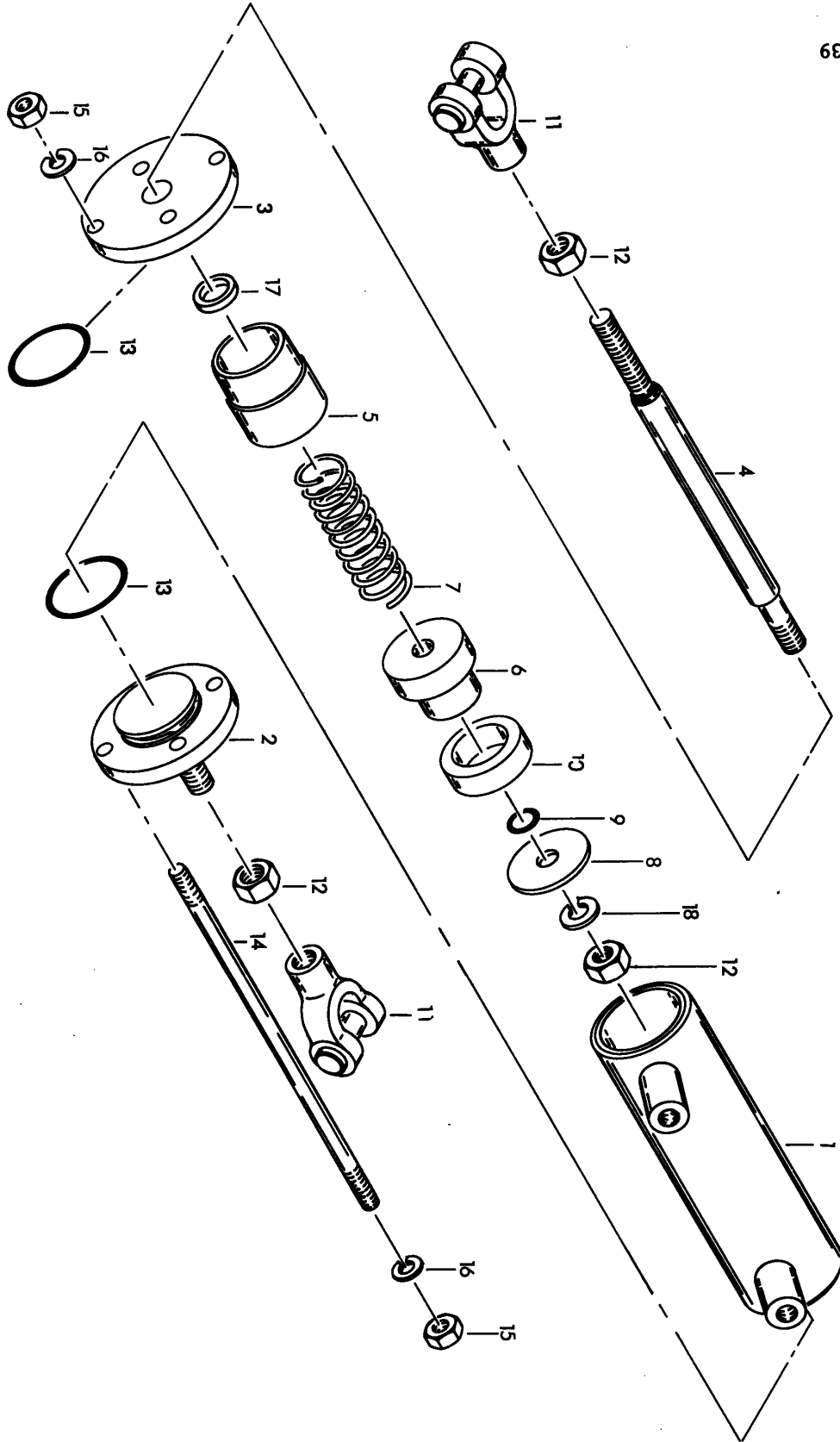
Description  
**BRAKE ASSEMBLY - DISC**

Assembly No.  
**7188000024**  
 Revision:

Item	FN	Part	Qty	Description
1		7690001610	1	PIN, COTTER 1/16" X 1"
2		7660150531	1	NUT, CASTLE 5/16"-24 NF
3		9188100067	1	WASHER,
4		9188100068	1	LEVER, CAM
5		9188100069	1	SPRING
6		9188100070	2	PIN,PUSH
7		7105162250	2	CAP SCREW, 3/8" -24 N.F. X 2 3/4" GRADE 5
8		7660160030	2	NUT, HEX 3/8" - 24 N.F.
9		9188100073	1	CASTING, CAMSIDE
10		9188100074	1	CASTING
11		7671000057	2	PAD, FRICTION 1 5/8" DIA.
11		9188100087	2	PAD, FRICTION 1 1/8" (MEASURE PAD DIAMETER BEFORE ORDERING)
12		6705002595	1	PLATE, BACKING

# Manitowoc Crane Group

6680



6372000839

(SHEET 1 OF 1)

36XXXe 180

# Manitowoc Crane Group

Description  
**CYLINDER ASSEMBLY - SWING BRAKE RELEASE**

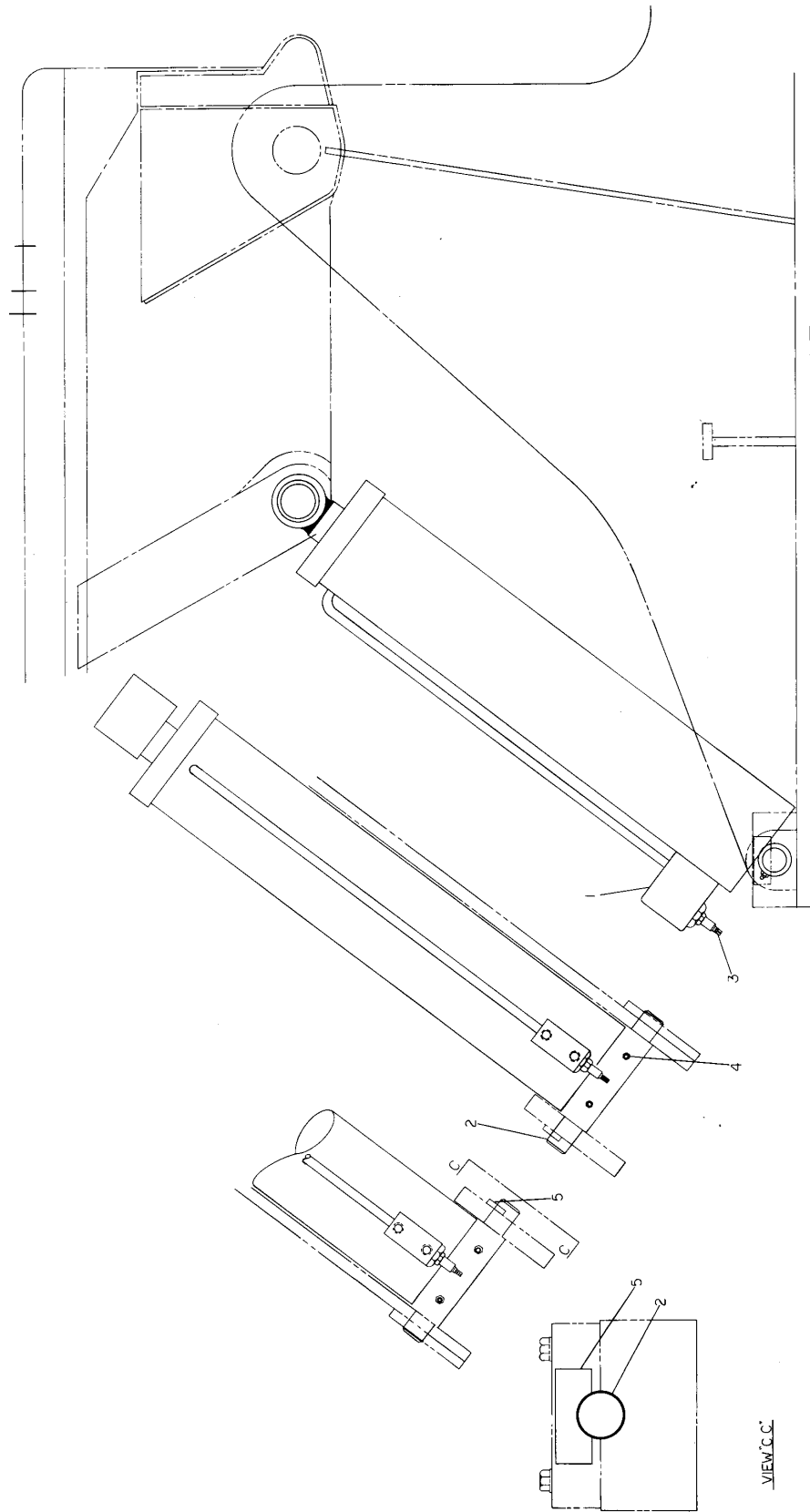
Assembly No.  
**6372000839**  
 Revision: **E**

Item	FN	Part	Qty	Description
1		6372000714	1	BARREL, CYLINDER
2		6705000253	1	PLATE, END-BASE
3		6372000716	1	HEAD, CYLINDER
4		6810001000	1	SHAFT
5		6910000689	1	SPACER
6		6701000019	1	PISTON, CYLINDER
7		7834000053	1	SPRING
8		6949000081	1	WASHER,
9	*	7754000711	1	O-RING, LOW TEMPERATURE
10	*	7794000211	1	SEAL
11		7308000007	2	YOKE
				INCLUDES THE FOLLOWING PARTS
		7690052010	1	PIN, COTTER
		7690182200	1	PIN, CLEVIS
12		7660180030	3	NUT, HEX 1/2" - 20 N.F.
13	*	7755131000	2	O-RING
14		6768000168	4	BOLT, TIE
15		7660160030	8	NUT, HEX 3/8" - 24 N.F.
16		7950160050	8	LOCKWASHER, 3/8" I.D.
17	*	7794000232	1	SEAL, ROD
18	#	7950180350	1	LOCK WASHER, 1/2" I.D.
19	*	9752100123	1	KIT, REPAIR

\* REPAIR KIT AND/OR PART OF KIT

# SERVICED AS AN ASSEMBLY ONLY

# Manitowoc Crane Group



2-157-2-00028

2157200028

(SHEET 1 OF 1)

36XXXe 182



# Manitowoc Crane Group

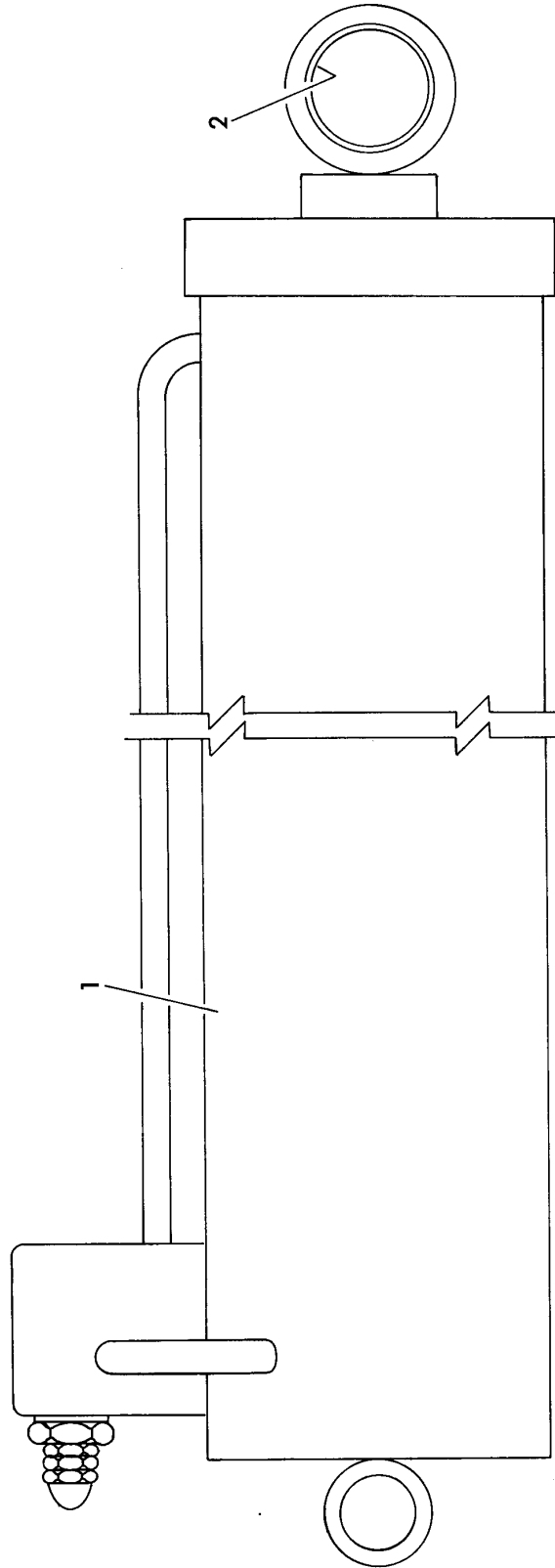
Description  
**LIFT CYLINDER AND HOLDING VALVE INSTALLATION**

Assembly No.  
**2157200028**  
 Revision: **B**

Item	FN	Part	Qty	Description
1	+	2155200004	2	CYLINDER ASSEMBLY - 8 1/4" LIFT
2		6810000969	2	SHAFT
3		7926000491	2	HOLDING VAL W/VENT SPRING INCLUDES THE FOLLOWING PARTS
		9752100160	1	KIT, REPAIR
4		7440000000	4	FITTING-GREASE
5		6705001446	4	SHIM,

+ SEE FURTHER BREAKDOWN THIS GROUP

# Manitowoc Crane Group



2155200004

(SHEET 1 OF 1)

36XXXe 184

# Manitowoc Crane Group

Description  
**CYLINDER ASSEMBLY - 8 1/4" LIFT**

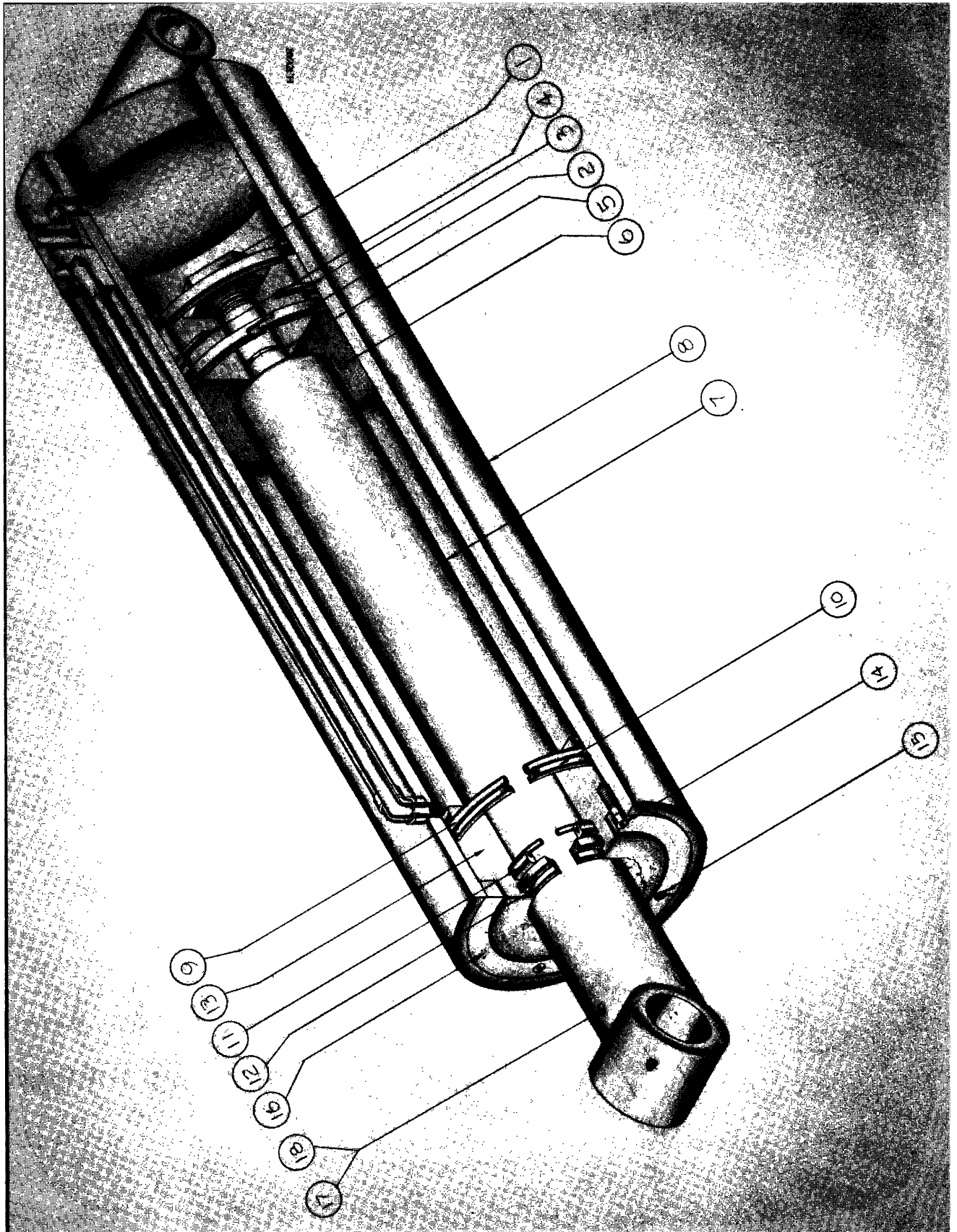
Assembly No.  
**2155200004**  
 Revision: **F**

Item	FN	Part	Qty	Description
1	+=	7372000247	1	CYLINDER ASSEMBLY - LIFT
1	+=	7372000417	1	CYLINDER ASSEMBLY - 8 1/4" LIFT
1	+=	7372001118	1	CYLINDER ASSEMBLY - LIFT
1	+	7372000417	1	CYLINDER ASSEMBLY - 8 1/4" LIFT
1	+	7372001118	1	CYLINDER ASSEMBLY - LIFT
2		7199000399	1	BUSHING, BRASS

+ SEE FURTHER BREAKDOWN THIS GROUP

= REFER TO MCI FOR APPLICABLE NUMBER

# Manitowoc Crane Group



7372000247

(SHEET 1 OF 1)

36XXXe 186

# Manitowoc Crane Group

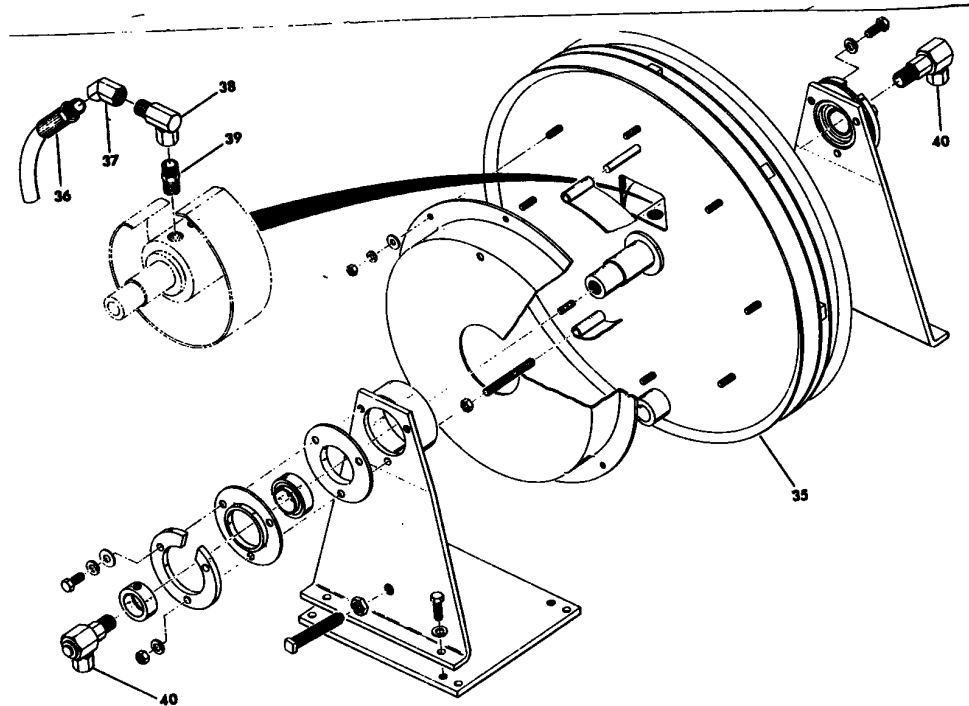
Description  
CYLINDER ASSEMBLY - LIFT

Assembly No.  
**7372000247**  
Revision:

Item	FN	Part	Qty	Description
1		9372100230	1	NUT, CLAMP
2		9372100014	2	RING, PISTON
3	*	9372100003	1	O-RING AND SEAL
4	*	9372100003	1	O-RING AND SEAL
5	*	9372100006	1	O-RING
6		9372100002	1	PISTON
7		9372100231	1	SHAFT
8		9372100232	1	CASE
9	*	9372100008	1	O-RING
10	*	9372100017	1	WASHER, BACK-UP
11	*	9372100233	1	O-RING AND U-CUP SEAL
12	*	9372100011	1	SEAL, WIPER
13		9372100234	1	HEAD
14		9372100010	2	CAP SCREW,
15		9372100013	1	PLUG, EXPANDER
16		9372100012	1	RING, THREAD
17	*	9752100027	1	KIT, REPAIR

\* REPAIR KIT AND/OR PART OF KIT

# Manitowoc Crane Group



673800065

(SHEET 1 OF 1)

36XXXe 188

# Manitowoc Crane Group

Description

**REEL ASSEMBLY - HOSE**

Assembly No.

**6738000065**

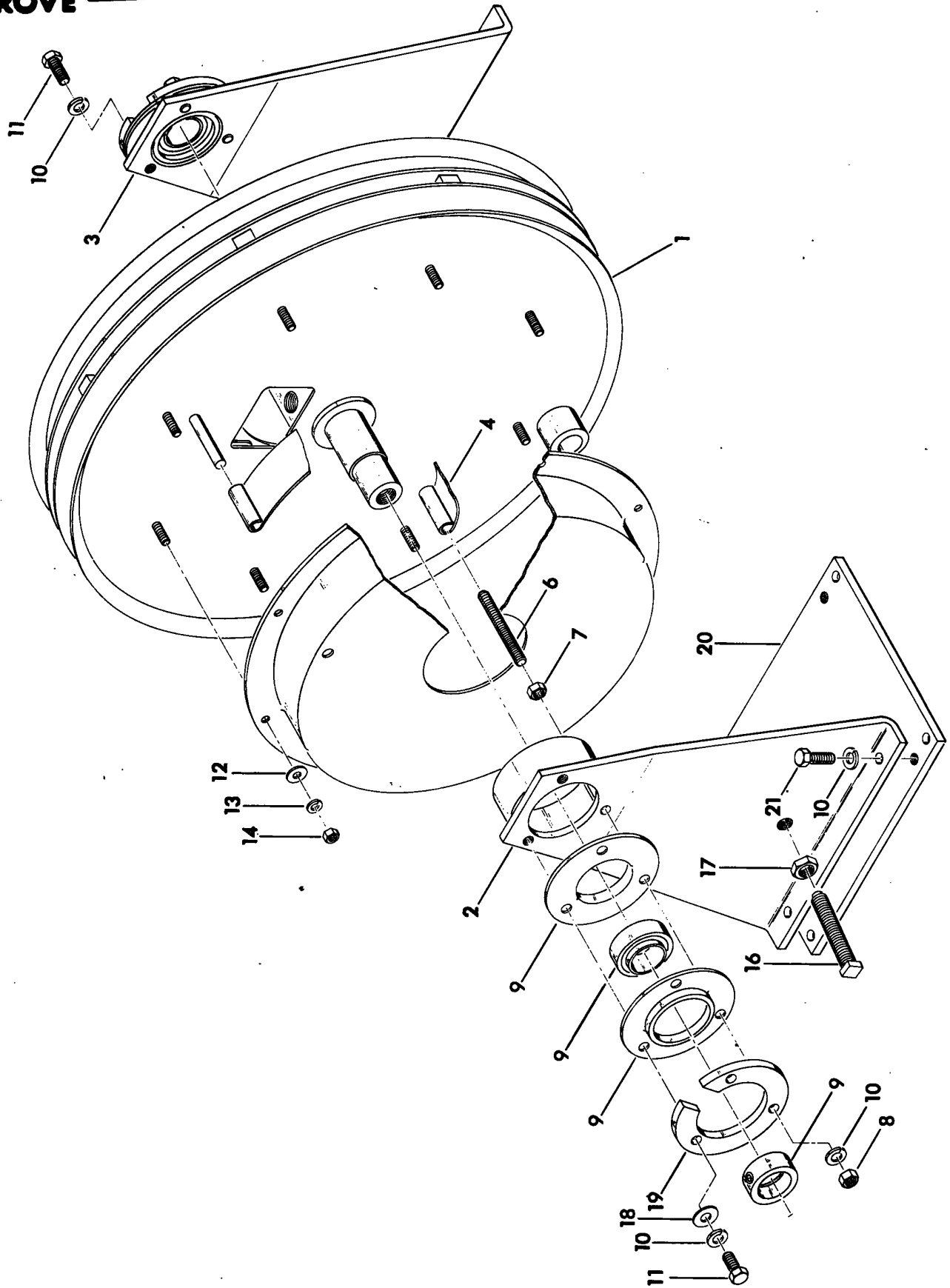
Revision: **A**

Item	FN	Part	Qty	Description
35	+	6738000064	1	REEL ASSEMBLY - HOSE
36		7545232420	2	HOSE ASSY
37		6406000160	2	ELBOW
38		6364000855	2	ADAPTER
39		7013000346	2	ADAPTER
40		7364000022	2	JOINT, SWIVEL

+ SEE FURTHER BREAKDOWN THIS GROUP

# Manitowoc Crane Group

ROVE



673800064

(SHEET 1 OF 1)

36XXXe 190



# Manitowoc Crane Group

Description

**REEL ASSEMBLY - HOSE**

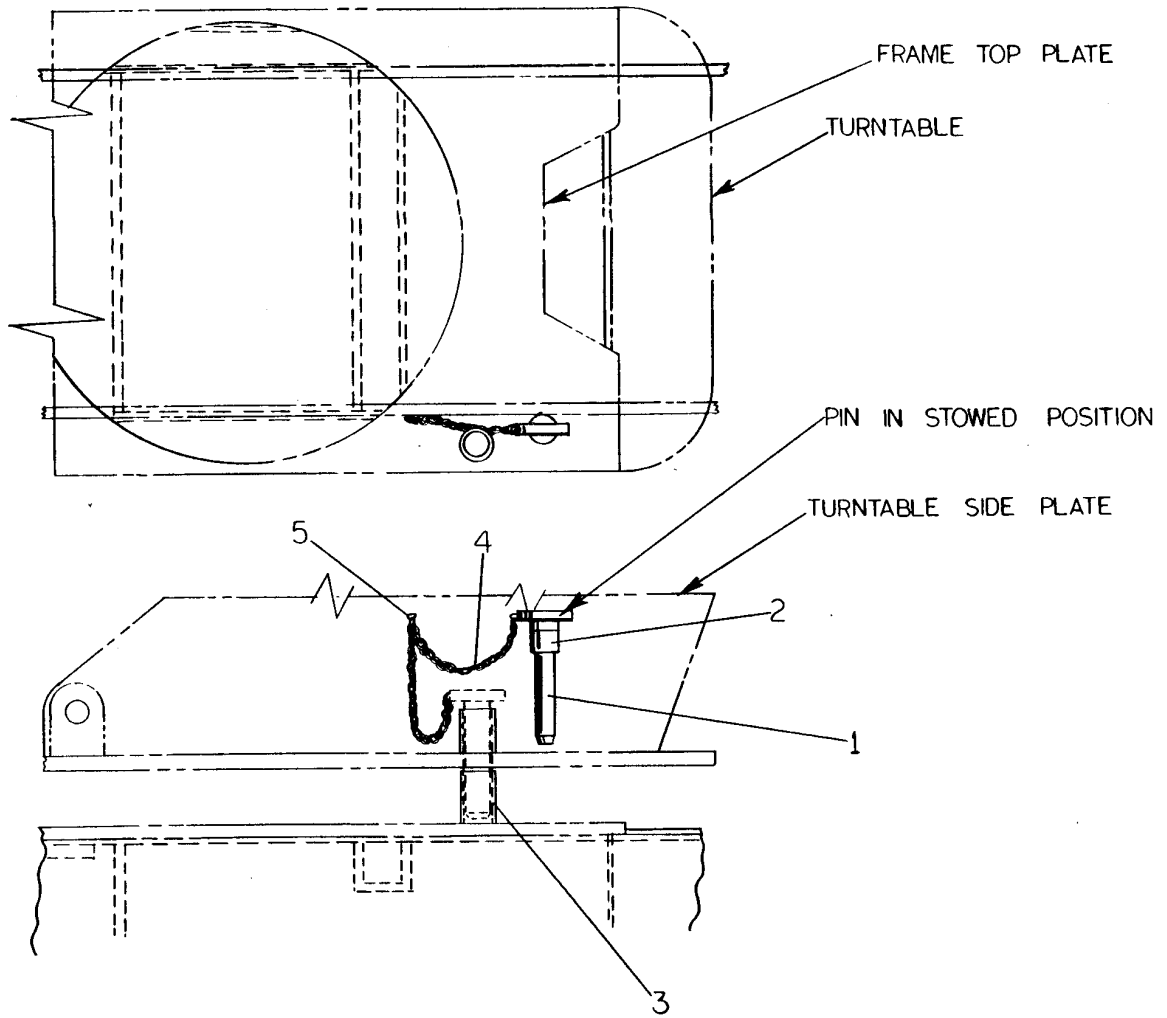
Assembly No.

**6738000064**

Revision: **B**

Item	FN	Part	Qty	Description
1		6400000033	1	DRUM, HOSE REEL
2		6184000341	1	BRACKET
3		6184000196	1	BRACKET
4		7250000016	1	SPRING AND CAGE
6		6864000066	1	STUD
7		7660160200	1	NUT, HEX JAM 3/8" - 16 N.C.
8		7660160000	1	NUT, HEX 3/8" - 16 N.C.
9		7069000173	2	BEARING
10		7950160020	10	LOCKWASHER, 3/8" I.D.
11		7112160750	5	USE 7115160750 CAP SCREW 3/8" - 16 N.C. X 7/8" GRADE 5
12		7950140161	8	FLATWASHER, 1/4" I.D.
13		7950140050	8	LOCKWASHER, 1/4" I.D.
14		7660140000	8	NUT, HEX 1/4" - 20 N.C.
15		6200080409	1	BUSHING
16		7785185223	1	SET SCREW 1/2" - 13 N.C. X 3 1/4"
17		7660180200	1	NUT, HEX 1/2" - 13 N.C.
18		7950160141	2	WASHER, 3/8" PLAIN NARROW
19		6814000034	2	GUARD
20		6705005752	1	PLATE,MTG
21		7112160850	4	REPLACED BY 7115160850 3/8" - 16 N.C. X 1" GRADE 5

# Manitowoc Crane Group



Part Number	Description	No.	Serial No.
-------------	-------------	-----	------------

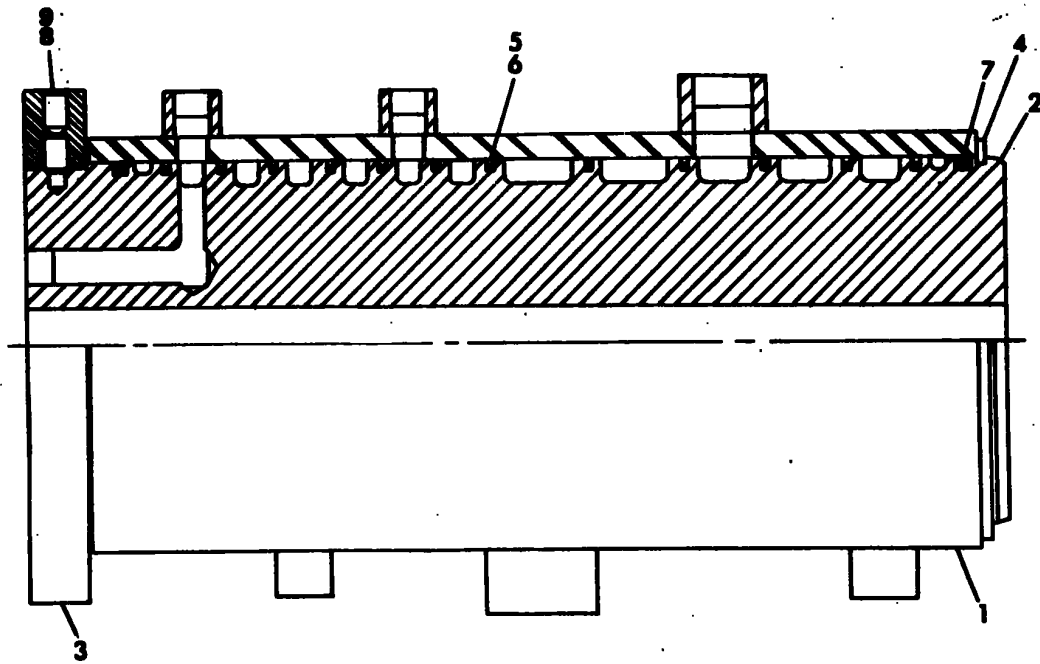
# Manitowoc Crane Group

Description  
**TURNTABLE LOCK PIN INSTAL**

Assembly No.  
**2160200006**  
Revision: #

Item	FN	Part	Qty	Description
1		2122100007	1	PIN ASSEMBLY
2		6199000200	1	BUSHING
3		6199000592	1	BUSHING
4		6286000004	1	CHAIN - USE 9286100001 QTY 1 CHAIN 2 FEET
5		6601000001	2	LINK, LOOP
6		6842000356	2	GUSSET

# Manitowoc Crane Group



# Manitowoc Crane Group

Description

**SWIVEL ASSEMBLY - 11 PORT**

Assembly No.

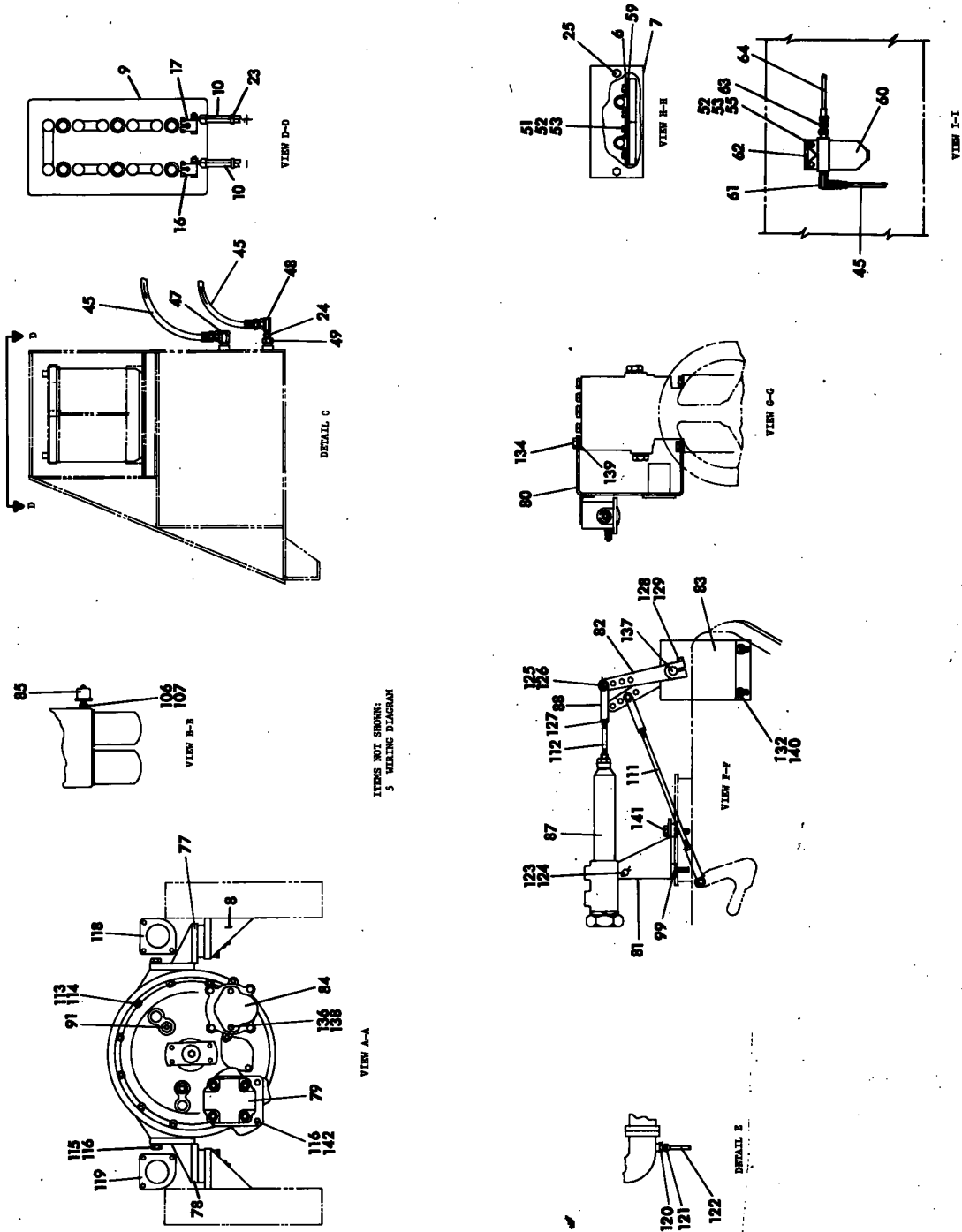
**7364000243**

Revision: **D**

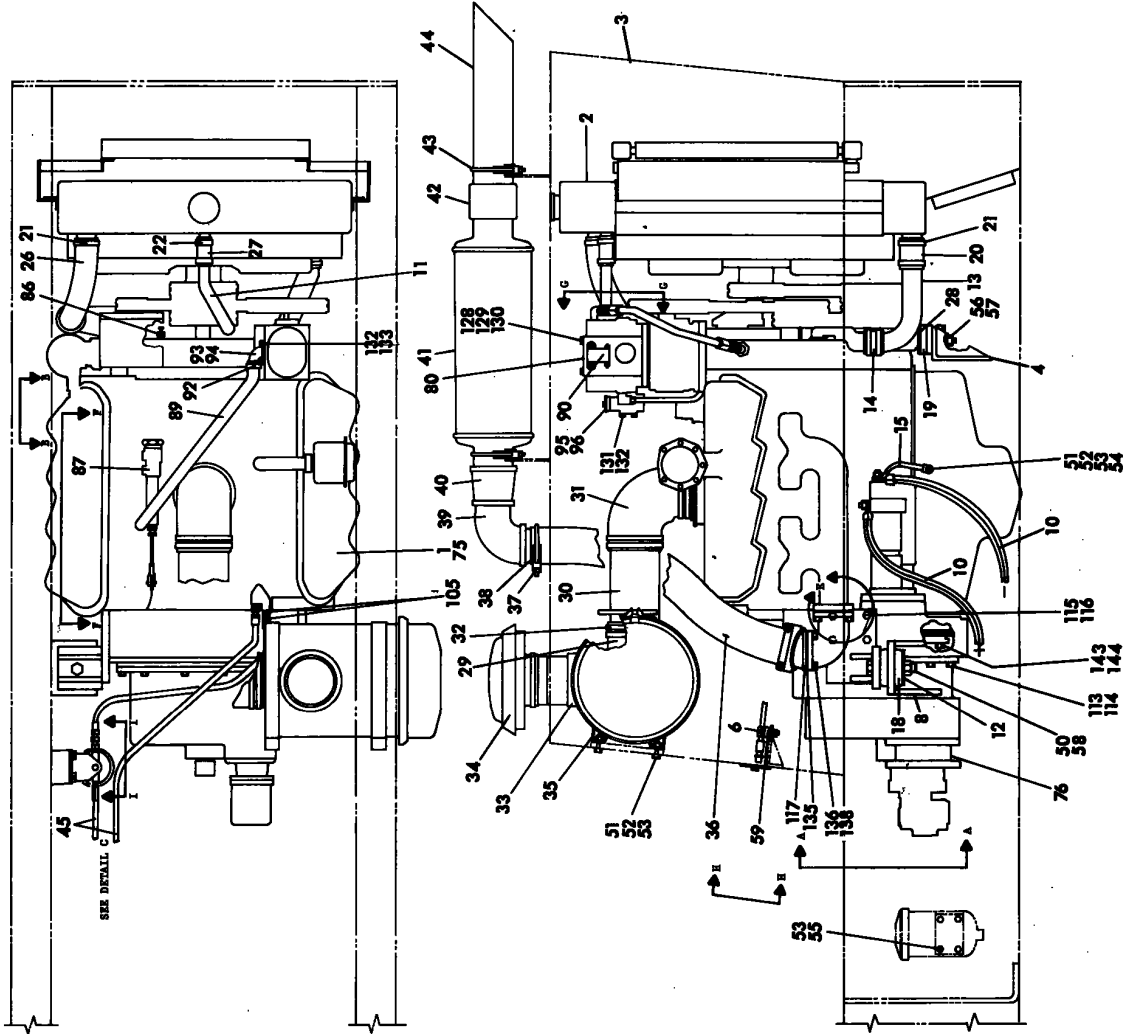
Item	FN	Part	Qty	Description
1		6274000020	1	CASE
2		6830000009	1	SPOOL
3		6450000131	1	FLANGE,MTG
4		7753000361	1	RING, SNAP
5	*	7794000525	12	SEAL
6	*	7755261400	12	RING, QUAD
7	*	7754000111	2	O-RING
8		7785181601	4	SET SCREW 1/2" - 13 N.C. X 1" CONE PT.
9		7785181672	4	SET SCREW 1/2" - 13 N.C. X 1" FULL DOG PT.
10	*	9752100298	1	KIT, REPAIR

\* REPAIR KIT AND/OR PART OF KIT

# Manitowoc Crane Group



# Manitowoc Crane Group



6414000145

(SHEET 1 OF 2)

36XXXe 198

# Manitowoc Crane Group

Description  
**ENGINE INSTALLATION - CAT 3208**

Assembly No.  
**6414000145**  
 Revision:

Item	FN	Part	Qty	Description
1	+=	6414000146	1	CAT 3208 ENG. ASSY.
1	+=	6414000176	1	ENGINE ASSEMBLY CATERPILLER 3208
2	+	2160800238	1	RADIATOR AND OIL COOLER INSTALLATION
3	+	2160800230	1	ENGINE HOOD AND GRILL ASSEMBLY
4		2162800051	1	ANGLE, MOUNTING
5	+	6294001397	1	WIRING DIAGRAM
6		7300000011	2	CLAMP, CABLE
7		4160600079	1	COVER
8		2162100003	2	BRACKET, REAR ENGINE MOUNTING
9		7064000007	1	BATTERY, 12 VOLT
10		6246000287	4	CABLE, BATTERY 109.5"
11		7910002312	1	TUBE
12		6949000147	2	WASHER, SPECIAL
13		7910002311	1	TUBE
14		9543100020	1	HOSE ASSY
15		6850000080	1	STRAP, GROUND
16		7892000053	1	TERMINAL, BATTERY CABLE
17		7892000054	1	TERMINAL, BATTERY CABLE
18	#	7638000024	4	MOUNT, CENTER BONDED
19	#	7638000025	4	MOUNT, CENTER BONDED
20		9543100029	1	HOSE ASSY
21		7300000020	6	CLAMP, 2 1/2" MAX HOSE
22		7300000013	4	CLAMP, HOSE
23		7850000064	10	TIE, CABLE (NATURAL)
24	#	7926000274	1	VALVE, CHECK
25		7790140853	2	SCREW, SELF-TAPPING 1/4" - 20 N.C. X 1/2"
26		7543000334	1	HOSE, RADIATOR
27		9543100004	1	HOSE ASSY 10' PC ( MUST CUT TO LENGTH NEEDED )
28		7949000148	4	WASHER, 5/8" I.D. FLAT
29		7013000072	1	ADAPTER

+ SEE FURTHER BREAKDOWN THIS GROUP  
 # SERVICED AS AN ASSEMBLY ONLY

= REFER TO MCI FOR APPLICABLE NUMBER



# Manitowoc Crane Group

Description  
**ENGINE INSTALLATION - CAT 3208**

Assembly No.  
**6414000145**  
 Revision:

Item	FN	Part	Qty	Description
30		6200400292	1	TUBE
31		7013000156	1	ELBOW
32		7300000044	8	CLAMP, HOSE
33	+	2160800197	1	CLEANER ASSEMBLY - AIR
34		7535000025	1	HOOD, AIR INLET
35		7056000004	2	BAND, AIR CLEANER MOUNTING
36		9543100003	2	HOSE, METAL EXHAUST 5' PC. ( MUST CUT TO LENGTH NEEDED )
37		7300000036	4	CLAMP, MUFFLER
38		6650240321	2	NIPPLE, PIPE
39		7444242470	2	ELBOW
40		7443000041	2	FITTING, REDUCER
41		7642000006	2	MUFFLER
42		7444002844	2	COUPLING
43		7300000047	4	CLAMP, MUFFLER
44		6418000023	2	EXTENSION, MUFFLER
45		7542008403	2	HOSE ASSY 3/16" I.D. X 84"
47		7445080404	1	SWIVEL ADAPTER UNION
48		7445040407	1	ELBOW, 90 DEGREE INCLUDES THE FOLLOWING PARTS
		7755904002	1	O-RING
49		7444040256	1	BUSHING, REDUCER
50		7660221600	2	LOCKNUT, HEX 3/4" - 10 N.C.
51		7115161050	9	CAP SCREW, 3/8" - 16 N.C. X 1 1/4" GRADE 5
52		7660160000	11	NUT, HEX 3/8" - 16 N.C.
53		7950160050	15	LOCKWASHER, 3/8" I.D.
54		7950160140	1	FLATWASHER, 3/8" I.D.
55		7115160850	6	CAP SCREW, 3/8" - 16 N.C. X 1" GRADE 5
56		7115203250	2	CAP SCREW, 5/8" - 11 N.C. X 4" GRADE 5

+ SEE FURTHER BREAKDOWN THIS GROUP

# Manitowoc Crane Group

Description  
**ENGINE INSTALLATION - CAT 3208**

Assembly No.  
**6414000145**  
 Revision:

Item	FN	Part	Qty	Description
57		7660201600	2	LOCKNUT, HEX 5/8" - 11 N.C.
58		7115223650	2	CAP SCREW, 3/4" - 10 N.C. X 4 1/2" LONG GRADE 5
59		4160600080	2	SHIM,
60	+	7437000044	1	FILTER ASSEMBLY - PRIMARY FUEL
61		7445060404	1	ADAPTER, SWIVEL
62		6030000383	1	ANGLE, MOUNTING
63		7445060401	1	ADAPTER, STRAIGHT SWIVEL
64		7542002403	1	HOSE ASSY 3/16" I.D. X 24"
76	+	7356000015	1	TORQUE CONVERTER ASSEMBLY
77		2160800112	1	BRACKET WELD,MTG - LH
78		2160800115	1	BRACKET WELD,MTG - RH
79	+	7722000088	1	PUMP ASSEMBLY - TRIPLE
80		4175800151	1	BRACKET, MOUNTING
81		2126800091	1	BRACKET, MOUNTING
82		7593000089	2	LEVER, CONTROL
83		2126800090	1	BRACKET, CONTROL LEVER MOUNTING
84	+	7722000073	1	PUMP ASSEMBLY - STEERING
85		7352000016	1	UNIT, SENDING (OIL)
86		7352000009	1	SENDER, TEMPERATURE
87	+	7372000303	1	CYLINDER ASSEMBLY - THROTTLE
88		7308000042	3	YOKE
89		9543100013	1	HOSE ASSY 5' PC. ( MUST CUT TO LENGTH NEEDED )
90	#	7750000005	1	SOLENOID, STARTER
91		7352000038	1	SENDER, OIL TEMPERATURE
92		7300000013	2	CLAMP, HOSE
93		7406000071	1	ELBOW, INLET
94		7794000288	1	GASKET
95	#	7502000002	1	GOVERNOR, AIR

+ SEE FURTHER BREAKDOWN THIS GROUP

# SERVICED AS AN ASSEMBLY ONLY

# Manitowoc Crane Group

Description  
**ENGINE INSTALLATION - CAT 3208**

Assembly No.  
**6414000145**  
 Revision:

Item	FN	Part	Qty	Description
96		7794000139	1	GASKET, AIR GOVERNOR
99		6200060703	2	BUSHING
105		7445040401	2	ADAPTER, STRAIGHT SWIVEL
106		7444020154	1	REDUCER
107		7444020290	1	FITTING, 45 DEGREE ELBOW
111		6865146810	1	STUD
112		6865142870	1	STUD
113		7115161050	12	CAP SCREW, 3/8" - 16 N.C. X 1 1/4" GRADE 5
114		7950160020	12	LOCKWASHER, 3/8" I.D.
115		7115181450	8	CAP SCREW, 1/2" - 13 N.C. X 1 3/4"
116		7950180050	12	LOCK WASHER, 1/2" I.D.
117		2160800164	2	ADAPTER, EXHAUST
118		6406000083	1	ELBOW, EXHAUST
119		6406000082	1	ELBOW, EXHAUST
120		7364000399	2	CONNECTOR, MALE
121		7659000084	2	NUT
122		9910100011	2	TUBING - 1/2" O.D. 25' PC. ( MUST CUT TO LENGTH NEEDED )
123		7690161800	1	PIN, CLEVIS 3/8" X 1 1/8"
124		7690051210	1	PIN, COTTER 1/8" X 3/4"
125		7690141200	3	PIN, CLEVIS 1/4" X 3/4"
126		7690000810	3	PIN, COTTER 1/16" X 1/2"
127		7660140030	4	NUT, HEX 1/4" - 28 N.F.
128		7115140650	4	CAP SCREW, 1/4" - 20 N.C. X 3/4" GRADE 5
129		7950140050	4	LOCKWASHER, 1/4" I.D.
130		7660140000	2	NUT, HEX 1/4" - 20 N.C.

# Manitowoc Crane Group

Description  
**ENGINE INSTALLATION - CAT 3208**

Assembly No.  
**6414000145**  
 Revision:

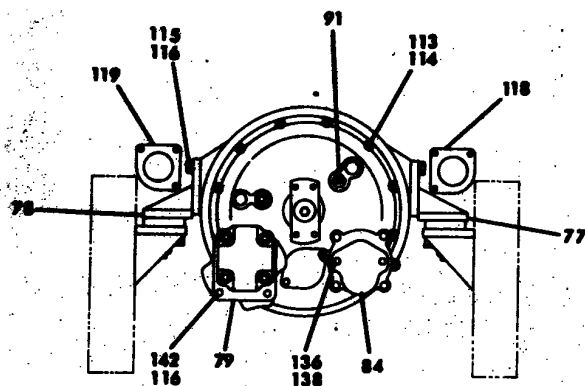
Item	FN	Part	Qty	Description
131		7115152250	2	CAP SCREW, 5/16" - 18 N.C. X 2 3/4" GRADE 5
132		7950150050	6	LOCKWASHER, 5/16" I.D.
133		7115151450	2	CAP SCREW, 5/16" - 18 N.C. X 1 3/4" GRADE 5
134		7115152450	2	CAP SCREW, 5/16" - 18 N.C. X 3" GRADE 5
135		7794000237	2	GASKET
136		7115161050	10	CAP SCREW, 3/8" - 16 N.C. X 1 1/4" GRADE 5
137		6570161833	1	KEY, ROUND
138		7950160050	10	LOCKWASHER, 3/8" I.D.
139		7950150161	4	WASHER, 5/16" FLAT PLAIN WIDE
140		7115150850	2	CAP SCREW, 5/16" - 18 N.C. X 1" GRADE 5
141		7115141050	2	CAP SCREW, 1/4" - 20 N.C. X 1 1/4" GRADE 5
142		7115181250	4	CAP SCREW, 1/2" - 13 N.C. X 1 1/2" GRADE 5
143		7356000020	1	DRIVE ASSY, CONVERTER
144		7356000019	1	SLEEVE - HUB DRIVE

# ***Manitowoc Crane Group***

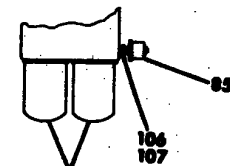
Notes

---

# Manitowoc Crane Group

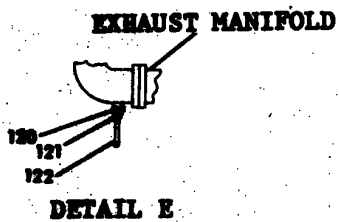


VIEW A-A



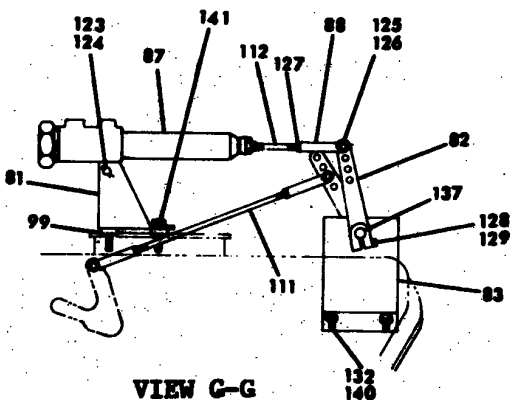
ENGINE OIL FILTERS

VIEW B-B

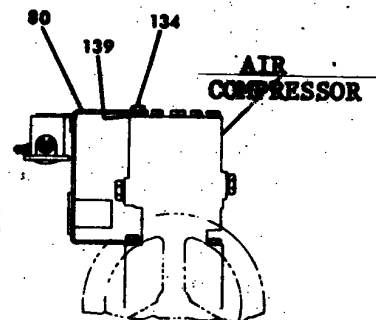


EXHAUST MANIFOLD

DETAIL E



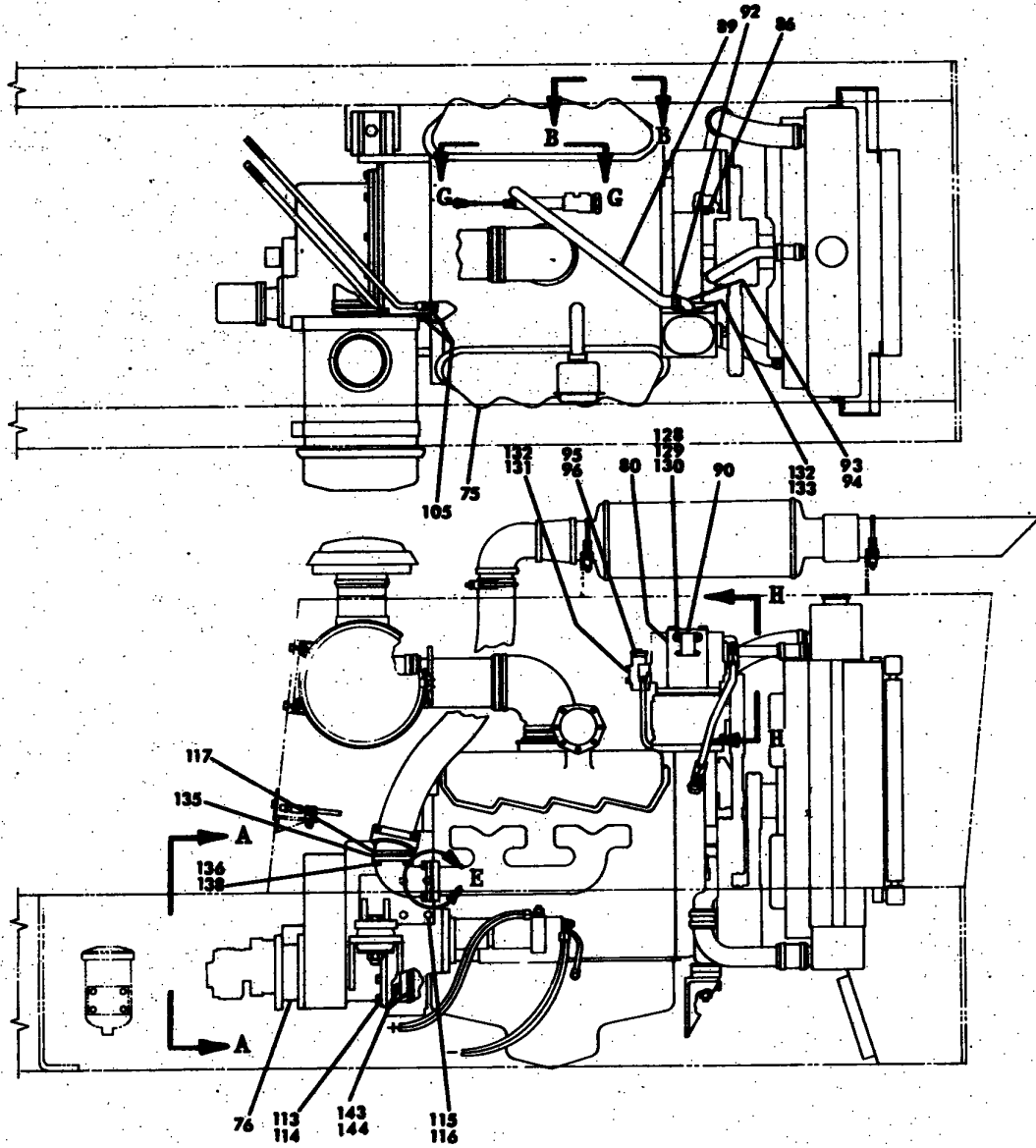
VIEW C-G



AIR COMPRESSOR

VIEW H-H

# Manitowoc Crane Group



6414000176

(SHEET 1 OF 2)

36XXXe 206

# Manitowoc Crane Group

Description  
**ENGINE ASSEMBLY CATERPILLER 3208**

Assembly No.  
**6414000176**  
 Revision: #

Item	FN	Part	Qty	Description
76	+	7356000015	1	TORQUE CONVERTER ASSEMBLY
77		2160800112	1	BRACKET WELD,MTG - LH
78		2160800115	1	BRACKET WELD,MTG - RH
79	+	7722000088	1	PUMP ASSEMBLY - TRIPLE
80		4175800151	1	BRACKET, MOUNTING
81		2126800091	1	BRACKET, MOUNTING
82		7593000089	2	LEVER, CONTROL
83		2126800090	1	BRACKET, CONTROL LEVER MOUNTING
84	+	7722000073	1	PUMP ASSEMBLY - STEERING
85		7352000016	1	UNIT, SENDING (OIL)
86		7352000009	1	SENDER, TEMPERATURE
87	+	7372000303	1	CYLINDER ASSEMBLY - THROTTLE
88		7308000042	3	YOKE
89		9543100013	1	HOSE ASSY 5' PC. ( MUST CUT TO LENGTH NEEDED )
90	#	7750000005	1	SOLENOID, STARTER
91		7352000038	1	SENDER, OIL TEMPERATURE
92		7300000013	2	CLAMP, HOSE
93		7406000071	1	ELBOW, INLET
94		7794000288	1	GASKET
95	#	7502000002	1	GOVERNOR, AIR
96		7794000139	1	GASKET, AIR GOVERNOR
99		6200060703	2	BUSHING
105		7445040401	2	ADAPTER, STRAIGHT SWIVEL
106		7444020154	1	REDUCER
107		7444020290	1	FITTING, 45 DEGREE ELBOW
111		6865146810	1	STUD
112		6865142870	1	STUD
113		7115161050	12	CAP SCREW, 3/8" - 16 N.C. X 1 1/4" GRADE 5
114		7950160020	12	LOCKWASHER, 3/8" I.D.
115		7115181450	8	CAP SCREW, 1/2" - 13 N.C. X 1 3/4"

+ SEE FURTHER BREAKDOWN THIS GROUP

# SERVICED AS AN ASSEMBLY ONLY



# Manitowoc Crane Group

Description  
**ENGINE ASSEMBLY CATERPILLER 3208**

Assembly No.  
**6414000176**  
Revision: #

Item	FN	Part	Qty	Description
116		7950180050	12	LOCK WASHER, 1/2" I.D.
117		2160800164	2	ADAPTER, EXHAUST
118		6406000083	1	ELBOW, EXHAUST
119		6406000082	1	ELBOW, EXHAUST
120		7364000399	2	CONNECTOR, MALE
121		7659000084	2	NUT
122		9910100011	1	TUBING - 1/2" O.D. 25' PC. ( MUST CUT TO LENGTH NEEDED )
123		7690161800	1	PIN, CLEVIS 3/8" X 1 1/8"
124		7690051210	1	PIN, COTTER 1/8" X 3/4"
125		7690141200	3	PIN, CLEVIS 1/4" X 3/4"
126		7690000810	3	PIN, COTTER 1/16" X 1/2"
127		7660140030	4	NUT, HEX 1/4" - 28 N.F.
128		7115140650	4	CAP SCREW, 1/4" - 20 N.C. X 3/4" GRADE 5
129		7950140050	4	LOCKWASHER, 1/4" I.D.
130		7660140000	2	NUT, HEX 1/4" - 20 N.C.
131		7115152250	2	CAP SCREW, 5/16" - 18 N.C. X 2 3/4" GRADE 5
132		7950150050	6	LOCKWASHER, 5/16" I.D.
133		7115151450	2	CAP SCREW, 5/16" -18 N.C. X 1 3/4" GRADE 5
134		7115152450	2	CAP SCREW, 5/16" - 18 N.C. X 3" GRADE 5
135		7794000237	2	GASKET
136		7115161050	10	CAP SCREW, 3/8" - 16 N.C. X 1 1/4" GRADE 5
137		6570161833	1	KEY, ROUND

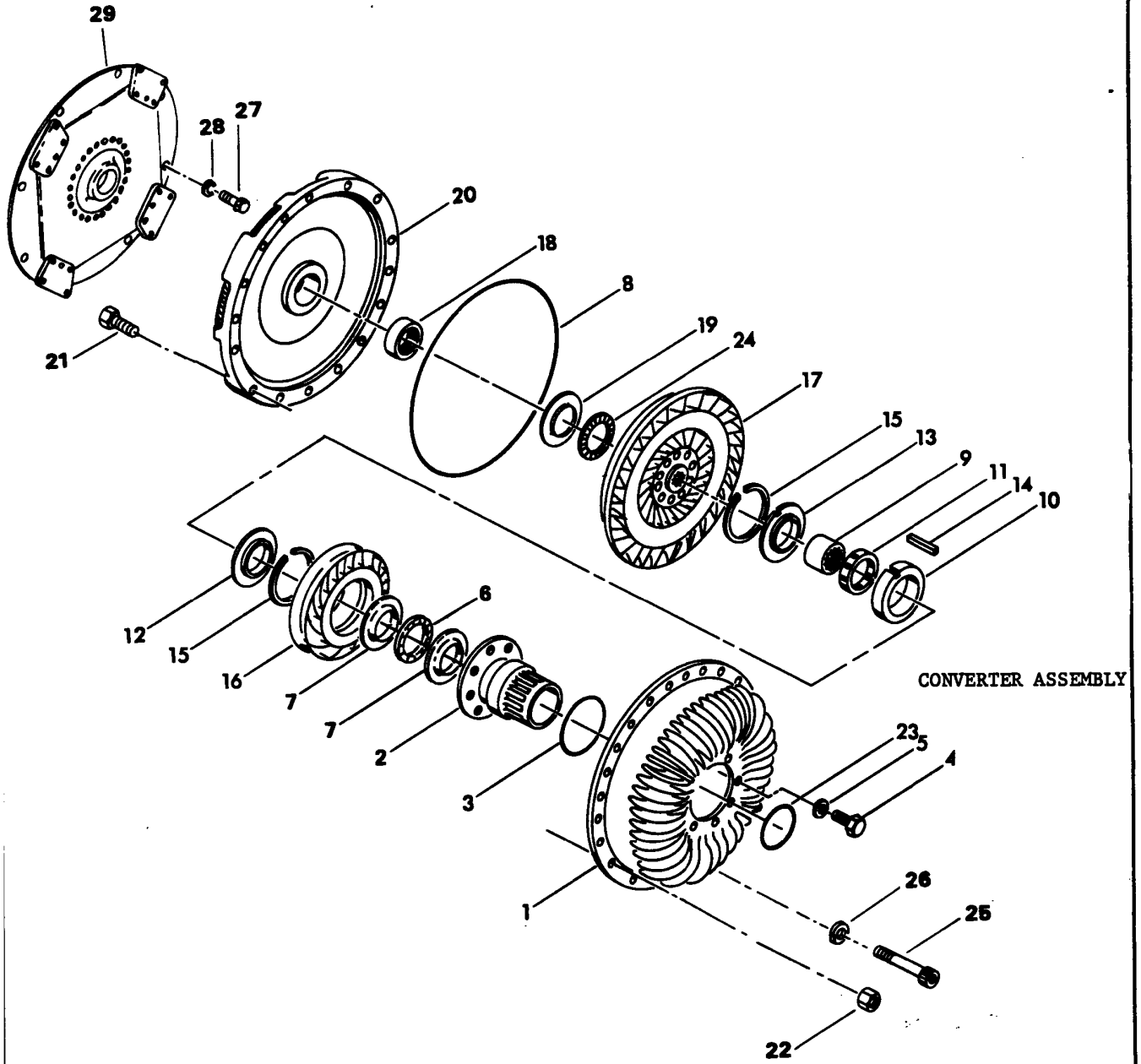
# Manitowoc Crane Group

Description  
**ENGINE ASSEMBLY CATERPILLER 3208**

Assembly No.  
**6414000176**  
 Revision: #

Item	FN	Part	Qty	Description
138		<b>7950160050</b>	10	LOCKWASHER, 3/8" I.D.
139		<b>7950150161</b>	4	WASHER, 5/16" FLAT PLAIN WIDE
140		<b>7115150850</b>	2	CAP SCREW, 5/16" - 18 N.C. X 1" GRADE 5
141		<b>7115141050</b>	2	CAP SCREW, 1/4" - 20 N.C. X 1 1/4" GRADE 5
142		<b>7115181250</b>	4	CAP SCREW, 1/2" - 13 N.C. X 1 1/2" GRADE 5
143		<b>7356000020</b>	1	DRIVE ASSY, CONVERTER
144		<b>7356000019</b>	1	SLEEVE - HUB DRIVE

# Manitowoc Crane Group



7356000015

(SHEET 1 OF 1)

36XXXe 210

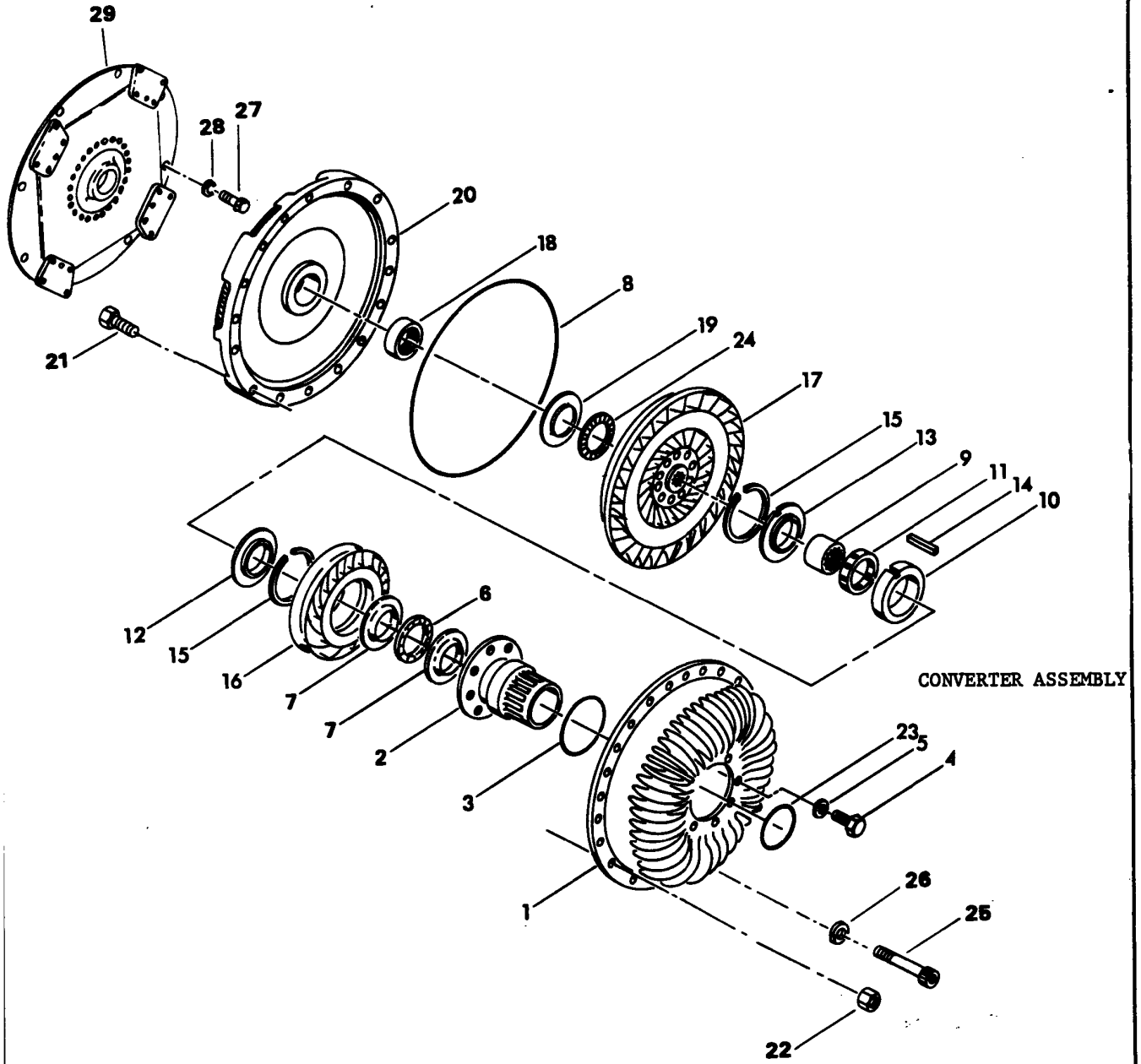
# Manitowoc Crane Group

Description  
**TORQUE CONVERTER ASSEMBLY**

Assembly No.  
**7356000015**  
 Revision:

Item	FN	Part	Qty	Description
1		7356000015	1	TORQUE CONVERTER ASSEMBLY CONVERTER ASSEMBLY
2		7356000015	1	TORQUE CONVERTER ASSEMBLY HOUSING GROUP AND PARTS
3		7356000015	1	TORQUE CONVERTER ASSEMBLY PUMP GROUP - STEER PUMP
4		7356000015	1	TORQUE CONVERTER ASSEMBLY PUMP GROUP - MAIN HYDRAULIC
5		7356000015	1	TORQUE CONVERTER ASSEMBLY REMOTE MOUNT - OIL FILTER
6		7356000015	1	TORQUE CONVERTER ASSEMBLY FILTER ASSEMBLY

# Manitowoc Crane Group



# Manitowoc Crane Group

Description

**TORQUE CONVERTER ASSEMBLY CONVERTER ASSEMBLY**

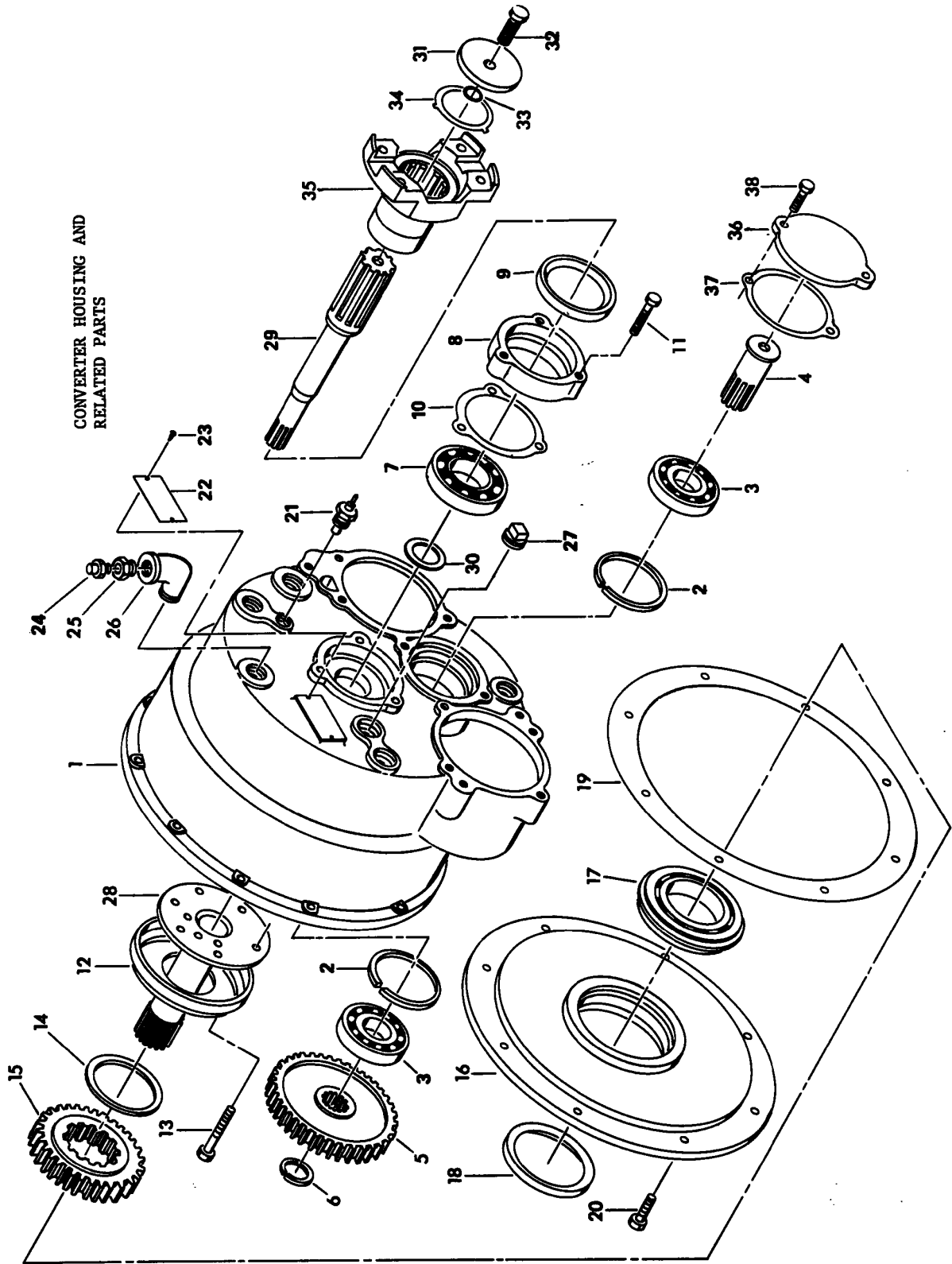
Assembly No.

**7356000015**

Revision:

Item	FN	Part	Qty	Description
1		9904103077	1	IMPELLER
2		9904103928	1	HUB
3		7755236000	1	O-RING
4		9904103931	12	CAP SCREW,
5		9904100603	12	WASHER,
6		9904103081	1	BEARING,THRUST
7		9904103929	2	WASHER, THRUST
8		9904103083	1	O-RING
9		9904103084	1	RACE
10		9904103085	1	RACE
11		9904103086	1	SPRAG CLUTCH ASSY
12		9904103930	1	RETAINER, CLUTCH
13		9904103088	1	RETAINER, CLUTCH
14		9904103089	4	KEY
15		9904103090	2	RING, SNAP
16		9904103091	1	STATOR
17		9904103092	1	TURBINE ASSY
18		9904103093	1	BEARING
19		9904103094	1	WASHER, THRUST
20		9904103095	1	COVER, FRONT
21		9904103096	16	CAP SCREW,
22		9904103097	16	LOCKNUT
23		9904102573	1	SEAL,RING
24		9904103081	1	BEARING,THRUST
25		9904103104	8	CAP SCREW,
26		9904103103	8	WASHER,
27		9904100666	8	CAP SCREW,
28		7950160050	8	LOCKWASHER, 3/8" I.D.
29		9904103102	1	PLATE, DRIVE
30		9904103366	1	OBSOLETED BY 9-904-105324

# Manitowoc Crane Group



735600015

(SHEET 1 OF 1)

36XXXe 214

# Manitowoc Crane Group

Description

**TORQUE CONVERTER ASSEMBLY HOUSING GROUP AND PARTS**

Assembly No.

**7356000015**

Revision:

Item	FN	Part	Qty	Description
1		9904103105	1	HOUSING
2		9904102585	2	RING, SNAP
3		9904102770	2	BEARING
4		9904102584	1	SHAFT, PUMP
5		9904102583	1	GEAR
6		9904102586	1	RING, RETAINING
7		7069000132	1	BEARING, BALL
8		9904102598	1	RETAINER
9		9904102415	1	SEAL, OIL
10		9904102597	1	GASKET
11		9904100601	3	CAP SCREW,
12		9904102581	1	PLATE, COVER
13		9904102582	6	CAP SCREW,
14		9904102587	1	WASHER, THRUST
15		9904102588	1	GEAR
16		9904102590	1	RETAINER
17		9904102591	1	BEARING
18		9904102592	1	SEAL, OIL
19		9904102589	1	GASKET, RETAINER
20		9904102771	7	CAP SCREW,
21		9904102766	1	SENDER, TEMPERATURE
24		9722100542	1	BREATHER
25		9904103098	1	BUSHING
26		9904103099	1	ELBOW
27		9904102765	1	PLUG
28		9904103100	1	TUBE
29		9904103101	1	SHAFT
30		9904102595	1	SEAL, RING
31		9904102416	1	WASHER,
32		9904102773	1	CAP SCREW,
33		7755114000	1	O-RING
34		9904102419	1	GASKET
35		9904102418	1	YOKE
36		9904102774	1	PLATE



# Manitowoc Crane Group

Description

**TORQUE CONVERTER ASSEMBLY HOUSING GROUP AND PARTS**

Assembly No.

**7356000015**

Revision:

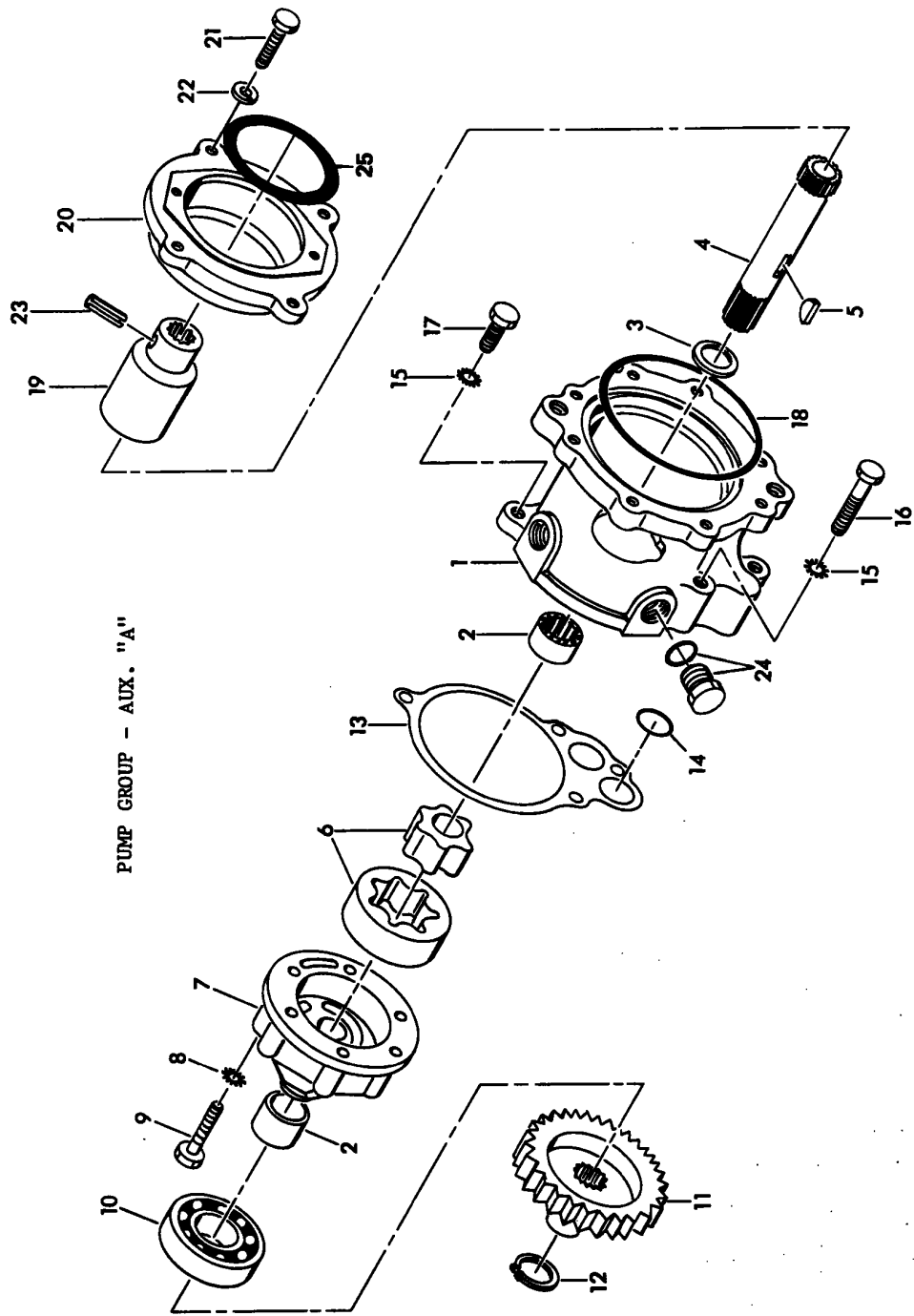
Item	FN	Part	Qty	Description
37		<b>9904102775</b>	1	GASKET
38		<b>7112160850</b>	2	REPLACED BY 7115160850 3/8" - 16 N.C. X 1" GRADE 5

# ***Manitowoc Crane Group***

Notes

---

# Manitowoc Crane Group



PUMP GROUP - AUX. "A"

# Manitowoc Crane Group

Description

**TORQUE CONVERTER ASSEMBLY PUMP GROUP - STEER PUMP**

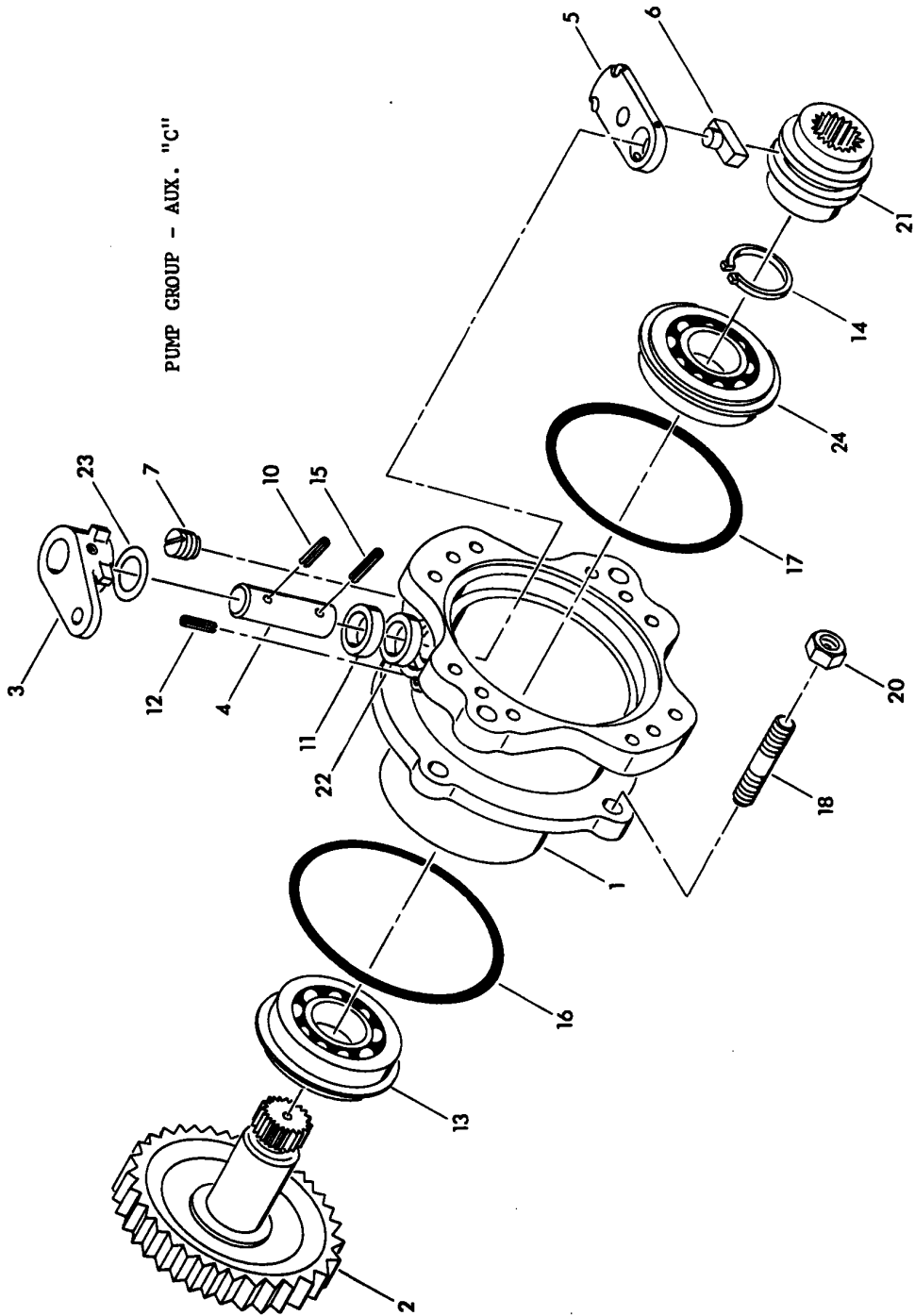
Assembly No.

**7356000015**

Revision:

Item	FN	Part	Qty	Description
1		9904104148	1	HOUSING ASSEMBLY
2		9904102604	2	BUSHING
3		9904102605	1	WASHER,
4		9904102607	1	SHAFT,DRIVE
5		9904102608	1	KEY, WOODRUFF
6		9904102609	1	GEROTOR
7		9904104149	1	RETAINER ASSEMBLY
8		9904100685	6	STARWASHER
9		9904100602	6	CAP SCREW,
10		9904102611	1	BEARING
11		9904102612	1	GEAR
12		9904102613	1	RING, RETAINING
13		9904102614	1	GASKET
14		7755210000	1	CLAMP, O-RING
15		9904100616	4	STARWASHER
16		7112162050	3	CAP SCREW, 3/8"-16 NC X 2 1/2"-GRD 2
17		9904102616	1	CAP SCREW,
18		7755250000	1	O-RING
19		9904102618	1	SLEEVE
20		9904102619	1	ADAPTER, PLATE
21		9904102531	4	CAP SCREW, 1/2" - 13 N.C. X 1 1/4"
22		9904102620	1	LOCKWASHER
23		9904102621	1	PIN, ROLL
24		9904102777	1	PLUG AND O-RING
25		7755042000	1	O-RING
7778		9904102748	1	PUMP

# Manitowoc Crane Group



# Manitowoc Crane Group

Description

**TORQUE CONVERTER ASSEMBLY PUMP GROUP - MAIN HYDRAULIC**

Assembly No.

**7356000015**

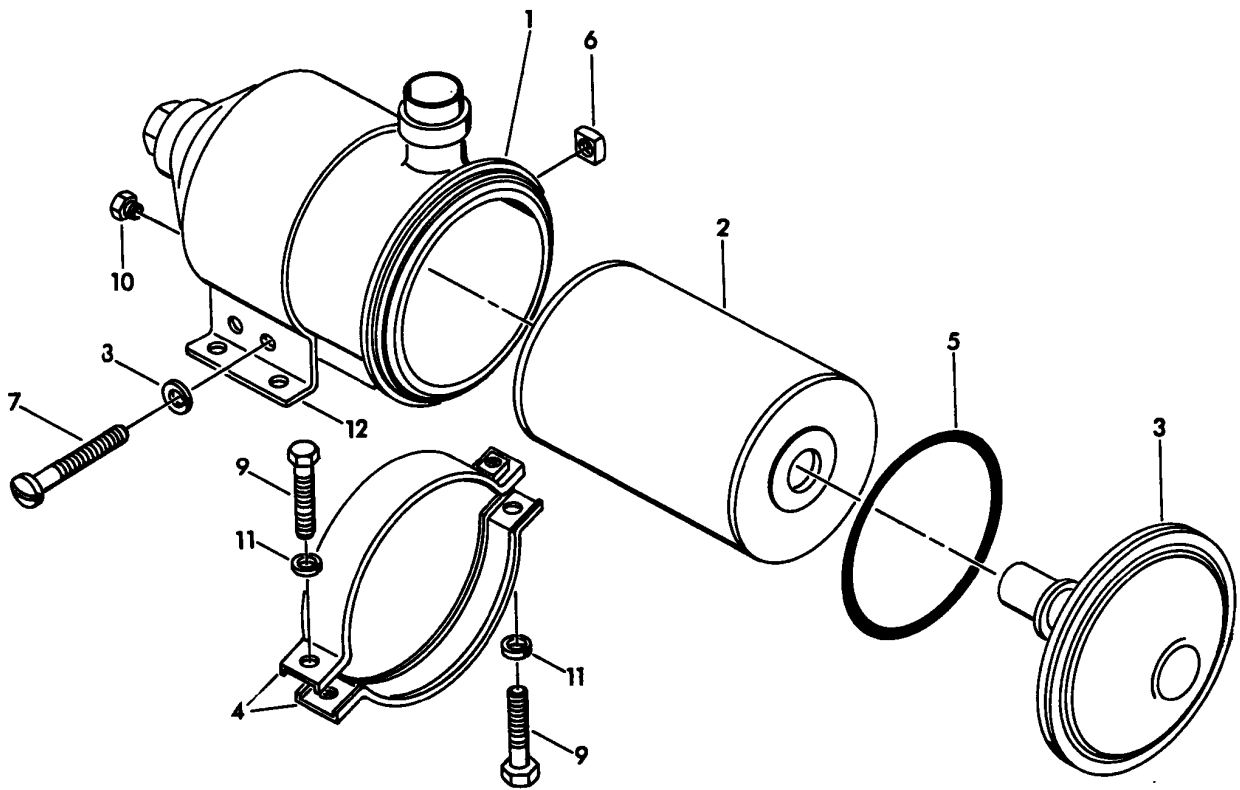
Revision:

Item	FN	Part	Qty	Description
1		9904102778	1	HOUSING
2	%	9904103230	1	GEAR
3		9904102536	1	ARM, SHIFTER
4		9904102534	1	SHAFT
5		9904102624	1	BLOCK, SHIFT
6		9904102625	1	FORK
7		9904102779	1	PLUNGER
10		9904102535	1	PIN, ROLL 1/4" X 1 1/2"
11		9274100201	1	SEAL, OIL
12		9904102540	1	PIN, ROLL
13		9904102780	1	BEARING
14	%	9904103231	1	RING, SNAP
15		9904102628	1	PIN, ROLL 1/4" X 1 1/4"
16		7755254000	1	O-RING
17		7755250000	1	O-RING
18		9904102781	4	STUD
20		9904102549	4	NUT, HEX
21		9904102631	1	DISC, SLEEVE
22		9904102782	1	BEARING, THRUST
23		9904102783	1	WASHER,
24	%	9904103232	1	BEARING
7778		9904103233	1	DISCONNECT ASSEMBLY - PUMP

% SEE NOTE AT END OF LIST

# Manitowoc Crane Group

## FILTER - REMOTE MOUNT



# Manitowoc Crane Group

Description

**TORQUE CONVERTER ASSEMBLY REMOTE MOUNT - OIL FILTER**

Assembly No.

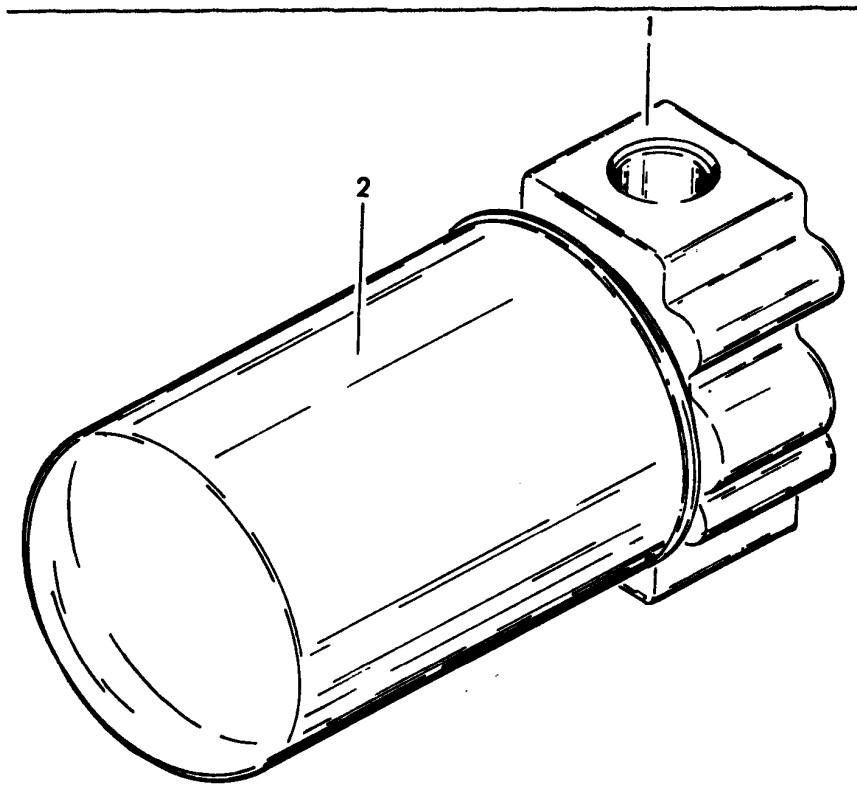
**7356000015**

Revision:

Item	FN	Part	Qty	Description
1		9904102632	1	CASE ASSEMBLY
2		9904102633	1	ELEMENT ASSY
3		9904102634	1	VALVE ASSY COVER AND BY-PASS
4		9904102635	1	CLAMP RING ASSY
5		9904102636	1	GASKET
6		9904102637	2	NUT
7		9904102638	2	SCREW
8		9904102639	2	LOCKWASHER
9		9904102640	2	CAP SCREW,
10		9904102641	1	PLUG
11		9904102642	2	LOCKWASHER
12		9904102643	1	BRACKET ASSEMBLY
13		9904102762	1	FILTER,OIL - REMOTE MOUNT



# Manitowoc Crane Group



735600015

(SHEET 1 OF 1)

36XXX Page 224

# Manitowoc Crane Group

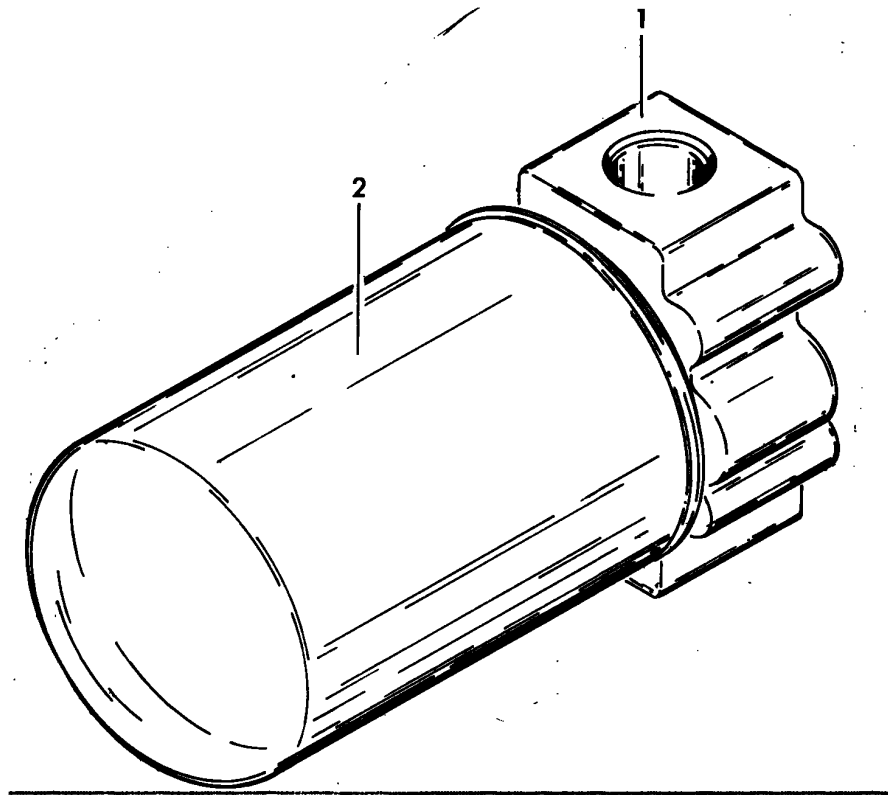
Description  
**TORQUE CONVERTER ASSEMBLY FILTER ASSEMBLY**

Assembly No.  
**7356000015**  
 Revision:

Item	FN	Part	Qty	Description
1 2 7778	#	NS 9904103228 7437000055	1 1 1	NOT SERVICED FILTER FILTER ASSEMBLY - OIL

# SERVICED AS AN ASSEMBLY ONLY

# Manitowoc Crane Group



7437000055

(SHEET 1 OF 1)

36XXXe 226

# Manitowoc Crane Group

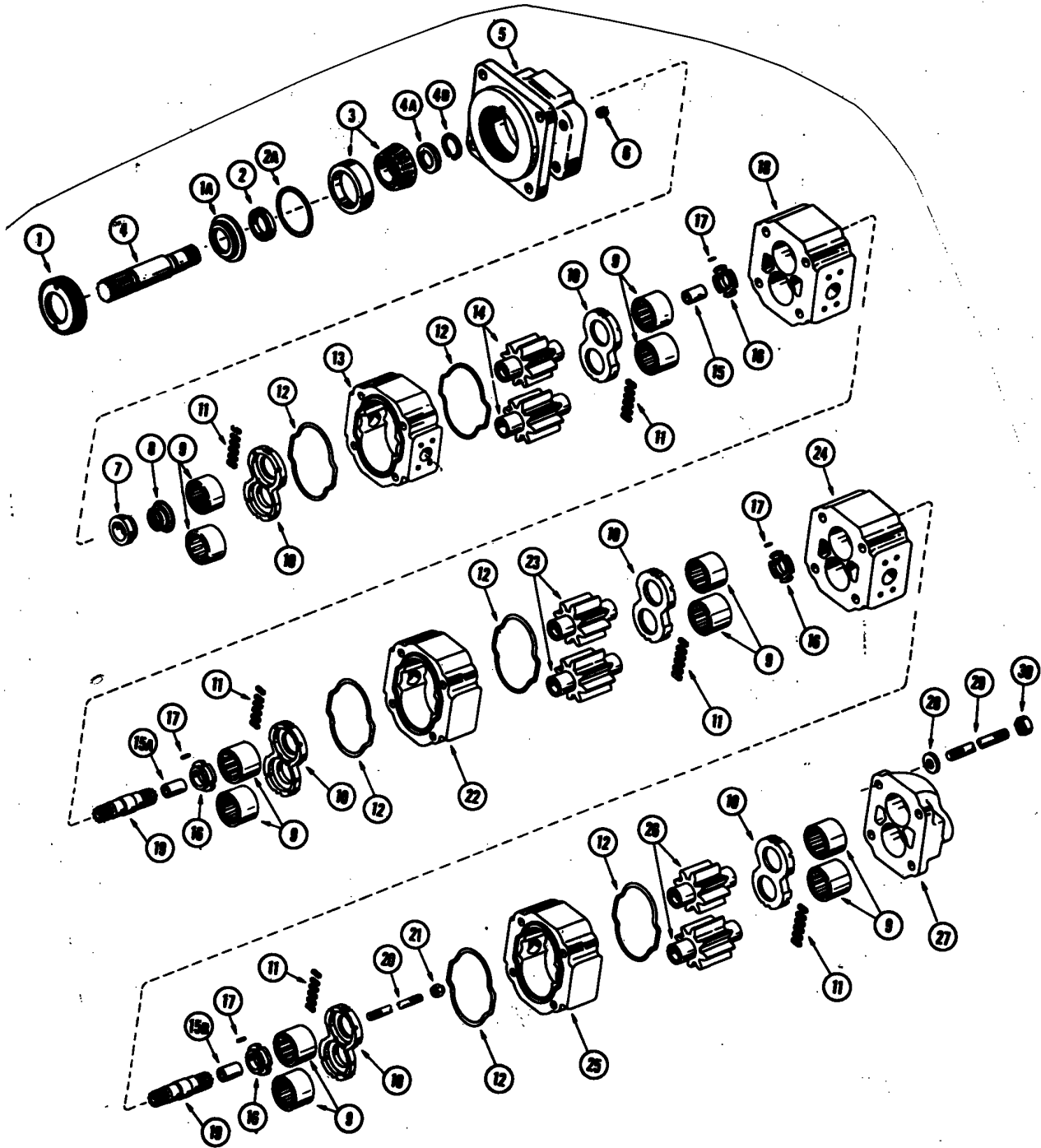
Description  
FILTER ASSEMBLY - OIL

Assembly No.  
**7437000055**  
Revision:

Item	FN	Part	Qty	Description
1	#	NS	1	NOT SERVICED BASE ASSEMBLY
2		9904103228	1	FILTER

# SERVICED AS AN ASSEMBLY ONLY

# Manitowoc Crane Group



# Manitowoc Crane Group

Description

**PUMP ASSEMBLY - TRIPLE**

Assembly No.

**7722000088**

Revision:

Item	FN	Part	Qty	Description
1		9722100018	1	RING, RETAINING
1		9722100021	1	RETAINER, SEAL
2	*	9722100019	1	SEAL, DOUBLE LIP
2	*	7755228000	1	O-RING
3		9722100024	1	BEARING, ROLLER
4		9722100020	1	SHAFT, DRIVE
4		9722100025	1	SPACER
4		9722100026	1	RING, SNAP
5		9722100022	1	COVER, SHAFT END
6		9722100372	1	PLUG
7		9722100027	1	BUSHING, BRONZE
8		9722100028	1	SPRING, CONICAL
9		9722100029	12	BEARING
10		9722100031	6	PLATE, THRUST
11	*	9722100050	3	SEAL, POCKET
12	*	9722100030	6	O-RING
13		9722100599	1	HOUSING, GEAR
14		9722100033	1	GEAR, DRIVE 1-SET
15		9722100032	1	SPACER
15		9722100373	1	SPACER
15		9722100055	1	SPACER
16		9722100036	4	BUSHING, SHAFT
17		9722100056	4	PIN, ROLL
18		9722100080	1	CARRIER, BEARING
19		9722100037	2	SHAFT, CONNECTING
20		9722100384	1	STUD, CONNECTING
21		9722100042	1	LOCKNUT
22		9722100074	1	HOUSING, GEAR
23		9722100075	1	GEAR, DRIVE 1-SET
24		9722100618	1	CARRIER, BEARING
25		9722100053	1	HOUSING, GEAR
26		9722100054	1	GEAR, DRIVE 1-SET

\* REPAIR KIT AND/OR PART OF KIT

# Manitowoc Crane Group

Description  
**PUMP ASSEMBLY - TRIPLE**

Assembly No.  
**7722000088**  
 Revision:

Item	FN	Part	Qty	Description
27		9722100045	1	COVER, PORT END
28		9722100046	4	WASHER,
29		9722100386	4	FASTNER
30		9722100229	4	NUT, HEX
31	*	9752100253	1	KIT, REPAIR

\* REPAIR KIT AND/OR PART OF KIT

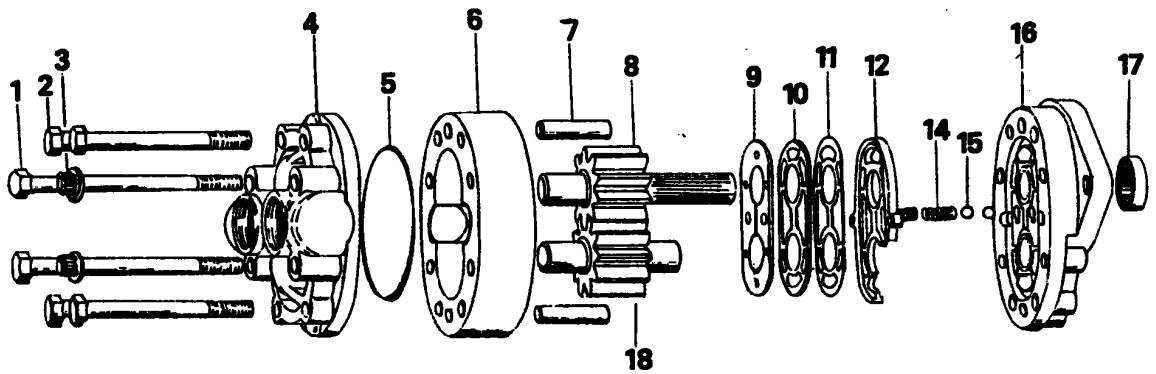
# ***Manitowoc Crane Group***

Notes

---



# Manitowoc Crane Group



7722000073

(SHEET 1 OF 1)

36XXXe 232

# Manitowoc Crane Group

Description

**PUMP ASSEMBLY - STEERING**

Assembly No.

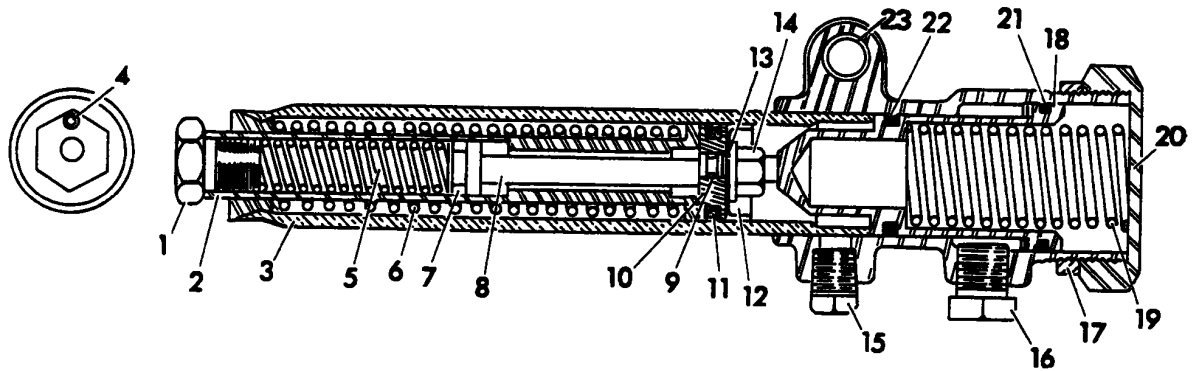
**7722000073**

Revision: #

Item	FN	Part	Qty	Description
1		9722100002	2	CAPSCREW, NEAR
2		9722100003	4	GEAR, DRIVE
3		9722100001	2	CAPSCREW, FAR
4		9722100653	1	PLATE, BACK
5	*	9722100254	1	O-RING
6		9722100655	1	BODY
7		9722100230	2	PIN, DOWEL
8		9722100252	1	GEAR, DRIVE
9	*	9722100013	1	DIAPHRAGM
10	*	9722100012	1	GASKET, BACK-UP
11	*	9722100010	1	GASKET, PROTECTOR
12	*	9722100014	1	SEAL, DIAPHRAGM
14	*	9722100016	2	SPRING
15	*	9722100005	2	BALL
16		9722100654	1	PLATE, FRONT
17	*	9722100009	1	SEAL, SHAFT
18		9722100253	1	GEAR, IDLER
19	*	9722100255	1	KIT, REPAIR

\* REPAIR KIT AND/OR PART OF KIT

# Manitowoc Crane Group



7372000303

(SHEET 1 OF 1)

36XXXe 234

# Manitowoc Crane Group

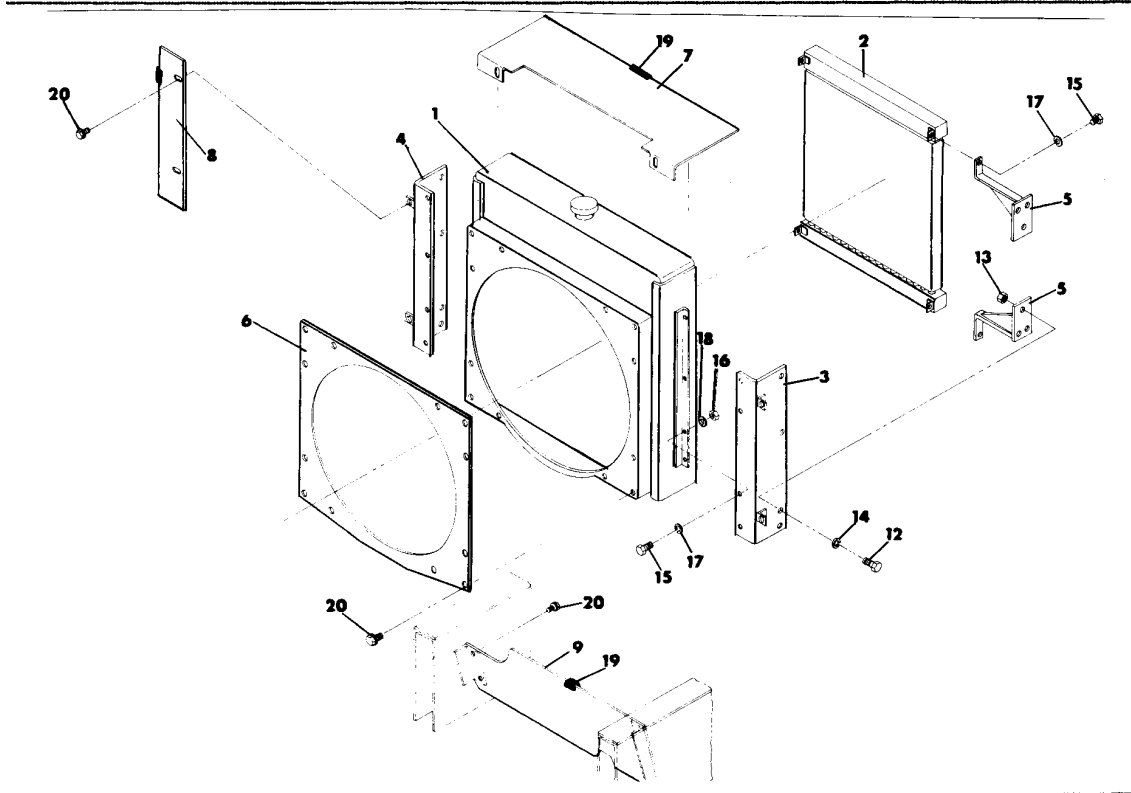
Description  
**CYLINDER ASSEMBLY - THROTTLE**

Assembly No.  
**7372000303**  
 Revision:

Item	FN	Part	Qty	Description
1		9372100311	1	ADAPTER, TUBE-PUSH
2		9372100312	1	TUBE, PUSH
3		9372100313	1	BUSHING, CYLINDER
4		9372100314	1	SET SCREW
5		9372100315	1	SPRING, TAKE-UP
6		9372100316	1	SPRING, GRADUATING
7	*	9372100317	1	OILER, BELT
8		9372100318	1	ROD, PISTON
9	*	9372100319	1	GROMMET
10		9372100320	1	PISTON, THROTTLE
11	*	9372100321	1	OILER, FELT
12	*	9372100322	1	CUP, PACKING-PISTON
13		9372100323	1	FOLLOWER
14		9372100324	1	NUT, HEX
15		9372100325	1	PLUG, PORT-THROTTLE VALVE
16		9372100326	1	PLUG
17		9372100327	1	NUT
18		9372100328	1	PISTON
19		9372100329	1	SPRING
20		9372100330	1	CAP, CYLINDER
21	*	9372100331	1	GROMMET
22	*	9372100332	1	GROMMET
23		9372101226	1	BUSHING
24	*	9372101949	0	KIT, REPAIR

\* REPAIR KIT AND/OR PART OF KIT

# Manitowoc Crane Group



# Manitowoc Crane Group

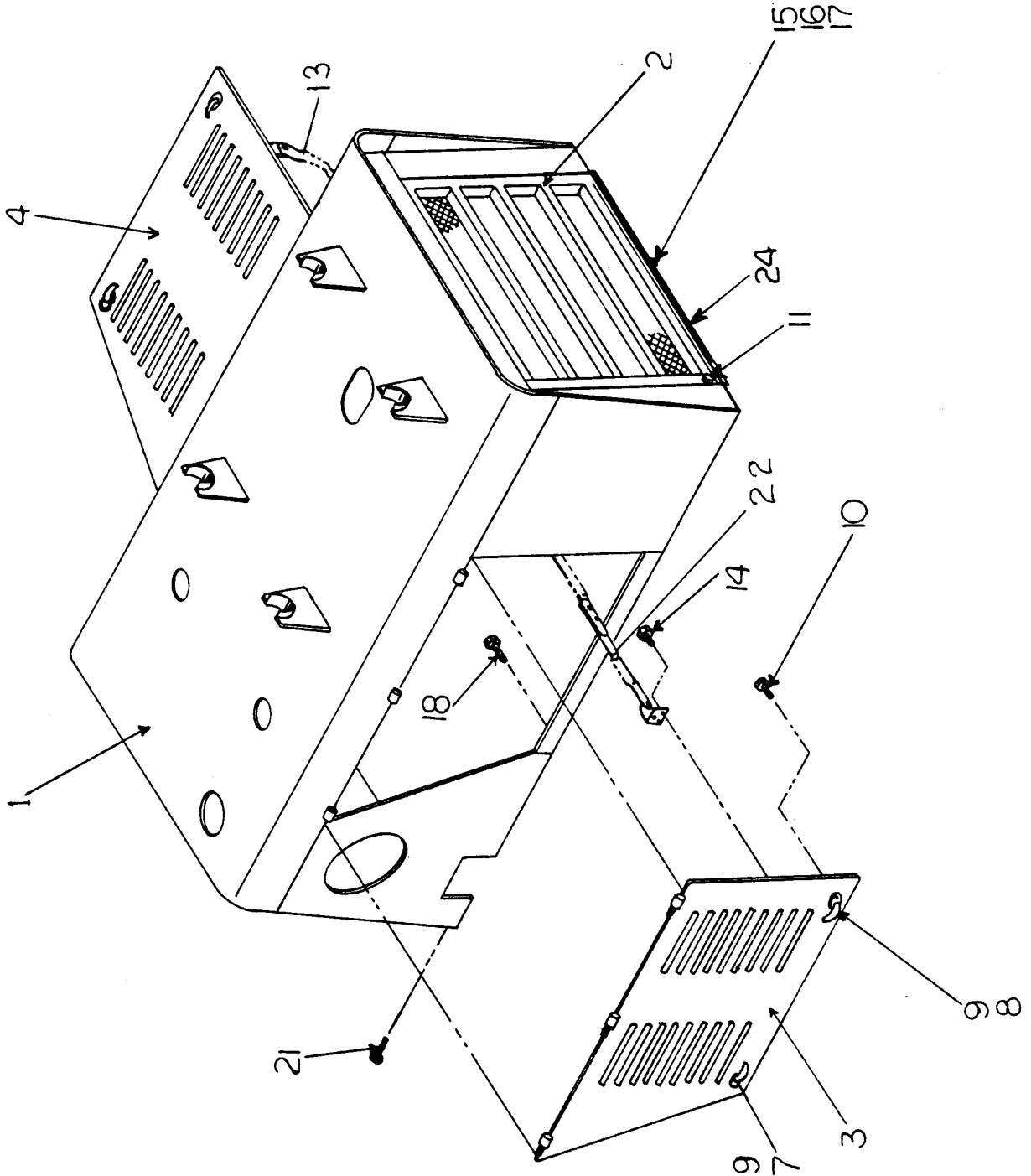
Description  
**RADIATOR AND OIL COOLER INSTALLATION**

Assembly No.  
**2160800238**  
 Revision: **D**

Item	FN	Part	Qty	Description
1		7726000051	1	RADIATOR ASSEMBLY INCLUDES NBR 101
2	#	7726000131	1	COOLER, HYDRAULIC OIL
3		2160800236	1	ANGLE, SUPPORT (LEFT HAND)
4		2160800237	1	ANGLE, SUPPORT (RIGHT HAND)
5		2175800033	4	BRACKET, MOUNTING
6		6705001597	1	PLATE, SHROUD ADAPTER
7		4160800245	1	BAFFLE
8		4160800242	2	BAFFLE
9		4160800201	1	PLATE, BAFFLE
12		7112150650	8	CAP SCREW, 5/16" - 18 N.C. X 3/4"
13		7660150000	8	NUT, HEX 5/16" - 18 N.C.
14		7950150050	8	LOCKWASHER, 5/16" I.D.
15		7112160850	12	REPLACED BY 7115160850 3/8" - 16 N.C. X 1" GRADE 5
16		7660160000	8	NUT, HEX 3/8" - 16 N.C.
17		7950160050	12	LOCKWASHER, 3/8" I.D.
18		7950160141	8	WASHER, 3/8" PLAIN NARROW
19		6637006011	1	CHANNEL - USE 9860100005 QTY 1 MOULDING 11 FEET
20		7791141250	22	SCREW, SELF-DRILLING 1/4"
101		9726100032	1	CAP, RADIATOR (USE W/GENERAL RADIATOR)
101		9726100034	1	CAP, RADIATOR (USE W/YOUNG RADIATOR)

# SERVICED AS AN ASSEMBLY ONLY

# Manitowoc Crane Group



2160800230

(SHEET 1 OF 1)

36XXXe 238

# Manitowoc Crane Group

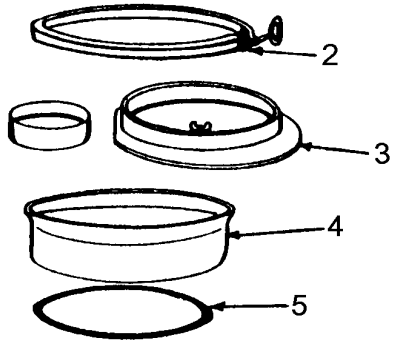
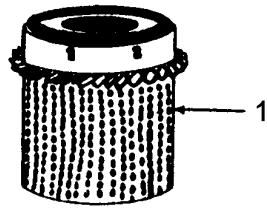
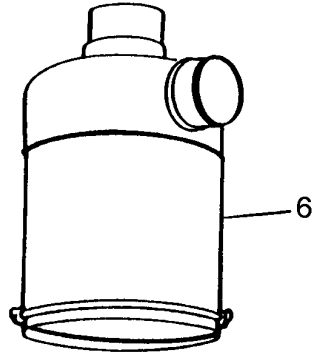
Description  
**ENGINE HOOD AND GRILL ASSEMBLY**

Assembly No.  
**2160800230**  
 Revision: **D**

Item	FN	Part	Qty	Description
1		2160800229	1	HOOD, ENGINE
2		2160800022	1	GRILL, ENGINE HOOD
3		2160800226	1	DOOR, LEFT HAND
4		2160800225	1	DOOR, RIGHT HAND
7		7585000027	2	LATCH, LEFT HAND CAB (LEFT HAND)
8		7585000028	2	LATCH, RIGHT HAND CAB (RIGHT HAND)
9		6511000036	4	HANDLE, DOOR
10		7790100815	8	SCREW, SELF-TAPPING
11		7115151650	4	CAP SCREW, 5/16" - 18 N.C. X 2" GRADE 5
13		7869000066	1	SUPPORT, DOOR (LEFT HAND)
14		7790100826	6	SCREW, SELF-TAPPING 3/16" - 24 N.C. X 1/2"
15		7950160050	7	LOCKWASHER, 3/8" I.D.
16		7115161450	3	CAP SCREW, 3/8" - 16 N.C. X 1 3/4" GRADE 5
17		7660160000	3	NUT, HEX 3/8" - 16 N.C.
18		7115160850	4	CAP SCREW, 3/8" - 16 N.C. X 1" GRADE 5
21		7790161453	2	SCREW, SELF-TAPPING 3/8" - 16 N.C. X 7/8"
22		7869000077	1	SUPPORT (RIGHT HAND)
24		9794100012	1	MOULDING 25' PC. ( MUST CUT TO LENGTH NEEDED ) (CUT 15' LONG)



# Manitowoc Crane Group



# Manitowoc Crane Group

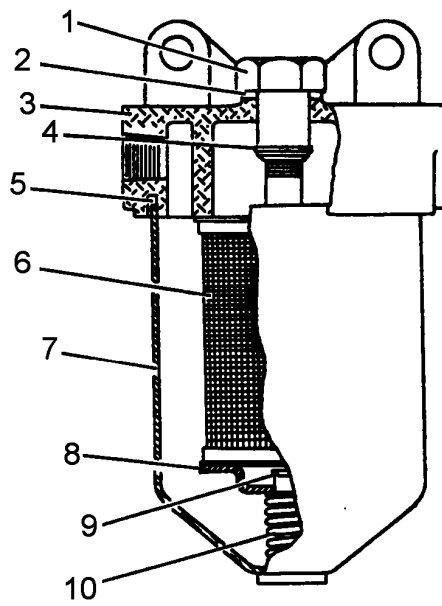
Description  
**CLEANER ASSEMBLY - AIR**

Assembly No.  
**2160800197**  
 Revision: #

Item	FN	Part	Qty	Description
1		9437100135	1	ELEMENT, AIR CLEANER
2		9304100006	1	CLAMP
3		9304100017	1	BAFFLE
4		9304100007	1	CUP ASSY
5		9304100014	1	O-RING, AIR CLEANER
6	#	NS	1	NOT SERVICED BODY

# SERVICED AS AN ASSEMBLY ONLY

# Manitowoc Crane Group



# Manitowoc Crane Group

Description

**FILTER ASSEMBLY - PRIMARY FUEL**

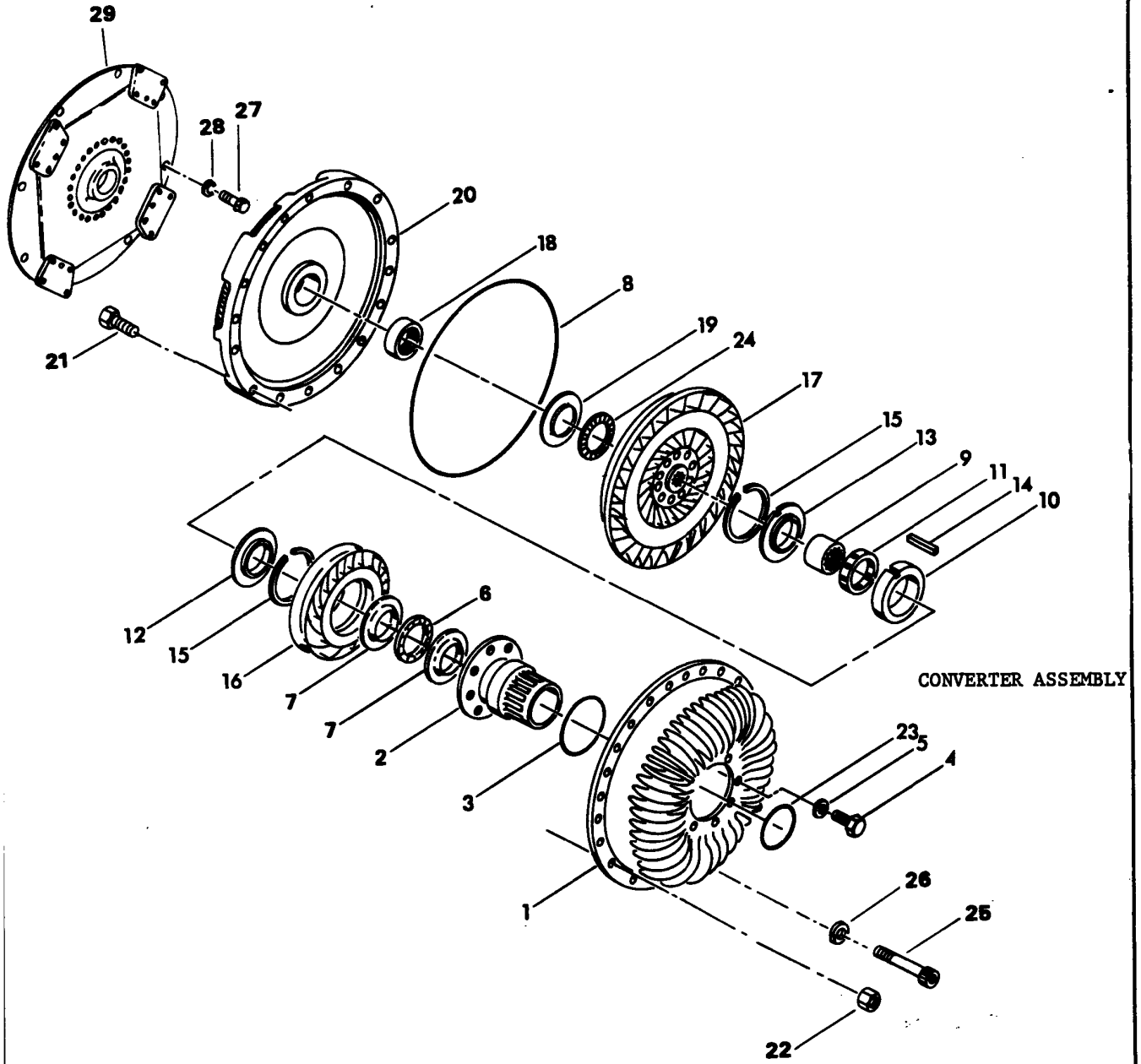
Assembly No.

**7437000044**

Revision:

Item	FN	Part	Qty	Description
1		9437100202	1	NUT
2		9437100203	1	GASKET
3		9437100204	1	COVER
4		9437100205	1	RING
5		9437100206	1	GASKET
6		9437100207	1	ELEMENT WASHABLE
7		9437100208	1	CASE ASSEMBLY
8		9437100209	1	RETAINER
9		9437100210	1	SEAL
10		9437100211	1	SPRING

# Manitowoc Crane Group



7356000015

(SHEET 1 OF 1)

36XXXe 244

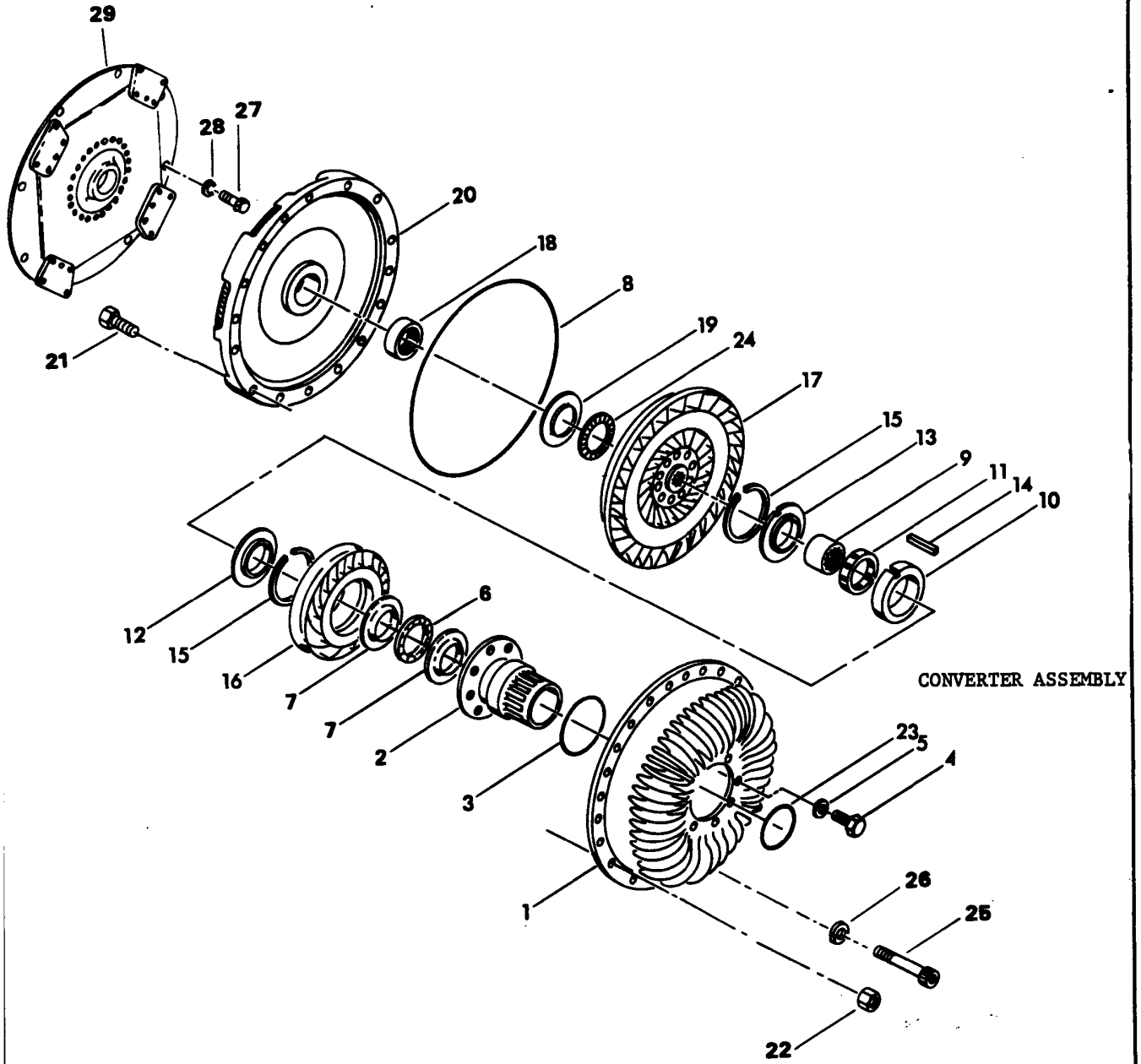
# Manitowoc Crane Group

Description  
**TORQUE CONVERTER ASSEMBLY**

Assembly No.  
**7356000015**  
 Revision:

Item	FN	Part	Qty	Description
1		7356000015	1	TORQUE CONVERTER ASSEMBLY CONVERTER ASSEMBLY
2		7356000015	1	TORQUE CONVERTER ASSEMBLY HOUSING GROUP AND PARTS
3		7356000015	1	TORQUE CONVERTER ASSEMBLY PUMP GROUP - STEER PUMP
4		7356000015	1	TORQUE CONVERTER ASSEMBLY PUMP GROUP - MAIN HYDRAULIC
5		7356000015	1	TORQUE CONVERTER ASSEMBLY REMOTE MOUNT - OIL FILTER
6		7356000015	1	TORQUE CONVERTER ASSEMBLY FILTER ASSEMBLY

# Manitowoc Crane Group



7356000015

(SHEET 1 OF 1)

36XXXe 246

# Manitowoc Crane Group

Description

**TORQUE CONVERTER ASSEMBLY CONVERTER ASSEMBLY**

Assembly No.

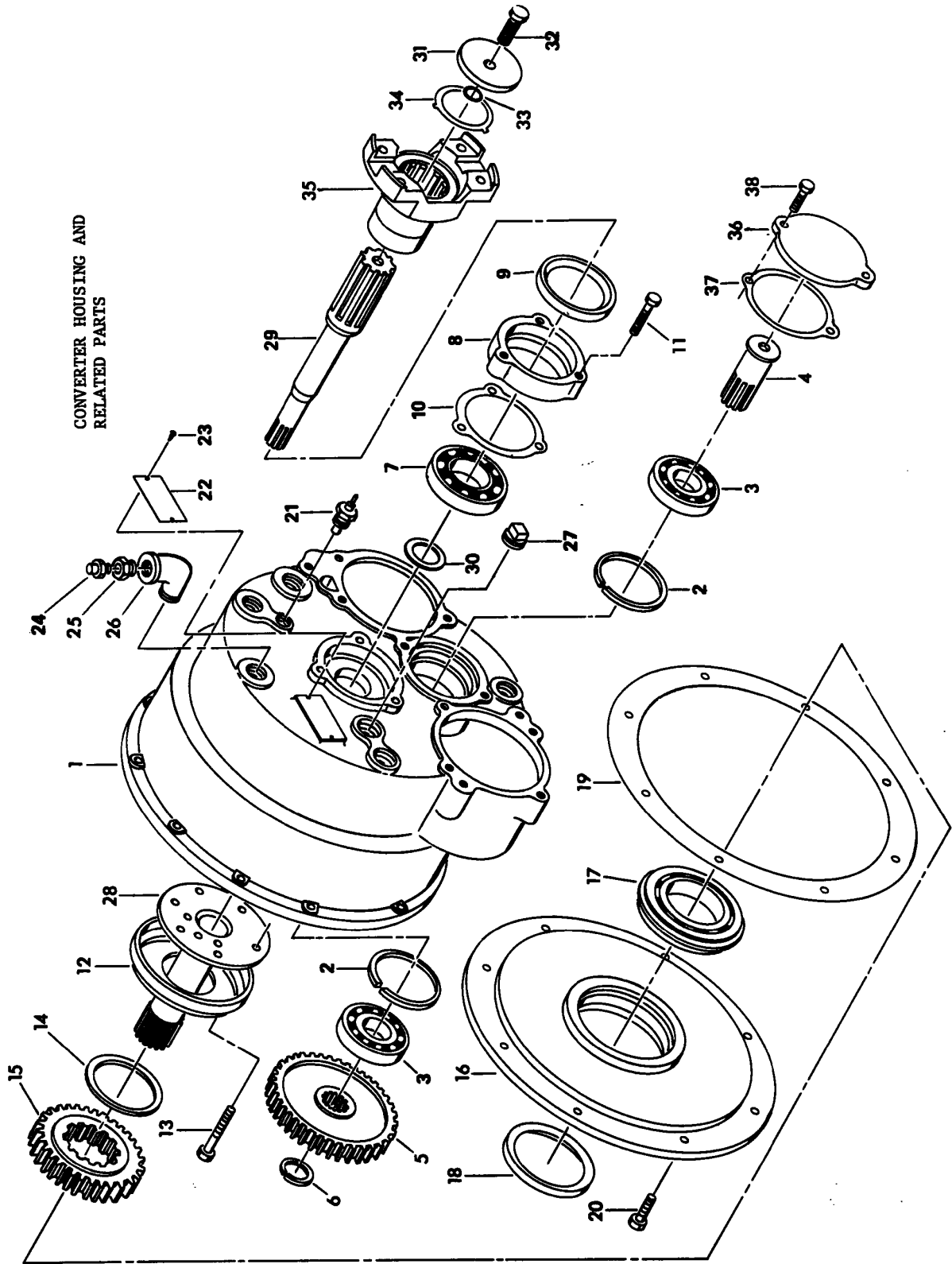
**7356000015**

Revision:

Item	FN	Part	Qty	Description
1		9904103077	1	IMPELLER
2		9904103928	1	HUB
3		7755236000	1	O-RING
4		9904103931	12	CAP SCREW,
5		9904100603	12	WASHER,
6		9904103081	1	BEARING,THRUST
7		9904103929	2	WASHER, THRUST
8		9904103083	1	O-RING
9		9904103084	1	RACE
10		9904103085	1	RACE
11		9904103086	1	SPRAG CLUTCH ASSY
12		9904103930	1	RETAINER, CLUTCH
13		9904103088	1	RETAINER, CLUTCH
14		9904103089	4	KEY
15		9904103090	2	RING, SNAP
16		9904103091	1	STATOR
17		9904103092	1	TURBINE ASSY
18		9904103093	1	BEARING
19		9904103094	1	WASHER, THRUST
20		9904103095	1	COVER, FRONT
21		9904103096	16	CAP SCREW,
22		9904103097	16	LOCKNUT
23		9904102573	1	SEAL,RING
24		9904103081	1	BEARING,THRUST
25		9904103104	8	CAP SCREW,
26		9904103103	8	WASHER,
27		9904100666	8	CAP SCREW,
28		7950160050	8	LOCKWASHER, 3/8" I.D.
29		9904103102	1	PLATE, DRIVE
30		9904103366	1	OBSOLETED BY 9-904-105324



# Manitowoc Crane Group



735600015

(SHEET 1 OF 1)

36XXXe 248

# Manitowoc Crane Group

Description

**TORQUE CONVERTER ASSEMBLY HOUSING GROUP AND PARTS**

Assembly No.

**7356000015**

Revision:

Item	FN	Part	Qty	Description
1		9904103105	1	HOUSING
2		9904102585	2	RING, SNAP
3		9904102770	2	BEARING
4		9904102584	1	SHAFT, PUMP
5		9904102583	1	GEAR
6		9904102586	1	RING, RETAINING
7		7069000132	1	BEARING, BALL
8		9904102598	1	RETAINER
9		9904102415	1	SEAL, OIL
10		9904102597	1	GASKET
11		9904100601	3	CAP SCREW,
12		9904102581	1	PLATE, COVER
13		9904102582	6	CAP SCREW,
14		9904102587	1	WASHER, THRUST
15		9904102588	1	GEAR
16		9904102590	1	RETAINER
17		9904102591	1	BEARING
18		9904102592	1	SEAL, OIL
19		9904102589	1	GASKET, RETAINER
20		9904102771	7	CAP SCREW,
21		9904102766	1	SENDER, TEMPERATURE
24		9722100542	1	BREATHER
25		9904103098	1	BUSHING
26		9904103099	1	ELBOW
27		9904102765	1	PLUG
28		9904103100	1	TUBE
29		9904103101	1	SHAFT
30		9904102595	1	SEAL, RING
31		9904102416	1	WASHER,
32		9904102773	1	CAP SCREW,
33		7755114000	1	O-RING
34		9904102419	1	GASKET
35		9904102418	1	YOKE
36		9904102774	1	PLATE

# Manitowoc Crane Group

Description

**TORQUE CONVERTER ASSEMBLY HOUSING GROUP AND PARTS**

Assembly No.

**7356000015**

Revision:

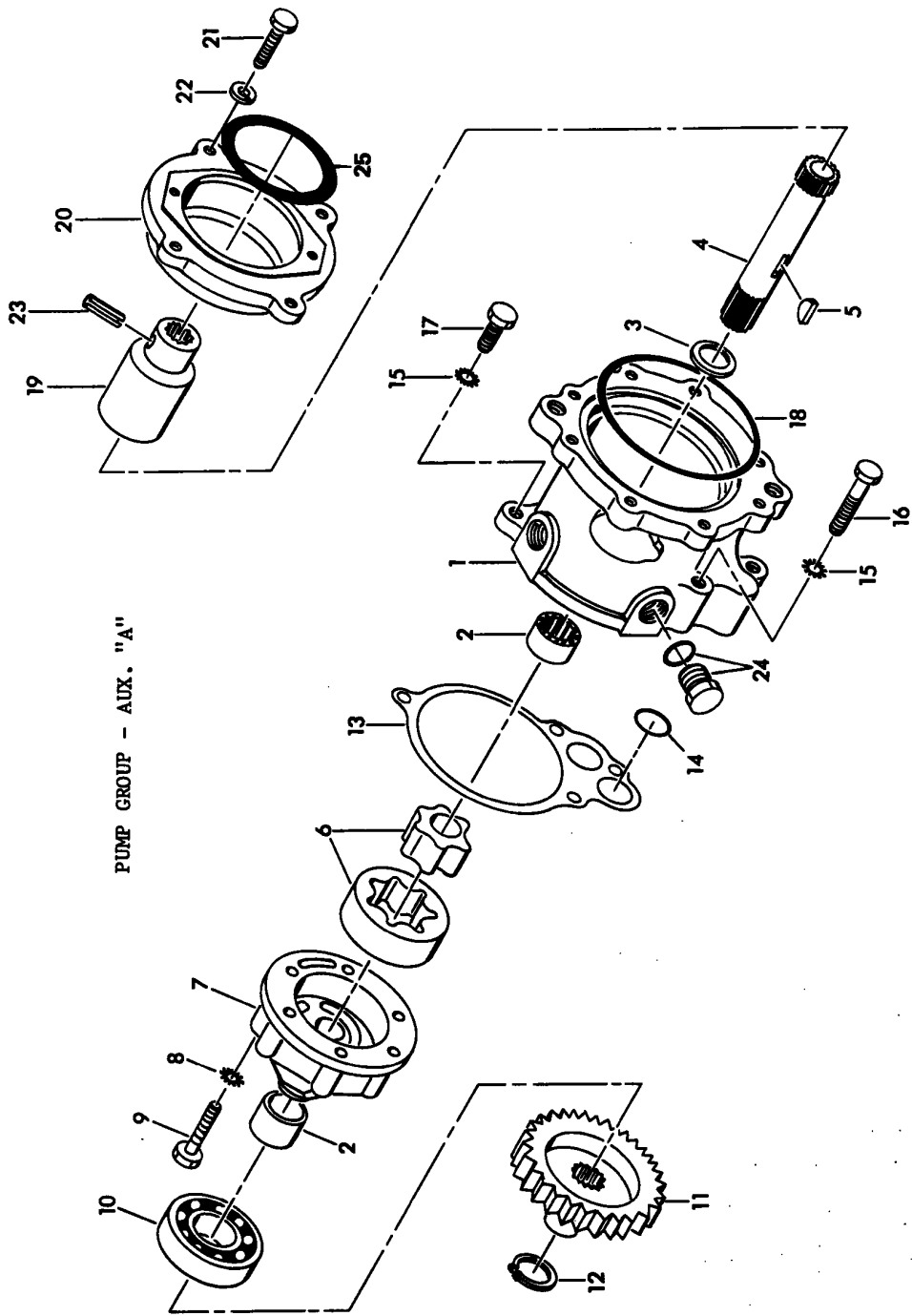
Item	FN	Part	Qty	Description
37		<b>9904102775</b>	1	GASKET
38		<b>7112160850</b>	2	REPLACED BY 7115160850 3/8" - 16 N.C. X 1" GRADE 5

# ***Manitowoc Crane Group***

Notes

---

# Manitowoc Crane Group



PUMP GROUP - AUX. "A"

# Manitowoc Crane Group

Description

**TORQUE CONVERTER ASSEMBLY PUMP GROUP - STEER PUMP**

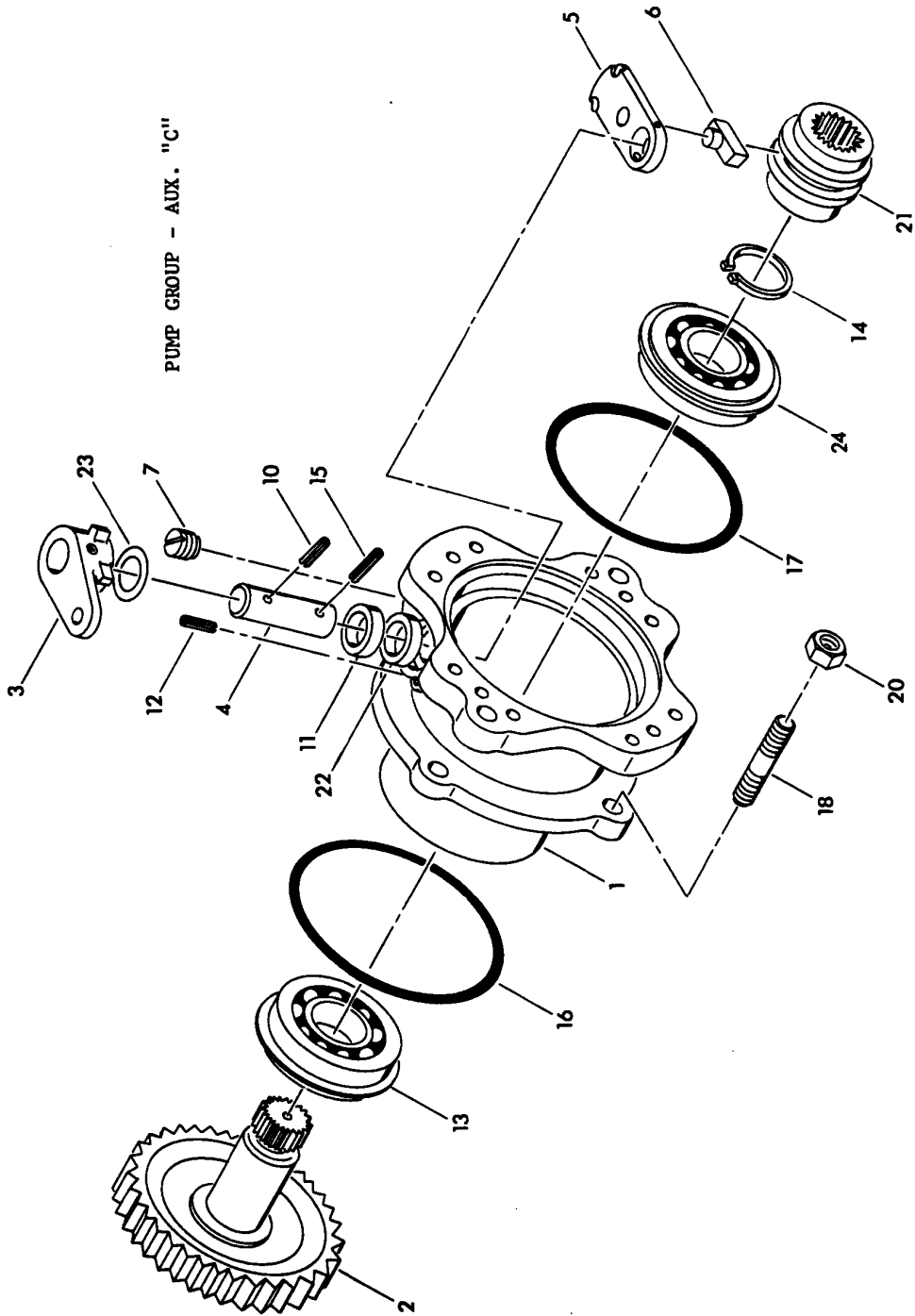
Assembly No.

**7356000015**

Revision:

Item	FN	Part	Qty	Description
1		9904104148	1	HOUSING ASSEMBLY
2		9904102604	2	BUSHING
3		9904102605	1	WASHER,
4		9904102607	1	SHAFT,DRIVE
5		9904102608	1	KEY, WOODRUFF
6		9904102609	1	GEROTOR
7		9904104149	1	RETAINER ASSEMBLY
8		9904100685	6	STARWASHER
9		9904100602	6	CAP SCREW,
10		9904102611	1	BEARING
11		9904102612	1	GEAR
12		9904102613	1	RING, RETAINING
13		9904102614	1	GASKET
14		7755210000	1	CLAMP, O-RING
15		9904100616	4	STARWASHER
16		7112162050	3	CAP SCREW, 3/8"-16 NC X 2 1/2"-GRD 2
17		9904102616	1	CAP SCREW,
18		7755250000	1	O-RING
19		9904102618	1	SLEEVE
20		9904102619	1	ADAPTER, PLATE
21		9904102531	4	CAP SCREW, 1/2" - 13 N.C. X 1 1/4"
22		9904102620	1	LOCKWASHER
23		9904102621	1	PIN, ROLL
24		9904102777	1	PLUG AND O-RING
25		7755042000	1	O-RING
7778		9904102748	1	PUMP

# Manitowoc Crane Group



# Manitowoc Crane Group

Description

**TORQUE CONVERTER ASSEMBLY PUMP GROUP - MAIN HYDRAULIC**

Assembly No.

**7356000015**

Revision:

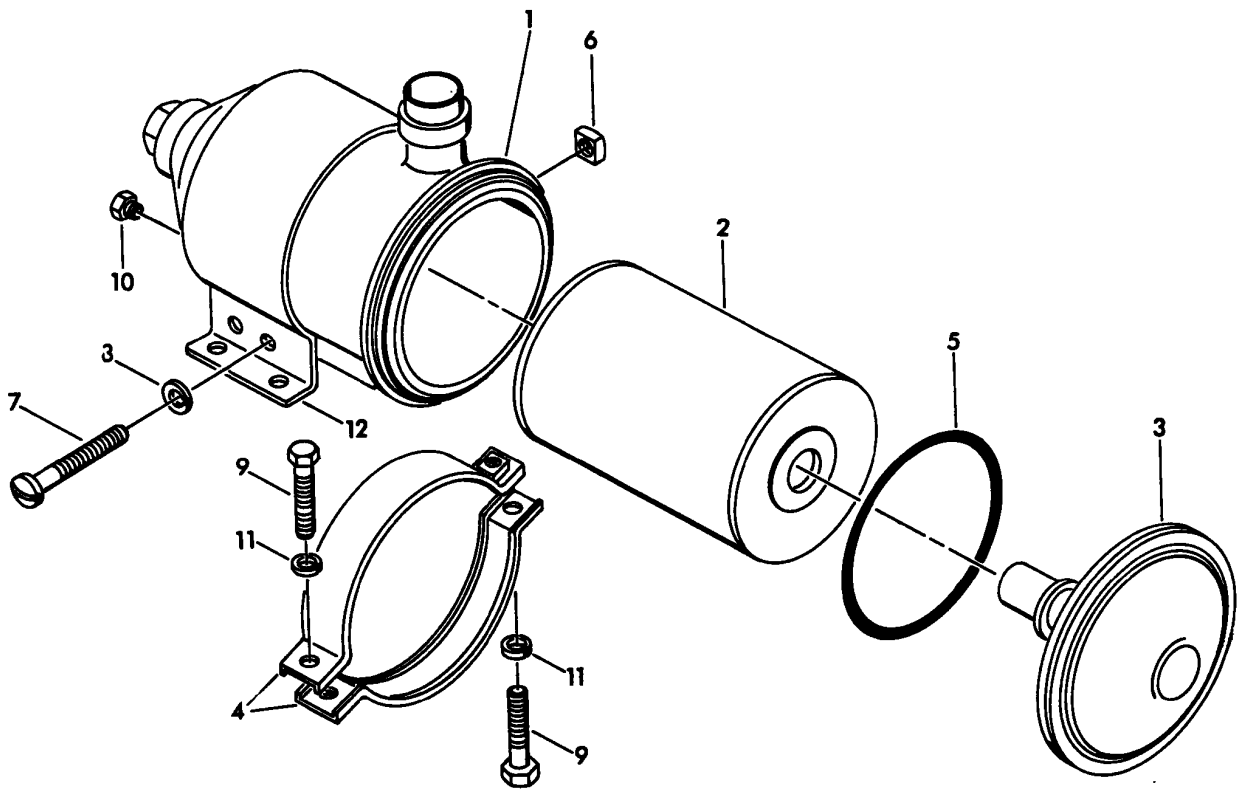
Item	FN	Part	Qty	Description
1		9904102778	1	HOUSING
2	%	9904103230	1	GEAR
3		9904102536	1	ARM, SHIFTER
4		9904102534	1	SHAFT
5		9904102624	1	BLOCK, SHIFT
6		9904102625	1	FORK
7		9904102779	1	PLUNGER
10		9904102535	1	PIN, ROLL 1/4" X 1 1/2"
11		9274100201	1	SEAL, OIL
12		9904102540	1	PIN, ROLL
13		9904102780	1	BEARING
14	%	9904103231	1	RING, SNAP
15		9904102628	1	PIN, ROLL 1/4" X 1 1/4"
16		7755254000	1	O-RING
17		7755250000	1	O-RING
18		9904102781	4	STUD
20		9904102549	4	NUT, HEX
21		9904102631	1	DISC, SLEEVE
22		9904102782	1	BEARING, THRUST
23		9904102783	1	WASHER,
24	%	9904103232	1	BEARING
7778		9904103233	1	DISCONNECT ASSEMBLY - PUMP

% SEE NOTE AT END OF LIST



# Manitowoc Crane Group

## FILTER - REMOTE MOUNT



7356000015

(SHEET 1 OF 1)

36XXXe 256

# Manitowoc Crane Group

Description

**TORQUE CONVERTER ASSEMBLY REMOTE MOUNT - OIL FILTER**

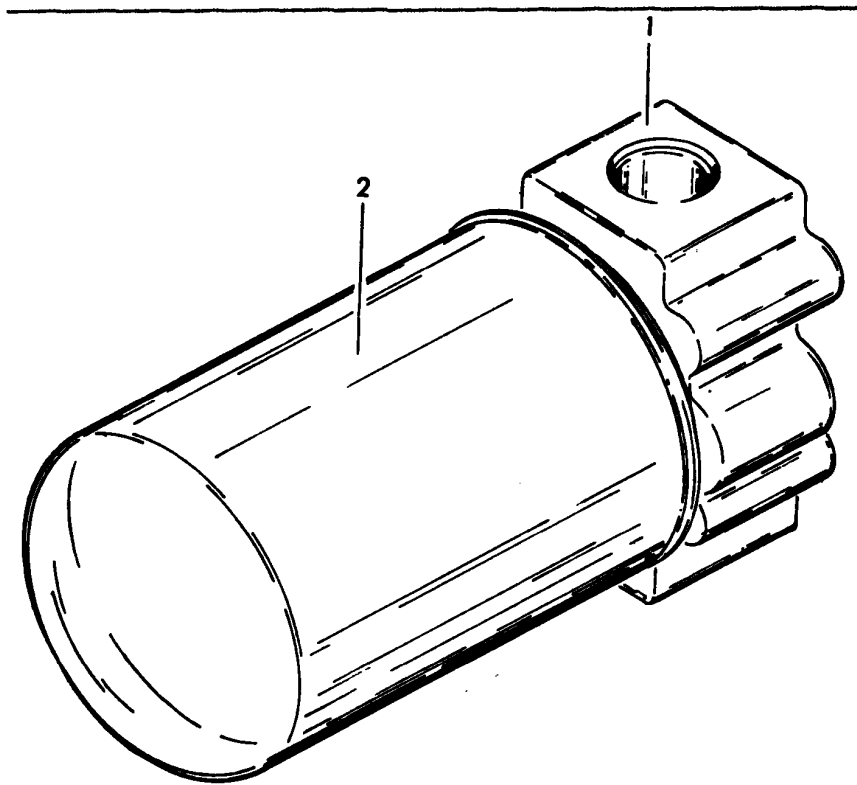
Assembly No.

**7356000015**

Revision:

Item	FN	Part	Qty	Description
1		9904102632	1	CASE ASSEMBLY
2		9904102633	1	ELEMENT ASSY
3		9904102634	1	VALVE ASSY COVER AND BY-PASS
4		9904102635	1	CLAMP RING ASSY
5		9904102636	1	GASKET
6		9904102637	2	NUT
7		9904102638	2	SCREW
8		9904102639	2	LOCKWASHER
9		9904102640	2	CAP SCREW,
10		9904102641	1	PLUG
11		9904102642	2	LOCKWASHER
12		9904102643	1	BRACKET ASSEMBLY
13		9904102762	1	FILTER,OIL - REMOTE MOUNT

# Manitowoc Crane Group



735600015

(SHEET 1 OF 1)

36XXX Page 258

# Manitowoc Crane Group

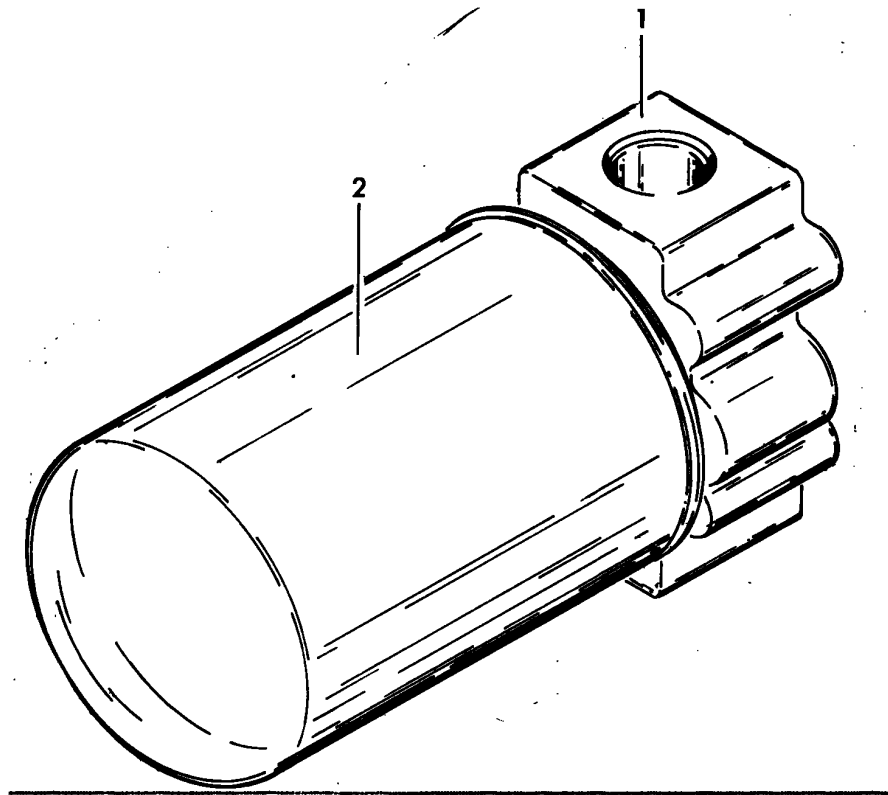
Description  
**TORQUE CONVERTER ASSEMBLY FILTER ASSEMBLY**

Assembly No.  
**7356000015**  
 Revision:

Item	FN	Part	Qty	Description
1 2 7778	#	NS 9904103228 7437000055	1 1 1	NOT SERVICED FILTER FILTER ASSEMBLY - OIL

# SERVICED AS AN ASSEMBLY ONLY

# Manitowoc Crane Group



7437000055

(SHEET 1 OF 1)

36XXX e 260

# Manitowoc Crane Group

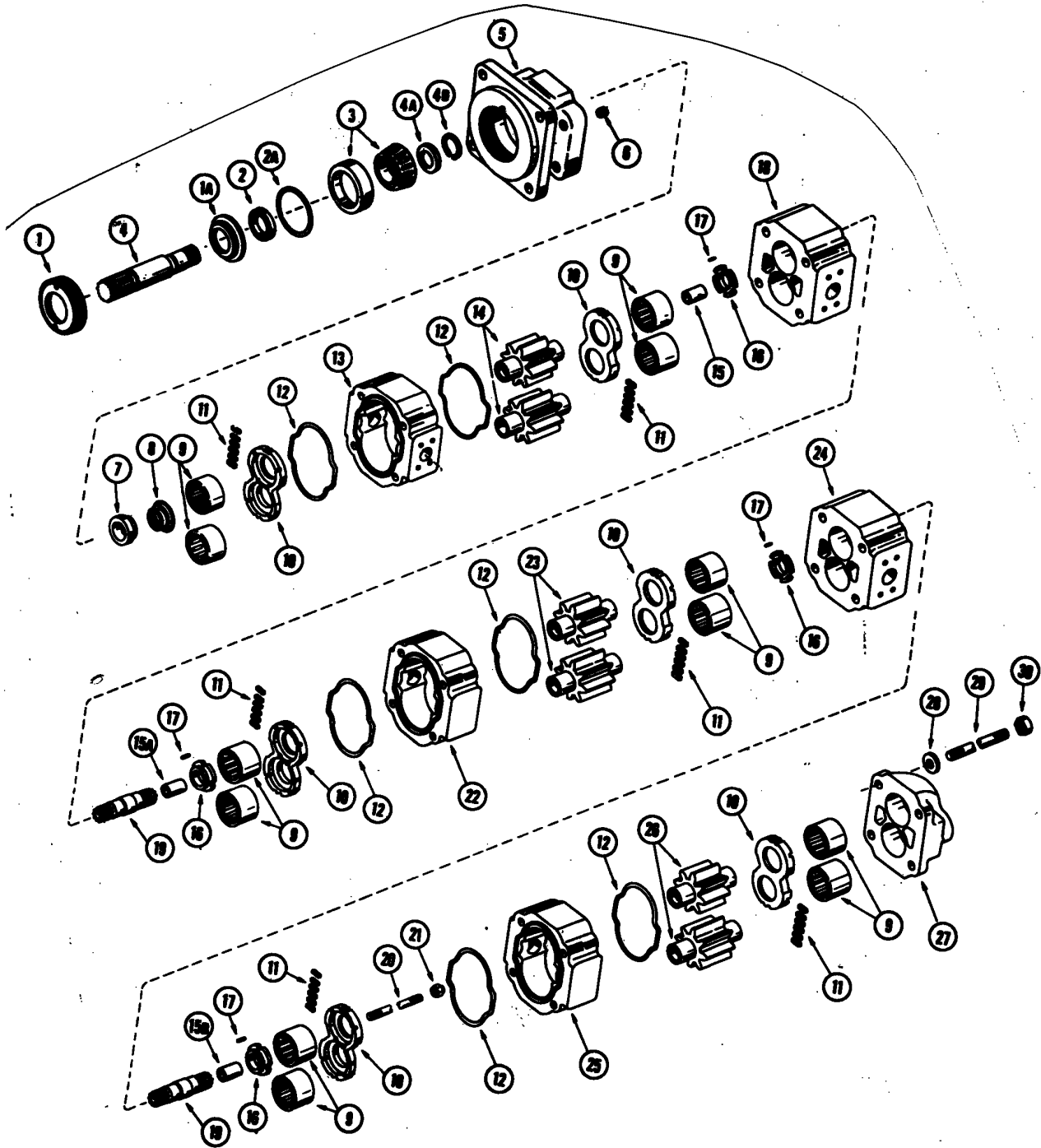
Description  
FILTER ASSEMBLY - OIL

Assembly No.  
**7437000055**  
Revision:

Item	FN	Part	Qty	Description
1	#	NS	1	NOT SERVICED BASE ASSEMBLY
2		9904103228	1	FILTER

# SERVICED AS AN ASSEMBLY ONLY

# Manitowoc Crane Group



# Manitowoc Crane Group

Description

**PUMP ASSEMBLY - TRIPLE**

Assembly No.

**7722000088**

Revision:

Item	FN	Part	Qty	Description
1		9722100018	1	RING, RETAINING
1		9722100021	1	RETAINER, SEAL
2	*	9722100019	1	SEAL, DOUBLE LIP
2	*	7755228000	1	O-RING
3		9722100024	1	BEARING, ROLLER
4		9722100020	1	SHAFT, DRIVE
4		9722100025	1	SPACER
4		9722100026	1	RING, SNAP
5		9722100022	1	COVER, SHAFT END
6		9722100372	1	PLUG
7		9722100027	1	BUSHING, BRONZE
8		9722100028	1	SPRING, CONICAL
9		9722100029	12	BEARING
10		9722100031	6	PLATE, THRUST
11	*	9722100050	3	SEAL, POCKET
12	*	9722100030	6	O-RING
13		9722100599	1	HOUSING, GEAR
14		9722100033	1	GEAR, DRIVE 1-SET
15		9722100032	1	SPACER
15		9722100373	1	SPACER
15		9722100055	1	SPACER
16		9722100036	4	BUSHING, SHAFT
17		9722100056	4	PIN, ROLL
18		9722100080	1	CARRIER, BEARING
19		9722100037	2	SHAFT, CONNECTING
20		9722100384	1	STUD, CONNECTING
21		9722100042	1	LOCKNUT
22		9722100074	1	HOUSING, GEAR
23		9722100075	1	GEAR, DRIVE 1-SET
24		9722100618	1	CARRIER, BEARING
25		9722100053	1	HOUSING, GEAR
26		9722100054	1	GEAR, DRIVE 1-SET

\* REPAIR KIT AND/OR PART OF KIT



# Manitowoc Crane Group

Description

**PUMP ASSEMBLY - TRIPLE**

Assembly No.

**7722000088**

Revision:

Item	FN	Part	Qty	Description
27		9722100045	1	COVER, PORT END
28		9722100046	4	WASHER,
29		9722100386	4	FASTNER
30		9722100229	4	NUT, HEX
31	*	9752100253	1	KIT, REPAIR

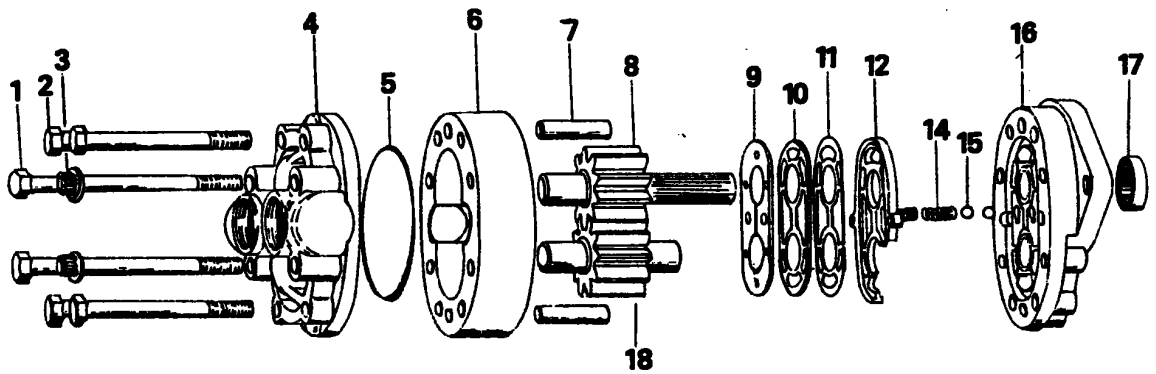
\* REPAIR KIT AND/OR PART OF KIT

# ***Manitowoc Crane Group***

Notes

---

# Manitowoc Crane Group



7722000073

(SHEET 1 OF 1)

36XXXe 266

# Manitowoc Crane Group

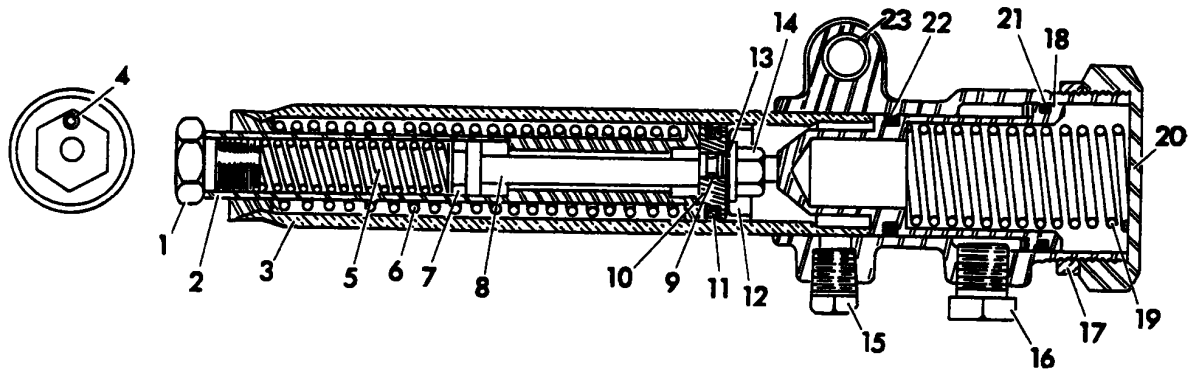
Description  
**PUMP ASSEMBLY - STEERING**

Assembly No.  
**7722000073**  
 Revision: #

Item	FN	Part	Qty	Description
1		9722100002	2	CAPSCREW, NEAR
2		9722100003	4	GEAR, DRIVE
3		9722100001	2	CAPSCREW, FAR
4		9722100653	1	PLATE, BACK
5	*	9722100254	1	O-RING
6		9722100655	1	BODY
7		9722100230	2	PIN, DOWEL
8		9722100252	1	GEAR, DRIVE
9	*	9722100013	1	DIAPHRAGM
10	*	9722100012	1	GASKET, BACK-UP
11	*	9722100010	1	GASKET, PROTECTOR
12	*	9722100014	1	SEAL, DIAPHRAGM
14	*	9722100016	2	SPRING
15	*	9722100005	2	BALL
16		9722100654	1	PLATE, FRONT
17	*	9722100009	1	SEAL, SHAFT
18		9722100253	1	GEAR, IDLER
19	*	9722100255	1	KIT, REPAIR

\* REPAIR KIT AND/OR PART OF KIT

# Manitowoc Crane Group



7372000303

(SHEET 1 OF 1)

36XXXe 268

# Manitowoc Crane Group

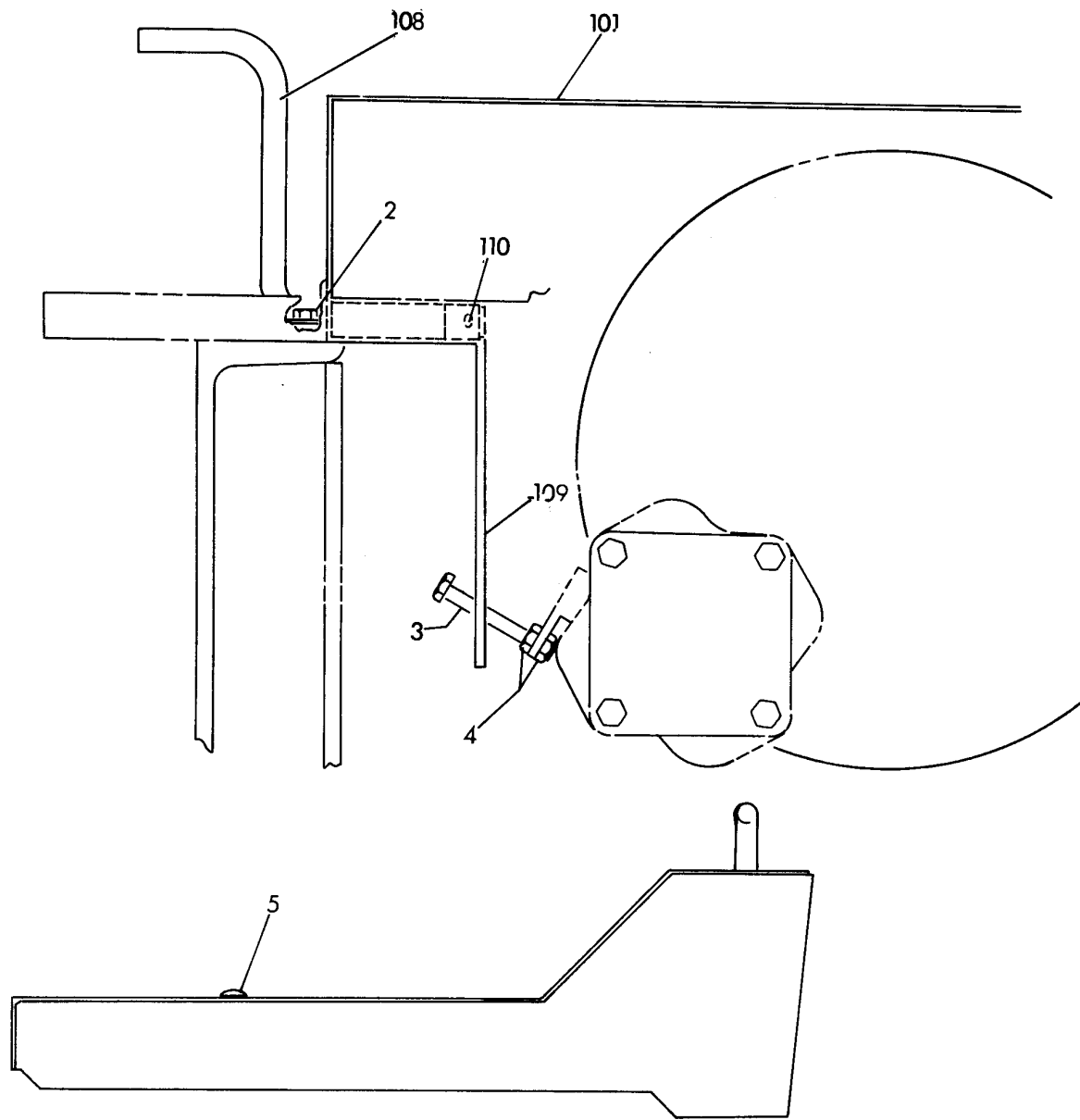
Description  
CYLINDER ASSEMBLY - THROTTLE

Assembly No.  
**7372000303**  
Revision:

Item	FN	Part	Qty	Description
1		9372100311	1	ADAPTER, TUBE-PUSH
2		9372100312	1	TUBE, PUSH
3		9372100313	1	BUSHING, CYLINDER
4		9372100314	1	SET SCREW
5		9372100315	1	SPRING, TAKE-UP
6		9372100316	1	SPRING, GRADUATING
7	*	9372100317	1	OILER, BELT
8		9372100318	1	ROD, PISTON
9	*	9372100319	1	GROMMET
10		9372100320	1	PISTON, THROTTLE
11	*	9372100321	1	OILER, FELT
12	*	9372100322	1	CUP, PACKING-PISTON
13		9372100323	1	FOLLOWER
14		9372100324	1	NUT, HEX
15		9372100325	1	PLUG, PORT-THROTTLE VALVE
16		9372100326	1	PLUG
17		9372100327	1	NUT
18		9372100328	1	PISTON
19		9372100329	1	SPRING
20		9372100330	1	CAP, CYLINDER
21	*	9372100331	1	GROMMET
22	*	9372100332	1	GROMMET
23		9372101226	1	BUSHING
24	*	9372101949	0	KIT, REPAIR

\* REPAIR KIT AND/OR PART OF KIT

# Manitowoc Crane Group



# Manitowoc Crane Group

Description

**COVER AND DISCONNECT HANDLE INSTALLATION - PUMP**

Assembly No.

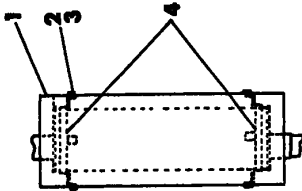
**2161600017**

Revision: **A**

Item	FN	Part	Qty	Description
2		<b>7790140853</b>	1	SCREW, SELF-TAPPING 1/4" - 20 N.C. X 1/2"
3		<b>7115162850</b>	4	CAP SCREW, 3/8" - 16 N.C. X 3 1/2" GRADE 5
4		<b>7660160000</b>	2	NUT, HEX 3/8" - 16 N.C.
5		<b>7242000017</b>	1	BUTTON, PLUG
101		<b>2161600019</b>	1	COVER
108		<b>2161600016</b>	1	HANDLE
109		<b>2161600015</b>	1	ARM, PIVOT
110		<b>7690141645</b>	1	PIN, ROLL 1/4" X 1"

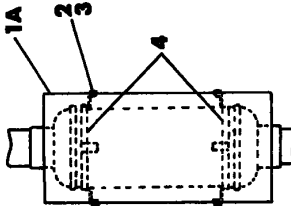


# Manitowoc Crane Group

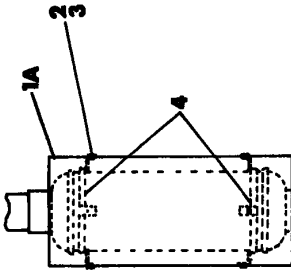


6-814-000102

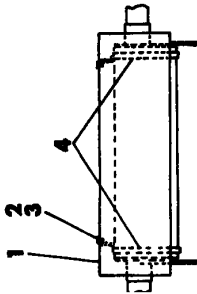
USE ON ALL FORD 300 & 391 ENGINE INSTALLATIONS WITH VERTICAL MUFFLERS.



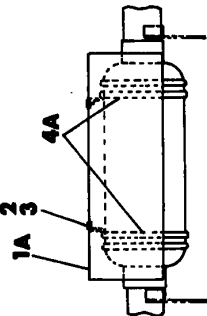
USE ON ALL CUMMINS V-378-C140 ENGINE INSTALLATIONS WITH VERTICAL MUFFLERS.



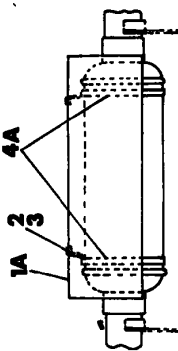
USE ON ALL CUMMINS CS-464-C180, CAT. 3145, (GMC 3-53N-RT'S ONLY) GMC 4-53N & CUMMINS V-504-C185 ENGINE INSTALLATIONS WITH VERTICAL MUFFLERS.



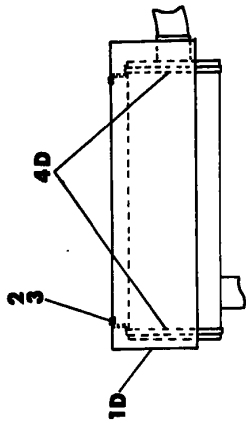
USE ON ALL FORD 300 & 391 ENGINE INSTALLATIONS WITH HORIZONTAL MUFFLERS.



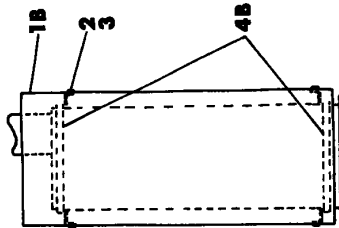
USE ON ALL CUMMINS V-378 (EXCEPT RT48/49 & RT58), INTERNATIONAL UC-301, & (GMC 3-53N-RT'S ONLY) ENGINE INSTALLATIONS WITH HORIZONTAL MUFFLERS.



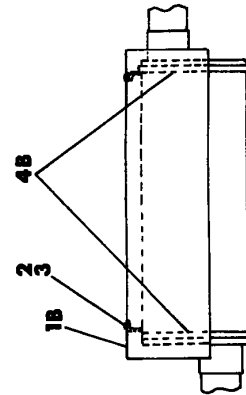
USE ON ALL CUMMINS V-504-C185, CAT. 3145, CAT. 3150, (GMC 3-53N-IND. ONLY) ENGINE INSTALLATIONS WITH HORIZONTAL MUFFLERS.



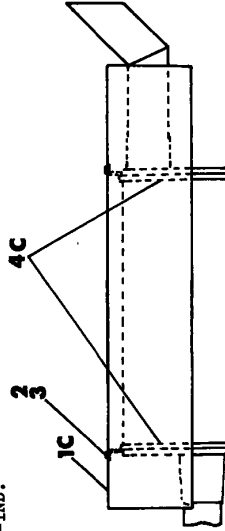
USE ON ALL CUMMINS V-378 ENGINE INSTALLATIONS IN RT48/49 AND RT58, AND ALL GMC 4-53N ENGINE INSTL'S. WITH HORIZONTAL MUFFLERS AND ALL ENGINES ON THE RT60 & RT60S.



USE ON ALL CAT. 3160, GMC 6-53N, CUMMINS V-504-C & V-555-C ENGINE INSTALLATIONS WITH VERTICAL MUFFLERS.



USE ON ALL GMC 6-53N, ENGINE INSTALLATIONS WITH HORIZONTAL MUFFLERS.



USE ON CAT 3145 ENGINE INSTALLATION (1012 IND. ONLY)

# Manitowoc Crane Group

Description  
**GUARD INSTALLATION - MUFFLER**  
**(NOT AVAILABLE AS ASSEMBLY)**

Assembly No.  
**6814000102**  
Revision:

Item	FN	Part	Qty	Description
1		6814000100	1	GUARD, MUFFLER ( USE WITH CUMMINS V-378-C140, INTERNATIONAL VC-301 AND GMC 3 -53N RT'S ONLY )
1		6814000101	1	GUARD, MUFFLER ( USE ON ALL FORD 300 AND 391 ENGINE INSTALLATIONS WITH VERTICAL MUFFLERS )
1		6814000130	1	GUARD, MUFFLER ( USE WITH CAT. 3145 ENGINE INSTALLATION 1012 IND. ONLY )
1		6814000132	1	GUARD, MUFFLER ( USE WITH CUMMINS V-378 ENGINE INSTALLATION, RT48/49, RT58. ALL GMC 4-53N ENGINE INSTALLATIONS WITH HORIZONTAL MUFFLERS EXCEPT RT48/49, 58 AND 60/60S. CAT AND CUMMINS ENGINES ON THE RT60/60S. )
2		6312000048	6	CLIP
3		7791141250	6	SCREW, SELF-DRILLING 1/4"
4		7300000112	2	CLAMP ( USE WITH CUMMINS V-378-C140, INTERNATIONAL VC-301 AND GMC 3-53N RT'S ONLY )
4		7300000111	2	CLAMP -USE WITH FORD 300 ENGINE (OPTIONAL) ( USE ON ALL FORD 300 AND 391 ENGINE INSTALLATIONS WITH VERTICAL MUFFLERS )
4		7300000127	2	CLAMP -USE WITH FORD 391 OR CUMMINS V-378 ENGINE (OPTIONAL) ( USE WITH CUMMINS V-378 ENGINE INSTALLATION RT48, RT49, AND RT58. ALL GMC 4-53N ENGINE INSTALLATIONS WITH HORIZONTAL MUFFLERS EXCEPT RT48, RT49, RT58, AND RT60/60S. CAT. AND

# Manitowoc Crane Group

Description

**GUARD INSTALLATION - MUFFLER  
(NOT AVAILABLE AS ASSEMBLY)**

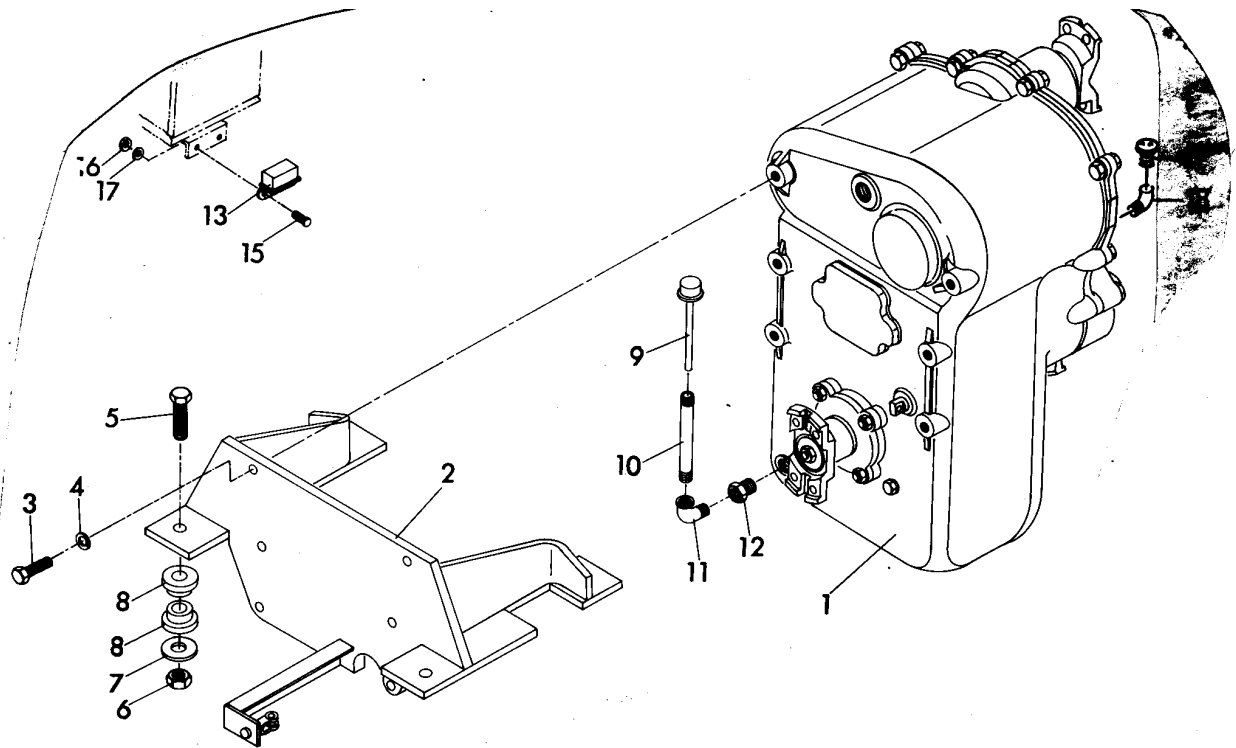
Assembly No.

**6814000102**

Revision:

Item	FN	Part	Qty	Description
				CUMMINS ENGINES ON THE RT60/60S )

# Manitowoc Crane Group



6904000052

(SHEET 1 OF 1)

36XXXe 276

# Manitowoc Crane Group

Description  
**TRANSMISSION INSTALLATION**

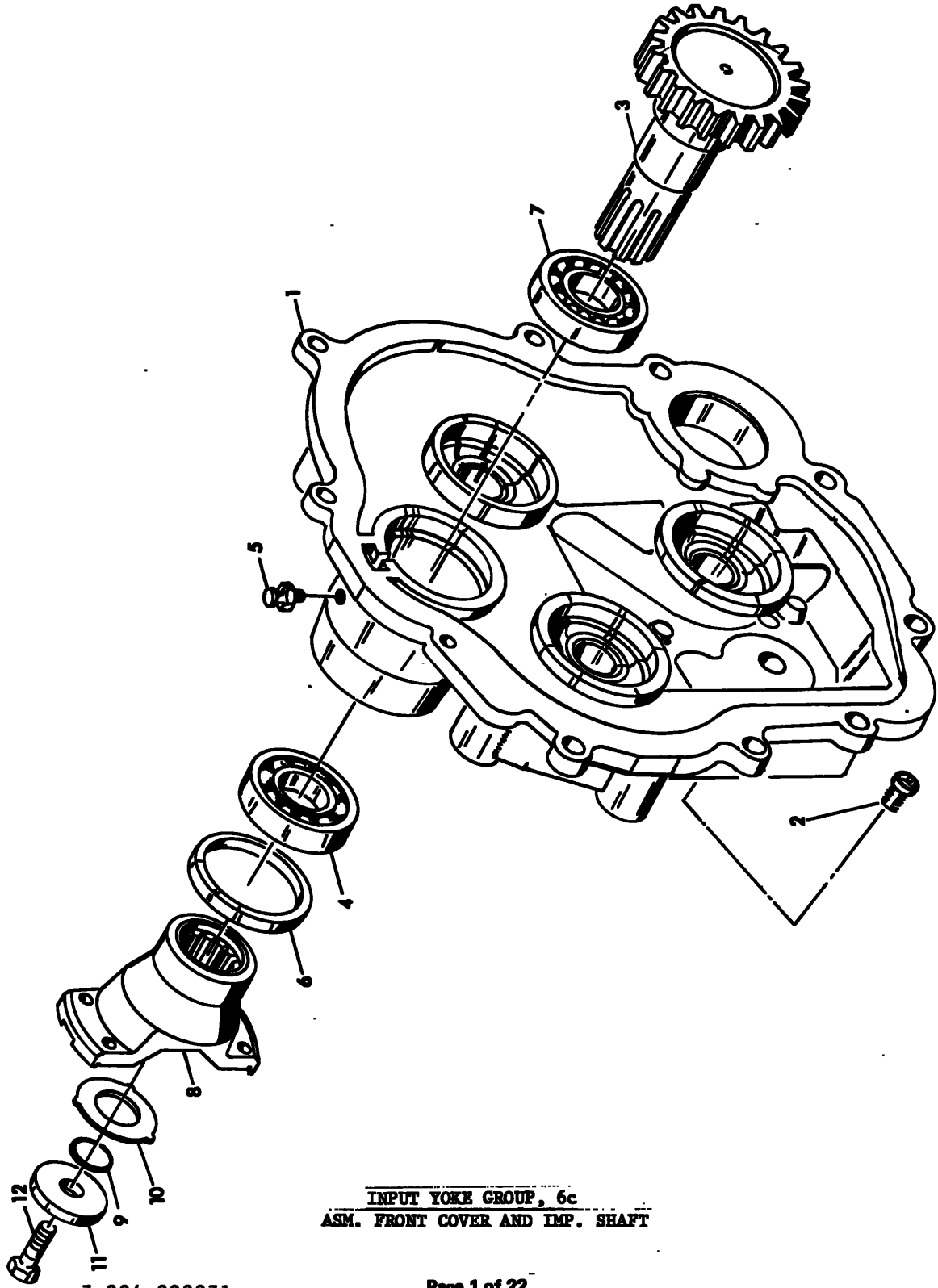
Assembly No.  
**6904000052**  
Revision: **H**

Item	FN	Part	Qty	Description
1	+	7904000071	1	TRANSMISSION ASSEMBLY
2		6638000100	1	MTG WELD
3		7115201450	6	CAP SCREW, 5/8" - 11 N.C. X 1 3/4" GRADE 5
4		7950200050	6	WASHER, 5/8" I.D. LOCK
5		7115203650	4	CAP SCREW, 5/8" - 11 N.C. X 4 1/2" GRADE 5
6		7660201600	4	LOCKNUT, HEX 5/8" - 11 N.C.
7		7949000148	4	WASHER, 5/8" I.D. FLAT
8	#	7638000025	8	MOUNT, CENTER BONDED
9		6486000390	1	DIPSTICK
10		6650060680	1	NIPPLE
11		7444060670	1	FITTING, 90 DEGREE ELBOW
12		7444100850	1	BUSHING, REDUCER
13	#	7750000019	1	RELAY
15		7112140650	2	CAPSCREW, HEX HEAD REPLACED BY 7115140650 1/4"-20 NC X 3/4"
16		7660140000	2	NUT, HEX 1/4" - 20 N.C.
17		7950140050	2	LOCKWASHER, 1/4" I.D.
18		7444010190	1	ELBOW, 45 DEGREE
19		7872000197	1	SWITCH, PRESSURE

+ SEE FURTHER BREAKDOWN THIS GROUP

# SERVICED AS AN ASSEMBLY ONLY

# Manitowoc Crane Group



**INPUT YOKE GROUP, 6c**  
**ASM. FRONT COVER AND IMP. SHAFT**

7-904-000071

Page 1 of 22

# Manitowoc Crane Group

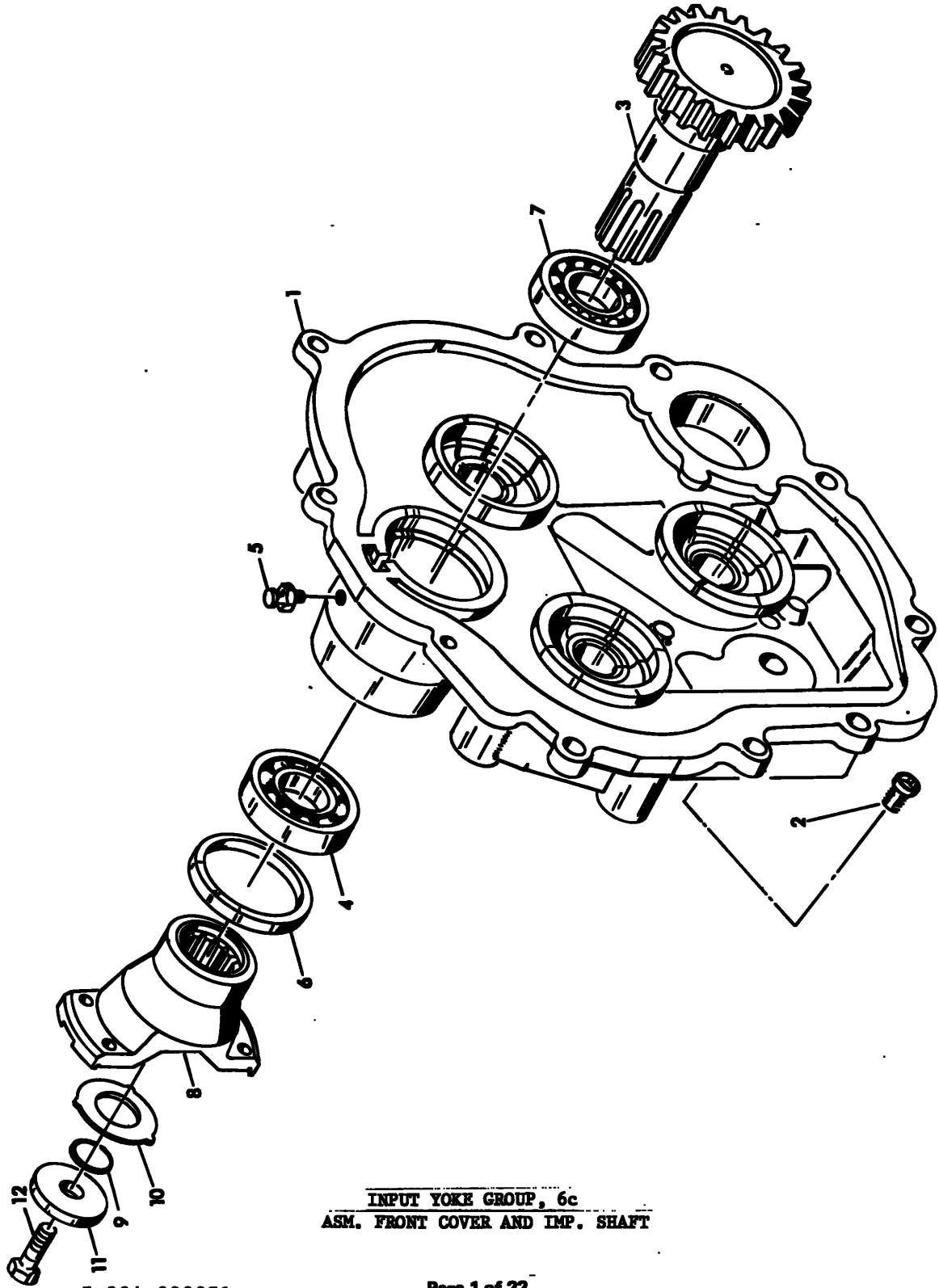
Description  
**TRANSMISSION ASSEMBLY**

Assembly No.  
**7904000071**  
 Revision:

Item	FN	Part	Qty	Description
1	+	7904000071	1	TRANSMISSION ASSEMBLY FRONT COVER AND INPUT SHAFT ASSEMBLY
2	+	7904000071	1	TRANSMISSION ASSEMBLY MAIN CASE GROUP
3	+	7904000071	1	TRANSMISSION ASSEMBLY FIRST STAGE CLUTCH ASSEMBLY
4	+	7904000071	1	TRANSMISSION ASSEMBLY SECOND STAGE CLUTCH ASSEMBLY
5	+	7904000071	1	TRANSMISSION ASSEMBLY THIRD CLUTCH GROUP
6	+	7904000071	1	TRANSMISSION ASSEMBLY OIL STRAINER GROUP
7	+	7904000071	1	TRANSMISSION ASSEMBLY OIL STRAINER GROUP
8	+	7904000071	1	TRANSMISSION ASSEMBLY OIL RETAINER GROUP
9	+	7904000071	1	TRANSMISSION ASSEMBLY DISCONNECT OUTPUT ASSEMBLY
10	+	7904000071	1	TRANSMISSION ASSEMBLY OUTPUT GROUP
11	+	7904000071	1	TRANSMISSION ASSEMBLY YOKE GROUP

+ SEE FURTHER BREAKDOWN THIS GROUP

# Manitowoc Crane Group



**INPUT YOKE GROUP, 6c**  
**ASM. FRONT COVER AND IMP. SHAFT**

7-904-000071

Page 1 of 22



# Manitowoc Crane Group

Description

**TRANSMISSION ASSEMBLY FRONT COVER AND INPUT  
SHAFT ASSEMBLY**

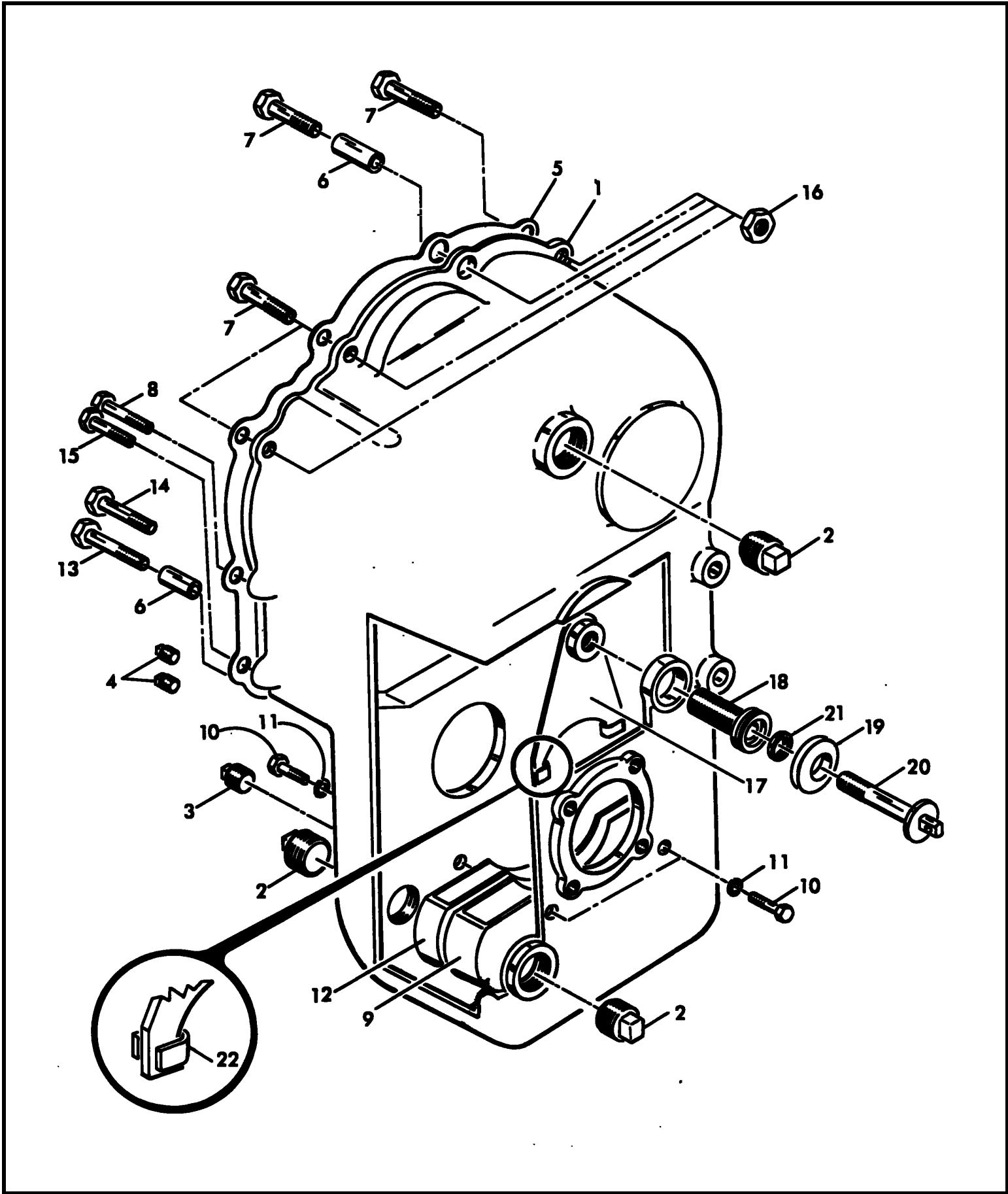
Assembly No.

**7904000071**

Revision:

Item	FN	Part	Qty	Description
1		9904103227	1	COVER
2		9904103201	1	VALVE
3		9904103204	1	SHAFT
4		7069000133	1	BEARING, BALL
5		9722100542	1	BREATHER
6		9904102415	1	SEAL, OIL
7		9904103202	1	BEARING
8		9904102418	1	YOKE
9		7755114000	1	O-RING
10		9904102419	1	GASKET
11		9904102416	1	WASHER,
12		9904102773	1	CAP SCREW,

# Manitowoc Crane Group



7904000071

(SHEET 1 OF 1)

36XXXe 282

# Manitowoc Crane Group

Description

**TRANSMISSION ASSEMBLY MAIN CASE GROUP**

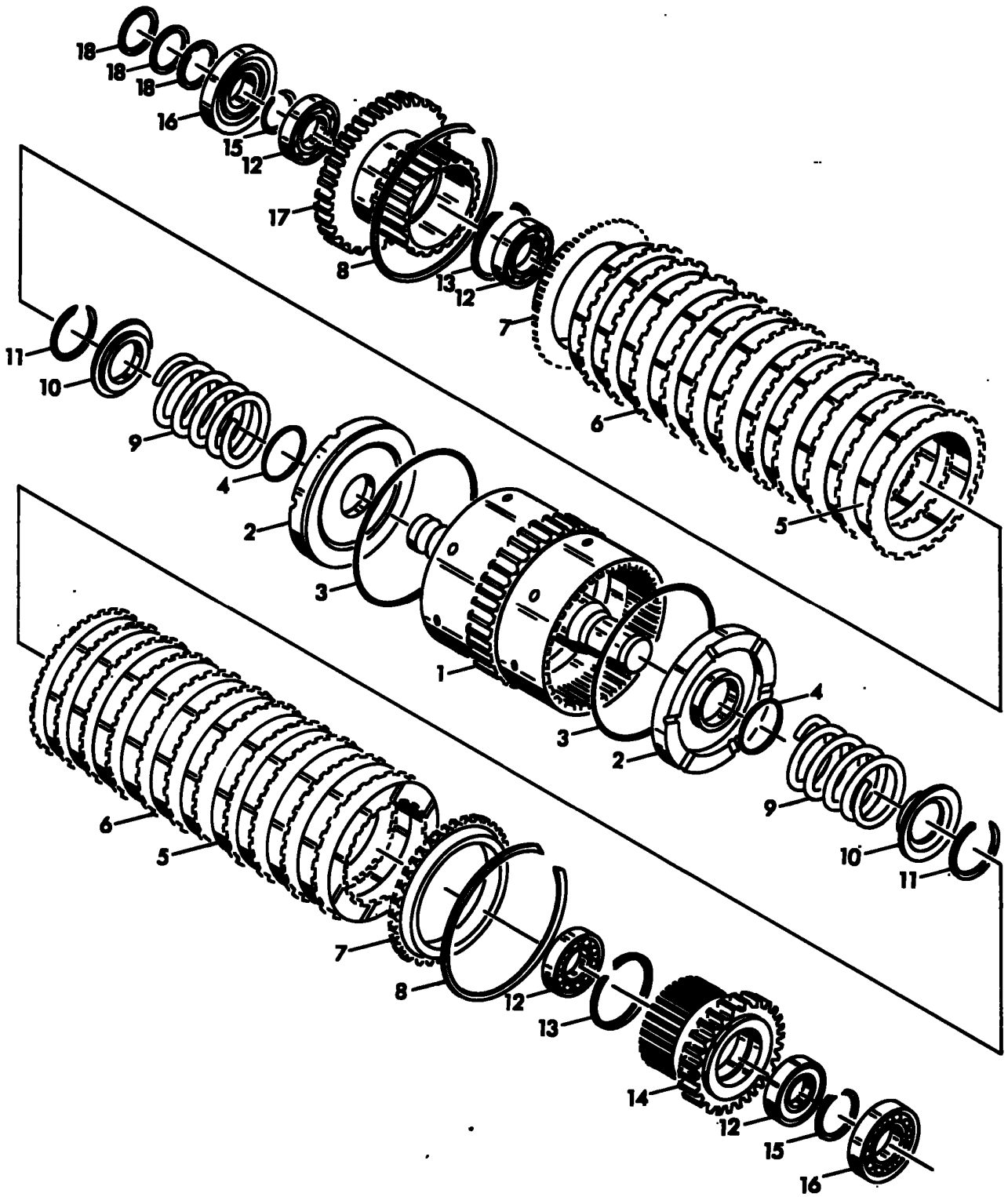
Assembly No.

**7904000071**

Revision:

Item	FN	Part	Qty	Description
1		9904103121	1	MAIN CASE
2		9904102422	3	PLUG
3		9904102787	1	PLUG
4		9904102424	2	PLUG
5		9904102425	1	GASKET
6		9904102426	2	BUSHING
7		9904102788	4	CAP SCREW,
8		9904102427	2	CAP SCREW,
9		9904102429	1	TROUGH, OIL
10		9904102789	2	3/8"-16 N.C. X 7/8"
11		9904100615	4	WASHER,
12		9904102433	1	TROUGH, OIL
13		9904102790	1	CAP SCREW,
14		9904102482	1	1/2"-13 NC X 2 3/4"
15		9904102531	2	CAP SCREW, 1/2" - 13 N.C. X 1 1/4"
16		7660180000	4	NUT, 1/2" - 13 N.C. HEX HEAD
17		9904102432	1	FORK
18		9904103107	1	SLEEVE
19		9904103109	1	BOOT, RUBBER
20		9904103108	1	SHAFT ASSY, SHIFTER
21		9274100201	1	SEAL, OIL
22		9904102791	2	CLIP

# Manitowoc Crane Group



790400071

(SHEET 1 OF 1)

36XXXe 284

# Manitowoc Crane Group

Description

**TRANSMISSION ASSEMBLY FIRST STAGE CLUTCH ASSEMBLY**

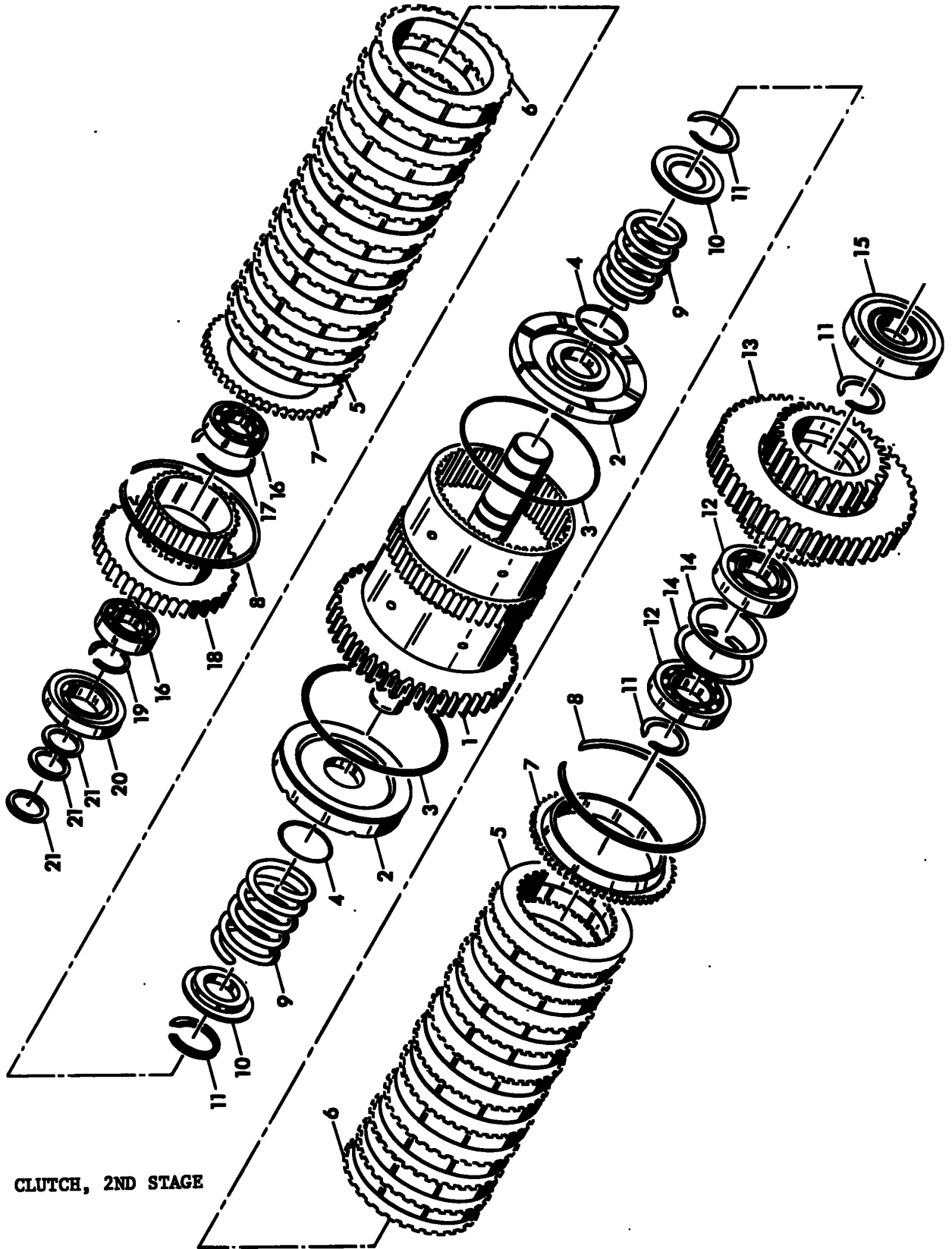
Assembly No.

**7904000071**

Revision:

Item	FN	Part	Qty	Description
1		9904102434	1	CLUTCH
2		9904102435	2	PISTON, CLUTCH
3		9904102436	2	SEAL, RING
4		7755328000	2	O-RING
5		9904102438	22	PLATE,CLUTCH
6		9904102439	22	SEPARATOR
7		9904102792	2	PLATE
8		9904102441	2	RING, SNAP
9		9904102442	2	SPRING
10		9904102443	2	RETAINER
11		9904102413	2	RING, RETAINING
12		9904102444	4	BEARING
13		9904102445	2	RING, RETAINING
14		9904102446	1	GEAR AND HUB
15		9904102447	2	RING, RETAINING
16		9904102448	2	BEARING
17		9904102449	1	HUB & GEAR
18		9904102793	3	RING, SEAL
19		9904102552	1	CLUTCH ASSEMBLY

# Manitowoc Crane Group



ASM. CLUTCH, 2ND STAGE

7-904-000071

7904000071

(SHEET 1 OF 1)

36XXXe 286

# Manitowoc Crane Group

Description

**TRANSMISSION ASSEMBLY SECOND STAGE CLUTCH ASSEMBLY**

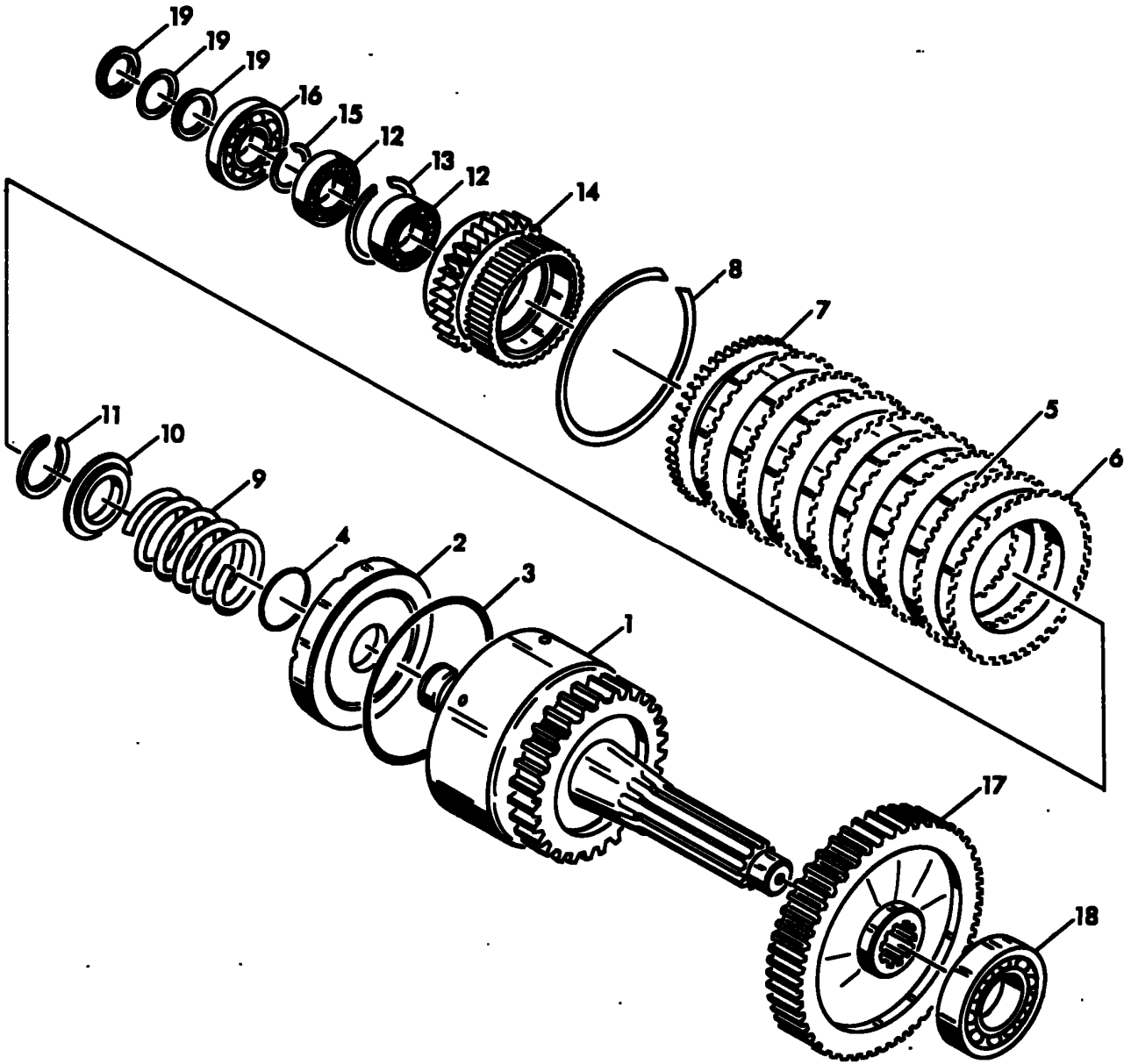
Assembly No.

**7904000071**

Revision:

Item	FN	Part	Qty	Description
1		9904102794	1	CLUTCH WELD
2		9904102435	2	PISTON, CLUTCH
3		9904102436	2	SEAL, RING
4		7755328000	2	O-RING
5		9904102438	22	PLATE,CLUTCH
6		9904102439	22	SEPARATOR
7		9904102792	2	PLATE
8		9904102441	2	RING, SNAP
9		9904102442	2	SPRING
10		9904102443	2	RETAINER
11		9904102413	4	RING, RETAINING
12		9904102461	2	BEARING
13		9904102462	1	GEAR & HUB
14		9904102463	2	RING, RETAINING
15		9904102459	1	BEARING
16		9904102444	2	BEARING
17		9904102445	1	RING, RETAINING
18		9904102449	1	HUB & GEAR
19		9904102447	1	RING, RETAINING
20		9904102448	1	BEARING
21		9904102793	3	RING, SEAL
22		9904102795	1	CLUTCH

# Manitowoc Crane Group



7904000071

(SHEET 1 OF 1)

36XXXe 288



# Manitowoc Crane Group

Description

**TRANSMISSION ASSEMBLY THIRD CLUTCH GROUP**

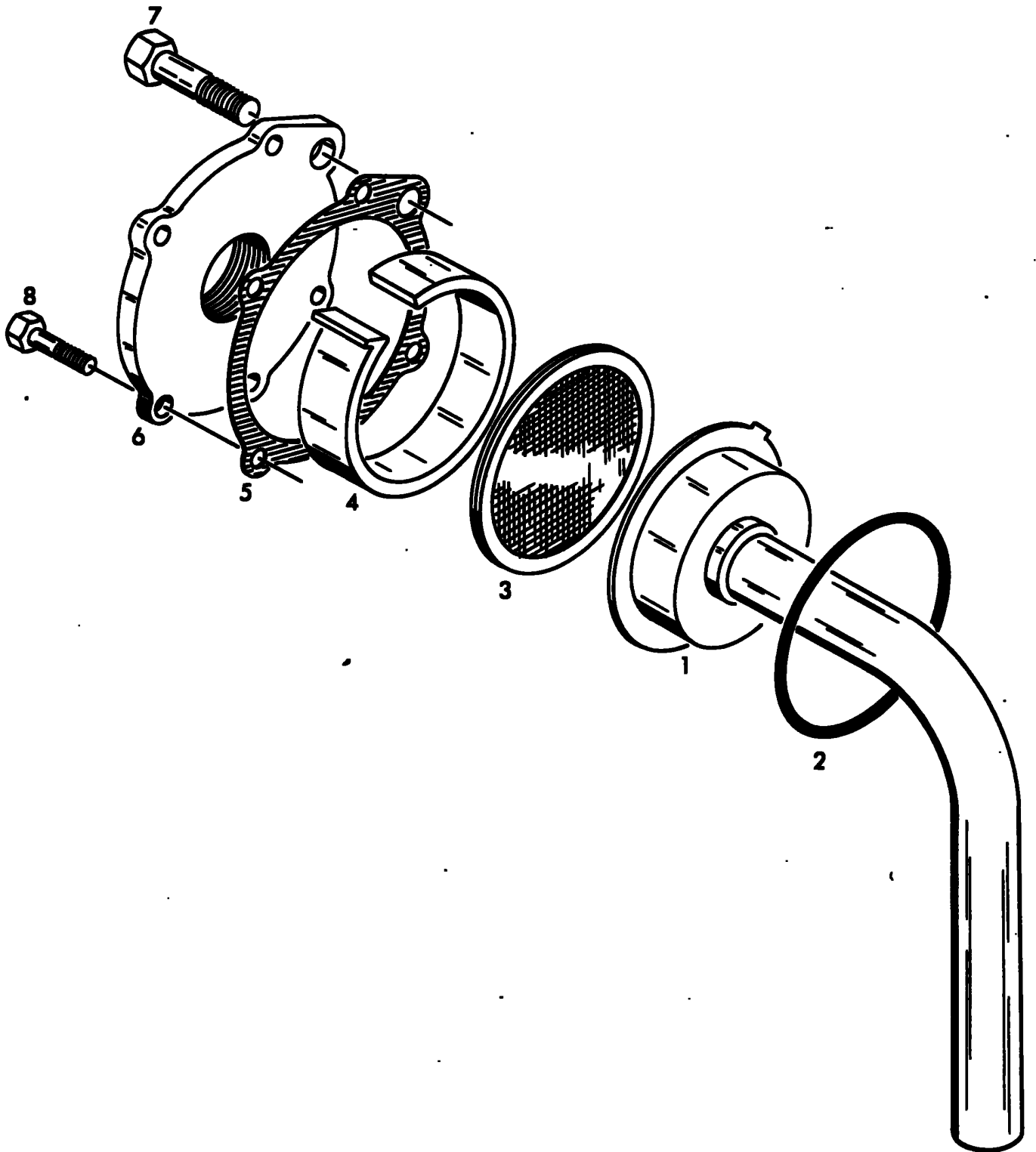
Assembly No.

**7904000071**

Revision:

Item	FN	Part	Qty	Description
1		9904102796	1	CLUTCH
2		9904102452	1	PISTON,CLUTCH
3		9904102436	1	SEAL, RING
4		7755328000	1	O-RING
5		9904102438	8	PLATE,CLUTCH
6		9904102439	8	SEPARATOR
7		9904102792	1	PLATE
8		9904102441	1	RING, SNAP
9		9904102442	1	SPRING
10		9904102443	1	RETAINER
11		9904102413	1	RING, RETAINING
12		9904102444	2	BEARING
13		9904102445	1	RING, RETAINING
14		9904102797	1	GEAR AND HUB
15		9904102447	1	RING, RETAINING
16		9904102448	1	BEARING
17		9904102798	1	GEAR, OUTPUT
18		9904102459	1	BEARING
19		9904102793	3	RING, SEAL
20		9904102554	1	CLUTCH ASSEMBLY

# Manitowoc Crane Group



7904000071

(SHEET 1 OF 1)

36XXXe 290

# Manitowoc Crane Group

Description

**TRANSMISSION ASSEMBLY OIL STRAINER GROUP**

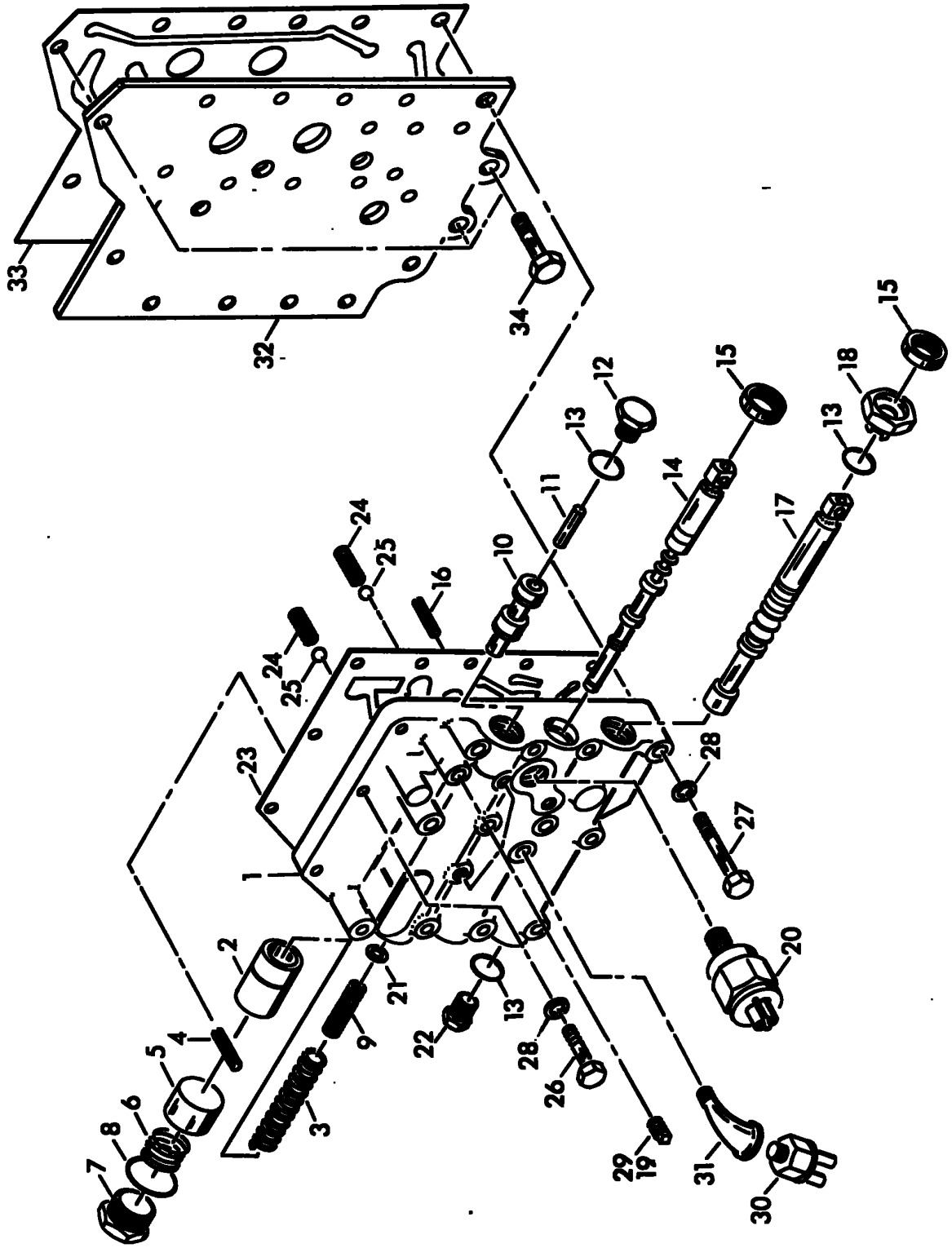
Assembly No.

**7904000071**

Revision:

Item	FN	Part	Qty	Description
1		9904102476	1	STRAINER WELD,OIL
2		7755338000	1	O-RING
3		9904102477	1	SCREEN
4		9904102479	1	SPACER
5		9904102480	1	GASKET
6		9904102481	1	CAP
7		9904102482	1	1/2"-13 NC X 2 3/4"
8		9904102483	6	5/16" - 18 N.C. X 1"

# Manitowoc Crane Group



7904000071

(SHEET 1 OF 1)

36XXXe 292

# Manitowoc Crane Group

Description  
**TRANSMISSION ASSEMBLY OIL STRAINER GROUP**

Assembly No.  
**7904000071**  
 Revision:

Item	FN	Part	Qty	Description
1		9904102799	1	BODY, VALVE
2		9904102500	1	VALVE, MODULATOR
3		9904102501	1	SPRING
4		9904100647	1	PIN
5		9904102498	1	VALVE, DUMP
6		9904102497	1	SPRING
7		9904102495	1	PLUG
8		7755916000	1	O-RING
9		9904102502	1	SPRING
10		9904102503	1	VALVE, MAIN REGULATOR
11		9904102504	1	PIN,DOWEL
12		9904102505	1	PLUG
13		7755910000	3	O-RING
14		9904102800	1	STEM
15		9904102802	2	SEAL, OIL
16		9904102803	1	PIN
17		9904102510	1	STEM ASSY
18		9904102511	1	PLUG
19		9904102512	3	PLUG
20		7872000115	1	SWITCH, NEUTRAL SAFETY
21		9904102515	1	SPACER
22		9904102514	1	PLUG
23		9904102801	1	GASKET
24		9904102520	2	SPRING
25		9904102521	2	BALL
26		9904102804	3	5/16" -18 N.C. X 1 1/5"
27		9904102805	12	5/16" - 18 N.C. X 2 1/2"
28		9904102523	15	WASHER,
29		9904102512	1	PLUG
30		7872000197	1	SWITCH, PRESSURE
31		7444010190	1	ELBOW, 45 DEGREE
32		9904102524	1	SPACER
33		9904102525	1	GASKET
34		9904102526	3	5/16" - 18 N.C. X 5/8"

# Manitowoc Crane Group

Description

**TRANSMISSION ASSEMBLY OIL STRAINER GROUP**

Assembly No.

**7904000071**

Revision:

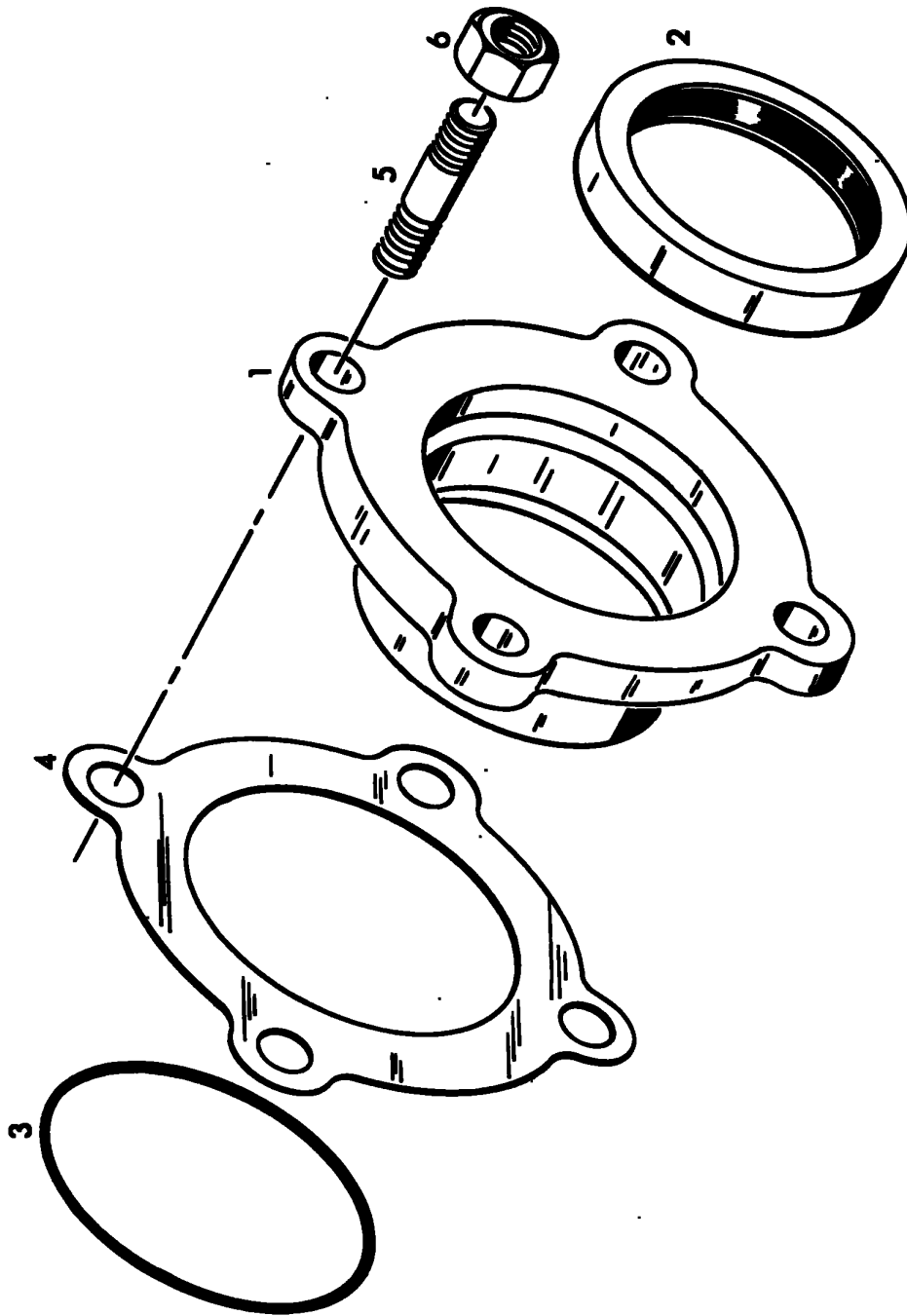
Item	FN	Part	Qty	Description
35		9904103215	1	CONTROL GROUP,VALVE

# ***Manitowoc Crane Group***

Notes

---

# Manitowoc Crane Group





# Manitowoc Crane Group

Description

**TRANSMISSION ASSEMBLY OIL RETAINER GROUP**

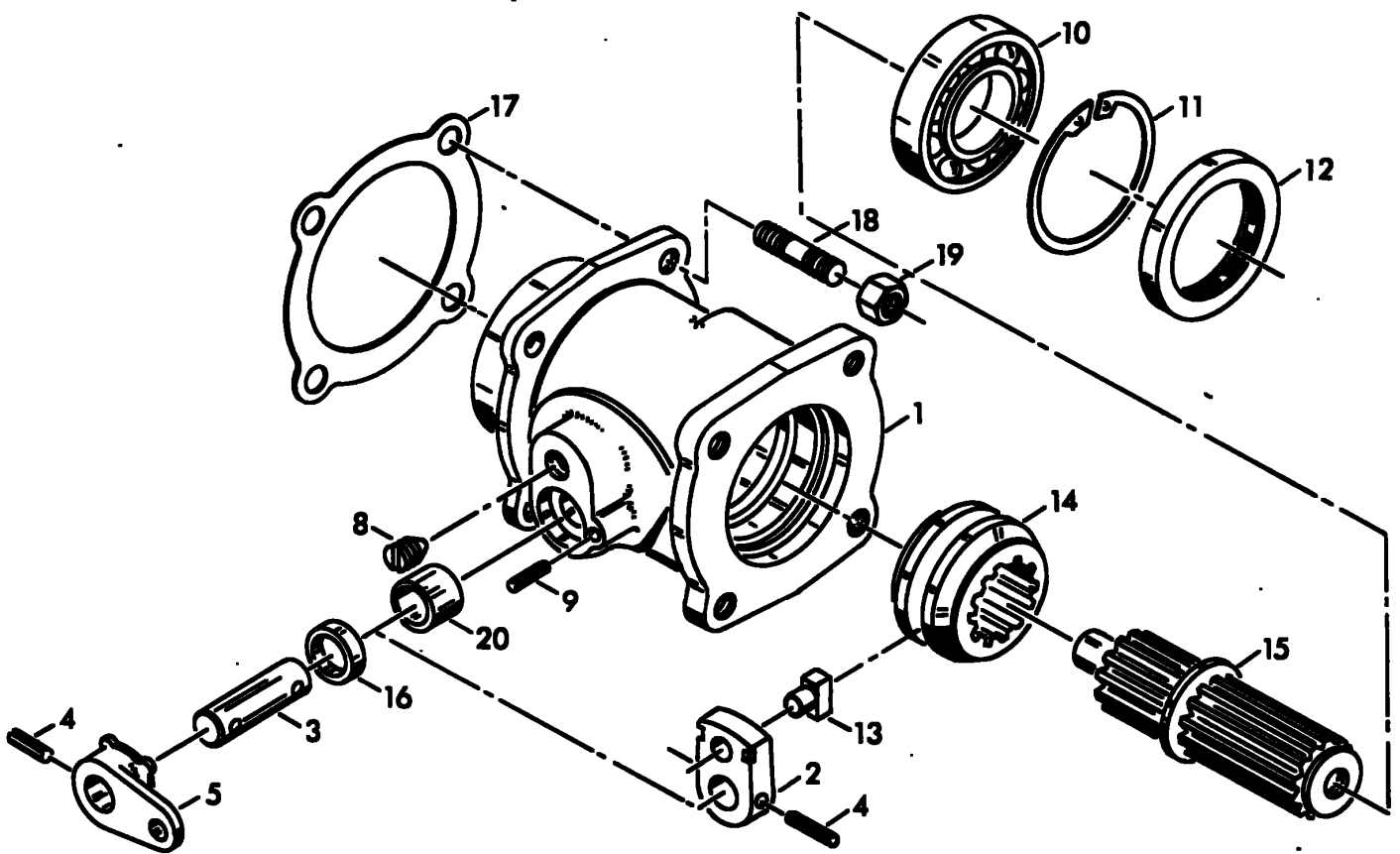
Assembly No.

**7904000071**

Revision:

Item	FN	Part	Qty	Description
1		9904102527	1	RETAINER
2		9904102528	1	SEAL, OIL
3		7755240000	1	O-RING
4		9904102530	1	SHIM,
5		9904102548	4	STUD
6		7660180000	4	NUT, 1/2" - 13 N.C. HEX HEAD

# Manitowoc Crane Group



7904000071

(SHEET 1 OF 1)

36XXXe 298

# Manitowoc Crane Group

Description

**TRANSMISSION ASSEMBLY DISCONNECT OUTPUT ASSEMBLY**

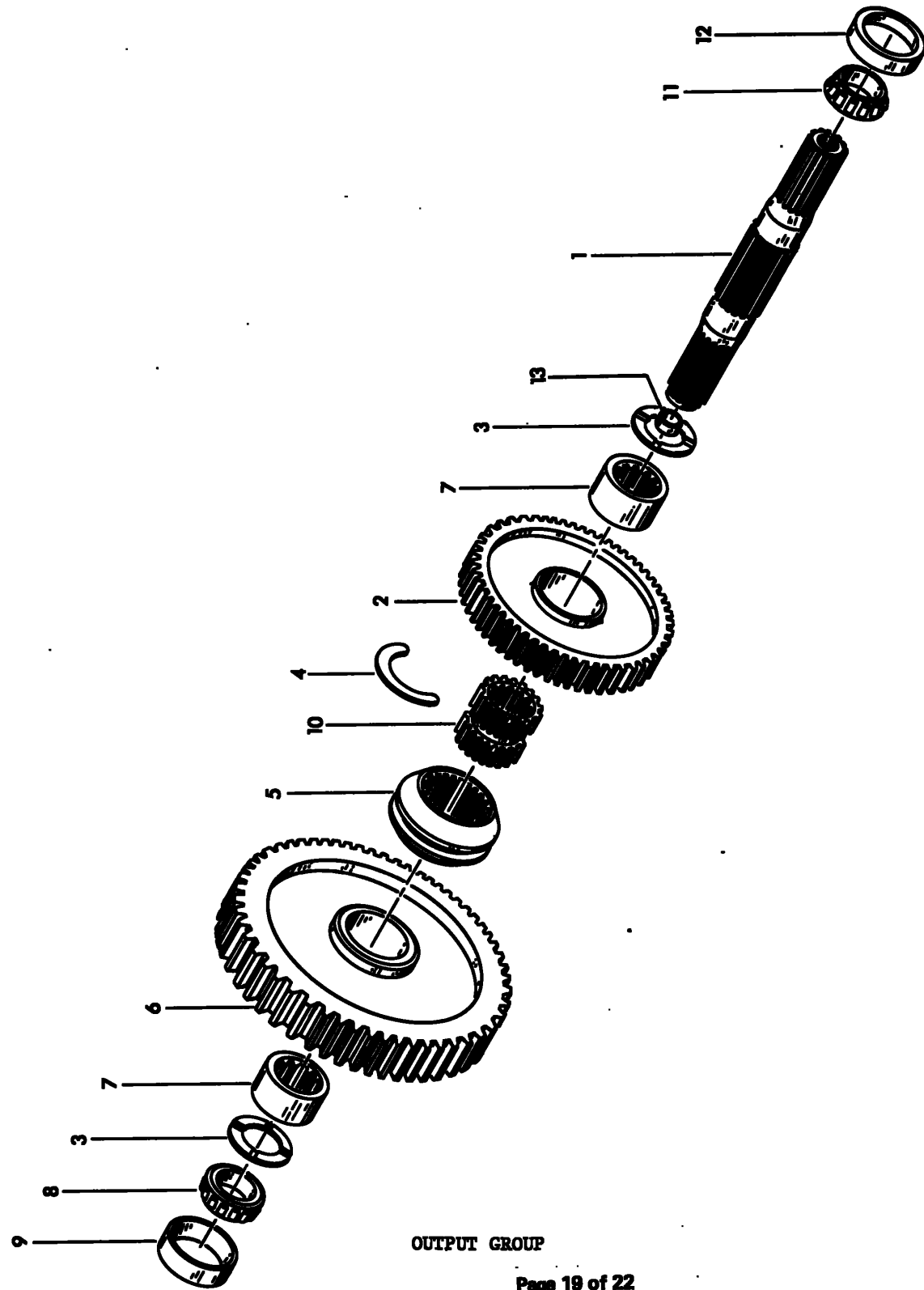
Assembly No.

**7904000071**

Revision:

Item	FN	Part	Qty	Description
1		9904102806	1	HOUSING
2		9904102533	1	BLOCK
3		9904102534	1	SHAFT
4		9904102535	2	PIN, ROLL 1/4" X 1 1/2"
5		9904102536	1	ARM, SHIFTER
8		9904102779	1	PLUNGER
9		9904102540	1	PIN, ROLL
10		9904102541	1	BEARING
11		9904102542	1	RING
12		9904102555	1	SEAL, OIL
13		9904102543	1	FORK
14		9904102544	1	SLEEVE
15		9904102545	1	SHAFT
16		9274100201	1	SEAL, OIL
17		9904102547	1	GASKET
18		9904102548	4	STUD
19		7660180000	4	NUT, 1/2" - 13 N.C. HEX HEAD
20		9904102782	1	BEARING, THRUST

# Manitowoc Crane Group



OUTPUT GROUP

Page 19 of 22

-904-000071

# Manitowoc Crane Group

Description

**TRANSMISSION ASSEMBLY OUTPUT GROUP**

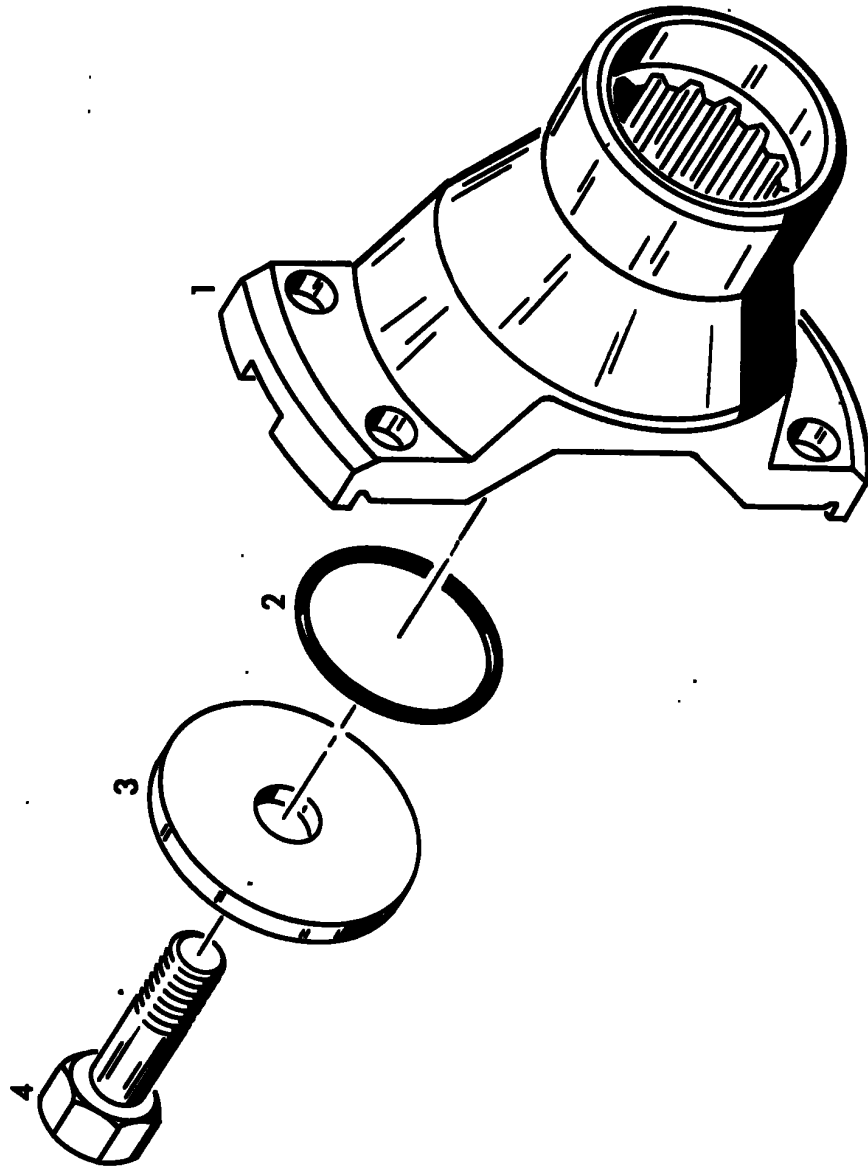
Assembly No.

**7904000071**

Revision:

Item	FN	Part	Qty	Description
1		9904102464	1	SHAFT ASSEMBLY
2		9904102465	1	GEAR
3		9904102466	2	WASHER,
4		9904102467	1	RING
5		9904102807	1	COLLAR
6		9904102469	1	GEAR
7		9904102470	2	BEARING
8		9904100966	1	CONE, BEARING
9		9904102472	1	CUP
10		9904102473	1	HUB
11		9904102474	1	CONE
12		9904102475	1	CUP
13		9904103129	1	BUSHING

# Manitowoc Crane Group



7904000071

(SHEET 1 OF 1)

36XXXe 302

# Manitowoc Crane Group

Description

**TRANSMISSION ASSEMBLY YOKE GROUP**

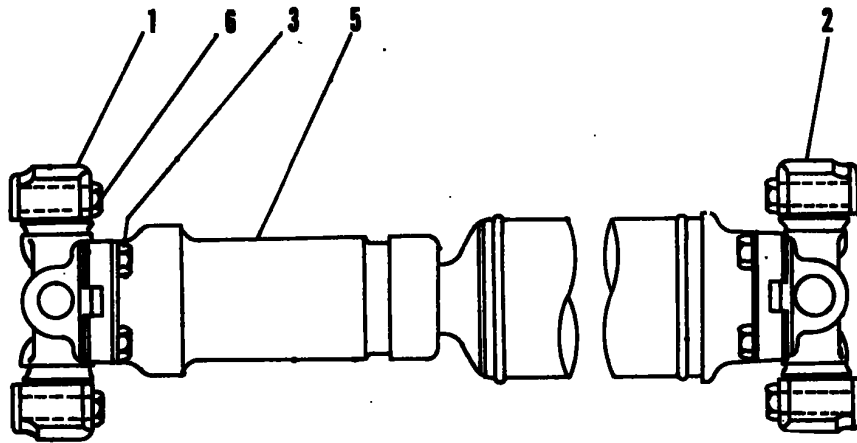
Assembly No.

**7904000071**

Revision:

Item	FN	Part	Qty	Description
1		9904102550	1	YOKE
2		7755326000	1	O-RING
3		9904102416	1	WASHER,
4		9904102417	1	CAP SCREW,

# Manitowoc Crane Group





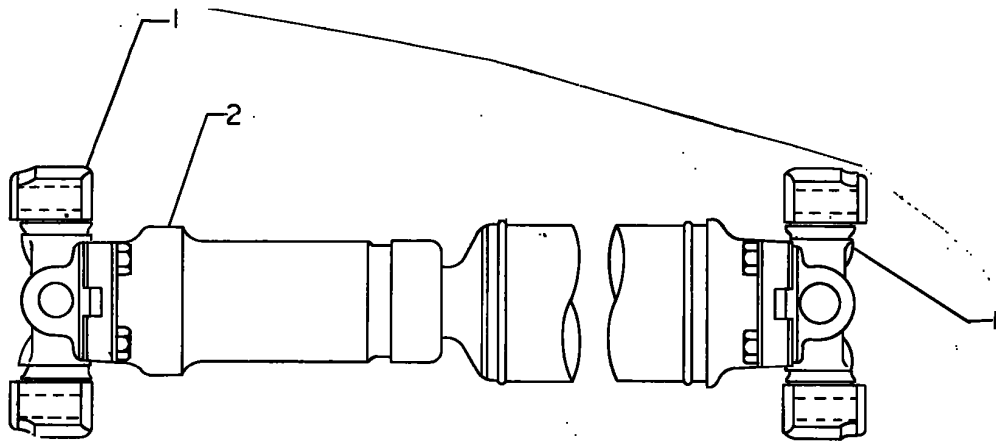
# Manitowoc Crane Group

Description  
**DRIVE LINE ASSEMBLY**

Assembly No.  
**7364000546**  
Revision:

Item	FN	Part	Qty	Description
1		9364100183	1	SPIDER AND BEARING ASSY
2		9810100020	1	U-JOINT
3		9810100002	8	SCREW,CAP
5		9364100199	1	SLIP YOKE ASSY
6		9810100002	8	SCREW,CAP

# Manitowoc Crane Group



7364000402

(SHEET 1 OF 1)

36XXXe 306

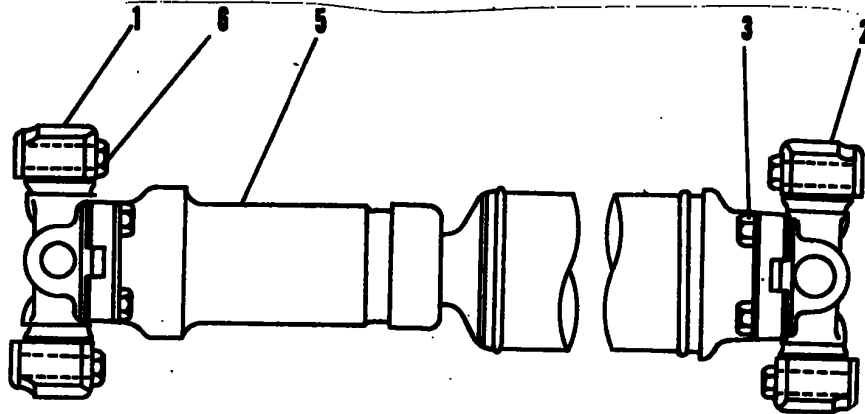
# Manitowoc Crane Group

Description  
**DRIVE LINE ASSEMBLY - FRONT AXLE**

Assembly No.  
**7364000402**  
Revision:

Item	FN	Part	Qty	Description
1		9810100015	2	U-JOINT
2		9810100034	1	SLIP YOKE

# Manitowoc Crane Group



7364000545

(SHEET 1 OF 1)

36XXXe 308

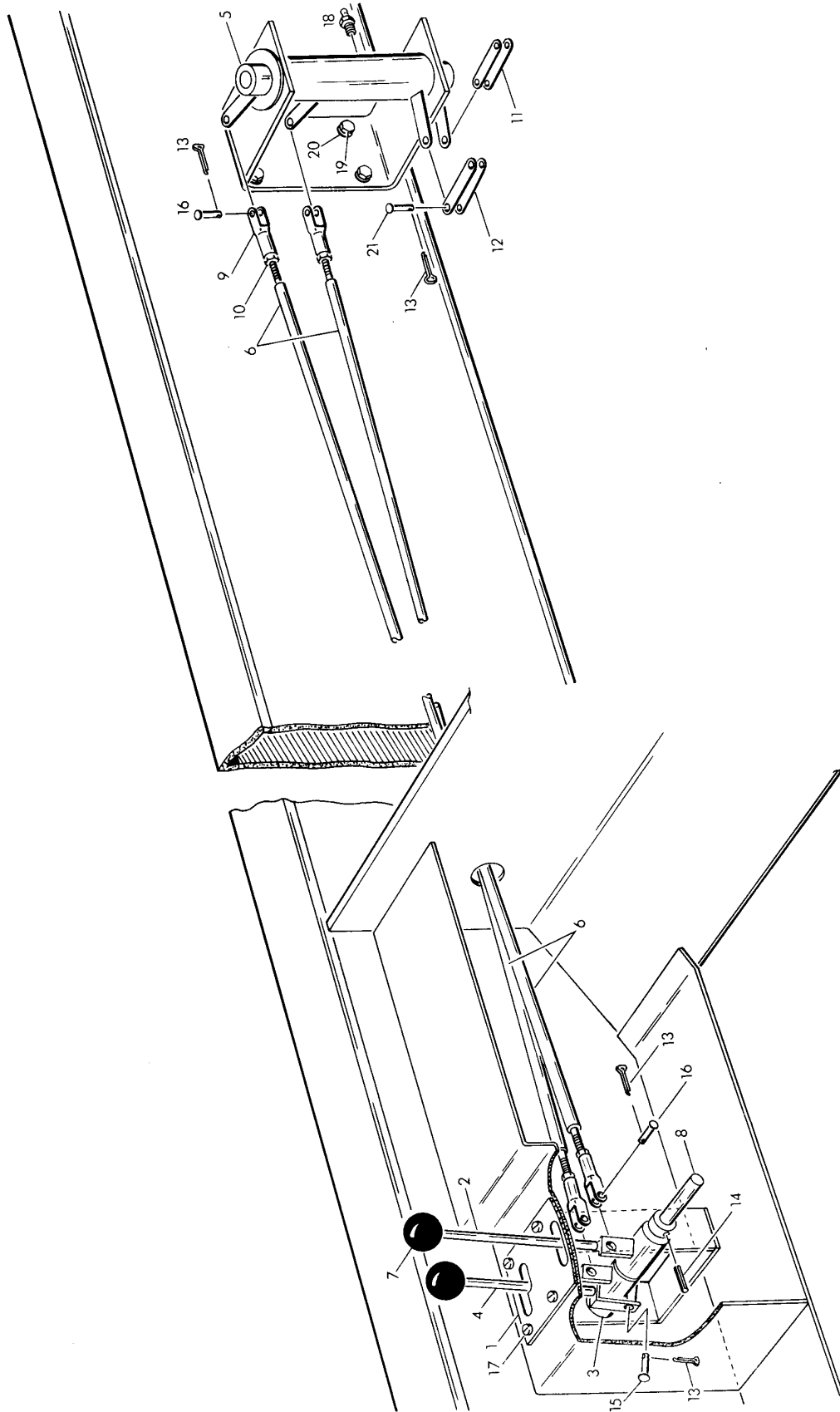
# Manitowoc Crane Group

Description  
**DRIVE LINE ASSEMBLY**

Assembly No.  
**7364000545**  
Revision:

Item	FN	Part	Qty	Description
1		9810100015	1	U-JOINT
2		9364100185	1	SPIDER AND BEARING ASSY
3		9810100011	8	CAPSCREW
5		9364100197	1	SLIP YOKE ASSY
6		9810100016	8	CAP SCREW

# Manitowoc Crane Group



1-160-6-00240

2160600240

(SHEET 1 OF 1)

36XXXe 310

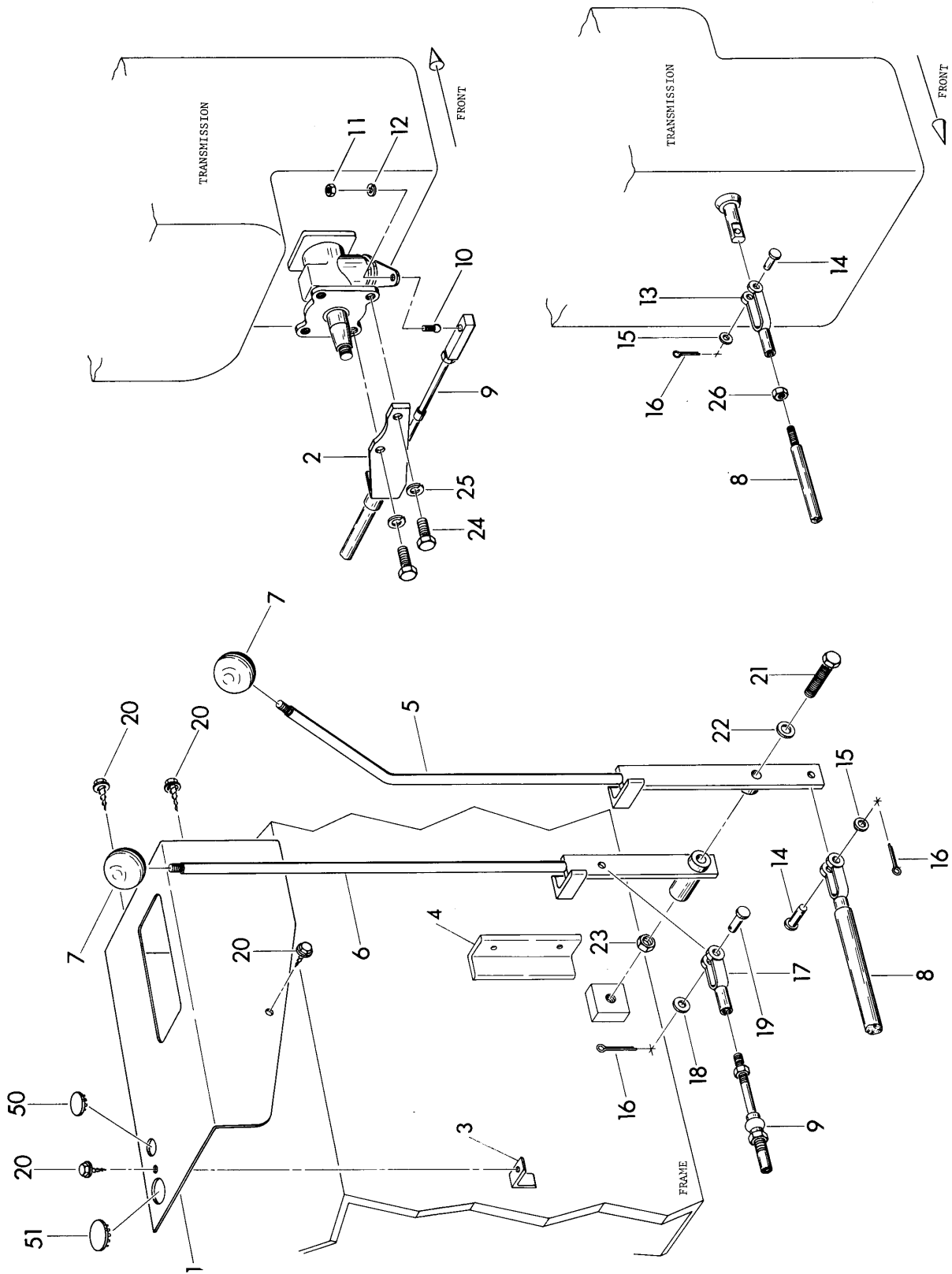
# Manitowoc Crane Group

Description  
LINKAGE INSTALL - TRANS SHIFT

Assembly No.  
**2160600240**  
Revision:

Item	FN	Part	Qty	Description
1		2160800080	1	BRACKET, SHIFT LINKAGE
2		2160800168	1	LEVER, SHIFTING
3		2160800239	1	SHIFT LINKAGE PIVOT ASSEMBLY
4		2160800216	1	LEVER, SHIFT
5		6869000218	1	SUPPORT, BELLCRANK
6		2160600237	2	ROD, LINKAGE
7		7511000003	2	KNOB
8		6810000849	1	SHAFT
9		7308000001	4	YOKE
10		7660160030	4	NUT, HEX 3/8" - 24 N.F.
11		4160600101	2	BAR, LINKAGE
12		4160600102	2	BAR, LINKAGE
13		7690051210	9	PIN, COTTER 1/8" X 3/4"
14		7690051244	1	PIN, ROLL OBSOLETE BY 7690051245
15		7690154000	1	PIN, CLEVIS
16		7690161800	4	PIN, CLEVIS 3/8" X 1 1/8"
17		7790140672	6	SCREW, SELF-TAPPING
18		7440000000	1	FITTING-GREASE
19		7115160850	4	CAP SCREW, 3/8" - 16 N.C. X 1" GRADE 5
20		7950160050	4	LOCKWASHER, 3/8" I.D.
21		7690161600	4	PIN, CLEVIS 3/8" X 1"

# Manitowoc Crane Group



2-160-5-00008

2160500008

(SHEET 1 OF 1)

36XXXe 312



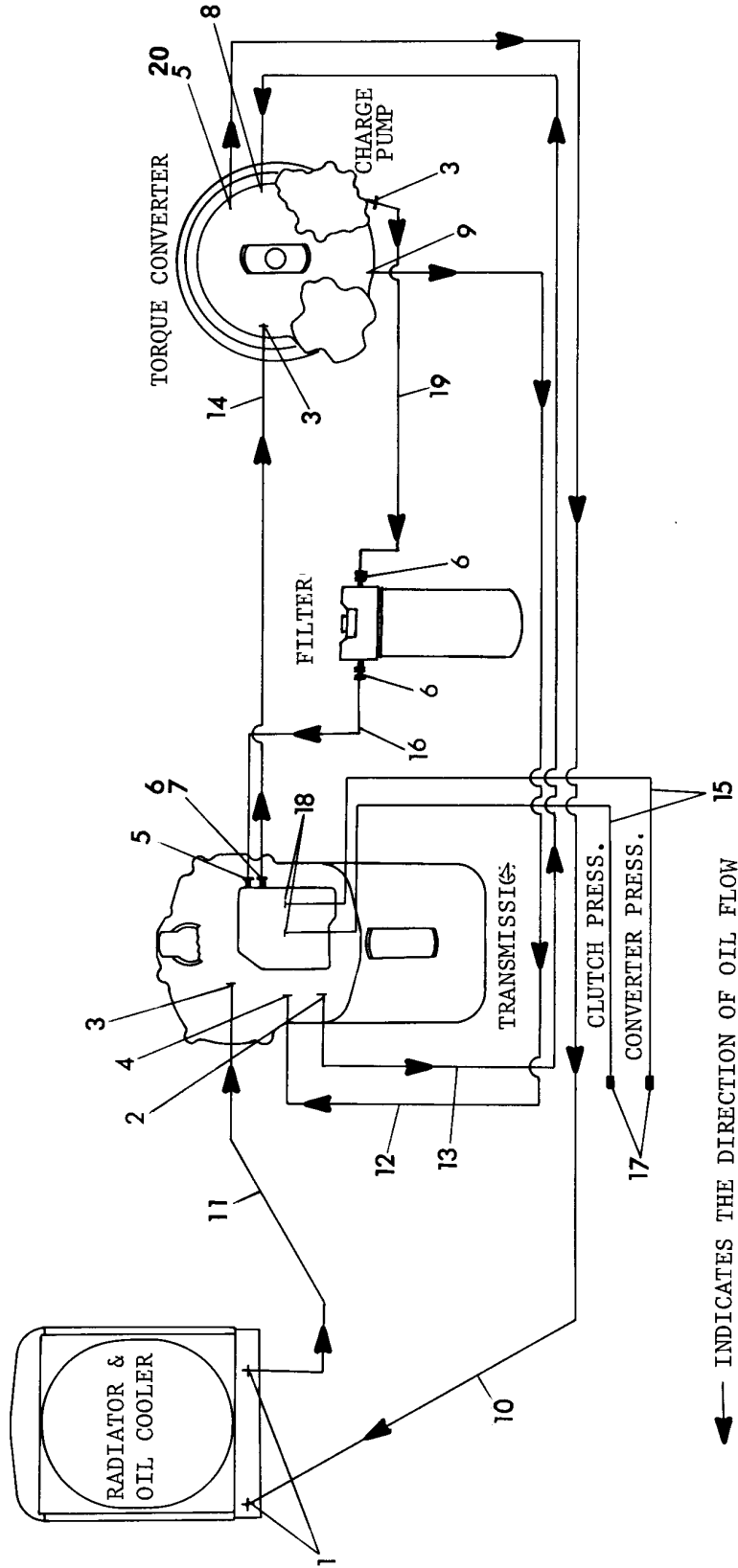
# Manitowoc Crane Group

Description  
**AXLE AND RANGE SHIFTER INSTALLATION**

Assembly No.  
**2160500008**  
 Revision: **A**

Item	FN	Part	Qty	Description
1		4160500003	1	BOX, SHIFTER
2		6705005030	1	PLATE, MOUNTING
3		6030001024	1	ANGLE
4		4160500002	1	ANGLE
5		6593000164	1	LEVER, SHIFT
6		6593000165	1	LEVER, SHIFT
7		7511000003	2	KNOB
8		7768000810	1	ROD, CONTROL
9		7246000588	1	CABLE, CONTROL
10		7364000452	1	JOINT, BALL
11		7660150030	1	NUT, HEX 5/16" - 24 N.F.
12		7950150050	1	LOCKWASHER, 5/16" I.D.
13		7308000001	1	YOKE
14		7690162000	2	PIN, 3/8 DIA. X 1 1/4" CLEVIS
15		7950160141	2	WASHER, 3/8" PLAIN NARROW
16		7690021210	3	PIN, 3/32" X 3/4" LONG COTTER
17		7368000014	1	YOKE, ROD END
18		7950150141	1	5/16 WASH-FLAT PLAIN NARROW
19		7690151600	1	PIN, CLEVIS 5/16" X 1"
20		7790140653	4	SCREW, SELF-TAPPING 1/4" - 20 N.C. X 3/8"
21		7112182450	1	BOLT, HEX 1/2"-13 NC X 3" - GRD 2
22		7950180141	1	FLAT WASHER, 1/2" I.D.
23		7660180200	1	NUT, HEX 1/2" - 13 N.C.
24		7112180650	2	USE 7115180650 CAP SCREW 1/2"-13 N.C. X 3/4" GRADE 5
26		7660160230	1	NUT, HEX JAM 3/8" - 24 N.F.
50		7242000008	1	BUTTON, PLUG
51		7709000035	1	PLUG, DOT 11/16" DIAMETER

# Manitowoc Crane Group



# Manitowoc Crane Group

Description

**HYDRAULIC LINES INSTALLATION - TRANSMISSION AND TORQUE CONVERTER**

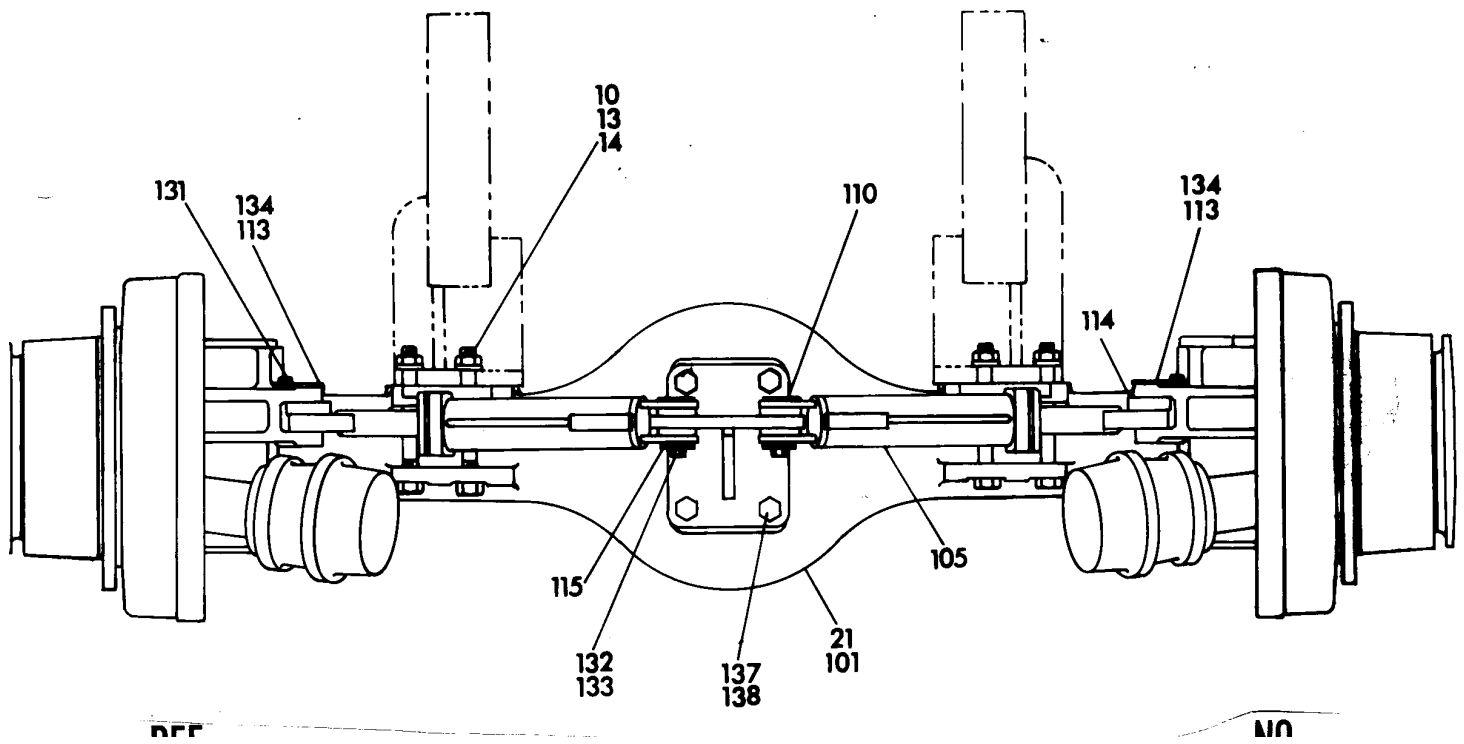
Assembly No.

**2160600235**

Revision:

Item	FN	Part	Qty	Description
1		7445121201	2	ADAPTER, SWIVEL
2		7445161603	1	ADAPTER, SWIVEL
		7755916002	1	INCLUDES THE FOLLOWING PARTS O-RING
3		7445121211	4	ADAPTER, 45 DEGREE SWIVEL
		7755912002	1	INCLUDES THE FOLLOWING PARTS O-RING
4		7445161601	1	ADAPTER, STRAIGHT SWIVEL
5		7445121208	1	ADAPTER, 90 DEGREE SWIVEL
		7755912002	1	INCLUDES THE FOLLOWING PARTS O-RING
6		7445121203	3	ADAPTER, STRAIGHT SWIVEL
		7755912002	1	INCLUDES THE FOLLOWING PARTS O-RING
7		7445121204	3	ELBOW, 90 DEGREE
8		7445161611	1	ADAPTER, 45 DEGREE SWIVEL
		7755916002	1	INCLUDES THE FOLLOWING PARTS O-RING
9		7445161609	1	ADAPTER, 45 DEGREE SWIVEL
10		7542506007	1	HOSE ASSY
11		7542509607	1	HOSE ASSY 7/8" I.D. X 96"
12		7542504209	1	HOSE ASSY
13		7542506009	1	HOSE ASSY 7/8" I.D. X 60"
14		7542505607	1	HOSE ASSY 7/8" I.D. X 56"
15		7542006001	1	HOSE ASSY 3/16" I.D. X 60"
16		7542503007	1	HOSE ASSY 7/8" I.D. X 30"
17		7444000101	1	CAP, PIPE
18		7445020201	2	ADAPTER, STRAIGHT
19		7542503607	1	HOSE ASSY 7/8" I.D. X 36"
20		7445121209	1	ELBOW, 45 DEGREE MALE

# Manitowoc Crane Group



6049000168

(SHEET 1 OF 1)

36XXXe 316

# Manitowoc Crane Group

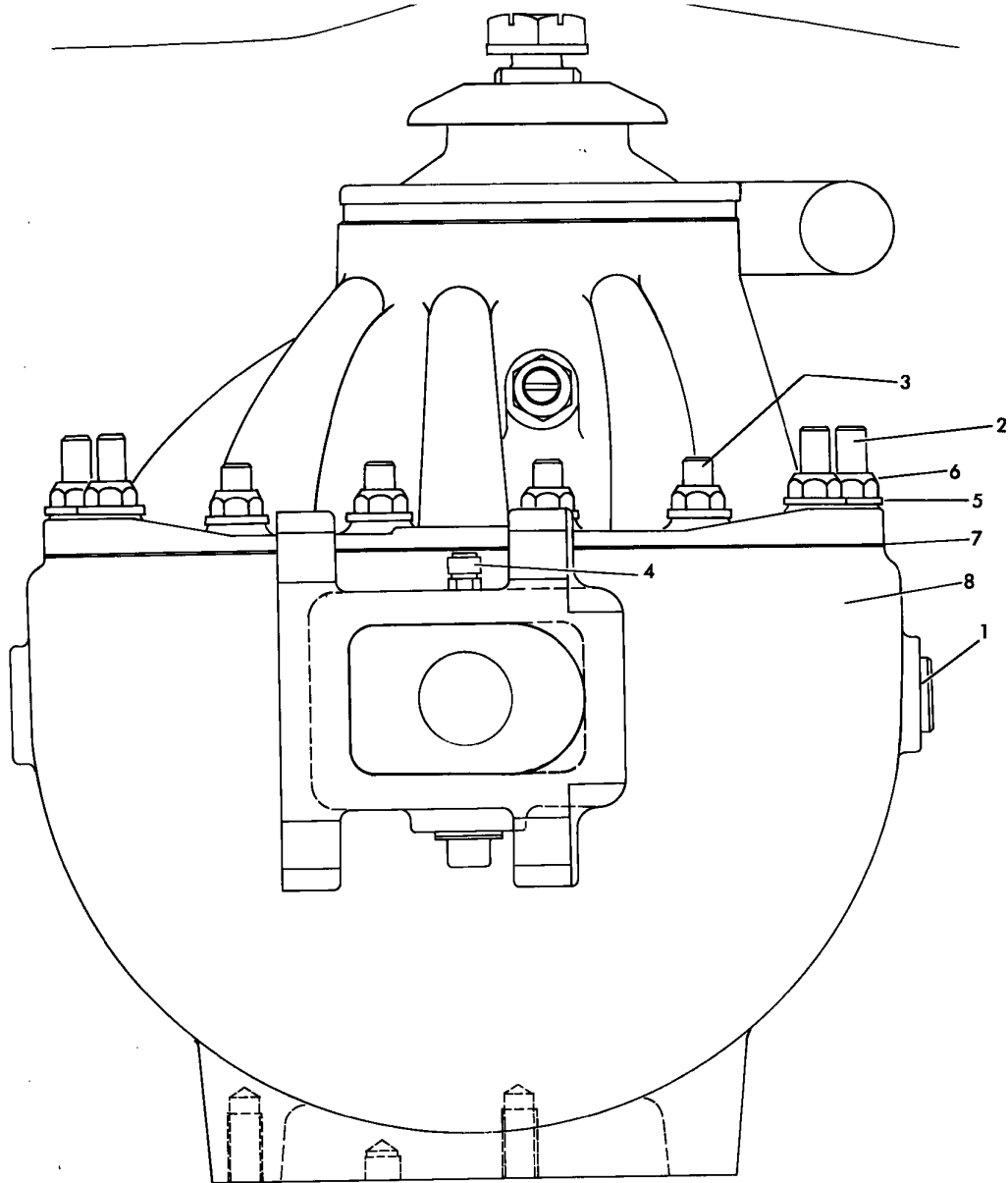
Description  
**FRONT AXLE INSTALLATION**

Assembly No.  
**6049000168**  
 Revision:

Item	FN	Part	Qty	Description
10		7115267250	8	CAP SCREW, 1" - 8 N.C. X 9" GRADE 5
13		7950260050	8	LOCK WASHER, 1" I.D.
14		7660260008	8	NUT, HEX 1" - 8 N.C. GRADE 8
21		6049000233	1	AXLE ASSEMBLY - REAR
101	+	7049000199	1	AXLE ASSEMBLY - DRIVE STEER
105	+	6372000485	2	CYLINDER ASSEMBLY - 3" STEER (COMPLETE ASSEMBLY)
110		6810000576	2	SHAFT
113		6810001090	2	SHAFT
114		6910001092	2	SPACER
115		6258000124	2	CAP, END
131		7105180850	2	CAP SCREW, 1/2" - 20 N.F. X 1" GRADE 5
132		7115181050	2	CAP SCREW, 1/2" - 13 N.C. X 1 1/4" GRADE 5
133		7950180050	4	LOCK WASHER, 1/2" I.D.
134		7440000000	6	FITTING-GREASE
137		7115221450	4	CAP SCREW, 3/4" - 10 N.C. X 1 3/4" GRADE 5
138		7949000236	4	FLAT WASHER, 3/4"

+ SEE FURTHER BREAKDOWN THIS GROUP

# Manitowoc Crane Group



7049000199

(SHEET 1 OF 1)

36XXXe 318

# Manitowoc Crane Group

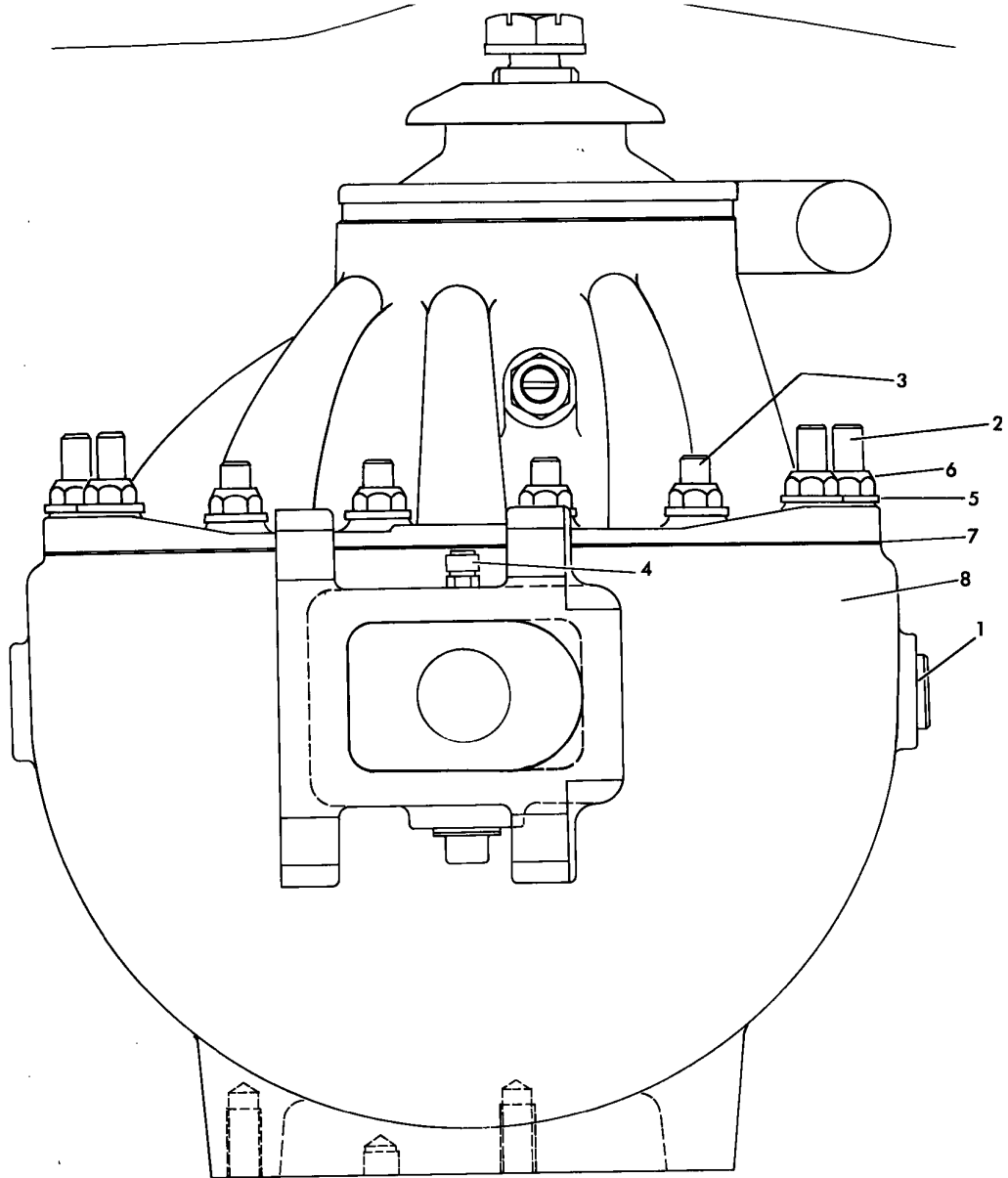
Description  
**AXLE ASSEMBLY - DRIVE STEER**

Assembly No.  
**7049000199**  
 Revision:

Item	FN	Part	Qty	Description
1	+	7049000199	1	AXLE ASSEMBLY - DRIVE STEER HOUSING ASSEMBLY
2	+	7049000199	1	AXLE ASSEMBLY - DRIVE STEER DIFFERENTIAL AND CARRIER ASSEMBLY
3	+	7049000199	1	AXLE ASSEMBLY - DRIVE STEER HUB AND SHAFT GROUP
4	+	7049000199	1	AXLE ASSEMBLY - DRIVE STEER BRAKE ASSEMBLY
5	+	7049000199	1	AXLE ASSEMBLY - DRIVE STEER WEDGE ASSEMBLY
6	+	7049000199	1	AXLE ASSEMBLY - DRIVE STEER BRAKE ASSEMBLY

+ SEE FURTHER BREAKDOWN THIS GROUP

# Manitowoc Crane Group



7049000199

(SHEET 1 OF 1)

36XXXe 320



# Manitowoc Crane Group

Description

**AXLE ASSEMBLY - DRIVE STEER HOUSING ASSEMBLY**

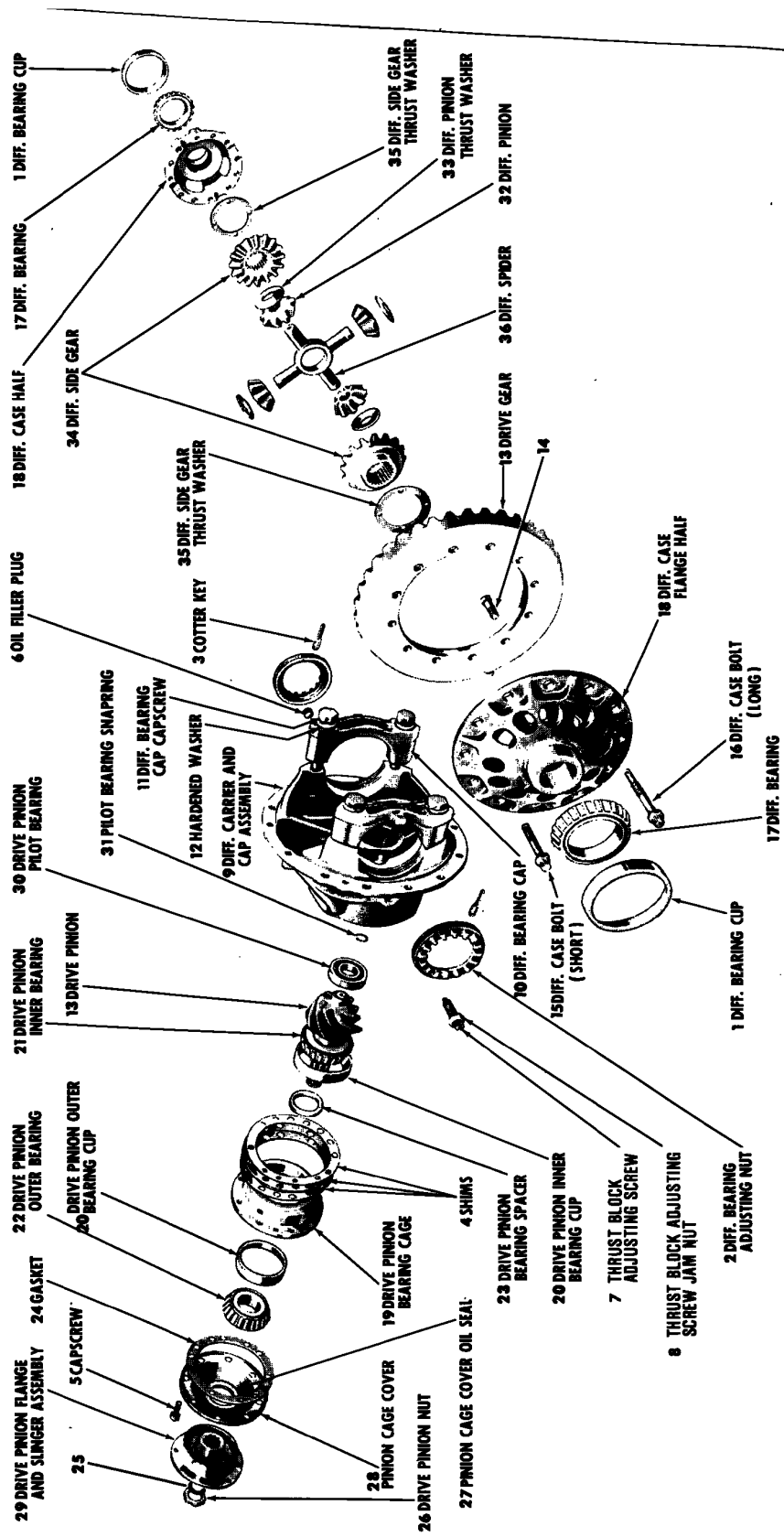
Assembly No.

**7049000199**

Revision:

Item	FN	Part	Qty	Description
1		9049101650	2	PLUG
2		9049101560	4	STUD, MEDIUM
3		9049101651	10	STUD
4		9049101912	1	BREATHER
5		9049101652	14	FLATWASHER
6		9049103001	14	LOCKNUT
7		1000000000	0	MAJOR "SPECIAL" LEGEND
8		9049103904	1	HOUSING ASSEMBLY

# Manitowoc Crane Group



7049000199

(SHEET 1 OF 1)

36XXXe 322

# Manitowoc Crane Group

Description

**AXLE ASSEMBLY - DRIVE STEER DIFFERENTIAL AND CARRIER ASSEMBLY**

Assembly No.

**7049000199**

Revision:

Item	FN	Part	Qty	Description
1		9049101544	2	CUP, BEARING
2		9049101546	2	RING, ADJUSTING
3		9049101545	2	PIN, COTTER
4		9049101894	2	SHIM, .003"
5		9049101577	8	CAP SCREW,
6		9049101700	1	PLUG
7		9049101498	1	SCREW, THRUST
8		9049101497	1	NUT, JAM
9		9049101886	1	DIFFERENTIAL ASSEMBLY
10		9049101602	4	DOWEL
11		9049102914	4	CAP SCREW,
12		9049101554	4	WASHER .66" I.D.
13		9049101893	1	GEAR
14		9049103961	1	KIT, HARDWARE
15		9049102299	4	CAP SCREW,
16		9049102915	8	CAP SCREW,
17		9049101543	2	CONE, BEARING
18		9049103899	1	CASE ASSY, DIFFERENTIAL
19		9049101583	1	CAGE ASSEMBLY
20		9049101582	2	CUP, BEARING
21		9049101581	1	CONE, BEARING
22		9049101596	1	CONE, BEARING
23		9049102942	1	SPACER .470"
24		9049101580	1	GASKET
25		9049101599	1	WASHER,
26		9049102916	1	NUT
27		9049101579	1	SEAL, OIL
28		9049101578	1	COVER & SEAL ASSY
29		9049101910	1	YOKE
30		9049101598	1	BEARING
31		9049101600	1	RING, RETAINING
32		9049101907	4	PINION
33		9049101908	4	WASHER, THRUST

# Manitowoc Crane Group

Description

**AXLE ASSEMBLY - DRIVE STEER DIFFERENTIAL AND CARRIER  
ASSEMBLY**

Assembly No.

**7049000199**

Revision:

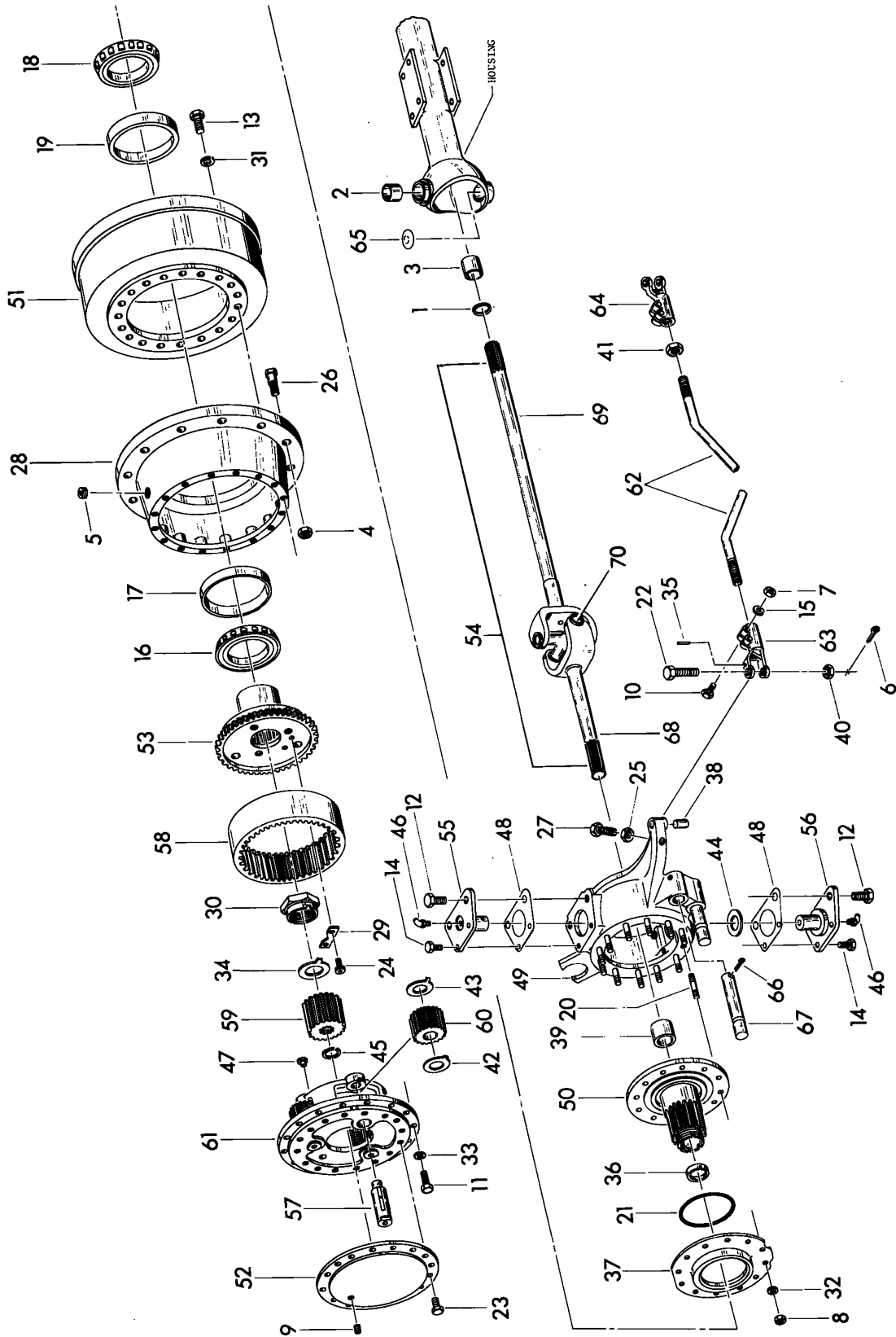
Item	FN	Part	Qty	Description
34		9049101909	2	GEAR
35		9049101540	2	WASHER, THRUST
36		9049101538	1	SPIDER
37		9049103914	1	CARRIER, DIFFERENTIAL

# ***Manitowoc Crane Group***

Notes

---

# Manitowoc Crane Group



7049000199

(SHEET 1 OF 1)

36XXXe 326

# Manitowoc Crane Group

Description

**AXLE ASSEMBLY - DRIVE STEER HUB AND SHAFT GROUP**

Assembly No.

**7049000199**

Revision:

Item	FN	Part	Qty	Description
1		9049101648	2	SEAL, OIL
2		9049102253	4	BUSHING
3		9049101647	2	BUSHING
4		9049102266	24	NUT
5		9049101920	2	PLUG, DRAIN (MAGNETIC)
6		9049101682	2	PIN, COTTER
7		9049101685	4	NUT
8		9049103926	24	NUT
9		9049101855	2	PLUG
10		9049101684	4	CAP SCREW,
11		9049101577	32	CAP SCREW,
12		9049103595	8	CAP SCREW,
13		9049103596	40	CAP SCREW,
14		9049103574	8	CAP SCREW,
15		9722100515	4	LOCKWASHER
16		9049101694	2	CONE, BEARING
17		9049101696	2	CUP, BEARING
18		9049101693	2	CONE, BEARING
19		9049101695	2	CUP, BEARING
20		9049101661	24	STUD
21		9049101698	2	O-RING
22		9049101678	2	CAP SCREW,
23		9049101898	16	CAP SCREW,
24		9049103396	4	SCREW
25		9049101497	2	NUT, JAM
26		9049101687	24	STUD
27		9049101674	2	CAP SCREW,
28		9049101917	2	HUB & CUP
29		9049103395	2	LOCK
30		9049103394	2	NUT
31		9049101705	40	LOCKWASHER
32		9049102173	24	WASHER,
33		9049101980	32	FLATWASHER

# Manitowoc Crane Group

Description

**AXLE ASSEMBLY - DRIVE STEER HUB AND SHAFT GROUP**

Assembly No.

**7049000199**

Revision:

Item	FN	Part	Qty	Description
34		9049103391	2	WASHER,
35		9049101679	2	PIN
36		9049101656	2	SEAL, OIL
37		9049101697	2	SEAL, OIL
38		9049101680	2	BUSHING
39		9049101657	2	BUSHING
40		9049101681	2	NUT
41		9049101683	1	NUT
42		9049101848	6	WASHER, THRUST
43		9049101847	6	WASHER, THRUST
44		9049101673	2	WASHER, THRUST
45		9274100125	2	RING, SNAP
46		9049103562	4	FITTING, GREASE
47		9049103565	6	BUTTON, THRUST
48		9049101669	6	SHIM, .020"
49		9049101914	1	KNUCKLE, STEERING R.H. FRONT - L.H. REAR
50		9049103906	2	SPINDLE ASSEMBLY
51		9049101918	2	DRUM, BRAKE
52		9049102993	2	COVER-PLANETARY
53		9049103393	2	HUB
54		9049101654	1	U-JOINT
55		9049101665	2	CAP
56		9049101915	2	CAP
57		9049101849	6	SHAFT
58		9049103392	2	GEAR
59		9049101844	2	GEAR-20T
60		9049101846	6	GEAR, PINION
61		9049103908	2	PLANETARY SPIDER AND BUTTON
62		9049103910	1	ROD, TIE
63		9049101676	1	YOKE, TIE ROD END (12 THRD)
64		9049101677	1	YOKE, TIE ROD END 16 THREAD PER INCH



# Manitowoc Crane Group

Description

**AXLE ASSEMBLY - DRIVE STEER HUB AND SHAFT GROUP**

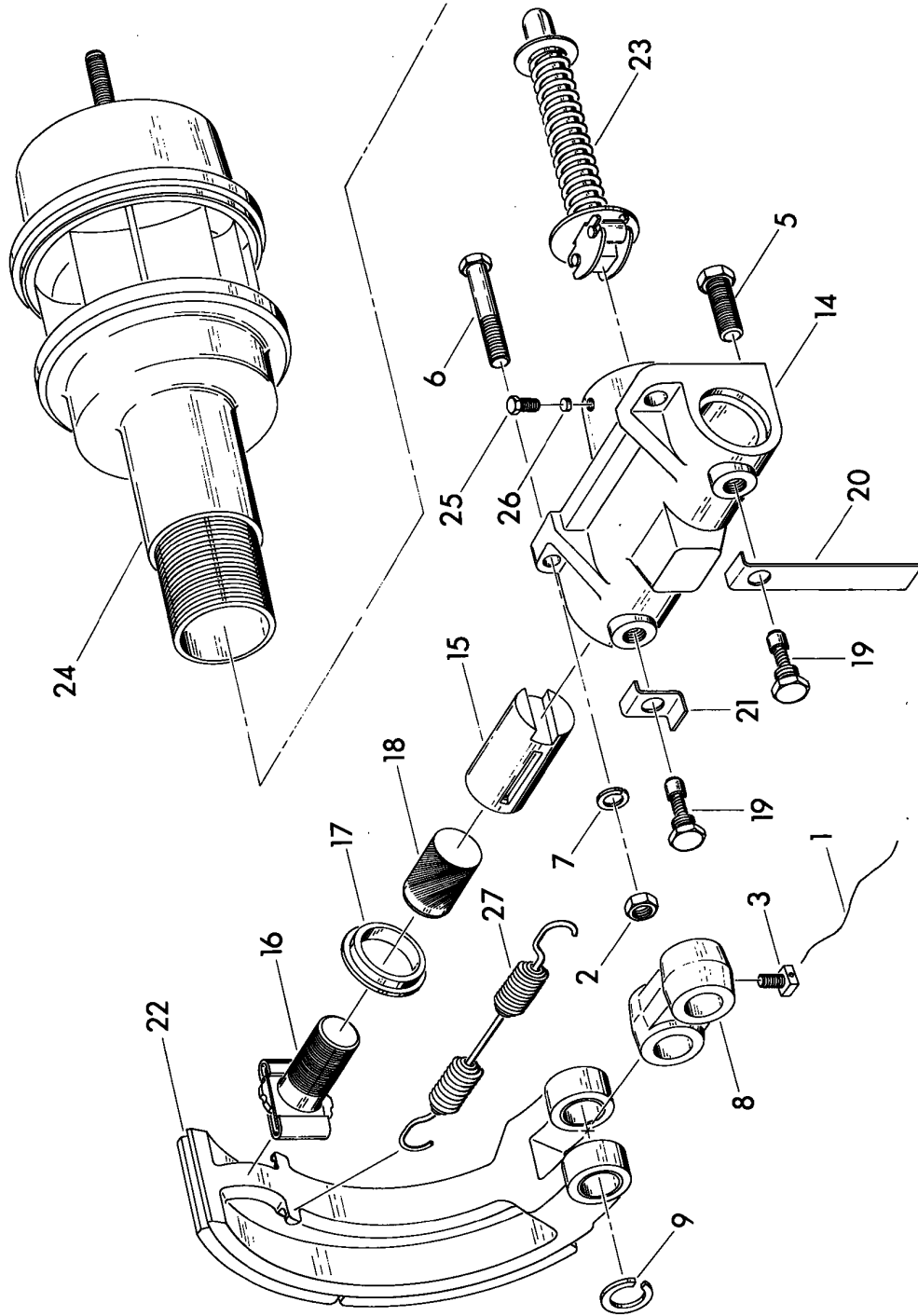
Assembly No.

**7049000199**

Revision:

Item	FN	Part	Qty	Description
65		9049102254	4	PLUG, EXPANSION
66		9274100112	4	PIN, COTTER
67		9049101934	4	PIN, ANCHOR
68		9049104363	2	SHAFT 13.84 LONG
69		9049104364	2	SHAFT
70		9049104362	2	U-JOINT

# Manitowoc Crane Group



# Manitowoc Crane Group

Description

**AXLE ASSEMBLY - DRIVE STEER BRAKE ASSEMBLY**

Assembly No.

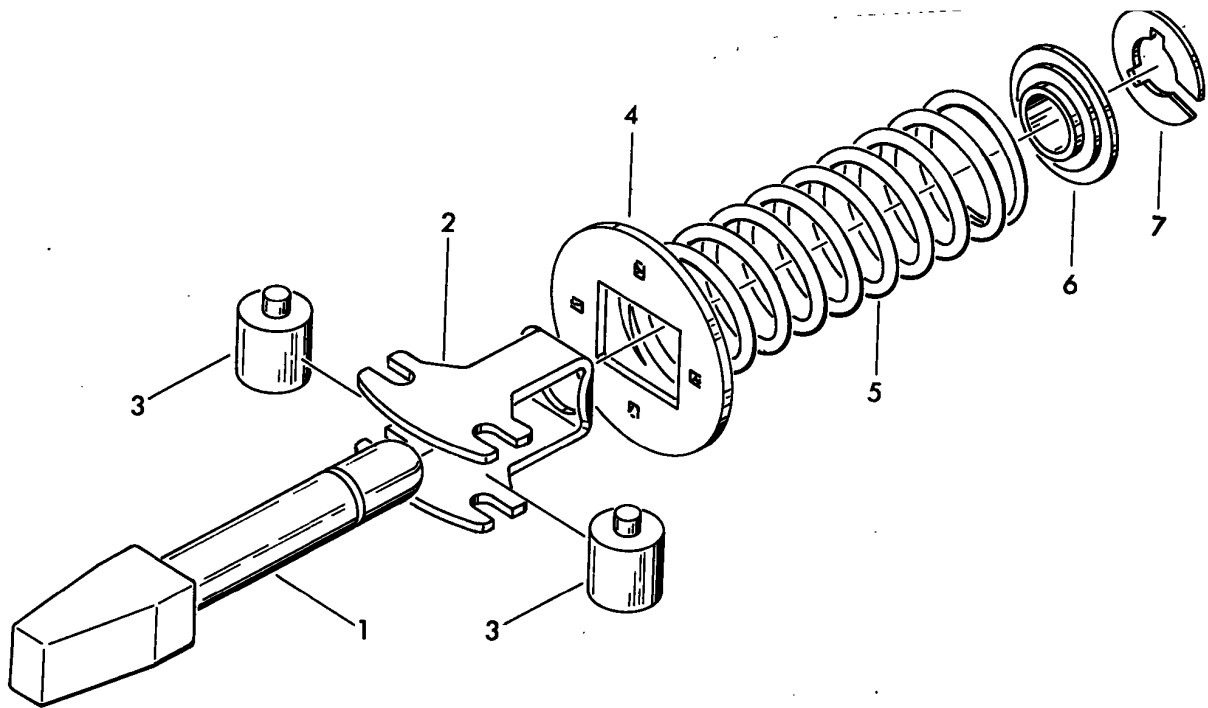
**7049000199**

Revision:

Item	FN	Part	Qty	Description
1		9049101938	2	LOCKWIRE
2		9049101685	4	NUT
3		9049101937	4	CAP SCREW,
4		9049101926	12	CAP SCREW,
5		9049101952	4	CAP SCREW,
6		9049101953	4	CAP SCREW,
7		9722100515	4	LOCKWASHER
8		9049101936	2	LINK
9		9049101935	4	RING, SNAP
10		9049101922	1	SHIELD, DUST - L.H.
11		9049101923	1	SHIELD, DUST - R.H.
12		9049101924	1	SHIELD, DUST
13		9049101925	1	SHIELD, DUST
14		9049103705	2	HOUSING
15		9049101945	4	PLUNGER
16		9049103994	4	BOLT ASSEMBLY
17		9049103992	4	SEAL ASSEMBLY
18		9049103993	4	ACTUATOR
19		9049103706	4	GUIDE
20		9049102252	2	TAG
21		9049101950	2	LOCKPLATE
22	#	9049101930	2	LINING KIT
23		9049101954	2	WEDGE ASSEMBLY
24		9049101962	2	BRAKE CHAMBER ASSEMBLY
25		9049103602	2	CAP SCREW,
26		9049101940	2	PLUG
27		9188100171	2	SPRING

# SERVICED AS AN ASSEMBLY ONLY

# Manitowoc Crane Group



# Manitowoc Crane Group

Description

**AXLE ASSEMBLY - DRIVE STEER WEDGE ASSEMBLY**

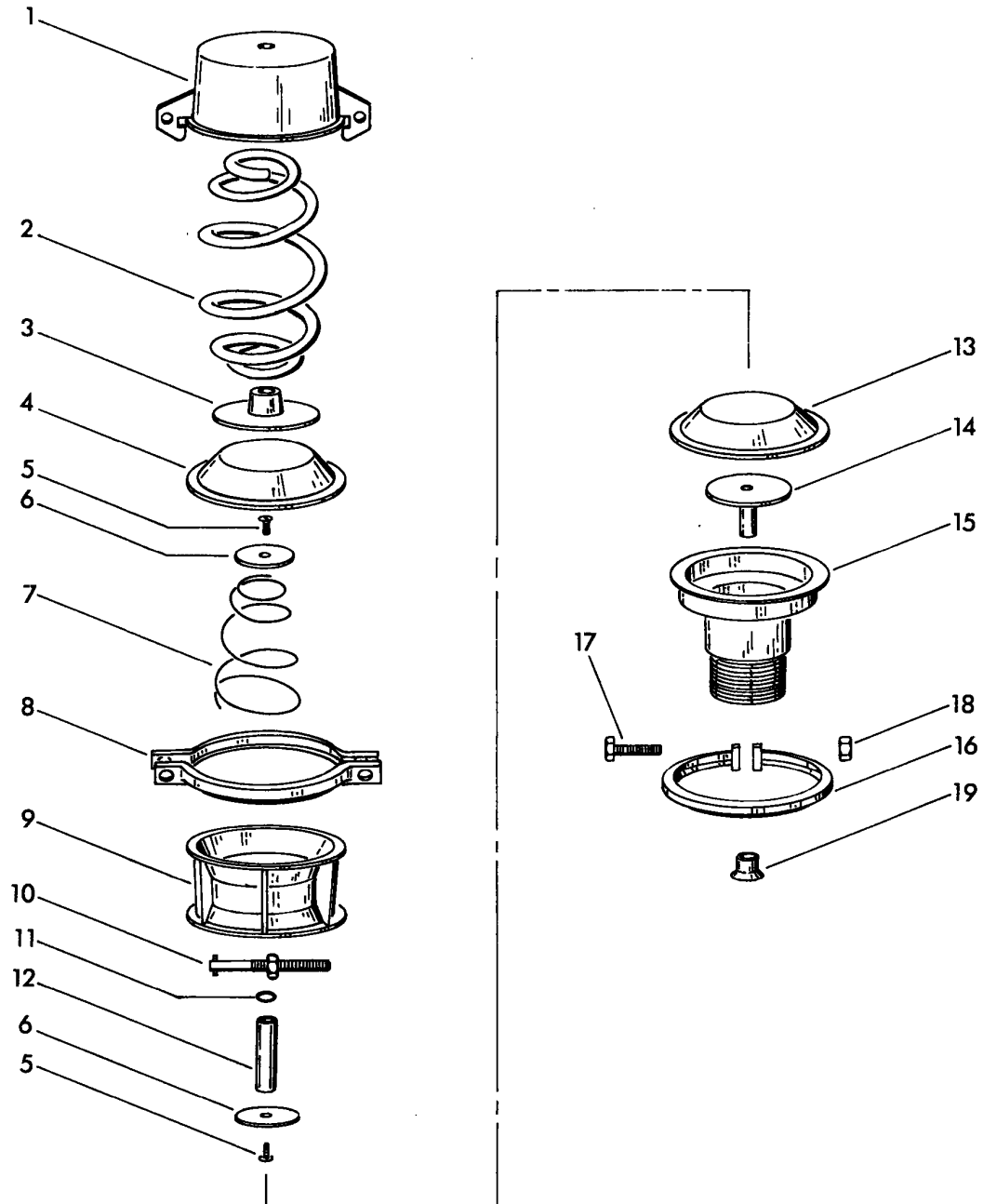
Assembly No.

**7049000199**

Revision:

Item	FN	Part	Qty	Description
1		9049101955	1	WEDGE
2		9049101956	1	CAGE
3		9049101957	2	ROLLER
4		9049103749	1	WASHER,
5		9049101959	1	SPRING
6		9049101961	1	WASHER, THRUST
7		9049101960	1	RING, SNAP
8		9049101954	1	WEDGE ASSEMBLY

# Manitowoc Crane Group



# Manitowoc Crane Group

Description

**AXLE ASSEMBLY - DRIVE STEER BRAKE ASSEMBLY**

Assembly No.

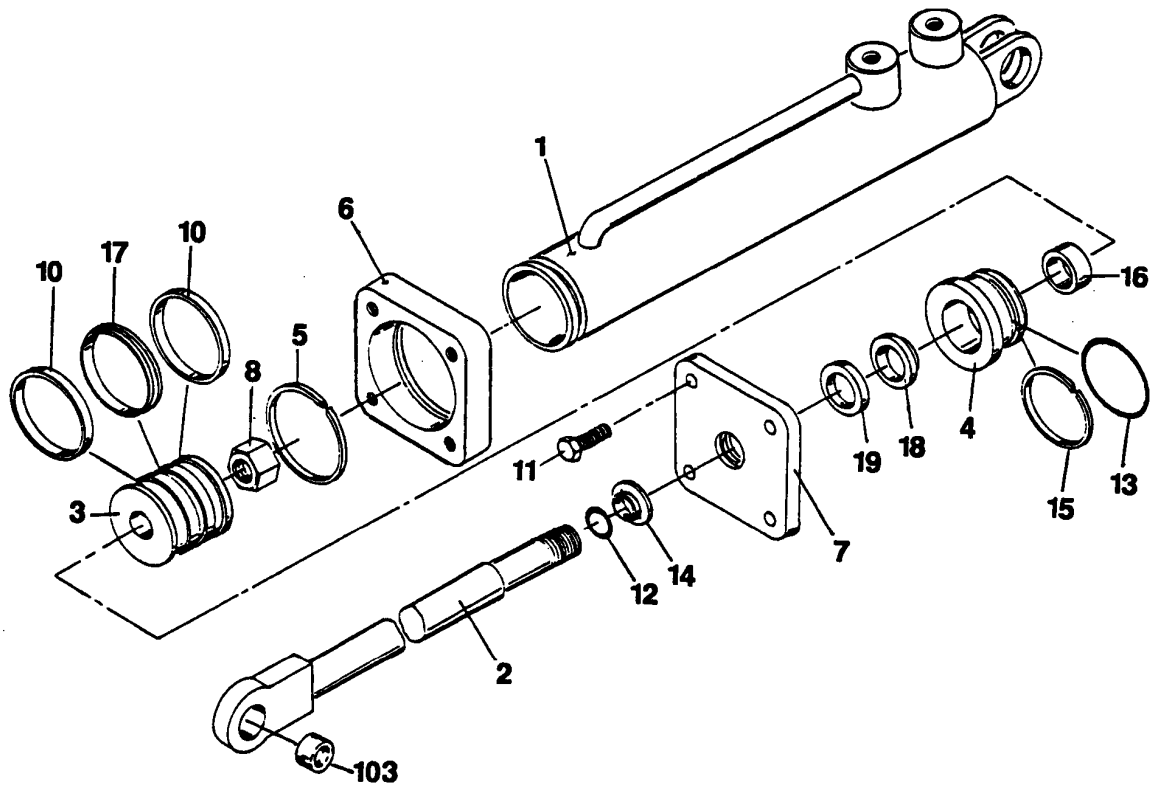
**7049000199**

Revision:

Item	FN	Part	Qty	Description
1	#	NS	1	NOT SERVICED
2	#	NS	1	NOT SERVICED
3	#	NS	1	NOT SERVICED
4	#	NS	1	NOT SERVICED
5	#	NS	2	NOT SERVICED
6	#	NS	2	NOT SERVICED
7	#	NS	1	NOT SERVICED
8	#	NS	1	NOT SERVICED
9	#	NS	1	NOT SERVICED
10	#	NS	1	NOT SERVICED
11	#	NS	1	NOT SERVICED
12	#	NS	1	NOT SERVICED
13		9049101964	1	DIAPHRAGM
14		9049103912	1	PLATE ASSY, DIAPHRAGM
15		9049101966	1	HOUSING, NON-PRESSURE
16		9049101967	1	CLAMP
17		9049103702	2	CAP SCREW,
18		9049103703	2	NUT
19		9049101968	1	GUIDE
20		9049101962	1	BRAKE CHAMBER ASSEMBLY

# SERVICED AS AN ASSEMBLY ONLY

# Manitowoc Crane Group



6372000485

(SHEET 1 OF 1)

36XXXe 336



# Manitowoc Crane Group

Description

**CYLINDER ASSEMBLY - 3" STEER (COMPLETE ASSEMBLY)**

Assembly No.

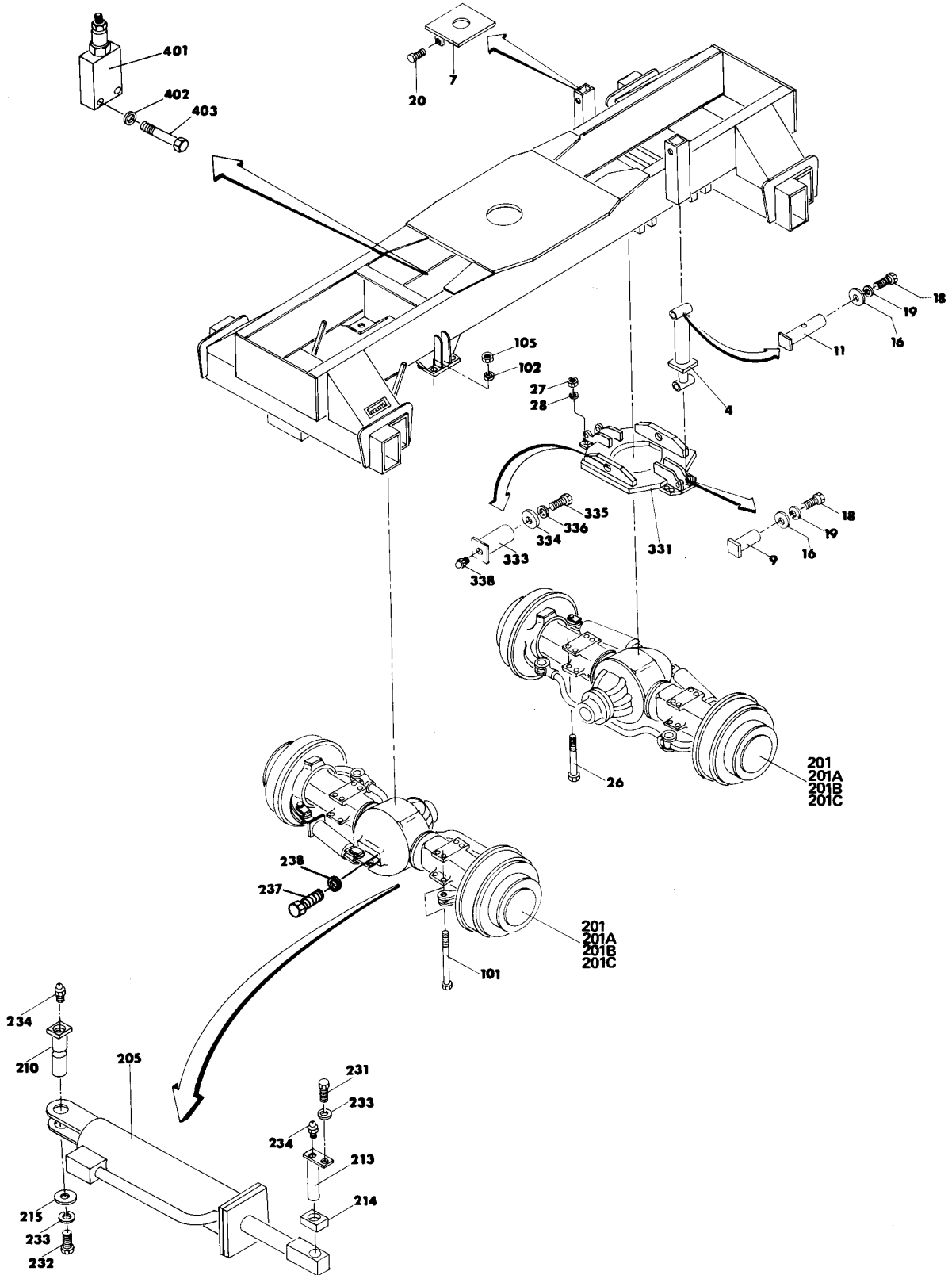
**6372000485**

Revision: **F**

Item	FN	Part	Qty	Description
1		6372001434	1	BARREL
2		6810000897	1	SHAFT ASSEMBLY INCLUDES NBR 103
3		6701000080	1	PISTON, CYLINDER
4		6372000483	1	HEAD, CYLINDER
5		6753000016	1	RING, LOCK
6		6753000021	1	RING, RETAINING
7		6705000105	1	PLATE, HEAD
8		7659000215	1	LOCKNUT
10	*	7753000117	2	RING, WEAR
11		7105181450	4	CAP SCREW, 1/2" -20 N.F. X 1 3/4" GRADE 5
12	*	7755022000	1	O-RING
13	*	7755334000	1	O-RING
14	*	7794000007	1	RING, WIPER
15	*	7755334609	1	RING, BACK-UP
16	*	7753000175	1	RING, WEAR
17	*	7753000113	1	RING, GT
18	*	7794000006	1	SEAL, ROD
19	*	6753000204	1	RING, BACK-UP
103		7199000198	1	BUSHING
104	*	9752100072	0	KIT, REPAIR

\* REPAIR KIT AND/OR PART OF KIT

# Manitowoc Crane Group



STEER CYLINDER INSTL.  
TYPICAL BOTH FRONT &  
REAR

# Manitowoc Crane Group

Description  
**AXLE INSTALLATION - FRONT AND REAR**

Assembly No.  
**6049000169**  
 Revision: **G**

Item	FN	Part	Qty	Description
4	+	6372001490	2	CYLINDER ASSEMBLY-LOCKOUT
7		2158600038	2	COVER ASSY, STABILIZER
9		6810000580	2	SHAFT
11		6810000761	2	SHAFT
16		6258000123	4	CAP, END
18		7115181050	4	CAP SCREW, 1/2" - 13 N.C. X 1 1/4" GRADE 5
19		7950180050	4	LOCK WASHER, 1/2" I.D.
20		7791141250	4	SCREW, SELF-DRILLING 1/4"
26		7115267650	8	1" - 8 NC X 9 1/2" GRD 5
27		7660260008	8	NUT, HEX 1" - 8 N.C. GRADE 8
28		7950260050	8	LOCK WASHER, 1" I.D.
101		7115267250	8	CAP SCREW, 1" - 8 N.C. X 9" GRADE 5
102		7950260050	8	LOCK WASHER, 1" I.D.
105		7660260008	8	NUT, HEX 1" - 8 N.C. GRADE 8
201	+=	7049000166	1	AXLE ASSEMBLY
201	+=	7049000198	1	AXLE ASSEMBLY - DRIVE STEER
201	+=	7049000165	1	AXLE ASSEMBLY
201	+=	7049000199	1	AXLE ASSEMBLY - DRIVE STEER
201	+=	7049000166	1	AXLE ASSEMBLY
201	+=	7049000198	1	AXLE ASSEMBLY - DRIVE STEER
201	+=	7049000165	1	AXLE ASSEMBLY
201	+=	7049000199	1	AXLE ASSEMBLY - DRIVE STEER
201	+=	7049000166	1	AXLE ASSEMBLY
201	+=	7049000198	1	AXLE ASSEMBLY - DRIVE STEER
201	+=	7049000165	1	AXLE ASSEMBLY
201	+=	7049000199	1	AXLE ASSEMBLY - DRIVE STEER
201	+=	7049000166	1	AXLE ASSEMBLY
201	+=	7049000198	1	AXLE ASSEMBLY - DRIVE STEER

+ SEE FURTHER BREAKDOWN THIS GROUP

= REFER TO MCI FOR APPLICABLE NUMBER

# Manitowoc Crane Group

Description <b>AXLE INSTALLATION - FRONT AND REAR</b>				Assembly No. <b>6049000169</b> Revision: <b>G</b>
Item	FN	Part	Qty	Description
201	+=	7049000165	1	AXLE ASSEMBLY
201	+=	7049000199	1	AXLE ASSEMBLY - DRIVE STEER
205	+	6372000485	2	CYLINDER ASSEMBLY - 3" STEER (COMPLETE ASSEMBLY)
210		6810000576	2	SHAFT
213		6810001090	2	SHAFT
214		6910001092	2	SPACER
215		6258000124	2	CAP, END
231		7105180850	2	CAP SCREW, 1/2" - 20 N.F. X 1" GRADE 5
232		7115181050	2	CAP SCREW, 1/2" - 13 N.C. X 1 1/4" GRADE 5
233		7950180050	4	LOCK WASHER, 1/2" I.D.
234		7440000000	6	FITTING-GREASE
237		7115221450	4	CAP SCREW, 3/4" - 10 N.C. X 1 3/4" GRADE 5
238		7949000236	4	FLAT WASHER, 3/4"
331		6970000146	1	FIFTH WHEEL
333		2160700003	2	PIN, PIVOT
334		6949000155	2	WASHER,
335		7115181050	2	CAP SCREW, 1/2" - 13 N.C. X 1 1/4" GRADE 5
336		7950180050	2	LOCK WASHER, 1/2" I.D.
338		7440000000	2	FITTING-GREASE
401	+	7926000702	1	VALVE ASSEMBLY - RELIEF (SEE SEPARATE PARTS LIST)
402		7950160050	2	LOCKWASHER, 3/8" I.D.
403		7115161650	2	CAP SCREW, 3/8" - 16 N.C. X 2" GRADE 5

+ SEE FURTHER BREAKDOWN THIS GROUP

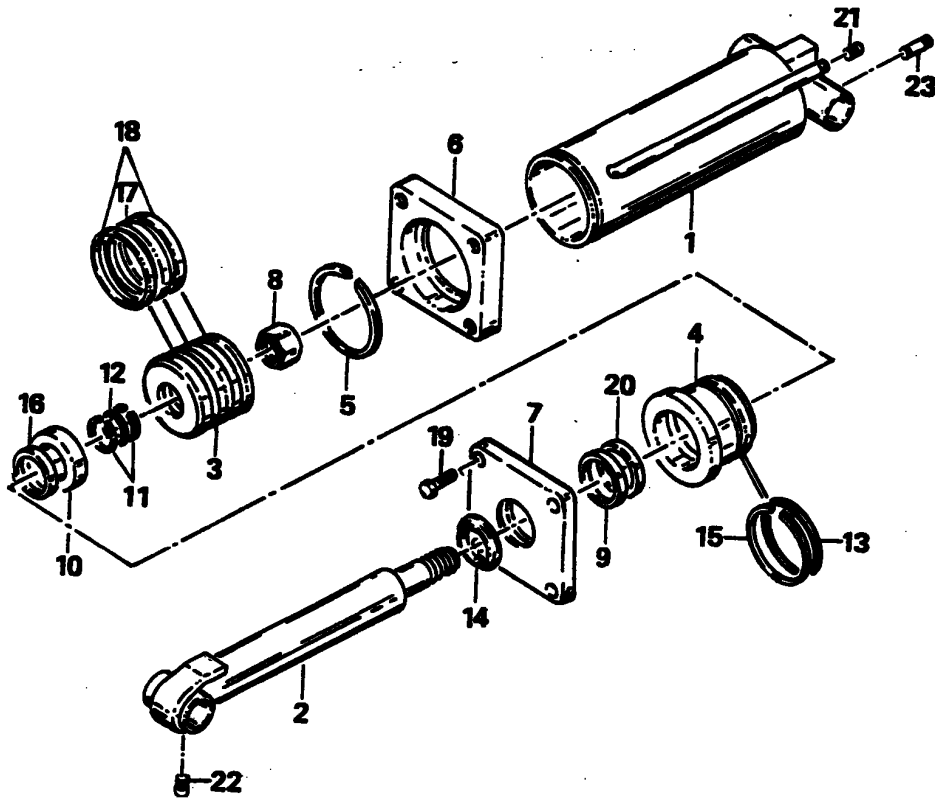
= REFER TO MCI FOR APPLICABLE NUMBER

# ***Manitowoc Crane Group***

Notes

---

# Manitowoc Crane Group



6372001490

(SHEET 1 OF 1)

36XXXe 342

# Manitowoc Crane Group

Description  
CYLINDER ASSEMBLY-LOCKOUT

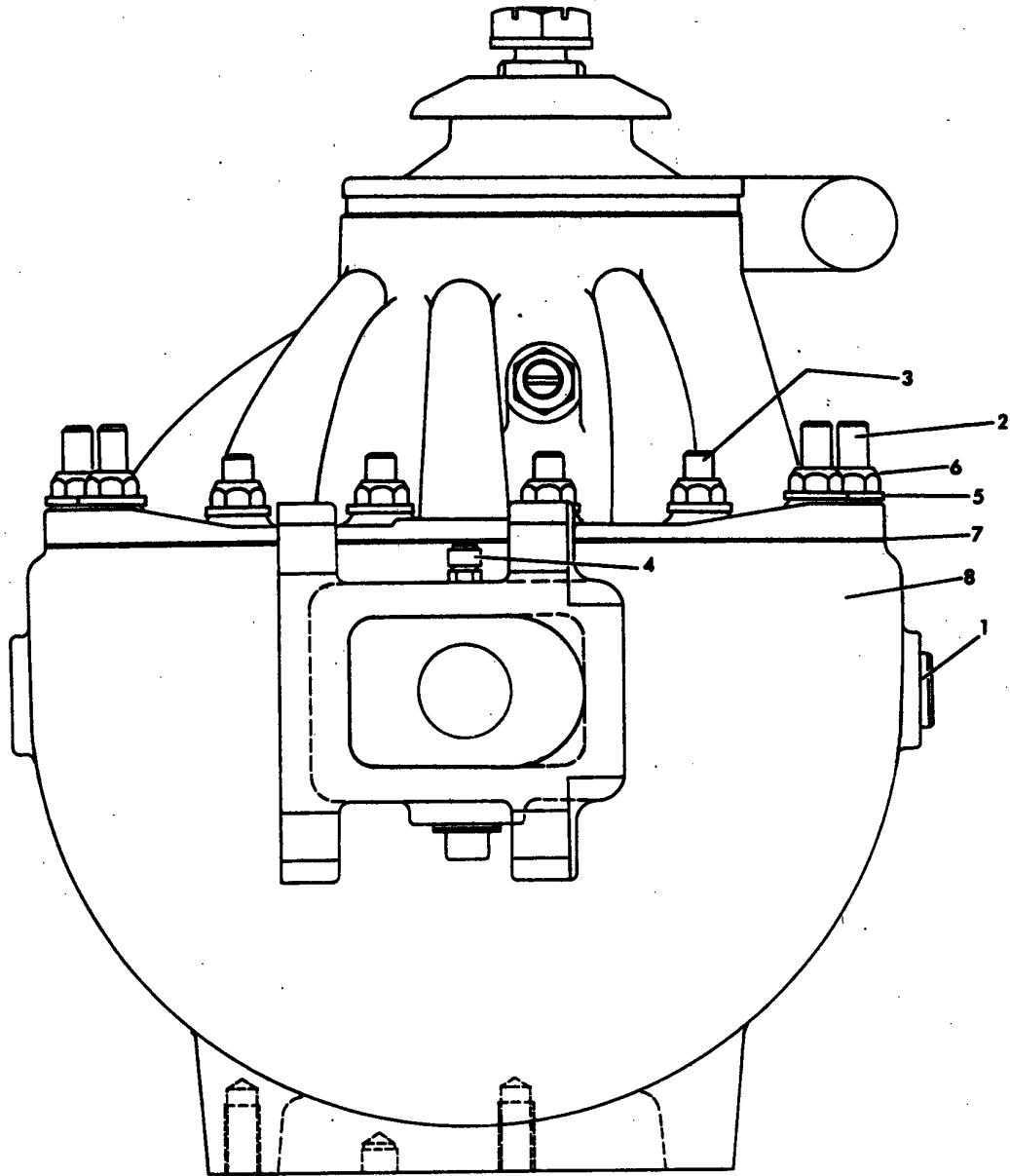
Assembly No.  
**6372001490**  
Revision: **E**

Item	FN	Part	Qty	Description
1		6372001375	1	BARREL
2		6810000759	1	SHAFT WELD, CYL
3		6701000138	1	PISTON, CYLINDER
4		6372001880	1	HEAD, CYLINDER
5		6753000018	1	RING, LOCK
6		6753000036	1	RING, RETAINING
7		6705000220	1	PLATE, HEAD
8		7660340030	1	NUT, HEX 1 1/2" - 12 N.F.
9	*	6753000147	1	RING, BACK-UP
10		6910000552	1	SPACER
11	*	7755325609	2	RING, BACK-UP
12	*	7755325000	1	O-RING
13	*	7754000135	1	O-RING, LOW TEMPERATURE
14	*	7794000015	1	RING, WIPER
15	*	7755425609	1	RING, BACK-UP
16	*	7753000150	1	RING, WEAR
17	*	7753000440	1	RING, GT
18	*	7753000119	2	RING, GT WEAR
19		7105221850	4	CAP SCREW, 3/4" -16 N.F. X 2 1/4" GRADE 5
20	*	7794000010	1	SEAL, ROD
21		7440000000	1	FITTING-GREASE
21		7440000400	1	FITTING, 90 DEGREE GREASE
22		7440030000	1	FITTING, STRAIGHT GREASE 1/4" N.P.T.
22		7440030400	1	FITTING, 90 DEGREE
23	#	7926000351	1	VALVE, AIR BLEEDER
24	*	9752100242	1	KIT, REPAIR

\* REPAIR KIT AND/OR PART OF KIT

# SERVICED AS AN ASSEMBLY ONLY

# Manitowoc Crane Group



7049000166

(SHEET 1 OF 1)

36XXXe 344



# Manitowoc Crane Group

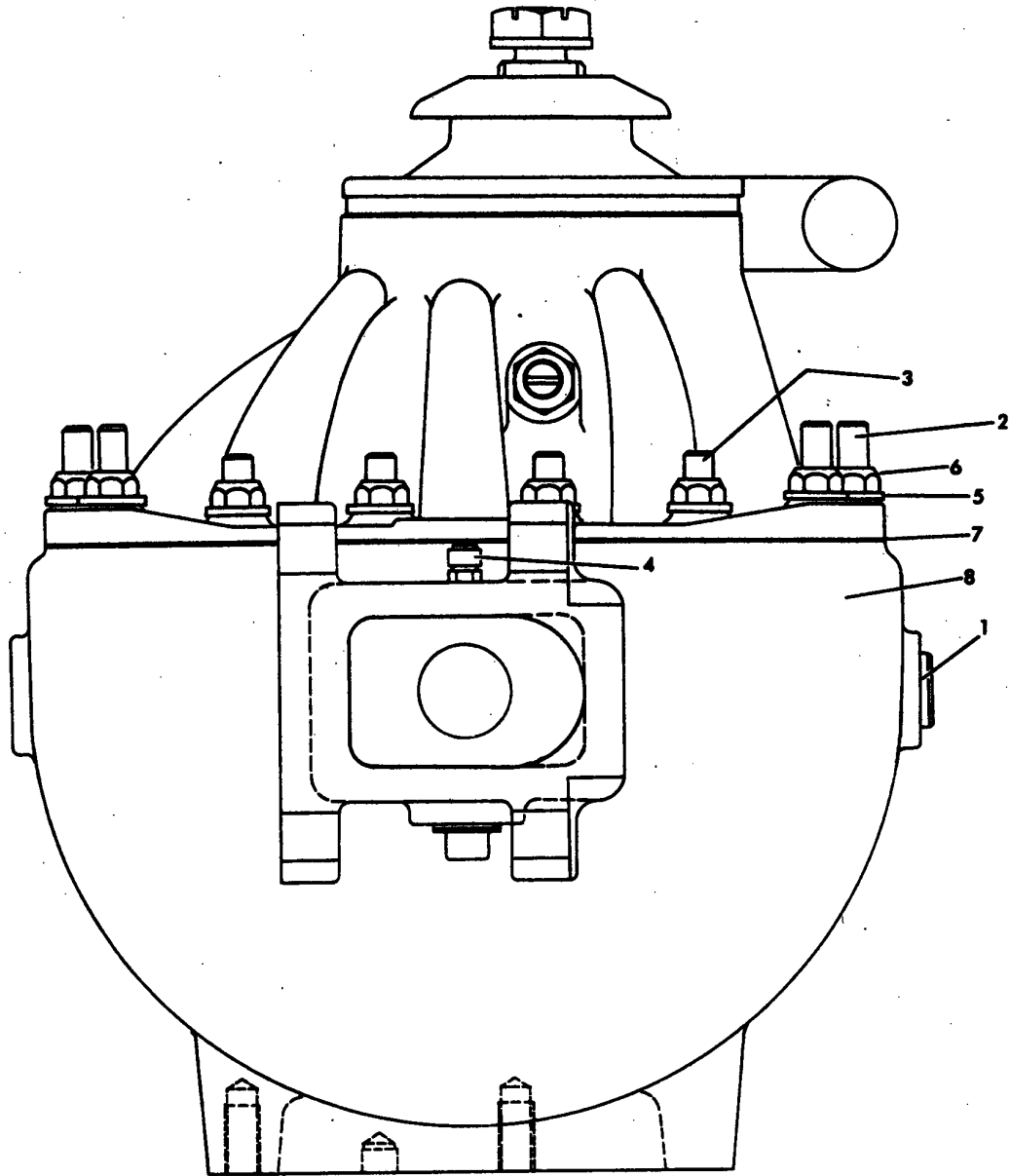
Description  
**AXLE ASSEMBLY**

Assembly No.  
**7049000166**  
Revision:

Item	FN	Part	Qty	Description
1	+	7049000166	1	AXLE ASSEMBLY HOUSING ASSEMBLY
2	+	7049000166	1	AXLE ASSEMBLY DIFFERENTIAL AND CARRIER ASSEMBLY
3	+	7049000166	1	AXLE ASSEMBLY HUB AND SHAFT GROUP
4	+	7049000166	1	AXLE ASSEMBLY BRAKE ASSEMBLY
5	+	7049000166	1	AXLE ASSEMBLY WEDGE ASSEMBLY
6	+	7049000166	1	AXLE ASSEMBLY BRAKE CHAMBER ASSEMBLY

+ SEE FURTHER BREAKDOWN THIS GROUP

# Manitowoc Crane Group



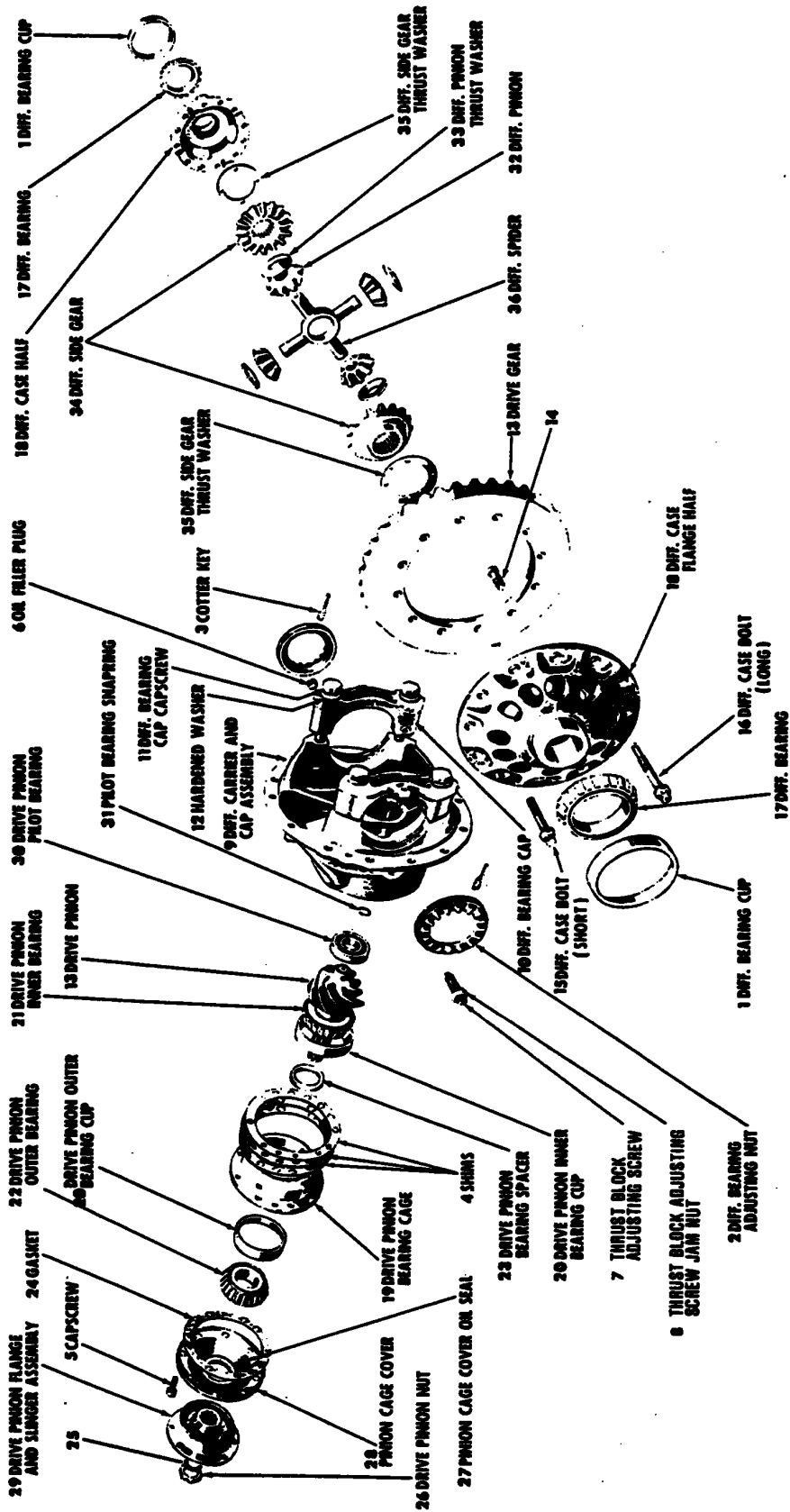
# Manitowoc Crane Group

Description  
**AXLE ASSEMBLY HOUSING ASSEMBLY**

Assembly No.  
**7049000166**  
Revision:

Item	FN	Part	Qty	Description
1		9049101650	2	PLUG
2		9049101560	4	STUD, MEDIUM
3		9049101651	10	STUD
4		9049101912	1	BREATHER
5		9049101652	14	FLATWASHER
6		9049103001	14	LOCKNUT
7		1000000000	0	MAJOR "SPECIAL" LEGEND
8		9049103904	1	HOUSING ASSEMBLY

# Manitowoc Crane Group



7049000166

(SHEET 1 OF 1)

36XXXe 348

# Manitowoc Crane Group

Description

**AXLE ASSEMBLY DIFFERENTIAL AND CARRIER  
ASSEMBLY**

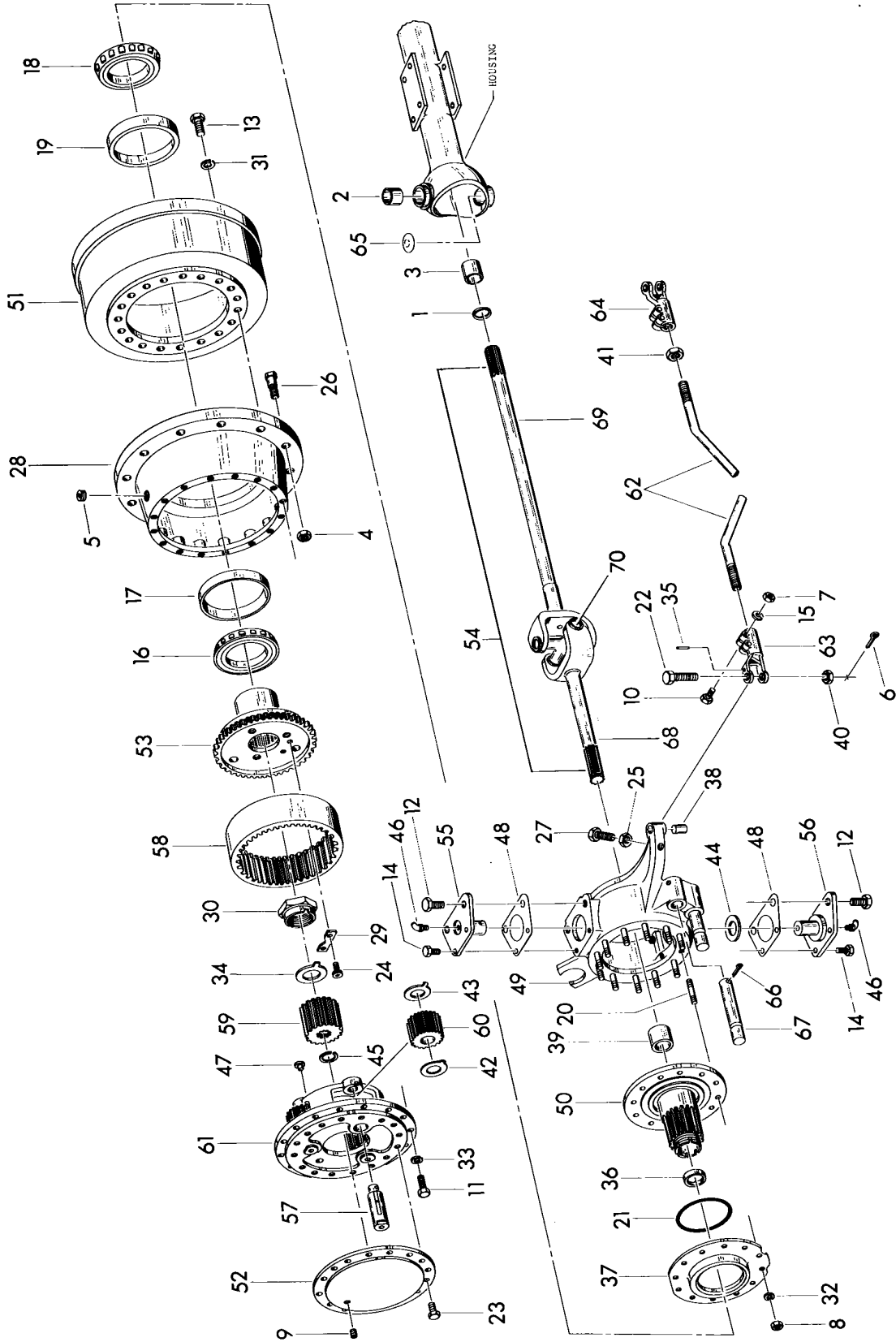
Assembly No.

**7049000166**

Revision:

Item	FN	Part	Qty	Description
1		9049101544	2	CUP, BEARING
2		9049101546	2	RING, ADJUSTING
3		9049101545	2	PIN, COTTER
4		9049101894	2	SHIM, .003"
5		9049101577	8	CAP SCREW,
6		9049101700	1	PLUG
7		9049101498	1	SCREW, THRUST
8		9049101497	1	NUT, JAM
9		9049101886	1	DIFFERENTIAL ASSEMBLY
10		9049101602	4	DOWEL
11		9049102914	4	CAP SCREW,
12		9049101554	4	WASHER .66" I.D.
13		9049101893	1	GEAR
14		9049103961	1	KIT, HARDWARE
15		9049102299	4	CAP SCREW,
16		9049102915	8	CAP SCREW,
17		9049101543	2	CONE, BEARING
18		9049103899	1	CASE ASSY, DIFFERENTIAL
19		9049101583	1	CAGE ASSEMBLY
20		9049101582	2	CUP, BEARING
21		9049101581	1	CONE, BEARING
22		9049101596	1	CONE, BEARING
23		9049102942	1	SPACER .470"
24		9049101580	1	GASKET
25		9049101599	1	WASHER,
26		9049102916	1	NUT
27		9049101579	1	SEAL, OIL
28		9049101578	1	COVER & SEAL ASSY
29		9049101910	1	YOKE
30		9049100598	1	CARRIER AND SLEEVE
31		9049101600	1	RING, RETAINING
32		9049103711	1	NO SPIN ASSY
33		9049103898	1	CARRIER, DIFFERENTIAL

# Manitowoc Crane Group



7049000166

(SHEET 1 OF 1)

36XXXe 350

# Manitowoc Crane Group

Description  
**AXLE ASSEMBLY HUB AND SHAFT GROUP**

Assembly No.  
**7049000166**  
 Revision:

Item	FN	Part	Qty	Description
1		9049101648	2	SEAL, OIL
2		9049102253	4	BUSHING
3		9049101647	2	BUSHING
4		9049102266	24	NUT
5		9049101920	2	PLUG, DRAIN (MAGNETIC)
6		9049101682	2	PIN, COTTER
7		9049101685	4	NUT
8		9049103926	24	NUT
9		9049101855	2	PLUG
10		9049101684	4	CAP SCREW,
11		9049101577	32	CAP SCREW,
12		9049103595	8	CAP SCREW,
13		9049103596	40	CAP SCREW,
14		9049103574	8	CAP SCREW,
15		9722100515	4	LOCKWASHER
16		9049101694	2	CONE, BEARING
17		9049101696	2	CUP, BEARING
18		9049101693	2	CONE, BEARING
19		9049101695	2	CUP, BEARING
20		9049101661	24	STUD
21		9049101698	2	O-RING
22		9049101678	2	CAP SCREW,
23		9049101898	16	CAP SCREW,
24		9049103396	4	SCREW
25		9049101497	2	NUT, JAM
26		9049101687	24	STUD
27		9049101674	2	CAP SCREW,
28		9049101917	2	HUB & CUP
29		9049103395	2	LOCK
30		9049103394	2	NUT
31		9049101705	40	LOCKWASHER
32		9049102173	24	WASHER,
33		9049101980	32	FLATWASHER

# Manitowoc Crane Group

Description  
**AXLE ASSEMBLY HUB AND SHAFT GROUP**

Assembly No.  
**7049000166**  
 Revision:

Item	FN	Part	Qty	Description
34		9049103391	2	WASHER,
35		9049101679	2	PIN
36		9049101656	2	SEAL, OIL
37		9049101697	2	SEAL, OIL
38		9049101680	2	BUSHING
39		9049101657	2	BUSHING
40		9049101681	2	NUT
41		9049101683	1	NUT
42		9049101848	6	WASHER, THRUST
43		9049101847	6	WASHER, THRUST
44		9049101673	2	WASHER, THRUST
45		9049100125	2	WASHER, THRUST
46		9049103562	4	FITTING, GREASE
47		9049103565	6	BUTTON, THRUST
48		9049101669	6	SHIM, .020"
49		9049101914	1	KNUCKLE, STEERING R.H. FRONT - L.H. REAR
50		9049103906	2	SPINDLE ASSEMBLY
51		9049101918	2	DRUM, BRAKE
52		9049102993	2	COVER-PLANETARY
53		9049103393	2	HUB
54		9049101654	2	U-JOINT
55		9049101665	2	CAP
56		9049101915	2	CAP
57		9049101849	6	SHAFT
58		9049103392	2	GEAR
59		9049101844	2	GEAR-20T
60		9049101846	6	GEAR, PINION
61		9049103908	2	PLANETARY SPIDER AND BUTTON
62		9049103910	1	ROD, TIE
63		9049101676	1	YOKE, TIE ROD END (12 THRD)
64		9049101677	1	YOKE, TIE ROD END 16 THREAD PER INCH



# Manitowoc Crane Group

Description

**AXLE ASSEMBLY HUB AND SHAFT GROUP**

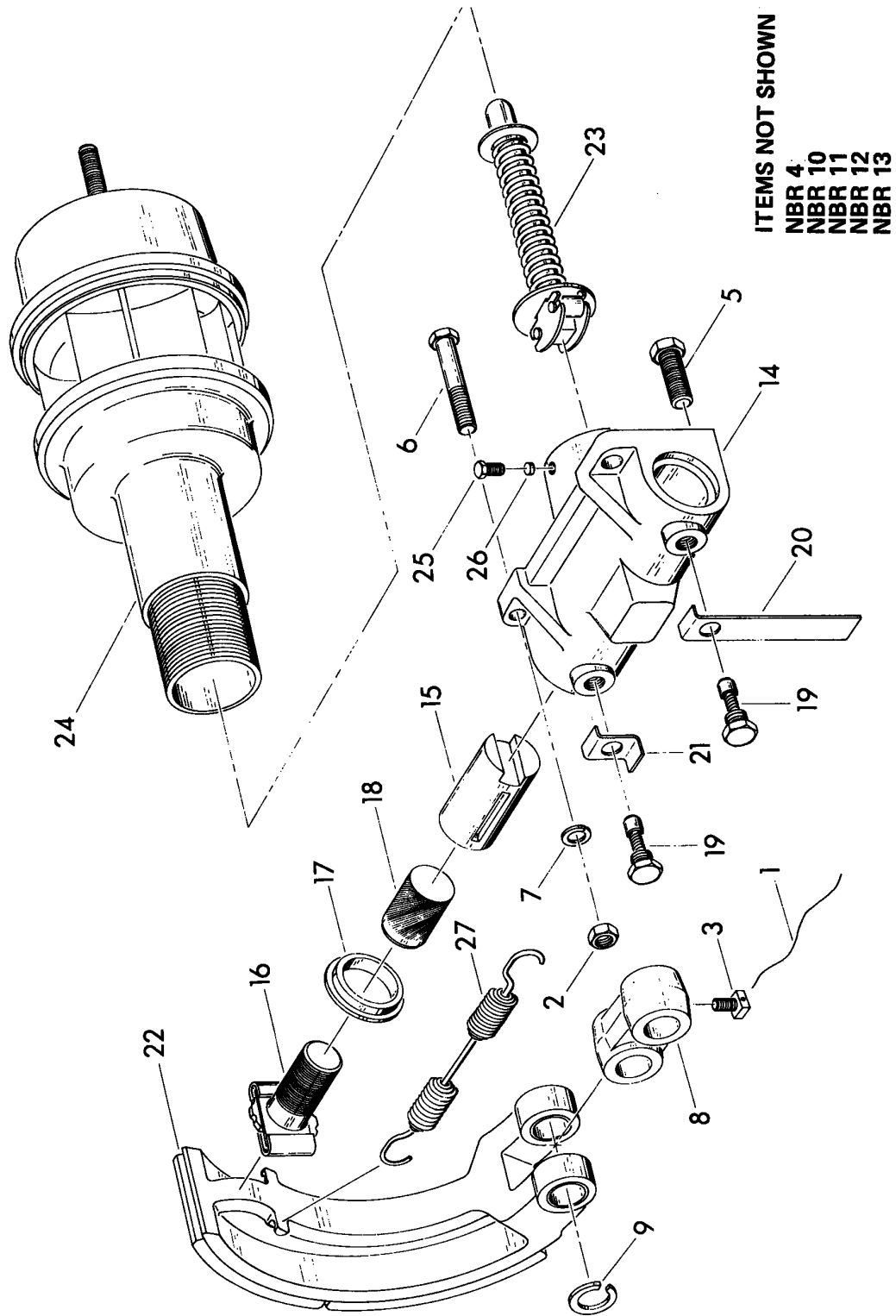
Assembly No.

**7049000166**

Revision:

Item	FN	Part	Qty	Description
65		9049102254	4	PLUG, EXPANSION
66		9049100112	4	NUT
67		9049101934	4	PIN, ANCHOR
68		9049104363	2	SHAFT 13.84 LONG
69		9049104364	2	SHAFT
70		9049104362	2	U-JOINT

# Manitowoc Crane Group



# Manitowoc Crane Group

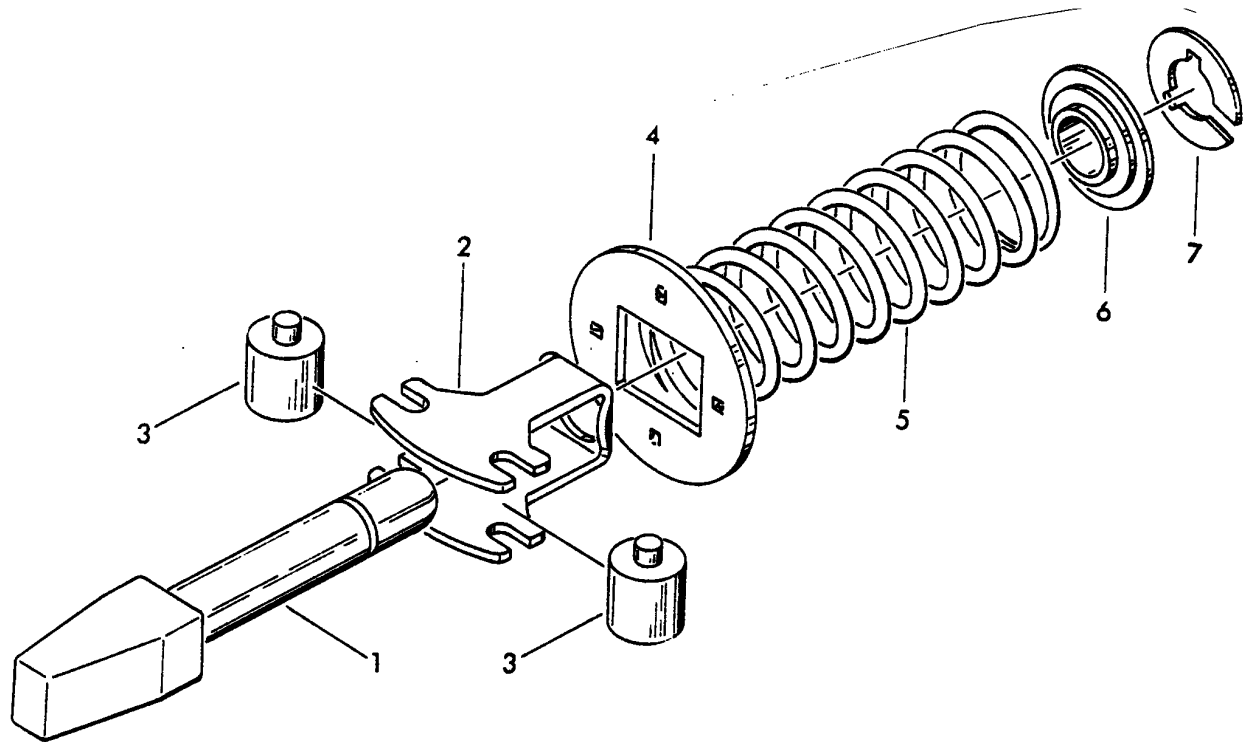
Description  
**AXLE ASSEMBLY BRAKE ASSEMBLY**

Assembly No.  
**7049000166**  
 Revision:

Item	FN	Part	Qty	Description
1		9049101938	2	LOCKWIRE
2		9049101685	4	NUT
3		9049101937	4	CAP SCREW,
4		9049101926	12	CAP SCREW,
5		9049101952	4	CAP SCREW,
6		9049101953	4	CAP SCREW,
7		9722100515	4	LOCKWASHER
8		9049101936	2	LINK
9		9049101935	4	RING, SNAP
10		9049101922	1	SHIELD, DUST - L.H.
11		9049101923	1	SHIELD, DUST - R.H.
12		9049101924	1	SHIELD, DUST
13		9049101925	1	SHIELD, DUST
14		9049103705	2	HOUSING
15		9049101945	4	PLUNGER
16		9049103686	4	BOLT ASSEMBLY
17		9049101943	4	SEAL ASSEMBLY, ANCHOR
18		9049101944	4	ACTUATOR, BRAKE
19		9049103706	4	GUIDE
20		9049102252	2	TAG
21		9049101950	2	LOCKPLATE
22		9049101931	104	RIVET
23		9049101954	2	WEDGE ASSEMBLY
24		9049101962	2	BRAKE CHAMBER ASSEMBLY
25		9049103602	2	CAP SCREW,
26		9049101940	2	PLUG
27	#	9049101930	2	LINING KIT

# SERVICED AS AN ASSEMBLY ONLY

# Manitowoc Crane Group



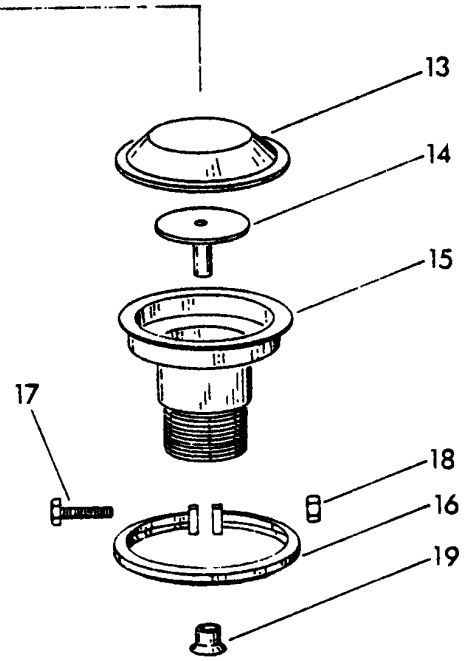
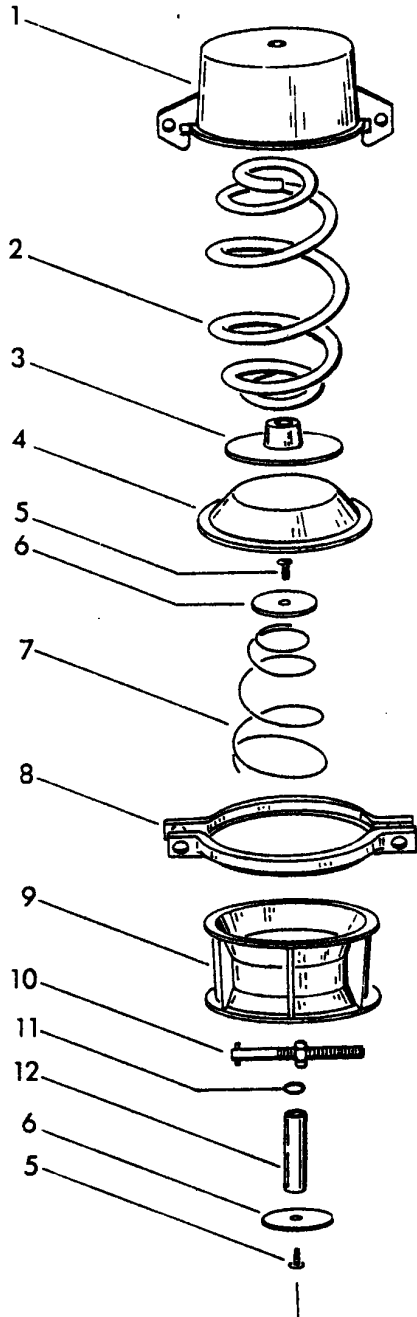
# Manitowoc Crane Group

Description  
**AXLE ASSEMBLY WEDGE ASSEMBLY**

Assembly No.  
**7049000166**  
Revision:

Item	FN	Part	Qty	Description
1		9049101955	1	WEDGE
2		9049101956	1	CAGE
3		9049101957	2	ROLLER
4		9049103749	1	WASHER,
5		9049101959	1	SPRING
6		9049101961	1	WASHER, THRUST
7		9049101960	1	RING, SNAP
8		9049101954	1	WEDGE ASSEMBLY

# Manitowoc Crane Group



# Manitowoc Crane Group

Description

**AXLE ASSEMBLY BRAKE CHAMBER ASSEMBLY**

Assembly No.

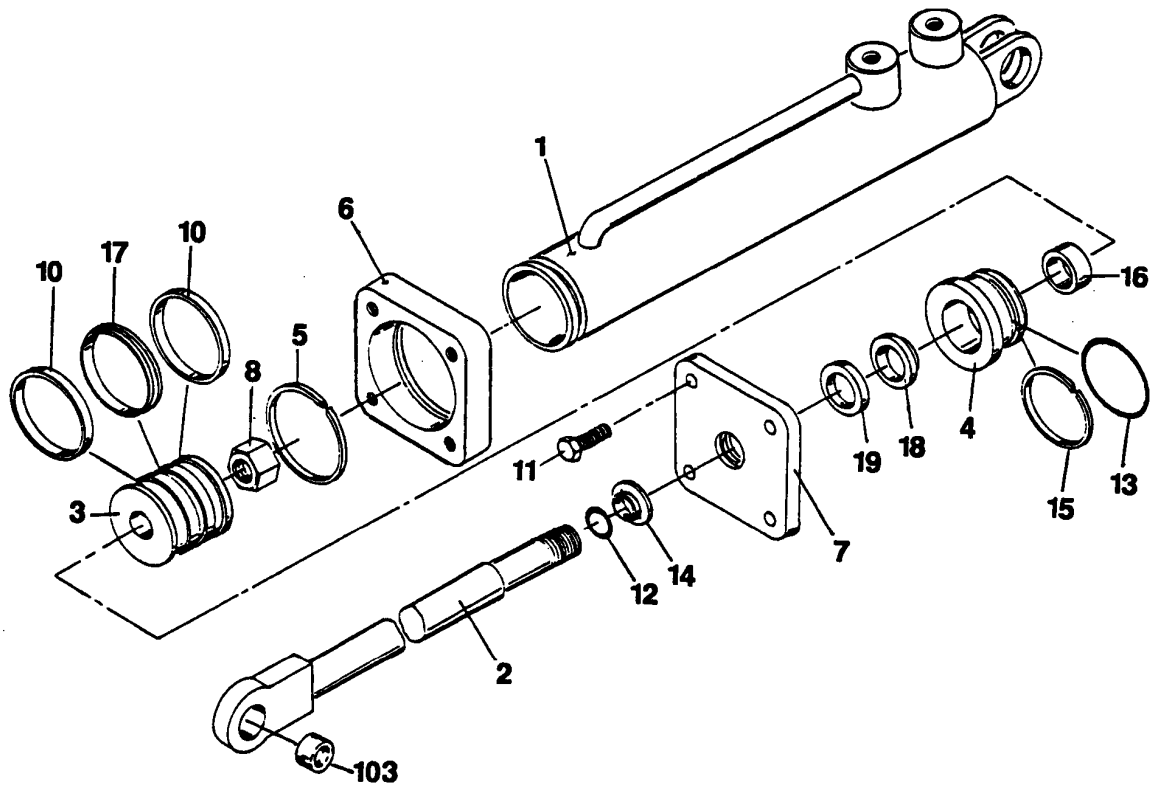
**7049000166**

Revision:

Item	FN	Part	Qty	Description
1	#	NS	1	NOT SERVICED
2	#	NS	1	NOT SERVICED
3	#	NS	1	NOT SERVICED
4	#	NS	1	NOT SERVICED
5	#	NS	2	NOT SERVICED
6	#	NS	2	NOT SERVICED
7	#	NS	1	NOT SERVICED
8	#	NS	1	NOT SERVICED
9	#	NS	1	NOT SERVICED
10	#	NS	1	NOT SERVICED
11	#	NS	1	NOT SERVICED
12	#	NS	1	NOT SERVICED
13		9049101964	1	DIAPHRAGM
14		9049103912	1	PLATE ASSY, DIAPHRAGM
15		9049101966	1	HOUSING, NON-PRESSURE
16		9049101967	1	CLAMP
17		9049103702	2	CAP SCREW,
18		9049103703	2	NUT
19		9049101968	1	GUIDE
20		9049101962	1	BRAKE CHAMBER ASSEMBLY

# SERVICED AS AN ASSEMBLY ONLY

# Manitowoc Crane Group



6372000485

(SHEET 1 OF 1)

36XXXe 360



# Manitowoc Crane Group

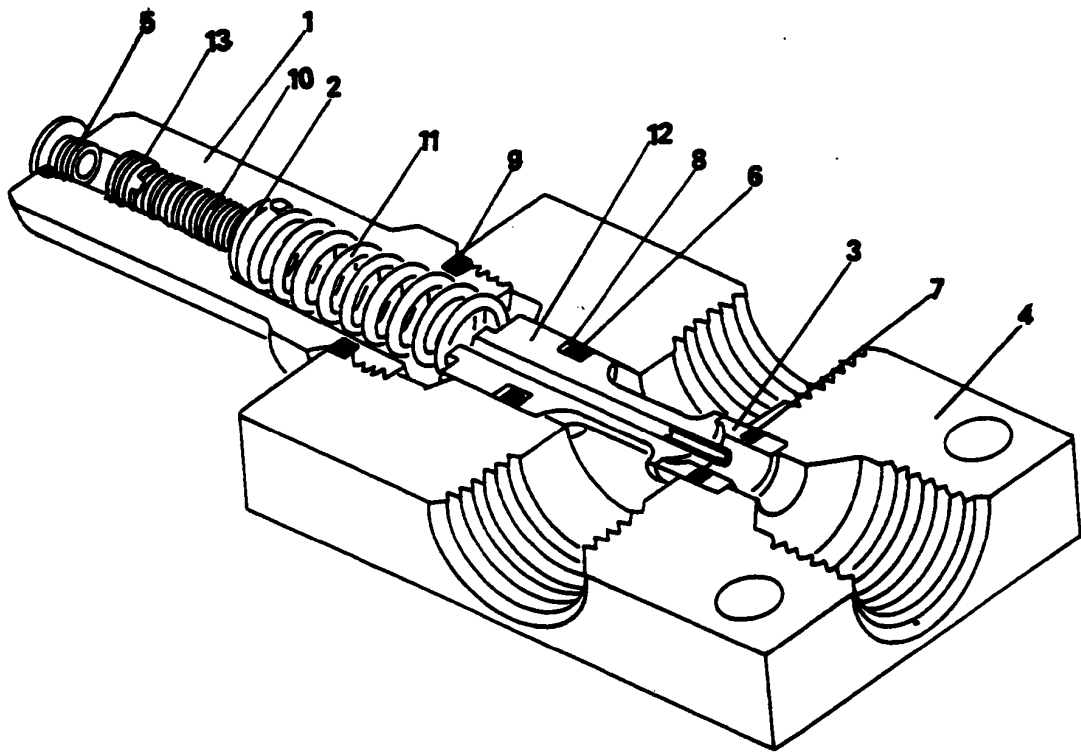
Description  
**CYLINDER ASSEMBLY - 3" STEER (COMPLETE ASSEMBLY)**

Assembly No.  
**6372000485**  
 Revision: F

Item	FN	Part	Qty	Description
1		6372001434	1	BARREL
2		6810000897	1	SHAFT ASSEMBLY INCLUDES NBR 103
3		6701000080	1	PISTON, CYLINDER
4		6372000483	1	HEAD, CYLINDER
5		6753000016	1	RING, LOCK
6		6753000021	1	RING, RETAINING
7		6705000105	1	PLATE, HEAD
8		7659000215	1	LOCKNUT
10	*	7753000117	2	RING, WEAR
11		7105181450	4	CAP SCREW, 1/2" -20 N.F. X 1 3/4" GRADE 5
12	*	7755022000	1	O-RING
13	*	7755334000	1	O-RING
14	*	7794000007	1	RING, WIPER
15	*	7755334609	1	RING, BACK-UP
16	*	7753000175	1	RING, WEAR
17	*	7753000113	1	RING, GT
18	*	7794000006	1	SEAL, ROD
19	*	6753000204	1	RING, BACK-UP
103		7199000198	1	BUSHING
104	*	9752100072	0	KIT, REPAIR

\* REPAIR KIT AND/OR PART OF KIT

# Manitowoc Crane Group



7926000702

(SHEET 1 OF 1)

36XXXe 362

# Manitowoc Crane Group

Description

VALVE ASSEMBLY - RELIEF (SEE SEPARATE PARTS LIST)

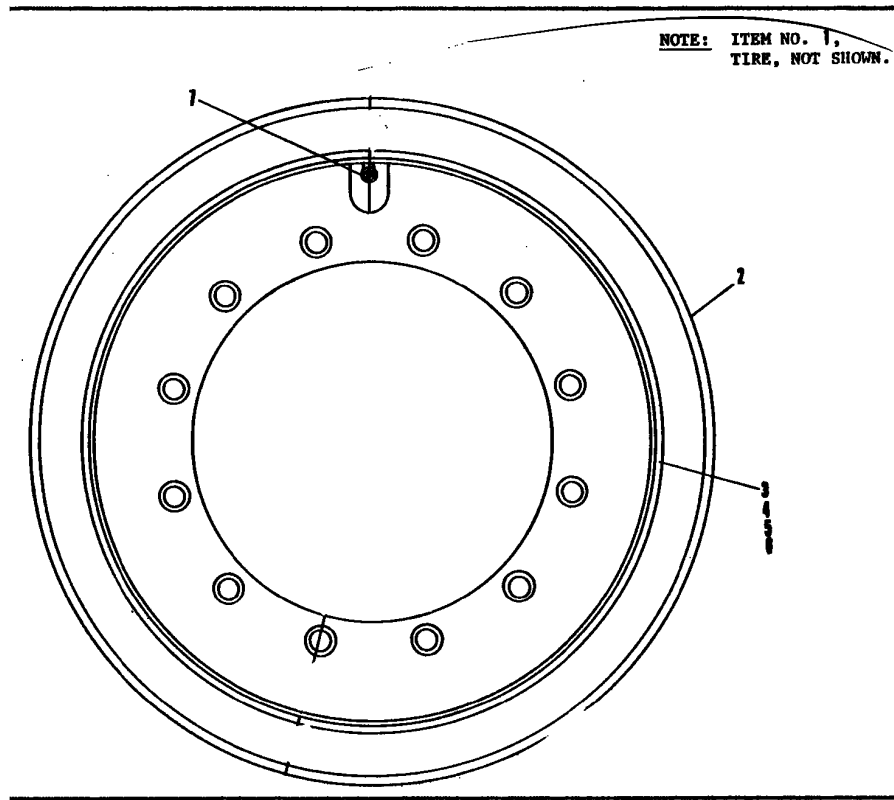
Assembly No.

7926000702

Revision:

Item	FN	Part	Qty	Description
1		9926102038	1	PLUG
2		9926102039	1	END, SPRING
3		9926100786	1	SEAT
4		9926102040	1	BODY
5		9926102041	1	PLUG
6		7755110000	1	O-RING
7		7755013000	1	O-RING
8		7755110609	1	RING, BACK-UP
9		7755117000	1	O-RING
10		9926102042	1	SCREW
11		9926100607	1	SPRING
12		9926102043	1	POPPET
13		9926102044	1	LOCKSCREW

# Manitowoc Crane Group



# Manitowoc Crane Group

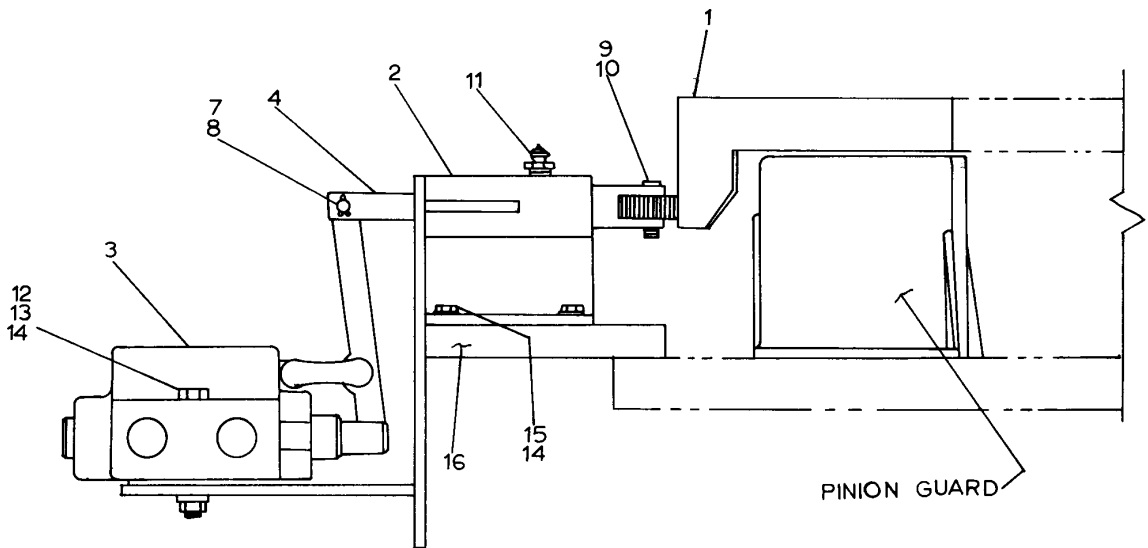
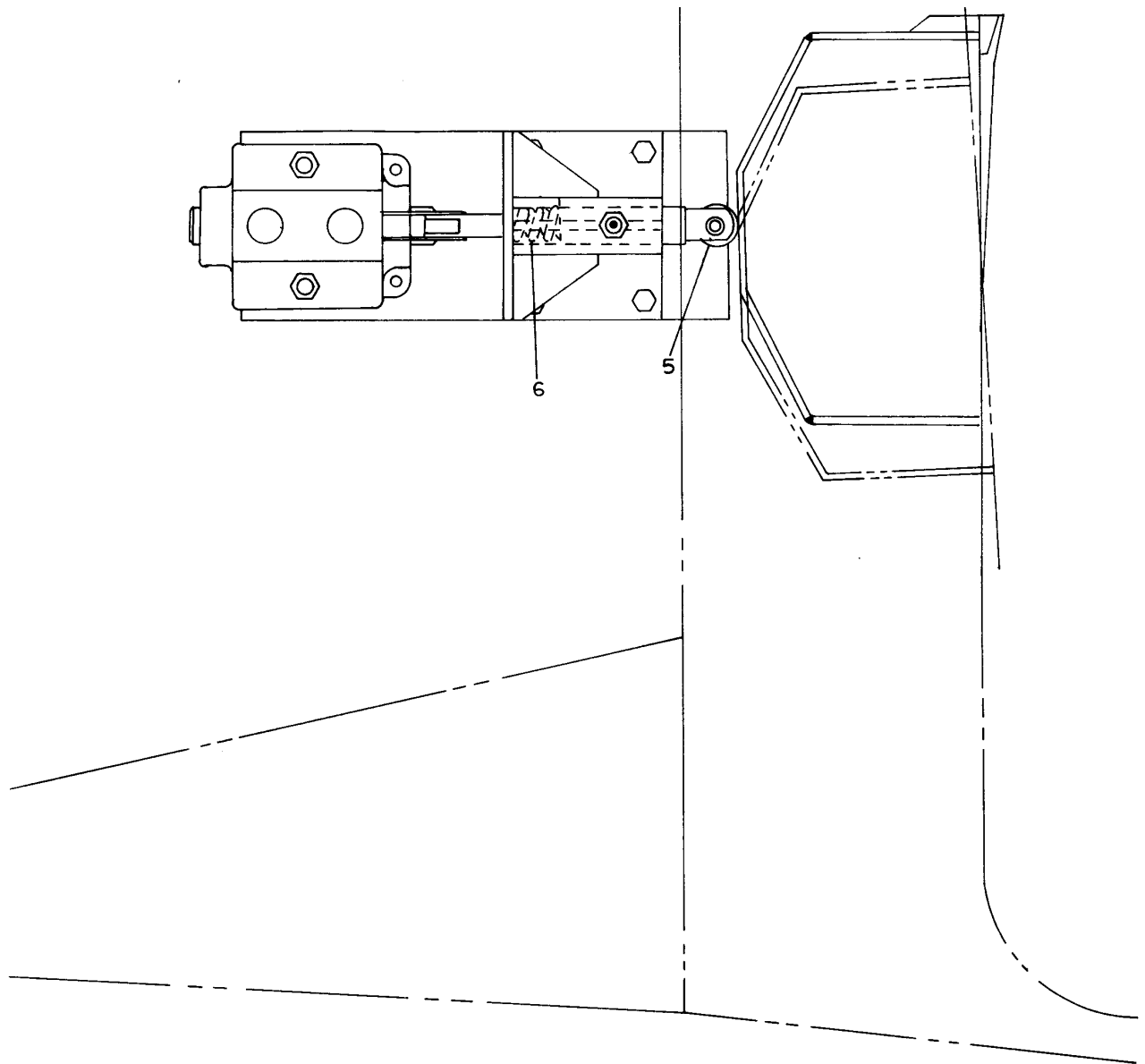
Description  
**TIRE AND WHEEL ASSEMBLY**

Assembly No.  
**6970000292**  
 Revision: #

Item	FN	Part	Qty	Description
1		7900000166	1	TIRE 16.00 X 24
2		6970000189	1	WHEEL AND DISC
3		7450000115	1	FLANGE
5		7753000343	1	RING, LOCK
6		7754000087	1	O-RING
7	#	7926000492	1	VALVE, AIR

# SERVICED AS AN ASSEMBLY ONLY

# Manitowoc Crane Group



2160700010

(SHEET 1 OF 1)

36XXXe 366

# Manitowoc Crane Group

Description

**VALVE INSTALLATION - REAR AXLE LOCKOUT**

Assembly No.

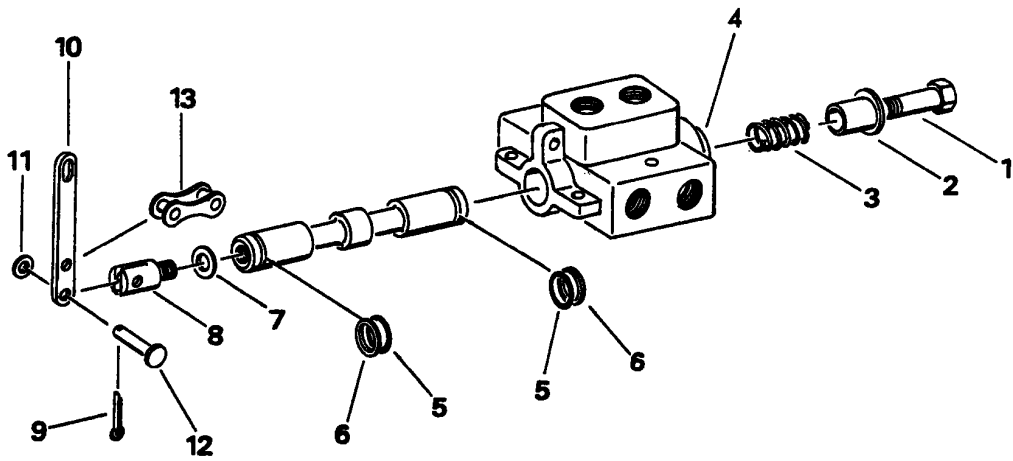
**2160700010**

Revision: **C**

Item	FN	Part	Qty	Description
1		2160700011	1	CAM
2		2160700007	1	BRACKET, LOCKOUT VALVE MOUNTING
3	+	7926000756	1	VALVE ASSEMBLY - SELECTOR
4		4160700010	1	SHAFT, LOCKOUT VALVE
5		7069000100	1	BEARING
6		7834000037	1	SPRING
7		7690141200	1	PIN, CLEVIS 1/4" X 3/4"
8		7690000810	1	PIN, COTTER 1/16" X 1/2"
9		7690152000	1	PIN, CLEVIS
10		7690051210	1	PIN, COTTER 1/8" X 3/4"
11		7440000000	1	FITTING-GREASE
12		7115162250	2	CAP SCREW, 3/8" - 16 N.C. X 2 3/4" GRADE 5
13		7660160000	2	NUT, HEX 3/8" - 16 N.C.
14		7950160050	6	LOCKWASHER, 3/8" I.D.
15		7115160650	4	CAP SCREW, 3/8" - 16 N.C. X 3/4" GRADE 5
16		4160700012	1	PLATE, MOUNTING

+ SEE FURTHER BREAKDOWN THIS GROUP

# Manitowoc Crane Group





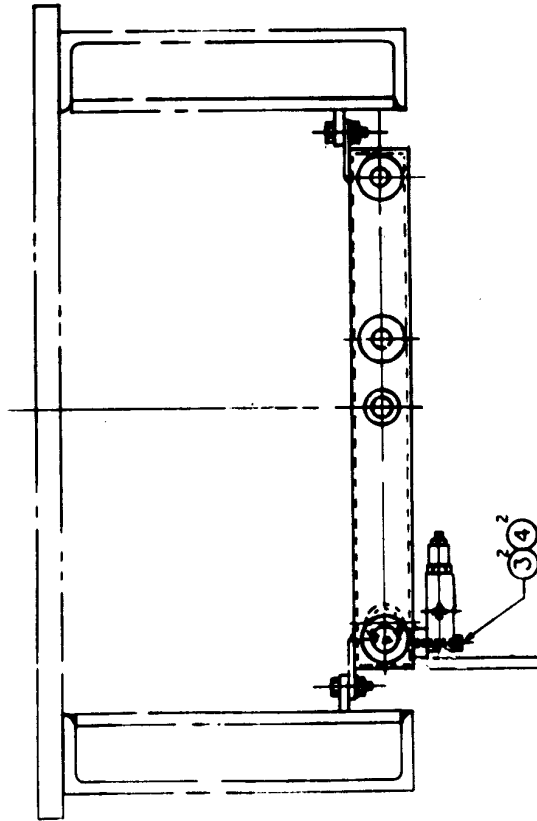
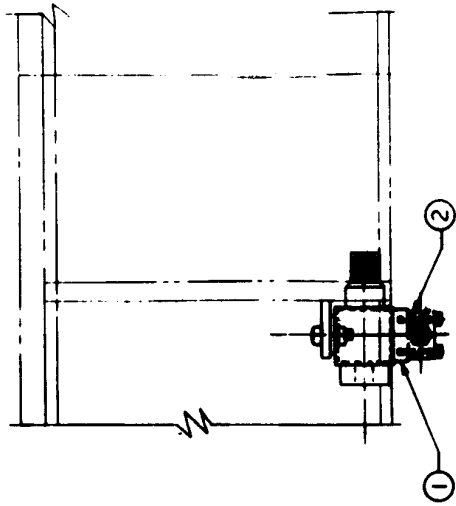
# Manitowoc Crane Group

Description  
**VALVE ASSEMBLY - SELECTOR**

Assembly No.  
**7926000756**  
 Revision:

Item	FN	Part	Qty	Description
1		9926102251	1	SCREW, SHOULDER
2		9926102252	1	SPOOL STOP
3		9926102253	1	SPRING
4		9926102254	1	STOP
5		7755120000	2	O-RING USE FROM JUNE 1979 TO SEPTEMBER 1981
5		7755214000	2	O-RING USE PRIOR TO JUNE 1979 AND AFTER SEPTEMBER 1981
6		7755120609	2	RING, BACK-UP USE FROM JUNE 1979 TO SEPTEMBER 1981
6		7755214609	2	RING, BACK-UP USE PRIOR TO JUNE 1979 AND AFTER SEPTEMBER 1981
7		9926102257	3	WASHER,
8		9926102258	1	CLEVIS
9		9926102259	3	PIN, COTTER
10		9926102260	1	LEVER
11		9926102261	2	WASHER,
12		7690141600	3	PIN, CLEVIS 1/4" X 1"
13		9926102263	1	LINK

# Manitowoc Crane Group



# Manitowoc Crane Group

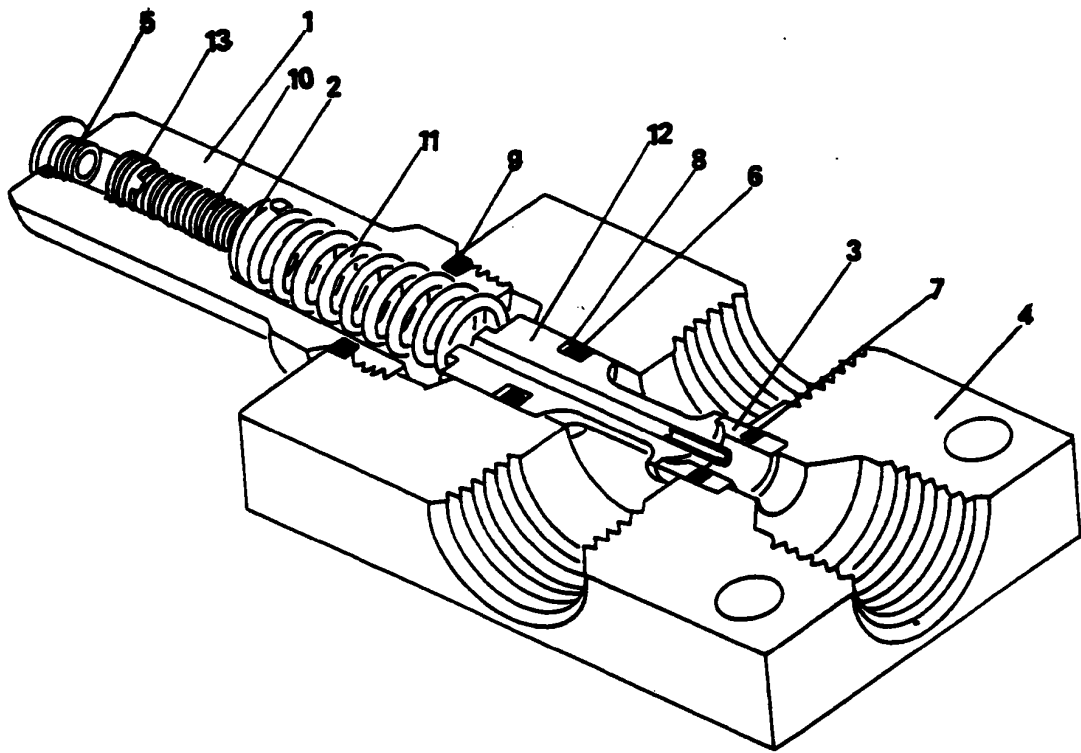
Description  
**RELIEF VALVE INSTALLATION - FRONT STEER**

Assembly No.  
**2160800012**  
 Revision: **C**

Item	FN	Part	Qty	Description
1		<b>6705001507</b>	1	PLATE, RELIEF VALVE MOUNTING
2	+	<b>7926000702</b>	1	VALVE ASSEMBLY - RELIEF (SEE SEPARATE PARTS LIST)
3		<b>7950160050</b>	2	LOCKWASHER, 3/8" I.D.
4		<b>7115161650</b>	2	CAP SCREW, 3/8" - 16 N.C. X 2" GRADE 5

+ SEE FURTHER BREAKDOWN THIS GROUP

# Manitowoc Crane Group



# Manitowoc Crane Group

Description

VALVE ASSEMBLY - RELIEF (SEE SEPARATE PARTS LIST)

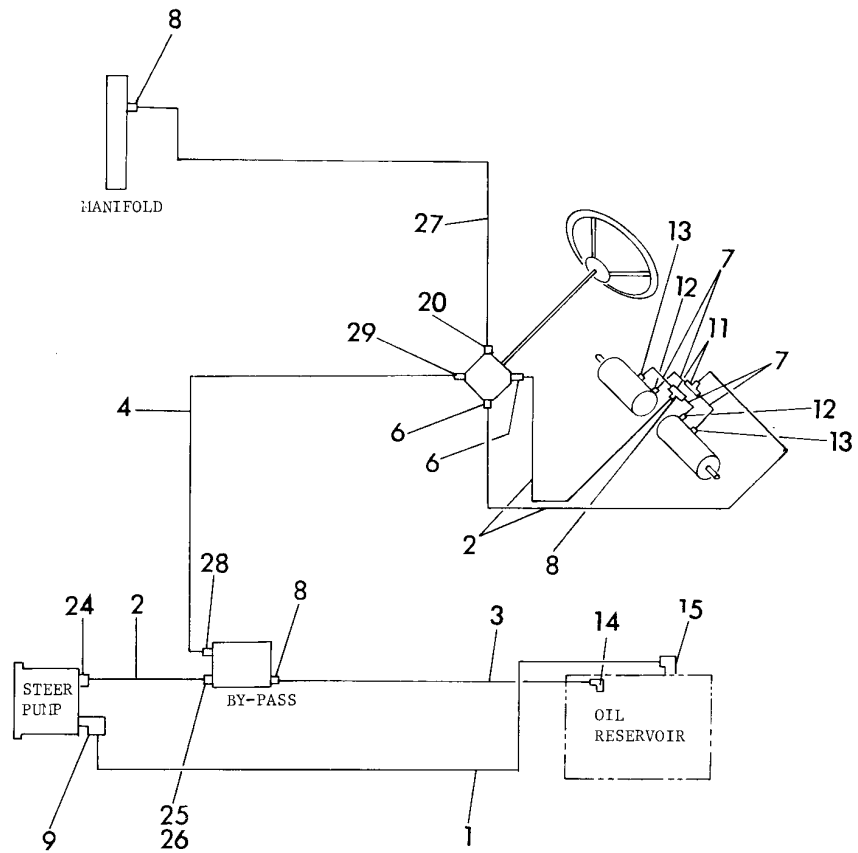
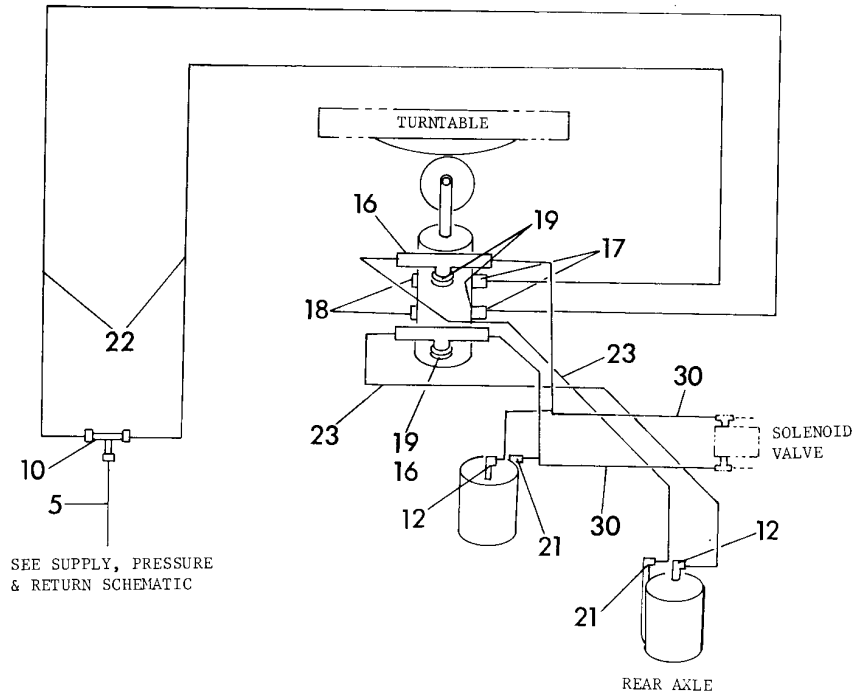
Assembly No.

7926000702

Revision:

Item	FN	Part	Qty	Description
1		9926102038	1	PLUG
2		9926102039	1	END, SPRING
3		9926100786	1	SEAT
4		9926102040	1	BODY
5		9926102041	1	PLUG
6		7755110000	1	O-RING
7		7755013000	1	O-RING
8		7755110609	1	RING, BACK-UP
9		7755117000	1	O-RING
10		9926102042	1	SCREW
11		9926100607	1	SPRING
12		9926102043	1	POPPET
13		9926102044	1	LOCKSCREW

# Manitowoc Crane Group



2160600154

(SHEET 1 OF 1)

36XXXe 374

# Manitowoc Crane Group

Description  
**AXLE LOCKOUT & FRONT STEER HYD**

Assembly No.  
**2160600154**  
 Revision:

Item	FN	Part	Qty	Description
1		7545606090	1	HOSE ASSY 1" X 60"
2		7545308420	3	HOSE ASSY
3		7545302420	1	HOSE ASSY, 1/2" X 24"
4		7545212020	1	HOSE ASSY 3/8" I.D. X 120"
5		6542106005	1	HOSE ASSY 5/16" X 60"
6		7445080811	2	ADAPTER, 45 DEGREE SWIVEL INCLUDES THE FOLLOWING PARTS
		7755908002	1	O-RING
7		7545201220	4	HOSE ASSY 3/8" I.D. X 12"
8		7445080801	4	ADAPTER, STRAIGHT
9		7445121609	1	ADAPTER, SWIVEL
10		7445060613	1	ADAPTER
11		7445080613	2	SWIVEL ADAPTER, UNION - 90 TEE
12		7445060604	4	ADAPTER, SWIVEL
13		7445060605	2	ADAPTER, 90 DEGREE SWIVEL
14		7445080809	1	ADAPTER, SWIVEL
15		7445161609	1	ADAPTER, 45 DEGREE SWIVEL
16		7445080612	2	ADAPTER
17		7445080601	2	ADAPTER, STRAIGHT SWIVEL
18		7444060016	2	PLUG, PIPE 3/4" N.P.T.
19		7444060456	4	BUSHING, REDUCER
20		7445080808	1	ADAPTER, SWIVEL
21		7445060607	2	ADAPTER, SWIVEL
22		7542101205	2	HOSE ASSY 5/16" I.D. X 12"
23		7545213220	2	HOSE ASSY 3/8" X 132"
24		7445080805	1	ELBOW, 90 DEGREE
25		7444020016	1	PLUG, PIPE 1/4" N.P.T.
26		6013000017	1	ADAPTER, SWIVEL

# Manitowoc Crane Group

Description  
**AXLE LOCKOUT & FRONT STEER HYD**

Assembly No.  
**2160600154**  
 Revision:

Item	FN	Part	Qty	Description
27		7542312006	1	HOSE ASSY 1/2" X 120"
28		7445080609	1	ADAPTER, SWIVEL
29		7445080611	1	SWIVEL ADAPTER, UNION - 90 45 DEGREE ELBOW 7755908002 O-RING .644" I.D.
30		7545210820	2	HOSE ASSY 3/8" I.D. X 108"

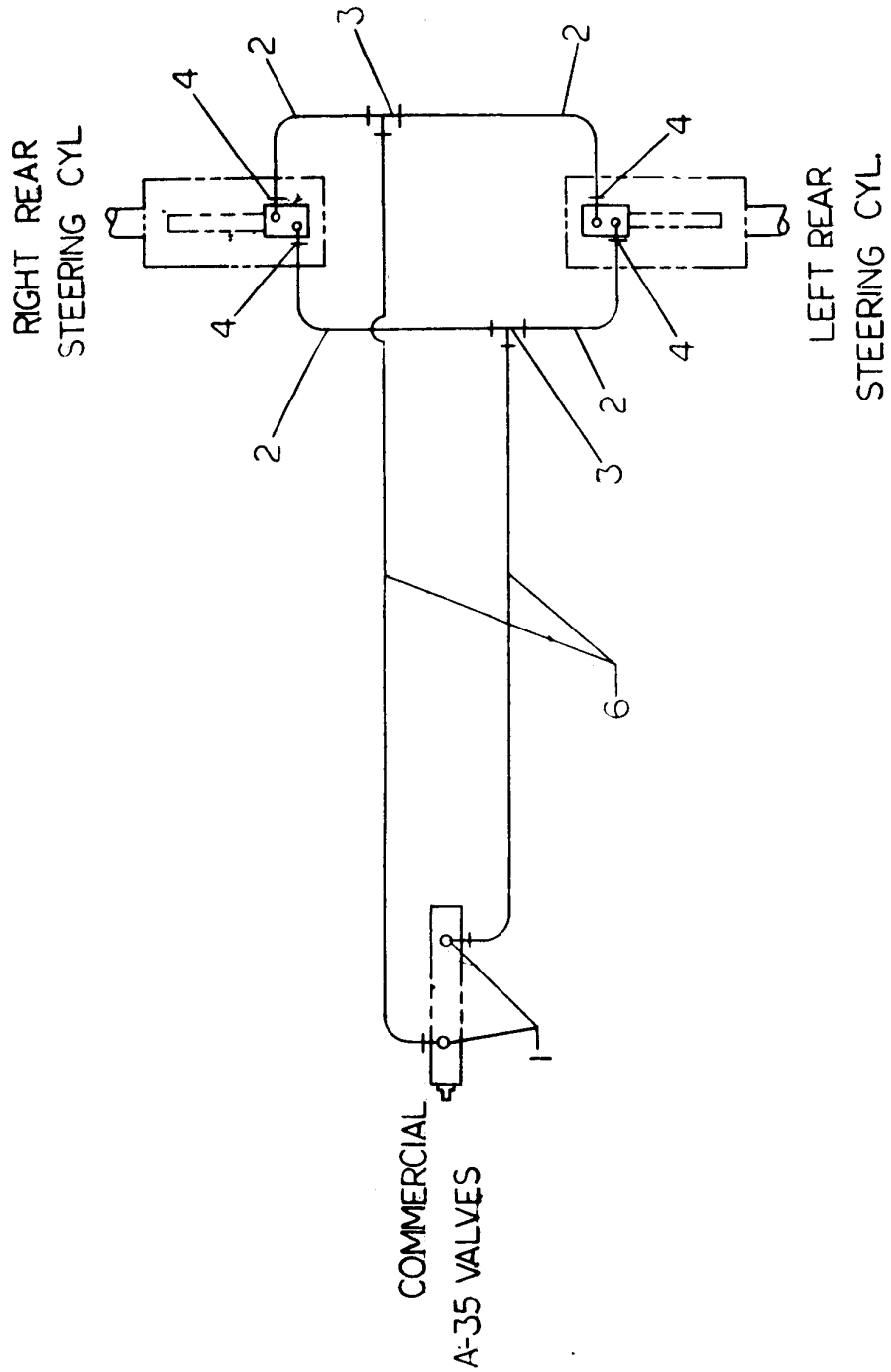


# ***Manitowoc Crane Group***

Notes

---

# Manitowoc Crane Group



1-6-00021

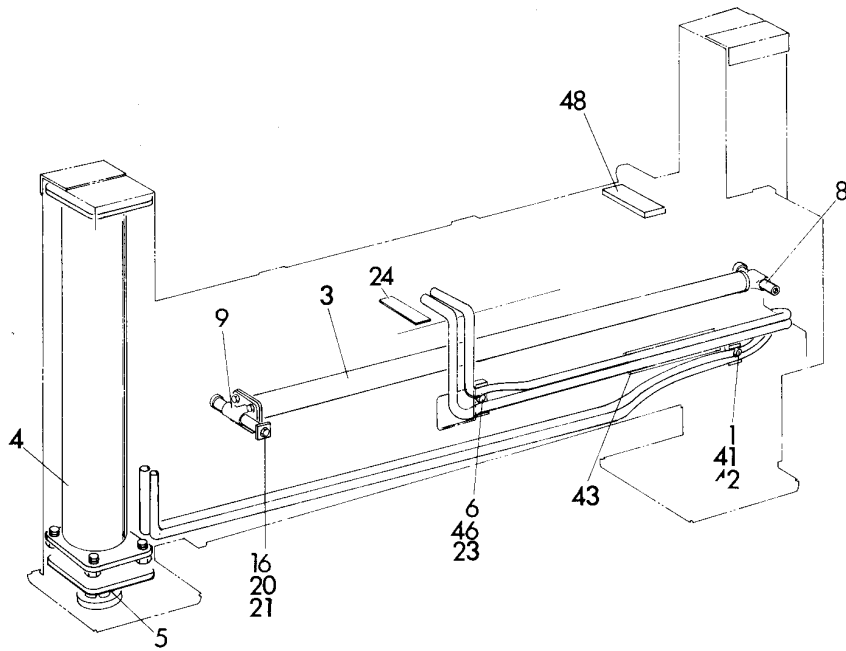
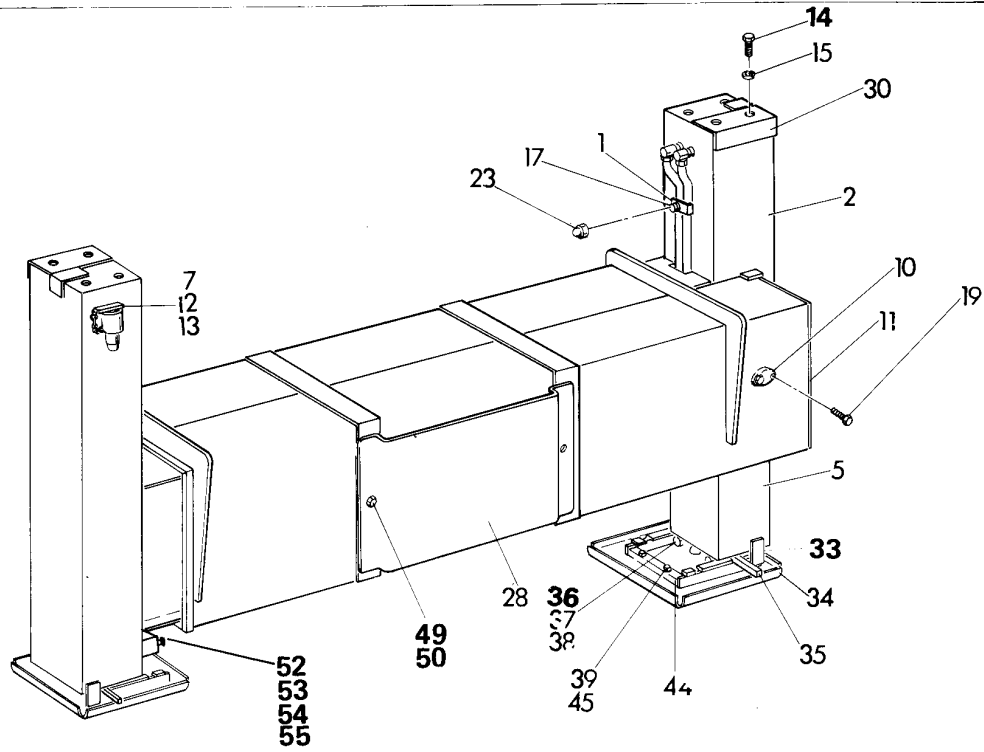
# Manitowoc Crane Group

Description  
**HYDRAULIC LINES INSTALLATION- REAR STEER**

Assembly No.  
**2160600021**  
 Revision: **A**

Item	FN	Part	Qty	Description
1		7445120811	2	ADAPTER, 90 DEGREE SWIVEL
		7755912002	1	INCLUDES THE FOLLOWING PARTS O-RING
2		7545201520	4	HOSE ASSY 3/8" I.D. X 15"
3		7445080613	2	SWIVEL ADAPTER, UNION - 90 TEE
4		7445060609	4	ELBOW, 45 DEGREE
6		7545315620	2	HOSE ASSY 1/2" I.D. X 156"

# Manitowoc Crane Group



216010008

(SHEET 1 OF 1)

36XXXe 380

# Manitowoc Crane Group

Description  
**OUTRIGGER INSTALLATION**

Assembly No.  
**2160100008**  
 Revision: #

Item	FN	Part	Qty	Description
1		6300000043	4	CLAMP, HOSE
2		2160100009	2	BOX, OUTER AND EXTENSION
3	+	6372000500	2	CYLINDER ASSEMBLY - EXTENSION
4	+	6372001650	2	CYLINDER ASSEMBLY
5		2160100012	2	BOX, OUTRIGGER INNER
6		2160100072	2	CLAMP, HOSE
7		2112100014	2	PIN
8		6810000772	2	SHAFT
9		6810000770	2	SHAFT, HEADED
10		6258000005	2	COVER
11		4160100119	2	PLATE, OUTRIGGER
12		6601000001	2	LINK, LOOP
13		6286000004	2	CHAIN - USE 9286100001 QTY 1 CHAIN 2 FEET
14		7115201450	16	CAP SCREW, 5/8" - 11 N.C. X 1 3/4" GRADE 5
15		7949000259	16	WASHER, 5/8" I.D.
16		6258000067	2	CAP, END
17		7115151050	2	CAP SCREW, 5/16" - 18 N.C. X 1 1/4" GRADE 5
19		7790160853	4	SCREW, SELF-TAPPING 3/8" - 16 N.C. X 1/2"
20		7115160850	4	CAP SCREW, 3/8" - 16 N.C. X 1" GRADE 5
21		7950160050	2	LOCKWASHER, 3/8" I.D.
23		7950150050	4	LOCKWASHER, 5/16" I.D.
24		6705006545	2	PLATE 16 GA
28		4160100139	1	COVER, HOSE
30		6258000098	2	COVER
33		4160100055	4	GUSSET
34		2160100021	2	PAD, OUTRIGGER
35		4160100085	4	LEVER, LATCH

+ SEE FURTHER BREAKDOWN THIS GROUP

# Manitowoc Crane Group

Description  
**OUTRIGGER INSTALLATION**

Assembly No.  
**2160100008**  
 Revision: #

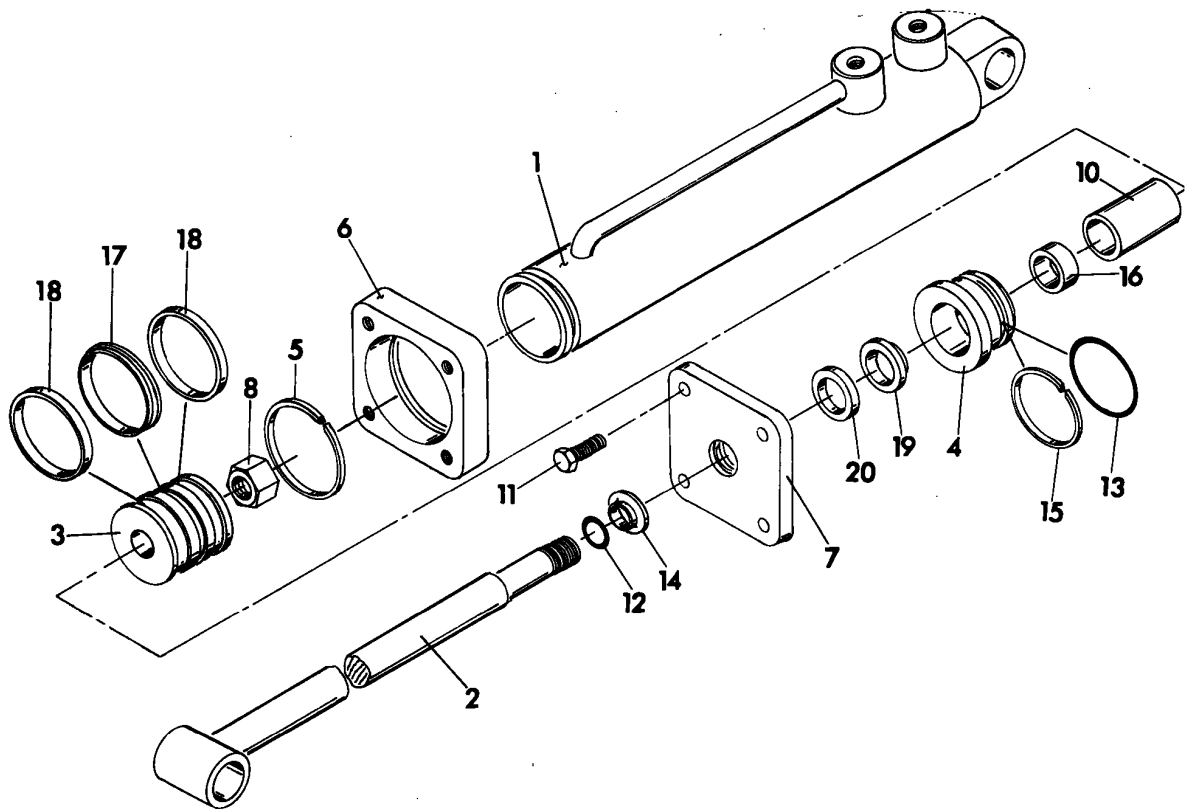
Item	FN	Part	Qty	Description
36		7115162050	4	CAP SCREW, 3/8" - 16 N.C. X 2 1/2" GRADE 5
37		7660160000	4	NUT, HEX 3/8" - 16 N.C.
38		7950160050	4	LOCKWASHER, 3/8" I.D.
39		7950140050	6	LOCKWASHER, 1/4" I.D.
41		7660151600	2	LOCKNUT, HEX 5/16" - 18 N.C.
42		7115151250	2	CAP SCREW, 5/16" - 18 N.C. X 1 1/2" GRADE 5
43		6814000110	2	SHEATH, HOSE
44		4160100108	2	BAR, STOP
45		7115140650	6	CAP SCREW, 1/4" - 20 N.C. X 3/4" GRADE 5
46		7660150000	2	NUT, HEX 5/16" - 18 N.C.
47		6671000143	2	PAD, WEAR 1/2" X 2" X 6"
49		7866162140	2	STUD 3/8" - 16 N.C. X 7/8"
50		7660161600	2	LOCKNUT, HEX 3/8" - 16 N.C.
52		4114900021	2	PAD, SIDE WEAR
53		4114900049	2	SPACER, WEAR PAD
54		7660220200	2	NUT, HEX JAM 3/4" - 10 N.C.
55		7115221450	2	CAP SCREW, 3/4" - 10 N.C. X 1 3/4" GRADE 5

# ***Manitowoc Crane Group***

Notes

---

# Manitowoc Crane Group



6372000500

(SHEET 1 OF 1)

36XXXe 384



# Manitowoc Crane Group

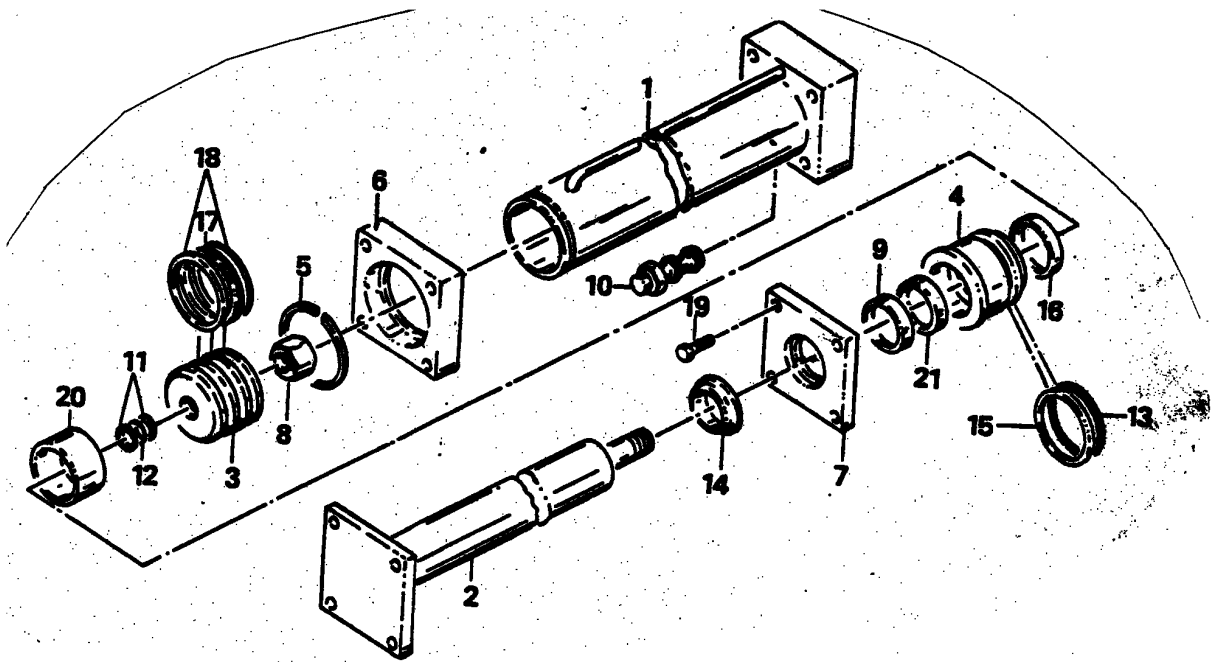
Description  
**CYLINDER ASSEMBLY - EXTENSION**

Assembly No.  
**6372000500**  
 Revision: **G**

Item	FN	Part	Qty	Description
1		6372001461	1	BARREL
2		6768000175	1	ROD
3		6701000080	1	PISTON, CYLINDER
4		6372000483	1	HEAD, CYLINDER
5		6753000016	1	RING, LOCK
6		6753000021	1	RING, RETAINING
7		6705000105	1	PLATE, HEAD
8		7659000215	1	LOCKNUT
10		6910000521	1	SPACER
11		7105181450	4	CAP SCREW, 1/2" -20 N.F. X 1 3/4" GRADE 5
12	*	7755022000	1	O-RING
13	*	7755334000	1	O-RING
14	*	7794000007	1	RING, WIPER
15	*	7755334609	1	RING, BACK-UP
16	*	7753000175	1	RING, WEAR
17	*	7753000113	1	RING, GT
18	*	7753000117	2	RING, WEAR
19	*	7794000006	1	SEAL, ROD
20	*	6753000204	1	RING, BACK-UP
21	*	9752100072	1	KIT, REPAIR

\* REPAIR KIT AND/OR PART OF KIT

# Manitowoc Crane Group



6372001650

(SHEET 1 OF 1)

36XXXe 386

# Manitowoc Crane Group

Description  
CYLINDER ASSEMBLY

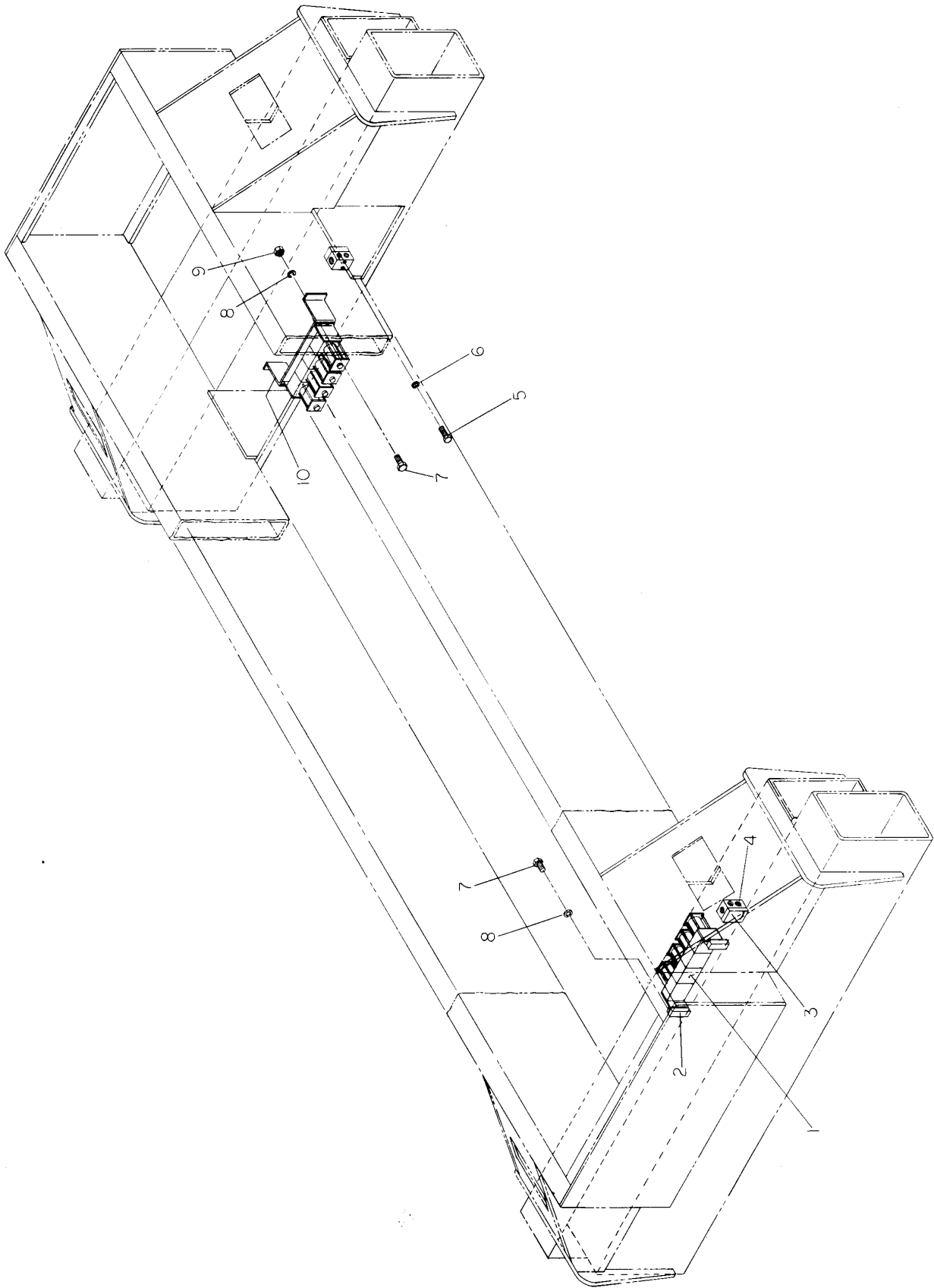
Assembly No.  
**6372001650**  
Revision: **D**

Item	FN	Part	Qty	Description
1		6372001651	1	BARREL
2		6810000768	1	SHAFT
3		6701000138	1	PISTON, CYLINDER
4		6372002046	1	HEAD
5		6753000018	1	RING, LOCK
6		6753000036	1	RING, RETAINING
7		6705000221	1	PLATE, HEAD
8		7659000216	1	NUT, HEX
9	*	6753000145	1	RING, BACK-UP
10	#	7926002359	1	3/8" P.O. CHECK VALVE (W/ HARD INCLUDES THE FOLLOWING PARTS
	#	9752101337	1	KIT, SEAL
11	*	7755325609	2	RING, BACK-UP
12	*	7755325000	1	O-RING
13	*	7754000135	1	O-RING, LOW TEMPERATURE
14	*	7794000022	1	SEAL, SCRAPER
15	*	7755425609	1	RING, BACK-UP
16	*	7753000148	1	RING, WEAR
17	*	7753000440	1	RING, GT
18	*	7753000119	2	RING, GT WEAR
19		7105221850	4	CAP SCREW, 3/4" -16 N.F. X 2 1/4" GRADE 5
20		6768000226	1	SPACER, ROD
21	*	7794000002	1	SEAL, "U" CUP ROD
22	*	9752100241	0	KIT, REPAIR

\* REPAIR KIT AND/OR PART OF KIT

# SERVICED AS AN ASSEMBLY ONLY

# Manitowoc Crane Group



2-160-1-00005

2160100005

(SHEET 1 OF 1)

36XXXe 388

# Manitowoc Crane Group

Description

**VALVE INSTALLATION - FRONT AND REAR OUTRIGGER**

Assembly No.

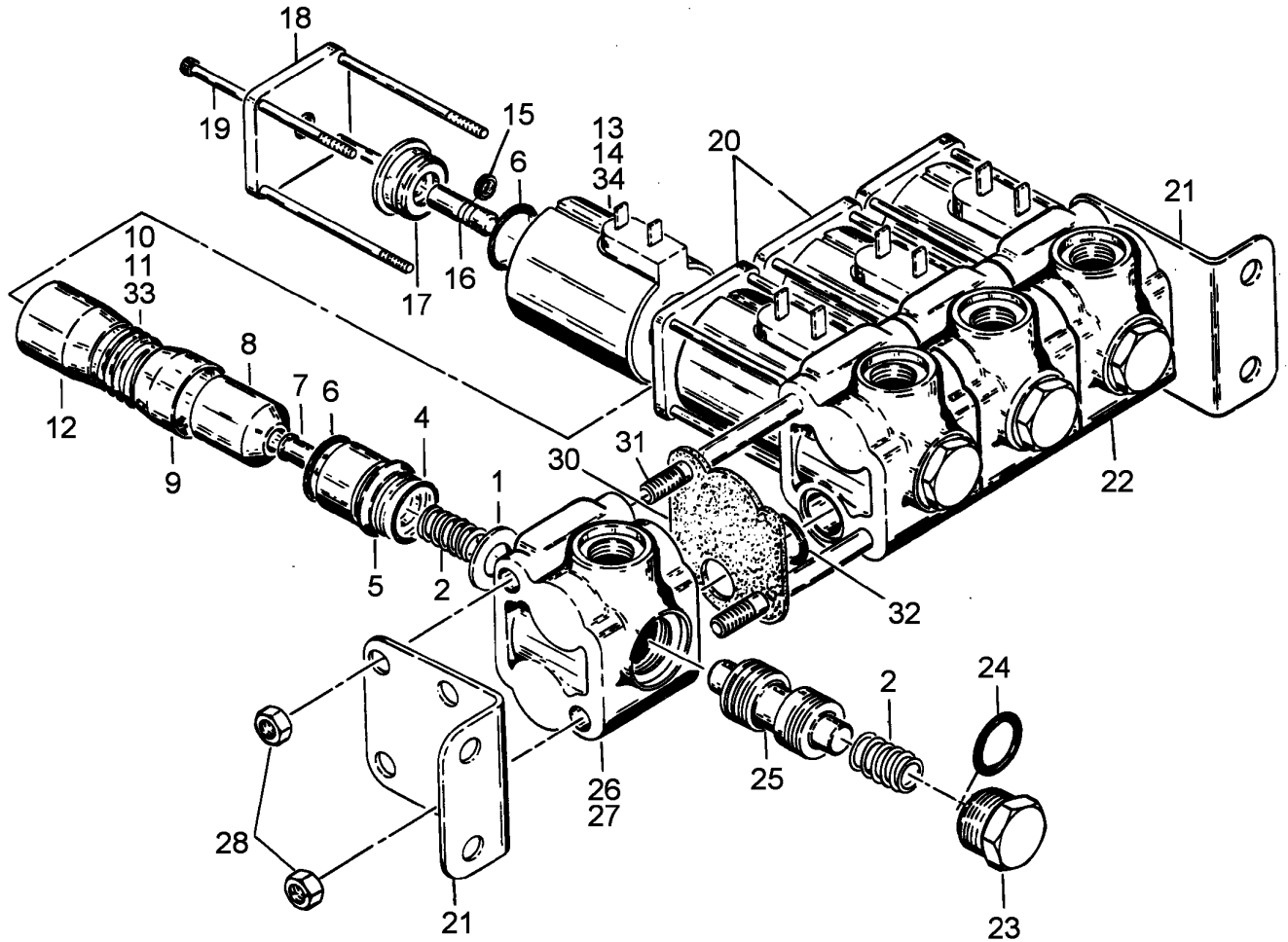
**2160100005**

Revision: **B**

Item	FN	Part	Qty	Description
1	+	<b>7926000219</b>	2	VALVE ASSEMBLY - 4 STACK OUTRIGGER SOLENOID
4		<b>4104800012</b>	2	HOUSING, MANIFOLD
5		<b>7115141650</b>	4	CAP SCREW, 1/4" - 20 N.C. X 2" GRADE 5
6		<b>7950140050</b>	4	LOCKWASHER, 1/4" I.D.
7		<b>7115160850</b>	8	CAP SCREW, 3/8" - 16 N.C. X 1" GRADE 5
8		<b>7950160050</b>	8	LOCKWASHER, 3/8" I.D.
9		<b>7660160000</b>	4	NUT, HEX 3/8" - 16 N.C.

+ SEE FURTHER BREAKDOWN THIS GROUP

# Manitowoc Crane Group



7926000219

(SHEET 1 OF 1)

36XXXe 390

# Manitowoc Crane Group

Description

**VALVE ASSEMBLY - 4 STACK OUTRIGGER SOLENOID**

Assembly No.

**7926000219**

Revision:

Item	FN	Part	Qty	Description
1		9926100766	4	WASHER, (1 PER SECTION)
2		9926100765	8	SPRING (2 PER SECTION)
4		9926101775	4	O-RING (1 PER SECTION)
5		9926101778	4	CONE (1 PER SECTION)
6		7755015002	8	O-RING (2 PER SECTION)
7		9926101779	4	PIN (1 PER SECTION)
8		9926101777	4	PLUNGER (1 PER SECTION)
9		9926100773	4	SLEEVE (1 PER SECTION)
10		9926100779	4	GUIDE, TUBE (1 PER SECTION) INCLUDES NBRS 4 - 8, 15 - 17 AND 33
11		9926100772	4	SPRING (1 PER SECTION)
12		9926100771	4	SLEEVE (1 PER SECTION)
13		9926100760	4	COIL, 12 VOLT (1 PER SECTION)
14		9926100769	4	SHELL (1 PER SECTION)
15		9926100764	4	RING, QUAD (1 PER SECTION)
16		9926102007	4	PIN (1 PER SECTION)
17		9926100848	4	GUIDE (1 PER SECTION)
18		9926100775	4	PLATE, END (1 PER SECTION)
19		9926100774	16	SCREW 3/16" - 32 N.F. (4 PER SECTION)
20		9926101999	2	VALVE, SECTION VALVE SECTION ASSY. COMPLETE

# Manitowoc Crane Group

Description

**VALVE ASSEMBLY - 4 STACK OUTRIGGER SOLENOID**

Assembly No.

**7926000219**

Revision:

Item	FN	Part	Qty	Description
21		9926102828	2	BRACKET
22		9926102000	1	VALVE, SECTION VALVE SECTION ASSY. COMPLETE
23		9926102005	4	PLUG, #8 SAE SPECIAL INCLUDES THE FOLLOWING PARTS
		7755908002	1	O-RING
24		7755908002	4	O-RING (1 PER SECTION)
25		NSS	1	SPOOL SPOOL
26		NSS	1	BODY BODY
27		9926101998	1	VALVE, SECTION VALVE SECTION ASSY. COMPLETE
28		9926102824	4	NUT 3/8"
30		9926102452	3	PLATE, SEAL
31		9926102850	2	STUD
32		7755015002	3	O-RING
33		9926100843	4	TUBE (1 PER SECTION)
34		9926102269	4	SOLENOID ASSEMBLY (1 PER SECTION) INCLUDES NBRS 9 - 14, 18 AND 19

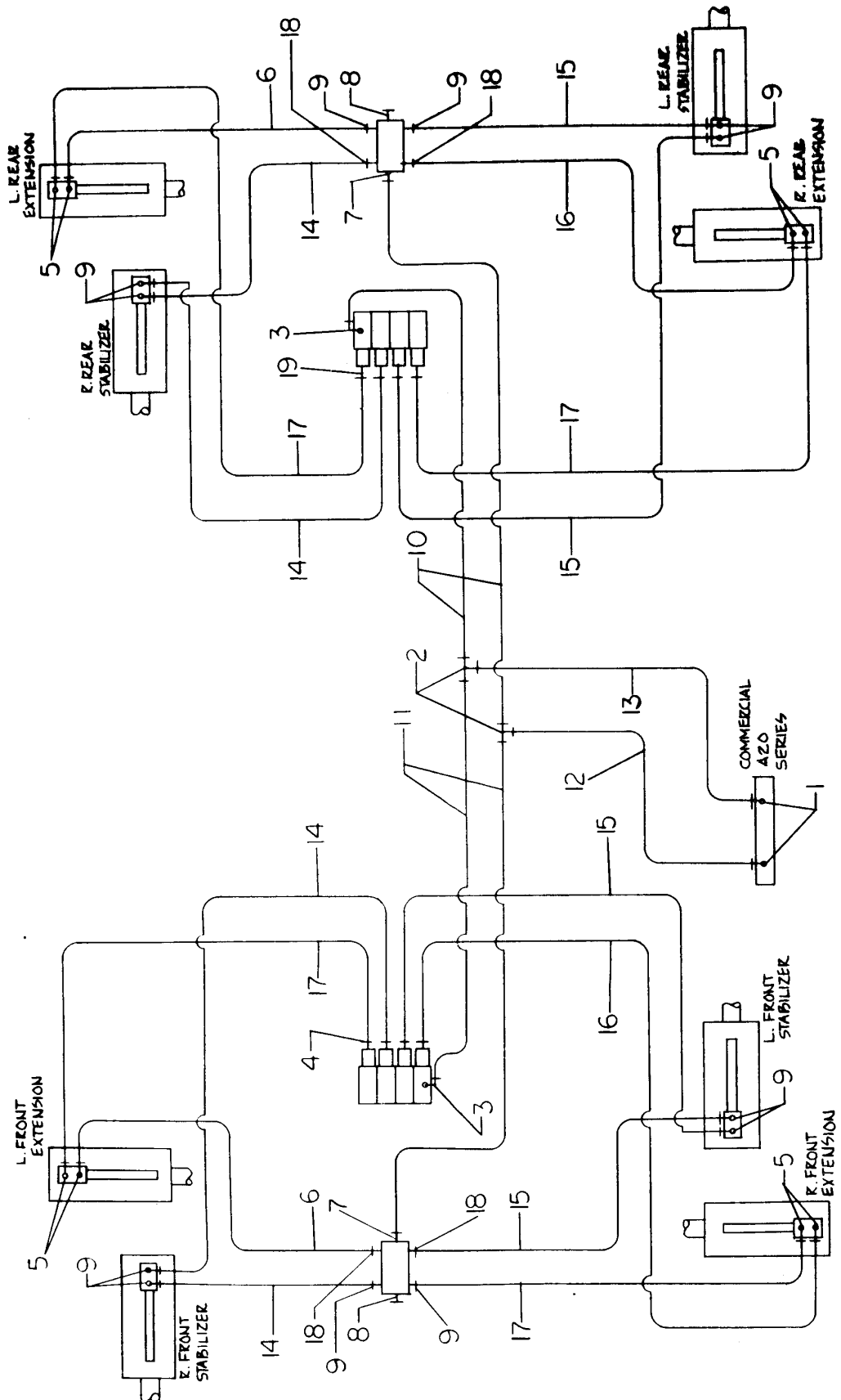


# ***Manitowoc Crane Group***

Notes

---

# Manitowoc Crane Group



2-160-6-00010

2160600010

(SHEET 1 OF 1)

36XXXe 394

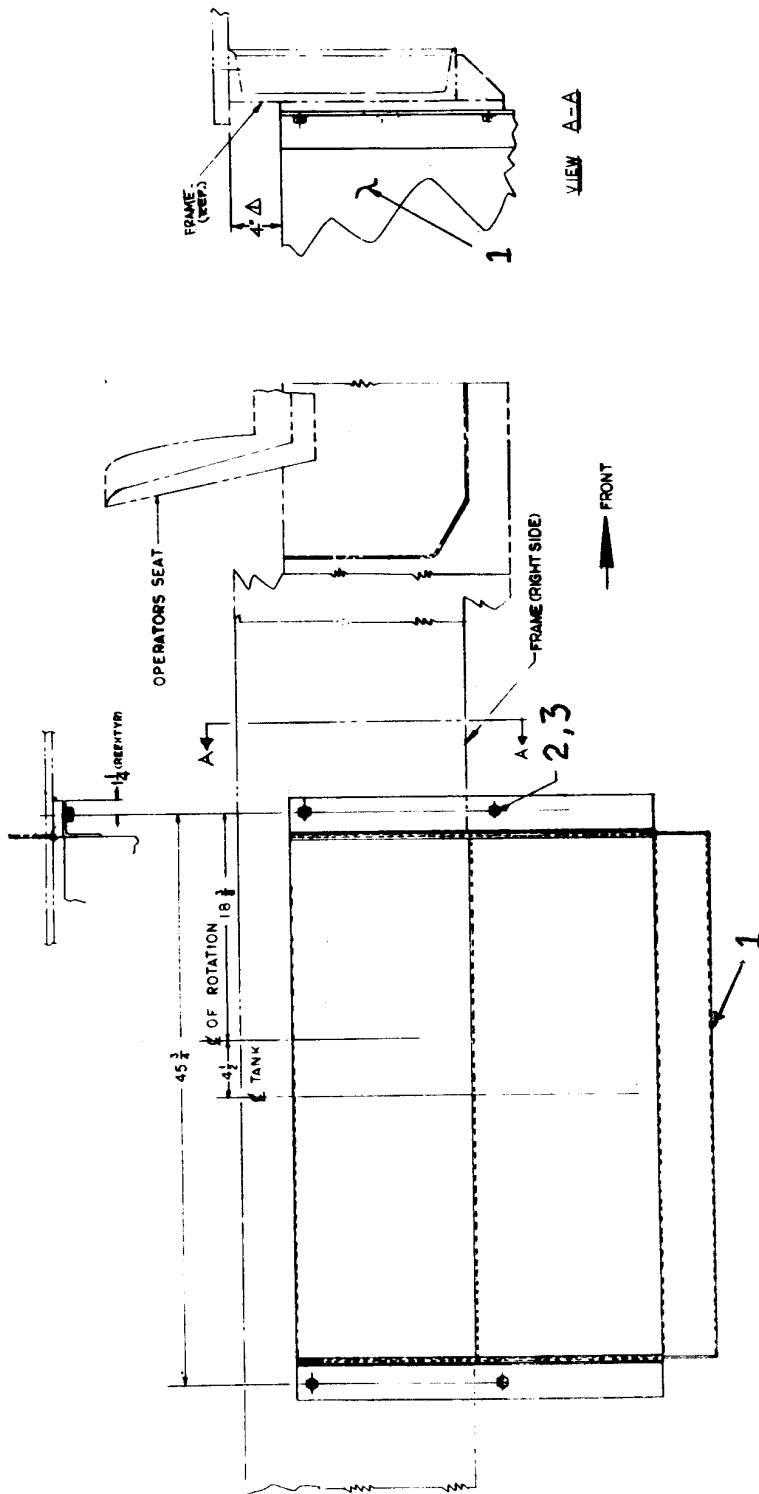
# Manitowoc Crane Group

Description  
**HYDRAULIC LINES INSTALLATION - OUTRIGGER**

Assembly No.  
**2160600010**  
 Revision: **C**

Item	FN	Part	Qty	Description
1		7445100811	2	ADAPTER INCLUDES THE FOLLOWING PARTS
		7755910002	1	O-RING
2		7445080813	2	ADAPTER, 90 DEGREE SWIVEL
3		7445080808	2	ADAPTER, SWIVEL
4		7445080611	4	SWIVEL ADAPTER, UNION - 90 45 DEGREE ELBOW 7755908002 O-RING .644" I.D.
5		7445060609	8	ELBOW, 45 DEGREE
6		7545207220	2	HOSE ASSY 3/8" I.D. X 72"
7		7445080809	2	ADAPTER, SWIVEL
8		7444040016	2	PLUG, PIPE 1/2"
9		7445060605	12	ADAPTER, 90 DEGREE SWIVEL
10		7545314420	2	HOSE ASSY, 1/2" X 144"
11		7545307220	2	HOSE ASSY 1/2" I.D. X 72" LONG
12		7545301820	1	HOSE ASSY 1/2" I.D. X 18"
13		7545302420	1	HOSE ASSY, 1/2" X 24"
14		7545219220	4	HOSE ASSEMBLY 3/8"
15		7545218020	4	HOSE ASSEMBLY 3/8"
16		7545206020	2	HOSE ASSY 3/8" I.D. X 60"
17		7545204820	4	HOSE ASSY 3/8" I.D. X 48" LONG
18		7445060604	4	ADAPTER, SWIVEL
19		7445080606	4	ADAPTER, SWIVEL INCLUDES THE FOLLOWING PARTS
		7755908000	1	O-RING

# Manitowoc Crane Group



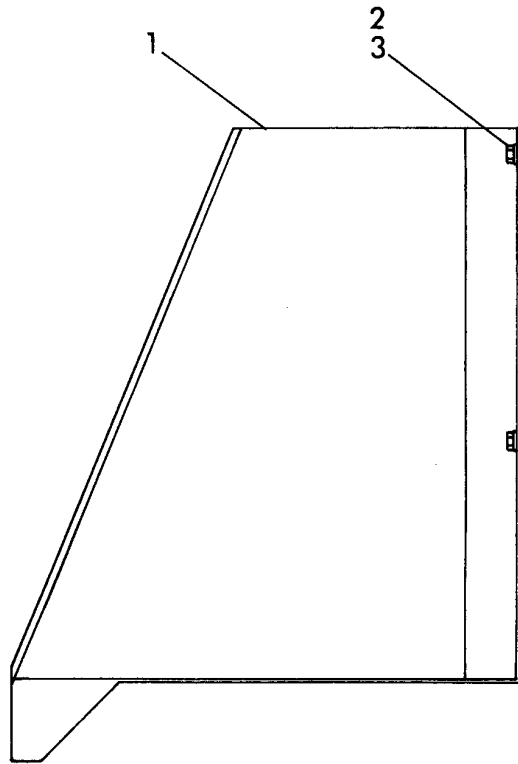
# Manitowoc Crane Group

Description  
HYDRAULIC RESERVOIR INSTAL

Assembly No.  
**2160800014**  
Revision: #

Item	FN	Part	Qty	Description
1		2158800005	1	HYDRAULIC RESERVOIR ASSEMBLY INCLUDES THE FOLLOWING PARTS
		7304000004	1	FILLER AND BREATHER
		6486000205	1	DIPSTICK ASSEMBLY
2		7115180850	4	CAP SCREW, 1/2" - 13 N.C. X 1" GRADE 5
3		7950180050	4	LOCK WASHER, 1/2" I.D.

# Manitowoc Crane Group



# Manitowoc Crane Group

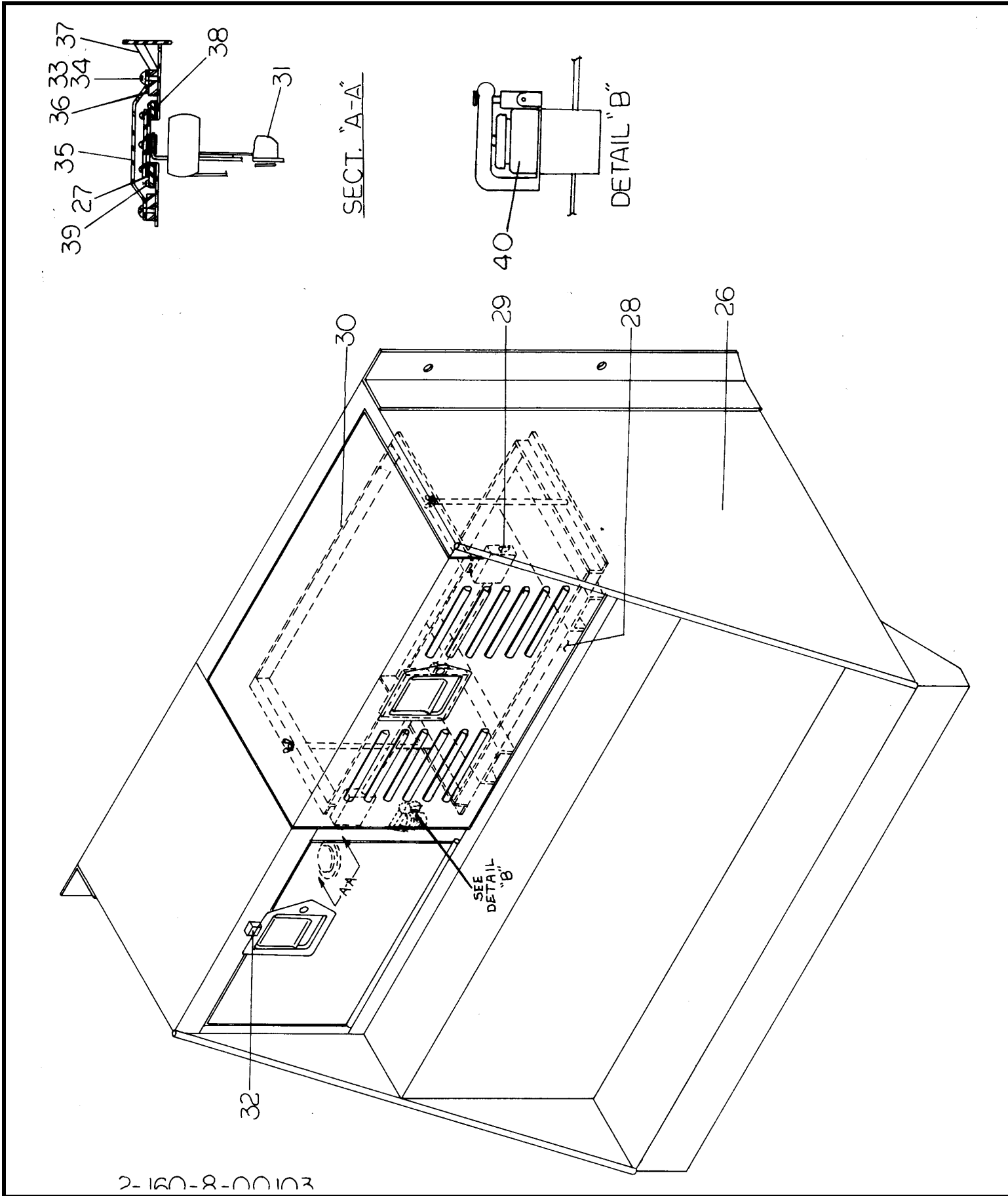
Description  
**FUEL TANK & TOOL BOX INSTAL**

Assembly No.  
**2160800118**  
Revision: #

Item	FN	Part	Qty	Description
1	+	2160800103	1	TANK AND TOOL BOX ASSEMBLY - FUEL
2		7115180850	4	CAP SCREW, 1/2" - 13 N.C. X 1" GRADE 5
3		7950180050	4	LOCK WASHER, 1/2" I.D.

+ SEE FURTHER BREAKDOWN THIS GROUP

# Manitowoc Crane Group



2160800103

(SHEET 1 OF 1)

36XXXe 400



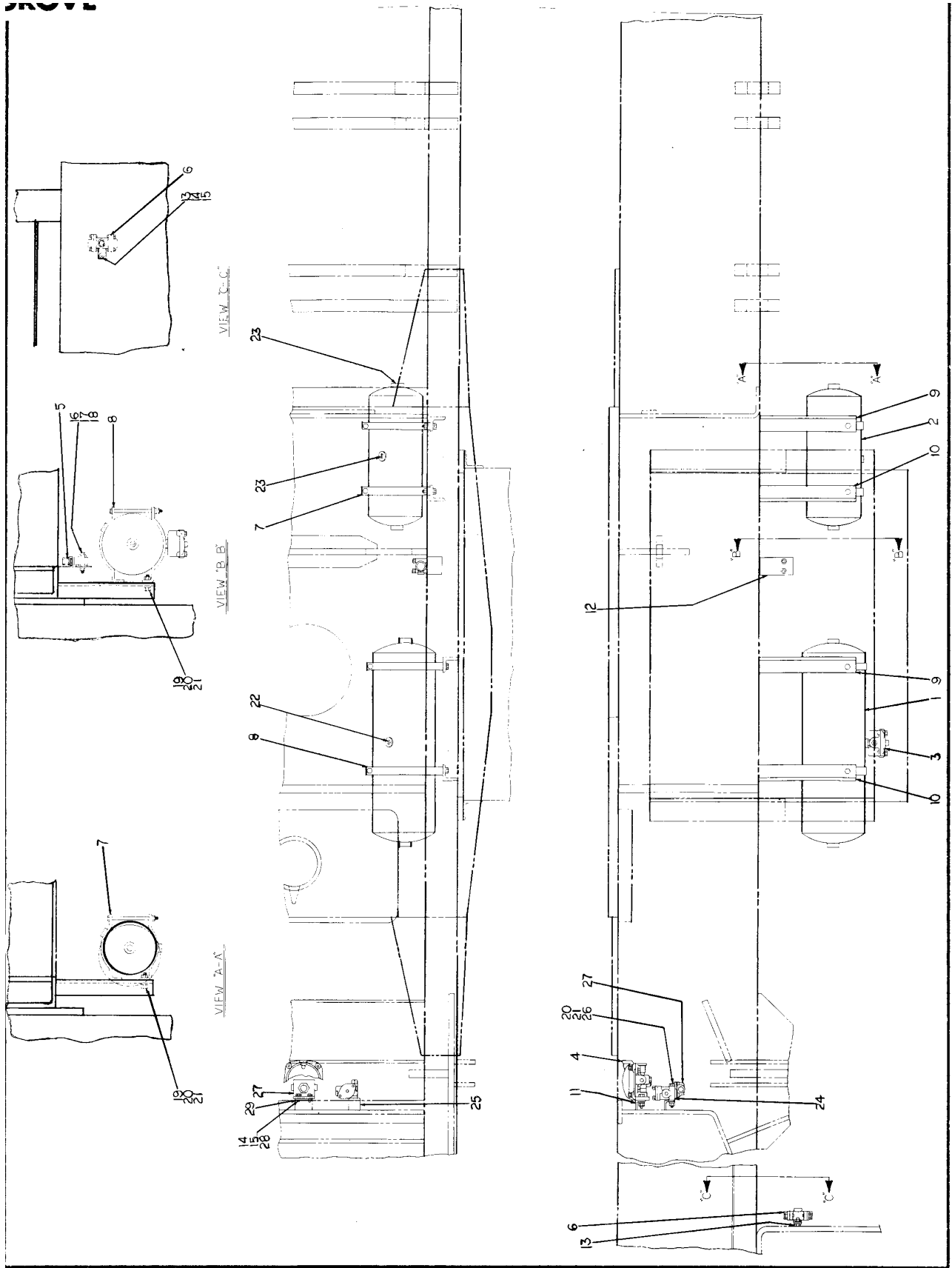
# Manitowoc Crane Group

Description  
**TANK AND TOOL BOX ASSEMBLY - FUEL**

Assembly No.  
**2160800103**  
Revision:

Item	FN	Part	Qty	Description
26		2160800117	1	BOX, TOOL
27		7576000010	1	TANK UNIT INSTALLATION
28		2160800105	1	DOOR ASSY, BATTERY BOX
28		2160800208	1	DOOR ASSY, BATTERY BOX
28		2160800206	1	DOOR ASSY, BATTERY BOX ( USE WITH CUMMINS V-504 ENGINE ONLY)
28		2160800233	1	DOOR ASSY, BATTERY BOX ( USE WITH CUMMINS V-504 ENGINE ONLY)
29		6570080600	2	KEY
30		2160800121	1	BOX, BATTERY
31		7872000014	1	SENDER, FUEL LEVEL
32		6570200800	1	KEY STOCK
33		7111100310	4	SCREW, MACHINE 3/16" - 24 N.C. X 3/8" GRADE 1
34		7950100050	4	LOCK WASHER, 3/16" I.D.
35		6258000048	1	CAP, DUST
36		4148300004	1	PLATE, SPACER
37		6697000034	1	PIPE
38		6794000248	1	GASKET
39		7790100853	4	SCREW, SELF-TAPPING 3/16" - 24 N.C. X 1/2"
40		7258000049	1	CAP, FUEL-FILLER

# Manitowoc Crane Group



2160800219

(SHEET 1 OF 1)

36XXXe 402

# Manitowoc Crane Group

Description  
**AIR TANKS AND VALVES INSTALLATION**

Assembly No.  
**2160800219**  
 Revision: **B**

Item	FN	Part	Qty	Description
1		7880000011	1	TANK, AIR
2	#	7880000013	1	RESERVOIR, AIR
3	#	7926000209	1	VALVE, DRAIN
4	+	7926000323	1	VALVE ASSEMBLY - RELAY
5	#	7926000487	1	VALVE, PRESSURE PROTECTION
6	#	7926001228	1	VALVE, DOUBLE CHECK
7		7184000188	2	BRACKET, RESERVOIR
8		7184000106	2	BRACKET, RESERVOIR
9		4160800198	2	ANGLE
10		4160800199	2	ANGLE
11		6030000383	1	ANGLE, MOUNTING
12		4160800210	1	BRACKET, MOUNTING
13		7112150650	1	CAP SCREW, 5/16" - 18 N.C. X 3/4"
14		7950150050	5	LOCKWASHER, 5/16" I.D.
15		7660150000	5	NUT, HEX 5/16" - 18 N.C.
16		7112142050	2	CAP SCREW, 1/4" - 20 N.C. X 2 1/2"
17		7950140050	2	LOCKWASHER, 1/4" I.D.
18		7660140000	2	NUT, HEX 1/4" - 20 N.C.
19		7112161050	6	REPLACED BY 7115161050 3/8"-16 NC X 1 1/4"-GRD 2
20		7950160050	7	LOCKWASHER, 3/8" I.D.
21		7660160000	7	NUT, HEX 3/8" - 16 N.C.
22		7444020031	1	PLUG, PIPE 1/4" NPT
23		7444040031	2	PLUG, PIPE 1/2" N.P.T.
24	+	7926000216	1	VALVE ASSEMBLY - CHECK
25		6030000279	1	ANGLE, MOUNTING
26		7112162450	1	USE 7115162450 CAP SCREW 3/8" - 16 N.C. X 3"
27	#	7926000205	2	VALVE ASSEMBLY - QUICK RELEASE

# SERVICED AS AN ASSEMBLY ONLY

+ SEE FURTHER BREAKDOWN THIS GROUP

# Manitowoc Crane Group

Description  
**AIR TANKS AND VALVES INSTALLATION**

Assembly No.  
**2160800219**  
 Revision: **B**

Item	FN	Part	Qty	Description
28	+=	7112150850	4	USE 7115150850 5/16" - 18 N.C. X 1"
29		6030000303	2	ANGLE, MOUNTING

+ SEE FURTHER BREAKDOWN THIS GROUP

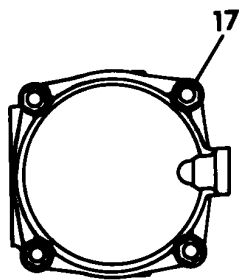
= REFER TO MCI FOR APPLICABLE NUMBER

# ***Manitowoc Crane Group***

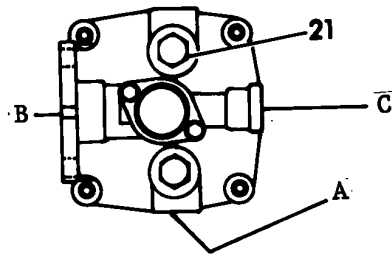
Notes

---

# Manitowoc Crane Group

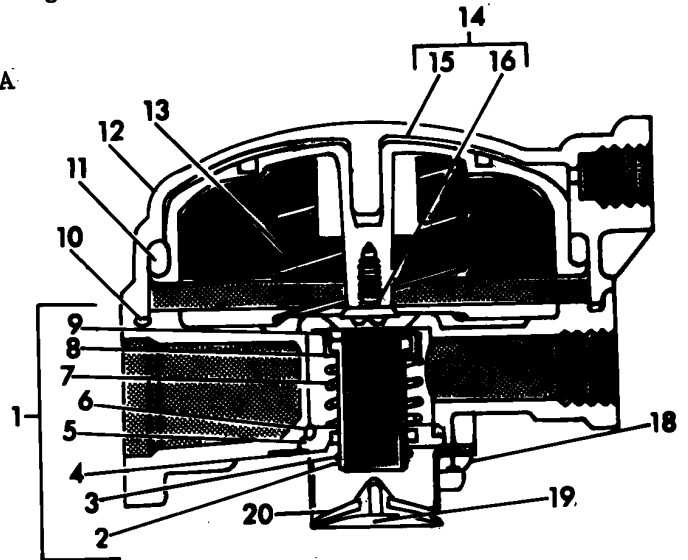


TOP VIEW



BOTTOM VIEW

- A - P.T. DELIVERY
- B - P.T. SUPPLY
- C - P.T. SUPPLY



# Manitowoc Crane Group

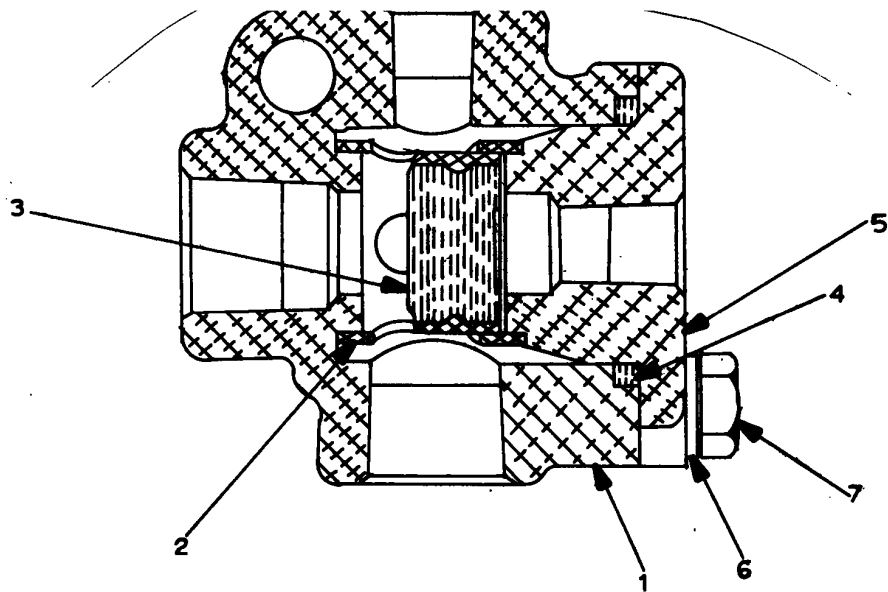
Description  
**VALVE ASSEMBLY - RELAY**

Assembly No.  
**7926000323**  
 Revision:

Item	FN	Part	Qty	Description
1		9926101286	1	VALVE ASSY - INLET AND EXHAUST INCLUDES NBR 2-9
2	*	9926101287	1	VALVE BODY
3	*	9926101288	1	RING, SNAP
4	*	9926101289	1	O-RING
5		9926101290	1	GUIDE
6	*	9926101291	1	O-RING
7	*	9926101292	1	SPRING
8	*	9926101293	1	RETAINER
9		9926101294	1	VALVE
10	*	9926101295	1	O-RING, COVER
11	*	9926101296	1	O-RING, PISTON
12		9926101297	1	COVER
13		9926101298	1	SPRING
14		9926101299	1	RELAY PISTON INCLUDES NBR 15 & 16
15		9926101300	1	PISTON
16	*	9926101301	1	SEAT
17		9926101302	4	SCREW, ROLLING
18		9926101303	2	SCREW
19	*	9926101304	1	CHECK, EXHAUST
20		9926101305	1	COVER
21		9926101306	2	PLUG
22	*	9752100140	1	KIT, REPAIR

\* REPAIR KIT AND/OR PART OF KIT

# Manitowoc Crane Group



7926000216

(SHEET 1 OF 1)

36XXXe 408



# Manitowoc Crane Group

Description

VALVE ASSEMBLY - CHECK

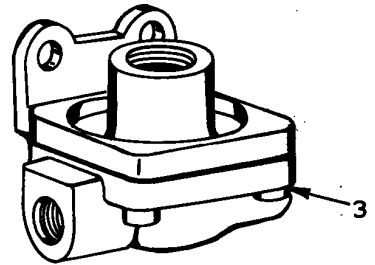
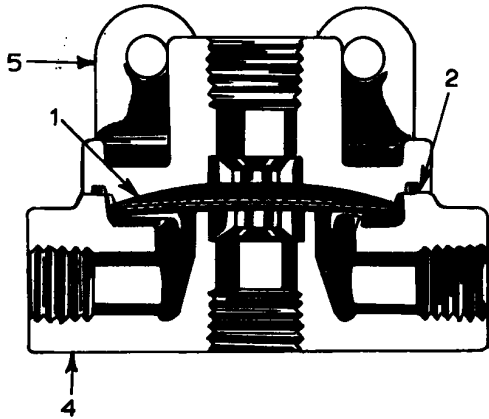
Assembly No.

7926000216

Revision:

Item	FN	Part	Qty	Description
1		9926101467	1	BODY
2		9926101468	1	VALVE
3		9926101469	1	VALVE
4		9926101470	1	GROMMET
5		9926101471	1	COVER
6		9926101472	2	LOCKWASHER
7		9926101473	2	SCREW

# Manitowoc Crane Group



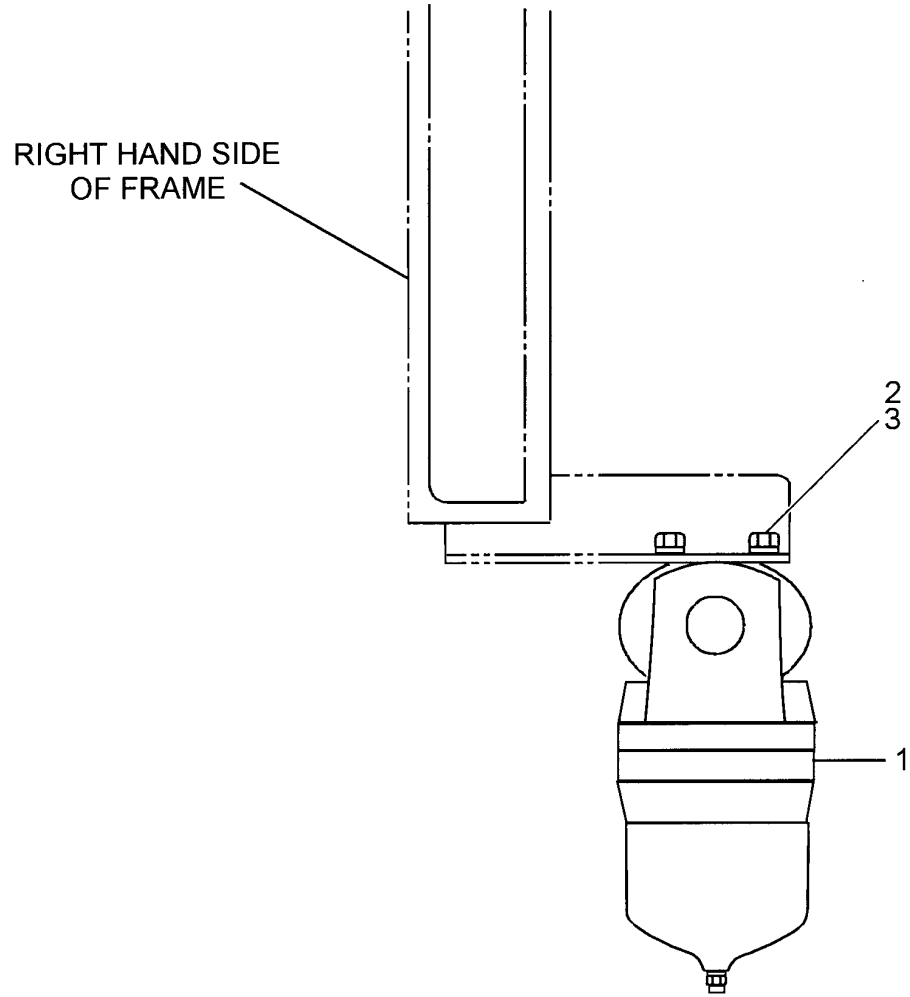
# Manitowoc Crane Group

Description  
VALVE ASSEMBLY - QUICK RELEASE

Assembly No.  
7926000205  
Revision:

Item	FN	Part	Qty	Description
1		9926101402	1	DIAPHRAGM
2		9926101403	1	RING, SEALING
3		9926101404	4	SCREW, MACHINE
4		9926101405	1	BODY
5		9926101405	1	BODY

# Manitowoc Crane Group



# Manitowoc Crane Group

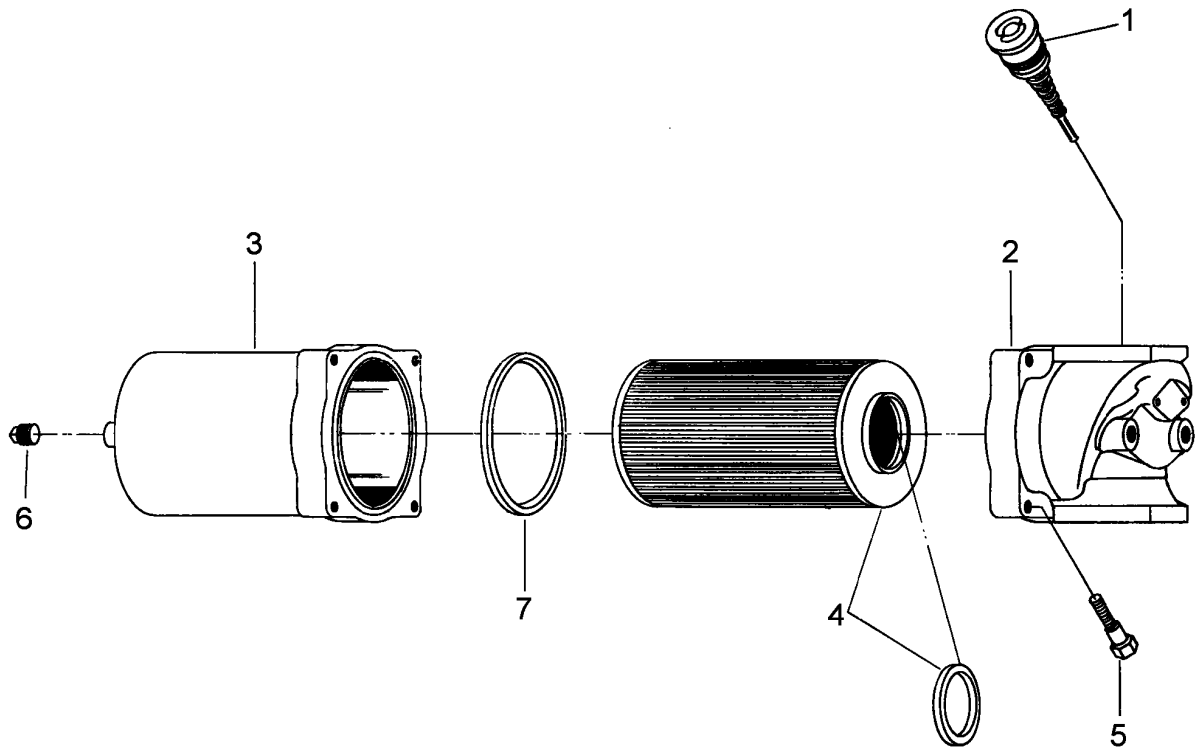
Description  
**HYD OIL FILTER INSTL**

Assembly No.  
**2160800161**  
 Revision: **C**

Item	FN	Part	Qty	Description
1	+	7437000017	1	FILTER ASSEMBLY - OIL
2		7115180850	2	CAP SCREW, 1/2" - 13 N.C. X 1" GRADE 5
3		7950180050	2	LOCK WASHER, 1/2" I.D.

+ SEE FURTHER BREAKDOWN THIS GROUP

# Manitowoc Crane Group



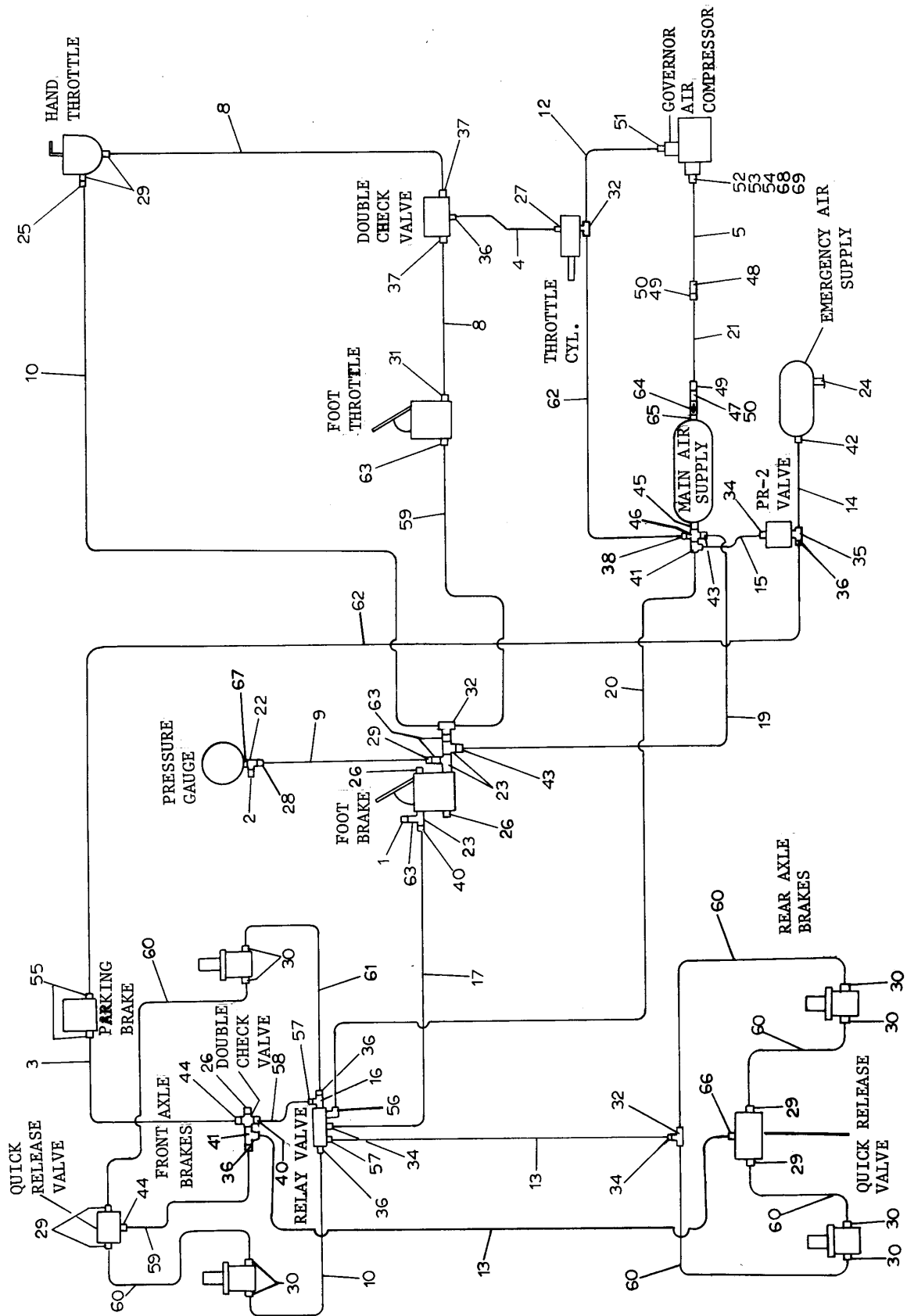
# Manitowoc Crane Group

Description  
**FILTER ASSEMBLY - OIL**

Assembly No.  
**7437000017**  
Revision:

Item	FN	Part	Qty	Description
1		9437100064	1	VALVE
2		9437100065	1	HEAD
3		9437100066	1	HOUSING
4		9437100071	1	ELEMENT, FILTER
5		9437100068	4	BOLTS, HEAD
6		9437100069	1	PLUG, DRAIN
7		9437100070	1	SEAL, HOUSING

# Manitowoc Crane Group



-160-6-00177

2160600177

(SHEET 1 OF 1)

36XXXe 416



# Manitowoc Crane Group

Description  
**THROTTLE LINES - AIR BRAKE AND**

Assembly No.  
**2160600177**  
 Revision:

Item	FN	Part	Qty	Description
1	#	7872000059	1	SWITCH, PRESSURE
2	#	7486000266	1	INDICATOR, LOW PRESSURE
3		7542009603	1	HOSE ASSY 3/16" I.D. X 96"
4		7542019202	1	HOSE ASSY 3/16" X 192"
5		7543000303	1	HOSE ASSY
8		7542003603	2	HOSE ASSY 3/16" I.D. X 36"
9		7542004003	1	HOSE ASSY 3/16" I.D. X 40"
10		7542005203	2	HOSE ASSY 3/16" I.D. X 52"
12	%	7542004002	1	HOSE ASSY 3/16" X 40"
13		7542114405	2	HOSE ASSY 5/6" X 12'
14		7542101205	1	HOSE ASSY 5/16" I.D. X 12"
15		7542104605	1	HOSE ASSY 5/16" X 48"
16		7888000008	1	TEE, SERVICE
17		7542112005	1	HOSE ASSY
19		7542308406	1	HOSE ASSY 1/2" I.D. X 84" LONG
20		7542104605	1	HOSE ASSY 5/16" X 48"
21		6911104801	1	TUBING USE 8591962504 5'
22		7888000056	1	TEE, SERVICE
23		7888000031	3	TEE, SERVICE
24	#	7926000273	1	COCK, DRAIN
25		7444020270	1	ELBOW, STREET
26		7444040031	3	PLUG, PIPE 1/2" N.P.T.
27		7445020204	1	ADAPTER, 90 DEGREE SWIVEL
28		7445040401	1	ADAPTER, STRAIGHT SWIVEL
29		7445040401	7	ADAPTER, STRAIGHT SWIVEL

# SERVICED AS AN ASSEMBLY ONLY

% SEE NOTE AT END OF LIST

# Manitowoc Crane Group

Description

**THROTTLE LINES - AIR BRAKE AND**

Assembly No.

**2160600177**

Revision:

Item	FN	Part	Qty	Description
30		7445040404	8	ADAPTER, 90 DEGREE SWIVEL
31		7445040409	1	ADAPTER, 45 DEGREE SWIVEL
32		7445040412	3	ADAPTER, SWIVEL
34		7445040601	3	ADAPTER, STRAIGHT SWIVEL
35		7445040612	1	TEE, SWIVEL ADAPTER
36		7445060401	5	ADAPTER, STRAIGHT SWIVEL
37		7445060404	2	ADAPTER, SWIVEL
38		7445080401	1	ADAPTER, STRAIGHT SWIVEL
40		7445080601	2	ADAPTER, STRAIGHT SWIVEL
41		7445080612	2	ADAPTER
42		7445080609	1	ADAPTER, SWIVEL
43		7445080801	1	ADAPTER, STRAIGHT
44		7445080404	2	SWIVEL ADAPTER UNION
45		7445080849	1	NIPPLE
46		7445080856	1	CROSS
47		7445100819	1	ADAPTER, STRAIGHT
48		7445101031	1	ELBOW
49		7445101041	2	SLEEVE, TUBE
50		7445101042	2	NUT
51	%	7445020204	1	ADAPTER, 90 DEGREE SWIVEL
52	%	7794000241	1	GASKET
53	%	7450000049	1	FITTING, DISCHARGE
54	%	7445080805	1	ELBOW, 90 DEGREE
55		7445020404	2	ADAPTER, 90 DEGREE SWIVEL
56		7445060604	1	ADAPTER, SWIVEL
57		7445060601	2	ADAPTER, SWIVEL
58		7542102405	1	HOSE ASSY 5/16" I.D. X 24"
59		7542001203	2	HOSE ASSY 3/16" I.D. X 12"
60		7542004603	6	HOSE ASSY 3/16" I.D. X 46"
61		7542006003	1	HOSE ASSY 3/16" I.D. X 60"
62		7542014403	2	HOSE ASSY 3/16" X 144"

% SEE NOTE AT END OF LIST

# Manitowoc Crane Group

Description  
**THROTTLE LINES - AIR BRAKE AND**

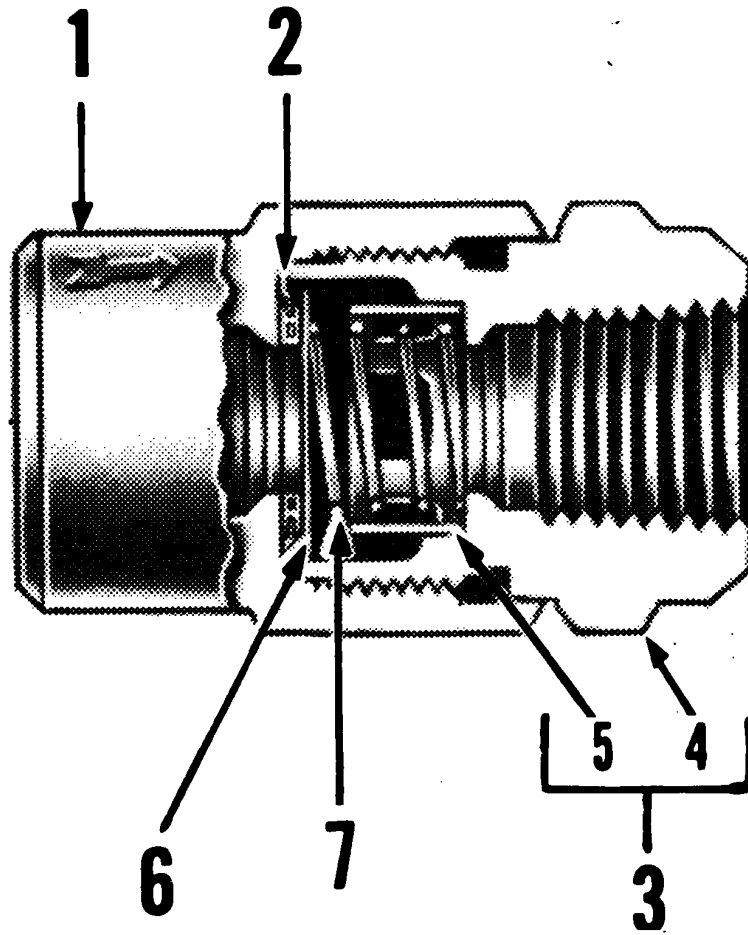
Assembly No.  
**2160600177**  
 Revision:

Item	FN	Part	Qty	Description
63		7444040256	4	BUSHING, REDUCER
64	+	7926000207	1	VALVE ASSEMBLY - CHECK
65		7445080849	1	NIPPLE
66		7445080604	1	ADAPTER, SWIVEL
67		7445040250	1	BUSHING, REDUCER
68	%	7115150750	2	CAP SCREW, 5/16" -18 N.C. X 7/8" GRADE 5
69	%	7950150050	2	LOCKWASHER, 5/16" I.D.

+ SEE FURTHER BREAKDOWN THIS GROUP

% SEE NOTE AT END OF LIST

# Manitowoc Crane Group



# Manitowoc Crane Group

Description

**VALVE ASSEMBLY - CHECK**

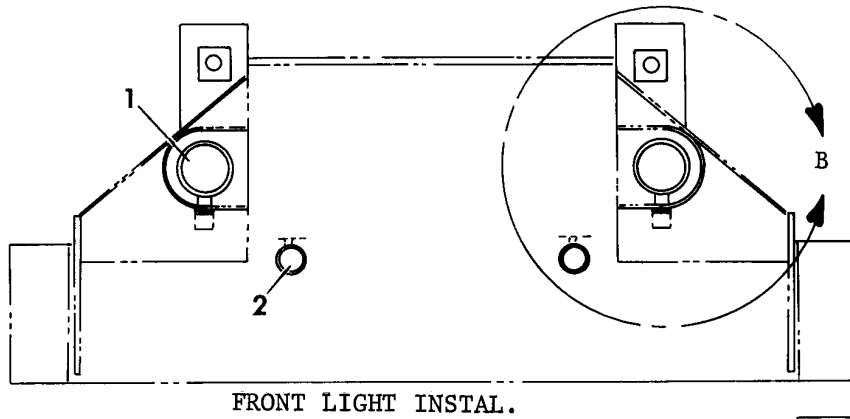
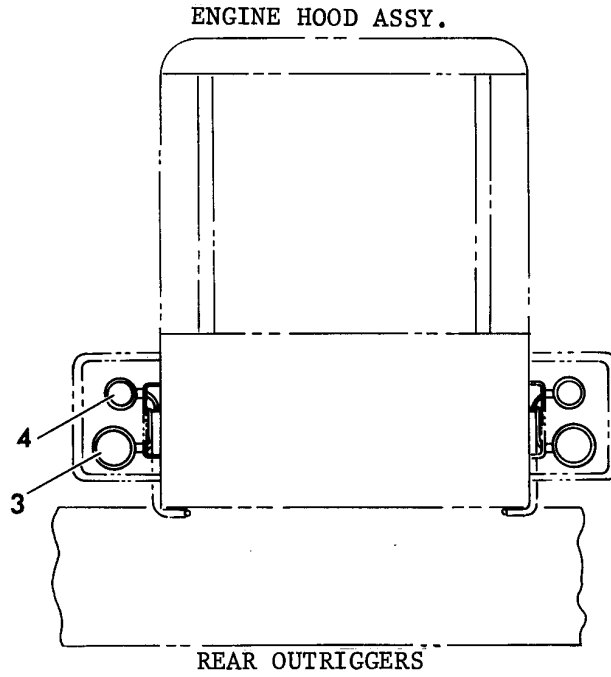
Assembly No.

**7926000207**

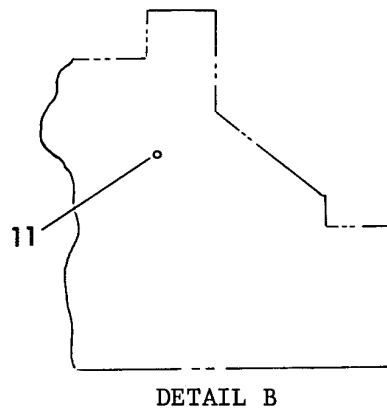
Revision:

Item	FN	Part	Qty	Description
1		9926101460	1	BODY
2		9926101461	1	SEAT, VALVE
3		9926101462	1	SCREW CAP
4		9926101463	1	CAP SCREW,
5		9926101464	1	BUSHING, VALVE STOP
6		9926101465	1	VALVE, DISC
7		9926101466	1	SPRING

# Manitowoc Crane Group



ITEMS 5, 6 & 15 NOT SHOWN



# Manitowoc Crane Group

Description  
**LIGHTS INSTALLATION - EXTERIOR**

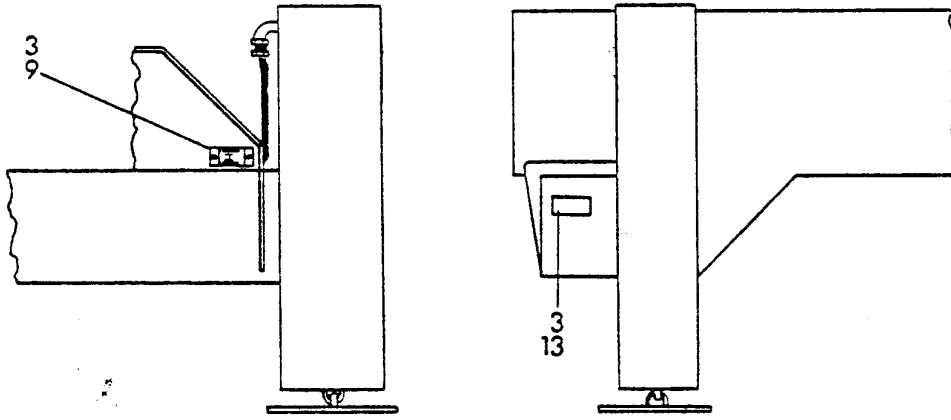
Assembly No.  
**2160100071**  
Revision:

Item	FN	Part	Qty	Description
1		7581000010	2	LIGHT, FOG/DRIVE INCLUDES THE FOLLOWING PARTS
		9581100038	1	BEAM, SEALED
2		7581000011	2	LIGHT, AMBER INCLUDES THE FOLLOWING PARTS
		9581100033	1	BULB
		9581100055	1	LENS,AMBER
3		7581000013	2	LIGHT, BACK-UP INCLUDES THE FOLLOWING PARTS
		9581100030	1	BEAM, SEALED
4		7581000012	2	LIGHT, RED TURNSIGNAL INCLUDES THE FOLLOWING PARTS
		9581100035	1	BULB
		9581100056	1	LENS,RED
5		6576000363	1	KIT, TURNSIGNAL
6	+	2160100016	1	CLEARANCE LIGHTS & REFLECTOR INSTALLATION (NOT AVAILABLE AS ASSEMBLY)
11		7506000004	2	GROMMET .19" I.D.
15	#	7872000049	1	FLASHER, TUNG-SOL

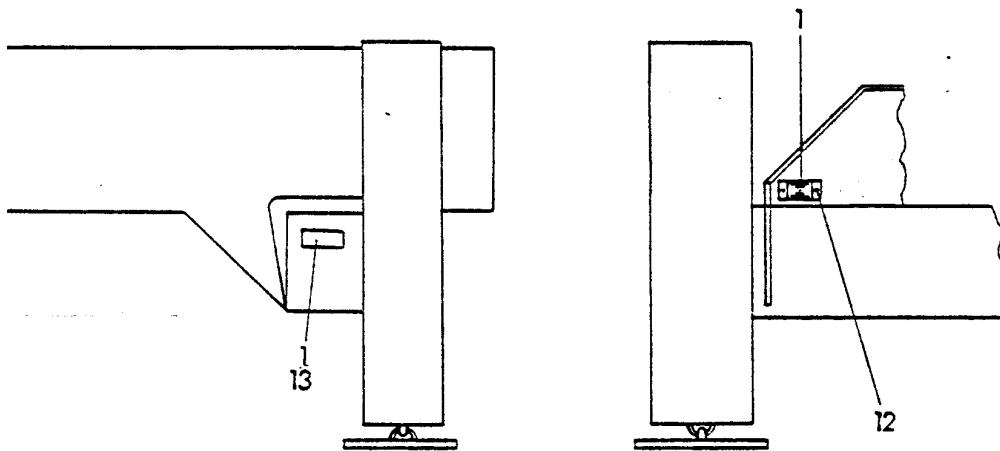
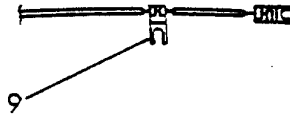
+ SEE FURTHER BREAKDOWN THIS GROUP

# SERVICED AS AN ASSEMBLY ONLY

# Manitowoc Crane Group



FRONT STABILIZER



REAR STABILIZER



# Manitowoc Crane Group

Description

**CLEARANCE LIGHTS & REFLECTOR INSTALLATION  
(NOT AVAILABLE AS ASSEMBLY)**

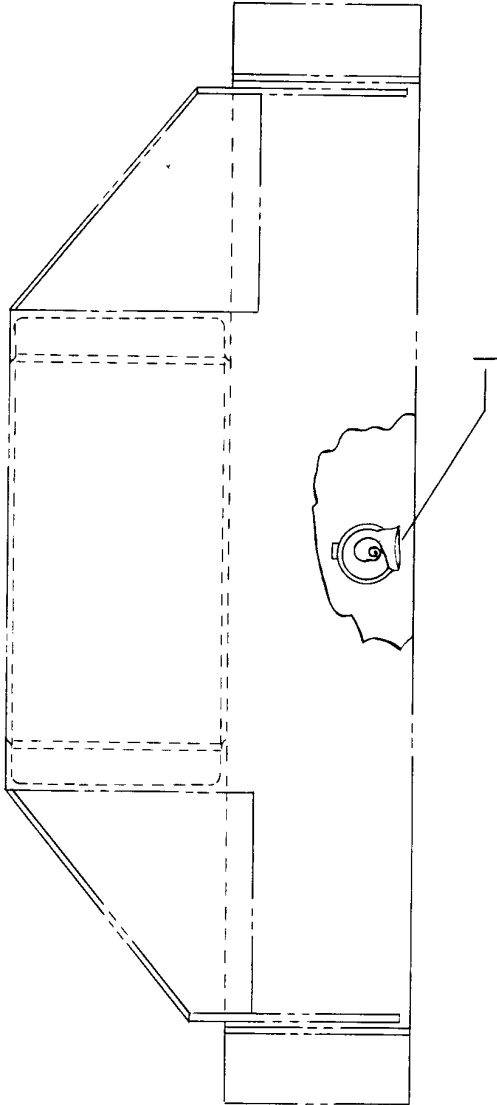
Assembly No.

**2160100016**

Revision: **K**

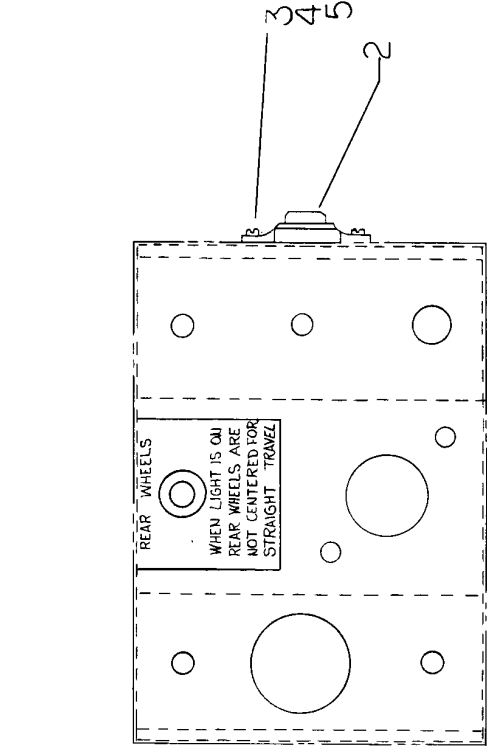
Item	FN	Part	Qty	Description
1		6581000177	4	LIGHT, RED INCLUDES THE FOLLOWING PARTS
		9581100036	2	BULB
		9581100071	1	LENS, RED
3		6581000178	4	LIGHT, AMBER INCLUDES THE FOLLOWING PARTS
		9581100036	2	BULB
		9581100070	1	LENS, AMBER
9		7345001509	4	SLIP-ON, FEMALE
12		7790101271	16	SCREW, SELF-TAPPING 3/16" - 24 N.C. X 3/4"
13		7791101060	16	SCREW, PAN HEAD SELF-DRILL 3/16" - 24 N.C. X 5/8"

# Manitowoc Crane Group



FRONT OUTRIGGER BOX

SCALE 1:8



CIRCUIT BREAKER

HORN SWITCH

HORN

CIRCUIT			
WIRE NO.	COLOR	WIRE GA.	
1	BLUE	1/4	
2	YELLOW	1/4	

WIRING DIAGRAM

# Manitowoc Crane Group

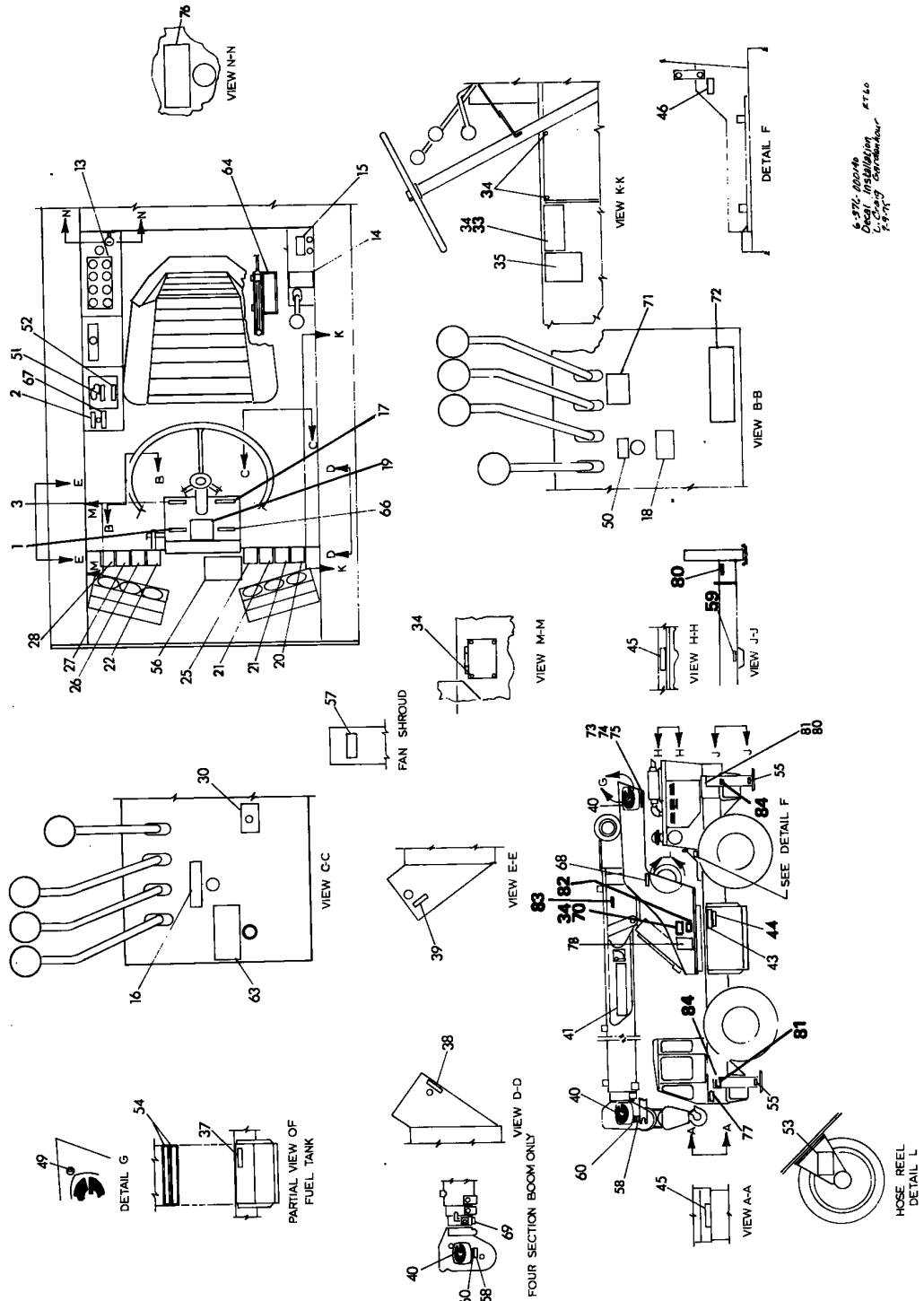
Description  
**HORN INSTALLATION**

Assembly No.  
**2160400001**  
 Revision: **A**

Item	FN	Part	Qty	Description
1	#	7025000005	1	HORN, LO-TONE
2		7872000031	1	BUTTON, HORN
3		7111080410	2	SCREW, MACHINE 5/32" - 32 N.C. X 1/2" GRADE 1
4		7660081100	2	NUT, HEX 5/32" - 24 N.F. GRADE 1
5		7950080050	2	LOCKWASHER, 5/32" I.D.

# SERVICED AS AN ASSEMBLY ONLY

# Manitowoc Crane Group



6-572 20004  
 Cranes, including  
 2-9-87  
 2-9-87

# Manitowoc Crane Group

Description  
DECAL INSTALL - RT59/60/620

Assembly No.  
**6376000140**  
Revision:

Item	FN	Part	Qty	Description
1		7376000024	1	DECAL - WIPER
2		7376000122	1	DECAL - CAB LIGHT
3	*	7376000088	1	DECAL - STARTER
13	*	7376000063	1	DECAL - OUTRIGGER CONTROLS
14	*	7376000517	1	DECAL, AXLE SHIFT
15	*	7376000116	1	DECAL - AXLE LOCKOUT
16	*	7376000091	1	DECAL - WARNING LIGHT
17		7376000038	1	DECAL - CHOKE
18		7376000723	1	DECAL - ENGINE STOP
19		7376000034	1	DECAL - REAR WHEELS
20	*	7376000030	1	DECAL - SWING
21	*	7376000025	2	DECAL - TELESCOPE
22	*	7376000090	1	DECAL - REAR STEER
25	*	7376000026	1	DECAL - OUTRIGGER
26	*	7376000031	1	DECAL - BOOM
27	*	7376000168	1	DECAL - MAIN HOIST
28		7376000171	1	DECAL - HOIST/WINCH
30		7376000724	1	DECAL-EMERGENCY STOP
33		7705001742	1	NAMEPLATE
34		7760000011	30	RIVET, POP
35		7376000291	1	DECAL - PATENT
37	@	7376000011	1	DECAL - HYDRAULIC OIL
38		7376000068	1	DECAL - HEATER
39	*	7376000084	1	DECAL - HORN
40	@	7376000015	4	DECAL - GROVE
41	@	7376000138	2	DECAL - GROVE
43		7376000017	1	DECAL - GAS
44	@	7376000010	1	DECAL - FUEL
45	@	7376000137	2	DECAL - GROVE LOGO (ALUMINUM LETTERS WITH BLACK BACKGROUND)
46	@	7376000127	1	DECAL - PUMP DISCONNECT
49	@	7376000133	4	DECAL - REGISTRATION MARK
50		7376000203	1	DECAL - TWO BLOCK
51	*	7376000142	1	DECAL - SHIFT CONTROL

\* REPAIR KIT AND/OR PART OF KIT

@ SECOND REPAIR KIT AND/OR PART OF 2ND KIT

# Manitowoc Crane Group

Description  
**DECAL INSTALL - RT59/60/620**

Assembly No.  
**6376000140**  
 Revision:

Item	FN	Part	Qty	Description
52	*	7376000143	1	DECAL - SHIFT CONTROL
53	@	7376000186	1	DECAL - WARNING
54	@	7884000002	1	TAPE, PRESS SENSITIVE
55	@	7376000277	4	DECAL - WARNING
56	*	7376000278	1	DECAL - DANGER
57	@	7376000279	2	DECAL - CAUTION FAN
58	@	7376000280	2	DECAL - CAUTION
59	@	7376000281	2	DECAL - CAUTION
60		7376000282	2	DECAL - CAUTION
63		7376000304	1	DECAL - QUICK START
64		7376000353	1	DECAL - POSITIVE SWING LOCK
66	*	7376000347	1	DECAL - LIGHTS
67	*	7376000366	1	DECAL - DASH LAMP
68	@	7376000375	2	DECAL - CAUTION ROTATING MACHINERY
69		7376000376	2	DECAL - WARNING LOCK PIN
70	@	7705006060	2	NAMEPLATE, WARNING ELECTROCUTION HAZARD
71		7376000114	1	DECAL - FREE FALL HOIST
72		7376000113	1	DECAL - WARNING
73		7376000551	2	DECAL - RT59
74		7376000552	2	DECAL - RT60
75		7376000553	2	DECAL - RT620
76		7376000574	1	DECAL - SELECTOR VALVE
77	@	7376000623	1	DECAL - TIRE INFLATION CHART
78	@	7376000625	2	DECAL - HAND SIGNALS
80	@	7376000642	12	DECAL - NO STEP
81	@	7376000639	4	DECAL - CAUTION
82		7705007426	2	NAMEPLATE, ELECTRICAL EQUIPMENT
83	@	7376000755	2	DECAL - BOOM NOT A WALKWAY
84	@	7376000757	4	DECAL - LIFT CYLINDER
85	@	9376100116	1	DECAL KIT - EXTERIOR

\* REPAIR KIT AND/OR PART OF KIT

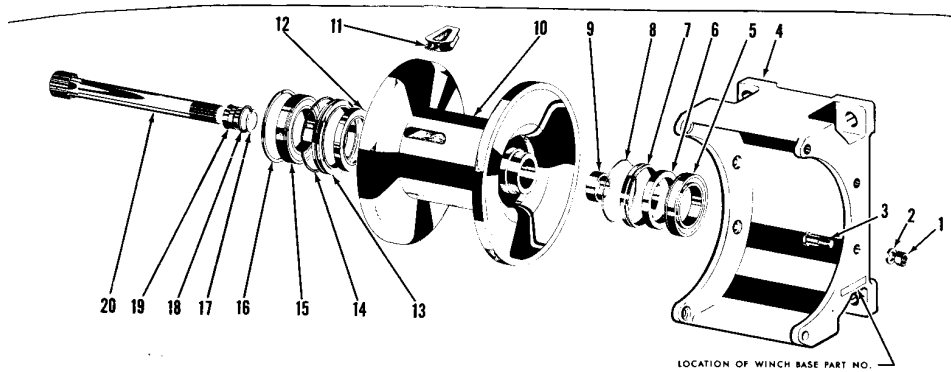
@ SECOND REPAIR KIT AND/OR PART OF 2ND KIT

# ***Manitowoc Crane Group***

Notes

---

# Manitowoc Crane Group





# Manitowoc Crane Group

Description

**HOIST ASSEMBLY - MODEL 11**

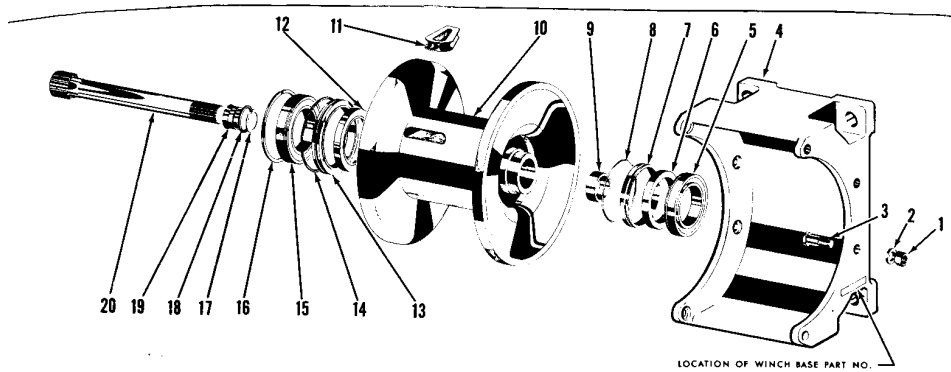
Assembly No.

**7974000049**

Revision:

Item	FN	Part	Qty	Description
1		<b>7974000049</b>	1	HOIST ASSEMBLY - MODEL 11
2		<b>7974000049</b>	1	HOIST ASSEMBLY - MODEL 11
3		<b>7974000049</b>	1	HOIST ASSEMBLY - MODEL 11
4		<b>7974000049</b>	1	HOIST ASSEMBLY - MODEL 11
5		<b>7974000049</b>	1	HOIST ASSEMBLY - MODEL 11
6		<b>7974000049</b>	1	HOIST ASSEMBLY - MODEL 11

# Manitowoc Crane Group



# Manitowoc Crane Group

Description

**HOIST ASSEMBLY - MODEL 11**

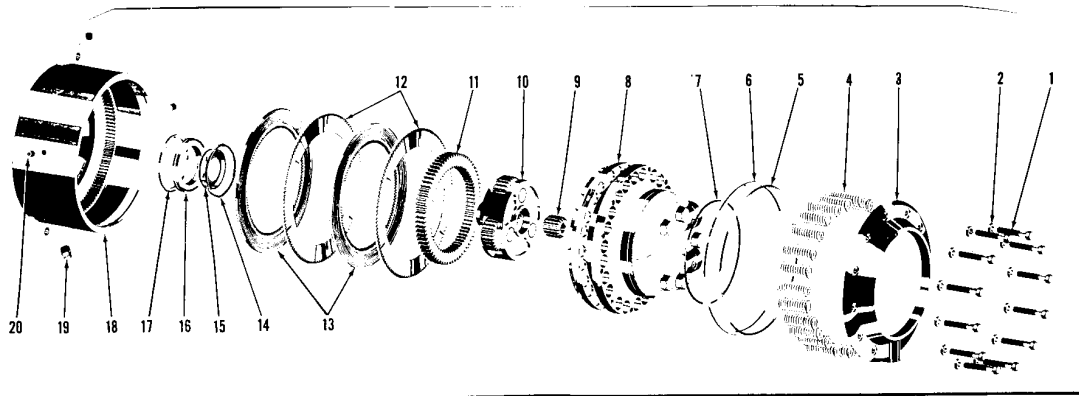
Assembly No.

**7974000049**

Revision:

Item	FN	Part	Qty	Description
1		9974100001	8	NUT, HEX 5/8" -18 N.F.
2		9974100002	8	WASHER, 5/8" I.D.
3		9974100003	8	CAP SCREW,
4		9974100790	1	BASE, WINCH
5		9974100006	1	BEARING
6		9974100007	1	SEAL, OIL
7		9974100008	1	SEAL, RING
8		9974100009	1	O-RING
9		9974100010	1	BUSHING, DRUM
10		9974100209	1	DRUM
11		9974100014	1	HONDU
12		9974100015	1	SEAL, OIL
13		9974100016	1	SEAL, RING
14		9974100017	1	O-RING
15		9974100018	1	BEARING, BALL
16		9974100019	1	RING, SNAP
17		9974100054	1	RING, SNAP
18		9974100053	1	O-RING
19		9974100052	1	RING,SEAL - TAPER
20		9974100192	1	SHAFT

# Manitowoc Crane Group



# Manitowoc Crane Group

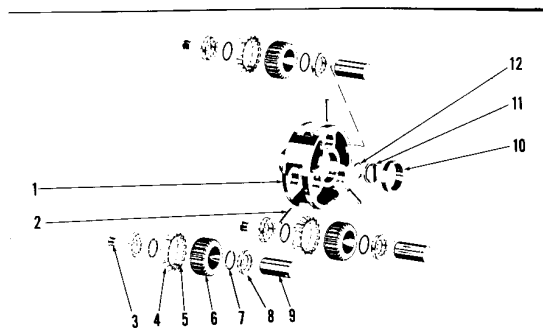
Description  
**HOIST ASSEMBLY - MODEL 11**

Assembly No.  
**7974000049**  
 Revision:

Item	FN	Part	Qty	Description
1		9974100021	12	CAP SCREW,
2		9974100022	12	WASHER,
3		9974100023	1	COVER,SPRING
4		9974100024	24	SPRING
5		9974100025	1	O-RING
6		9974100026	1	RING, SNAP
7		9974100027	1	O-RING
8		9974100028	1	MOTOR
9		9974100108	1	GEAR
10		9974100109	1	PLANET ASSEMBLY
11		9974100117	1	GEAR, RING
12		9974100110	2	PLATE,DIVIDER
13		9974100034	2	PLATE, BRAKE
14		9974100009	1	O-RING
15		9974100037	1	SEAL, OIL
16		9974100038	1	RING, SEAL
17		9974100039	1	RING, SNAP
18		9974100112	1	HOUSING
19		9974100041	1	PLUG
20		9974100042	4	PLUG
21	*	9974100133	1	KIT, SEAL

\* REPAIR KIT AND/OR PART OF KIT

# Manitowoc Crane Group



# Manitowoc Crane Group

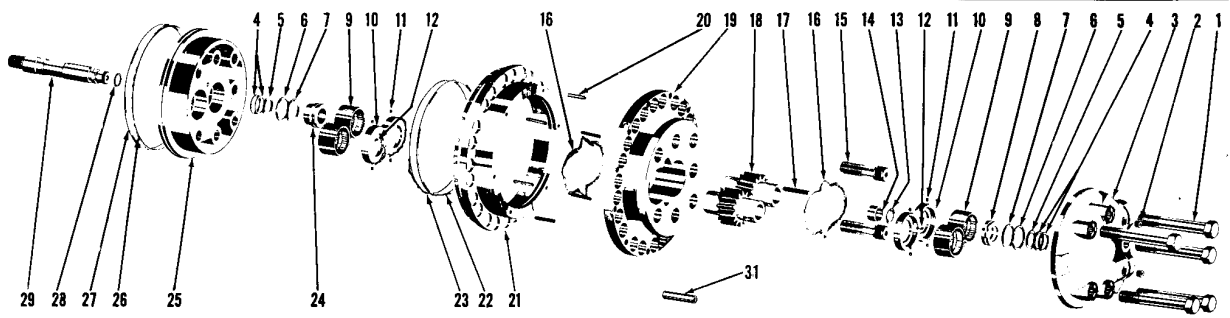
Description  
**HOIST ASSEMBLY - MODEL 11**

Assembly No.  
**7974000049**  
 Revision:

Item	FN	Part	Qty	Description
1		9974100065	5	CAP SCREW,
2		9974100042	2	PLUG
3		9974100067	1	COVER
4		9974100068	4	WASHER, BACK-UP
5		9974100069	2	O-RING
6		9974100070	2	WASHER, BACK-UP
7		9974100071	2	O-RING
8	%	9974101037	1	BUSHING
9		9974100073	4	BEARING
10		9974100074	2	PLATE, THRUST
11		9974100075	8	SEAL
12		9974100076	2	SEAL
13		9974100077	1	RING, SNAP
14		9974100078	1	SLEEVE
15		9974100079	2	CAP SCREW,
16		9974100080	2	O-RING
17		9974100081	1	KEY
18		9974100082	1	MATCHED GEAR SET
19		9974100083	1	HOUSING, GEAR
20		9974100084	6	PIN
21		9974100085	1	PISTON, BRAKE
22		9974100086	1	WASHER, BACK-UP
23		9974100087	1	O-RING
24	%	9974101036	1	BUSHING
25		9974100089	1	COVER
26		9974100090	1	OBSOLETE BY 7755270000
27		9974100091	1	OBSOLETE BY 7755270609
28		9974100092	1	O-RING
29		9974100093	1	SHAFT, MOTOR
7778		9974100028	1	MOTOR

% SEE NOTE AT END OF LIST

# Manitowoc Crane Group



7974000049

(SHEET 1 OF 1)

36XXXe 440



# Manitowoc Crane Group

Description

**HOIST ASSEMBLY - MODEL 11**

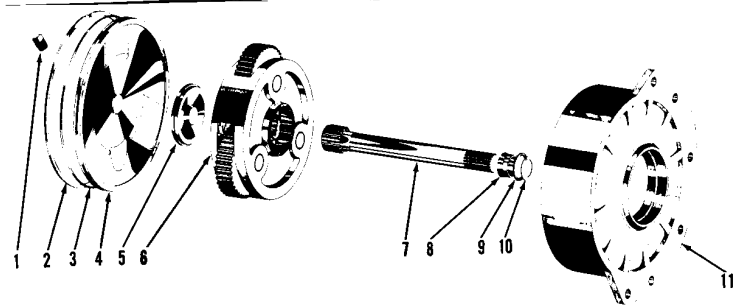
Assembly No.

**7974000049**

Revision:

Item	FN	Part	Qty	Description
1		9974100118	1	HUB
2		9974100113	3	PIN
3		9974100064	3	PLUG,THRUST
4		9974100105	48	LOCK, CAM
5		9974100106	3	CAMLOCK, CLEARANCE
6		9974100114	3	GEAR
7		9974100104	6	SPRING, GARTER
8		9974100101	6	BEARING
9		9974100115	3	PIN
10		9974100061	1	BUSHING
11		9974100062	1	PAD,THRUST
12		9974100063	1	O-RING
13		9974100109	1	PLANET ASSEMBLY

# Manitowoc Crane Group



# Manitowoc Crane Group

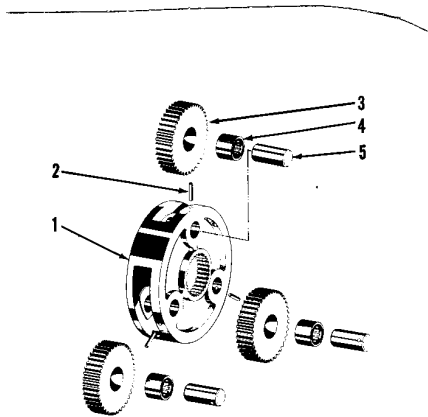
Description  
**HOIST ASSEMBLY - MODEL 11**

Assembly No.  
**7974000049**  
 Revision:

Item	FN	Part	Qty	Description
1		9974100045	1	PLUG, PIPE
2		9974100026	1	RING, SNAP
3		9974100025	1	O-RING
4		9974100048	1	COVER,END
5		9974100023	1	COVER,SPRING
6		9974100050	1	PLANET ASSEMBLY
7		9974100051	1	SHAFT,SUN GEAR
8		1000000000	0	MAJOR "SPECIAL" LEGEND
9		9974100053	1	O-RING
10		9974100054	1	RING, SNAP
11		9974100055	1	HOUSING, FINAL
12	*	9974100131	1	KIT, SEAL

\* REPAIR KIT AND/OR PART OF KIT

# Manitowoc Crane Group



# Manitowoc Crane Group

Description

**HOIST ASSEMBLY - MODEL 11**

Assembly No.

**7974000049**

Revision:

Item	FN	Part	Qty	Description
1		9974100094	1	HUB
2		9974100095	3	PIN
3		9974100096	3	GEAR
4		9974100097	3	BEARING
5		9974100098	3	PIN
6		9974100050	1	PLANET ASSEMBLY

# Manitowoc Crane Group

## Recommended Spare Parts List

## Appendix C

Part No.	1 Yr	2 Yr	3 Yr	Qty	Description	Page
4114900021	0	0	2	2	PAD, SIDE WEAR	382
6364000389	0	0	0	1	COUPLING	158
6490000040	0	0	0	2	PLANET GEAR AND PINION	171
6490000041	0	0	0	1	PINION, DRIVE	167
6671000013	0	0	2	6	PAD, WEAR	5, 7
6671000052	0	0	2	1	PAD, WEAR	15
6671000143	0	0	2	2	PAD, WEAR	382
6701000080	0	0	0	3	PISTON, CYLINDER	337, 361, 385
6701000138	0	0	0	2	PISTON, CYLINDER	343, 387
6794000263	0	0	2	1	GASKET, MOTOR	158
6794000266	0	0	2	1	RETAINER, SEAL	172
6810000576	0	0	0	4	SHAFT	317, 340
6810001040	0	0	0	1	SHAFT, MAIN	157
6810001043	0	0	0	1	SHAFT, INPUT	157
6810001090	0	0	0	4	SHAFT	317, 340
7033000041	0	0	0	1	ARM, WIPER - 20"	41
7069000107	0	0	1	1	BEARING	172
7069000111	0	0	1	4	BEARING, PLANET SHAFT,	172
7069000132	0	0	1	2	BEARING, BALL	215, 249
7069000133	0	0	1	1	BEARING, BALL	281
7069000137	0	0	1	2	BEARING, NEEDLE	25
7069000138	0	0	1	1	RACE, BEARING	25
7069000173	0	0	1	2	BEARING	191
7069000181	0	0	1	1	BEARING	172
7069000194	0	0	1	1	BEARING, BALL	158
7069000219	0	0	1	1	BEARING, ROLLER	158
7069000220	0	0	1	1	RACE, INNER	159
7172000006	0	0	2	7	BOOT, RUBBER CONTROL ROD	85
7242000021	1	1	3	2	PLUG, 1" BUTTON	19, 21
7364000034	0	0	1	1	CONNECTOR, MALE	172
7372000303	0	0	0	4	CYLINDER ASSEMBLY - THROTTLE	201, 207
7388000039	0	0	1	3	DISC, BRAKE	157
7440000000	0	0	1	25	FITTING-GREASE	5, 183, 311, 317, 340, 343, 367
7440000300	0	0	1	1	FITTING, 65 DEGREE GREASE	25
7440000400	0	0	1	2	FITTING, 90 DEGREE GREASE	172, 343
7440010000	0	0	1	1	FITTING, STRAIGHT GREASE	173
7440030000	0	0	1	1	FITTING, STRAIGHT GREASE	343
7440030400	0	0	1	1	FITTING, 90 DEGREE	343
7444010190	0	0	1	2	ELBOW, 45 DEGREE	277, 293
7444020031	1	1	3	1	PLUG, PIPE	403
7445020201	0	0	1	2	ADAPTER, STRAIGHT	315
7445020204	0	0	1	2	ADAPTER, 90 DEGREE SWIVEL	417, 418
7445020249	0	0	1	2	NIPPLE, HIGH PRESSURE	71

From - 4114900021

To - 7445020249

# Manitowoc Crane Group

## Recommended Spare Parts List

## Appendix C

Part No.	1 Yr	2 Yr	3 Yr	Qty	Description	Page
7445020404	0	0	1	3	ADAPTER, 90 DEGREE SWIVEL	71, 418
7445040250	0	0	1	1	BUSHING, REDUCER	419
7445040401	0	0	1	14	ADAPTER, STRAIGHT SWIVEL	71, 81, 202, 207, 417
7445040404	0	0	1	10	ADAPTER, 90 DEGREE SWIVEL	81, 418
7445040407	0	0	1	1	ELBOW, 90 DEGREE	200
7445040409	0	0	1	6	ADAPTER, 45 DEGREE SWIVEL	67, 75, 418
7445040412	0	0	1	4	ADAPTER, SWIVEL	75, 418
7445040601	0	0	1	3	ADAPTER, STRAIGHT SWIVEL	418
7445060401	0	0	1	6	ADAPTER, STRAIGHT SWIVEL	201, 418
7445060404	0	0	1	3	ADAPTER, SWIVEL	201, 418
7445060419	0	0	1	1	ADAPTER, STRAIGHT MALE	165
7445060420	0	0	1	2	ELBOW, 90 DEGREE	165
7445060601	0	0	1	4	ADAPTER, SWIVEL	79, 418
7445060604	0	0	1	10	ADAPTER, SWIVEL	67, 375, 395, 418
7445060605	0	0	1	14	ADAPTER, 90 DEGREE SWIVEL	375, 395
7445060607	0	0	1	2	ADAPTER, SWIVEL	375
7445060609	0	0	1	12	ELBOW, 45 DEGREE	379, 395
7445080404	0	0	1	3	SWIVEL ADAPTER UNION	200, 418
7445080417	0	0	1	1	ADAPTER, REDUCING	81
7445080612	0	0	1	4	ADAPTER	375, 418
7445080801	0	0	1	18	ADAPTER, STRAIGHT	71, 75, 77, 79, 375, 418
7445080804	0	0	1	4	ELBOW, 90 DEGREE	75, 77, 81
7445080805	0	0	1	2	ELBOW, 90 DEGREE	375, 418
7445080808	0	0	1	3	ADAPTER, SWIVEL	375, 395
7445080809	0	0	1	5	ADAPTER, SWIVEL	77, 81, 375, 395
7445080811	0	0	1	2	ADAPTER, 45 DEGREE SWIVEL	375
7445080813	0	0	1	3	ADAPTER, 90 DEGREE SWIVEL	82, 395
7445080849	0	0	1	2	NIPPLE	418, 419
7445080856	0	0	1	1	CROSS	418
7445100811	0	0	1	6	ADAPTER	71, 79, 395
7445100819	0	0	1	1	ADAPTER, STRAIGHT	418
7445120801	0	0	1	2	ADAPTER, STRAIGHT	75, 81
7445120804	0	0	1	1	ADAPTER, 90 DEGREE SWIVEL	75
7445120809	0	0	1	1	ADAPTER, 45 DEGREE SWIVEL	81
7445121201	0	0	1	2	ADAPTER, SWIVEL	315
7445121203	0	0	1	3	ADAPTER, STRAIGHT SWIVEL	315
7445121204	0	0	1	3	ELBOW, 90 DEGREE	315
7445121208	0	0	1	1	ADAPTER, 90 DEGREE SWIVEL	315
7445121209	0	0	1	4	ELBOW, 45 DEGREE MALE	67, 81, 315
7445161250	0	0	1	4	BUSHING, REDUCER	81
7445161601	0	0	1	1	ADAPTER, STRAIGHT SWIVEL	315
7445161603	0	0	1	1	ADAPTER, SWIVEL	315
7445161609	0	0	1	4	ADAPTER, 45 DEGREE SWIVEL	67, 315, 375

From - 7445020404

To - 7445161609

# Manitowoc Crane Group

## Recommended Spare Parts List

## Appendix C

Part No.	1 Yr	2 Yr	3 Yr	Qty	Description	Page
7445161655	0	0	1	2	TEE	81
7445162001	0	0	1	5	ADAPTER, SWIVEL	68, 81
7445202001	0	0	1	2	ADAPTER, SWIVEL	68
7445202004	0	0	1	1	ADAPTER, SWIVEL	68
7486000266	0	0	1	1	INDICATOR, LOW PRESSURE	417
7506000009	0	0	2	2	GROMMET	45, 65
7542001203	0	0	0	3	HOSE ASSY	82, 418
7542002403	0	0	0	2	HOSE ASSY	81, 201
7542003603	0	0	0	3	HOSE ASSY	71, 417
7542004003	0	0	0	1	HOSE ASSY	417
7542004603	0	0	0	6	HOSE ASSY	418
7542005203	0	0	0	2	HOSE ASSY	417
7542006001	0	0	0	1	HOSE ASSY	315
7542006003	0	0	0	1	HOSE ASSY	418
7542008403	0	0	0	2	HOSE ASSY	200
7542014403	0	0	0	2	HOSE ASSY	418
7542102405	0	0	0	1	HOSE ASSY	418
7542301206	0	0	0	1	HOSE ASSY	81
7542304806	0	0	0	1	HOSE ASSY	81
7542308406	0	0	0	1	HOSE ASSY	417
7542312006	0	0	0	2	HOSE ASSY	81, 376
7542503007	0	0	0	1	HOSE ASSY	315
7542503607	0	0	0	1	HOSE ASSY	315
7542505607	0	0	0	1	HOSE ASSY	315
7542506007	0	0	0	1	HOSE ASSY	315
7542506009	0	0	0	1	HOSE ASSY	315
7542509607	0	0	0	1	HOSE ASSY	315
7543000303	0	0	0	1	HOSE ASSY	417
7543000334	0	0	0	1	HOSE, RADIATOR	199
7545101220	0	0	0	2	HOSE ASSY	75
7545102420	0	0	0	1	HOSE ASSY	75
7545103020	0	0	0	1	HOSE ASSY	71
7545201020	0	0	0	4	HOSE ASSY, 3/8" X 10"	75
7545201520	0	0	0	4	HOSE ASSY	379
7545204820	0	0	0	4	HOSE ASSY	395
7545206020	0	0	0	4	HOSE ASSY	79, 395
7545212020	0	0	0	1	HOSE ASSY	375
7545213220	0	0	0	2	HOSE ASSY	375
7545301820	0	0	0	1	HOSE ASSY	395
7545302420	0	0	0	6	HOSE ASSY, 1/2" X 24"	71, 375, 395
7545303620	0	0	0	2	HOSE ASSY	75
7545307220	0	0	0	6	HOSE ASSY	75, 79, 395
7545308420	0	0	0	7	HOSE ASSY	77, 375
7545314420	0	0	0	2	HOSE ASSY, 1/2" X 144"	395

From - 7445161655

To - 7545314420



# Manitowoc Crane Group

## Recommended Spare Parts List

## Appendix C

Part No.	1 Yr	2 Yr	3 Yr	Qty	Description	Page
7581000011	0	0	1	2	LIGHT, AMBER	423
7581000012	0	0	1	2	LIGHT, RED TURNSIGNAL	423
7632000032	0	0	0	2	MOTOR ASSEMBLY - HYDRAULIC	158
7642000006	0	0	0	2	MUFFLER	200
7671000057	0	0	2	2	PAD, FRICTION	179
7689000036	0	0	0	1	PIN, CLIP	27
7689000053	0	0	0	6	PIN, CLIP	17, 23, 29
7690000810	0	0	0	7	PIN, COTTER	202, 208, 367
7690001210	0	0	0	4	PIN, COTTER	177
7690021210	0	0	0	3	PIN, 3/32" X 3/4" LONG COTTER	313
7690021610	0	0	0	1	PIN, #2 X 1" LONG COTTER	85
7690051210	0	0	0	12	PIN, COTTER	202, 208, 311, 367
7690051244	0	0	0	1	PIN, ROLL	311
7690052010	0	0	0	2	PIN, COTTER	85, 181
7690152000	0	0	0	1	PIN, CLEVIS	367
7690161600	0	0	0	4	PIN, CLEVIS 3/8" X 1"	311
7690161800	0	0	0	6	PIN, CLEVIS	202, 208, 311
7690162000	0	0	0	4	PIN, 3/8 DIA. X 1 1/4" CLEVIS	85, 313
7690182200	0	0	0	1	PIN, CLEVIS	181
7690182400	0	0	0	3	PIN, CLEVIS	85
7750000005	0	0	1	2	SOLENOID, STARTER	201, 207
7750000019	0	0	1	1	RELAY	277
7753000117	0	0	2	6	RING, WEAR	337, 361, 385
7753000150	0	0	2	1	RING, WEAR	343
7753000156	0	0	2	2	RING, SNAP	25
7754000135	0	0	2	3	O-RING, LOW TEMPERATURE	13, 343, 387
7755010000	0	0	2	11	O-RING	90, 99, 103, 105, 107, 111, 112, 123, 127, 131, 133
7755013000	0	0	2	2	O-RING	363, 373
7755014000	0	0	2	11	O-RING	90, 99, 103, 105, 107, 111, 112, 123, 127, 131, 133
7755015002	0	0	2	11	O-RING	391, 392
7755022000	0	0	2	3	O-RING	337, 361, 385
7755042000	0	0	2	2	O-RING	219, 253
7755110000	0	0	2	2	O-RING	363, 373
7755110609	0	0	2	7	RING, BACK-UP	89, 109, 135, 141, 149, 363, 373
7755114000	0	0	2	3	O-RING	215, 249, 281
7755115000	0	0	2	5	O-RING	89, 93, 157
7755117000	0	0	2	2	O-RING	363, 373
7755118000	0	0	2	5	O-RING	90, 91, 97, 101
7755120000	0	0	2	2	O-RING	369

From - 7581000011

To - 7755120000

# Manitowoc Crane Group

Recommended Spare Parts List					Appendix C	
Part No.	1 Yr	2 Yr	3 Yr	Qty	Description	Page
7755120609	0	0	2	2	RING, BACK-UP	369
7755154000	0	0	2	1	O-RING	157
7755210000	0	0	2	2	CLAMP, O-RING	219, 253
7755212000	0	0	2	26	O-RING	109, 110, 111, 112, 119, 121, 125, 135, 136, 141, 147, 149
7755214000	0	0	2	2	O-RING	369
7755214609	0	0	2	2	RING, BACK-UP	369
7755216000	0	0	2	9	O-RING	110, 111, 112, 119, 121, 125, 136, 147
7755222000	0	0	2	1	O-RING	165
7755225000	0	0	2	6	O-RING	67
7755228000	0	0	2	2	O-RING	229, 263
7755236000	0	0	2	2	O-RING	213, 247
7755240000	0	0	2	1	O-RING	297
7755246000	0	0	2	1	O-RING	158
7755247000	0	0	2	1	O-RING, RETURN FILTER	171
7755250000	0	0	2	4	O-RING	219, 221, 253, 255
7755254000	0	0	2	2	O-RING	221, 255
7755259000	0	0	2	1	O-RING	157
7755275000	0	0	2	2	O-RING	157
7755325609	0	0	2	8	RING, BACK-UP	11, 13, 343, 387
7755326000	0	0	2	1	O-RING	303
7755328000	0	0	2	5	O-RING	285, 287, 289
7755334000	0	0	2	3	O-RING	337, 361, 385
7755334609	0	0	2	3	RING, BACK-UP	337, 361, 385
7755338000	0	0	2	1	O-RING	291
7755342609	0	0	2	1	RING, BACK-UP	11
7755347002	0	0	2	1	O-RING	157
7755358000	0	0	2	2	O-RING	172
7755425609	0	0	2	3	RING, BACK-UP	13, 343, 387
7755427002	0	0	2	1	O-RING	157
7755901000	0	0	2	1	O-RING	89
7755904002	0	0	2	1	O-RING	200
7755908000	0	0	2	1	O-RING	395
7755908002	0	0	2	6	O-RING	375, 392
7755910000	0	0	2	3	O-RING	293
7755910002	0	0	2	3	O-RING	71, 79, 395
7755912002	0	0	2	8	O-RING	67, 75, 77, 81, 315, 379
7755916000	0	0	2	3	O-RING	67, 68, 293
7755916002	0	0	2	2	O-RING	315
7794000015	0	0	2	1	RING, WIPER	343
7794000139	0	0	2	2	GASKET, AIR GOVERNOR	202, 207

From - 7755120609

To - 7794000139

# Manitowoc Crane Group

## Recommended Spare Parts List

## Appendix C

Part No.	1 Yr	2 Yr	3 Yr	Qty	Description	Page
7794000237	0	0	2	4	GASKET	203, 208
7794000256	0	0	2	1	SEAL, ROD	11
7794000264	0	0	2	1	SEAL, OIL	158
7794000265	0	0	2	2	SEAL, OIL	158
7794000267	0	0	2	2	SEAL, PINION AND SHAFT	171
7794000268	0	0	2	2	SEAL	171
7794000269	0	0	2	2	SEAL	172
7794000270	0	0	2	1	SEAL	172
7794000288	0	0	2	2	GASKET	201, 207
7794000394	0	0	2	1	SEAL	159
7834000037	0	0	1	1	SPRING	367
7834000075	0	0	1	6	SPRING, COMPRESSION	157
7872000059	0	0	1	1	SWITCH, PRESSURE	417
7872000066	0	0	1	8	SWITCH, PUSH BUTTON	49
7872000115	0	0	1	1	SWITCH, NEUTRAL SAFETY	293
7872000158	0	0	1	1	SWITCH, 24 VOLT	41
7872000164	0	0	1	1	SWITCH, PUSH PULL	49
7888000008	0	0	1	1	TEE, SERVICE	417
7888000031	0	0	1	3	TEE, SERVICE	417
7888000033	0	0	1	1	TEE, SERVICE	165
7926000045	0	0	0	1	VALVE, CHECK	67
7926000154	0	0	0	2	VALVE,HOLDING 3/8 X 1/2 W/PILO	11, 13
7926000205	0	0	0	3	VALVE ASSEMBLY -	403
7926000209	0	0	0	1	VALVE, DRAIN	403
7926000219	0	0	0	6	VALVE ASSEMBLY - 4 STACK	389
7926000223	0	0	0	2	VALVE ASSEMBLY - SECTION	89
7926000227	0	0	0	3	VALVE SECTION - INLET	109, 135
7926000229	0	0	0	4	VALVE ASSEMBLY - OUTLET	109, 135
7926000233	0	0	0	4	VALVE ASSEMBLY - 4-WAY SECTION	109
7926000273	0	0	0	1	COCK, DRAIN	417
7926000274	0	0	0	1	VALVE, CHECK	199
7926000353	0	0	0	2	VALVE SECTION - INLET	109
7926000472	0	0	0	1	VALVE, CONTROL	71
7926000487	0	0	0	1	VALVE, PRESSURE PROTECTION	403
7926000489	0	0	0	1	VALVE ASSEMBLY - RELIEF	71
7926000702	0	0	0	4	VALVE ASSEMBLY - RELIEF	340, 371
7926000773	0	0	0	1	VALVE ASSEMBLY - MOTOR	165
7926001228	0	0	0	1	VALVE, DOUBLE CHECK	403
7949000162	0	0	1	2	WASHER, NEEDLE BEARING	25
9049101543	0	0	1	4	CONE, BEARING	323, 349
9049101544	0	0	1	4	CUP, BEARING	323, 349
9049101579	0	0	2	2	SEAL, OIL	323, 349
9049101580	0	0	2	2	GASKET	323, 349
9049101648	0	0	2	4	SEAL, OIL	327, 351

From - 7794000237

To - 9049101648

# Manitowoc Crane Group

## Recommended Spare Parts List

## Appendix C

Part No.	1 Yr	2 Yr	3 Yr	Qty	Description	Page
9049101654	0	0	0	3	U-JOINT	328, 352
9049101656	0	0	2	4	SEAL, OIL	328, 352
9049101687	0	0	1	48	STUD	327, 351
9049101693	0	0	1	4	CONE, BEARING	327, 351
9049101697	0	0	2	4	SEAL, OIL	328, 352
9049101943	0	0	2	4	SEAL ASSEMBLY, ANCHOR	355
9049101964	0	0	2	2	DIAPHRAGM	335, 359
9049103992	0	0	2	4	SEAL ASSEMBLY	331
9049104362	0	0	0	4	U-JOINT	329, 353
9049104363	0	0	0	4	SHAFT	329, 353
9049104364	0	0	0	4	SHAFT	329, 353
9188100069	0	0	1	1	SPRING	179
9188100171	0	0	1	2	SPRING	331
9274100201	0	0	2	4	SEAL, OIL	221, 255, 283, 299
9304100014	0	0	2	1	O-RING, AIR CLEANER	241
9372101949	1	1	2	0	KIT, REPAIR	235, 269
9437100070	0	0	2	1	SEAL, HOUSING	415
9437100071	4	4	6	1	ELEMENT, FILTER	415
9437100135	4	4	6	1	ELEMENT, AIR CLEANER	241
9437100203	0	0	2	1	GASKET	243
9437100206	0	0	2	1	GASKET	243
9437100207	4	4	6	1	ELEMENT	243
9490100050	0	0	1	1	WASHER,	161
9490100051	0	0	1	12	WASHER, THRUST	161
9490100066	0	0	1	96	ROLLER, NEEDLE	161
9490100067	0	0	1	48	ROLLER, NEEDLE	161
9543100004	0	0	0	1	HOSE ASSY	199
9543100013	0	0	0	2	HOSE ASSY	201, 207
9543100029	0	0	0	1	HOSE ASSY	199
9581100030	1	1	1	1	BEAM, SEALED	423
9581100033	1	1	1	1	BULB	423
9581100034	1	1	1	1	BULB	49
9581100035	1	1	1	1	BULB	423
9581100036	1	1	1	4	BULB	425
9581100038	1	1	1	1	BEAM, SEALED	423
9581100047	1	1	1	2	BULB	39
9632100200	0	0	2	2	SEAL, RING	163
9632100201	0	0	2	1	SEAL, POCKET - 3" STRIP	163
9632100259	0	0	1	1	RACE, BEARING	175
9632100260	0	0	1	1	BEARING, NEEDLE	175
9632100261	0	0	0	1	SHAFT, SPLINE	175
9632100267	1	1	2	1	REPAIR KIT - ORBIT MOTOR	175
9722100029	0	0	1	28	BEARING	163, 229, 263
9722100030	0	0	2	14	O-RING	163, 229, 263

From - 9049101654

To - 9722100030

# Manitowoc Crane Group

Recommended Spare Parts List					Appendix C	
Part No.	1 Yr	2 Yr	3 Yr	Qty	Description	Page
9722100031	0	0	0	14	PLATE, THRUST	163, 229, 263
9722100050	0	0	2	6	SEAL, POCKET	229, 263
9722100120	0	0	0	2	VALVE, CHECK	163
9722100255	1	1	2	2	KIT, REPAIR	233, 267
9752100027	1	1	2	1	KIT, REPAIR	187
9752100072	1	1	2	1	KIT, REPAIR	337, 361, 385
9752100076	1	1	2	1	KIT, REPAIR	13
9752100114	1	1	2	1	KIT, REPAIR	11
9752100123	1	1	2	1	KIT, REPAIR	181
9752100140	1	1	2	1	KIT, REPAIR	407
9752100158	1	1	2	1	REPAIR KIT - HOIST	159
9752100160	1	1	2	1	KIT, REPAIR	183
9752100241	1	1	2	0	KIT, REPAIR	387
9752100242	1	1	2	1	KIT, REPAIR	343
9752100248	1	1	2	1	KIT, REPAIR	163
9752100253	1	1	2	2	KIT, REPAIR	230, 264
9752100264	1	1	2	6	KIT, REPAIR	91, 93, 97, 101
9752100265	1	1	2	4	KIT, REPAIR	91, 97, 101
9752100266	1	1	2	11	KIT, REPAIR	91, 99, 103, 105, 107, 112, 123, 127, 131, 133
9752100267	1	1	2	1	KIT, REPAIR	91
9752100268	1	1	2	10	KIT, REPAIR	112, 113, 115, 119, 121, 125, 136, 139, 147
9752100269	1	1	2	11	KIT, REPAIR	91, 95, 109, 113, 115, 135, 136, 139, 141, 149
9752100270	1	1	2	7	KIT, REPAIR	113, 119, 121, 125, 136, 147
9752101337	1	1	2	1	KIT, SEAL	387
9794100012	0	0	2	1	MOULDING	239
9904102415	0	0	2	3	SEAL, OIL	215, 249, 281
9904102425	0	0	2	1	GASKET	283
9904102436	0	0	2	5	SEAL, RING	285, 287, 289
9904102480	0	0	2	1	GASKET	291
9904102525	0	0	2	1	GASKET	293
9904102547	0	0	2	1	GASKET	299
9904102555	0	0	2	1	SEAL, OIL	299
9904102592	0	0	2	2	SEAL, OIL	215, 249
9904102595	0	0	2	2	SEAL, RING	215, 249
9904102597	0	0	2	2	GASKET	215, 249
9904102614	0	0	2	2	GASKET	219, 253
9904102633	4	4	6	2	ELEMENT ASSY	223, 257
9904102636	0	0	2	2	GASKET	223, 257
9904102775	0	0	2	2	GASKET	216, 250
9904102780	0	0	1	2	BEARING	221, 255

From - 9722100031

To - 9904102780

# Manitowoc Crane Group

## Recommended Spare Parts List

## Appendix C

Part No.	1 Yr	2 Yr	3 Yr	Qty	Description	Page
9904102793	0	0	1	9	RING, SEAL	285, 287, 289
9904102801	0	0	2	1	GASKET	293
9904102802	0	0	2	2	SEAL, OIL	293
9904103083	0	0	2	2	O-RING	213, 247
9904103109	0	0	2	1	BOOT, RUBBER	283
9904103228	4	4	6	4	FILTER	225, 227, 259, 261
9926100686	0	0	2	1	WASHER, GASKET	89
9926100687	0	0	0	1	CARTRIDGE	89
9926100698	0	0	0	8	CARTRIDGE ASSEMBLY	109, 135, 141, 149
9926100714	0	0	2	9	RING, BACK-UP	110, 111, 119, 121, 125, 136, 147
9926100721	0	0	2	46	O-RING	89, 90, 91, 93, 97, 101, 109, 110, 111, 112, 115, 119, 121, 125, 135, 136, 139, 147
9926100722	0	0	2	20	O-RING	89, 90, 91, 93, 97, 101
9926100723	0	0	2	13	O-RING	109, 110, 111, 112, 115, 119, 121, 125, 135, 136, 139, 147
9926100764	0	0	2	4	RING, QUAD	391
9926100833	0	0	1	3	SPRING, CAP	89, 97
9926101108	0	0	2	9	GASKET, LEAD COPPER	90, 99, 105, 111, 112, 123, 127, 131, 133
9926101111	0	0	0	9	CARTRIDGE	90, 99, 105, 111, 112, 123, 127, 131, 133
9926101125	0	0	2	4	RING, BACK-UP	129, 143, 151, 153
9926101512	0	0	2	1	GASKET	55
9926101775	0	0	2	4	O-RING	391
9926101840	0	0	0	6	VALVE ASSEMBLY - RELIEF	91, 101
9926101841	0	0	0	10	VALVE ASSEMBLY - RELIEF	90, 97, 111, 112, 125
9926101842	0	0	0	2	VALVE ASSEMBLY - RELIEF	89, 93
9926101843	0	0	0	7	VALVE ASSEMBLY - RELIEF	109, 135, 139
9926101847	0	0	0	2	VALVE ASSEMBLY - RELIEF	109, 115
9926101848	0	0	0	4	VALVE ASSEMBLY - RELIEF	111, 121
9926101998	0	0	0	1	VALVE, SECTION	392
9926101999	0	0	0	2	VALVE, SECTION	391
9926102000	0	0	0	1	VALVE, SECTION	392
9926112122	1	1	2	2	KIT,SEAL	11, 13
9974100008	0	0	2	1	SEAL, RING	435
9974100024	0	0	1	24	SPRING	437
9974100037	0	0	2	1	SEAL, OIL	437
9974100062	0	0	1	1	PAD,THRUST	441
9974100075	0	0	2	8	SEAL	439

From - 9904102793

To - 9974100075

# Manitowoc Crane Group

## Recommended Spare Parts List

## Appendix C

Part No.	1 Yr	2 Yr	3 Yr	Qty	Description	Page
9974100076	0	0	2	2	SEAL	439
9974100097	0	0	1	3	BEARING	445
9974100131	1	1	2	1	KIT, SEAL	443
9974100133	1	1	2	1	KIT, SEAL	437

From - 9974100076

To - 9974100133

# Manitowoc Crane Group

## Belt and Filter Maintenance List

## Appendix D

Part No.	1000 Hrs	2000 Hrs	Qty	Description	Page
9437100071	2	4	1	ELEMENT, FILTER	415
9437100135	2	4	1	ELEMENT, AIR CLEANER	241
9437100207	2	4	1	ELEMENT	243
9904102633	2	4	2	ELEMENT ASSY	223, 257
9904103228	2	4	4	FILTER	225, 227, 259, 261

From - 9437100071

To - 9904103228