

# Manitowoc Cranes MACHINE COMPONENT INDEX

Date: Dec 07, 2015

Rev: 0

<u>Model Number</u> RT60S		<u>Serial Number</u> 23609		
Item	Part	Description	Page	
12	<b>6164000463</b>	<b>BOOM</b> BOOM ASSY.COMP. BASE SECTION	3	
	<b>6164000465</b>	SECTION ASSEMBLY - BOOM BASE	5	
	<b>2115900061</b>	SECTION ASSEMBLY - BOOM MID	7	
	<b>6176000175</b>	BOX, CYLINDER	9	
	<b>6372000824</b>	CYLINDER ASSEMBLY - 4" TELESCOPE	11	
	<b>6372000593</b>	CYLINDER ASSEMBLY - 5" TELESCOPE	13	
	<b>6869000119</b>	CYLINDER SUPPORT INSTALLATION (NOT AVAILABLE AS ASSEMBLY)	15	
	<b>6718000116</b>	HOSE SHEAVE AND REAR BOOM COVER INSTALLATION	17	
	45	<b>6486000053</b>	ELEVATION INDICATOR - LEFT HAND BOOM	19
	46	<b>2160900024</b>	JIB INSTALLATION - 23' CABLE SUSPENDED	21
	<b>6718000092</b>	SHEAVE WHEEL ASSEMBLY	23	
47	<b>2104900027</b>	JIB CARRIER INSTALLATION	25	
3	<b>2160200036</b>	<b>SUPERSTRUCTURE</b> T/T DRIVE ASSEMBLY	27	
	<b>6176000216</b>	BOX ASSEMBLY - SWING	31	
	<b>7632000041</b>	MOTOR ASSEMBLY - ORBIT	35	
	<b>6258000257</b>	BRAKE COVER ASSEMBLY	37	
	11	<b>2160900027</b>	SWIVEL INSTALLATION	39
	<b>7364000285</b>	SWIVEL ASSEMBLY - 12 PORT	43	
	<b>7364000286</b>	SWIVEL ASSEMBLY - 10 PORT	45	
	<b>7753000128</b>	RING ASSEMBLY - SLIP	47	
26	<b>2160800059</b>	HYDRAULIC MANIFOLD INSTALL.	49	
31	<b>2160200029</b>	LIFT CYLINDER ASSY.	51	
	<b>7372000417</b>	CYLINDER ASSEMBLY - 8 1/4" LIFT	53	
	<b>7926000044</b>	VALVE ASSEMBLY - CHECK	55	
36	<b>2160600210</b>	CONTROL VALVE & LINKAGE INSTAL	57	
	<b>6926000403</b>	VALVE BANK ASSEMBLY - 2 SECTION (A-20 SERIES)	61	

# Manitowoc Cranes MACHINE COMPONENT INDEX

Date: Dec 07, 2015

Rev: 0

<u>Model Number</u> RT60S		<u>Serial Number</u> 23609	
Item	Part	Description	Page
	7926000223	VALVE ASSEMBLY - SECTION INLET (A-20 SERIES)	67
	7926000225	VALVE ASSEMBLY - SECTION OUTLET (A-20 SERIES)	69
	7926000222	VALVE ASSEMBLY - 4-WAY SECTION	71
	9926101841	VALVE ASSEMBLY - RELIEF	73
	7926000275	VALVE SECTION - 4 WAY	75
	9926101845	VALVE ASSEMBLY - RELIEF 1500 PSI	77
	9926101841	VALVE ASSEMBLY - RELIEF	79
	9926101845	VALVE ASSEMBLY - RELIEF 1500 PSI	81
	6926000512	VALVE BANK ASSEMBLY - TWO SECTION A-35 SERIES	83
	7926000353	VALVE SECTION - INLET (A-35 SERIES)	87
	7926000229	VALVE ASSEMBLY - OUTLET	89
	7926000228	VALVE ASSEMBLY - 4-WAY SECTION (A-35 SERIES)	91
	9926100698	CARTRIDGE ASSEMBLY	93
	6926000245	VALVE BANK ASSEMBLY - FOUR SECTION A-35 SERIES	95
	7926000353	VALVE SECTION - INLET (A-35 SERIES)	101
	7926000229	VALVE ASSEMBLY - OUTLET	103
	7926000233	VALVE ASSEMBLY - 4-WAY SECTION (A-35 SERIES)	105
	7926000377	VALVE SECTION - RELIEF	107
	9926101848	VALVE ASSEMBLY - RELIEF	109
	7926000232	VALVE SECTION - 4 WAY (A-35 SERIES)	111
	9926101841	VALVE ASSEMBLY - RELIEF	113
	9926100698	CARTRIDGE ASSEMBLY	115
	9926101848	VALVE ASSEMBLY - RELIEF	117
	9926101841	VALVE ASSEMBLY - RELIEF	119
	7172000006	BOOT, RUBBER CONTROL ROD	NO DWG
39	2160600200	LINES INSTALL-MOD 15 HOIST HYD	121

# Manitowoc Cranes MACHINE COMPONENT INDEX

Date: Dec 07, 2015

Rev: 0

<u>Model Number</u> RT60S		<u>Serial Number</u> 23609	
Item	Part	Description	Page
40	6738000023	HOSE REEL INSTALLATION - RIGHT HAND	125
85	2160600190	FREE SWING HYD. LINES INSTALL	129
86	2160600157	LIFT HYD. SCHEMATIC	131
	7926000044	VALVE ASSEMBLY - CHECK	133
87	2160600054	TELESCOPE MID - HYDRAULIC SCHEMATIC	135
88	2160600055	HYDRAULIC LINES INSTALL - FLY TELESCOPE SCHEMATIC	137
134	6486000315	ROTATION INSTALLATION - HOIST DRUM	139
144	6974000186	HOIST INSTALL - MOD 15 MAIN	143
	6974000124	HOIST ASSEMBLY - HO15 - 16	145
	7490000044	GEAR REDUCTION ASSEMBLY	149
	7632000033	MOTOR ASSEMBLY - HYDRAULIC	151
	6974000182	TUBING INSTALLATION - HOIST (NOT AVAILABLE AS ASSEMBLY)	153
	7926000559	VALVE ASSEMBLY - HOIST CONTROL	155
		<b>SUPERSTRUCTURE CAB</b>	
22	2160800220	TRANS.SHIFT LINKAGE INSTALL.	157
32	2160400042	CAB ASSEMBLY	159
	2150400009	DOOR ASSEMBLY - CAB	163
	2160600045	FRONT CONTROL CONSOLE INSTALLATION (NOT AVAILABLE AS ASSEMBLY)	165
	7926000204	VALVE ASSEMBLY - STEERING	169
	2160200022	PIN INSTALLATION - TURNTABLE LOCK INSTALLATION (NOT AVAILABLE AS ASSEMBLY)	173
	2160400063	CONTROL CONSOLE INSTALLATION - RIGHT HAND	175
	7926000198	VALVE ASSEMBLY	177
	7926000198	VALVE ASSEMBLY	179
	7926000198	VALVE ASSEMBLY	181
	2160400045	WIPER INSTALLATION - WINDSHIELD	183

# Manitowoc Cranes MACHINE COMPONENT INDEX

Date: Dec 07, 2015

Rev: 0

<u>Model Number</u> RT60S		<u>Serial Number</u> 23609	
Item	Part	Description	Page
	7683000007	PEDAL ASSEMBLY	185
	9926101144	VALVE, CONTROL	187
	9926101156	VALVE ASSEMBLY - CONTROL	189
	6585000063	LOCK INSTALLATION - WINDOW (NOT AVAILABLE AS ASSEMBLY)	191
33	2160400052	CAB INSTALLATION	193
	2160400042	CAB ASSEMBLY	195
	2150400009	DOOR ASSEMBLY - CAB	199
	2160600045	FRONT CONTROL CONSOLE INSTALLATION (NOT AVAILABLE AS ASSEMBLY)	201
	7926000204	VALVE ASSEMBLY - STEERING	205
	2160200022	PIN INSTALLATION - TURNTABLE LOCK INSTALLATION (NOT AVAILABLE AS ASSEMBLY)	209
	2160400063	CONTROL CONSOLE INSTALLATION - RIGHT HAND	211
	7926000198	VALVE ASSEMBLY	213
	7926000198	VALVE ASSEMBLY	215
	7926000198	VALVE ASSEMBLY	217
	2160400045	WIPER INSTALLATION - WINDSHIELD	219
	7683000007	PEDAL ASSEMBLY	221
	9926101144	VALVE, CONTROL	223
	9926101156	VALVE ASSEMBLY - CONTROL	225
	6585000063	LOCK INSTALLATION - WINDOW (NOT AVAILABLE AS ASSEMBLY)	227
53	2160600191	BRAKE INSTAL - FREE SWING HAND	229
68	2161400001	HEATER INSTALL. PROPANE	231
	7515000014	HEATER ASSEMBLY - PROPANE	233
	7515000014	HEATER ASSEMBLY - PROPANE	235
	7515000014	HEATER ASSEMBLY - PROPANE	237
	7515000014	HEATER ASSEMBLY - PROPANE	239
	7515000014	HEATER ASSEMBLY - PROPANE	241
	7515000014	HEATER ASSEMBLY - PROPANE	243
	7515000014	HEATER ASSEMBLY - PROPANE	245

# Manitowoc Cranes MACHINE COMPONENT INDEX

Date: Dec 07, 2015

Rev: 0

<u>Model Number</u> RT60S		<u>Serial Number</u> 23609	
Item	Part	Description	Page
72	6380000007	WINDSHIELD DEFROSTER INSTL	247
74	2160400035	AIR HORN INSTALLATION	249
	7926000208	VALVE ASSEMBLY - HORN	251
125	2160200022	PIN INSTALLATION - TURNTABLE LOCK INSTALLATION (NOT AVAILABLE AS ASSEMBLY)	253
		<b>LOWERWORKS/CARRIER</b>	
4	2160500004	FRONT AXLE INSTALLATION	255
	7049000108	AXLE ASSEMBLY - DRIVE STEER	257
	7049000108	AXLE ASSEMBLY - DRIVE STEER HOUSING GROUP	259
	7049000108	AXLE ASSEMBLY - DRIVE STEER DIFFERENTIAL CARRIER ASSEMBLY	261
	7049000108	AXLE ASSEMBLY - DRIVE STEER HUB AND SHAFT GROUP	265
	7049000108	AXLE ASSEMBLY - DRIVE STEER BRAKE ASSEMBLY	269
	7049000108	AXLE ASSEMBLY - DRIVE STEER WEDGE ASSEMBLY	271
	7049000108	AXLE ASSEMBLY - DRIVE STEER FAIL SAFE CHAMBER ASSEMBLY	273
	6372000485	CYLINDER ASSEMBLY - 3" STEER (COMPLETE ASSEMBLY)	275
5	2160700025	REAR AXLE INSTALLATION	277
	7049000129	AXLE ASSEMBLY - NO-SPIN REAR DRIVE STEER	279
	7049000129	AXLE ASSEMBLY - NO-SPIN REAR DRIVE STEER HOUSING ASSEMBLY	281
	7049000129	AXLE ASSEMBLY - NO-SPIN REAR DRIVE STEER DIFFERENTIAL CARRIER ASSEMBLY	283
	7049000129	AXLE ASSEMBLY - NO-SPIN REAR DRIVE STEER HUB AND SHAFT GROUP	285

# Manitowoc Cranes MACHINE COMPONENT INDEX

Date: Dec 07, 2015

Rev: 0

<u>Model Number</u> RT60S		<u>Serial Number</u> 23609	
Item	Part	Description	Page
	7049000129	AXLE ASSEMBLY - NO-SPIN REAR DRIVE STEER BRAKE ASSEMBLY	289
	7049000129	AXLE ASSEMBLY - NO-SPIN REAR DRIVE STEER WEDGE ASSEMBLY	291
	7049000129	AXLE ASSEMBLY - NO-SPIN REAR DRIVE STEER FAILSAFE CHAMBER ASSEMBLY	293
	6372000585	CYLINDER ASSEMBLY - 5" LOCKOUT	295
	6372000485	CYLINDER ASSEMBLY - 3" STEER (COMPLETE ASSEMBLY)	297
6	2160100008	OUTRIGGER INSTALLATION	299
	6372000500	CYLINDER ASSEMBLY - EXTENSION	303
	6372001650	CYLINDER ASSEMBLY	305
9	2160800129	TRANSMISSION INSTALLATION	307
	7904000019	TRANSMISSION ASSEMBLY	309
	7904000019	TRANSMISSION ASSEMBLY	311
	7904000019	TRANSMISSION ASSEMBLY	315
	7904000019	TRANSMISSION ASSEMBLY	321
	7904000019	TRANSMISSION ASSEMBLY	323
	7904000019	TRANSMISSION ASSEMBLY	325
10	6414000079	ENGINE INSTALLATION - CUMMINS	329
	7356000009	TORQUE CONVERTER ASSEMBLY	335
	2160800031	RADIATOR AND OIL COOLER INSTALLATION (NOT AVAILABLE AS ASSEMBLY)	341
	2160800197	CLEANER ASSEMBLY - AIR	343
	2160800230	ENGINE HOOD AND GRILL ASSEMBLY	345
	7372000303	CYLINDER ASSEMBLY - THROTTLE	347
	2160800211	OIL PRESSURE CHECK POINT INSTALLATION - CLUTCH/LUB (NOT AVAILABLE AS ASSEMBLY)	349
	7722000035	PUMP ASSEMBLY - STEER	351
	6294000879	WIRING DIAGRAM	355

# Manitowoc Cranes MACHINE COMPONENT INDEX

Date: Dec 07, 2015

Rev: 0

<u>Model Number</u> RT60S		<u>Serial Number</u> 23609	
Item	Part	Description	Page
	7437000038	FILTER ASSEMBLY - OIL	357
12	2160800103	TANK AND TOOL BOX ASSEMBLY - FUEL	359
13	2160600176	AIR BRAKES & THRTL. LINES INSTA	361
	7926000207	VALVE ASSEMBLY - CHECK	367
17	2160800054	HYDRAULIC TANK INSTALLATION	369
	2158800005	HYDRAULIC RESERVOIR ASSEMBLY	371
18	2160800103	TANK AND TOOL BOX ASSEMBLY - FUEL	373
19	2160800218	MAIN AIR TANK INSTALLATION	375
	7926000323	VALVE ASSEMBLY - RELAY	377
	7926000216	VALVE ASSEMBLY - CHECK	379
	7926000205	VALVE ASSEMBLY - QUICK RELEASE	381
	7515000047	DRYER ASSEMBLY - AIR	383
20	2160100057	VALVE INSTALLATION - FRONT AND REAR (NOT AVAILABLE AS ASSEMBLY)	387
	7926000219	VALVE ASSEMBLY - 4 STACK OUTRIGGER SOLENOID	389
	7926000173	VALVE ASSEMBLY - OUTRIGGER SELECTOR (COMPLETE ASSEMBLY)	393
	7926000701	VALVE ASSEMBLY - RELIEF	397
23	2160700018	SHIFTER INSTALLATION - HI-LO	399
	7372000456	CYLINDER ASSEMBLY - AIR	401
	7926001061	VALVE ASSEMBLY - 3 WAY SOLENOID	403
27	2160800074	FILTER INSTALLATION - HYDRAULIC OIL	405
	7437000017	FILTER ASSEMBLY - OIL	407
28	2160600174	ELECTRIC TERMINAL BOX INST	409
29	2160700023	AXLE INSTALLATION - REAR AXLE LOCKOUT	411
	7926000756	VALVE ASSEMBLY - SELECTOR	413
30	2160600078	FRONT STEER RELIEF VALVE INSTALLATION	415

# Manitowoc Cranes MACHINE COMPONENT INDEX

Date: Dec 07, 2015

Rev: 0

<u>Model Number</u> RT60S		<u>Serial Number</u> 23609	
Item	Part	Description	Page
	7926000702	VALVE ASSEMBLY - RELIEF (SEE SEPARATE PARTS LIST)	417
41	2160600138	EMERGENCY AIR TANK INSTALLATION	419
42	2160600069	HYD.SHIFT TRANS.& TORQUE.LINE	421
43	2160600176	AIR BRAKES & THRTL. LINES INSTA	425
	7926000207	VALVE ASSEMBLY - CHECK	431
67	2160100047	LIGHTS AND TURNSIGNAL INSTALLATION	435
	2160100016	CLEARANCE LIGHTS & REFLECTOR INSTALLATION (NOT AVAILABLE AS ASSEMBLY)	437
70	6431000013	FENDERS INSTALLATION	439
78	2160700027	REAR STEER INDICATOR INSTALL	443
81	2160600194	SUPPLY, PRESSURE & RETURN INS	445
82	2160600173	OUTRIGGER HYD. SCHEMATIC	449
	7926000287	VALVE, PRESSURE RELIEF	453
83	2160600059	LINES INSTALL - REAR STEER HYD	455
84	2160600153	AXLE LOCKOUT & FRONT STEER HYD	457
		<b>SPECS/SCHEMATICS</b>	
11	6294000879	WIRING DIAGRAM	461
44	6294000339	WIRING DIAGRAM	463

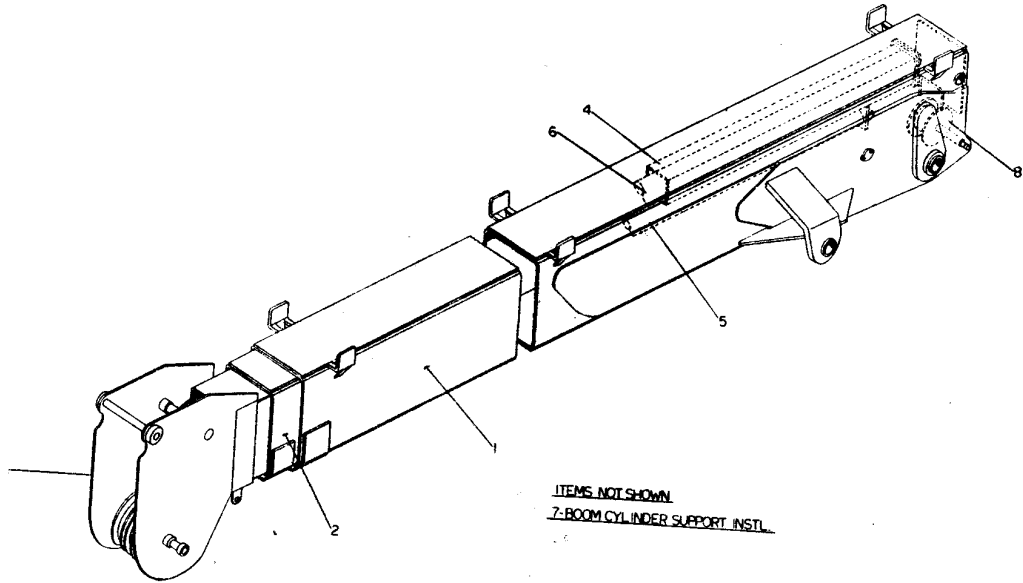


# ***Manitowoc Cranes***

Notes

---

# Manitowoc Cranes



# Manitowoc Cranes

Description

**BOOM ASSY.COMP. BASE SECTION**

Assembly No.

**6164000463**

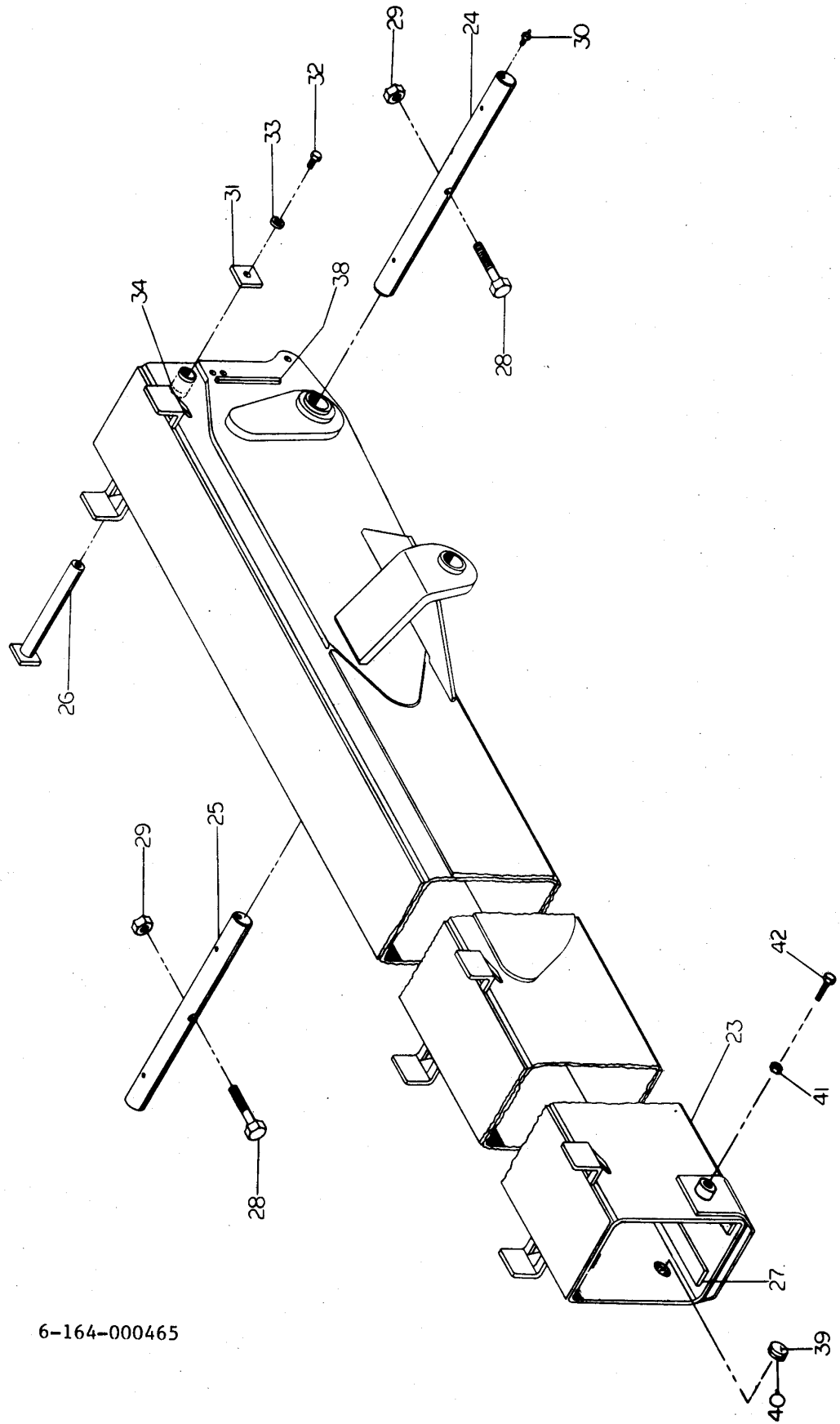
Revision:

Item	FN	Part	Qty	Description
1	+	6164000465	1	SECTION ASSEMBLY - BOOM BASE
2	+	2115900061	1	SECTION ASSEMBLY - BOOM MID
3	%	6164000557	1	BOOM NOSE/FLY SECTION
4	%	6176000175	1	BOX, CYLINDER
5	+	6372000824	1	CYLINDER ASSEMBLY - 4" TELESCOPE
6	+	6372000593	1	CYLINDER ASSEMBLY - 5" TELESCOPE
7	+	6869000119	1	CYLINDER SUPPORT INSTALLATION (NOT AVAILABLE AS ASSEMBLY)
8	%	6718000116	1	HOSE SHEAVE AND REAR BOOM COVER INSTALLATION

+ SEE FURTHER BREAKDOWN THIS GROUP

% SEE NOTE AT END OF LIST

# Manitowoc Cranes



6-164-000465

# Manitowoc Cranes

Description

**SECTION ASSEMBLY - BOOM BASE**

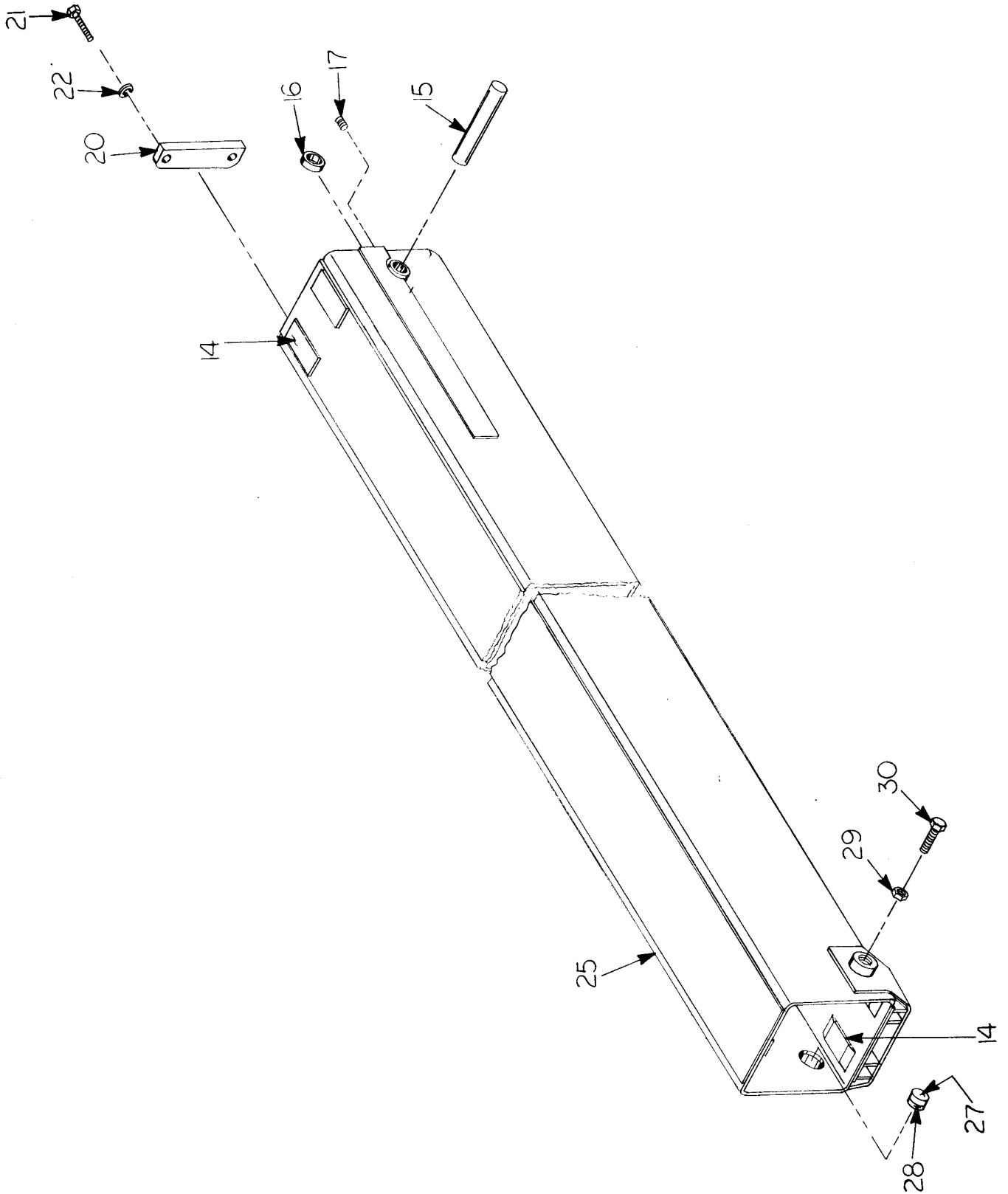
Assembly No.

**6164000465**

Revision:

Item	FN	Part	Qty	Description
23		6164000466	1	BOOM BASE SECTION
24		6810000995	1	SHAFT, TAPPED
25		6810000996	1	SHAFT, DOUBLE TAPPED
26		6810000624	1	SHAFT, HEADED
27		6671000013	2	PAD, WEAR
28		7115264450	2	CAP SCREW, 1" - 8 N.C. X 5 1/2" GRADE 5
29		7660261600	2	LOCKNUT 1" - 8 N.C.
30		7440000000	4	FITTING, 1/8 STRAIGHT GREASE
31		6258000123	1	CAP, END
32		7112180850	1	CAP SCREW, 1/2" - 13 N.C. X 1" GRADE 5
33		7950180050	1	WASHER, LOCK 1/2" I.D.
34		6207200806	2	BUSHING
38		6570167200	2	KEY STOCK
39		6671000077	2	PAD, SIDE WEAR
40		6705004262	2	PLATE
41		7660260200	2	NUT, HEX JAM 1" - 8 N.C.
42		7112262050	2	BOLT, HEX 1"-8 NC X 2 1/2" - GRD 2

# Manitowoc Cranes



# Manitowoc Cranes

Description

**SECTION ASSEMBLY - BOOM MID**

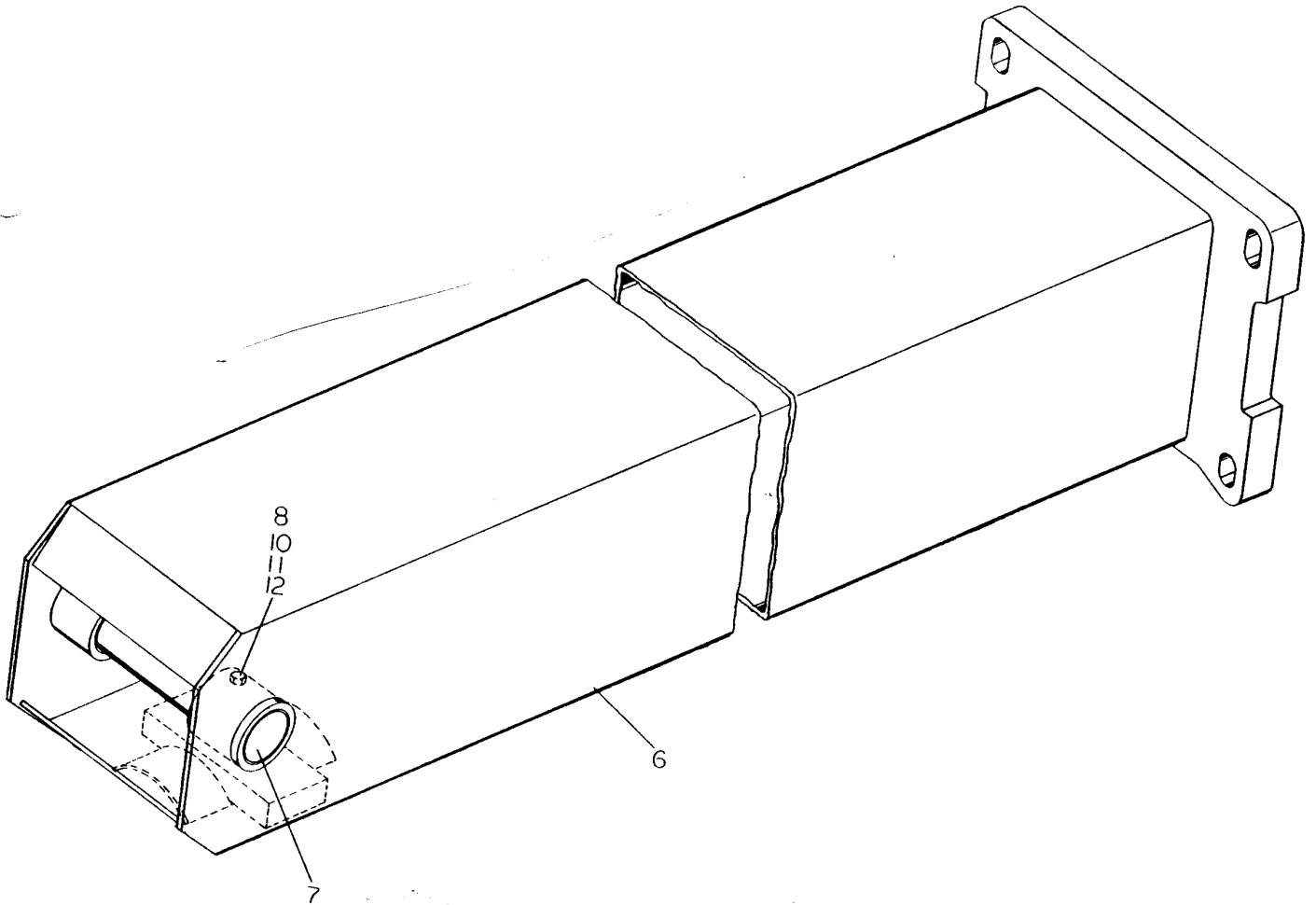
Assembly No.

**2115900061**

Revision:

Item	FN	Part	Qty	Description
14		6671000013	4	PAD, WEAR
15		6810000667	1	SHAFT
16		6207180821	2	BUSHING USE WITH 4" TELESCOPE CYLINDER - 6-372-000651
16		6199000631	2	BUSHING USE WITH 4" TELESCOPE CYLINDER - 6-372-000824
17		7785160590	2	SET SCREW 3/8" - 16 N.C. X 5/16"
20		6300000084	2	CLAMP
21		7118202850	4	CAP SCREW, 5/8" - 11 N.C. X 3 1/2" GRADE 8
22		7950200050	4	WASHER, 5/8" I.D. LOCK
25		2115900060	1	BOX, MID BOOM
27		6671000077	2	PAD, SIDE WEAR
28		6705004262	2	PLATE
29		7660260200	2	NUT, HEX JAM 1" - 8 N.C.
30		7115262050	2	CAP SCREW, 1" - 8 N.C. X 2 1/2" GRADE 5

# Manitowoc Cranes





# Manitowoc Cranes

Description

**BOX, CYLINDER**

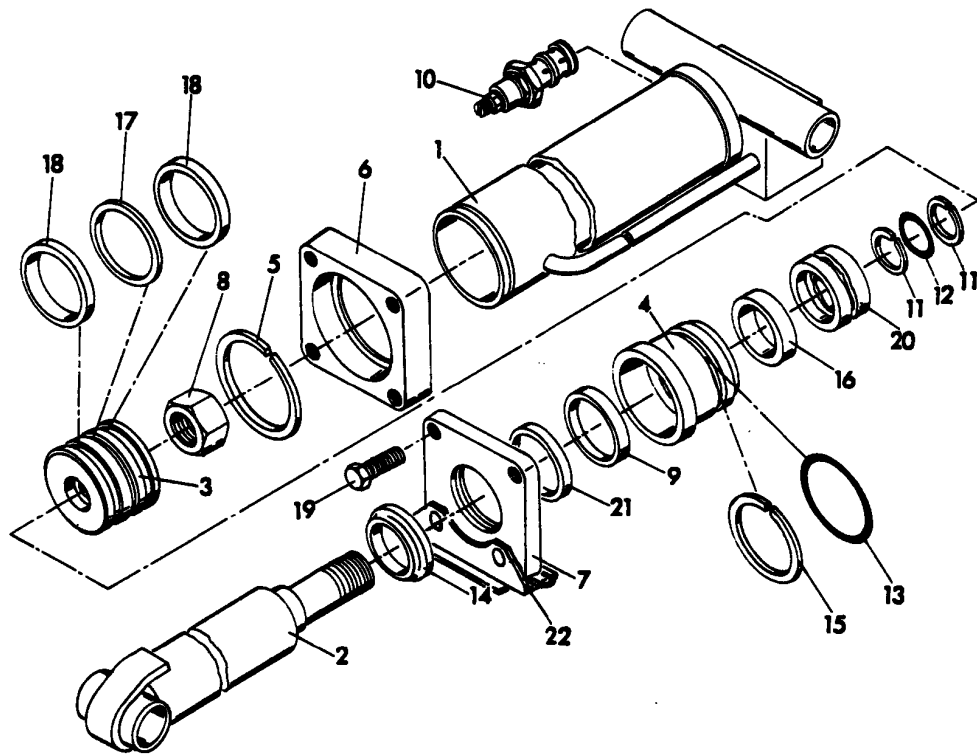
Assembly No.

**6176000175**

Revision:

Item	FN	Part	Qty	Description
6		6176000174	1	BOX, CYLINDER
7		6810000181	1	SHAFT
8		7115142450	1	CAP SCREW, 1/4" - 20 N.C. X 3" GRADE 5
10		7950140141	1	WASHER, FLAT 1/4" PLAIN NARROW
11		7950140050	1	WASHER, LOCK 1/4"
12		7660140000	1	NUT, HEX 1/4" - 20 N.C.

# Manitowoc Cranes



# Manitowoc Cranes

Description  
**CYLINDER ASSEMBLY - 4" TELESCOPE**

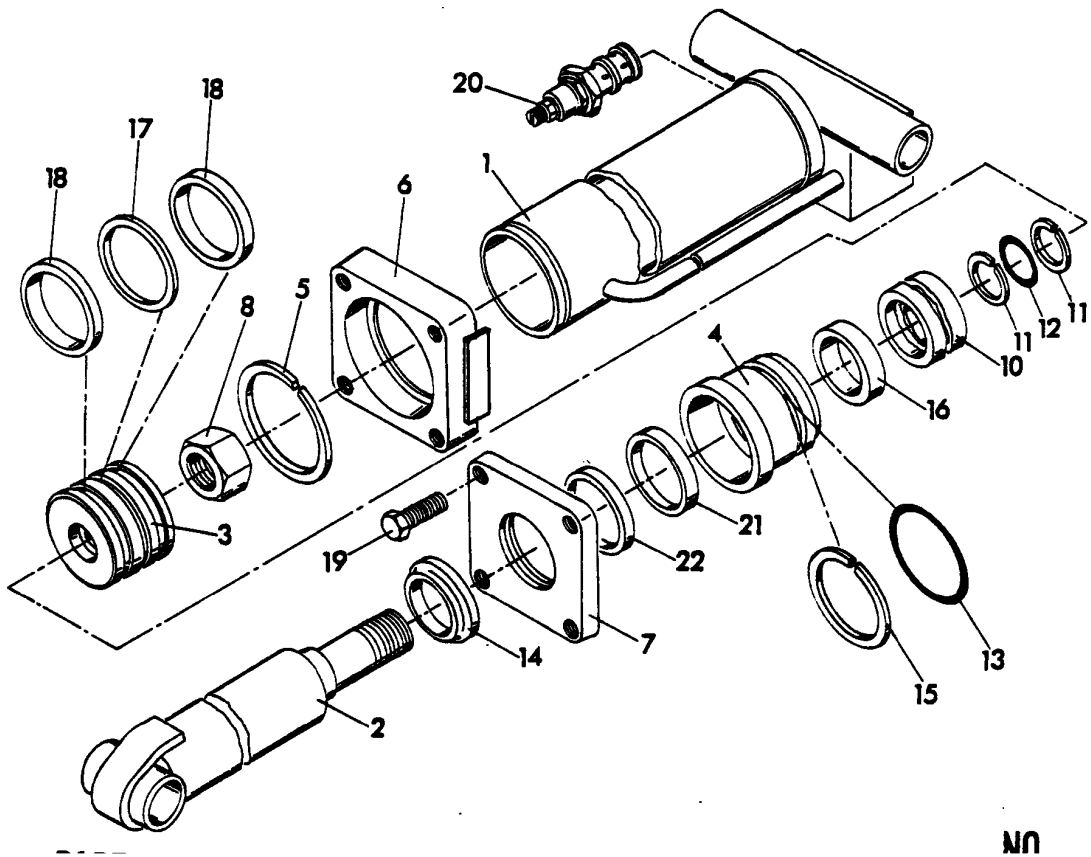
Assembly No.  
**6372000824**  
 Revision: **F**

Item	FN	Part	Qty	Description
1		6372001395	1	BARREL
2		6768000322	1	ROD,CYL
3		6701000084	1	PISTON
4		6372000826	1	HEAD
5		6753000017	1	RING, LOCK
6		6753000022	1	RING, RETAINING
7		6372001514	1	PLATE, HEAD
8		7660340030	1	NUT, HEX 1 1/2" - 12 N.F.
9	*	7794000256	1	SEAL, ROD
10	+	7926000154	1	VALVE,HOLDING 3/8 X 1/2 W/PILO INCLUDES THE FOLLOWING PARTS
	+	9926112122	1	KIT,SEAL
11	*	7755325609	2	RING, BACK-UP
12	*	7755325000	1	O-RING
13	*	7755342000	1	O-RING
14	*	7794000277	1	RING, WIPER
15	*	7755342609	1	RING, BACK-UP
16	*	7753000218	1	RING, WEAR
17	*	7753000114	1	RING, GT
18	*	7753000118	2	RING, WEAR
19		7105201650	4	CAP SCREW, 5/8" - 18 N.F. X 2" GRADE 5
20		6910000838	1	SPACER
21	*	6753000220	1	RING, BACK-UP
22		6869000120	1	SKID, CYL HEAD
23	*	9752100114	1	KIT, REPAIR

\* REPAIR KIT AND/OR PART OF KIT

+ SEE FURTHER BREAKDOWN THIS GROUP

# Manitowoc Cranes



MM

# Manitowoc Cranes

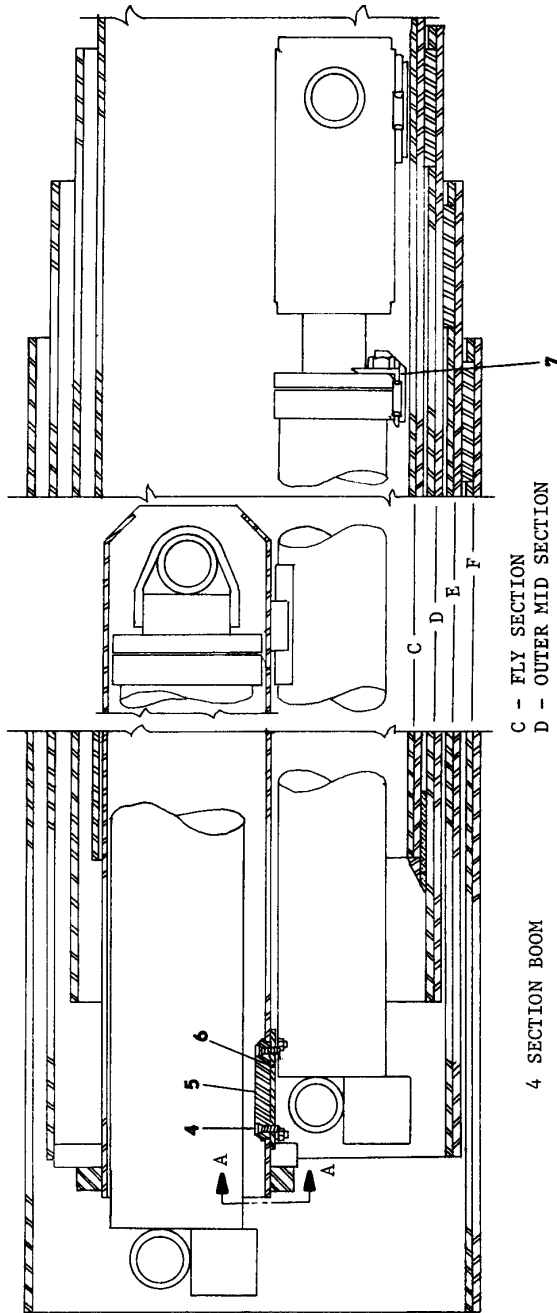
Description  
**CYLINDER ASSEMBLY - 5" TELESCOPE**

Assembly No.  
**6372000593**  
 Revision: H

Item	FN	Part	Qty	Description
1		6372001365	1	BARREL
2		6810000176	1	ROD, CYLINDER
3		6701000085	1	PISTON
4		6372000567	1	HEAD
5		6753000018	1	RING, LOCK
6		6753000403	1	RING, RETAINING
7		6705000221	1	PLATE, HEAD
8		7660341630	1	LOCKNUT 1 1/2" - 12 N.F.
10		6768000224	1	SPACER, ROD
11	*	7755325609	2	RING, BACK-UP
12	*	7755325000	1	O-RING
13	*	7754000135	1	O-RING, LOW TEMPERATURE
14	*	7794000022	1	SEAL, SCRAPER
15	*	7755425609	1	RING, BACK-UP
16	*	7753000148	1	RING, WEAR
17	*	7753000115	1	RING, GT
18	*	7753000119	2	RING, GT WEAR
19		7105221850	4	CAP SCREW, 3/4" -16 N.F. X 2 1/4" GRADE 5
20		7926000154	1	VALVE,HOLDING 3/8 X 1/2 W/PILO INCLUDES THE FOLLOWING PARTS
		9926112122	1	KIT,SEAL
21	*	7794000002	1	SEAL, "U" CUP ROD
22	*	6753000145	1	RING, BACK-UP
23	*	9752100076	1	KIT, REPAIR

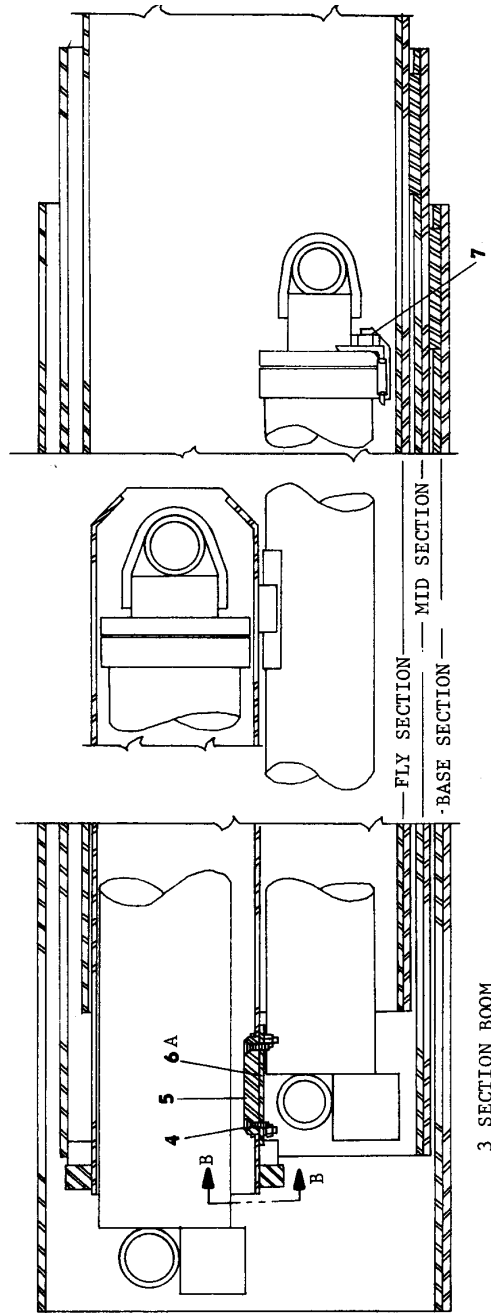
\* REPAIR KIT AND/OR PART OF KIT

# Manitowoc Cranes



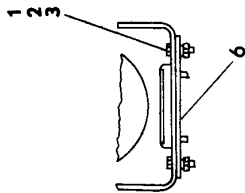
C - FLY SECTION  
 D - OUTER MID SECTION  
 E - INNER MID SECTION  
 F - BASE SECTION

4 SECTION BOOM

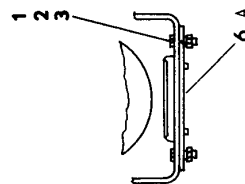


FLY SECTION — MID SECTION —  
 BASE SECTION

3 SECTION BOOM



VIEW A-A



VIEW B-B

# Manitowoc Cranes

Description

**CYLINDER SUPPORT INSTALLATION (NOT AVAILABLE AS ASSEMBLY)**

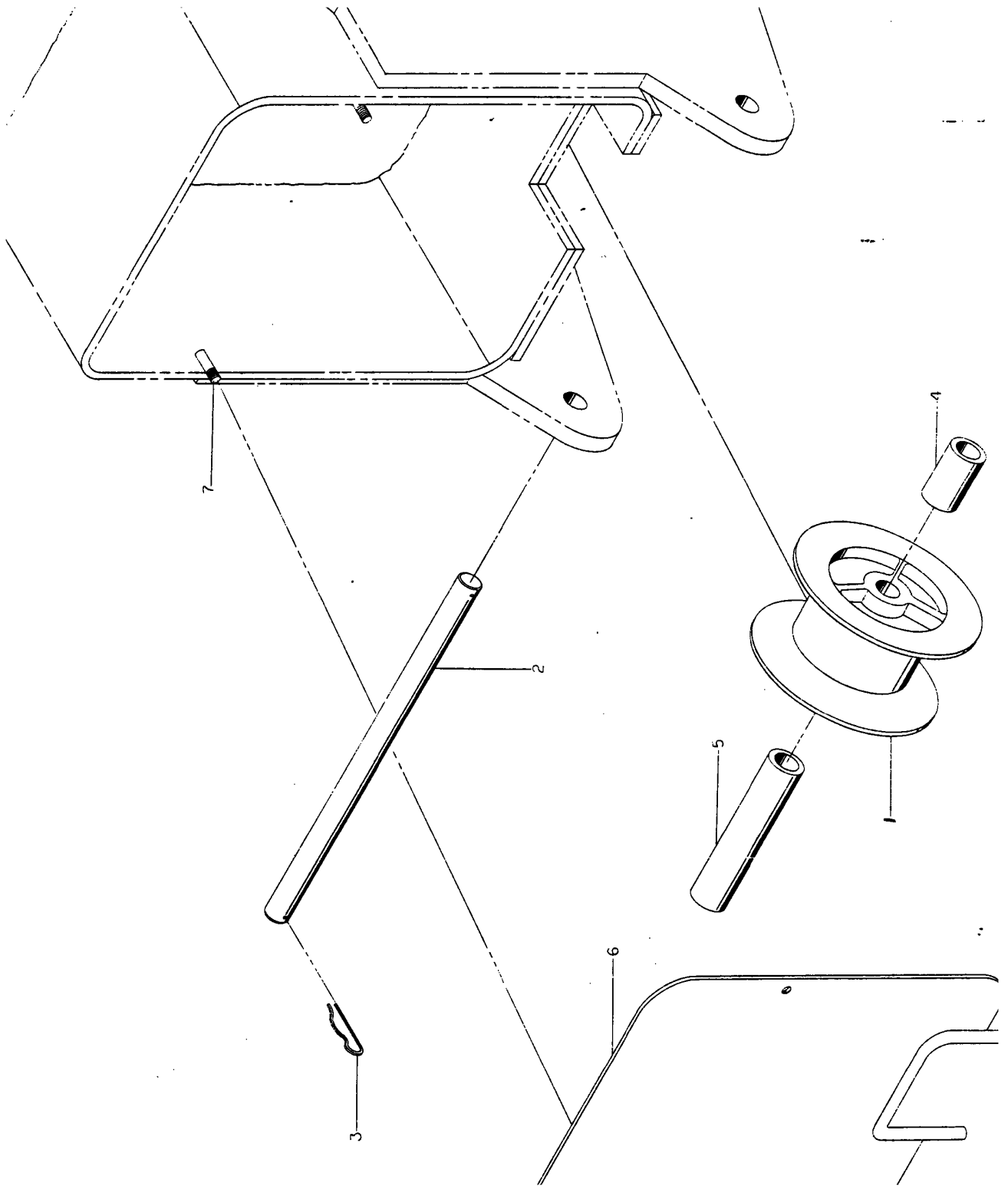
Assembly No.

**6869000119**

Revision: **A**

Item	FN	Part	Qty	Description
1		7115140550	4	CAP SCREW, 1/4" - 20 N.C. X 5/8" GRADE 5
2		7950140050	4	WASHER, LOCK 1/4"
3		7660140000	4	NUT, HEX 1/4" - 20 N.C.
4		7111140607	4	SCREW, MACHINE 1/4" - 20 N.C. X 3/4" GRADE 1
5		6671000052	1	PAD, WEAR
6		6705002394	1	PLATE, SUPPORT USE ON 4-SECTION BOOM
6		6705002395	1	FLATWASHER USE ON 3-SECTION BOOM
7		6869000120	1	SKID, CYL HEAD

# Manitowoc Cranes





# Manitowoc Cranes

Description

**HOSE SHEAVE AND REAR BOOM COVER INSTALLATION**

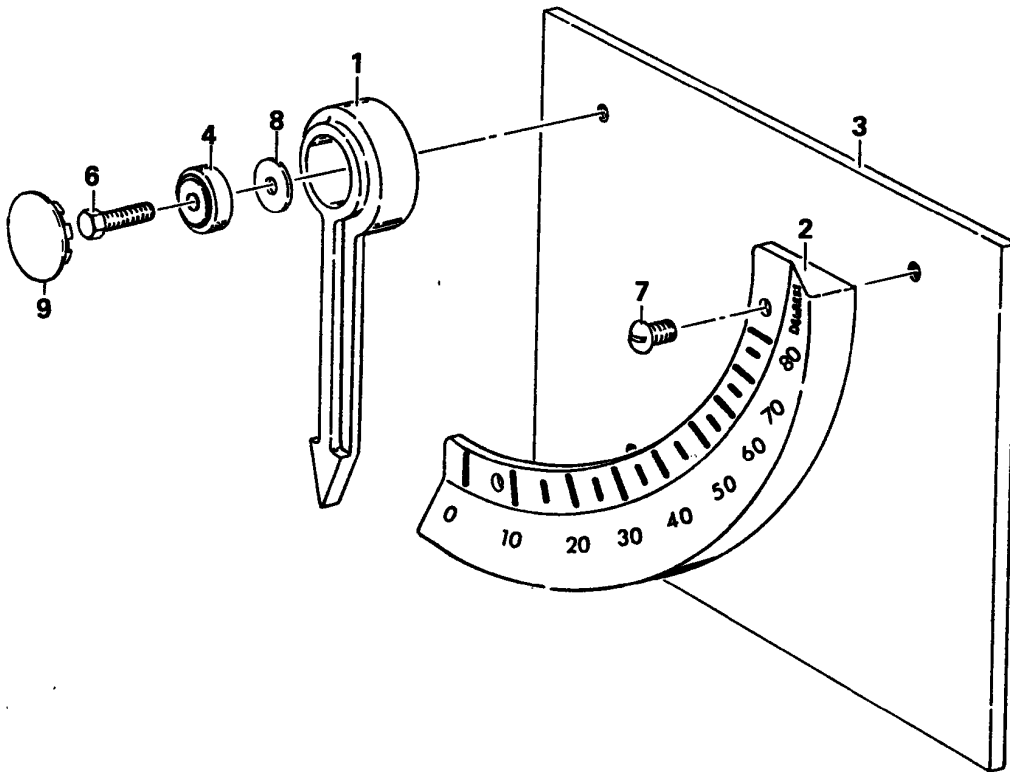
Assembly No.

**6718000116**

Revision: **A**

Item	FN	Part	Qty	Description
1		6718000018	1	SHEAVE, HOSE
2		6810001050	1	SHAFT
3		7689000053	2	PIN, CLIP
4		6208120818	1	BUSHING
5		6208120851	1	BUSHING
6		2160900013	1	COVER ASSEMBLY
7		6865161030	2	STUD
8		7660162100	2	NUT, WING 3/8" - 16 N.C.

# Manitowoc Cranes



# Manitowoc Cranes

Description

**ELEVATION INDICATOR - LEFT HAND BOOM**

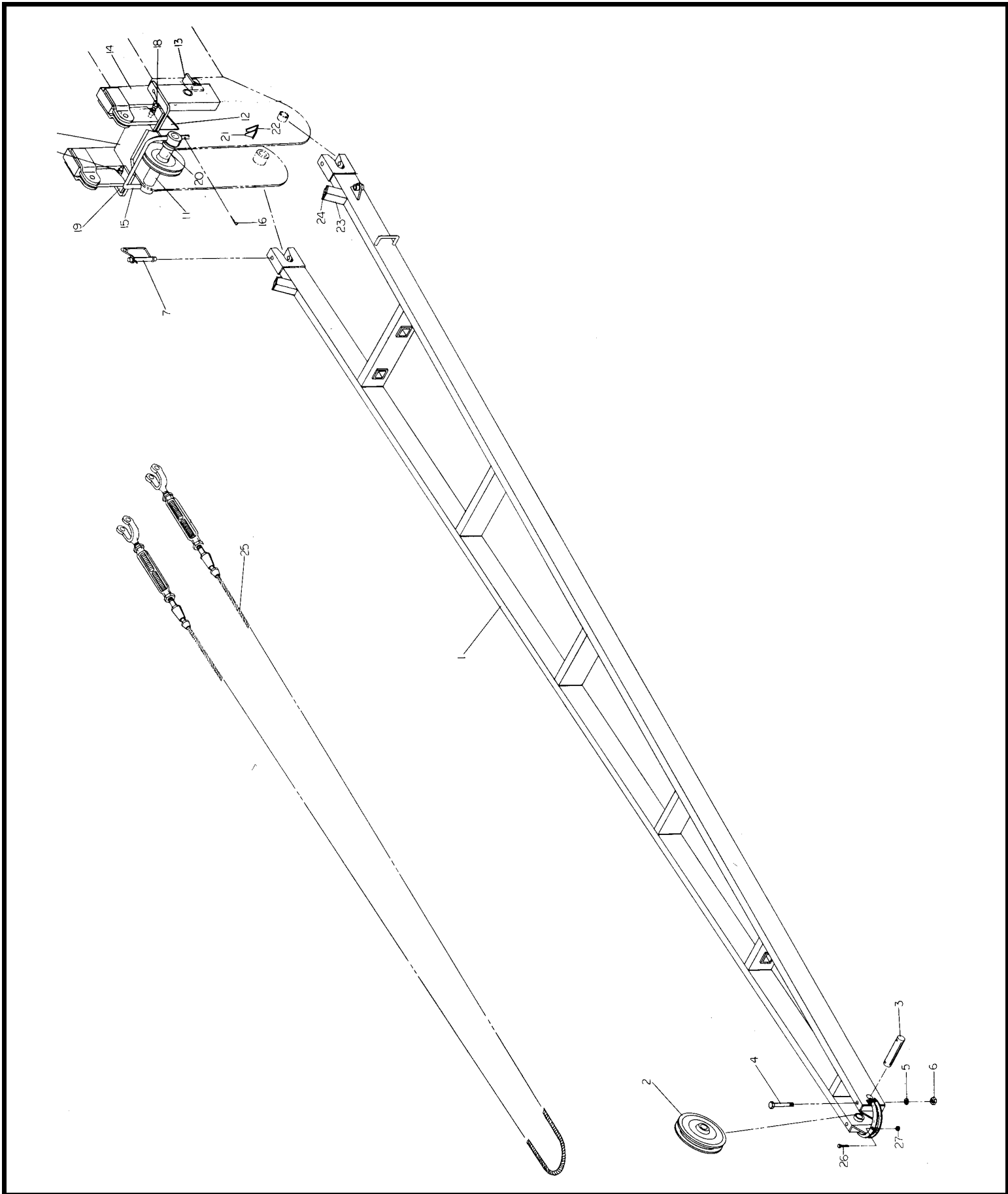
Assembly No.

**6486000053**

Revision: **G**

Item	FN	Part	Qty	Description
1		6486000050	1	INDICATOR, ELEVATION - POINTER
2		6486000357	1	INDICATOR, BOOM ELEVATION - LH
3		6705000711	1	PLATE, MOUNTING
4		7069000105	1	BEARING
6		7115140550	1	CAP SCREW, 1/4" - 20 N.C. X 5/8" GRADE 5
7		7111140310	2	SCREW, MACHINE 1/4" - 20 N.C. X 3/8" GRADE 1
8		7950140161	1	WASHER, 1/4" I.D. FLAT WIDE
9		7242000021	1	PLUG, 1" BUTTON

# Manitowoc Cranes



2160900024

(SHEET 1 OF 1)

# Manitowoc Cranes

Description

**JIB INSTALLATION - 23' CABLE SUSPENDED**

Assembly No.

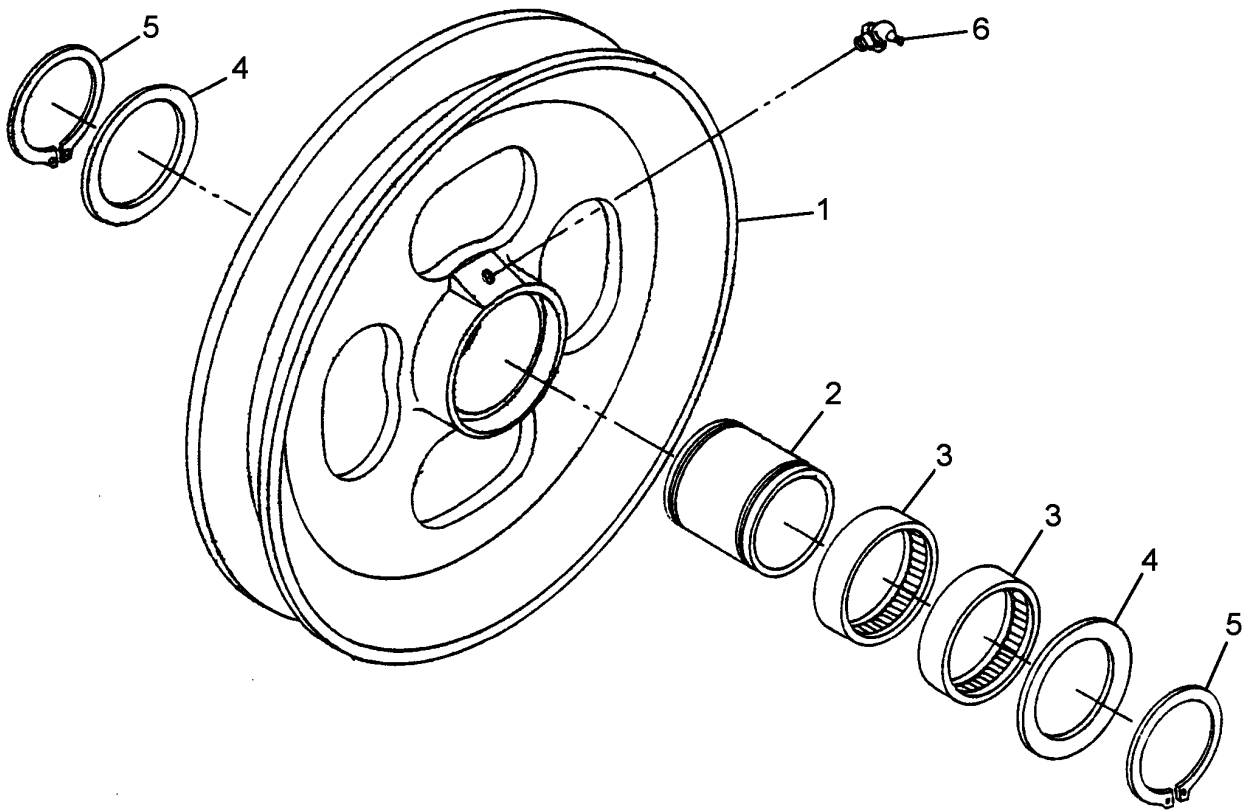
**2160900024**

Revision:

Item	FN	Part	Qty	Description
1		2160900025	1	JIB, 23 FT
2	+	6718000092	2	SHEAVE WHEEL ASSEMBLY
3		4122900113	1	SHAFT
4		7115165250	1	CAP SCREW, 3/8"-16UNC X 6.5
5		7950160050	1	WASHER, LOCK 3/8" I.D.
6		7660160000	1	NUT, HEX 3/8" - 16 N.C.
7		7689000074	2	PIN, SNAP LOCK
10		4123900190	1	PLATE, STOP
11		4155900007	1	SHAFT
12		6842000191	2	GUSSET
13		6030000373	2	ANGLE
14		2123900100	2	MAST, CABLE SUPPORT
15		2155900009	1	RETAINER, CABLE
16		7689000053	2	PIN, CLIP
17		6207080808	6	BUSHING
18		7689000096	2	PIN, W/LANYARD
19		6705001431	2	PLATE, SPACER
20		6205200833	2	BUSHING
21		6842000406	4	GUSSET
22		6705002759	2	PLATE
23		6180000105	2	BRACE, TUBE
24		6705002466	2	PAD
25	+	6246000391	1	CABLE ASSEMBLY
26		7115161650	3	CAP SCREW, 3/8" - 16 N.C. X 2" GRADE 5
27		7660161600	3	LOCKNUT, HEX 3/8" - 16 N.C.

+ SEE FURTHER BREAKDOWN THIS GROUP

# Manitowoc Cranes



# Manitowoc Cranes

Description

**SHEAVE WHEEL ASSEMBLY**

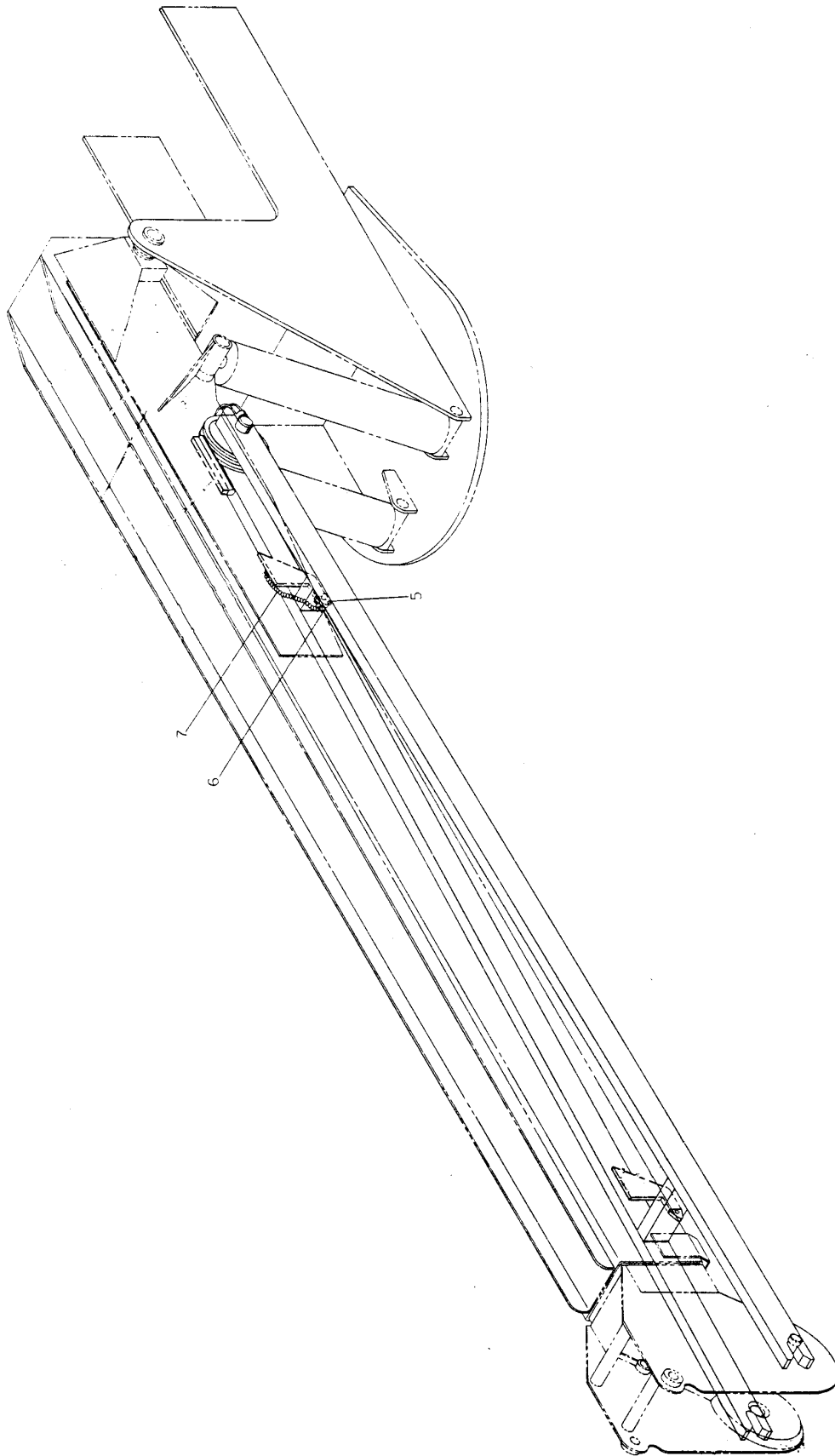
Assembly No.

**6718000092**

Revision: #

Item	FN	Part	Qty	Description
1		6718000076	1	SHEAVE
2		7069000138	1	RACE, BEARING (1 PER SHEAVE)
3		7069000137	2	BEARING, NEEDLE (2 PER SHEAVE)
4		7949000162	2	WASHER, NEEDLE BEARING (2 PER SHEAVE)
5		7753000156	2	RING, SNAP (2 PER SHEAVE)
6		7440000300	1	FITTING, 65 DEGREE GREASE (1 PER SHEAVE)

# Manitowoc Cranes





# Manitowoc Cranes

Description

**JIB CARRIER INSTALLATION**

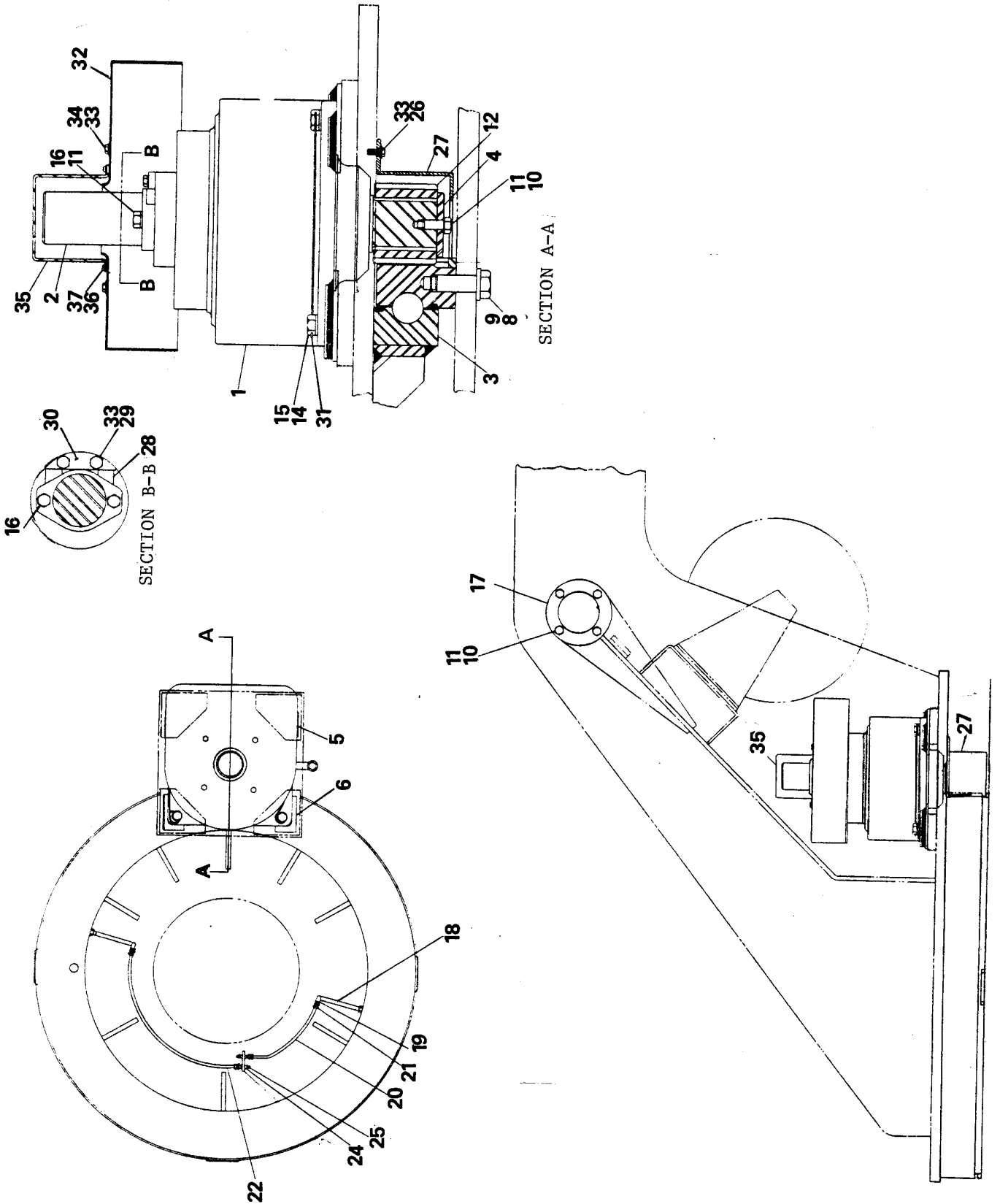
Assembly No.

**2104900027**

Revision:

Item	FN	Part	Qty	Description
5		6689000035	1	PIN, JIB CARRIER
6		7689000036	1	PIN, CLIP
7		9286100001	1	CHAIN 3' PC. ( MUST CUT TO LENGTH NEEDED )

# Manitowoc Cranes



# Manitowoc Cranes

Description

**T/T DRIVE ASSEMBLY**

Assembly No.

**2160200036**

Revision:

Item	FN	Part	Qty	Description
1	+	6176000216	1	BOX ASSEMBLY - SWING
2	+	7632000041	1	MOTOR ASSEMBLY - ORBIT
3		7069000253	1	BEARING
4		6258000277	1	CAP, END
8		7118262250	18	CAP SCREW, 1" - 8 N.C. X 2 3/4" GRADE 8
9		7949000238	18	WASHER, HARDENED ROUND
10		7115181050	9	CAP SCREW, 1/2" - 13 N.C. X 1 1/4" GRADE 5
11		7950180050	11	WASHER, LOCK 1/2" I.D.
12		6490000041	1	PINION, DRIVE
14		6099000155	4	CAP SCREW, SAFETY WIRE
15		6949000185	4	FLATWASHER
16		7115181250	2	CAP SCREW, 1/2" - 13 N.C. X 1 1/2" GRADE 5
17		2115200014	2	BEARING INCLUDES THE FOLLOWING PARTS
		7199000399	1	BUSHING, BRASS
18		7543000053	2	HOSE ASSY, USE AS REQUIRED
19		7444010170	2	ELBOW, 90 DEGREE STREET
20		6911041121	1	TUBING - USE 9910100014 QTY 1 TUBING 14"
21		7364000034	4	CONNECTOR, MALE
22		6911041761	1	TUBE - USE 9910100014 QTY 1 TUBING 22"
24		7444000140	2	COUPLING
25		7440000400	2	FITTING, 90 DEGREE GREASE
26		7115160850	3	CAP SCREW, 3/8" - 16 N.C. X 1" GRADE 5
27		7814000116	1	GUARD, PINION
28		6705001786	2	PLATE, WEDGE
29		7115161050	2	CAP SCREW, 3/8" - 16 N.C. X 1 1/4"

+ SEE FURTHER BREAKDOWN THIS GROUP

# Manitowoc Cranes

Description

**T/T DRIVE ASSEMBLY**

Assembly No.

**2160200036**

Revision:

Item	FN	Part	Qty	Description
30		6705001787	1	GRADE 5 PLATE, STOP
31		6978000257	1	WIRE, SAFETY
32	+	6258000257	1	BRAKE COVER ASSEMBLY
33		7950160050	9	WASHER, LOCK 3/8" I.D.
34		7660160000	4	NUT, HEX 3/8" - 16 N.C.
35		7258000281	1	COVER, MOTOR
36		7790080682	4	SCREW, SELF-TAPPING
37		7950100161	4	FLATWASHER, 3/16" I.D.

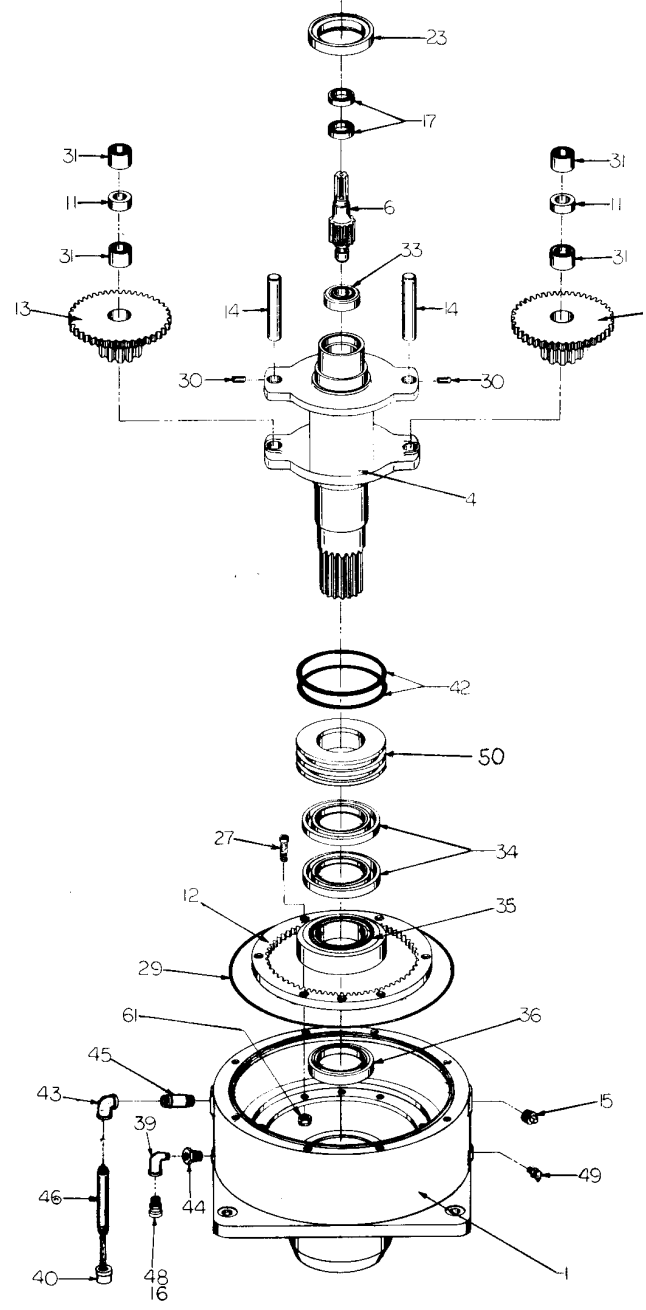
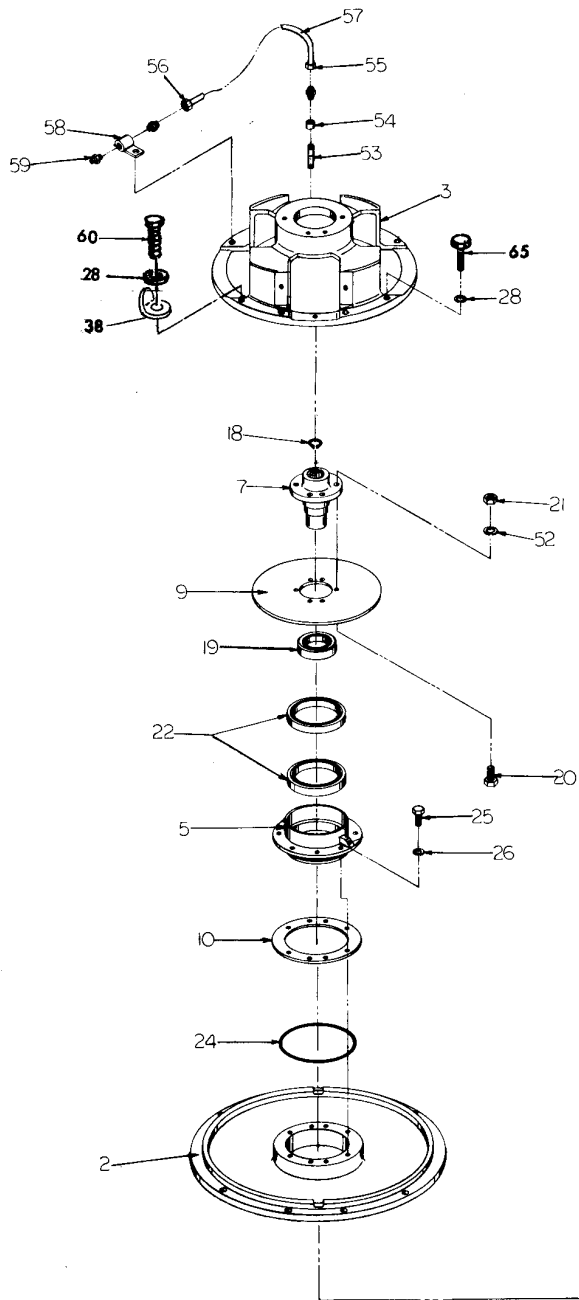
+ SEE FURTHER BREAKDOWN THIS GROUP

# ***Manitowoc Cranes***

Notes

---

# Manitowoc Cranes



# Manitowoc Cranes

Description

**BOX ASSEMBLY - SWING**

Assembly No.

**6176000216**

Revision:

Item	FN	Part	Qty	Description
1		6547000086	1	HOUSING, GEAR
2		6258000253	1	COVER, GEAR HOUSING
3		6869000123	1	SUPPORT, MOTOR
4		6250000010	1	PLANET CAGE AND SHAFT
5		6910000949	1	SPACER
6		6810001044	1	PINION AND SHAFT
7		6364000390	1	COUPLING
9		6176000076	1	DISC, BRAKE
10		6705002675	1	SHIM,
11		6910000951	2	SPACER
12		6490000039	1	GEAR, INTERNAL
13		6490000040	2	PLANET GEAR AND PINION
14		6810001045	2	SHAFT, PLANET
15		7444040021	1	PLUG, PIPE 1/2" N.P.T.
16		7444010010	1	PLUG, PIPE 1/8" N.P.T.
17		7794000267	2	SEAL, PINION AND SHAFT
18		7753000230	1	RING, INTERNAL RETAINING
19		7069000108	1	BEARING
20		7115140650	6	CAP SCREW, 1/4" - 20 N.C. X 3/4" GRADE 5
21		7660140008	6	NUT, HEX 1/4" - 20 N.C.
22		7794000268	2	SEAL
23		7069000109	1	BEARING, PLANET CAGE AND SHAFT
24		7755247000	1	O-RING, RETURN FILTER
25		7115150750	8	CAP SCREW, 5/16" -18 N.C. X 7/8" GRADE 5
26		7950150050	8	WASHER, LOCK 5/16" I.D.
27		7110181605	8	CAP SCREW, 1/2" - 13 N.C. X 2" GRADE 1
28		7950180050	8	WASHER, LOCK 1/2" I.D.
29		6755644507	1	CORD, O-RING

# Manitowoc Cranes

Description

**BOX ASSEMBLY - SWING**

Assembly No.

**6176000216**

Revision:

Item	FN	Part	Qty	Description
30		7690141445	2	PIN, ROLL 1/4" X 7/8"
31		7069000111	4	BEARING, PLANET SHAFT, SWING BOX
33		7069000107	1	BEARING
34		7794000269	2	SEAL
35		7069000181	1	BEARING
36		7794000270	1	SEAL
38		6608000234	2	LUG, LIFTING
39		7444010170	1	ELBOW, 90 DEGREE STREET
40		6486000675	1	DIPSTICK USE ON 24 IND,RT48/49, RT58/58A,RT59P/60
40		6486000677	1	DIPSTICK USE ON IND 68 AND 1012
40		6486000674	1	DIPSTICK USE ON RT60S
42		7755358000	2	O-RING
43		7444000460	1	ELBOW, 90 DEGREE
44		7444040150	1	BUSHING, HEX REDUCING
45		6650040160	1	NIPPLE, 1/2"
46		6650040640	1	PIPE 1/2" USE ON ALL MODELS EXCEPT RT48/49,RT58/58A
46		6650040720	1	NIPPLE USE ON RT48/49,RT58/58A, RT59P/60,36 IND
46		6650041040	1	NIPPLE USE ON IND 68 AND 1012 ONLY
48	#	7934000007	1	VENT, AIR
49		7440000400	1	FITTING, 90 DEGREE GREASE
50		6794000266	1	RETAINER, SEAL
52		7950140050	6	WASHER, LOCK 1/4"
53		6649000037	1	NIPPLE
54		7444000140	1	COUPLING
55		7364000034	1	CONNECTOR, MALE USE ON RT59S/60S,

# SERVICED AS AN ASSEMBLY ONLY



# Manitowoc Cranes

Description

**BOX ASSEMBLY - SWING**

Assembly No.

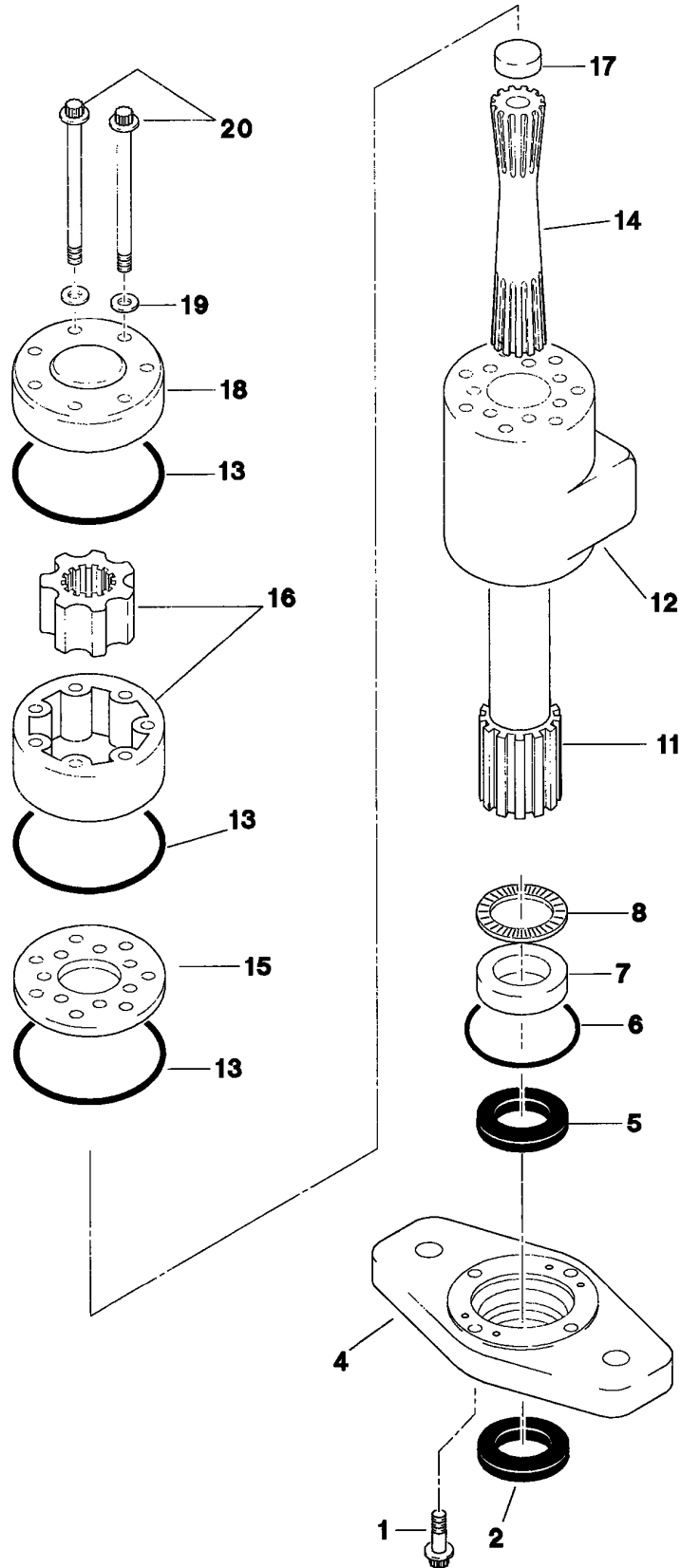
**6176000216**

Revision:

Item	FN	Part	Qty	Description
55		<b>7444010010</b>	1	TM155/180,TMS100/155/180, TM100C,TD155/180,RT59P PLUG, PIPE 1/8" N.P.T. USE ON RT48/49,RT58/58A, RR60,IND 36,68 AND 1012
56	%	<b>7364000052</b>	1	CONNECTOR
57	%	<b>6911040961</b>	1	TUBE USE 9910100014 QTY 1 TUBE 1 FOOT
58	%	<b>6184000269</b>	1	BRACKET USE ON RT59P
59	%	<b>7440010000</b>	1	FITTING, STRAIGHT GREASE 1/4" N.P.T.
60		<b>7115181850</b>	2	CAP SCREW, 1/2" - 13 N.C. X 2 1/4" GRADE 5
61		<b>7660181703</b>	8	LOCKNUT 1/2"-13 NC - GRD C
62		<b>7790040404</b>	4	SCREW, SELF-TAPPING 7/64" -40 N.C. X 1/4"
63		<b>6705002402</b>	1	NAMEPLATE
65		<b>7115181650</b>	6	CAP SCREW, 1/2"-13UNCX2"LONG

% SEE NOTE AT END OF LIST

# Manitowoc Cranes



# Manitowoc Cranes

Description

**MOTOR ASSEMBLY - ORBIT**

Assembly No.

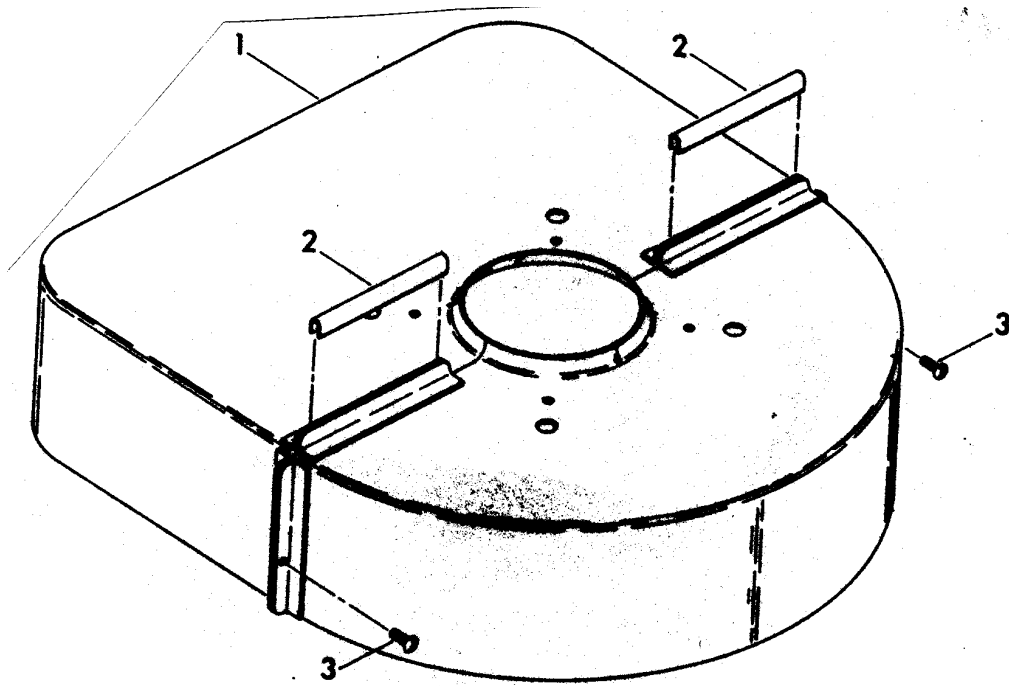
**7632000041**

Revision:

Item	FN	Part	Qty	Description
1		9632100046	4	CAP SCREW, 5/16" -24 N.F. X 7/8"
2	*	9632100256	1	SEAL, DUST
4		9632100257	1	FLANGE
5	*	9632100258	1	SEAL
6	*	9632100006	1	O-RING
7		9632100259	1	RACE, BEARING
8		9632100260	1	BEARING, NEEDLE
11		9632100261	1	SHAFT, SPLINE SPLINED
12		9632100262	1	HOUSING 1/2" NPTF PORTS
13	*	9632100058	3	O-RING
14		9632100015	1	DRIVE
15		9632100263	1	PLATE, SPACER
16		9632100268	1	GEROTOR SET
17		9632100269	1	SPACER (.480")
18		9632100266	7	CAP, END
19	*	9632100052	7	WASHER,
20		9632100142	1	SCREW,
21	*	9632100267	1	REPAIR KIT - ORBIT MOTOR

\* REPAIR KIT AND/OR PART OF KIT

# Manitowoc Cranes



# Manitowoc Cranes

Description

**BRAKE COVER ASSEMBLY**

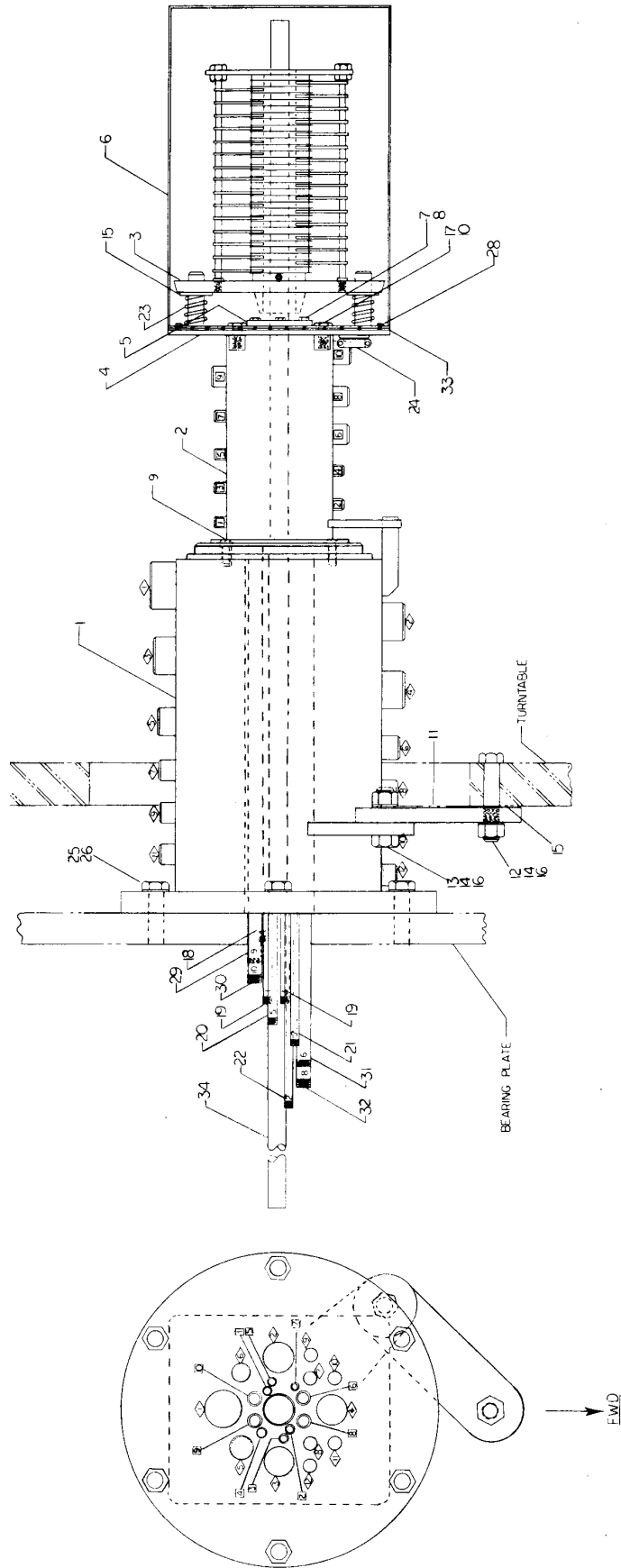
Assembly No.

**6258000257**

Revision: **A**

Item	FN	Part	Qty	Description
1		6258000258	1	COVER WELD,BRAKE
2		6290000181	2	U-CHANNEL
3		7790080682	2	SCREW, SELF-TAPPING

# Manitowoc Cranes



# Manitowoc Cranes

Description

**SWIVEL INSTALLATION**

Assembly No.

**2160900027**

Revision:

Item	FN	Part	Qty	Description
1	+	7364000285	1	SWIVEL ASSEMBLY - 12 PORT
2	+	7364000286	1	SWIVEL ASSEMBLY - 10 PORT
3	+	7753000128	1	RING ASSEMBLY - SLIP
4		6705001365	1	PLATE, MOUNTING
5		6714000017	1	RING, CENTER POST SLIP
6		6753000101	1	COVER
7		7111140650	4	CAP SCREW, 1/4" - 20 N.C. X 3/4" GRADE 1
8		7950140000	4	WASHER, LOCK 1/4" I.D.
9		7115160805	6	CAP SCREW, 3/8" - 16 N.C. X 1" GRADE 5
10		7950160000	4	WASHER, LOCK 3/8" I.D.
11		6601000023	1	LINK, SWIVEL
12		7105223050	1	3/4" - 16 NF X 3 3/4" - GRADE 5
13		7105221850	1	CAP SCREW, 3/4" - 16 N.F. X 2 1/4" GRADE 5
14		7660220030	2	NUT, HEX 3/4" - 16 N.F.
15		7950220141	3	WASHER, FLAT 3/4"
16		7950220000	2	LOCKWASHER, 3/4" I.D.
17		7111160850	4	CAP SCREW, 3/8" - 16 N.C. X 1" GRADE 1
18		6650012085	1	PIPE
19		6650012245	2	PIPE
20		6650012325	1	PIPE
21		6650012405	1	PIPE
22		6650012645	1	PIPE
23		7834000011	2	SPRING
24		7364000198	1	CONNECTOR
25		7111204650	6	OBSOLETED BY 7112204650

+ SEE FURTHER BREAKDOWN THIS GROUP

# Manitowoc Cranes

Description

**SWIVEL INSTALLATION**

Assembly No.

**2160900027**

Revision:

Item	FN	Part	Qty	Description
26		7950200000	6	LOCKWASHER, 5/8" I.D.
28		7790100873	4	SCREW, SELF-TAPPING 3/16" - 24 N.C. X 1/2"
29		6650032085	1	PIPE
30		6650032165	1	PIPE
31		6650032485	1	PIPE
32		6650032565	1	PIPE
33		7794000129	1	SEAL
34		7978000240	1	HARNES, CONDUCTOR

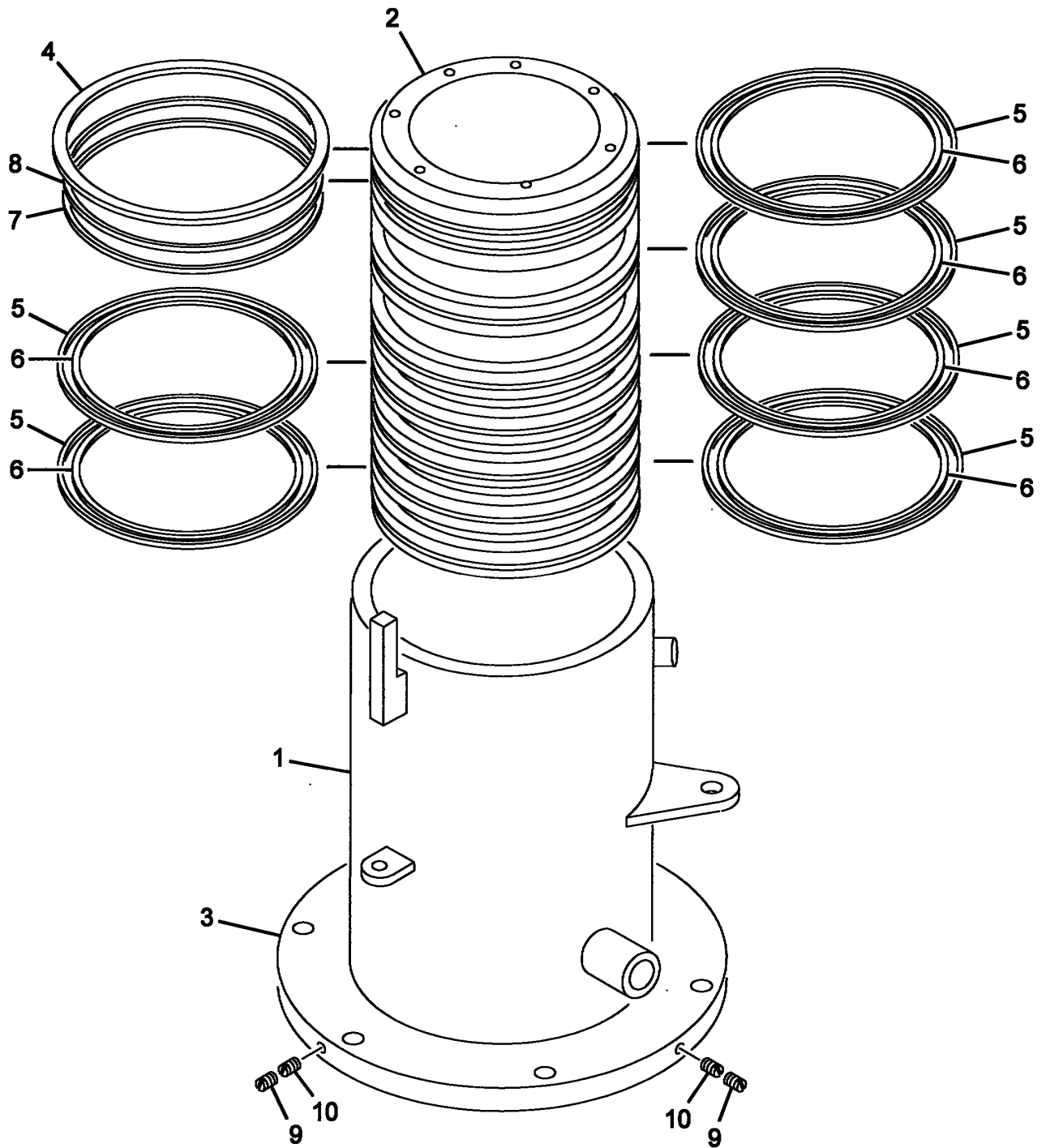


# ***Manitowoc Cranes***

Notes

---

# Manitowoc Cranes



# Manitowoc Cranes

Description

**SWIVEL ASSEMBLY - 12 PORT**

Assembly No.

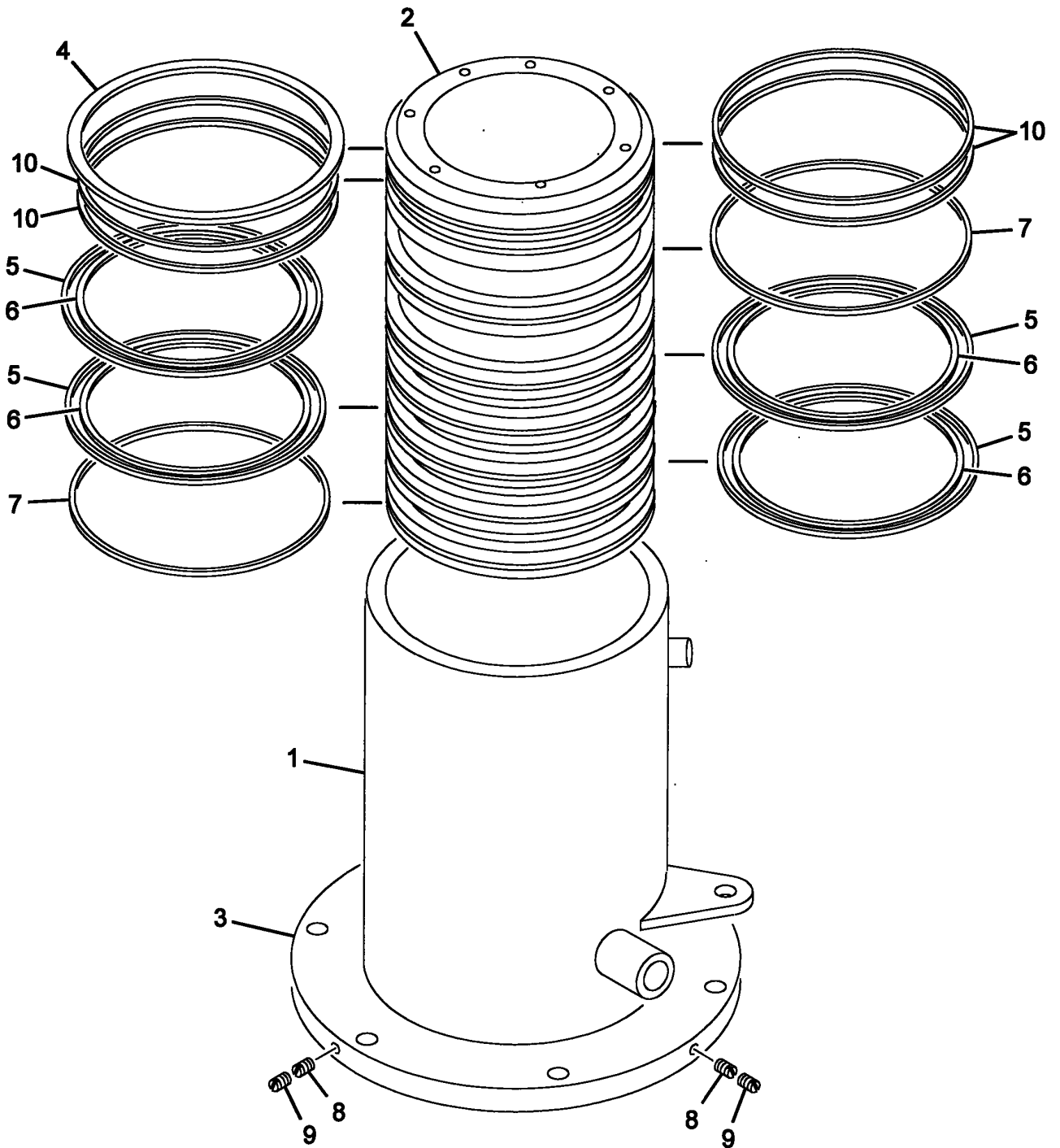
**7364000285**

Revision: **E**

Item	FN	Part	Qty	Description
1		6274000021	1	CASE
2		6830000014	1	SPOOL
3		6450000130	1	FLANGE
4		7753000362	1	RING, SNAP
5	*	7753000353	11	RING, SIRVON
6	*	7755265400	11	RING, QUAD
7	*	7755444000	2	O-RING
8	*	7753001454	2	RING, BACK-UP
9		7785181672	4	SET SCREW 1/2" - 13 N.C. X 1" FULL DOG
10		7785181601	4	SET SCREW 1/2" - 13 N.C. X 1" CONE
11	*	9752100302	1	KIT, REPAIR

\* REPAIR KIT AND/OR PART OF KIT

# Manitowoc Cranes



# Manitowoc Cranes

Description

**SWIVEL ASSEMBLY - 10 PORT**

Assembly No.

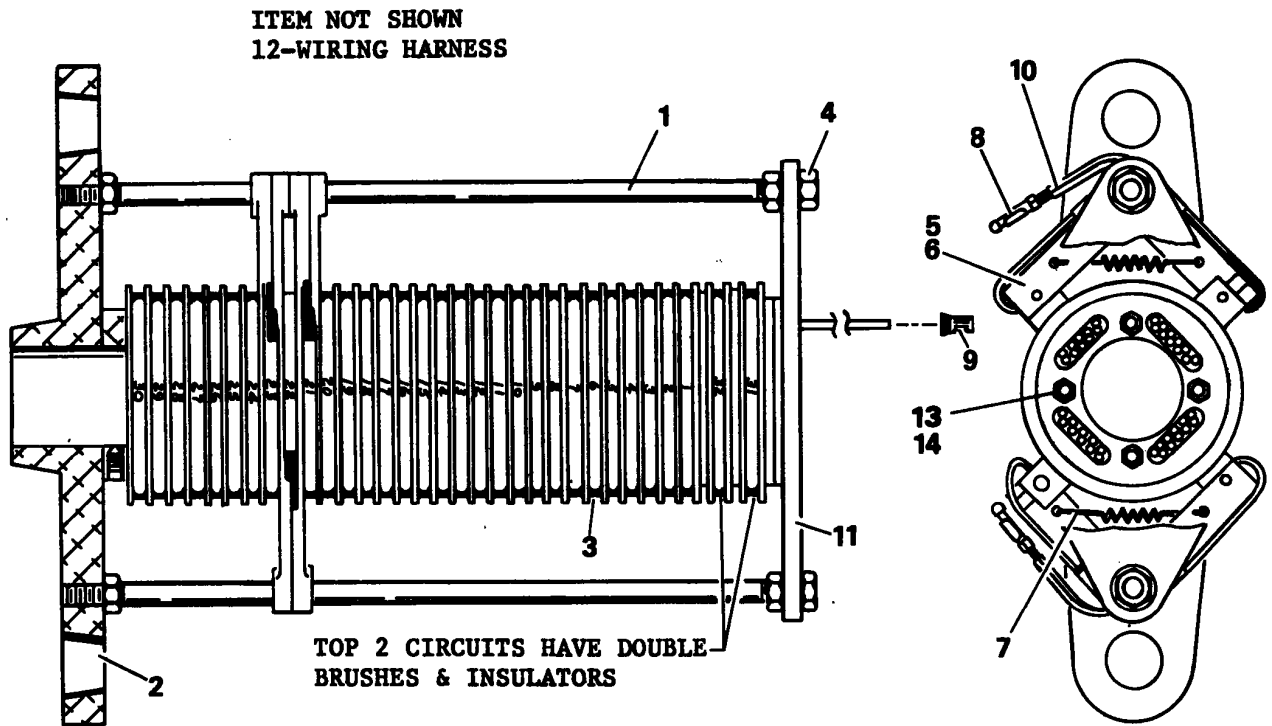
**7364000286**

Revision: **E**

Item	FN	Part	Qty	Description
1		6274000019	1	CASE
2		6830000010	1	SPOOL
3		6450000132	1	FLANGE, MOUNTING
4		7753000358	1	RING, SNAP
5	*	7753000357	5	RING, SIRVON
6	*	7755152101	5	RING, QUAD
6	*	7755152400	5	RING, QUAD
7	*	7755340000	2	O-RING
8		7785161201	4	SET SCREW 3/8" - 16 NC X 3/4"
9		7785160872	4	SET SCREW 3/8" - 16 NC X 1/2"
10	*	7794000461	4	SEAL, CROWN
11	*	9752100303	1	KIT, REPAIR

\* REPAIR KIT AND/OR PART OF KIT

# Manitowoc Cranes



# Manitowoc Cranes

Description

**RING ASSEMBLY - SLIP**

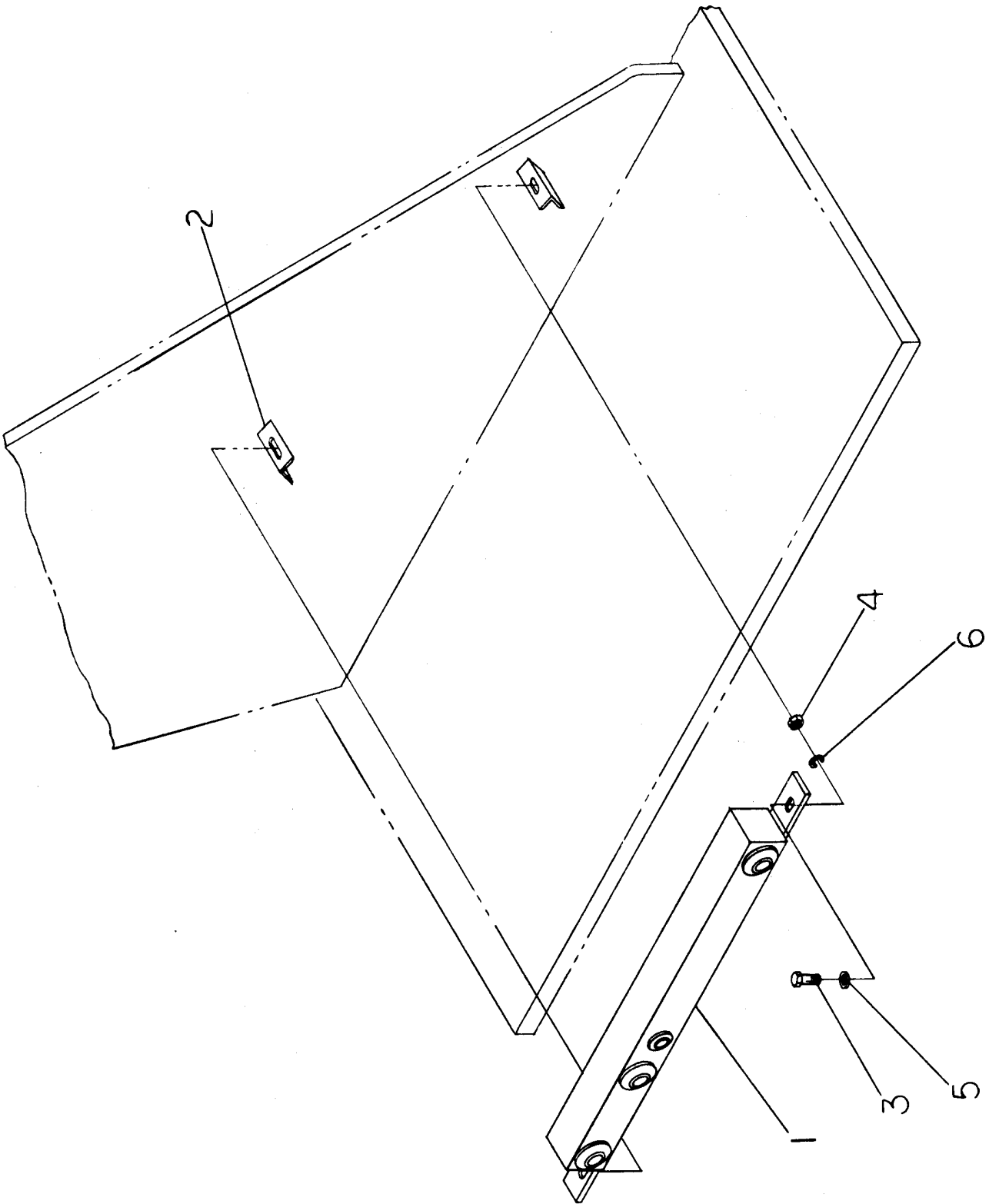
Assembly No.

**7753000128**

Revision:

Item	FN	Part	Qty	Description
1		9364100493	2	STUD
2		9364100176	1	BRACKET INCLUDES 2B
2		9364100181	1	BEARING, NYLON
3		9364100002	30	RING
3		9364100268	36	INSULATOR
4		7660150000	6	NUT, HEX 5/16" - 18 N.C.
5		9364100084	5	BRUSH AND HOLDER ASSEMBLY (20 AMP) CIRCUITS 26,31 & 32
6		9364100085	29	BRUSH & ARM ASSY. 15 AMP CIRCUITS 1-25 & 27-30
7		9364100177	34	SPRING, BRUSH 2.8 LBS
8		9364100087	5	DISCONNECT, LARGE KNIFE (LARGE) CIRCUITS 26,31 & 32
8		9364100088	29	DISCONNECT, SMALL KNIFE (SMALL) CIRCUITS 1-25 & 27-30
9		9364100178	2	CONNECTOR, CRIMPED (FOR 10 GAUGE WIRE ) CIRCUITS 31 & 32
9		7892000051	30	CONNECTOR, SETSCREW (FOR 12-14 GAUGE WIRE ) CIRCUITS 1-30
10		9364100091	5	SLEEVE, 1/4" I.D. X 3" (LARGE)
10		9364100092	29	SLEEVE, 3/16" I.D. X 3" (SMALL)
11		9364100180	1	BEARING, NYLON
12		7978000240	1	HARNESS, CONDUCTOR NOT INCLUDED W/SLIP RING ASSY NOT SHOWN
13		9364100803	4	STUD, BRASS (11.50")
14		9364100658	4	NUT

# Manitowoc Cranes





# Manitowoc Cranes

Description

**HYDRAULIC MANIFOLD INSTALL.**

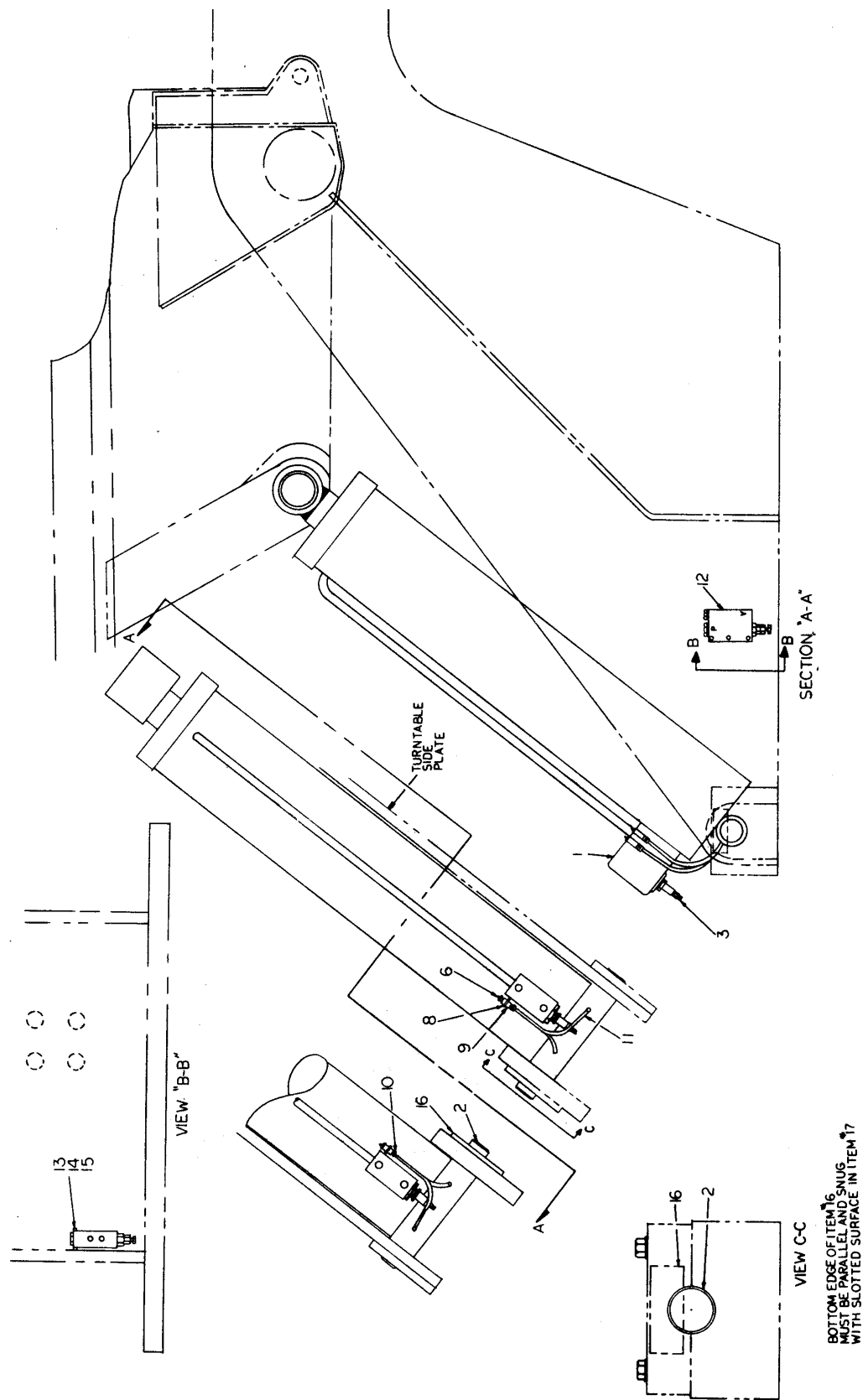
Assembly No.

**2160800059**

Revision:

Item	FN	Part	Qty	Description
1		2160800060	1	MANIFOLD, HYDRAULIC
2		4160800090	2	ANGLE, MOUNTING
3		7111160850	2	CAP SCREW, 3/8" - 16 N.C. X 1" GRADE 1
4		7660160000	2	NUT, HEX 3/8" - 16 N.C.
5		7950160141	2	WASHER, 3/8" PLAIN NARROW
6		7950160000	2	WASHER, LOCK 3/8" I.D.

# Manitowoc Cranes



2-160-2-00029

# Manitowoc Cranes

Description  
LIFT CYLINDER ASSY.

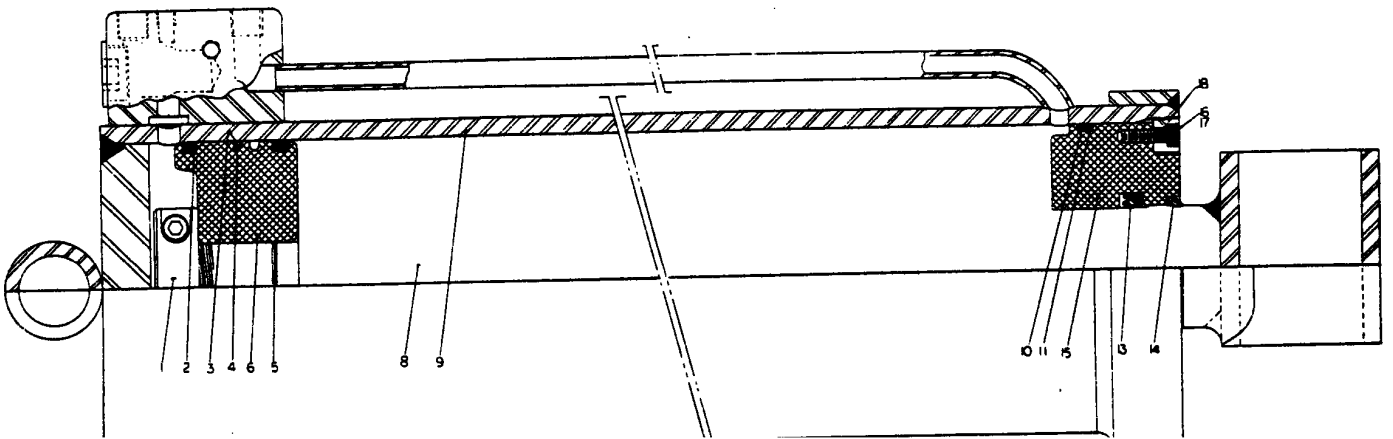
Assembly No.  
**2160200029**  
Revision:

Item	FN	Part	Qty	Description
1	%	7372000417	2	CYLINDER ASSEMBLY - 8 1/4" LIFT
2		6810000969	2	SHAFT
3		7926000325	2	HOLDING VALVE INCLUDES THE FOLLOWING PARTS
		9926112122	1	KIT,SEAL
6		7440000000	4	FITTING, 1/8 STRAIGHT GREASE
8		4160200051	2	PLATE, SUPPORT
9		7444000140	4	COUPLING
10		7445020201	4	ADAPTER, STRAIGHT
11		6542001201	4	HOSE ASSY, USE AS REQUIRED
12	+	7926000044	1	VALVE ASSEMBLY - CHECK
13		7115161850	1	CAP SCREW, 3/8" - 16 N.C. X 2 1/4" GRADE 5
14		7660160000	1	NUT, HEX 3/8" - 16 N.C.
15		7950160050	1	WASHER, LOCK 3/8" I.D.
16		6705001446	2	SHIM,

% SEE NOTE AT END OF LIST

+ SEE FURTHER BREAKDOWN THIS GROUP

# Manitowoc Cranes



# Manitowoc Cranes

Description

**CYLINDER ASSEMBLY - 8 1/4" LIFT**

Assembly No.

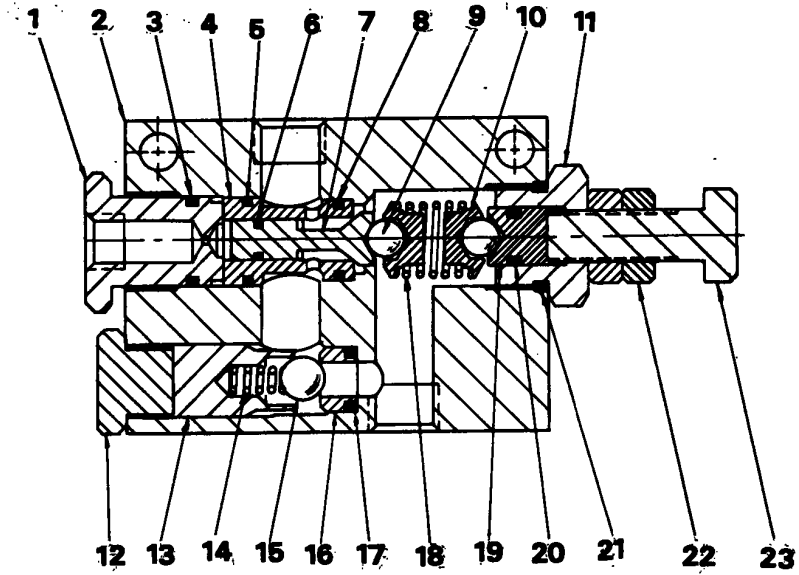
**7372000417**

Revision:

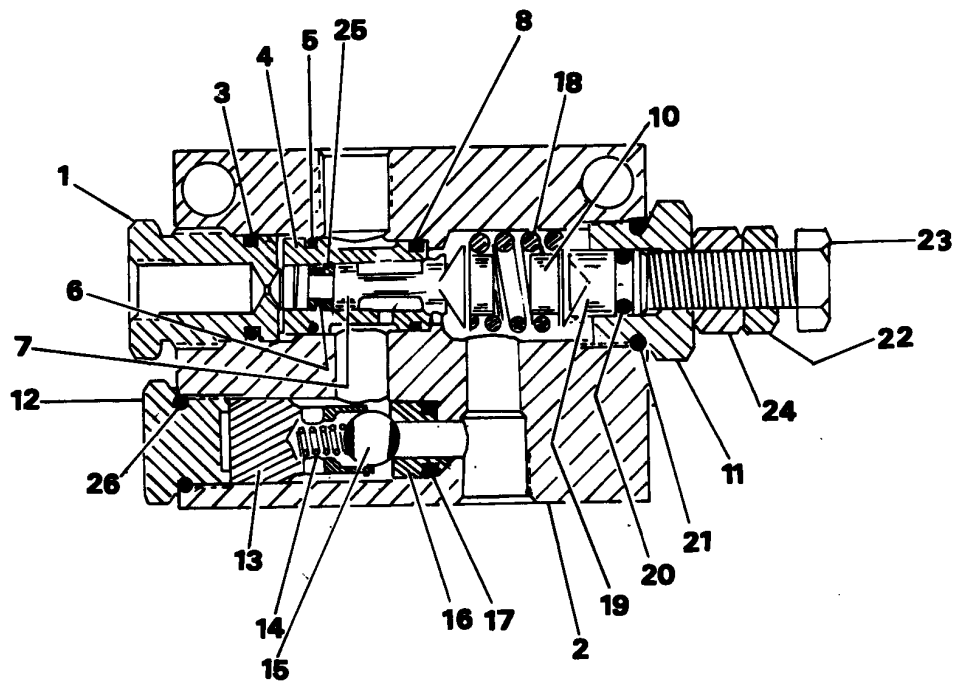
Item	FN	Part	Qty	Description
1		9372100230	1	NUT, CLAMP
2		9372100014	2	RING, PISTON
3		9372100003	1	O-RING AND SEAL
4		9372100003	1	O-RING AND SEAL
5		9372100006	1	O-RING
6		9372100244	1	PISTON
8		9372100231	1	SHAFT
9		9372100232	1	CASE
10		9372100008	1	O-RING
11		9372100245	1	WASHER, BACK-UP
13		9372100233	1	O-RING AND U-CUP SEAL
14		9372100011	1	SEAL, WIPER
15		9372100015	1	HEAD
16		9372100010	2	CAP SCREW,
17		9372100013	1	PLUG, EXPANDER
18		9372100012	1	RING, THREAD
19	*	9752100027	1	KIT, REPAIR INCLUDES NOS.3-5, 10, 11, 11, 13 & 14

\* REPAIR KIT AND/OR PART OF KIT

# Manitowoc Cranes



DESIGN - A



DESIGN - B

# Manitowoc Cranes

Description

**VALVE ASSEMBLY - CHECK**

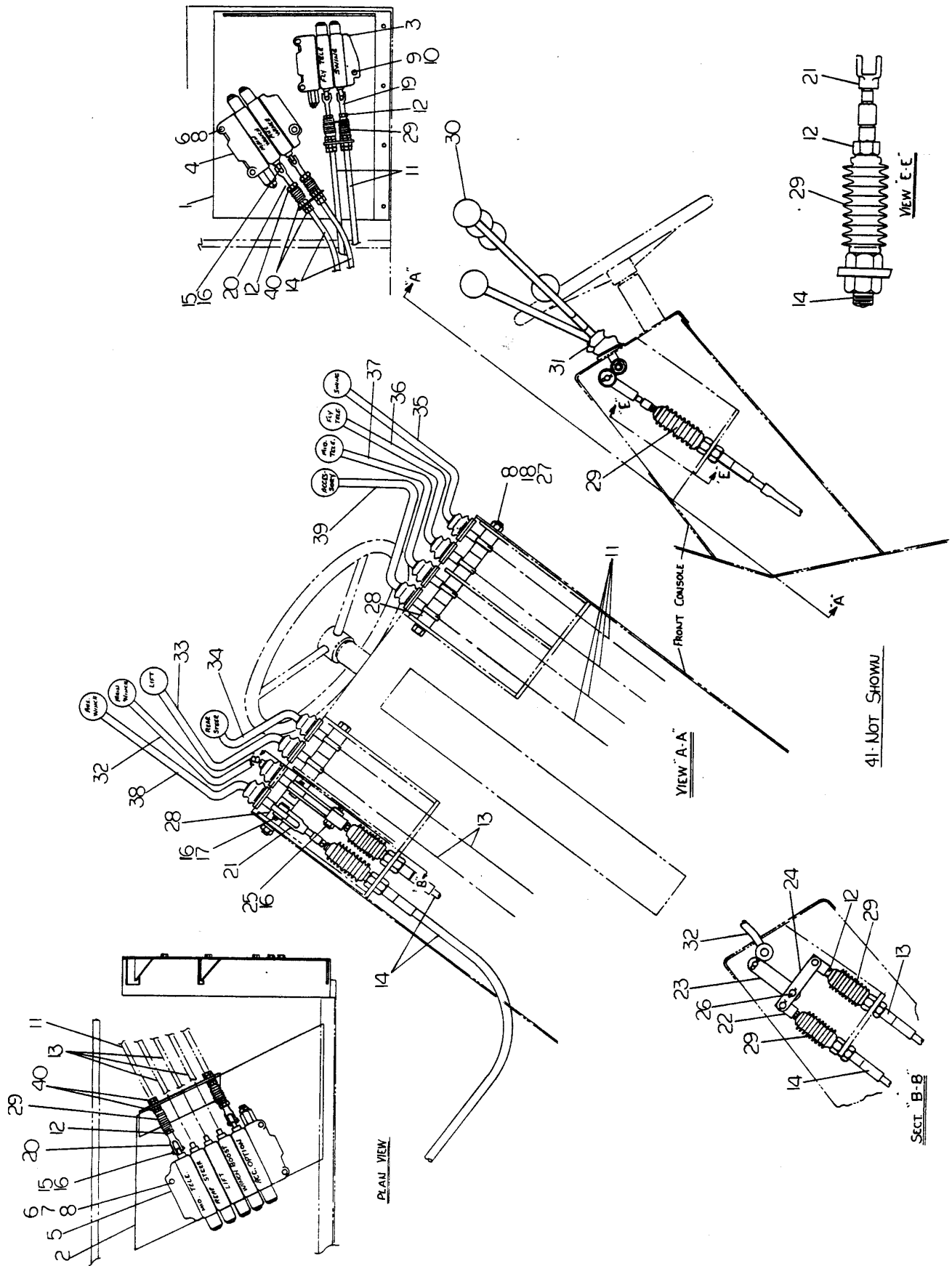
Assembly No.

**7926000044**

Revision:

Item	FN	Part	Qty	Description
1		9926100460	1	PLUG
2		9926100118	1	BODY
3		7755115000	1	O-RING
4		9926100120	1	SEAT
5		7755114000	1	O-RING
6		7755010000	1	O-RING
7		9926100123	1	PISTON (DESIGN A) (DESIGN B)
8		9926101775	1	O-RING
9		9926100125	2	BALL (DESIGN A)
10		9926100126	2	END, SPRING
11		9926100127	1	PLUG
12		9926100128	1	PLUG
13		9926100129	1	SPACER
14		9926100130	1	SPRING
15		9904101049	1	BALL
16		9926100132	1	SEAT
17		7755111000	1	O-RING
18		9926100134	1	SPRING
19		9926100135	1	PISTON
20		7755110000	1	O-RING
21		7755117000	1	O-RING
22		9926100138	1	NUT 1/2" - 20 N.F.
23		9926102846	1	CAP SCREW,
24		9926101693	1	NUT 1/2" - 20 N.F.
25		9926105172	2	RING, BACK-UP
26		7755113000	1	O-RING

# Manitowoc Cranes





# Manitowoc Cranes

Description

**CONTROL VALVE & LINKAGE INSTAL**

Assembly No.

**2160600210**

Revision:

Item	FN	Part	Qty	Description
1		2160200035	1	BRACKET
2		2160200031	1	PLATE, MOUNTING
3	+	6926000403	1	VALVE BANK ASSEMBLY - 2 SECTION (A-20 SERIES)
4	+	6926000512	1	VALVE BANK ASSEMBLY - TWO SECTION A-35 SERIES
5	+	6926000245	1	VALVE BANK ASSEMBLY - FOUR SECTION A-35 SERIES
6		7115183650	6	CAP SCREW, 1/2" - 13 N.C. X 4 1/2" GRADE 5
7		7660180000	3	NUT, 1/2" - 13 N.C. HEX HEAD
8		7950180050	8	WASHER, LOCK 1/2" I.D.
9		7115163050	3	CAP SCREW, 3/8" - 16 N.C. X 3 3/4" GRADE 5
10		7950160050	3	WASHER, LOCK 3/8" I.D.
11		7246000289	3	CABLE, CONTROL
12		7660160030	16	NUT, 3/8" - 24 N.F. HEX
13		7246000225	3	CABLE, CONTROL
14		7246000290	2	CABLE, CONTROL
15		7690182400	6	PIN, CLEVIS
16		7690051610	18	PIN, COTTER 1/8" X 1"
17		7690162000	9	PIN, 3/8 DIA. X 1 1/4" CLEVIS
18		7115186850	2	BOLT, HEX 1/2"-13NC X 8 1/2"- GRD 5
19		7308000001	2	YOKE
20		7308000047	6	YOKE ASSEMBLY INCLUDES THE FOLLOWING PARTS
		7690051610	1	PIN, COTTER 1/8" X 1"
		7690182200	1	PIN, CLEVIS
21		2160200020	6	YOKE AND BALL JOINT
22		4160200034	2	END, ROD
23		4160200032	2	LINK
24		4160200033	2	LINK
25		7690162400	3	PIN, CLEVIS 3/8" X 1 1/2"

+ SEE FURTHER BREAKDOWN THIS GROUP

# Manitowoc Cranes

Description  
**CONTROL VALVE & LINKAGE INSTAL**

Assembly No.  
**2160600210**  
 Revision:

Item	FN	Part	Qty	Description
26		6200059203	1	BUSHING
27		7660180200	2	NUT, HEX 1/2" - 13 N.C.
28		6200080814	1	BUSHING
29		7072000001	16	BELLOWS
30		7511000003	7	KNOB
31	#	7172000006	7	BOOT, RUBBER CONTROL ROD
32		4160600085	1	LEVER, CONTROL
33		4160600086	1	LEVER, CONTROL
34		4160600087	1	LEVER, CONTROL
35		4160600088	1	LEVER, CONTROL - SWING
36		4160600089	1	LEVER, CONTROL - FLY TELESCOPE
37		4160600090	1	LEVER, CONTROL - MID TELESCOPE
38		4160600091	1	LEVER, CONTROL - AUXILIARY HOIST
40		7660200230	16	NUT, HEX JAM 5/8" -18 N.F.
41		7709000051	1	PLUG

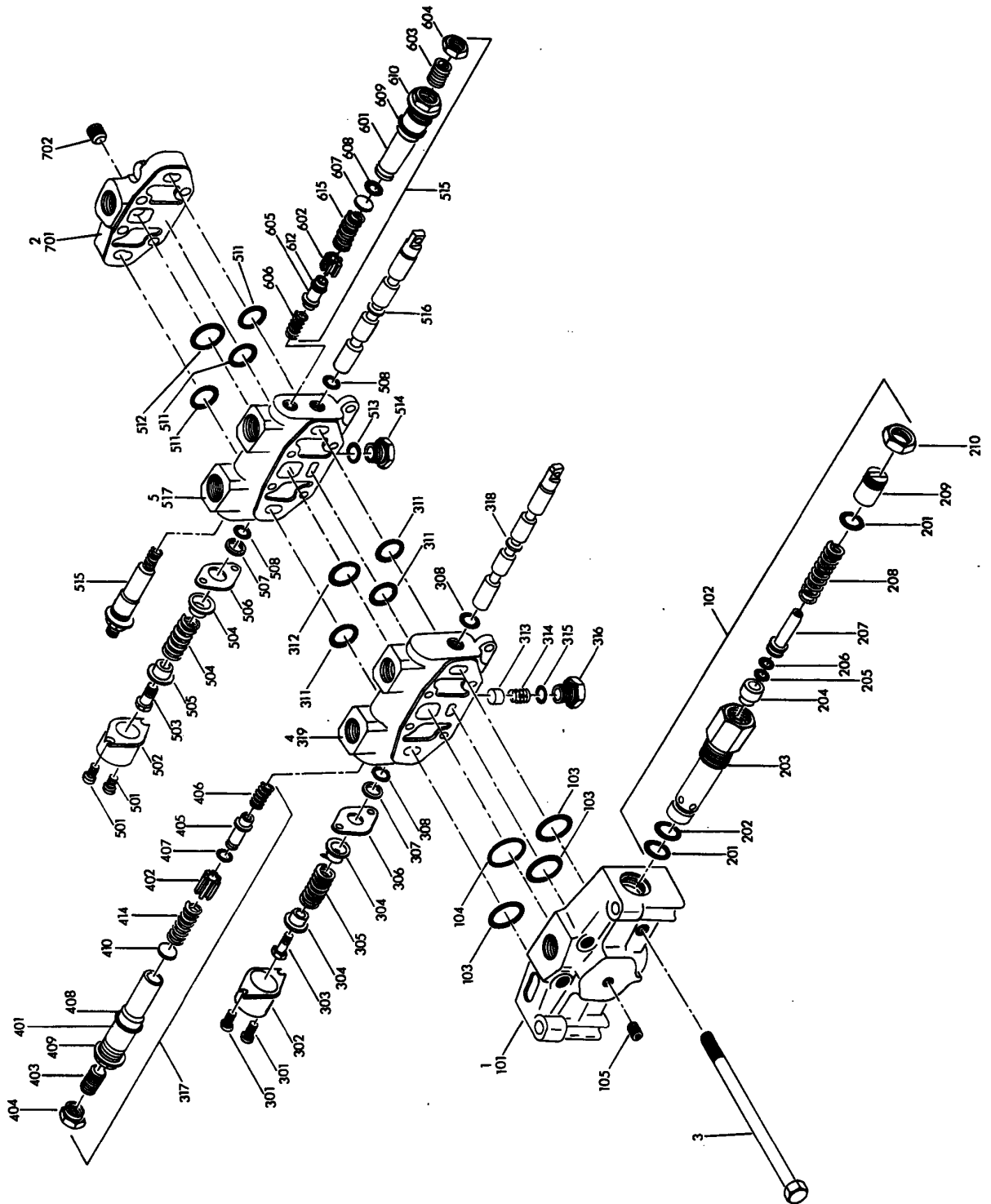
# SERVICED AS AN ASSEMBLY ONLY

# ***Manitowoc Cranes***

Notes

---

# Manitowoc Cranes



# Manitowoc Cranes

Description

**VALVE BANK ASSEMBLY - 2 SECTION (A-20 SERIES)**

Assembly No.

**6926000403**

Revision: **A**

Item	FN	Part	Qty	Description
1	+	7926000223	1	VALVE ASSEMBLY - SECTION INLET (A-20 SERIES)
2	+	7926000225	1	VALVE ASSEMBLY - SECTION OUTLET (A-20 SERIES) INCLUDES NBR 701-702
3		7099000076	4	BOLT ASSEMBLY
4	+	7926000222	1	VALVE ASSEMBLY - 4-WAY SECTION INCLUDES NBR 301-319
5	+	7926000275	1	VALVE SECTION - 4 WAY INCLUDES NBR 501-517
101		NSS	1	NOT SERVICED SEPARATELY
102		9926101842	1	VALVE ASSEMBLY - RELIEF 2250 PSI INCLUDES THE FOLLOWING PARTS
		7755115000	1	O-RING
103	*	9926100722	3	O-RING
104	*	9926100721	1	O-RING
105		9926101259	1	PLUG, FLUSH PIPE
201	*	7755115000	2	O-RING
202		9926100686	1	WASHER, GASKET
203		9926100687	1	CARTRIDGE
204		9926100688	1	SEAT
205	*	7755901000	1	O-RING
206	*	7755011609	1	RING, BACK-UP
207		9926100691	1	PLUNGER
208		9926100692	1	SPRING
209		9926100693	1	SCREW, ADJUSTMENT
210		9926100694	1	NUT, LOCKING
301		9926100661	2	SCREW, FILLISTER HEAD
302		9926100662	1	CAP, VALVE
303		9926100663	1	BOLT, STRIPPER
304		9926100664	2	GUIDE, SPRING
305		9926100833	1	SPRING, CAP
306		9926100666	1	PLATE, RETAINING
307		9926100716	1	RING, BACK-UP
308	*	9926100667	2	O-RING

+ SEE FURTHER BREAKDOWN THIS GROUP

\* REPAIR KIT AND/OR PART OF KIT

# Manitowoc Cranes

Description

**VALVE BANK ASSEMBLY - 2 SECTION (A-20 SERIES)**

Assembly No.

**6926000403**

Revision: **A**

Item	FN	Part	Qty	Description
311	@	9926100722	3	O-RING
312	@	9926100721	1	O-RING
313		9926100670	1	POPPET, CHECK
314		9926100671	1	SPRING, CHECK
315	*	7755118000	1	O-RING
316		9926100672	1	CAP, CHECK
317	+	9926101841	1	VALVE ASSEMBLY - RELIEF INCLUDES NBR 401-414
318	#	NS	1	NOT SERVICED SPOOL
319	#	NS	1	NOT SERVICED BODY, VALVE
401		9926101111	1	CARTRIDGE
402		9926101100	1	SEAT, FLOATING
403		9926101101	1	SET SCREW
404		9926101102	1	LOCKNUT
405		9926101103	1	POPPET
406		9926101104	1	SPRING, CHECK VALVE
407	*	7755010000	1	O-RING
408	*	7755014000	1	O-RING
409		9926101108	1	GASKET, LEAD COPPER
410		9926101105	1	SLUG, STEEL
414		9926101112	1	SPRING, RELIEF VALVE
501		9926100661	2	SCREW, FILLISTER HEAD
502		9926100662	1	CAP, VALVE
503		9926100663	1	BOLT, STRIPPER
504		9926100664	2	GUIDE, SPRING
505		9926100833	1	SPRING, CAP
506		9926100666	1	PLATE, RETAINING
507		9926100716	1	RING, BACK-UP
508	*	9926100667	2	O-RING
511	@	9926100722	3	O-RING
512	@	9926100721	1	O-RING
513	*	7755118000	1	O-RING
514		9926100672	1	CAP, CHECK

@ SECOND REPAIR KIT AND/OR PART OF 2ND KIT  
+ SEE FURTHER BREAKDOWN THIS GROUP

\* REPAIR KIT AND/OR PART OF KIT  
# SERVICED AS AN ASSEMBLY ONLY

# Manitowoc Cranes

Description

**VALVE BANK ASSEMBLY - 2 SECTION (A-20 SERIES)**

Assembly No.

**6926000403**

Revision: **A**

Item	FN	Part	Qty	Description
515	+	9926101845	2	VALVE ASSEMBLY - RELIEF 1500 PSI INCLUDES NBR 601-615
516	#	NS	1	NOT SERVICED SPOOL
517	#	NS	1	NOT SERVICED SPOOL, VALVE
601		9926101099	2	CARTRIDGE (1 PER ASSEMBLY)
602		9926101100	2	SEAT, FLOATING
603		9926101101	2	SET SCREW (1 PER ASSEMBLY)
604		9926101102	2	LOCKNUT (1 PER ASSEMBLY)
605		9926101103	2	POPPET (1 PER ASSEMBLY)
606		9926101104	2	SPRING, CHECK VALVE (1 PER ASSEMBLY)
607		9926101105	2	SLUG, STEEL
608	*	7755013000	2	O-RING (1 PER ASSEMBLY)
609	*	7755014000	2	O-RING (1 PER ASSEMBLY)
610		9926101108	2	GASKET, LEAD COPPER (1 PER ASSEMBLY)
612	*	9926101856	2	SEAL, O-RING (1 PER ASSEMBLY)
615		9926101112	2	SPRING, RELIEF VALVE (1 PER ASSEMBLY)
701	#	NS	1	NOT SERVICED HOUSING
702		9926100674	1	PLUG
		9752100269	1	INCLUDES THE FOLLOWING PARTS KIT, REPAIR (RELIEF VALVE)
703	*	9752100264	1	KIT, REPAIR (BETWEEN SECTION)
703	@	9752100264	1	KIT, REPAIR (BETWEEN SECTION)
703	@	9752100264	1	KIT, REPAIR (BETWEEN SECTION)

+ SEE FURTHER BREAKDOWN THIS GROUP  
\* REPAIR KIT AND/OR PART OF KIT

# SERVICED AS AN ASSEMBLY ONLY  
@ SECOND REPAIR KIT AND/OR PART OF 2ND KIT

# Manitowoc Cranes

Description

**VALVE BANK ASSEMBLY - 2 SECTION (A-20 SERIES)**

Assembly No.

**6926000403**

Revision: **A**

Item	FN	Part	Qty	Description
703	*	9752100266	1	KIT, REPAIR (RELIEF VALVE)
703	*	9752100267	1	KIT, REPAIR (RELIEF VALVE)
703	*	9752100271	1	KIT, RELIEF VALVE REPAIR
703	*	9752100265	1	KIT, REPAIR (SECTION)
703	*	9752100265	1	KIT, REPAIR (SECTION)

\* REPAIR KIT AND/OR PART OF KIT

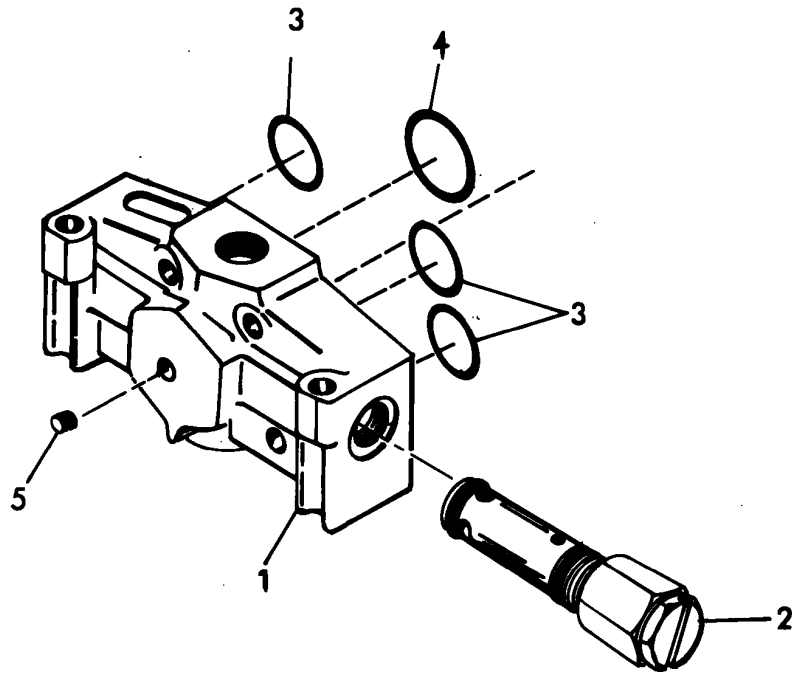


# ***Manitowoc Cranes***

Notes

---

# Manitowoc Cranes



# Manitowoc Cranes

Description

**VALVE ASSEMBLY - SECTION INLET (A-20 SERIES)**

Assembly No.

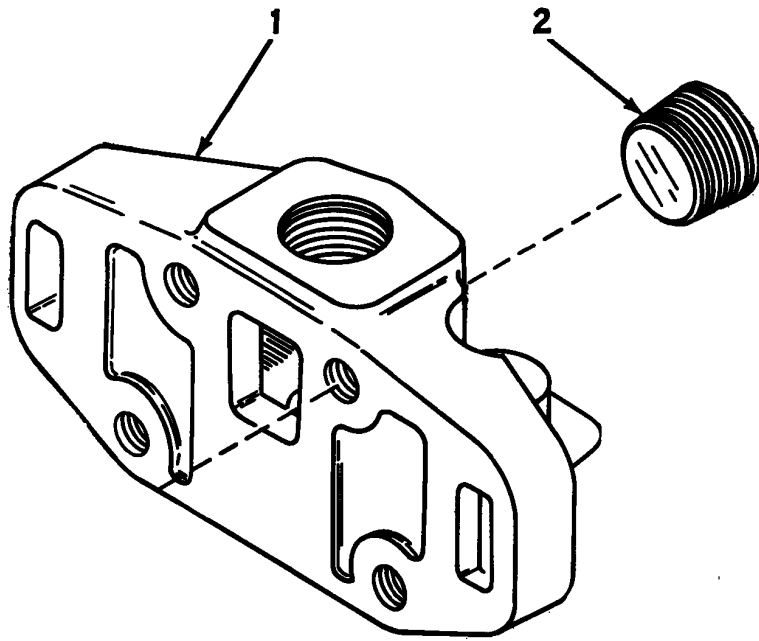
**7926000223**

Revision:

Item	FN	Part	Qty	Description
1		9926101258	1	HOUSING
2		9926101842	1	VALVE ASSEMBLY - RELIEF 2250 PSI INCLUDES THE FOLLOWING PARTS
		7755115000	1	O-RING
3	*	9926100722	3	O-RING
4	*	9926100721	1	O-RING
5		9926101259	1	PLUG, FLUSH PIPE
6	*	9752100264	1	KIT, REPAIR (BETWEEN SECTION)

\* REPAIR KIT AND/OR PART OF KIT

# Manitowoc Cranes



# Manitowoc Cranes

Description

**VALVE ASSEMBLY - SECTION OUTLET (A-20 SERIES)**

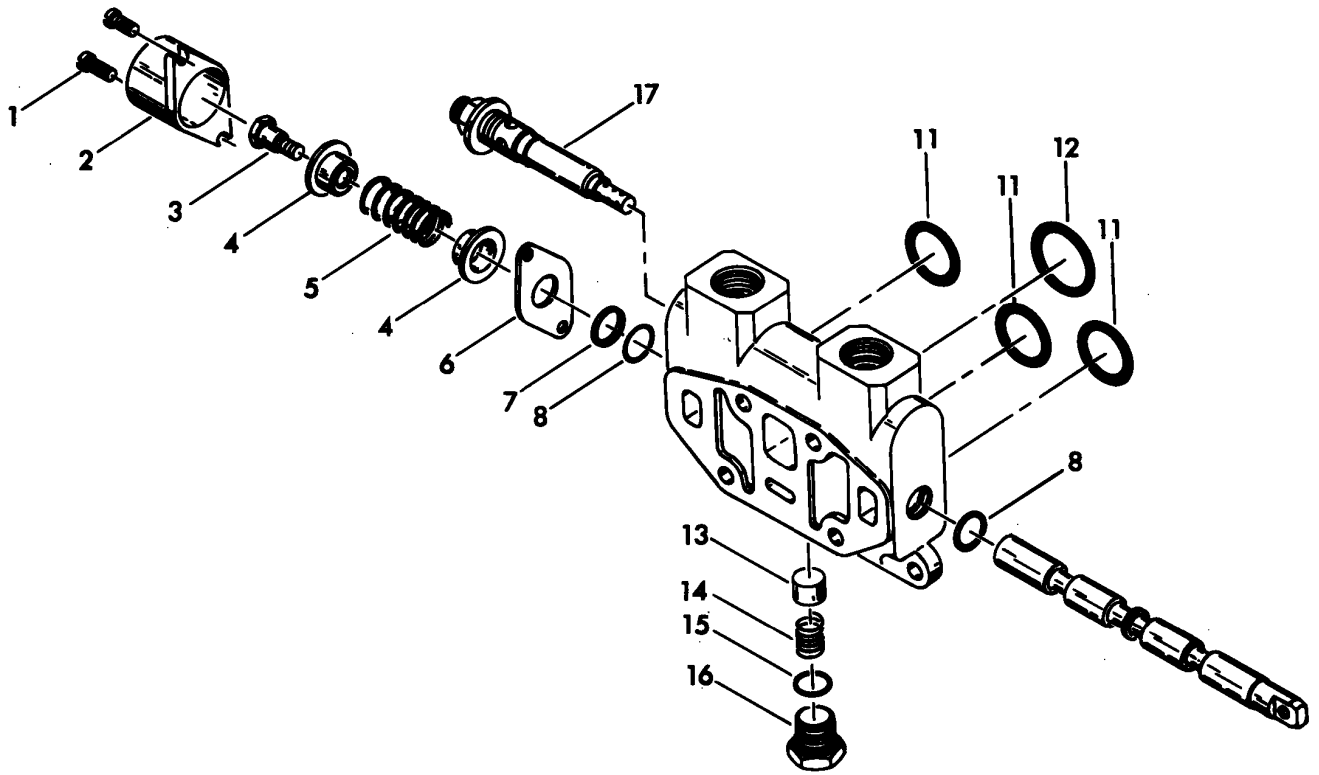
Assembly No.

**7926000225**

Revision:

Item	FN	Part	Qty	Description
1		NSS	1	NOT SERVICED SEPARATELY HOUSING HOUSING
2		9926100674	1	PLUG INCLUDES THE FOLLOWING PARTS
		9752100269	1	KIT, REPAIR (RELIEF VALVE)

# Manitowoc Cranes



# Manitowoc Cranes

Description

**VALVE ASSEMBLY - 4-WAY SECTION**

Assembly No.

**7926000222**

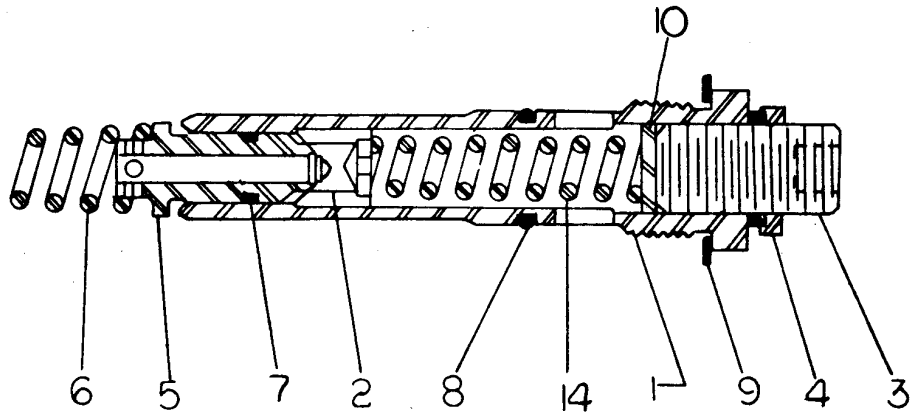
Revision:

Item	FN	Part	Qty	Description
1		9926100661	2	SCREW, FILLISTER HEAD
2		9926100662	1	CAP, VALVE
3		9926100663	1	BOLT, STRIPPER
4		9926100664	2	GUIDE, SPRING
5		9926100833	1	SPRING, CAP
6		9926100666	1	PLATE, RETAINING
7		9926100716	1	RING, BACK-UP
8	*	9926100667	2	O-RING
11	@	9926100722	3	O-RING
12	@	9926100721	1	O-RING
13		9926100670	1	POPPET, CHECK
14		9926100671	1	SPRING, CHECK
15	*	7755118000	1	O-RING
16		9926100672	1	CAP, CHECK
17	+	9926101841	1	VALVE ASSEMBLY - RELIEF
18	@	9752100264	1	KIT, REPAIR (BETWEEN SECTION)
18	*	9752100265	1	KIT, REPAIR (SECTION)

\* REPAIR KIT AND/OR PART OF KIT  
+ SEE FURTHER BREAKDOWN THIS GROUP

@ SECOND REPAIR KIT AND/OR PART OF 2ND KIT

# Manitowoc Cranes





# Manitowoc Cranes

Description

**VALVE ASSEMBLY - RELIEF**

Assembly No.

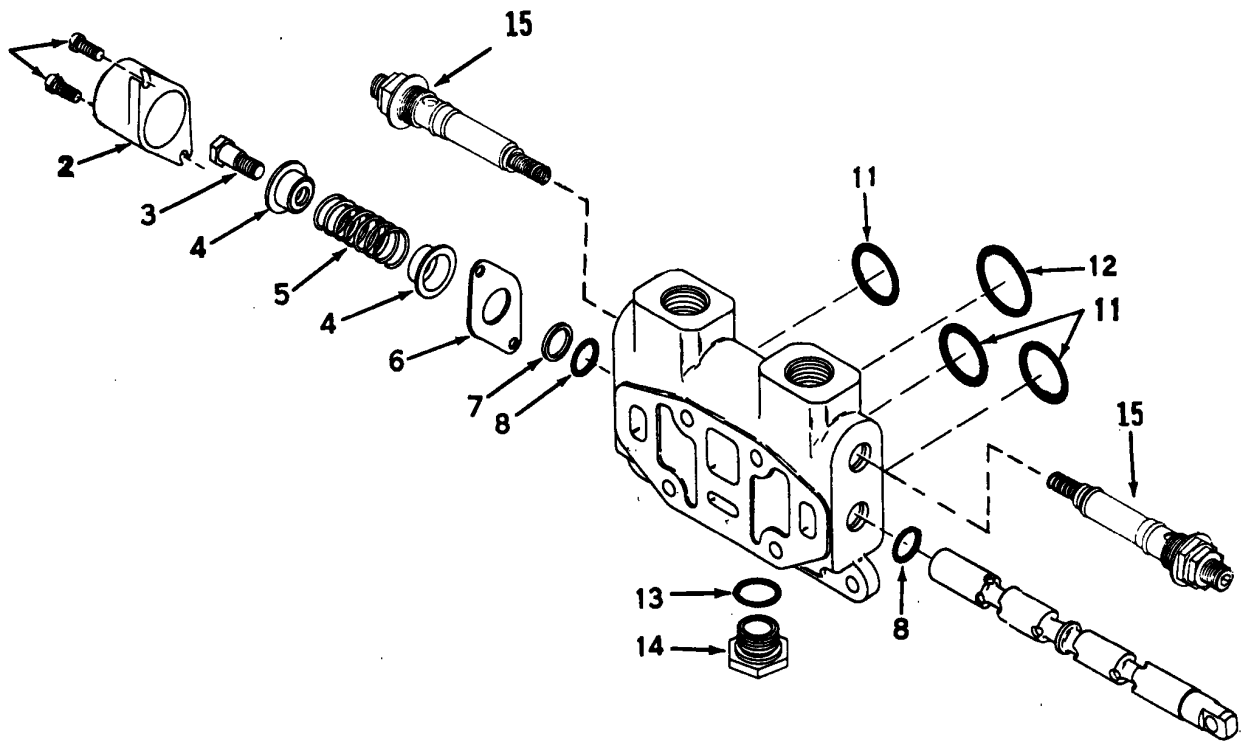
**9926101841**

Revision:

Item	FN	Part	Qty	Description
1		9926101111	1	CARTRIDGE
2		9926101100	1	SEAT, FLOATING
3		9926101101	1	SET SCREW
4		9926101102	1	LOCKNUT
5		9926101103	1	POPPET
6		9926101104	1	SPRING, CHECK VALVE
7	*	7755010000	1	O-RING
8	*	7755014000	1	O-RING
9		9926101108	1	GASKET, LEAD COPPER
10		9926101105	1	SLUG, STEEL
14		9926101112	1	SPRING, RELIEF VALVE
15	*	9752100266	1	KIT, REPAIR (RELIEF VALVE)

\* REPAIR KIT AND/OR PART OF KIT

# Manitowoc Cranes



# Manitowoc Cranes

Description

**VALVE SECTION - 4 WAY**

Assembly No.

**7926000275**

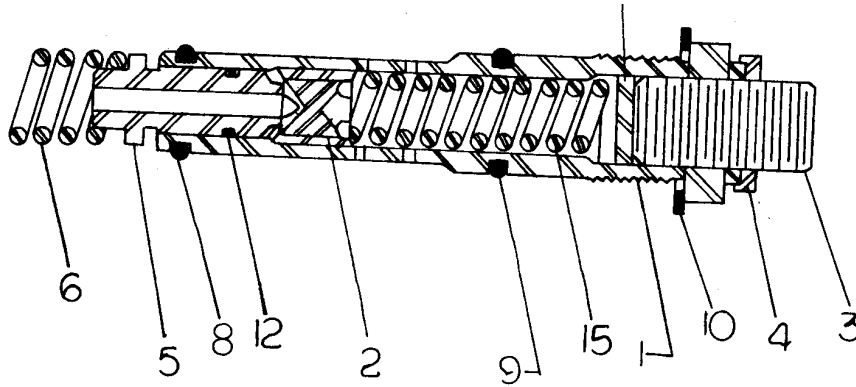
Revision:

Item	FN	Part	Qty	Description
1		9926100661	2	SCREW, FILLISTER HEAD
2		9926100662	1	CAP, VALVE
3		9926100663	1	BOLT, STRIPPER
4		9926100664	2	GUIDE, SPRING
5		9926100833	1	SPRING, CAP
6		9926100666	1	PLATE, RETAINING
7		9926100716	1	RING, BACK-UP
8	*	9926100667	2	O-RING
11	@	9926100722	3	O-RING
12	@	9926100721	1	O-RING
13	*	7755118000	1	O-RING
14		9926100672	1	CAP, CHECK
15	+	9926101845	2	VALVE ASSEMBLY - RELIEF 1500 PSI
16	@	9752100264	1	KIT, REPAIR (BETWEEN SECTION)
16	*	9752100265	1	KIT, REPAIR (SECTION)

\* REPAIR KIT AND/OR PART OF KIT  
+ SEE FURTHER BREAKDOWN THIS GROUP

@ SECOND REPAIR KIT AND/OR PART OF 2ND KIT

# Manitowoc Cranes



# Manitowoc Cranes

Description

**VALVE ASSEMBLY - RELIEF 1500 PSI**

Assembly No.

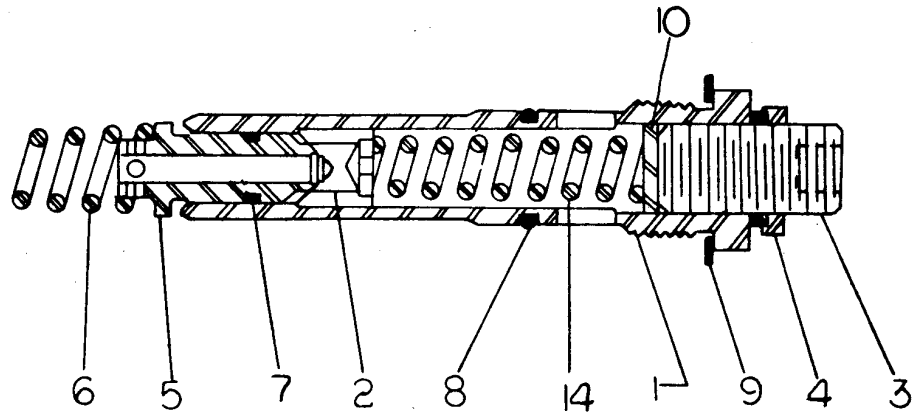
**9926101845**

Revision:

Item	FN	Part	Qty	Description
1		9926101099	1	CARTRIDGE
2		9926101100	1	SEAT, FLOATING
3		9926101101	1	SET SCREW
4		9926101102	1	LOCKNUT
5		9926101103	1	POPPET
6		9926101104	1	SPRING, CHECK VALVE
7		9926101105	1	SLUG, STEEL
8	*	7755013000	1	O-RING
9	*	7755014000	1	O-RING
10		9926101108	1	GASKET, LEAD COPPER
12	*	9926101856	1	SEAL, O-RING
15		9926101112	1	SPRING, RELIEF VALVE
16	*	9752100271	1	KIT, RELIEF VALVE REPAIR

\* REPAIR KIT AND/OR PART OF KIT

# Manitowoc Cranes



# Manitowoc Cranes

Description

**VALVE ASSEMBLY - RELIEF**

Assembly No.

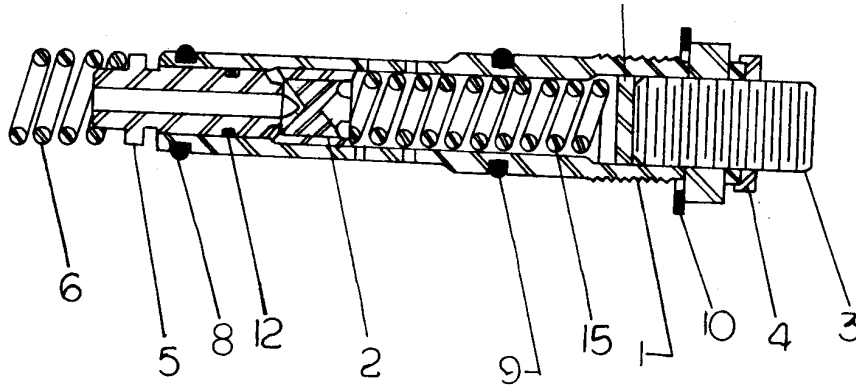
**9926101841**

Revision:

Item	FN	Part	Qty	Description
1		9926101111	1	CARTRIDGE
2		9926101100	1	SEAT, FLOATING
3		9926101101	1	SET SCREW
4		9926101102	1	LOCKNUT
5		9926101103	1	POPPET
6		9926101104	1	SPRING, CHECK VALVE
7	*	7755010000	1	O-RING
8	*	7755014000	1	O-RING
9		9926101108	1	GASKET, LEAD COPPER
10		9926101105	1	SLUG, STEEL
14		9926101112	1	SPRING, RELIEF VALVE
15	*	9752100266	1	KIT, REPAIR (RELIEF VALVE)

\* REPAIR KIT AND/OR PART OF KIT

# Manitowoc Cranes





# Manitowoc Cranes

Description

**VALVE ASSEMBLY - RELIEF 1500 PSI**

Assembly No.

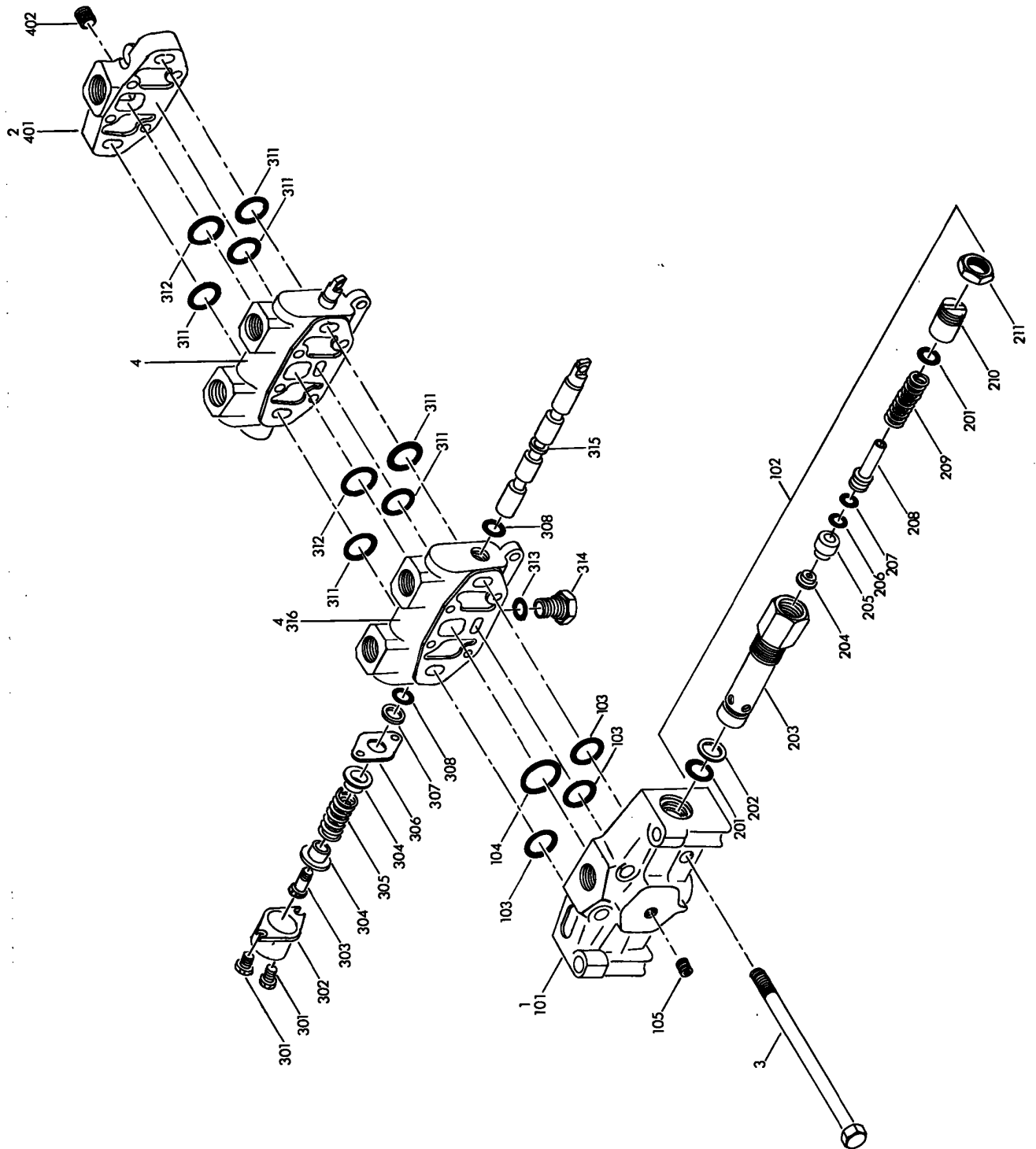
**9926101845**

Revision:

Item	FN	Part	Qty	Description
1		9926101099	1	CARTRIDGE
2		9926101100	1	SEAT, FLOATING
3		9926101101	1	SET SCREW
4		9926101102	1	LOCKNUT
5		9926101103	1	POPPET
6		9926101104	1	SPRING, CHECK VALVE
7		9926101105	1	SLUG, STEEL
8	*	7755013000	1	O-RING
9	*	7755014000	1	O-RING
10		9926101108	1	GASKET, LEAD COPPER
12	*	9926101856	1	SEAL, O-RING
15		9926101112	1	SPRING, RELIEF VALVE
16	*	9752100271	1	KIT, RELIEF VALVE REPAIR

\* REPAIR KIT AND/OR PART OF KIT

# Manitowoc Cranes



# Manitowoc Cranes

Description

**VALVE BANK ASSEMBLY - TWO SECTION A-35 SERIES**

Assembly No.

**6926000512**

Revision: #

Item	FN	Part	Qty	Description
1	+	7926000353	1	VALVE SECTION - INLET (A-35 SERIES) INCLUDES NBRS 101 - 105
2	+	7926000229	1	VALVE ASSEMBLY - OUTLET INCLUDES NBRS 401 AND 402
3		7099000086	4	CAP SCREW,
4	+	7926000228	2	VALVE ASSEMBLY - 4-WAY SECTION (A-35 SERIES) INCLUDES NBRS 301 - 316
101		NSS	1	NOT SERVICED SEPARATELY HOUSING
102		9926101847	1	VALVE ASSEMBLY - RELIEF 2500 PSI INCLUDES NBRS 201 - 211 INCLUDES THE FOLLOWING PARTS
		9752100269	1	KIT, REPAIR (RELIEF VALVE)
103	*	9926100721	3	O-RING
104	*	9926100723	1	O-RING
105		9926100674	1	PLUG INCLUDES THE FOLLOWING PARTS
		9752100269	1	KIT, REPAIR (RELIEF VALVE)
201	@	7755212000	2	O-RING
202		9926100697	1	WASHER,
203	+	9926100698	1	CARTRIDGE ASSEMBLY
204		9926100699	1	VALVE, CHECK
205		9926100700	1	SEAT, FLOATING
206	@	9926100701	1	O-RING
207	@	7755110609	1	RING, BACK-UP
208		9926100703	1	PLUNGER, DISPLACEMENT
209		9926101128	1	SPRING
210		9926100705	1	SCREW, SPRING ADJUSTING
211		9926100076	1	KIT, REPAIR
301		9926100650	4	SCREW, (2 PER ASSEMBLY)
302		9926100651	2	CAP, VALVE (1 PER ASSEMBLY)
303		9926100652	2	CAP SCREW,

+ SEE FURTHER BREAKDOWN THIS GROUP  
@ SECOND REPAIR KIT AND/OR PART OF 2ND KIT

\* REPAIR KIT AND/OR PART OF KIT

# Manitowoc Cranes

Description

**VALVE BANK ASSEMBLY - TWO SECTION A-35 SERIES**

Assembly No.

**6926000512**

Revision: #

Item	FN	Part	Qty	Description
304		9926100653	4	GUIDE, SPRING (2 PER ASSEMBLY)
305		9926100654	2	SPRING, CAP
306		9926100655	2	PLATE, RETAINING
307		9926100714	2	RING, BACK-UP (1 PER ASSEMBLY)
308	-	7755212000	4	O-RING (2 PER ASSEMBLY)
311	*	9926100721	6	O-RING (3 PER ASSEMBLY)
312	*	9926100723	2	O-RING
313	-	7755216000	2	O-RING (1 PER ASSEMBLY)
314		9926100660	2	CAP, CHECK (1 PER ASSEMBLY)
315		NSS	2	NOT SERVICED SEPARATELY SPOOL (1 PER ASSEMBLY) (1 PER ASSEMBLY) SPOOL
316		NSS	2	NOT SERVICED SEPARATELY BODY (1 PER ASSEMBLY) (1 PER ASSEMBLY) BODY
401		NSS	1	NOT SERVICED SEPARATELY HOUSING HOUSING
402		9926100842	1	PLUG
403	*	9752100268	1	KIT, REPAIR (BETWEEN SECTION)
403	*	9752100268	1	KIT, REPAIR (BETWEEN SECTION)
403	@	9752100269	1	KIT, REPAIR (RELIEF VALVE)
403	-	9752100270	1	KIT, REPAIR (SECTION)

- THIRD REPAIR KIT AND/OR PART OF 3RD KIT  
@ SECOND REPAIR KIT AND/OR PART OF 2ND KIT

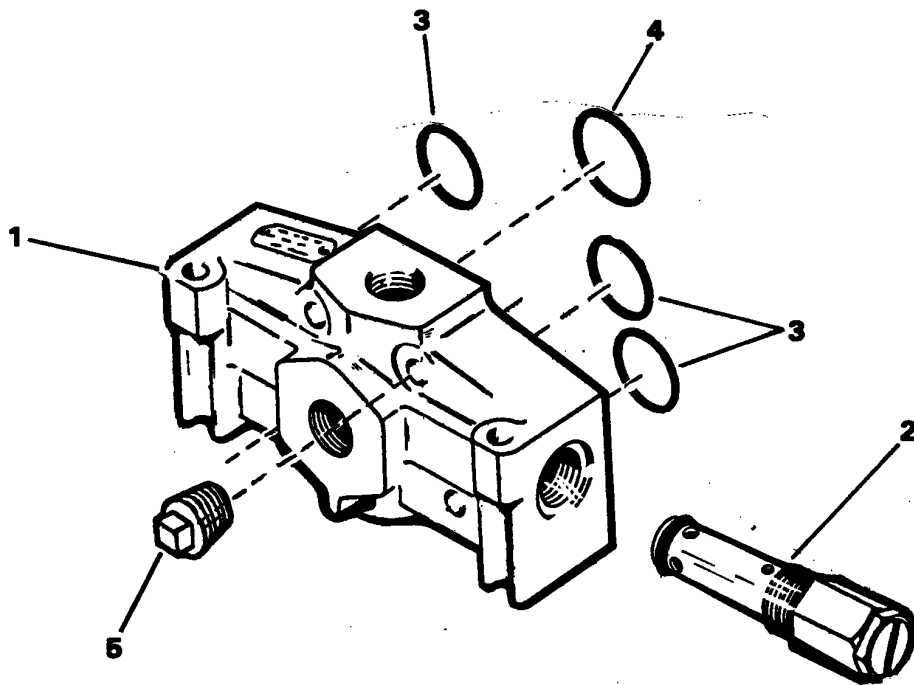
\* REPAIR KIT AND/OR PART OF KIT

# ***Manitowoc Cranes***

Notes

---

# Manitowoc Cranes



# Manitowoc Cranes

Description

**VALVE SECTION - INLET (A-35 SERIES)**

Assembly No.

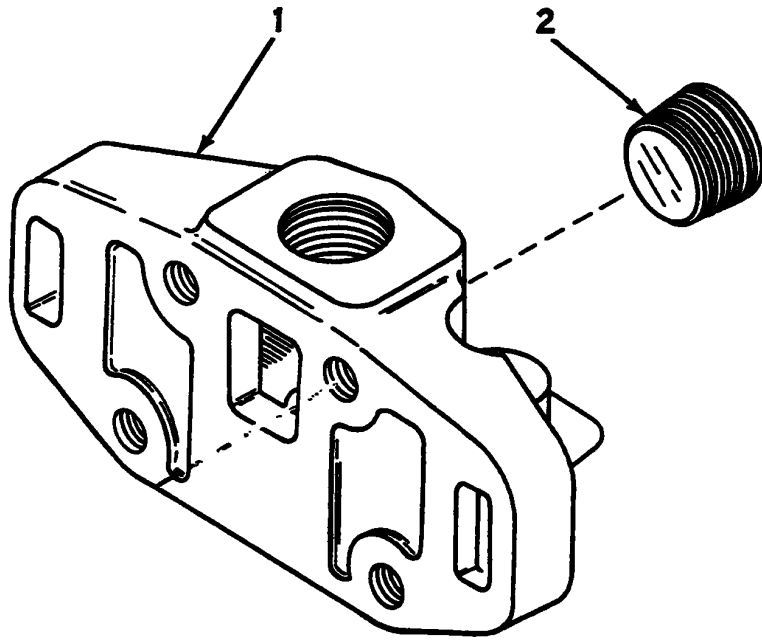
**7926000353**

Revision:

Item	FN	Part	Qty	Description
1		<b>NSS</b>	1	NOT SERVICED SEPARATELY HOUSING HOUSING
2		<b>9926101847</b>	1	VALVE ASSEMBLY - RELIEF 2500 PSI
		<b>9752100269</b>	1	INCLUDES THE FOLLOWING PARTS KIT, REPAIR (RELIEF VALVE)
3	*	<b>9926100721</b>	3	O-RING
4	*	<b>9926100723</b>	1	O-RING
5		<b>9926100674</b>	1	PLUG
		<b>9752100269</b>	1	INCLUDES THE FOLLOWING PARTS KIT, REPAIR (RELIEF VALVE)
6	*	<b>9752100268</b>	1	KIT, REPAIR (BETWEEN SECTION)

\* REPAIR KIT AND/OR PART OF KIT

# Manitowoc Cranes





# Manitowoc Cranes

Description

**VALVE ASSEMBLY - OUTLET**

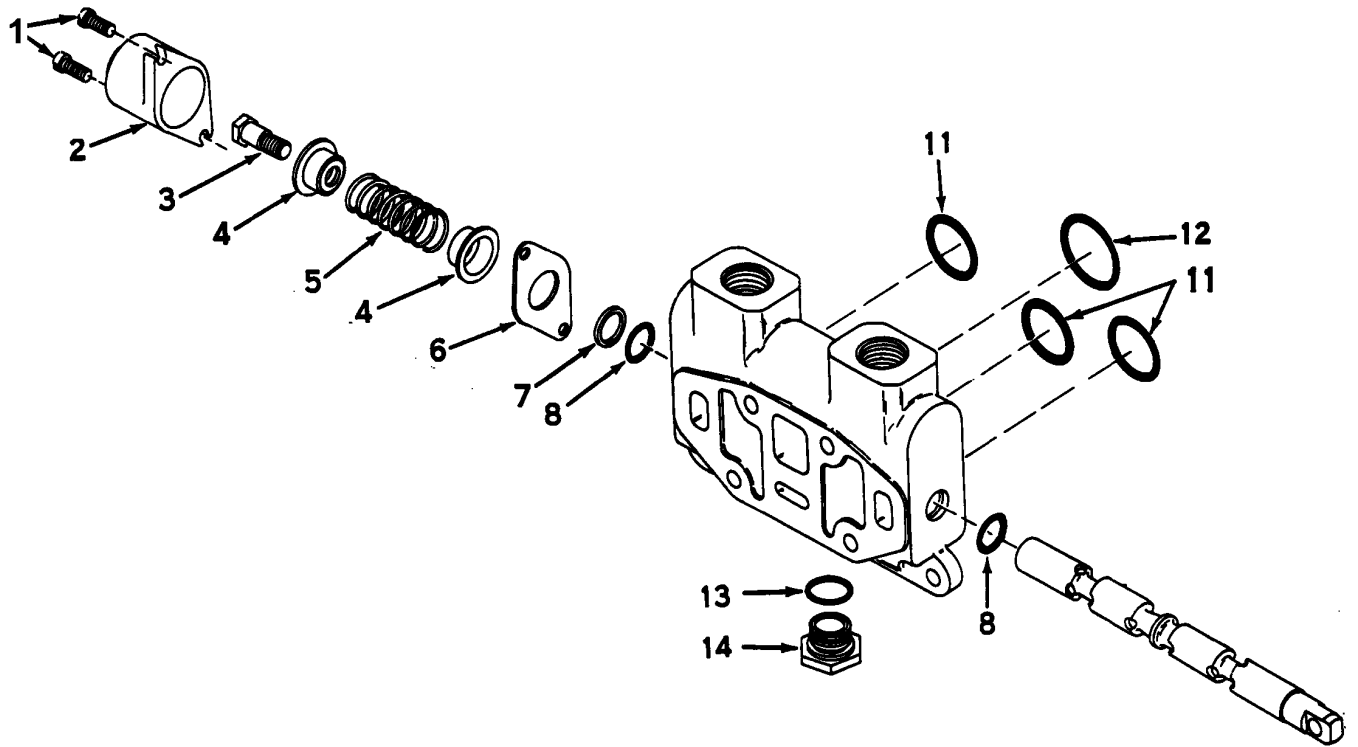
Assembly No.

**7926000229**

Revision:

Item	FN	Part	Qty	Description
1		NSS	1	NOT SERVICED SEPARATELY HOUSING HOUSING
2		9926100842	1	PLUG

# Manitowoc Cranes



# Manitowoc Cranes

Description

**VALVE ASSEMBLY - 4-WAY SECTION (A-35 SERIES)**

Assembly No.

**7926000228**

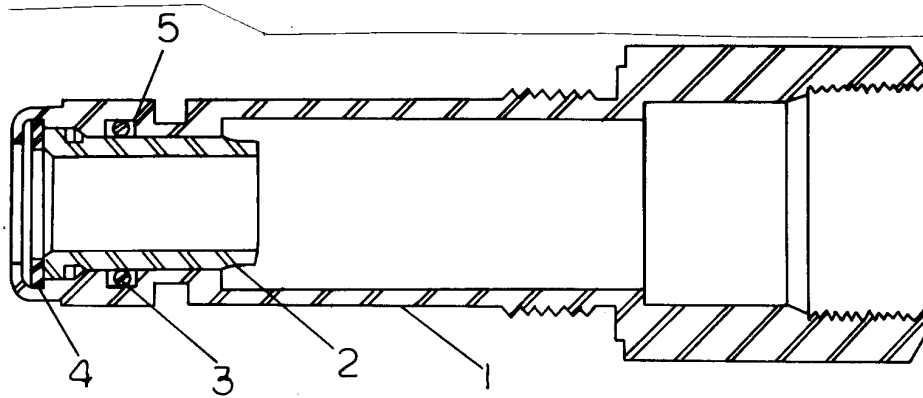
Revision:

Item	FN	Part	Qty	Description
1		9926100650	2	SCREW,
2		9926100651	1	CAP, VALVE
3		9926100652	1	CAP SCREW,
4		9926100653	2	GUIDE, SPRING
5		9926100654	1	SPRING, CAP
6		9926100655	1	PLATE, RETAINING
7		9926100714	1	RING, BACK-UP
8	*	7755212000	2	O-RING
11	@	9926100721	3	O-RING
12	@	9926100723	1	O-RING
13	*	7755216000	1	O-RING
14		9926100660	1	CAP, CHECK
15	@	9752100268	1	KIT, REPAIR (BETWEEN SECTION)
15	*	9752100270	1	KIT, REPAIR (SECTION)

\* REPAIR KIT AND/OR PART OF KIT

@ SECOND REPAIR KIT AND/OR PART OF 2ND KIT

# Manitowoc Cranes



# Manitowoc Cranes

Description

**CARTRIDGE ASSEMBLY**

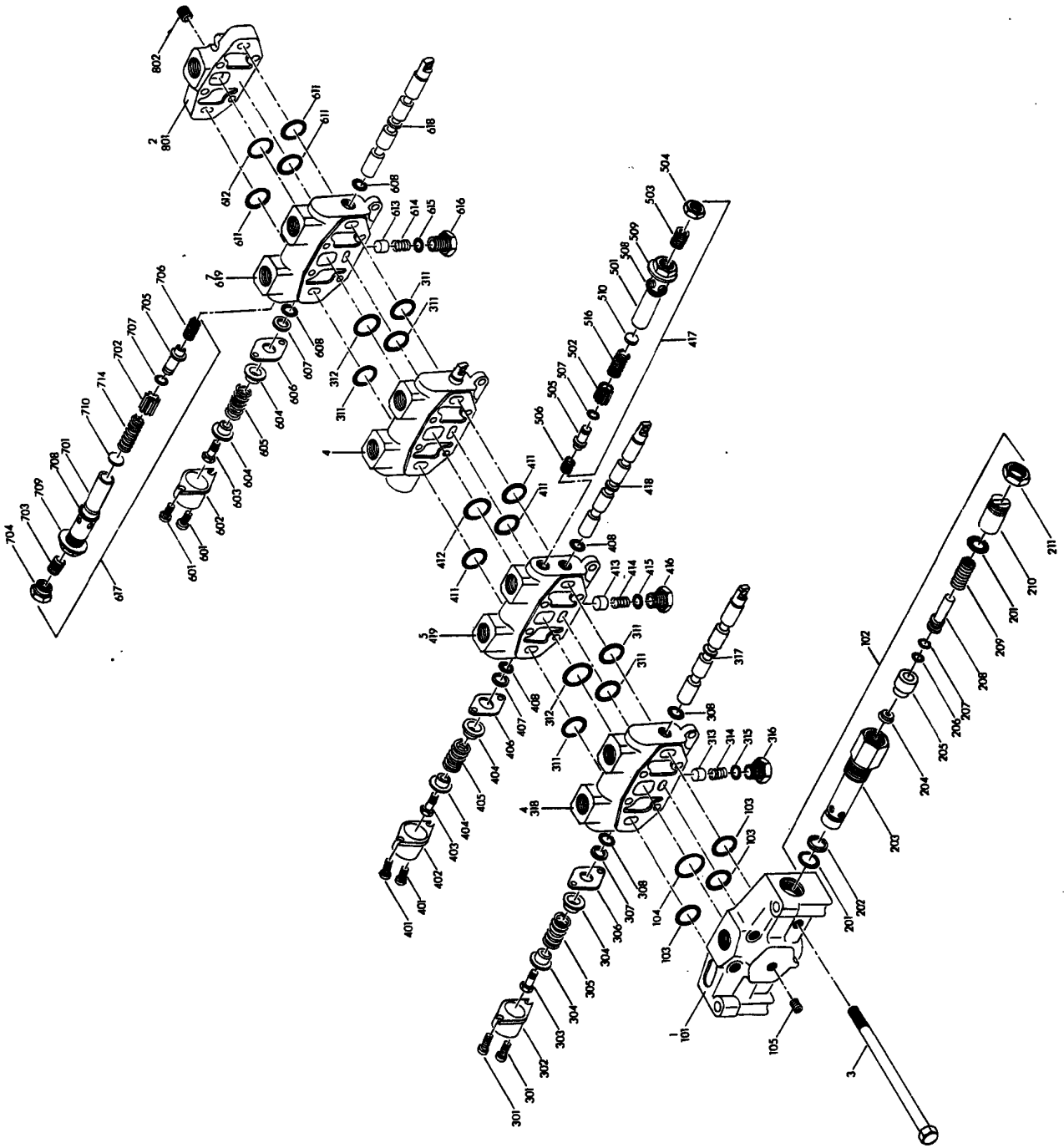
Assembly No.

**9926100698**

Revision:

Item	FN	Part	Qty	Description
1		9926101123	1	SHELL, CARTRIDGE
2		9926101124	1	POPPET
3		9926101126	1	O-RING
4		9926101127	1	RETAINER, POPPET
5		9926101125	1	RING, BACK-UP

# Manitowoc Cranes



# Manitowoc Cranes

Description

**VALVE BANK ASSEMBLY - FOUR SECTION A-35 SERIES**

Assembly No.

**6926000245**

Revision: **E**

Item	FN	Part	Qty	Description
1	+	7926000353	1	VALVE SECTION - INLET (A-35 SERIES) INCLUDES NBRS 101 - 105
1	+	7926000227	1	VALVE SECTION - INLET (A-35 SERIES)
2	+	7926000229	1	VALVE ASSEMBLY - OUTLET INCLUDES NBRS 801 AND 802
3		7099000088	4	BOLT ASSEMBLY
4	+	7926000233	2	VALVE ASSEMBLY - 4-WAY SECTION (A-35 SERIES)
5	+	7926000377	1	VALVE SECTION - RELIEF INCLUDES NBRS 401 - 419
5	+	7926000231	1	VALVE ASSEMBLY - 4-WAY
7	+	7926000232	1	VALVE SECTION - 4 WAY (A-35 SERIES)
101	#	NS	1	NOT SERVICED HOUSING
102		9926101847	1	VALVE ASSEMBLY - RELIEF 2500 PSI INCLUDES THE FOLLOWING PARTS
		9752100269	1	KIT, REPAIR (RELIEF VALVE)
102	+	9926101843	1	VALVE ASSEMBLY - RELIEF 2250 PSI
103	*	9926100721	3	O-RING
104	*	9926100723	1	O-RING
105		9926100674	1	PLUG INCLUDES THE FOLLOWING PARTS
		9752100269	1	KIT, REPAIR (RELIEF VALVE)
201		7755212000	2	O-RING
202		9926100697	1	WASHER,
203	+	9926100698	1	CARTRIDGE ASSEMBLY
204		9926100699	1	VALVE, CHECK
205		9926100700	1	SEAT, FLOATING
206	*	9926100701	1	O-RING
207	*	7755110609	1	RING, BACK-UP
208		9926100703	1	PLUNGER, DISPLACEMENT
209		9926101128	1	SPRING

+ SEE FURTHER BREAKDOWN THIS GROUP  
\* REPAIR KIT AND/OR PART OF KIT

# SERVICED AS AN ASSEMBLY ONLY

# Manitowoc Cranes

Description

**VALVE BANK ASSEMBLY - FOUR SECTION A-35 SERIES**

Assembly No.

**6926000245**

Revision: **E**

Item	FN	Part	Qty	Description
210		9926100705	1	SCREW, SPRING ADJUSTING
211		9926100706	1	NUT, LOCKING
301		9926100650	4	SCREW, (2 PER ASSEMBLY)
302		9926100651	2	CAP, VALVE (1 PER ASSEMBLY)
303		9926100652	2	CAP SCREW,
304		9926100653	4	GUIDE, SPRING (2 PER ASSEMBLY)
305		9926100654	2	SPRING, CAP
306		9926100655	2	PLATE, RETAINING
307		9926100714	2	RING, BACK-UP (1 PER ASSEMBLY)
308	*	7755212000	4	O-RING (2 PER ASSEMBLY)
311	@	9926100721	6	O-RING (3 PER ASSEMBLY)
312	@	9926100723	2	O-RING
313		9926100658	2	POPPET, CHECK (1 PER ASSEMBLY)
314		9926100659	2	SPRING, CHECK (1 PER ASSEMBLY)
315	*	7755216000	2	O-RING (1 PER ASSEMBLY)
316		9926100660	2	CAP, CHECK (1 PER ASSEMBLY)
317	@	NS	2	NOT SERVICED SPOOL (1 PER ASSEMBLY)
318	#	NS	2	NOT SERVICED BODY, VALVE (1 PER ASSEMBLY)
401		9926100650	2	SCREW,
402		9926100651	1	CAP, VALVE
403		9926100652	1	CAP SCREW,
404		9926100653	2	GUIDE, SPRING
405		9926100654	1	SPRING, CAP
406		9926100655	1	PLATE, RETAINING

\* REPAIR KIT AND/OR PART OF KIT  
# SERVICED AS AN ASSEMBLY ONLY

@ SECOND REPAIR KIT AND/OR PART OF 2ND KIT



# Manitowoc Cranes

Description

**VALVE BANK ASSEMBLY - FOUR SECTION A-35 SERIES**

Assembly No.

**6926000245**

Revision: **E**

Item	FN	Part	Qty	Description
407		9926100714	1	RING, BACK-UP
408	*	7755212000	2	O-RING
411	@	9926100721	3	O-RING
412	@	9926100723	1	O-RING
413		9926100658	1	POPPET, CHECK
414		9926100659	1	SPRING, CHECK
415	*	7755216000	1	O-RING
416		9926100660	1	CAP, CHECK
417	+	9926101848	1	VALVE ASSEMBLY - RELIEF INCLUDES NBRS 501 - 516
417	+	9926101841	1	VALVE ASSEMBLY - RELIEF INCLUDES NBRS 701 THRU 714
418	#	NS	1	NOT SERVICED SPOOL
419	#	NS	1	NOT SERVICED BODY, VALVE
501		9926101111	1	CARTRIDGE
502		9926101100	1	SEAT, FLOATING
503		9926101101	1	SET SCREW
504		9926101102	1	LOCKNUT
505		9926101103	1	POPPET
506		9926101104	1	SPRING, CHECK VALVE
507	*	7755010000	1	O-RING
508	*	7755014000	1	O-RING
509		9926101108	1	GASKET, LEAD COPPER
510		9926101105	1	SLUG, STEEL
516		9926101379	1	SPRING, RELIEF VALVE
516		9926101112	1	SPRING, RELIEF VALVE
601		9926100650	2	SCREW,
602		9926100651	1	CAP, VALVE
603		9926100652	1	CAP SCREW,
604		9926100653	2	GUIDE, SPRING
605		9926100654	1	SPRING, CAP
606		9926100655	1	PLATE, RETAINING
607		9926100714	1	RING, BACK-UP

\* REPAIR KIT AND/OR PART OF KIT  
+ SEE FURTHER BREAKDOWN THIS GROUP

@ SECOND REPAIR KIT AND/OR PART OF 2ND KIT  
# SERVICED AS AN ASSEMBLY ONLY

# Manitowoc Cranes

Description

**VALVE BANK ASSEMBLY - FOUR SECTION A-35 SERIES**

Assembly No.

**6926000245**

Revision: **E**

Item	FN	Part	Qty	Description
608	*	7755212000	2	O-RING
611	@	9926100721	3	O-RING
612	@	9926100723	1	O-RING
613		9926100658	1	POPPET, CHECK
614		9926100659	1	SPRING, CHECK
615	*	7755216000	1	O-RING
616		9926100660	1	CAP, CHECK
617	+	9926101841	1	VALVE ASSEMBLY - RELIEF INCLUDES NBRS 701 THRU 714
618	#	NS	1	NOT SERVICED SPOOL
619	#	NS	1	NOT SERVICED BODY, VALVE
701		9926101111	1	CARTRIDGE
702		9926101100	1	SEAT, FLOATING
703		9926101101	1	SET SCREW
704		9926101102	1	LOCKNUT
705		9926101103	1	POPPET
706		9926101104	1	SPRING, CHECK VALVE
707	*	7755010000	1	O-RING
708	*	7755014000	1	O-RING
709		9926101108	1	GASKET, LEAD COPPER
710		9926101105	1	SLUG, STEEL
714		9926101112	1	SPRING, RELIEF VALVE
801	#	NS	1	NOT SERVICED HOUSING
802		9926100842	1	PLUG
803	*	9752100266	1	KIT, REPAIR (RELIEF VALVE)
803	*	9752100266	1	KIT, REPAIR (RELIEF VALVE)
803	@	9752100268	1	KIT, REPAIR (BETWEEN SECTION)
803	@	9752100268	1	KIT, REPAIR (BETWEEN SECTION)
803	@	9752100268	1	KIT, REPAIR (BETWEEN SECTION)

\* REPAIR KIT AND/OR PART OF KIT  
+ SEE FURTHER BREAKDOWN THIS GROUP

@ SECOND REPAIR KIT AND/OR PART OF 2ND KIT  
# SERVICED AS AN ASSEMBLY ONLY

# Manitowoc Cranes

Description

**VALVE BANK ASSEMBLY - FOUR SECTION A-35 SERIES**

Assembly No.

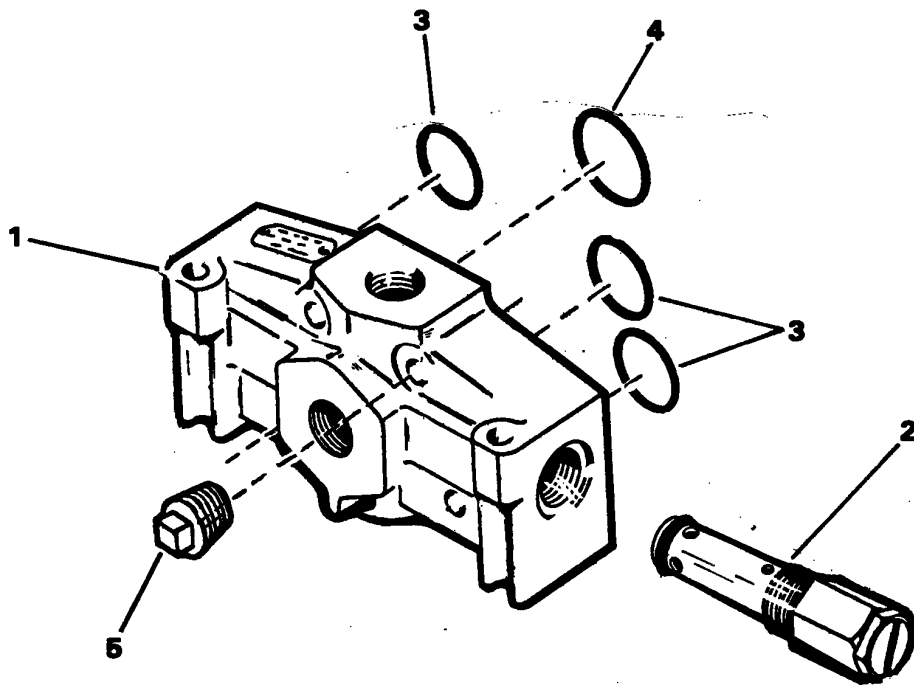
**6926000245**

Revision: **E**

Item	FN	Part	Qty	Description
803	*	9752100268	1	KIT, REPAIR (BETWEEN SECTION)
803	*	9752100269	1	KIT, REPAIR (RELIEF VALVE)
803	*	9752100270	1	KIT, REPAIR (SECTION)
803	*	9752100270	1	KIT, REPAIR (SECTION)
803	*	9752100270	1	KIT, REPAIR (SECTION)

\* REPAIR KIT AND/OR PART OF KIT

# Manitowoc Cranes



# Manitowoc Cranes

Description

**VALVE SECTION - INLET (A-35 SERIES)**

Assembly No.

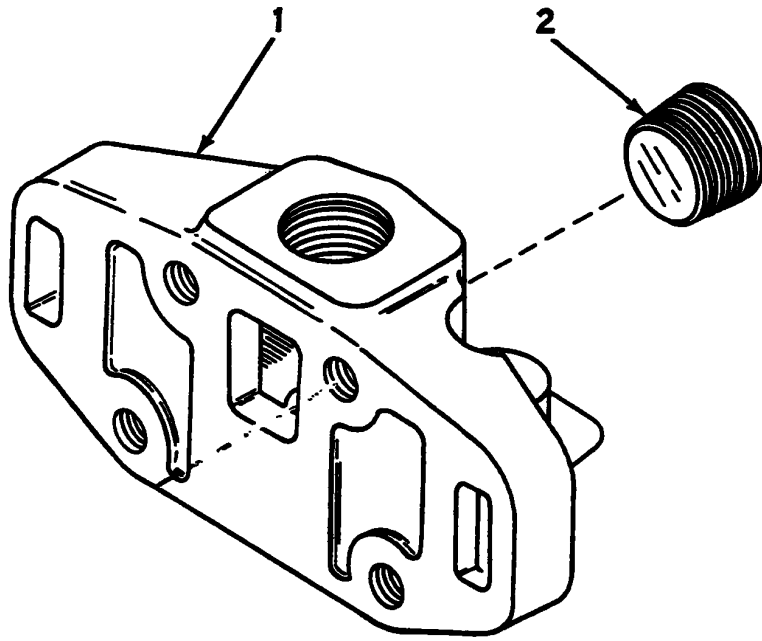
**7926000353**

Revision:

Item	FN	Part	Qty	Description
1		<b>NSS</b>	1	NOT SERVICED SEPARATELY HOUSING HOUSING
2		<b>9926101847</b>	1	VALVE ASSEMBLY - RELIEF 2500 PSI
		<b>9752100269</b>	1	INCLUDES THE FOLLOWING PARTS KIT, REPAIR (RELIEF VALVE)
3	*	<b>9926100721</b>	3	O-RING
4	*	<b>9926100723</b>	1	O-RING
5		<b>9926100674</b>	1	PLUG
		<b>9752100269</b>	1	INCLUDES THE FOLLOWING PARTS KIT, REPAIR (RELIEF VALVE)
6	*	<b>9752100268</b>	1	KIT, REPAIR (BETWEEN SECTION)

\* REPAIR KIT AND/OR PART OF KIT

# Manitowoc Cranes



# Manitowoc Cranes

Description

**VALVE ASSEMBLY - OUTLET**

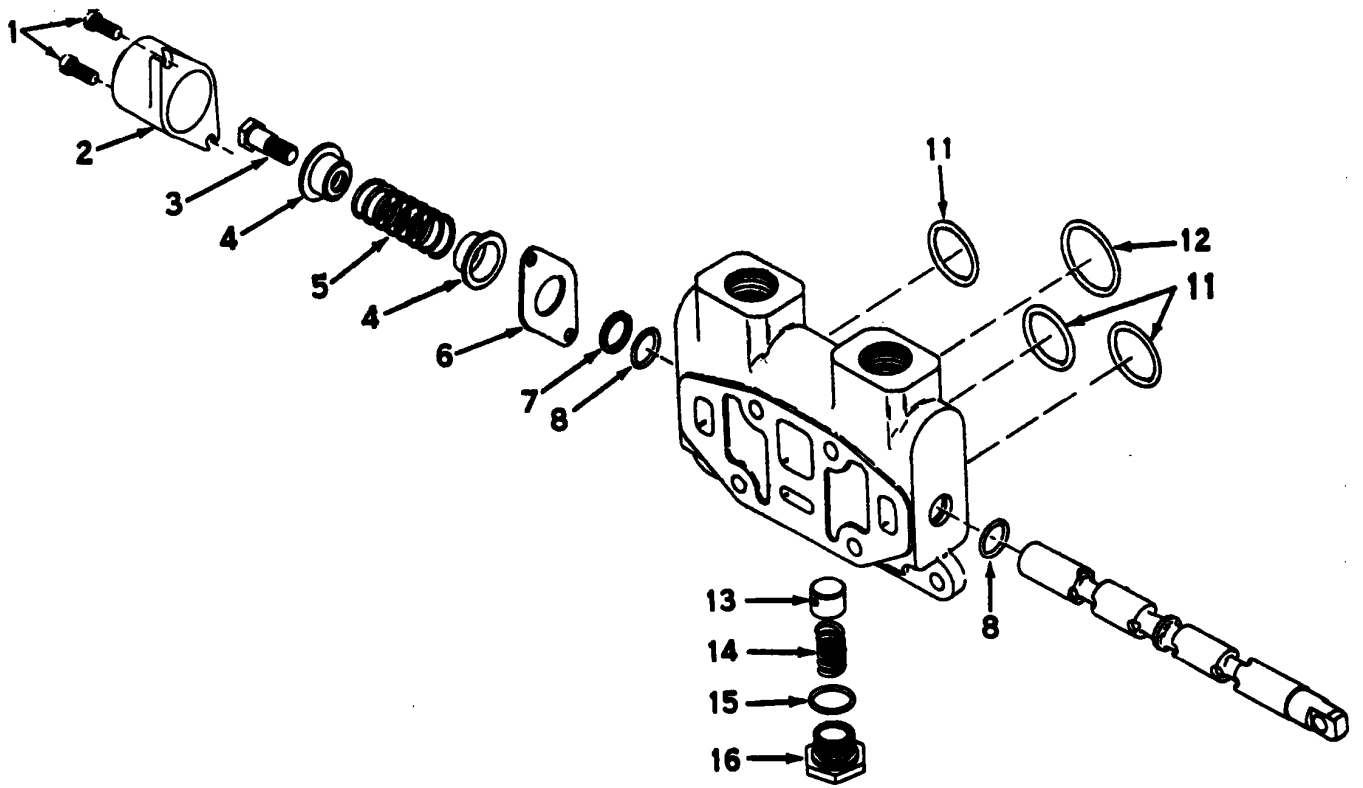
Assembly No.

**7926000229**

Revision:

Item	FN	Part	Qty	Description
1		NSS	1	NOT SERVICED SEPARATELY HOUSING HOUSING
2		9926100842	1	PLUG

# Manitowoc Cranes





# Manitowoc Cranes

Description

**VALVE ASSEMBLY - 4-WAY SECTION (A-35 SERIES)**

Assembly No.

**7926000233**

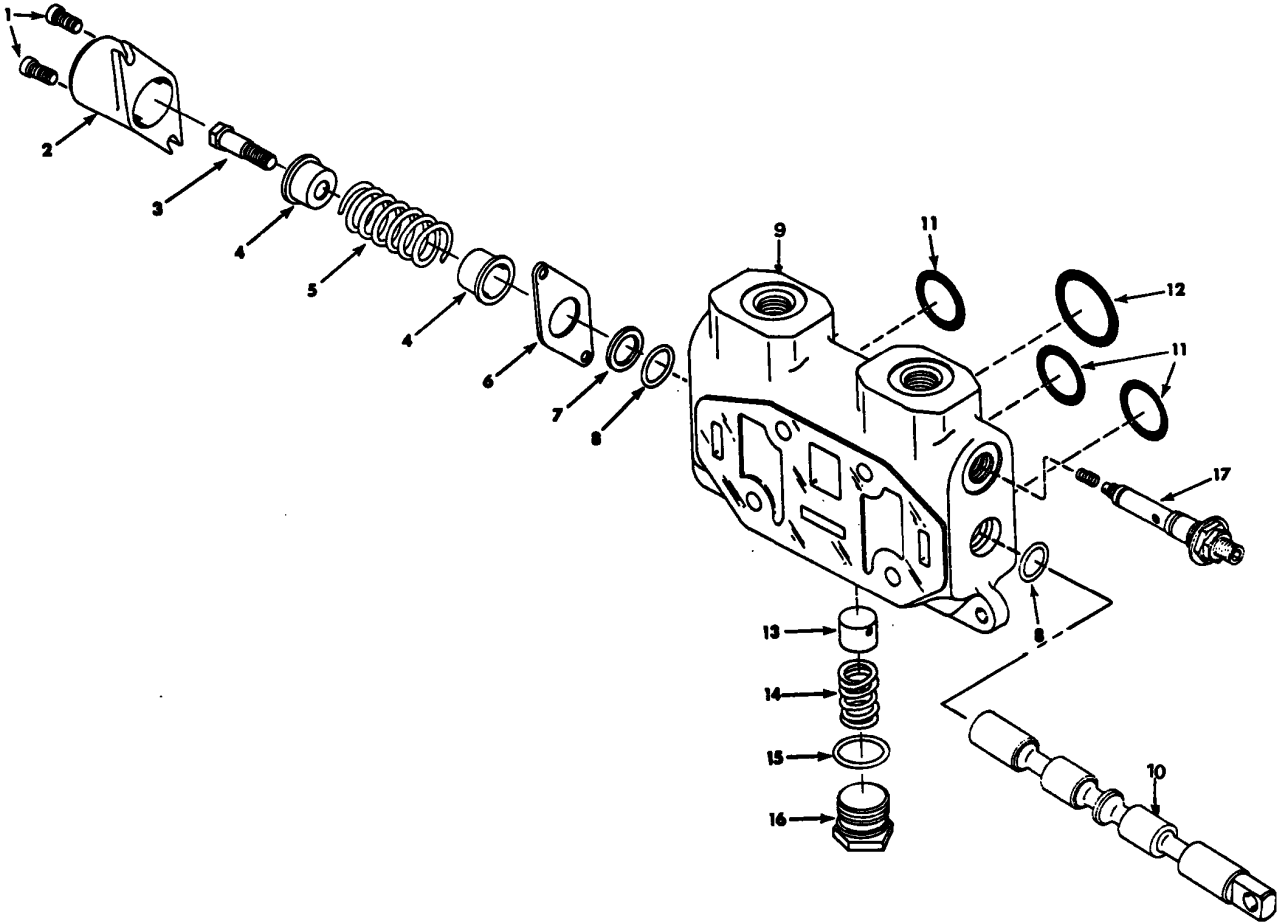
Revision:

Item	FN	Part	Qty	Description
1		9926100650	2	SCREW,
2		9926100651	1	CAP, VALVE
3		9926100652	1	CAP SCREW,
4		9926100653	2	GUIDE, SPRING
5		9926100654	1	SPRING, CAP
6		9926100655	1	PLATE, RETAINING
7		9926100714	1	RING, BACK-UP
8	*	7755212000	2	O-RING
11	@	9926100721	3	O-RING
12	@	9926100723	1	O-RING
13		9926100658	1	POPPET, CHECK
14		9926100659	1	SPRING, CHECK
15	*	7755216000	1	O-RING
16		9926100660	1	CAP, CHECK
17	@	9752100268	1	KIT, REPAIR (BETWEEN SECTION)
17	*	9752100270	1	KIT, REPAIR (SECTION)

\* REPAIR KIT AND/OR PART OF KIT

@ SECOND REPAIR KIT AND/OR PART OF 2ND KIT

# Manitowoc Cranes



# Manitowoc Cranes

Description

**VALVE SECTION - RELIEF**

Assembly No.

**7926000377**

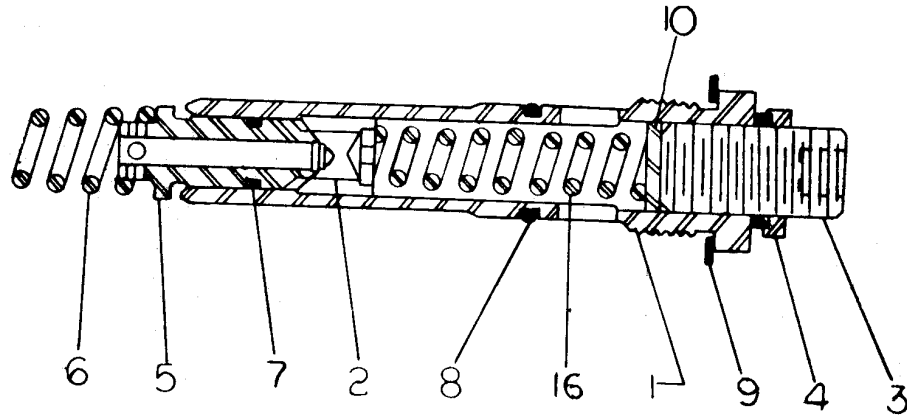
Revision:

Item	FN	Part	Qty	Description
1		9926100650	2	SCREW,
2		9926100651	1	CAP, VALVE
3		9926100652	1	CAP SCREW,
4		9926100653	2	GUIDE, SPRING
5		9926100654	1	SPRING, CAP
6		9926100655	1	PLATE, RETAINING
7		9926100714	1	RING, BACK-UP
8	*	7755212000	2	O-RING
9	#	NS	1	NOT SERVICED BODY
10	#	NS	1	NOT SERVICED SPOOL
11	@	9926100721	3	O-RING
12	@	9926100723	1	O-RING
13		9926100658	1	POPPET, CHECK
14		9926100659	1	SPRING, CHECK
15	*	7755216000	1	O-RING
16		9926100660	1	CAP, CHECK
17	+	9926101848	1	VALVE ASSEMBLY - RELIEF
18	@	9752100268	1	KIT, REPAIR (BETWEEN SECTION)
18	*	9752100270	1	KIT, REPAIR (SECTION)

\* REPAIR KIT AND/OR PART OF KIT  
@ SECOND REPAIR KIT AND/OR PART OF 2ND KIT

# SERVICED AS AN ASSEMBLY ONLY  
+ SEE FURTHER BREAKDOWN THIS GROUP

# Manitowoc Cranes



# Manitowoc Cranes

Description

**VALVE ASSEMBLY - RELIEF**

Assembly No.

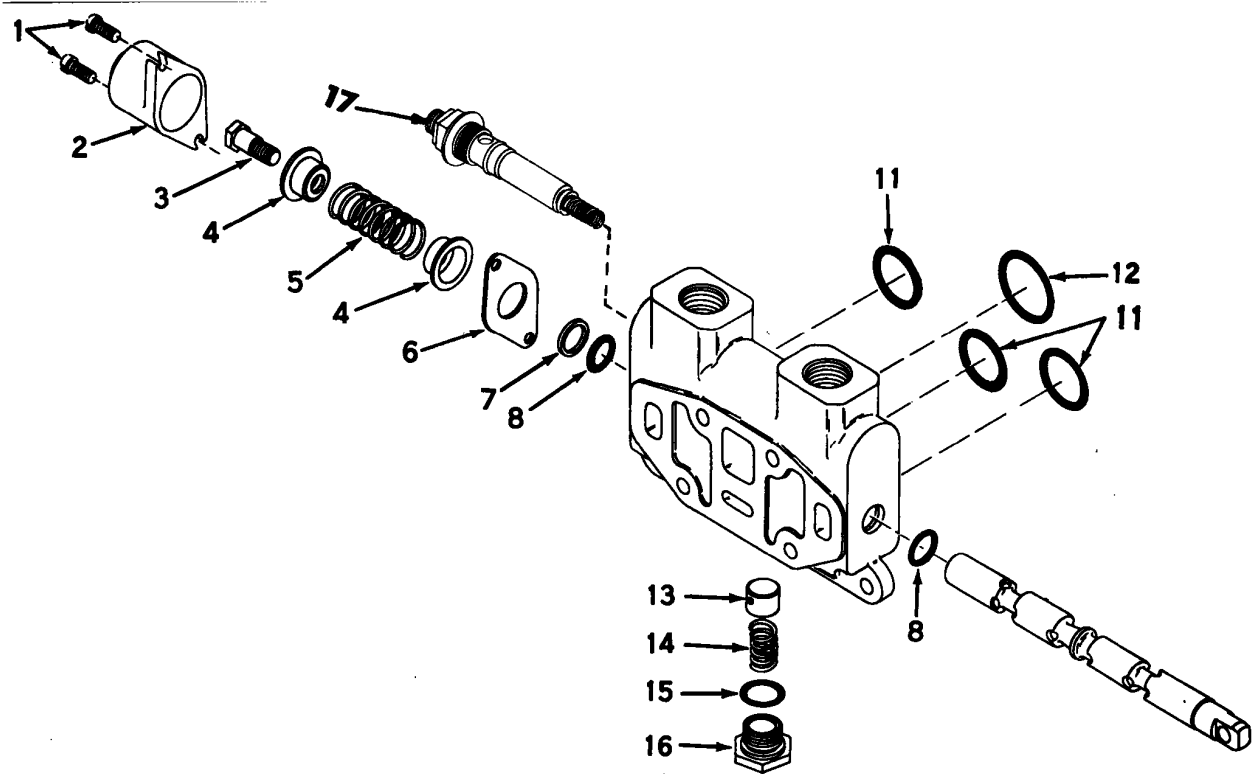
**9926101848**

Revision:

Item	FN	Part	Qty	Description
1		9926101111	1	CARTRIDGE
2		9926101100	1	SEAT, FLOATING
3		9926101101	1	SET SCREW
4		9926101102	1	LOCKNUT
5		9926101103	1	POPPET
6		9926101104	1	SPRING, CHECK VALVE
7	*	7755010000	1	O-RING
8	*	7755014000	1	O-RING
9		9926101108	1	GASKET, LEAD COPPER
10		9926101105	1	SLUG, STEEL
16		9926101379	1	SPRING, RELIEF VALVE
17	*	9752100266	1	KIT, REPAIR (RELIEF VALVE)

\* REPAIR KIT AND/OR PART OF KIT

# Manitowoc Cranes



# Manitowoc Cranes

Description

**VALVE SECTION - 4 WAY (A-35 SERIES)**

Assembly No.

**7926000232**

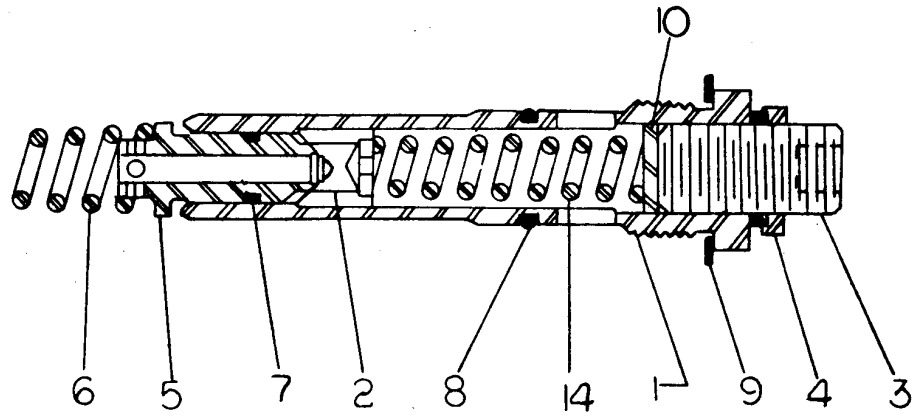
Revision:

Item	FN	Part	Qty	Description
1		9926100650	2	SCREW,
2		9926100651	1	CAP, VALVE
3		9926100652	1	CAP SCREW,
4		9926100653	2	GUIDE, SPRING
5		9926100654	1	SPRING, CAP
6		9926100655	1	PLATE, RETAINING
7		9926100714	1	RING, BACK-UP
8	*	7755212000	2	O-RING
11	@	9926100721	3	O-RING
12	@	9926100723	1	O-RING
13		9926100658	1	POPPET, CHECK
14		9926100659	1	SPRING, CHECK
15	*	7755216000	1	O-RING
16		9926100660	1	CAP, CHECK
17	+	9926101841	1	VALVE ASSEMBLY - RELIEF
18	@	9752100268	1	KIT, REPAIR (BETWEEN SECTION)
18	*	9752100270	1	KIT, REPAIR (SECTION)

\* REPAIR KIT AND/OR PART OF KIT  
+ SEE FURTHER BREAKDOWN THIS GROUP

@ SECOND REPAIR KIT AND/OR PART OF 2ND KIT

# Manitowoc Cranes





# Manitowoc Cranes

Description

**VALVE ASSEMBLY - RELIEF**

Assembly No.

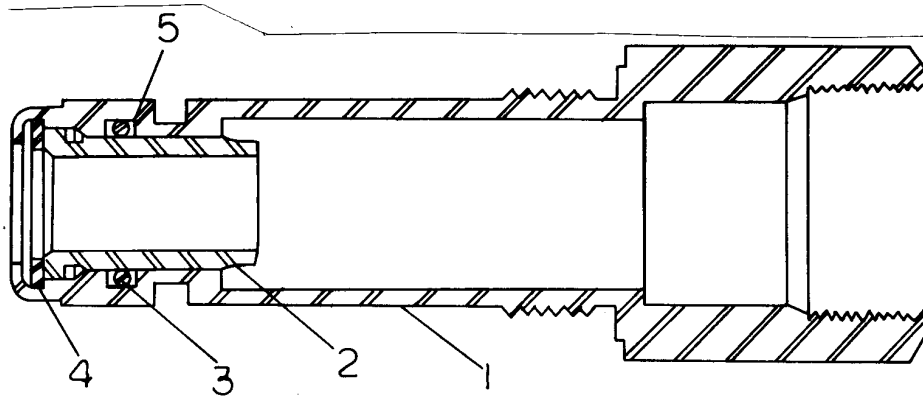
**9926101841**

Revision:

Item	FN	Part	Qty	Description
1		9926101111	1	CARTRIDGE
2		9926101100	1	SEAT, FLOATING
3		9926101101	1	SET SCREW
4		9926101102	1	LOCKNUT
5		9926101103	1	POPPET
6		9926101104	1	SPRING, CHECK VALVE
7	*	7755010000	1	O-RING
8	*	7755014000	1	O-RING
9		9926101108	1	GASKET, LEAD COPPER
10		9926101105	1	SLUG, STEEL
14		9926101112	1	SPRING, RELIEF VALVE
15	*	9752100266	1	KIT, REPAIR (RELIEF VALVE)

\* REPAIR KIT AND/OR PART OF KIT

# Manitowoc Cranes



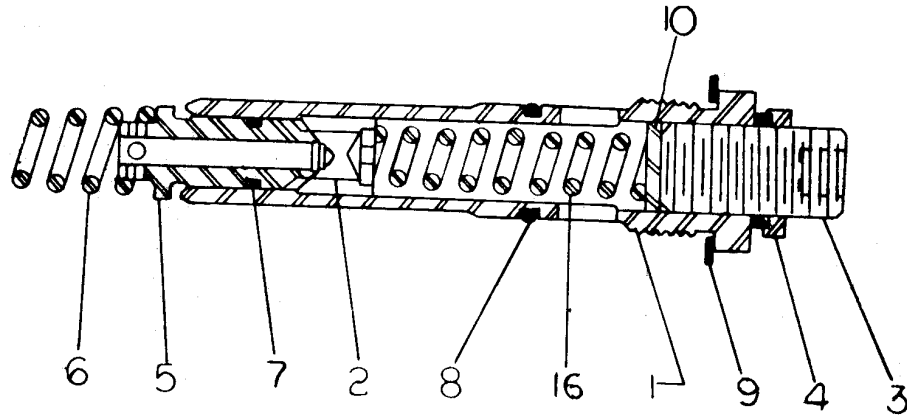
# Manitowoc Cranes

Description  
**CARTRIDGE ASSEMBLY**

Assembly No.  
**9926100698**  
Revision:

Item	FN	Part	Qty	Description
1		9926101123	1	SHELL, CARTRIDGE
2		9926101124	1	POPPET
3		9926101126	1	O-RING
4		9926101127	1	RETAINER, POPPET
5		9926101125	1	RING, BACK-UP

# Manitowoc Cranes



# Manitowoc Cranes

Description

**VALVE ASSEMBLY - RELIEF**

Assembly No.

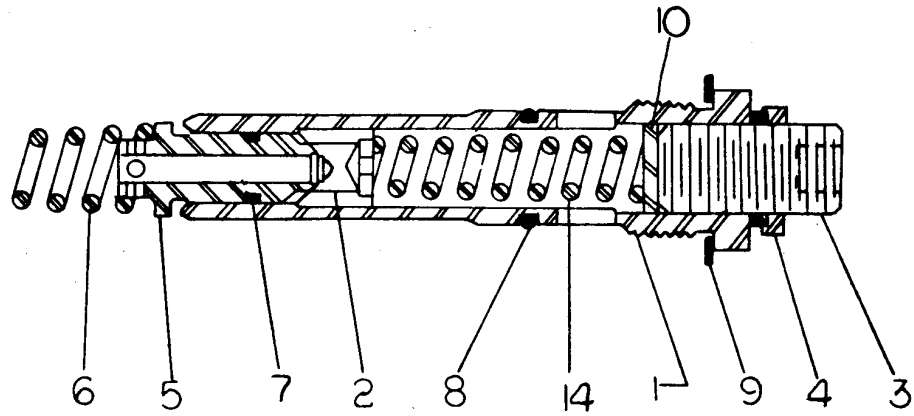
**9926101848**

Revision:

Item	FN	Part	Qty	Description
1		9926101111	1	CARTRIDGE
2		9926101100	1	SEAT, FLOATING
3		9926101101	1	SET SCREW
4		9926101102	1	LOCKNUT
5		9926101103	1	POPPET
6		9926101104	1	SPRING, CHECK VALVE
7	*	7755010000	1	O-RING
8	*	7755014000	1	O-RING
9		9926101108	1	GASKET, LEAD COPPER
10		9926101105	1	SLUG, STEEL
16		9926101379	1	SPRING, RELIEF VALVE
17	*	9752100266	1	KIT, REPAIR (RELIEF VALVE)

\* REPAIR KIT AND/OR PART OF KIT

# Manitowoc Cranes



# Manitowoc Cranes

Description

**VALVE ASSEMBLY - RELIEF**

Assembly No.

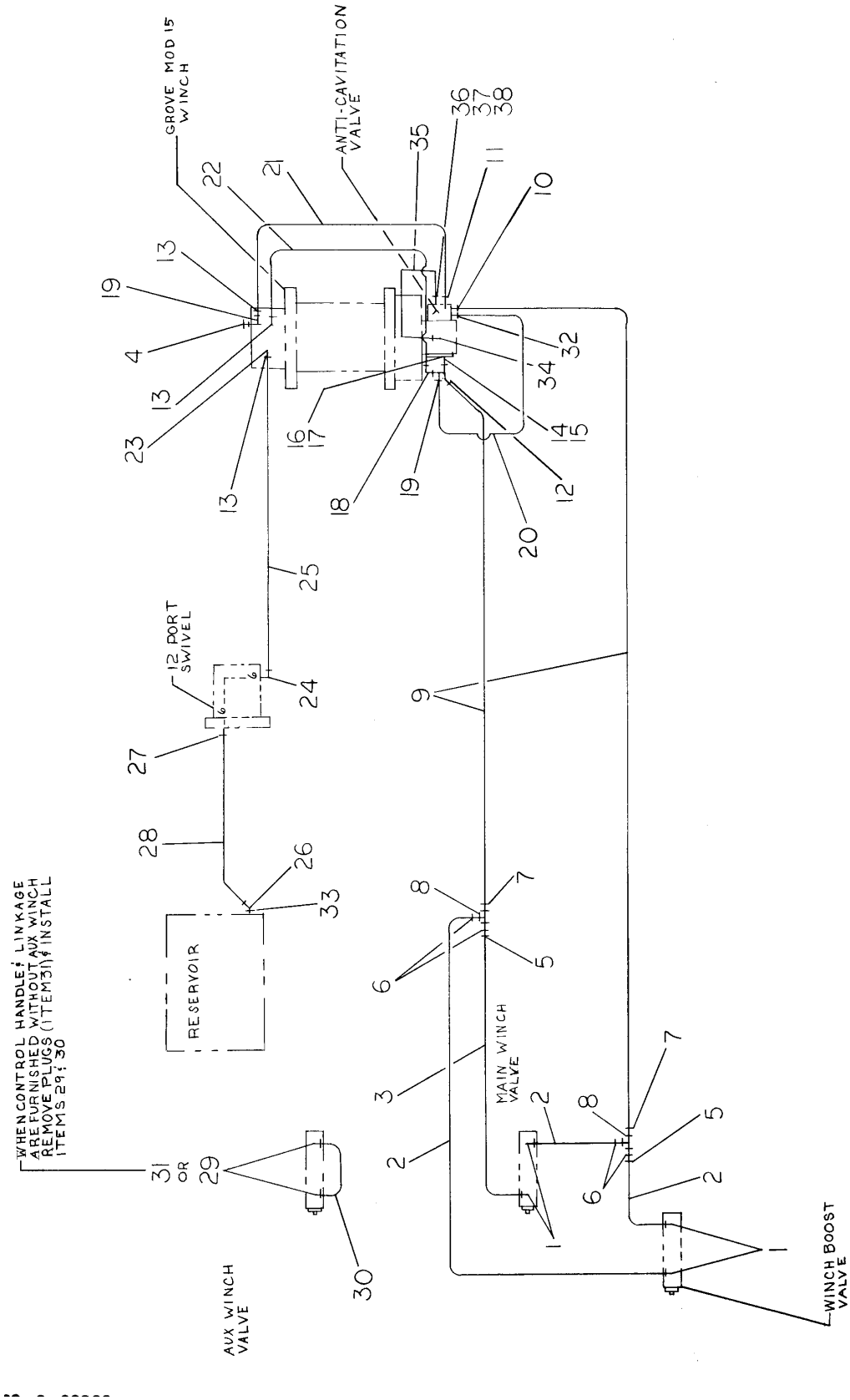
**9926101841**

Revision:

Item	FN	Part	Qty	Description
1		9926101111	1	CARTRIDGE
2		9926101100	1	SEAT, FLOATING
3		9926101101	1	SET SCREW
4		9926101102	1	LOCKNUT
5		9926101103	1	POPPET
6		9926101104	1	SPRING, CHECK VALVE
7	*	7755010000	1	O-RING
8	*	7755014000	1	O-RING
9		9926101108	1	GASKET, LEAD COPPER
10		9926101105	1	SLUG, STEEL
14		9926101112	1	SPRING, RELIEF VALVE
15	*	9752100266	1	KIT, REPAIR (RELIEF VALVE)

\* REPAIR KIT AND/OR PART OF KIT

# Manitowoc Cranes





# Manitowoc Cranes

Description

**LINES INSTALL-MOD 15 HOIST HYD**

Assembly No.

**2160600200**

Revision:

Item	FN	Part	Qty	Description
1		7445121211	4	ADAPTER, 45 DEGREE SWIVEL INCLUDES THE FOLLOWING PARTS
		7755912002	1	O-RING
2		7545504280	3	HOSE ASSY, USE AS REQUIRED 3/4" I.D. X 42"
3		7545506080	1	HOSE ASSY, USE AS REQUIRED 3/4" X 60"
4		7444020016	1	PLUG, PIPE 1/4" N.P.T.
5		7445161209	2	ADAPTER, 45 DEGREE SWIVEL
6		7445161250	4	BUSHING, REDUCER
7		7445162001	2	ADAPTER, SWIVEL
8		7445161655	2	TEE
9		7545714430	2	HOSE ASSY, USE AS REQUIRED 1 1/4"
10		7445202008	1	ADAPTER, 90 DEGREE SWIVEL
11		7013000183	1	ADAPTER INCLUDES THE FOLLOWING PARTS
		7755906000	1	O-RING
12		7445202009	1	SWIVEL ADAPTER
13		7445040404	3	ADAPTER, 90 DEGREE SWIVEL
14		7443000002	1	FITTING, O-RING
15		7755222000	1	O-RING
16		7949000083	4	WASHER, LOCK
17		7110171405	4	CAP SCREW, 7/16" - 14 N.C. X 1 3/4" GRADE 1
18		7443000059	1	ADAPTER, SWIVEL
19		7888000033	2	TEE, SERVICE
20		7545101820	1	HOSE ASSY, USE AS REQUIRED 1/4" I.D. X 18"
21		7545103620	1	HOSE ASSY, USE AS REQUIRED 1/4" I.D. X 36"
22		7542104804	1	HOSE ASSY, USE AS REQUIRED 5/16" I.D. X 48"
23		7445080417	1	ADAPTER, REDUCING
24		7445080804	1	ELBOW, 90 DEGREE
25		7542312006	1	HOSE ASSY, USE AS REQUIRED 1/2" X 120"

# Manitowoc Cranes

Description

**LINES INSTALL-MOD 15 HOIST HYD**

Assembly No.

**2160600200**

Revision:

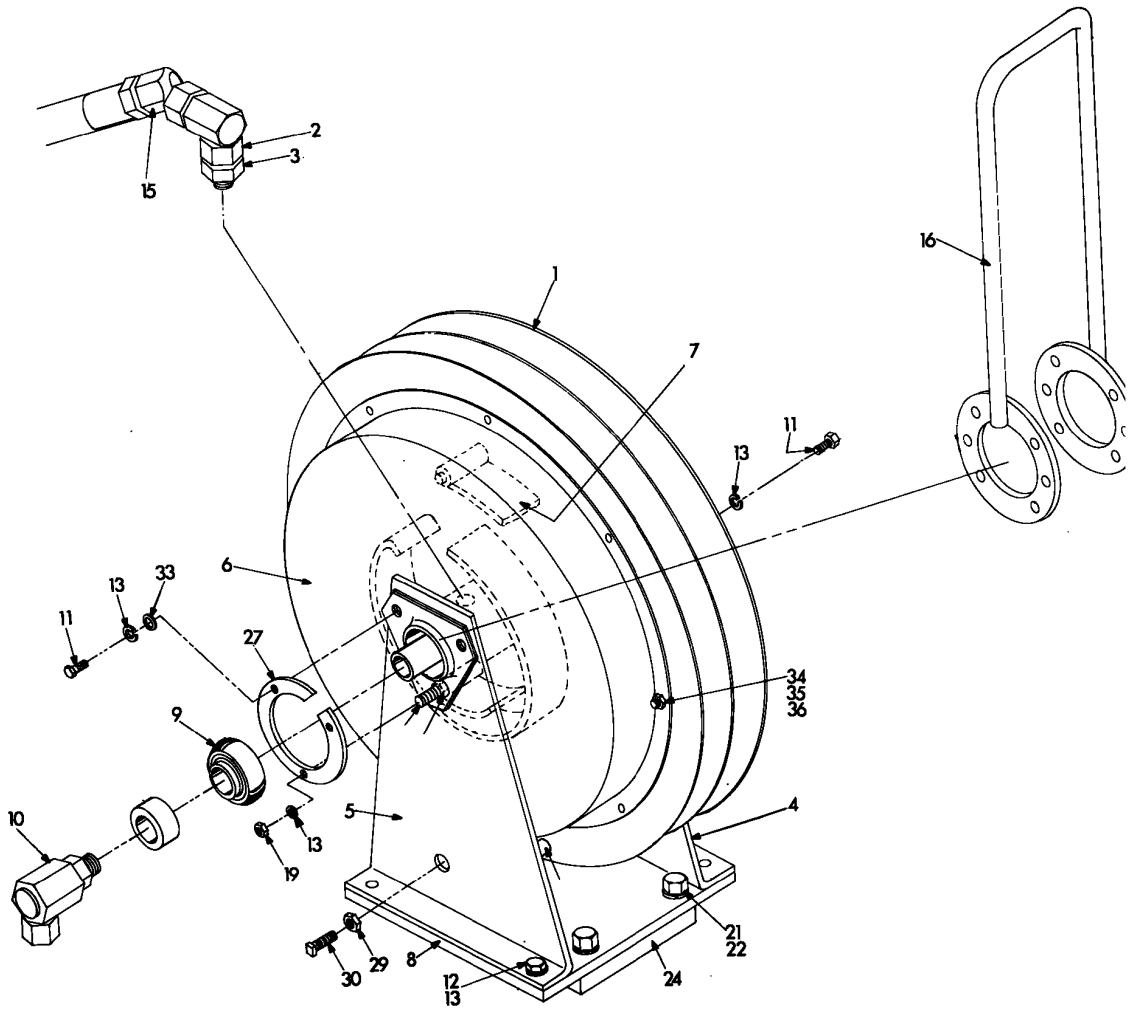
Item	FN	Part	Qty	Description
26		7445080809	1	ADAPTER, SWIVEL
27		7445080801	1	ADAPTER, STRAIGHT
28		7542304806	1	HOSE ASSY, USE AS REQUIRED HOSE ASSY, 1/2" I.D. X 48" LONG
29		7445121211	2	ADAPTER, 45 DEGREE SWIVEL INCLUDES THE FOLLOWING PARTS
		7755912002	1	O-RING
30		7545502420	1	HOSE ASSY, USE AS REQUIRED 3/4" I.D. X 24"
31		7709000029	2	O-RING PLUG #12 INCLUDES THE FOLLOWING PARTS
		7755912002	1	O-RING
32		7445060408	1	ELBOW, 90 DEGREE
33		7444080456	1	BUSHING, HEX REDUCING
34		7406000040	1	ELBOW, MALE
35		6911041201	1	TUBING, COPPER
36		7445040643	1	ADAPTER, STRAIGHT INCLUDES THE FOLLOWING PARTS
		7755906002	1	O-RING
37		7445040441	1	SLEEVE
38		7445040442	1	NUT

# ***Manitowoc Cranes***

Notes

---

# Manitowoc Cranes



# Manitowoc Cranes

Description

**HOSE REEL INSTALLATION - RIGHT HAND**

Assembly No.

**6738000023**

Revision:

Item	FN	Part	Qty	Description
1		6400000033	1	DRUM, HOSE REEL
2		7445060804	2	ELBOW, 90 DEGREE
3		7013000041	2	ADAPTER
4		6184000196	1	BRACKET
5		6184000341	1	BRACKET
6		4142200062	1	COVER, SPRING
7		7834000010	1	SPRING
8		6705001760	1	PLATE, MOUNTING
9		7069000173	2	BEARING
10		7364000022	2	JOINT, SWIVEL
				INCLUDES THE FOLLOWING PARTS
		9576100060	1	KIT, REPAIR
11		7115160750	5	CAP SCREW, 3/8" - 16 N.C. X 7/8" GRADE 5
12		7115160850	4	CAP SCREW, 3/8" - 16 N.C. X 1" GRADE 5
13		7950160020	10	WASHER, LOCK 3/8" I.D.
15		7406000030	2	ELBOW
16		6814000048	1	GUARD, ROD
19		7660160000	1	NUT, HEX 3/8" - 16 N.C.
21		7115180850	4	CAP SCREW, 1/2"-13 UNC X 1"
22		7950180050	4	WASHER, LOCK 1/2" I.D.
24		6705001994	2	PLATE, MOUNTING
25		7660160200	1	NUT, HEX JAM 3/8" - 16 N.C.
26		6864000066	1	STUD
27		6814000034	2	GUARD
29		7660180200	1	NUT, HEX 1/2" - 13 N.C.
31		7785185223	1	SET SCREW 1/2" - 13 N.C. X 3 1/4"
32		6200121008	1	BUSHING
33		7950160141	2	WASHER, 3/8" PLAIN NARROW
34		7660140000	8	NUT, HEX 1/4" - 20 N.C.

# Manitowoc Cranes

Description

**HOSE REEL INSTALLATION - RIGHT HAND**

Assembly No.

**6738000023**

Revision:

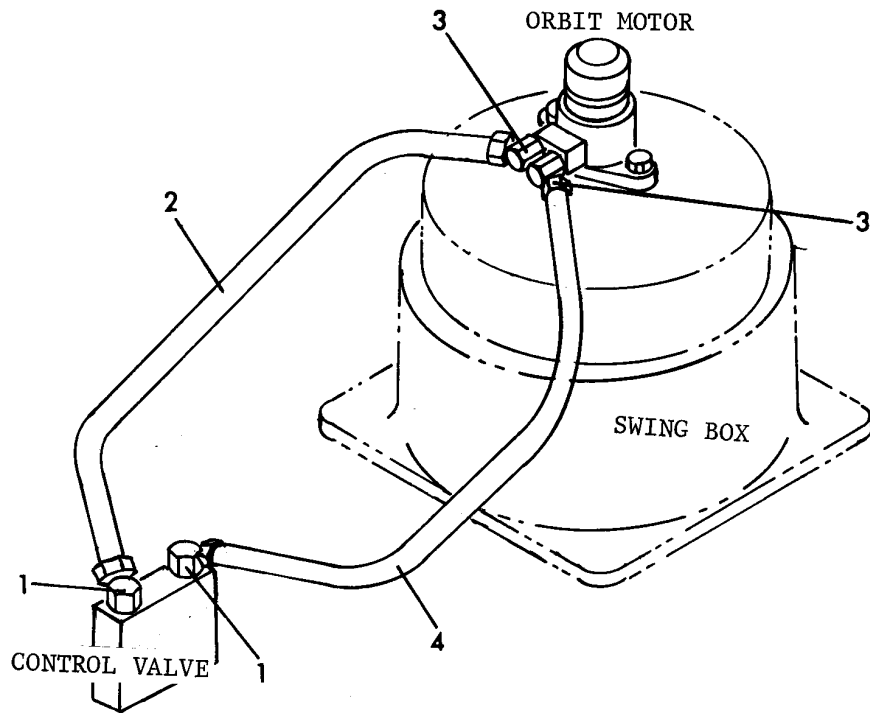
Item	FN	Part	Qty	Description
35		7950140050	8	WASHER, LOCK 1/4"
36		7950140161	8	WASHER, 1/4" I.D. FLAT WIDE

# ***Manitowoc Cranes***

Notes

---

# Manitowoc Cranes





# Manitowoc Cranes

Description

**FREE SWING HYD. LINES INSTALL**

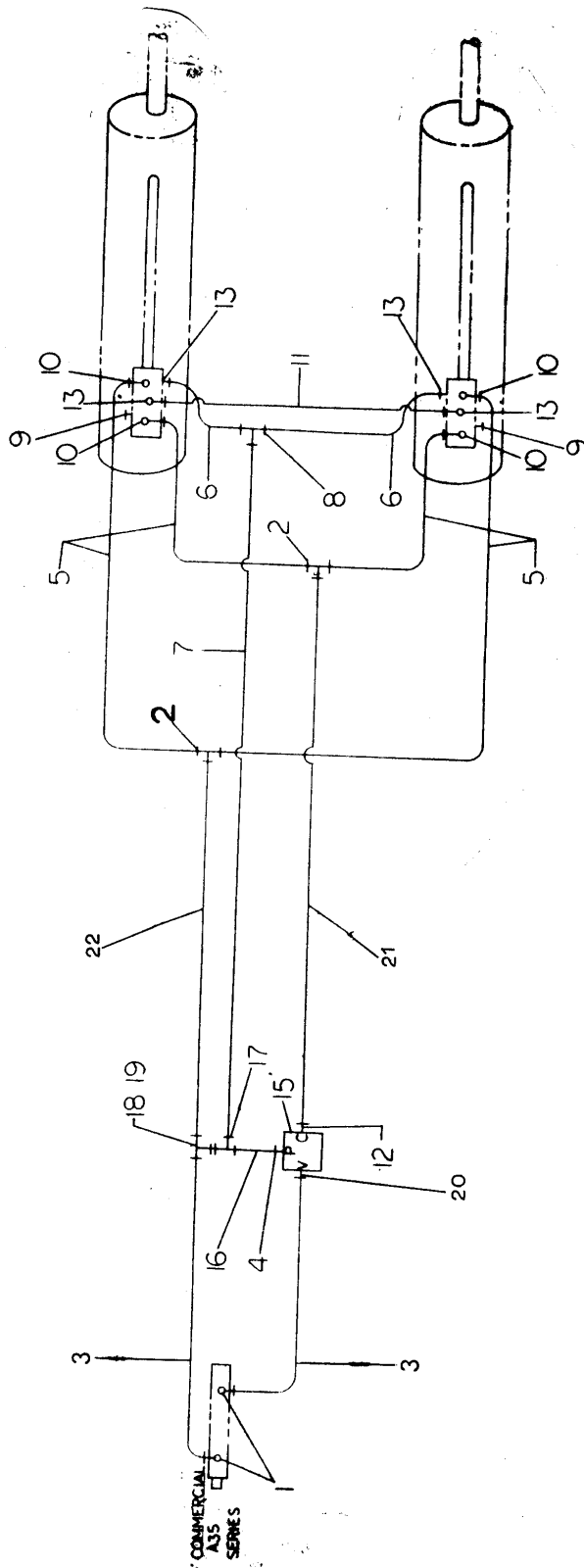
Assembly No.

**2160600190**

Revision:

Item	FN	Part	Qty	Description
1		7445100811	2	ADAPTER INCLUDES THE FOLLOWING PARTS
		7755910002	1	O-RING
2		7545309620	1	HOSE ASSY, USE AS REQUIRED 1/2" I.D. X 96"
3		7445080809	2	ADAPTER, SWIVEL
4		7545308420	1	HOSE ASSY, USE AS REQUIRED

# Manitowoc Cranes



# Manitowoc Cranes

Description  
LIFT HYD. SCHEMATIC

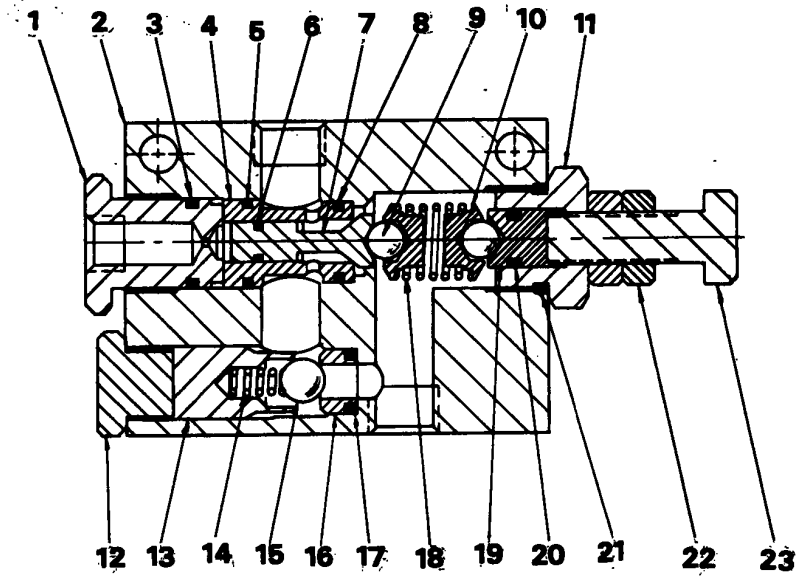
Assembly No.  
**2160600157**  
Revision:

Item	FN	Part	Qty	Description
1		7445120811	2	ADAPTER, 90 DEGREE SWIVEL INCLUDES THE FOLLOWING PARTS
		7755912002	1	O-RING
2		7445080613	2	SWIVEL ADAPTER, UNION - 90 TEE
3		7545304820	2	HOSE ASSY, 1/2" X 48"
4		7445040404	1	ADAPTER, 90 DEGREE SWIVEL
5		7545201020	4	HOSE ASSY, 3/8" X 10"
6		7545100920	2	HOSE ASSY, USE AS REQUIRED 1/4" I.D. X 9"
8		7445040413	1	ADAPTOR, SWIVEL
9	#	7926000351	2	VALVE, AIR BLEEDER
10		7445060609	1	ELBOW, 45 DEGREE
11		7545102420	2	HOSE ASSY, USE AS REQUIRED 1/4" I.D. X 24"
12		7445080801	1	ADAPTER, STRAIGHT
13		7445040409	4	ADAPTER, 45 DEGREE SWIVEL
15	+	7926000044	1	VALVE ASSEMBLY - CHECK
16		7545101820	1	HOSE ASSY, USE AS REQUIRED 1/4" I.D. X 18"
17		7445040412	1	ADAPTER, SWIVEL
18		7445080813	1	ADAPTER, 90 DEGREE SWIVEL
19		7444040256	1	BUSHING, REDUCER
20		7445080809	1	ADAPTER, SWIVEL
21		7545303620	1	HOSE ASSY, USE AS REQUIRED 1/2" I.D. X 36" LONG
22		7545302420	1	HOSE ASSY, 1/2" X 24"

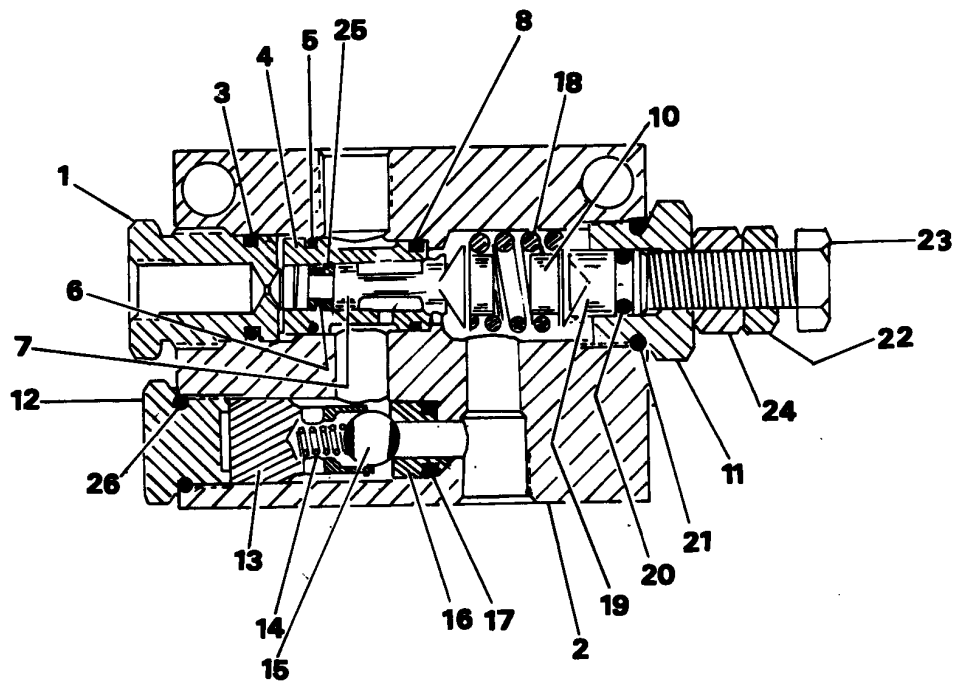
# SERVICED AS AN ASSEMBLY ONLY

+ SEE FURTHER BREAKDOWN THIS GROUP

# Manitowoc Cranes



DESIGN - A



DESIGN - B

# Manitowoc Cranes

Description

**VALVE ASSEMBLY - CHECK**

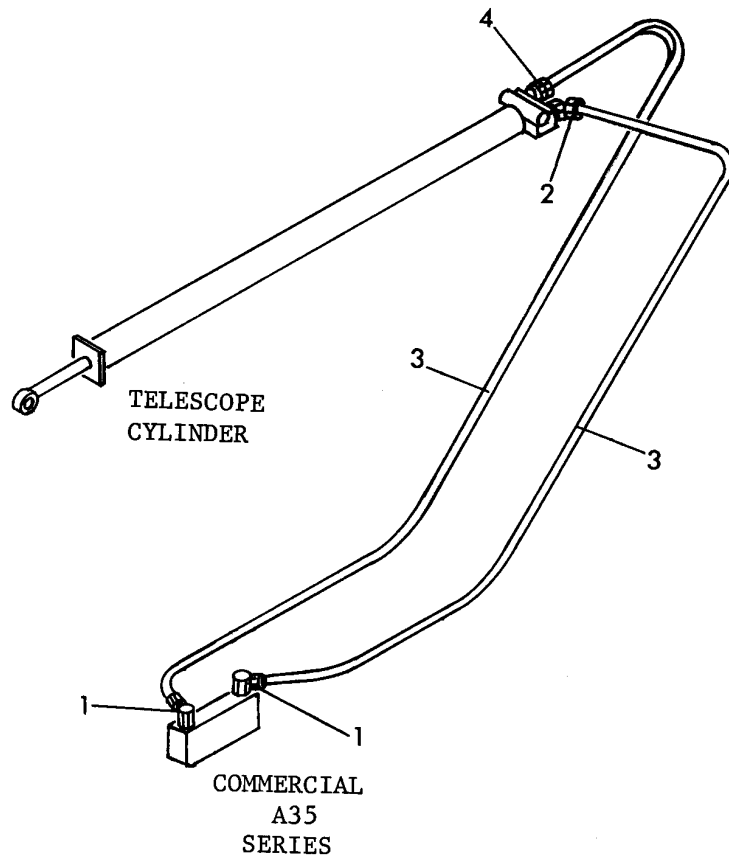
Assembly No.

**7926000044**

Revision:

Item	FN	Part	Qty	Description
1		9926100460	1	PLUG
2		9926100118	1	BODY
3		7755115000	1	O-RING
4		9926100120	1	SEAT
5		7755114000	1	O-RING
6		7755010000	1	O-RING
7		9926100123	1	PISTON (DESIGN A) (DESIGN B)
8		9926101775	1	O-RING
9		9926100125	2	BALL (DESIGN A)
10		9926100126	2	END, SPRING
11		9926100127	1	PLUG
12		9926100128	1	PLUG
13		9926100129	1	SPACER
14		9926100130	1	SPRING
15		9904101049	1	BALL
16		9926100132	1	SEAT
17		7755111000	1	O-RING
18		9926100134	1	SPRING
19		9926100135	1	PISTON
20		7755110000	1	O-RING
21		7755117000	1	O-RING
22		9926100138	1	NUT 1/2" - 20 N.F.
23		9926102846	1	CAP SCREW,
24		9926101693	1	NUT 1/2" - 20 N.F.
25		9926105172	2	RING, BACK-UP
26		7755113000	1	O-RING

# Manitowoc Cranes



# Manitowoc Cranes

Description

**TELESCOPE MID - HYDRAULIC SCHEMATIC**

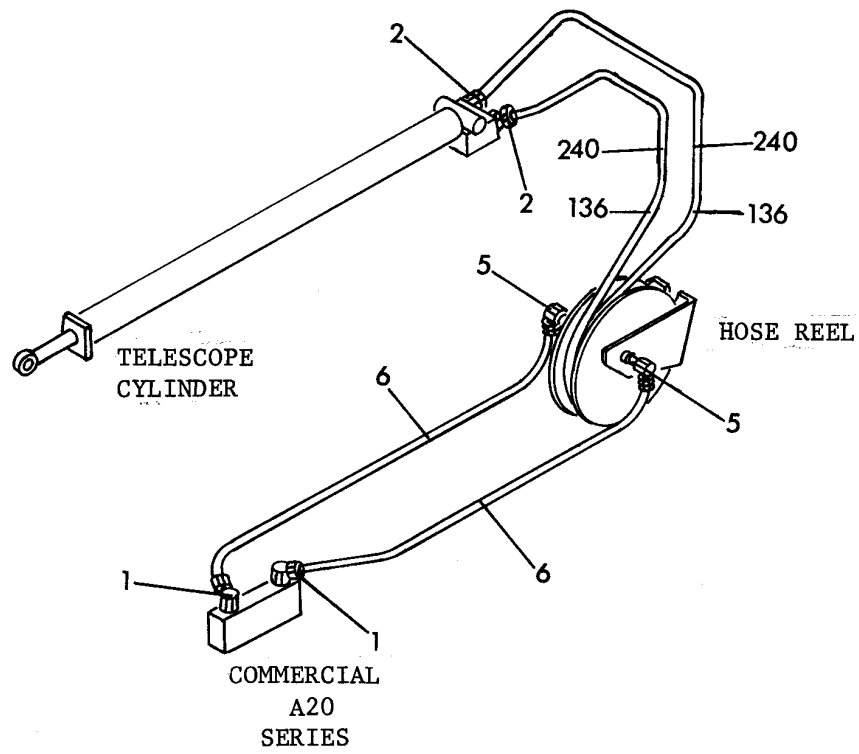
Assembly No.

**2160600054**

Revision: **A**

Item	FN	Part	Qty	Description
1		7445120811	2	ADAPTER, 90 DEGREE SWIVEL INCLUDES THE FOLLOWING PARTS
		7755912002	1	O-RING
2		7445080809	1	ADAPTER, SWIVEL
3		7545310820	2	HOSE ASSY, USE AS REQUIRED 1/2" I.D. X 108"
4		7445080801	1	ADAPTER, STRAIGHT

# Manitowoc Cranes





# Manitowoc Cranes

Description

**HYDRAULIC LINES INSTALL - FLY TELESCOPE SCHEMATIC**

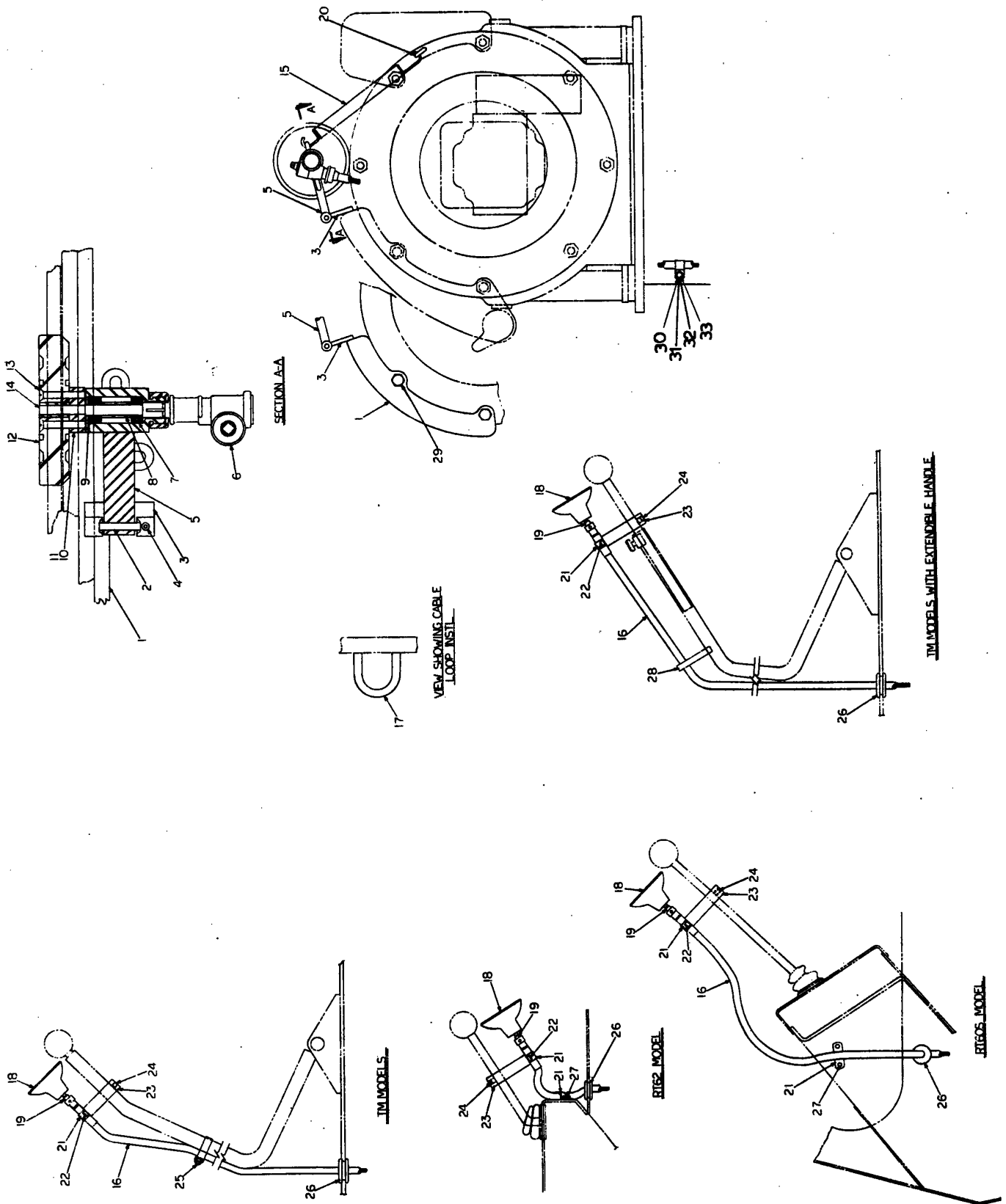
Assembly No.

**2160600055**

Revision: **F**

Item	FN	Part	Qty	Description
1		7445100611	2	ADAPTER, SWIVEL INCLUDES THE FOLLOWING PARTS
		7755910000	1	O-RING
2		7445060609	2	ELBOW, 45 DEGREE
5		7445080601	2	ADAPTER, STRAIGHT SWIVEL
6		7545210820	2	HOSE ASSY, USE AS REQUIRED 3/8" I.D. X 108"
136		7545232420	2	HOSE ASSY, USE AS REQUIRED USE W/26-68 & 28-70 BOOM
240		7545228820	2	HOSE ASSY, USE AS REQUIRED 3/8" X 288" USE W/22-58, 24-60, & 4 SECTION BOOM 22-76 & 24-78

# Manitowoc Cranes



# Manitowoc Cranes

Description

**ROTATION INSTALLATION - HOIST DRUM**

Assembly No.

**6486000315**

Revision:

Item	FN	Part	Qty	Description
1	%	6705003038	1	PLATE, MOUNTING NOT REQ'D WHEN HOIST DRUM CABLE FOLLOWER IS ON THE FORWARD FLANGE OF HOIST.
2		6570081833	1	PIN, HINGE
3		6869000141	1	SUPPORT
4		7785140300	1	SET SCREW 1/4" -20 N.C. X 3/16" GRADE 5
5		6033000107	1	ARM
6		7364000039	1	JOINT, ANGLE INCLUDES THE FOLLOWING PARTS
		9364101855	1	KEY, DRIVE
7		7069000050	2	BEARING, BALL
8		6910000139	1	SPACER
9		7753000060	1	RING, RETAINING
10		6548000037	1	HUB, DRIVE
11		7785140800	1	SET SCREW 1/4" - 20 N.C. X 1/2"
12		6970000101	1	WHEEL
13		7111141207	2	SCREW, MACHINE 1/4" - 20 N.C. X 1 1/2"
14		6810000318	1	SHAFT, DRIVE
15		7834000015	1	SPRING, GOVERNOR
16	%	7810001118	1	SHAFT, FLEXIBLE - 14' USE ON RT60S & RT62-MAIN HOIST
16	%	7810001119	1	SHAFT, FLEXIBLE - 16' USE ON TM100C, TMS100, TMS155/180 & TM155/180- MAIN HOIST - AND RT60S & RT60S & RT62-AUX. HOIST
16	%	7810001120	1	SHAFT, FLEXIBLE - 18' USE ON TM155/180, TM100C, TMS155/80 & TM275LP-AUX. HOIST
16	%	7810001122	1	SHAFT, FLEXIBLE USE ON TMS375LP, TMS300LP, & TMS475LP AUX. HOIST
16	%	7810001151	1	SHAFT, FLEXIBLE USE ON TM800, TM650, AUX.

% SEE NOTE AT END OF LIST

# Manitowoc Cranes

<u>Description</u> <b>ROTATION INSTALLATION - HOIST DRUM</b>				<u>Assembly No.</u> <b>6486000315</b> Revision:
Item	FN	Part	Qty	Description
17	%	<b>6814000024</b>	2	HOIST LOOP, HOSE RETAINER NOT REQ'D ON TMS375LP OR ON UNITS W/MAIN HOIST ROTATION INDICATOR
18		<b>7970000553</b>	1	WHEEL, INDICATOR
20		<b>6531000002</b>	1	HOLDER, SPRING
21	%	<b>7850000032</b>	1	STRAP ALL TM MODELS, RT63S QUANTITY REQ'D ON RT60'S ONLY
21	%	<b>7850000032</b>	2	STRAP ALL TM MODELS, RT63S QUANTITY REQ'D ON RT60'S ONLY
22		<b>7110140405</b>	4	CAP SCREW, 1/4" - 20 N.C. X 1/2" GRADE 1
23	%	<b>6086000229</b>	1	BLOCK, MOUNTING RT60S & RT62
23	%	<b>6086000228</b>	1	BLOCK, MOUNTING TM MODELS W/NON-EXTENDIBLE HANDLES
23	%	<b>6086000227</b>	1	BLOCK, MOUNTING TM MODELS W/EXTENDIBLE HANDLES
24		<b>7785140500</b>	2	SET SCREW 1/4" - 20 N.C. X 5/16"
25	%	<b>7300000006</b>	1	CLAMP, HOSE EXTENDABLE HANDLES BLE HANDLES
26	%	<b>7506000008</b>	1	GROMMET .88" I.D. TM MODELS
26	%	<b>7506000005</b>	1	GROMMET .62" I.D. RT MODELS EXCEPT RT655 & RT75S
27	%	<b>7791141250</b>	2	SCREW, SELF-DRILLING 1/4"
28	%	<b>6184000382</b>	1	BRACKET TM MODELS W/EXTENDIBLE

% SEE NOTE AT END OF LIST

# Manitowoc Cranes

Description

**ROTATION INSTALLATION - HOIST DRUM**

Assembly No.

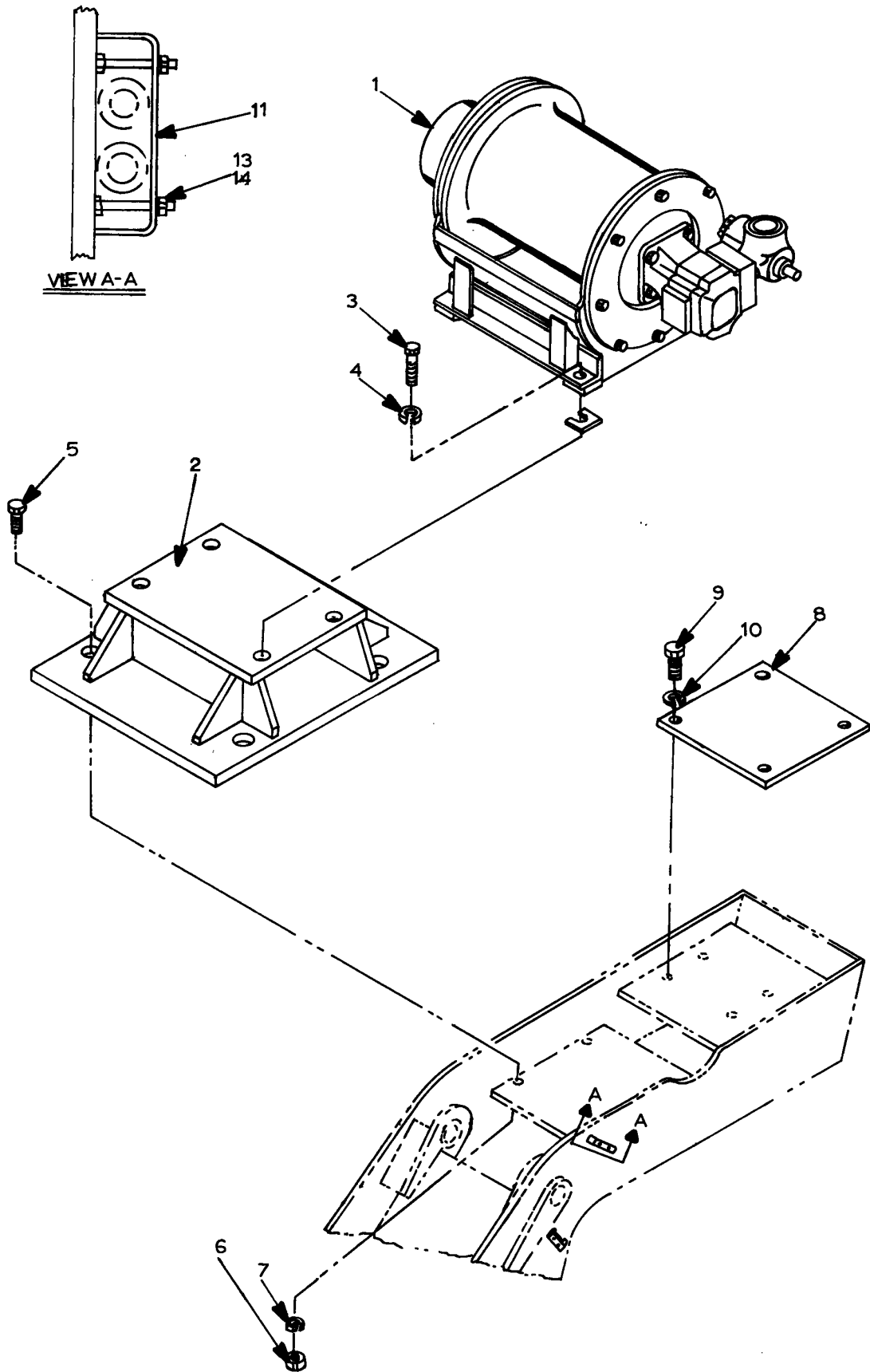
**6486000315**

Revision:

Item	FN	Part	Qty	Description
29	%	7115181450	2	HANDLES CAP SCREW, 1/2" - 13 N.C. X 1 3/4" NOT REQ'D WHEN HOIST DRUM CABLE FOLLOWER IS ON THE FORWARD FLANGE OF HOIST
30		7300000101	1	CLAMP, TUBING 1/2" I.D.
31		7866142140	1	STUD 1/4" - 20 N.C. X 7/8"
32		7660140000	1	NUT, HEX 1/4" - 20 N.C.
33		7950140050	1	WASHER, LOCK 1/4"

% SEE NOTE AT END OF LIST

# Manitowoc Cranes



6974000186

# Manitowoc Cranes

Description

**HOIST INSTALL - MOD 15 MAIN**

Assembly No.

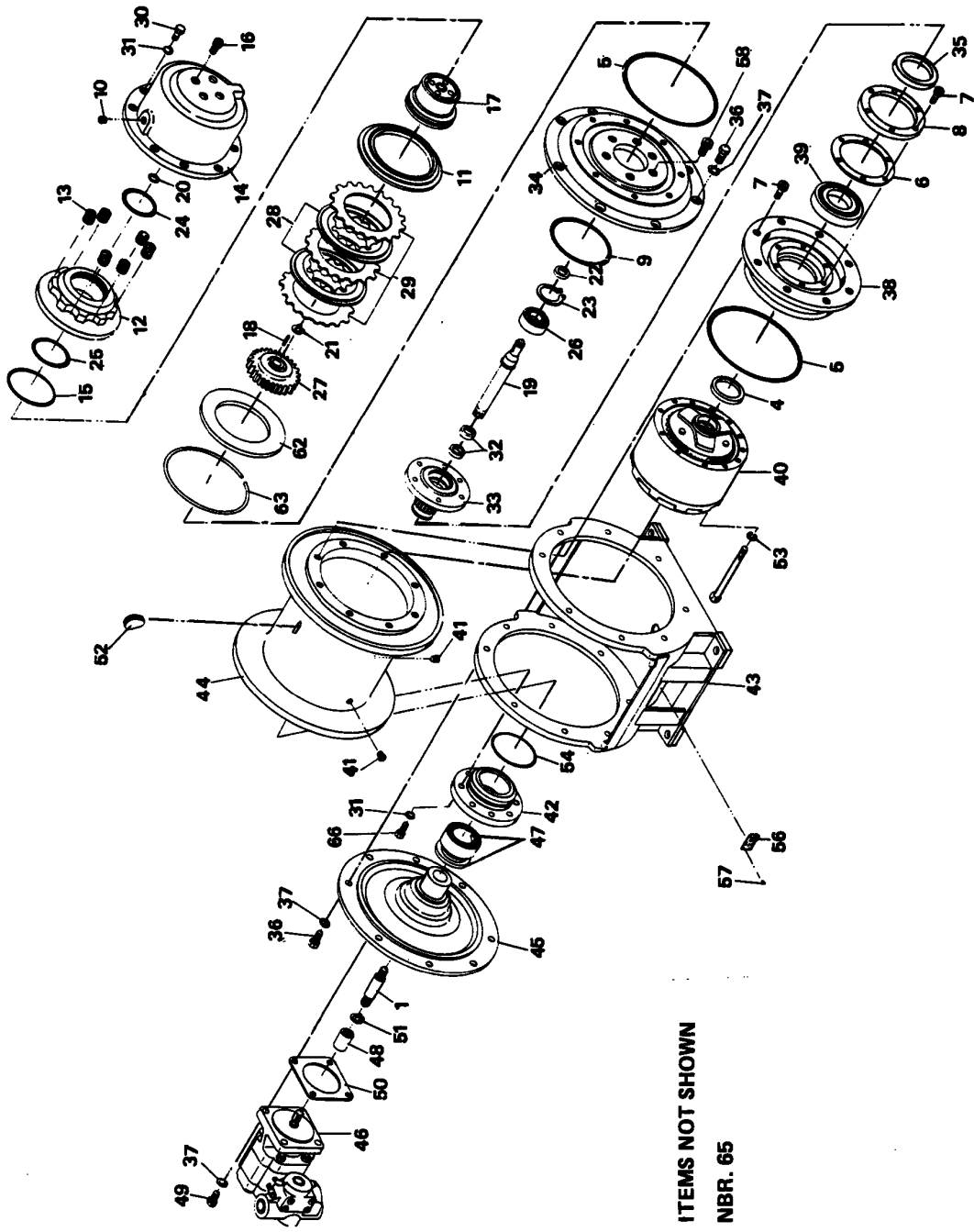
**6974000186**

Revision:

Item	FN	Part	Qty	Description
1	+	6974000124	1	HOIST ASSEMBLY - HO15 - 16
2		6184000439	1	BRACKET
3		7115221650	4	CAP SCREW, 3/4" - 10 N.C. X 2" GRADE 5
4		7950220050	4	LOCKWASHER, 3/4" I.D.
5		7115303250	4	CAP SCREW, 1 1/4" - 7 N.C. X 4" GRADE 5
6		7660300008	4	NUT, 1 1/4" 7 N.C. HEX
7		7950300050	4	WASHER, LOCK 1 1/4" REG
8		4160200010	1	PLATE
9		7115242650	4	7/8" - 9 N.C. X 3 1/4"
10		7950240050	4	LOCK WASHER, 7/8" I.D.
11		6300000108	2	CLAMP
13		7950160050	4	WASHER, LOCK 3/8" I.D.
14		7660160000	4	NUT, HEX 3/8" - 16 N.C.
16		6705004268	4	SHIM (.0359")

+ SEE FURTHER BREAKDOWN THIS GROUP

# Manitowoc Cranes





# Manitowoc Cranes

Description

**HOIST ASSEMBLY - HO15 - 16**

Assembly No.

**6974000124**

Revision: **X**

Item	FN	Part	Qty	Description
1		6810001043	1	SHAFT, INPUT
4		6910001261	1	SPACER
5	*	7755275000	2	O-RING
6	*	6794000262	1	GASKET
7		7110160805	14	CAP SCREW, 3/8" - 16 N.C. X 1" GRADE 1
8		6069000179	1	RETAINER, BEARING
9	*	7755259000	1	O-RING
10		7709000058	1	PLUG, PLASTIC 1/4" N.P.T.
11		6705001969	1	PLATE, PRESSURE
12		6372000833	1	CYLINDER, BRAKE
13		7834000075	6	SPRING, COMPRESSION
14		6547000069	1	HOUSING, BRAKE
15	*	7755427002	1	O-RING
16		7110181005	4	CAP SCREW, 1/2" - 13 N.C. X 1 1/4" GRADE 1
17		6701000097	1	PISTON, BRAKE
18		7569000012	1	KEY
19		6810001040	1	SHAFT, MAIN
20	*	7755115000	1	O-RING
21		7753000223	1	RING, SNAP
22		6910000948	1	SPACER
23		7753000225	1	RING, SNAP
24	*	7755154000	1	O-RING
25	*	7755347002	1	O-RING
26		7069000178	1	BEARING, BALL
27	#	7316000010	1	CLUTCH
28		7388000046	2	DISC, BRAKE
29		7388000039	3	DISC, BRAKE
30		7115161050	8	CAP SCREW, 3/8" - 16 N.C. X 1 1/4" GRADE 5
31		7950160050	16	WASHER, LOCK 3/8" I.D.

\* REPAIR KIT AND/OR PART OF KIT

# SERVICED AS AN ASSEMBLY ONLY

# Manitowoc Cranes

Description

**HOIST ASSEMBLY - HO15 - 16**

Assembly No.

**6974000124**

Revision: **X**

Item	FN	Part	Qty	Description
32	*	7794000265	2	SEAL,OIL
33		6548000053	1	END, RH DRUM
34		6547000067	1	HOUSING, RIGHT HAND END
35	*	7794000264	1	SEAL,OIL
36		7115180950	16	CAP SCREW, 1/2" - 13 N.C. X 1 1/8" GRADE 5
37		7950180050	20	WASHER, LOCK 1/2" I.D.
38		6400000053	1	DRUM, END
39		7069000194	1	BEARING, BALL
40	+	7490000044	1	GEAR REDUCTION ASSEMBLY
41		7444030031	2	PLUG, PIPE
42		6400000054	1	DRUM, END
43		6547000065	1	HOUSING ASSY, CENTER
44		6400000052	1	DRUM, CABLE
45		6547000068	1	HOUSING, LEFT HAND END
46	+	7632000033	1	MOTOR ASSEMBLY - HYDRAULIC
47		7069000220	1	RACE, INNER
48		6364000389	1	COUPLING
49		7115181250	4	CAP SCREW, 1/2" - 13 N.C. X 1 1/2" GRADE 5
50	*	6794000263	1	GASKET, MOTOR
51		7753000224	1	RING, SNAP
52		6958000005	1	WEDGE, SPECIAL
53		7950160050	12	WASHER, LOCK 3/8" I.D.
54	*	7755246000	1	O-RING
56		6705002402	1	NAMEPLATE
57		7790040504	4	SCREW, 7/64" -40 N.C. X 5/16"
58		7110180805	6	CAP SCREW, 1/2" - 13 N.C. X 1" GRADE 1
62		6705002946	1	PLATE, BACKING
63		7753000171	1	RING, SNAP
65	+	6974000182	1	TUBING INSTALLATION - HOIST

\* REPAIR KIT AND/OR PART OF KIT

+ SEE FURTHER BREAKDOWN THIS GROUP

# Manitowoc Cranes

Description

**HOIST ASSEMBLY - HO15 - 16**

Assembly No.

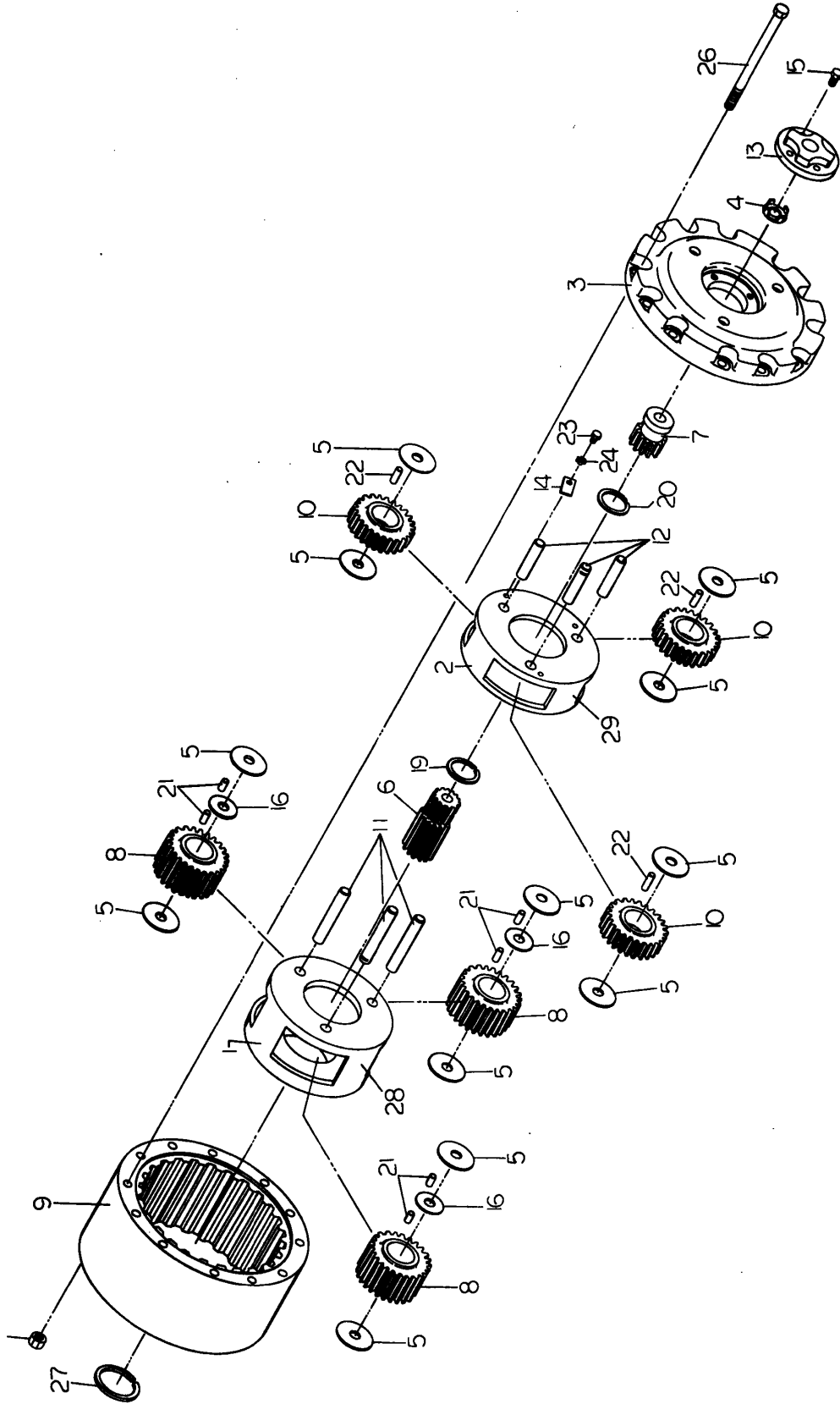
**6974000124**

Revision: **X**

Item	FN	Part	Qty	Description
66		7115161250	8	(NOT AVAILABLE AS ASSEMBLY) CAP SCREW, 3/8" - 16 N.C. X 1 1/2" GRADE 5
67	*	9752100158	1	REPAIR KIT - HOIST

\* REPAIR KIT AND/OR PART OF KIT

# Manitowoc Cranes



# Manitowoc Cranes

Description

**GEAR REDUCTION ASSEMBLY**

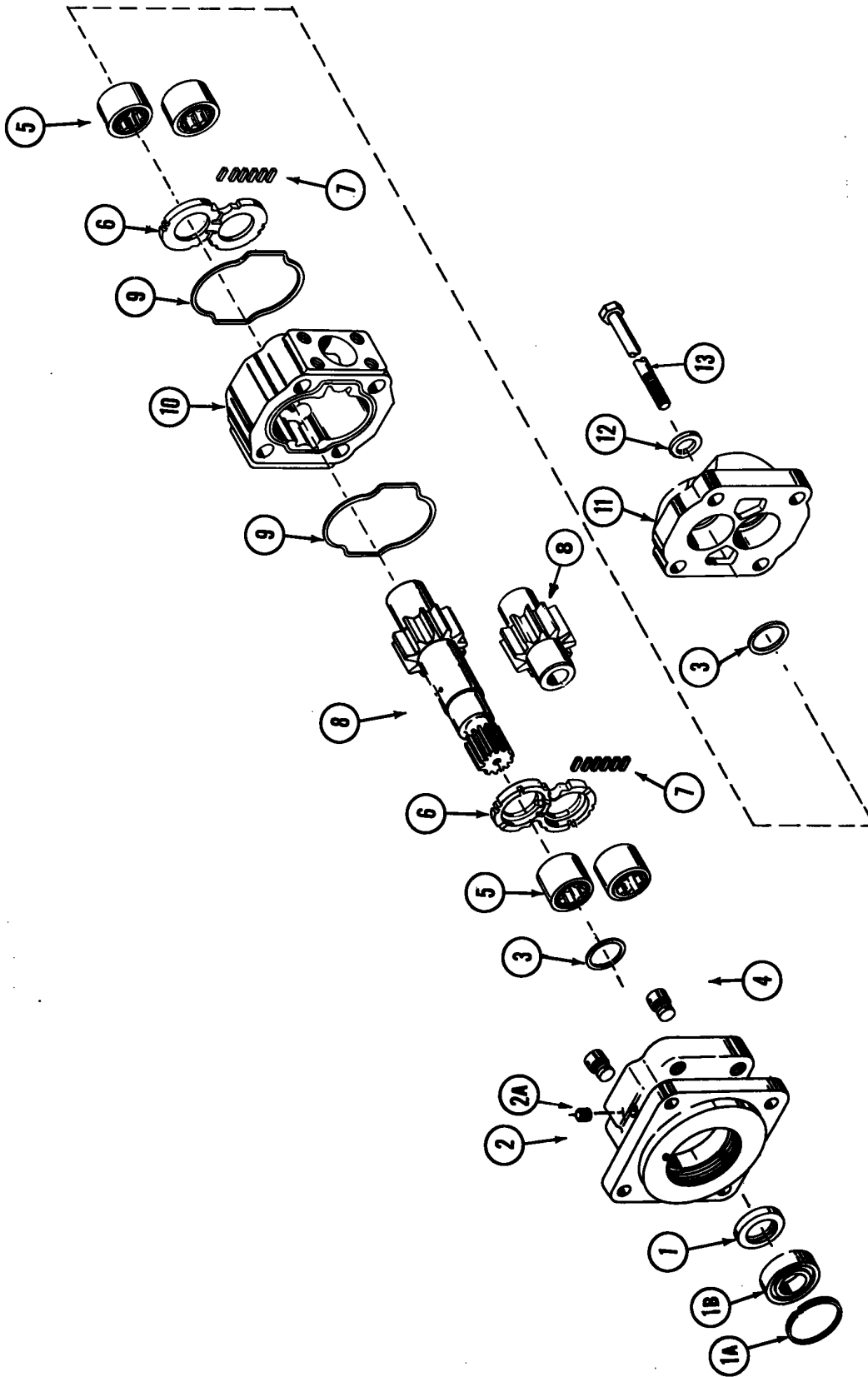
Assembly No.

**7490000044**

Revision:

Item	FN	Part	Qty	Description
1		9490100047	1	CARRIER
2		9490100094	1	CARRIER
3		9490100049	1	COVER
4		9490100050	1	WASHER,
5		9490100051	12	WASHER, THRUST
6		9490100095	1	GEAR, SUN
7		9490100096	1	GEAR, SUN
8		9490100097	3	PLANET GEAR
9		9490100098	1	GEAR
10		9490100099	3	GEAR, PLANET
11		9490100057	3	PIN
12		9490100058	3	PIN
13		9490100059	1	COVER
14		9490100060	6	RETAINER
15		9490100061	4	OBSOLETE BY 7115150650
16		9490100062	3	SEPARATOR
17		9490100063	2	NUT, HEX
19		9490100100	1	RING, RETAINING
20		9490100101	1	RING, RETAINING
21		9490100066	96	ROLLER, NEEDLE
22		9490100067	48	ROLLER, NEEDLE
23		9490100068	6	OBSOLETE BY 7115160450
24		9490100069	6	OBSOLETE BY 7-950-160350
26		9490100070	12	CAP SCREW,
27		9490100071	1	RING, RETAINING
28		9490100102	1	SECONDARY CARRIER ASSY INCLUDES NBR 6,8, & 11
29		9490100103	1	PRIMARY CARRIER ASSY INCLUDES NBR 7, 10 & 12

# Manitowoc Cranes



# Manitowoc Cranes

Description

**MOTOR ASSEMBLY - HYDRAULIC**

Assembly No.

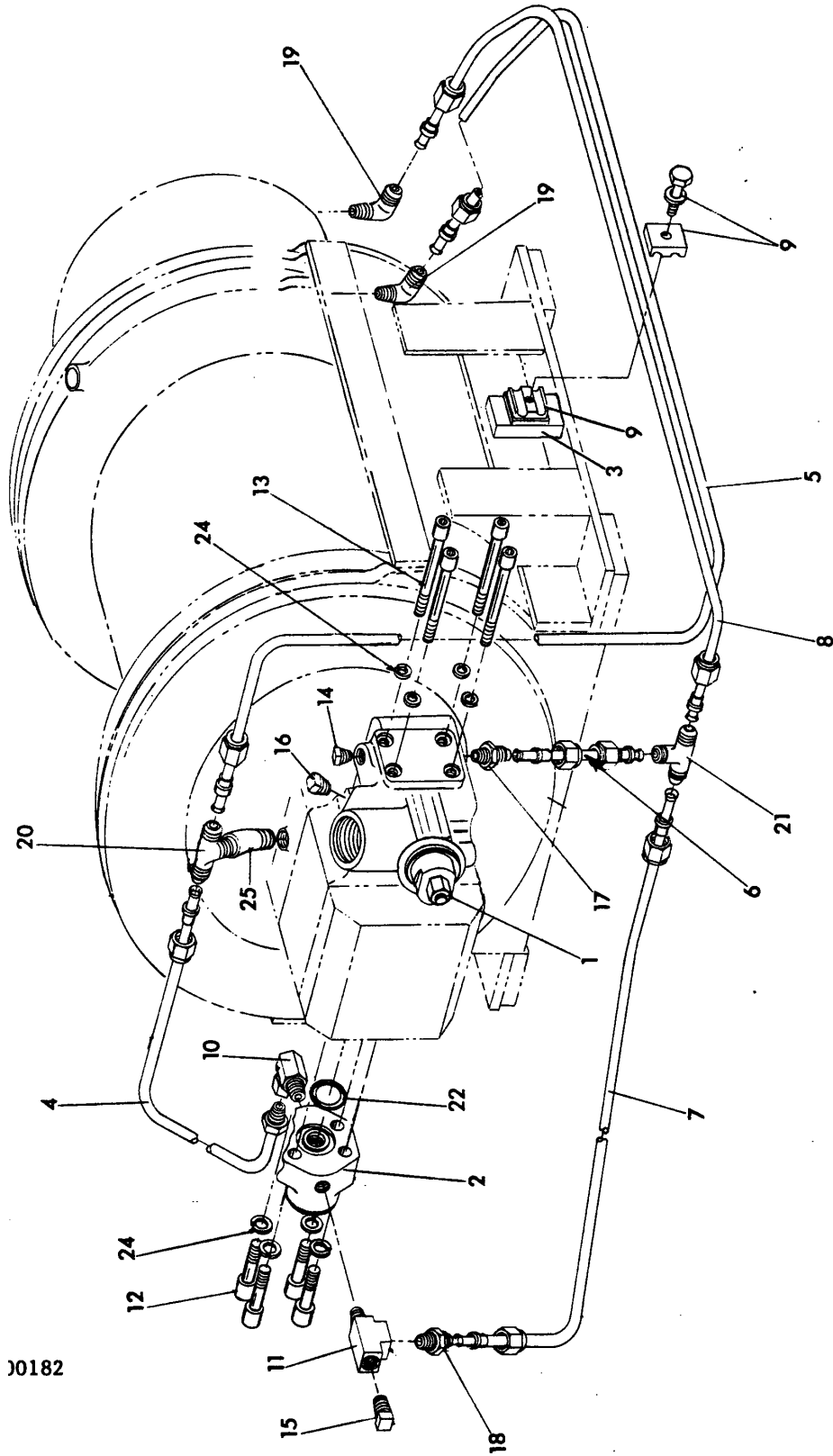
**7632000033**

Revision:

Item	FN	Part	Qty	Description
1	*	9632100195	1	SEAL, SHAFT
1		9632100196	1	RING, SNAP
1		9632100197	1	BEARING
2		9632100199	1	COVER, SHAFT END
2		9632100215	1	PLUG
3		9632100200	2	SEAL, RING
4		9722100120	2	VALVE, CHECK
5		9722100029	4	BEARING
6		9722100031	2	PLATE, THRUST
7	*	9632100201	1	SEAL, POCKET - 3" STRIP
8		9632100216	1	SHAFT AND GEAR SET SET
9	*	9722100030	2	O-RING
10		9632100217	1	HOUSING, GEAR
11		9632100203	1	COVER, PORT END
12		9722100046	4	WASHER,
13		9722100400	4	FASTENER
14	*	9752100248	1	KIT, REPAIR

\* REPAIR KIT AND/OR PART OF KIT

# Manitowoc Cranes



00182



# Manitowoc Cranes

Description

**TUBING INSTALLATION - HOIST  
(NOT AVAILABLE AS ASSEMBLY)**

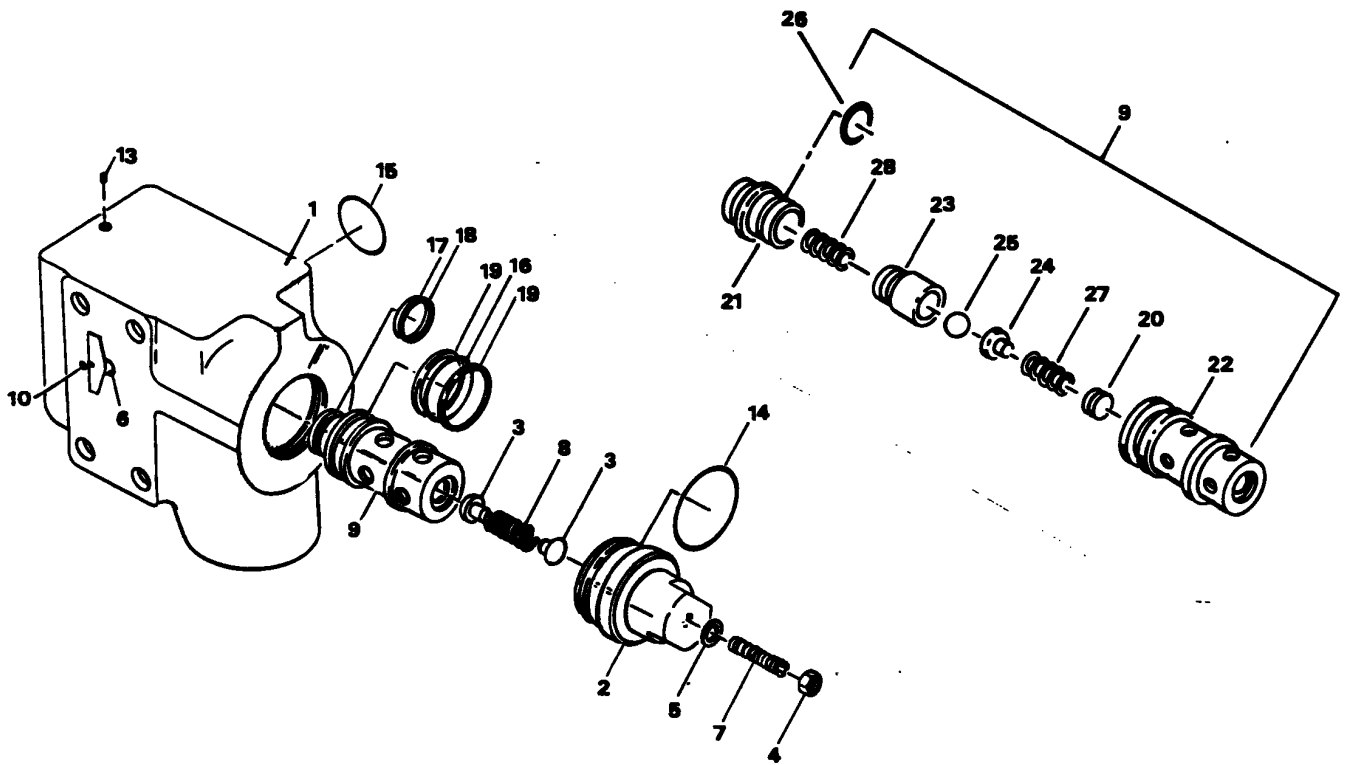
Assembly No.

**6974000182  
Revision: B**

Item	FN	Part	Qty	Description
1	+	7926000559	1	VALVE ASSEMBLY - HOIST CONTROL
2		6443000034	1	FITTING, O-RING
3		6705002456	1	PLATE
4		6910001704	1	TUBE
5		6910001706	1	TUBE
6		6910001714	1	TUBE
7		6910001715	1	TUBE
8		6910001717	1	TUBE
9		7300000119	1	CLAMP
10		7443000059	1	ADAPTER, SWIVEL
11		7888000033	1	TEE, SERVICE
12		7110171405	4	CAP SCREW, 7/16" - 14 N.C. X 1 3/4" GRADE 1
13		7110172605	4	SHCS 7/16-14UNCX3.25
14		7444010011	1	PLUG, PIPE 1/8" N.P.T.
15		7444020016	1	PLUG, PIPE 1/4" N.P.T.
16		7444030016	1	PLUG, PIPE 3/8" N.P.T.
17		7445060219	1	ADAPTER, STRAIGHT
18		7445060419	1	ADAPTER, STRAIGHT MALE
19		7445060420	2	ELBOW, 90 DEGREE
20		7445060433	1	TEE
21		7445060637	1	TEE
22		7755222000	1	O-RING
24		7950170080	8	LOCKWASHER, 7/16" I.D.
25		7444020296	1	ELBOW, 45 DEGREE

+ SEE FURTHER BREAKDOWN THIS GROUP

# Manitowoc Cranes



# Manitowoc Cranes

Description

**VALVE ASSEMBLY - HOIST CONTROL**

Assembly No.

**7926000559**

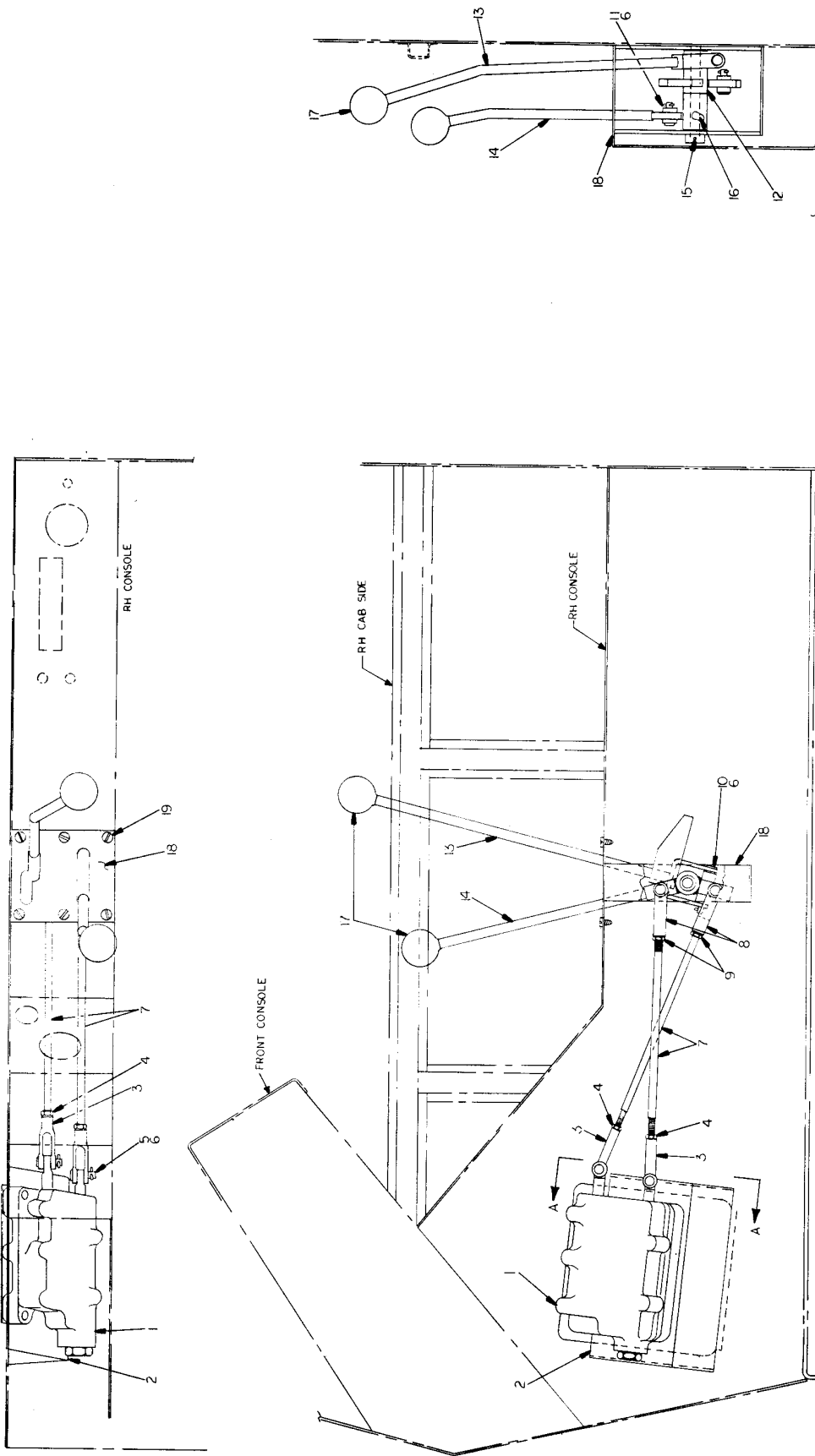
Revision:

Item	FN	Part	Qty	Description
1		9926101426	1	BODY
2		9926100596	1	PLUG, ADJUSTABLE
3		9926100159	2	END
4		9926100585	1	NUT 3/8" - 16 N.C.
5	*	9926100584	1	SEAL, THREAD
6		9926101428	1	PLUG
7		9926100788	1	SCREW,
8		9926100607	1	SPRING
9		9926101429	1	PISTON AND POPPET
10		9926100737	1	FILTER
13		9926101430	2	PLUG, ORIFICE (.20")
14	*	9926100606	1	O-RING
15	*	7755220000	1	O-RING
16	*	7755125000	1	O-RING
17	*	7755117000	1	O-RING
18	*	7755117609	1	RING, BACK-UP
19	*	7755125609	2	RING, BACK-UP
20		9926101433	1	SCREW, ADJUSTING
21		9926101434	1	PISTON
22	#	NS	1	NOT SERVICED POPPET
23		9926101436	1	POPPET
24		9926101437	1	END, SPRING
25		9926101438	1	BALL
26	*	9926100601	1	O-RING
27		9926101439	1	SPRING
28		9926101440	1	SPRING
29	*	9752100182	1	KIT

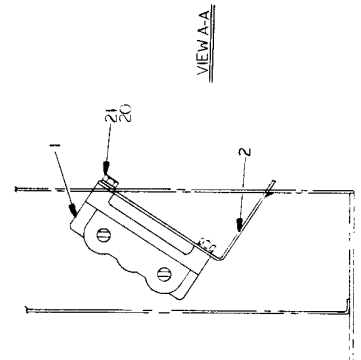
\* REPAIR KIT AND/OR PART OF KIT

# SERVICED AS AN ASSEMBLY ONLY

# Manitowoc Cranes



VIEW LOOKING  
FORWARD



# Manitowoc Cranes

Description

**TRANS.SHIFT LINKAGE INSTALL.**

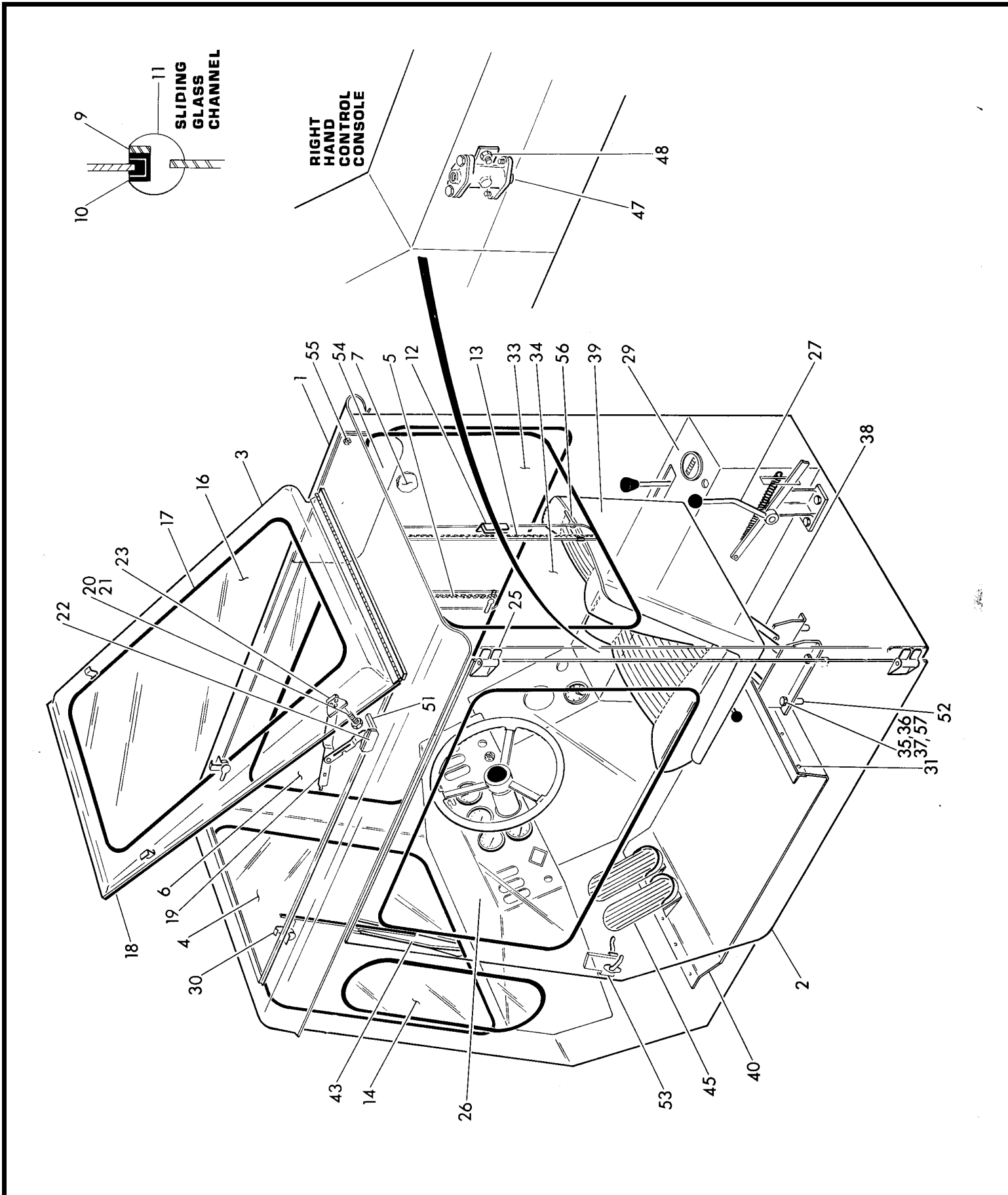
Assembly No.

**2160800220**

Revision:

Item	FN	Part	Qty	Description
1		7926000338	1	VALVE ASSEMBLY - CONTROL
2		2160800079	1	ADAPTER
3		7308000014	2	YOKE
4		7660150030	2	NUT, HEX 5/16" - 24 N.F.
5		7690151600	2	PIN, CLEVIS 5/16" X 1"
6		7690051210	5	PIN, COTTER 1/8" X 3/4"
7		4160800102	2	ROD, LINKAGE
8		7308000001	2	YOKE
9		7660160030	2	NUT, 3/8" - 24 N.F. HEX
10		7690154000	1	PIN, CLEVIS
11		7690161800	2	PIN, CLEVIS 3/8" X 1 1/8"
12		2160800221	1	PIVOT ASSY
13		2160800081	1	LEVER, SHIFTING
14		2160800082	1	LEVER, SHIFTING
15		7690051245	1	PIN, ROLL 1/8" X 3/4"
16		6810000849	1	SHAFT
17		7511000003	2	KNOB
18		2160800080	1	BRACKET, SHIFT LINKAGE
19		7790140662	6	SCREW, SELF-TAPPING 1/4" - 20 N.C. X 3/8"
20		7950160050	4	WASHER, LOCK 3/8" I.D.
21		7115160650	4	CAP SCREW, 3/8" - 16 N.C. X 3/4" GRADE 5

# Manitowoc Cranes



2160400042

(SHEET 1 OF 1)

# Manitowoc Cranes

Description  
**CAB ASSEMBLY**

Assembly No.  
**2160400042**  
Revision:

Item	FN	Part	Qty	Description
1		2160400049	1	CAB SECTION
2	+	2150400009	1	DOOR ASSEMBLY - CAB
3		2150400007	1	SKYLIGHT
4		7498000045	1	GLASS
5		6637002004	1	CHANNEL, WEATHERSTRIP
6		7498000049	1	GLASS RIGHT SIDE SLIDING
7		7498000048	1	GLASS RIGHT SIDE STATIONARY
9		6637015010	1	SPACER,RUBBER
10		6637013018	1	CHANNEL
11		6637014018	1	WEATHERSTRIP
12		7511000052	2	PULL, FINGER
13		6637012001	1	GASKET, FINGER PULL
14		7498000043	1	GLASS, CAB LEFT SIDE
16		7498000054	1	GLASS, SKYLIGHT TINTED
17		6637003023	1	WEATHERSTRIP
18		6637000011	1	GASKET
19		7869000077	1	SUPPORT
20		7115140350	5	CAP SCREW, 1/4" - 20 N.C. X 3/8" GRADE 5
21		7950140050	5	WASHER, LOCK 1/4"
22		4150400095	1	BLOCK, MOUNTING
23		4150400094	1	BLOCK, MOUNTING
25		2160400070	2	HINGE
26	+	2160600045	1	FRONT CONTROL CONSOLE INSTALLATION (NOT AVAILABLE AS ASSEMBLY)
27	+%	2160200022	1	PIN INSTALLATION - TURNTABLE LOCK INSTALLATION (NOT AVAILABLE AS ASSEMBLY)
27	%	6585000057	1	POSITIVE SWING LOCK INSTALLATION
29	+	2160400063	1	CONTROL CONSOLE INSTALLATION - RIGHT HAND
30		7585000004	2	SASH LOCK

+ SEE FURTHER BREAKDOWN THIS GROUP

% SEE NOTE AT END OF LIST

# Manitowoc Cranes

Description  
**CAB ASSEMBLY**

Assembly No.  
**2160400042**  
Revision:

Item	FN	Part	Qty	Description
31		7790140853	5	SCREW, SELF-TAPPING 1/4" - 20 N.C. X 1/2"
33		7498000050	1	GLASS, STATIONARY REAR
34		7498000051	1	GLASS, REAR SLIDING
35		7115151650	4	CAP SCREW, 5/16" -18 N.C. X 2" GRADE 5
36		7660150000	5	NUT, HEX 5/16" - 18 N.C.
37		7950150050	5	WASHER, LOCK 5/16" I.D.
38		7869000238	1	SEAT, SUSPENSION
39		7798000030	1	SEAT
40		2161400004	1	COVER, BRAKE
43	+	2160400045	1	WIPER INSTALLATION - WINDSHIELD
45	+	7683000007	1	PEDAL ASSEMBLY
47	#	7926000139	1	VALVE ASSEMBLY - DOUBLE CHECK
48		7112150750	1	BOLT, HEX 5/16" -18 N.C. X 7/8"
51		6705001815	1	PLATE
52		6200080808	4	BUSHING
53		6570081200	1	KEY STOCK
54		6705004573	1	PLATE, LOAD CHART MOUNTING
55		7791141250	4	SCREW, SELF-DRILLING 1/4"
56	+%	6585000063	1	LOCK INSTALLATION - WINDOW (NOT AVAILABLE AS ASSEMBLY)

+ SEE FURTHER BREAKDOWN THIS GROUP  
% SEE NOTE AT END OF LIST

# SERVICED AS AN ASSEMBLY ONLY

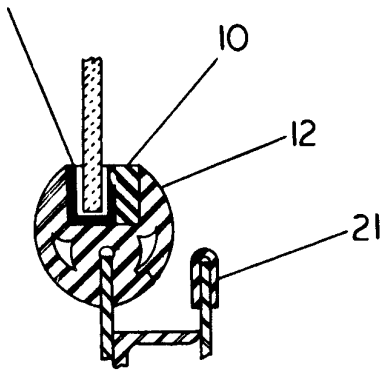


# ***Manitowoc Cranes***

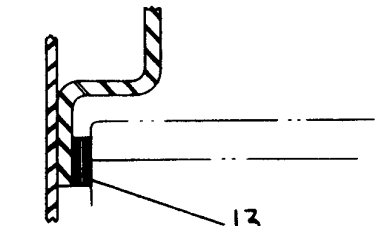
Notes

---

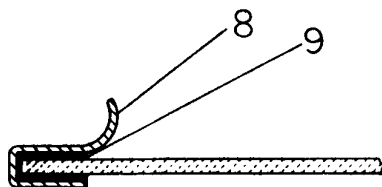
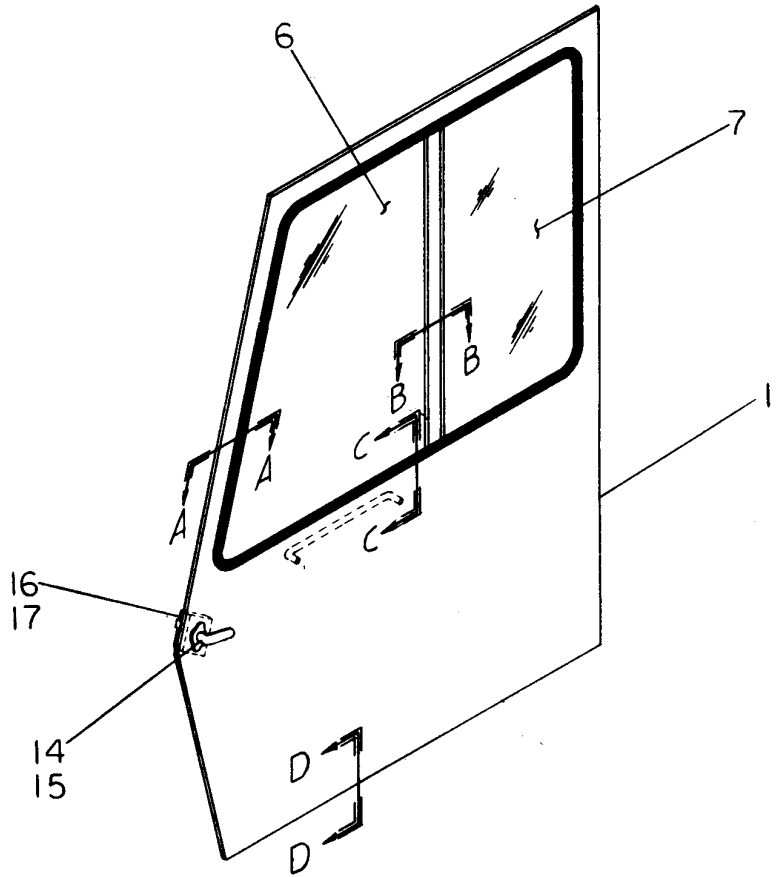
# Manitowoc Cranes



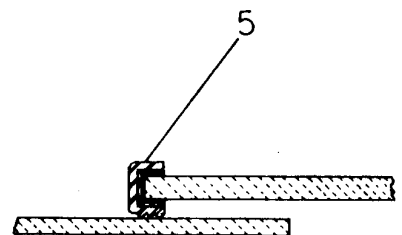
SECTION C-C



SECTION D-D



SECTION A-A



SECTION B-B

# Manitowoc Cranes

Description

**DOOR ASSEMBLY - CAB**

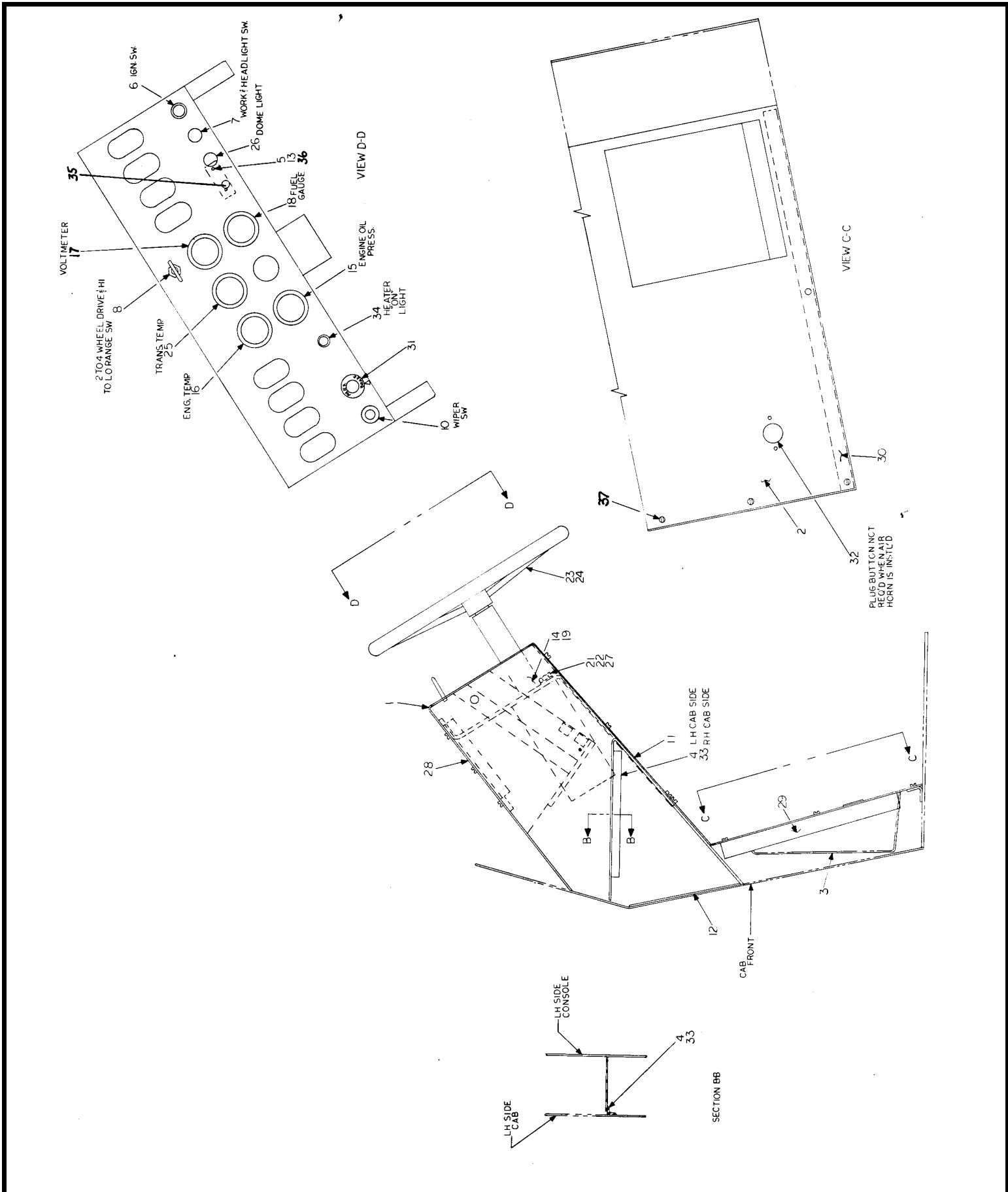
Assembly No.

**2150400009**

Revision:

Item	FN	Part	Qty	Description
1		6392000042	1	WELDMENT, CAB DOOR
5		6637002002	1	WEATHERSTRIP
6		7498000047	1	GLASS, LEFT SLIDING WINDOW
7		7498000046	1	GLASS
8		7511000052	1	PULL, FINGER
9		6637012001	1	GASKET, FINGER PULL
10		6637015010	1	SPACER,RUBBER
11		6637013010	1	CHANNEL, FLEXIBLE
12		6637014010	1	WEATHERSTRIP - RIGHT SIDE
13		6637000017	1	WEATHERSTRIP
14		6585000055	1	HANDLE, LOCK
15		7790100826	2	SCREW, SELF-TAPPING 3/16" - 24 N.C. X 1/2"
16		7511000016	1	HANDLE, INSIDE RIGHT HAND
17		7790100871	4	SCREW, SELF-TAPPING 3/16" - 24 N.C. X 1/2" GRADE 1
18		NSS	10	NOT SERVICED SEPARATELY SCREW (NOT SHOWN) SCREW (NOT SHOWN)
21		6637006010	1	WINDOW, TRIM

# Manitowoc Cranes



2160600045

(SHEET 1 OF 1)

# Manitowoc Cranes

Description

**FRONT CONTROL CONSOLE INSTALLATION  
(NOT AVAILABLE AS ASSEMBLY)**

Assembly No.

**2160600045**

Revision:

Item	FN	Part	Qty	Description
1		2160200222	1	FRONT CONTROL CONSOLE WELD
2		4160600056	1	PLATE, COVER
3		4160600078	1	ENCLOSURE, PEDAL
5		7872000065	1	BREAKER, 30 AMP CIRCUIT
6	#	7872000147	1	SWITCH, IGNITION
7	#	7872000007	1	SWITCH, HEADLAMP
8		7872000062	1	SWITCH, TOGGLE
10	#	7872000158	1	SWITCH, 24 VOLT
11		4160600028	1	PLATE, BOTTOM
12		6705001821	1	PLATE
13		7790100871	6	SCREW, SELF-TAPPING 3/16" - 24 N.C. X 1/2" GRADE 1
15		7486000124	1	GAUGE, OIL PRESSURE
16		7486000337	1	GAUGE, WATER TEMPERATURE
17		7486000335	1	VOLTMETER
18		7486000336	1	GAUGE, FUEL LEVEL
21		7950160050	2	WASHER, LOCK 3/8" I.D.
22		7115161250	2	CAP SCREW, 3/8" - 16 N.C. X 1 1/2" GRADE 5
23		7970000086	1	WHEEL, STEERING 15"
24		7660220030	1	NUT, HEX 3/4" - 16 N.F.
25		7486000365	1	GAUGE, OIL CONVERTER TEMPERATURE
27	+	7926000204	1	VALVE ASSEMBLY - STEERING
28		4160600029	1	COVER, TOP
29		4142800093	1	SUPPORT, ANGLE
30		4160600024	1	ANGLE
31		7926000199	1	VALVE ASSY,PUSH PULL CONTROL INCLUDES THE FOLLOWING PARTS
		9926101415	1	BUTTON
32		7242000015	1	PLUG
34	%	7581000115	1	LIGHT, GREEN SUPPLIED WHEN HEATER IS FURNISHED

# SERVICED AS AN ASSEMBLY ONLY  
% SEE NOTE AT END OF LIST

+ SEE FURTHER BREAKDOWN THIS GROUP

# Manitowoc Cranes

Description

**FRONT CONTROL CONSOLE INSTALLATION  
(NOT AVAILABLE AS ASSEMBLY)**

Assembly No.

**2160600045**

Revision:

Item	FN	Part	Qty	Description
				INCLUDES THE FOLLOWING PARTS
	%	7581000165	1	BULB, 12 VOLT
	%	7581000168	1	LIGHT, INDICATOR GREEN LENS
34	%	7242000012	1	BUTTON, PLUG
35		7709000035	1	PLUG, DOT 11/16" DIAMETER
36	#	7872000003	1	BREAKER, 20 AMP CIRCUIT
37		7791141250	23	SCREW, SELF-DRILLING 1/4"

% SEE NOTE AT END OF LIST

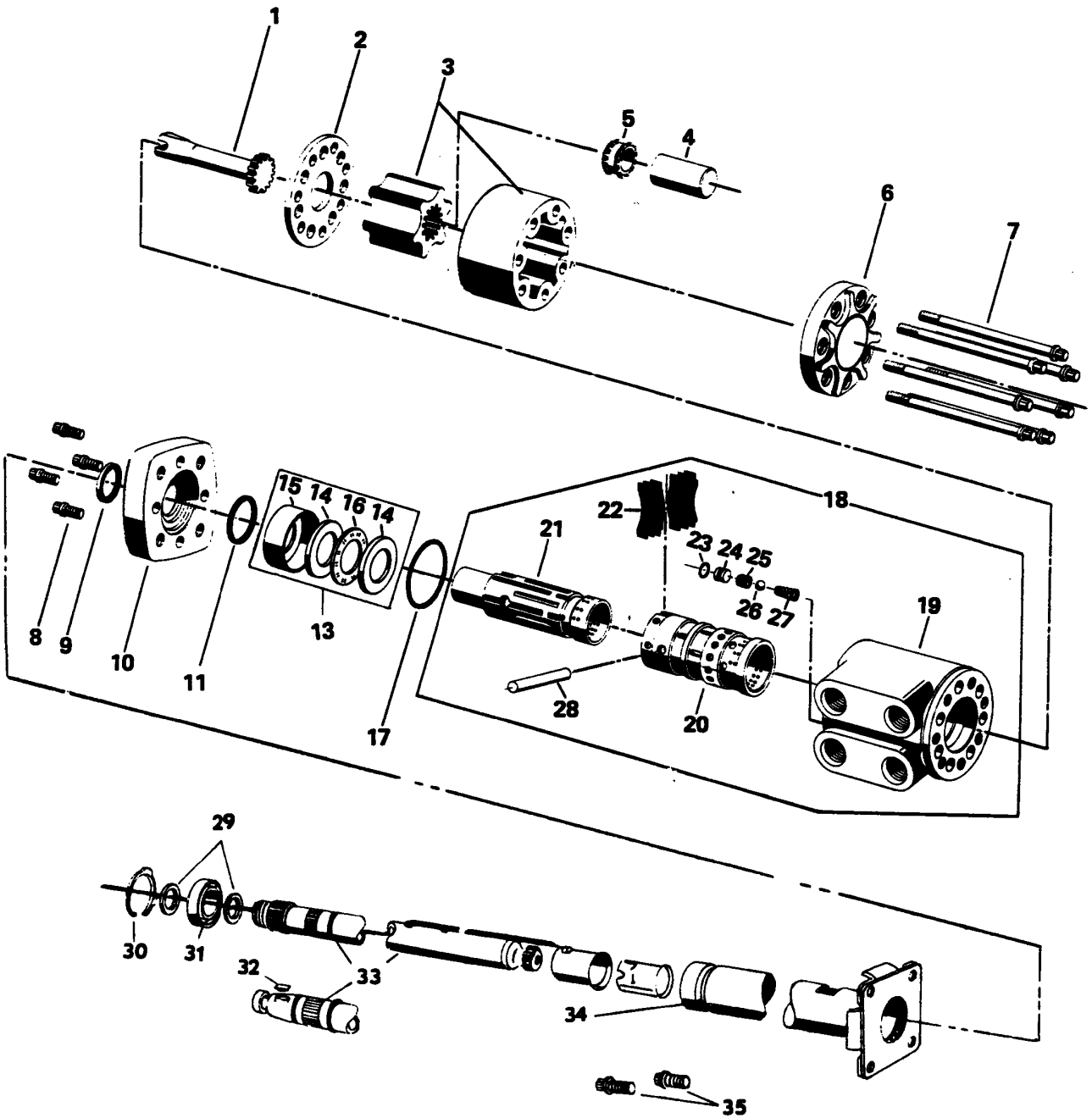
# SERVICED AS AN ASSEMBLY ONLY

# ***Manitowoc Cranes***

Notes

---

# Manitowoc Cranes





# Manitowoc Cranes

Description

**VALVE ASSEMBLY - STEERING**

Assembly No.

**7926000204**

Revision:

Item	FN	Part	Qty	Description
1		9926100319	1	DRIVE
2		9926100330	1	PLATE,SPACER
3		9926101353	1	GEAR
4		9926100325	1	SPACER
5		9926100326	1	SPLINE
6		9632100021	1	CAP, END
7		9926101354	7	CAP SCREW,
8		9632100001	4	CAP SCREW,
9	*	9632100002	1	SEAL
10		9926100083	1	PLATE,MTG
11	*	9632100005	1	RING, QUAD
14	@	NSS	2	NOT SERVICED SEPARATELY RACE, BEARING RACE, BEARING
15	@	NSS	1	NOT SERVICED SEPARATELY LOCATOR, BEARING LOCATOR, BEARING
16	@	NSS	1	NOT SERVICED SEPARATELY BEARING, NEEDLE THRUST BEARING, NEEDLE THRUST
17	*	9632100006	1	O-RING
18		9926101356	1	PARTS ASSY,CONTROL
19		NSS	1	NOT SERVICED SEPARATELY HOUSING, VALVE HOUSING, VALVE
20		NSS	1	NOT SERVICED SEPARATELY SLEEVE, CONTROL SLEEVE, CONTROL
21		NSS	1	NOT SERVICED SEPARATELY SPOOL, CONTROL SPOOL, CONTROL
22		9926100089	6	SPRING
23	*	9926100098	1	O-RING
24		9926100097	1	PLUG,SEAL
25		9926100096	1	SEAT, CHECK
26		9926100095	1	BALL
27		9926100094	1	SPRING

\* REPAIR KIT AND/OR PART OF KIT

@ SECOND REPAIR KIT AND/OR PART OF 2ND KIT

# Manitowoc Cranes

Description

**VALVE ASSEMBLY - STEERING**

Assembly No.

**7926000204**

Revision:

Item	FN	Part	Qty	Description
28		9926100088	1	PIN, CENTERING
29		9926100110	2	RING, SNAP
30		9926100327	1	RING
31		9926100108	1	BEARING
32		9926100115	1	KEY
33		9926100741	1	STEERING SHAFT ASSY
34		9926100742	1	TUBE AND FLANGE
35		9926100106	2	CAP SCREW,
36	*	9926100324	1	KIT, REPAIR
36	@	9926101561	1	BEARING KIT

\* REPAIR KIT AND/OR PART OF KIT

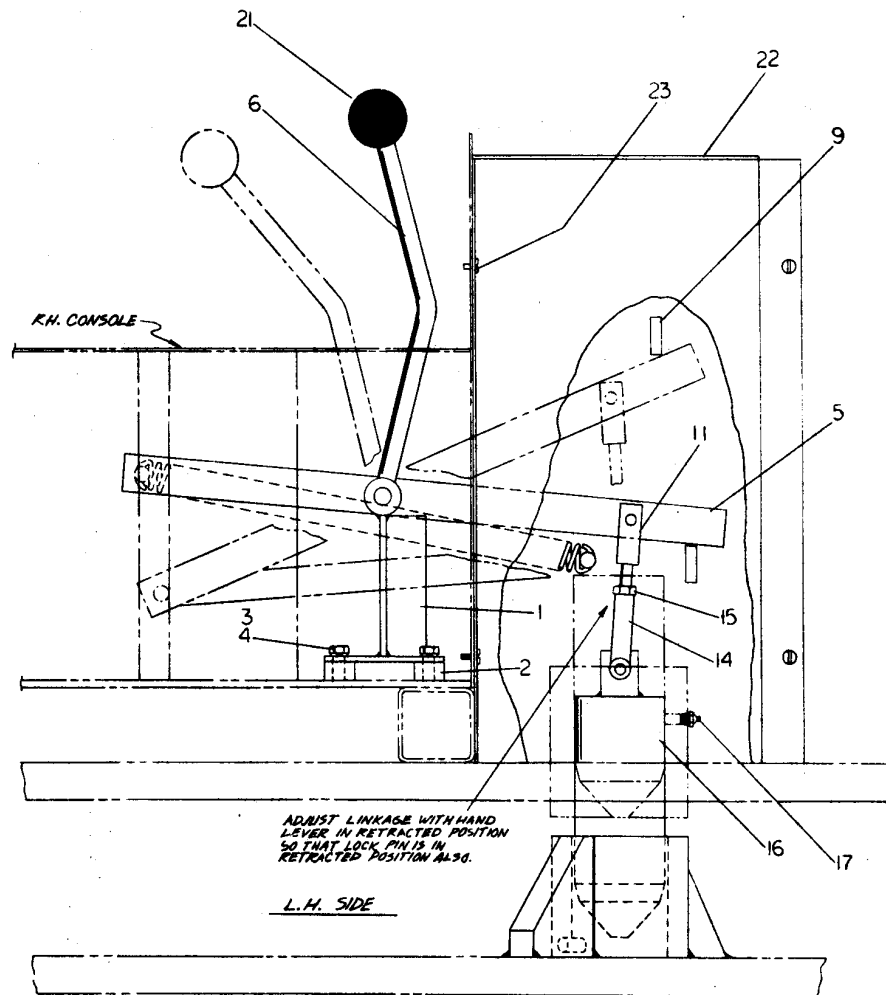
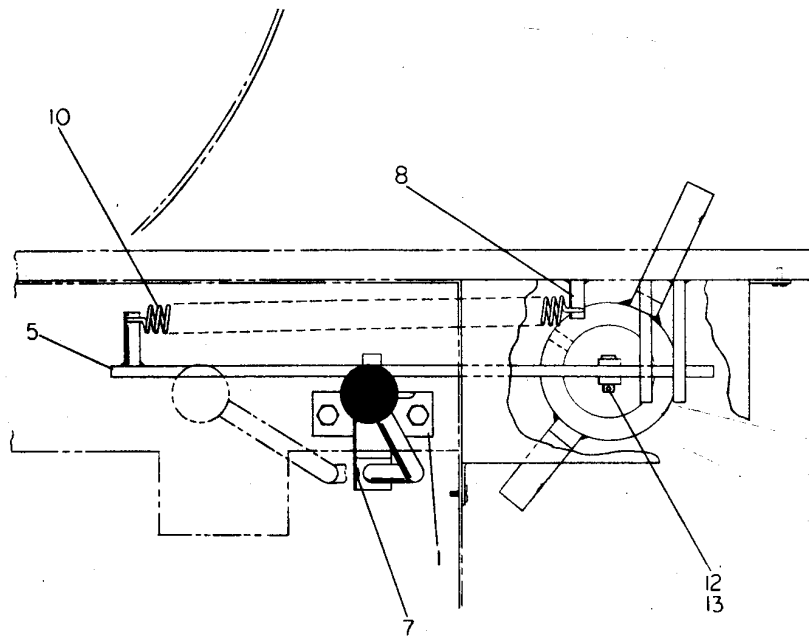
@ SECOND REPAIR KIT AND/OR PART OF 2ND KIT

# ***Manitowoc Cranes***

Notes

---

# Manitowoc Cranes



# Manitowoc Cranes

Description

**PIN INSTALLATION - TURNTABLE LOCK INSTALLATION  
(NOT AVAILABLE AS ASSEMBLY)**

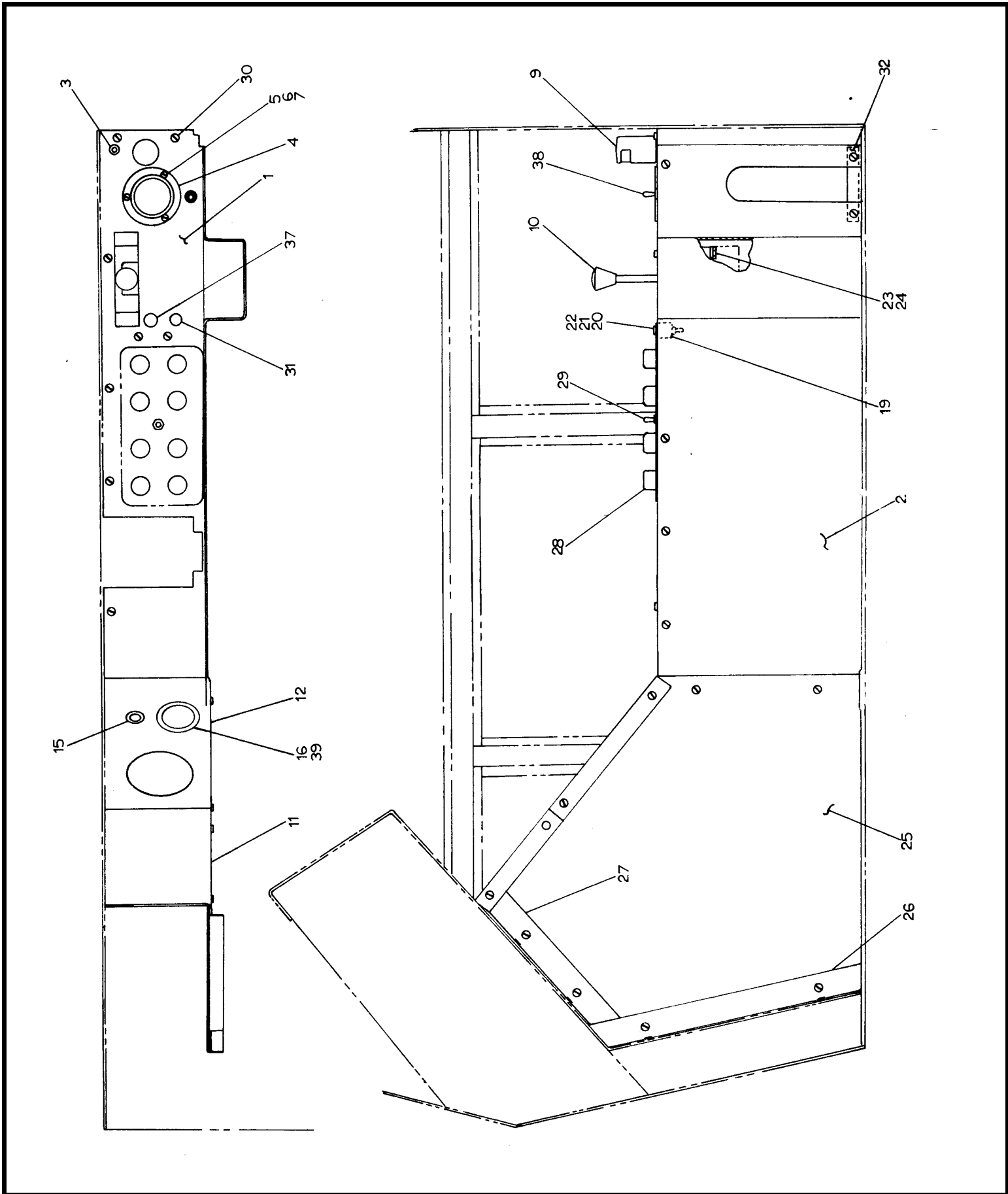
Assembly No.

**2160200022**

Revision:

Item	FN	Part	Qty	Description
1		2160200024	1	BRACKET, LINKAGE
2		4160200047	2	PAD, MTG.
3		7115160650	2	CAP SCREW, 3/8" - 16 N.C. X 3/4" GRADE 5
4		7950160050	2	WASHER, LOCK 3/8" I.D.
5		6593000116	1	LEVER
6		2162200010	1	LEVER, HAND
7		7690142045	1	PIN, ROLL 1/4" X 1 1/4"
8		6608000085	1	LUG
9		6705007911	2	SHIM, (.2500")
10		7834000012	1	SPRING
11		2104600177	1	ROD, CONNECTING
12		7690162000	2	PIN, 3/8 DIA. X 1 1/4" CLEVIS
13		7690051210	2	PIN, COTTER 1/8" X 3/4"
14		7308000001	1	YOKE
15		7660160030	1	NUT, 3/8" - 24 N.F. HEX
16		2162200014	1	PIN, LOCK
17		7440000000	1	FITTING, 1/8 STRAIGHT GREASE
21		7511000003	1	KNOB
22		2160200023	1	TURNTABLE LOCK PIN COVER WELD
23		7790100871	4	SCREW, SELF-TAPPING 3/16" - 24 N.C. X 1/2" GRADE 1

# Manitowoc Cranes



2160400063

(SHEET 1 OF 1)

# Manitowoc Cranes

Description

**CONTROL CONSOLE INSTALLATION - RIGHT HAND**

Assembly No.

**2160400063**

Revision:

Item	FN	Part	Qty	Description
1		4160400122	1	CONSOLE, TOP COVER - R.H.
2		2160400064	1	PLATE, PANEL CONSOLE SIDE WELDMENT - R.H.
3		7506000017	1	GROMMET .16" I.D.
4	#	7486000499	1	HOURMETER
7		7660060000	3	NUT, HEX #6 - 32 N.C. GRADE A
9	#	7581000117	1	LIGHT, DASH PANEL INCLUDES THE FOLLOWING PARTS
		9581100034	1	BULB
10	+	7926000198	1	VALVE ASSEMBLY
11	%	4160400068	1	COVER, CONSOLE
11	%	2160600163	1	SUPPORT BRKT WELD (FREE FALL W
12	%	4160400067	1	COVER, CONSOLE
12	%	4160400111	1	COVER, CONSOLE TO BE USED WHEN TACHOMETER IS NOT USED
15		7581000003	1	LIGHT, PILOT INCLUDES THE FOLLOWING PARTS
		7581000004	1	BULB
16		7486000338	1	GAUGE, PRESSURE - AIR
19	#	7872000003	1	BREAKER, 20 AMP CIRCUIT
20		7101100411	2	SCREW, MACHINE GRADE 1
21		7660100030	2	NUT
22		7950100050	2	WASHER, LOCK #10
23		7950160050	2	WASHER, LOCK 3/8" I.D.
24		7115160650	2	CAP SCREW, 3/8" - 16 N.C. X 3/4" GRADE 5
25		4160400062	1	COVER, CONSOLE SIDE
26		4160400063	1	ANGLE
27		4160400065	1	ANGLE
28	#	7872000066	8	SWITCH, PUSH BUTTON
29		7872000030	1	SWITCH, TOGGLE
30		7791141250	24	SCREW, SELF-DRILLING 1/4"

# SERVICED AS AN ASSEMBLY ONLY  
% SEE NOTE AT END OF LIST

+ SEE FURTHER BREAKDOWN THIS GROUP

# Manitowoc Cranes

Description

**CONTROL CONSOLE INSTALLATION - RIGHT HAND**

Assembly No.

**2160400063**

Revision:

Item	FN	Part	Qty	Description
31	%	7242000008	2	BUTTON, PLUG
32		6030000737	1	ANGLE
36		7660060000	2	NUT, HEX #6 - 32 N.C. GRADE A
37	%	7709000035	1	PLUG, DOT 11/16" DIAMETER NOT REQ'D WHEN FURNISHING REAR AXLE LOCKOUT OVERRIDE
38	#	7872000164	1	SWITCH, PUSH PULL
39		7576000085	1	KIT, 12 VOLT LIGHTING
		7581000052	1	INCLUDES THE FOLLOWING PARTS BULB

% SEE NOTE AT END OF LIST

# SERVICED AS AN ASSEMBLY ONLY



# Manitowoc Cranes

Description

**VALVE ASSEMBLY**

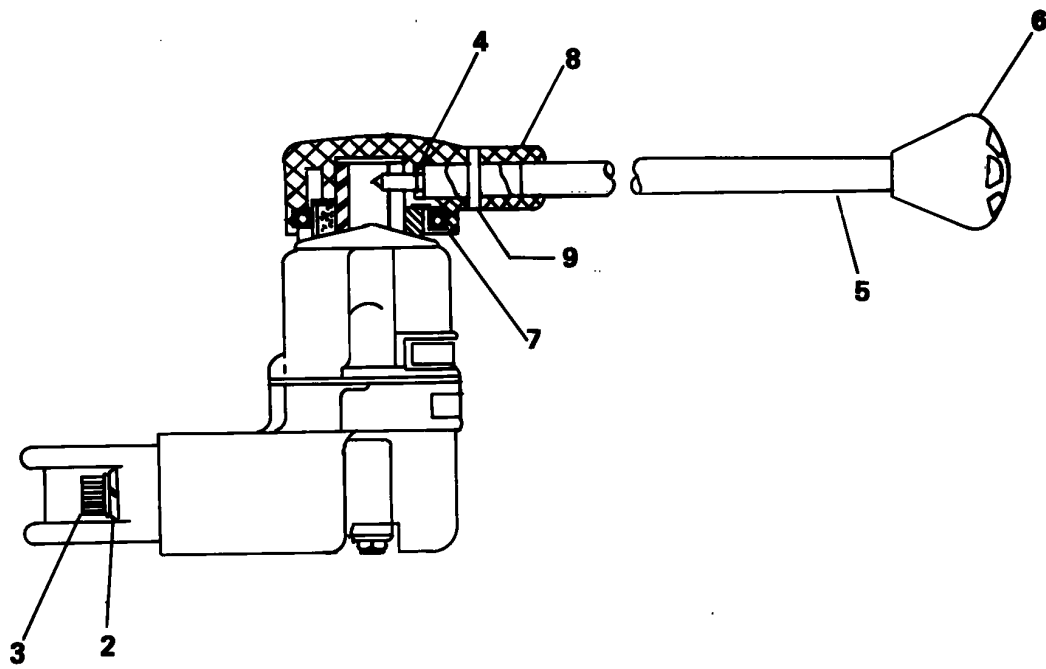
Assembly No.

**7926000198**

Revision:

Item	FN	Part	Qty	Description
1		7926000198	1	VALVE ASSEMBLY
2		7926000198	1	VALVE ASSEMBLY

# Manitowoc Cranes



# Manitowoc Cranes

Description

**VALVE ASSEMBLY**

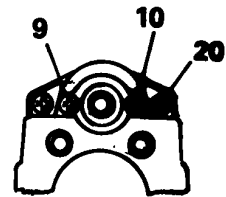
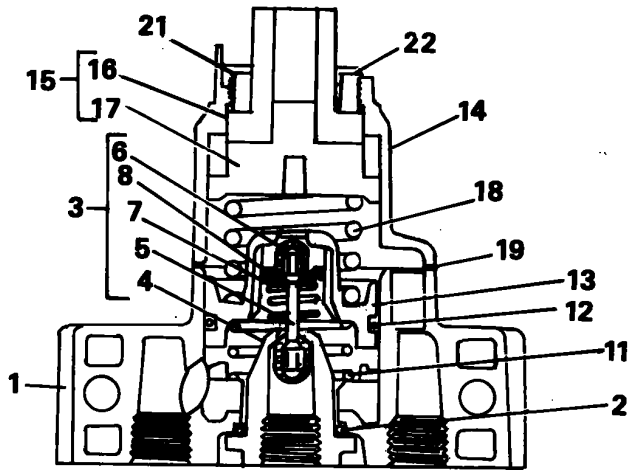
Assembly No.

**7926000198**

Revision:

Item	FN	Part	Qty	Description
2		9926101488	2	WASHER, LOCK
3		9926101489	2	SCREW,
4		9926101490	1	GROMMET
5		9926101491	1	VALVE, STEM
6		9926101492	1	KNOB
7		9372100331	1	GROMMET
8		9926101493	1	HEAD
9		9926101494	1	PIN

# Manitowoc Cranes



# Manitowoc Cranes

Description

**VALVE ASSEMBLY**

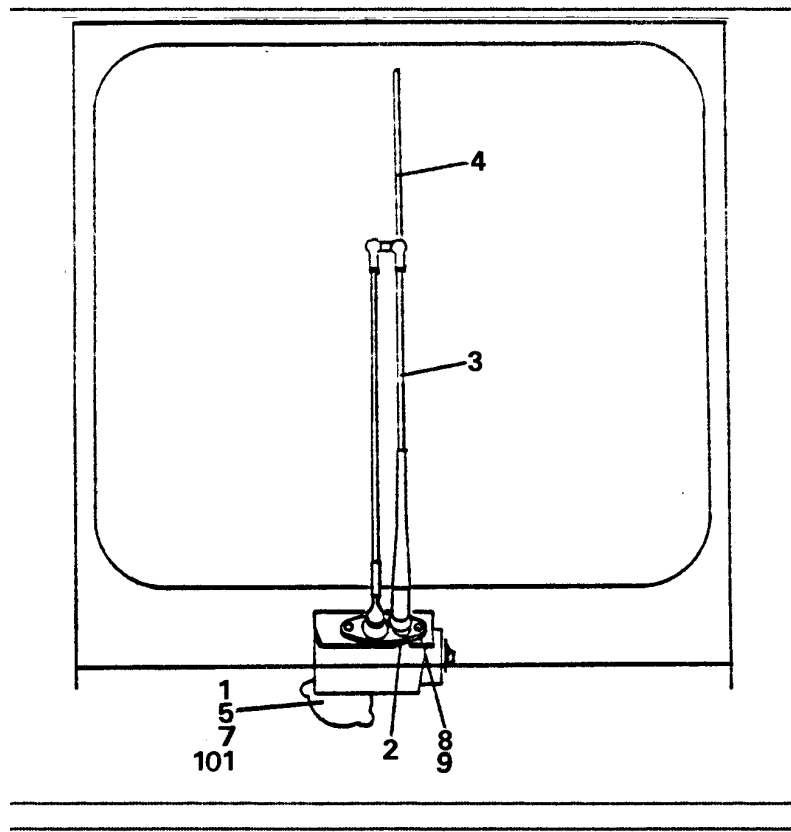
Assembly No.

**7926000198**

Revision:

Item	FN	Part	Qty	Description
1		9926101495	1	BODY
2		9926101496	1	O-RING
3		9926101497	1	VALVE
4		9926101498	1	VALVE SEAT
5		9926101499	1	VALVE STEM
6		9926101500	2	VALVE, INLET AND EXHAUST
7		9926101501	1	VALVE SPRING
8		9926101502	1	VALVE GUIDE
9		9926101503	2	SCREW,
10		9926101389	2	WASHER,
11		9926101504	1	SPRING
12		9926101505	1	O-RING, PISTON
13		9926101506	1	PISTON
14		9926101507	1	COVER
15		9926101508	1	CAM FOLLOWER
16		9926101509	1	FOLLOWER
17		9926101510	1	CAM
18		9926101511	1	SPRING
19		9926101512	1	GASKET
20		9926101513	2	SCREW,
21		9926101514	1	RING
22		9926101515	1	WASHER, LOCK

# Manitowoc Cranes



# Manitowoc Cranes

Description

**WIPER INSTALLATION - WINDSHIELD**

Assembly No.

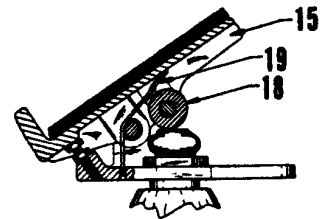
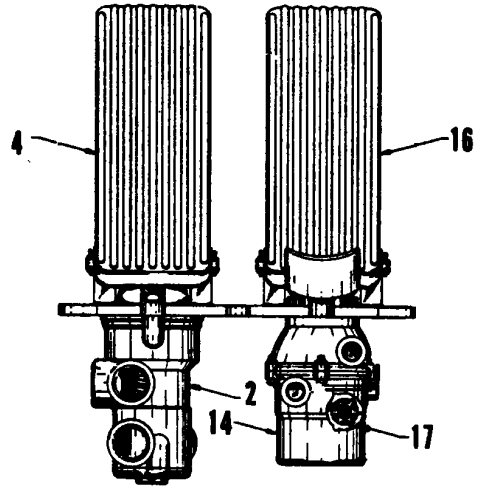
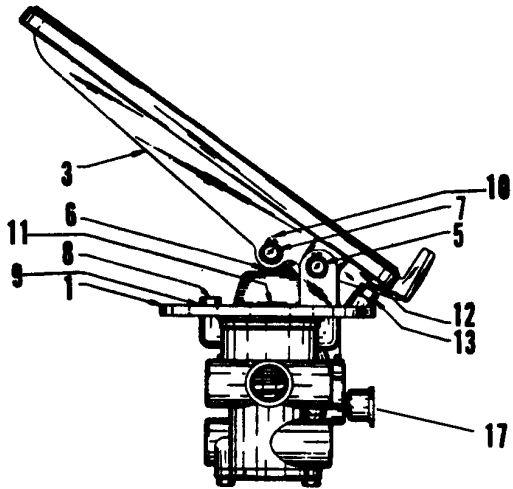
**2160400045**

Revision: **F**

Item	FN	Part	Qty	Description
1	#	7576000418	1	MOTOR, WIPER (12VOLT)
2	#	7576000017	1	KIT, ADAPTER
3	#	7033000041	1	ARM, WIPER - 20"
4		7083000003	1	BLADE
5		7810000866	1	KIT, PIVOT SHAFT
7		7033000081	1	ARM, CRANK
8		7105140650	2	CAP SCREW, 1/4" -28 N.F. X 3/4" GRADE 5
9		7950140050	2	WASHER, LOCK 1/4"
101		7978000850	1	HARNES, WIRING (WIPER)

# SERVICED AS AN ASSEMBLY ONLY

# Manitowoc Cranes





# Manitowoc Cranes

Description

**PEDAL ASSEMBLY**

Assembly No.

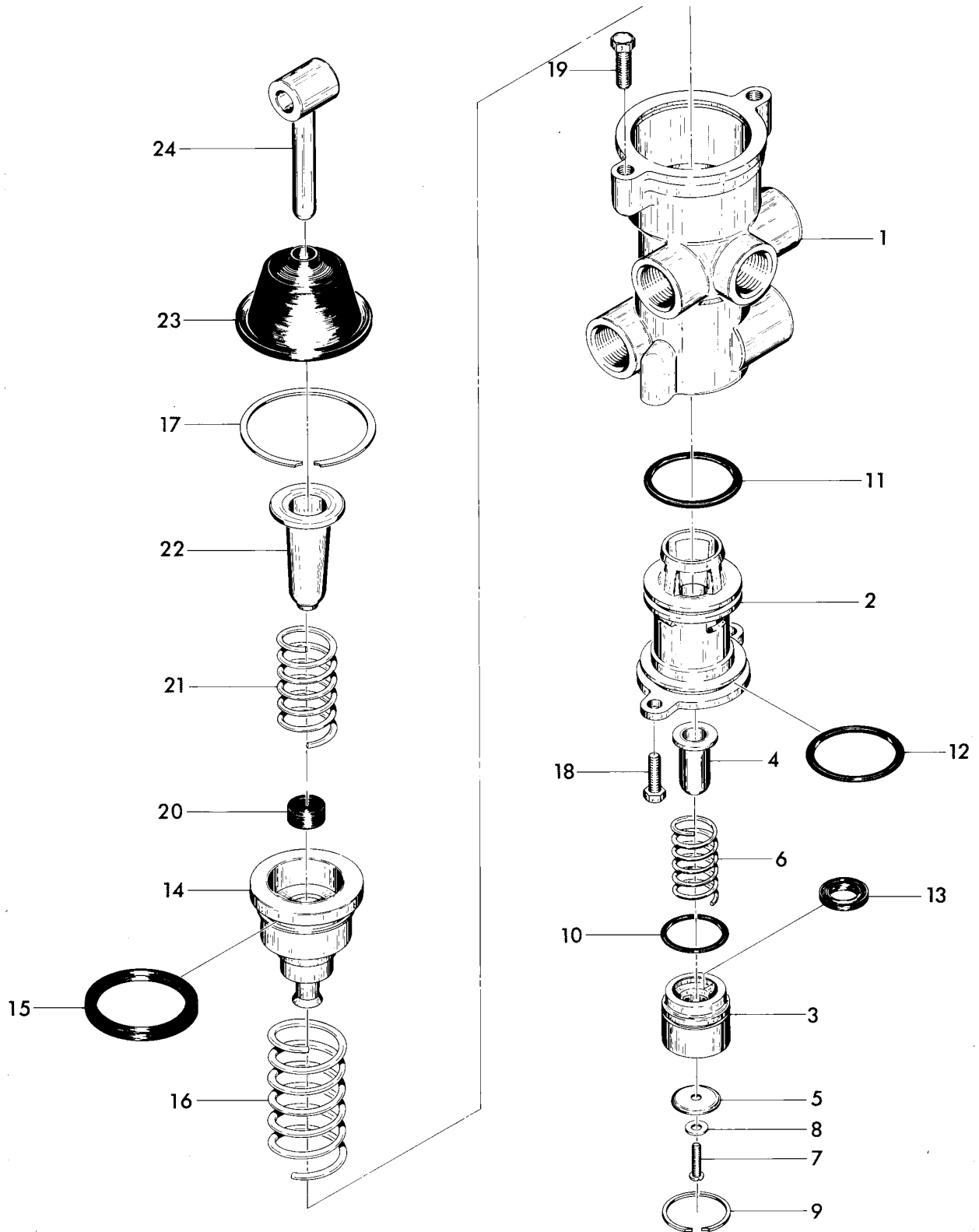
**7683000007**

Revision:

Item	FN	Part	Qty	Description
1		9926101143	1	PLATE
2	+	9926101144	1	VALVE, CONTROL
3		9926101145	1	TREADLE
4		9926101532	1	COVER, PEDAL
5		9926101147	2	PIN
6		9926101148	1	ROD, PUSH
7		9926101149	2	PIN
8		9926101150	2	CAP SCREW,
9		9926101151	2	WASHER, LOCK
10		9926101319	8	RING
11		9926101153	2	PLUG
12		9926101154	2	CAP SCREW,
13		9926101155	2	NUT
14	+	9926101156	1	VALVE ASSEMBLY - CONTROL
15		9926101157	1	PEDAL
16		9926101532	1	COVER, PEDAL
17		9926101315	1	BREATHER
18		9926101160	1	ROLLER
19		9926101161	1	SPRING
20		9926100859	1	KIT, REPAIR KIT, REPAIR - ONE KIT INCLUDES DIFFERENT SIZE BOOTS, RETAINER RINGS, AND SOME O-RINGS ONE KIT SHOULD SERVICE BOTH ITEMS 2 AND 14 FOR THE BOOT AND THE OUTSIDE RETAINER RINGS FOR THE REPAIR KIT FOR THE INSIDE SEALS OF ITEM 14 SEE PARTS BREAKDOWN FOR THAT ITEM

+ SEE FURTHER BREAKDOWN THIS GROUP

# Manitowoc Cranes



9-926-101144

# Manitowoc Cranes

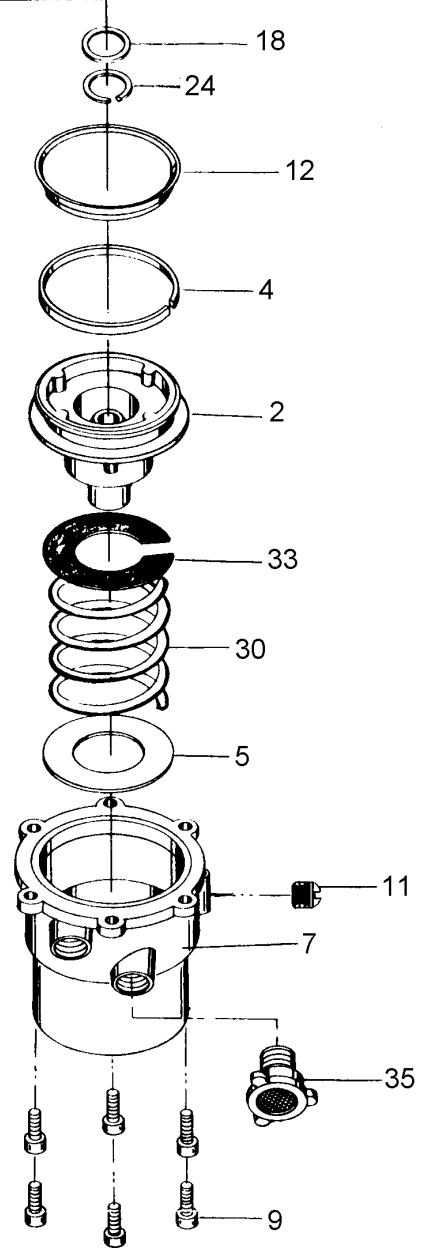
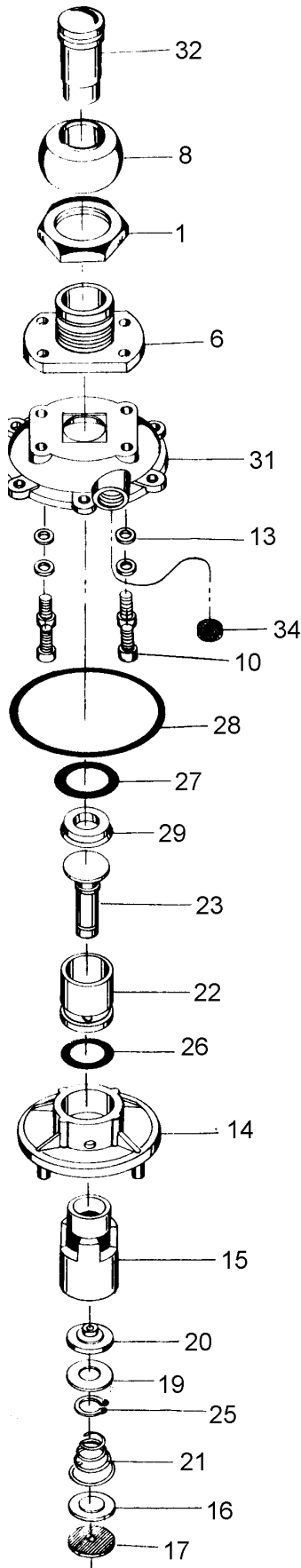
Description  
**VALVE, CONTROL**

Assembly No.  
**9926101144**  
 Revision:

Item	FN	Part	Qty	Description
1		9926102195	1	BODY, VALVE
2		9926102196	1	BODY, CARTRIDGE
3	*	9926102197	1	TUBE, CAP & GUIDE
4	*	9926102198	1	SEAT, TUBE
5	*	9926102199	1	DISV, EXHAUST CHECK
6	*	9926102200	1	SPRING, COMPRESSION
7	*	9926102201	1	SCREW,
8		9926102202	1	WASHER,
9	*	9926102203	1	RING, RETAINING
10	*	7755212000	1	O-RING
11	*	7755220000	1	O-RING
12	*	7755221000	1	O-RING
13	*	9926102204	1	U-CUP SEAL
14		NSS	1	NOT SERVICED SEPARATELY PISTON
15	*	9926101213	1	U-CUP
16		9926102206	1	SPRING, COMPRESSION
17		9926102207	1	RING, RETAINING
18		7101180550	2	BOLT, HEX 1/2" -20 N.F. X 5/8"
19		7111150850	2	CAP SCREW, HEX HEAD 5/16" - 18 N.C. X 1"
20	*	9926102158	1	STOP, SPRING-CUP
21		9926102157	1	SPRING, BALANCE
22		9926102156	1	SPRING, CUP
23	*	9926102155	1	BOOT, DUST
24		9926101148	1	ROD, PUSH
30	*	9926100859	1	KIT, REPAIR

\* REPAIR KIT AND/OR PART OF KIT

# Manitowoc Cranes



# Manitowoc Cranes

Description

**VALVE ASSEMBLY - CONTROL**

Assembly No.

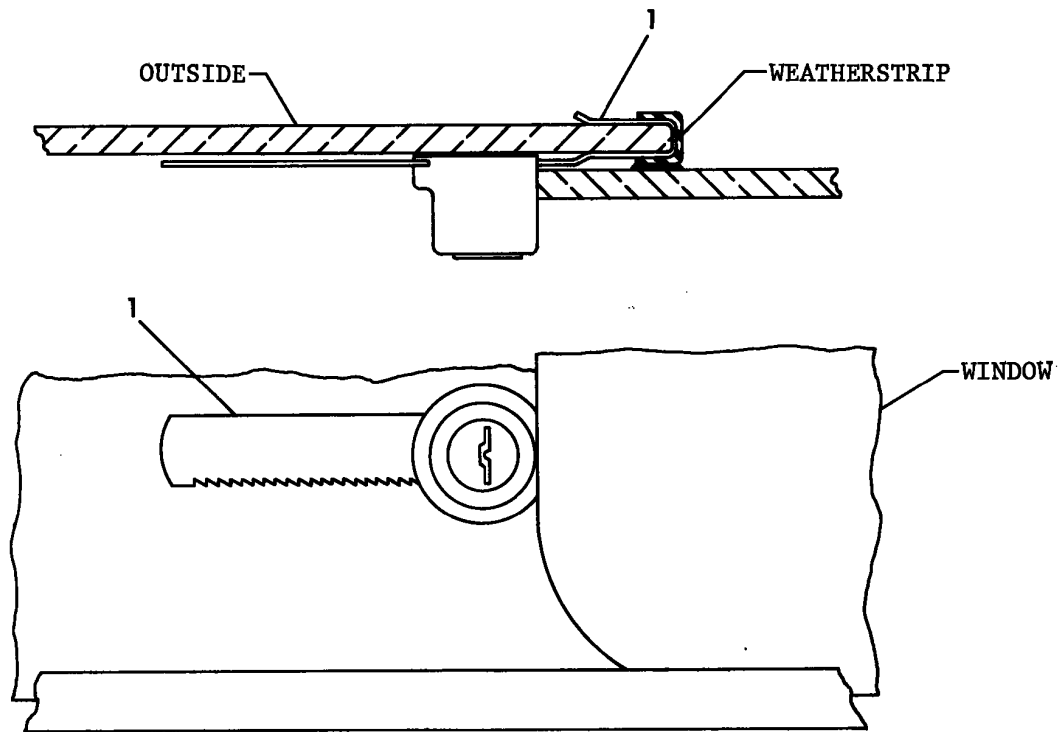
**9926101156**

Revision:

Item	FN	Part	Qty	Description
1		9926101204	1	NUT
2		9926101205	1	PISTON, BALANCE
4	*	9926101206	1	RING, THRUST
5		9926101207	1	SHIM,
6		9926101208	1	ROD, GUIDE
8	*	9926101210	1	BOOT, DUST
9		9926101211	6	SCREW, MACHINE
10		9926101211	4	SCREW, MACHINE
11		9926101212	1	PLUG
12	*	9926101213	1	U-CUP
13	*	9926101214	4	WASHER, SEAL
14	*	9926101215	1	BARRIER, PLATE
15	*	9926101215	1	BARRIER, PLATE
16	*	9926101217	1	SUPPORT, POPPET PLATE
17	*	9926101218	1	POPPET, EXHAUST
18		9926101219	1	DISC, RING
19		9926101220	1	DISC, SUPPORT
20	*	9926101221	1	POPPET, INLET
21	*	9926101222	1	SPRING
22		9926101223	1	SLEEVE
23		9926101224	1	PISTON
24	*	9926101225	1	RING, RETAINING
25	*	9926101226	1	RING, RETAINING
26	*	9926101227	1	O-RING
27	*	7755210000	1	CLAMP, O-RING
28	*	7755228000	1	O-RING
29	*	9926101230	1	U-CUP
30		9926101236	1	SPRING, BALANCE
31		9926101237	1	BODY, INLET
32		9926101238	1	ROD, PUSH
34		9926101481	1	SCREEN
35	*	9926101676	1	REPAIR KIT

\* REPAIR KIT AND/OR PART OF KIT

# Manitowoc Cranes



# Manitowoc Cranes

Description

**LOCK INSTALLATION - WINDOW (NOT AVAILABLE AS ASSEMBLY)**

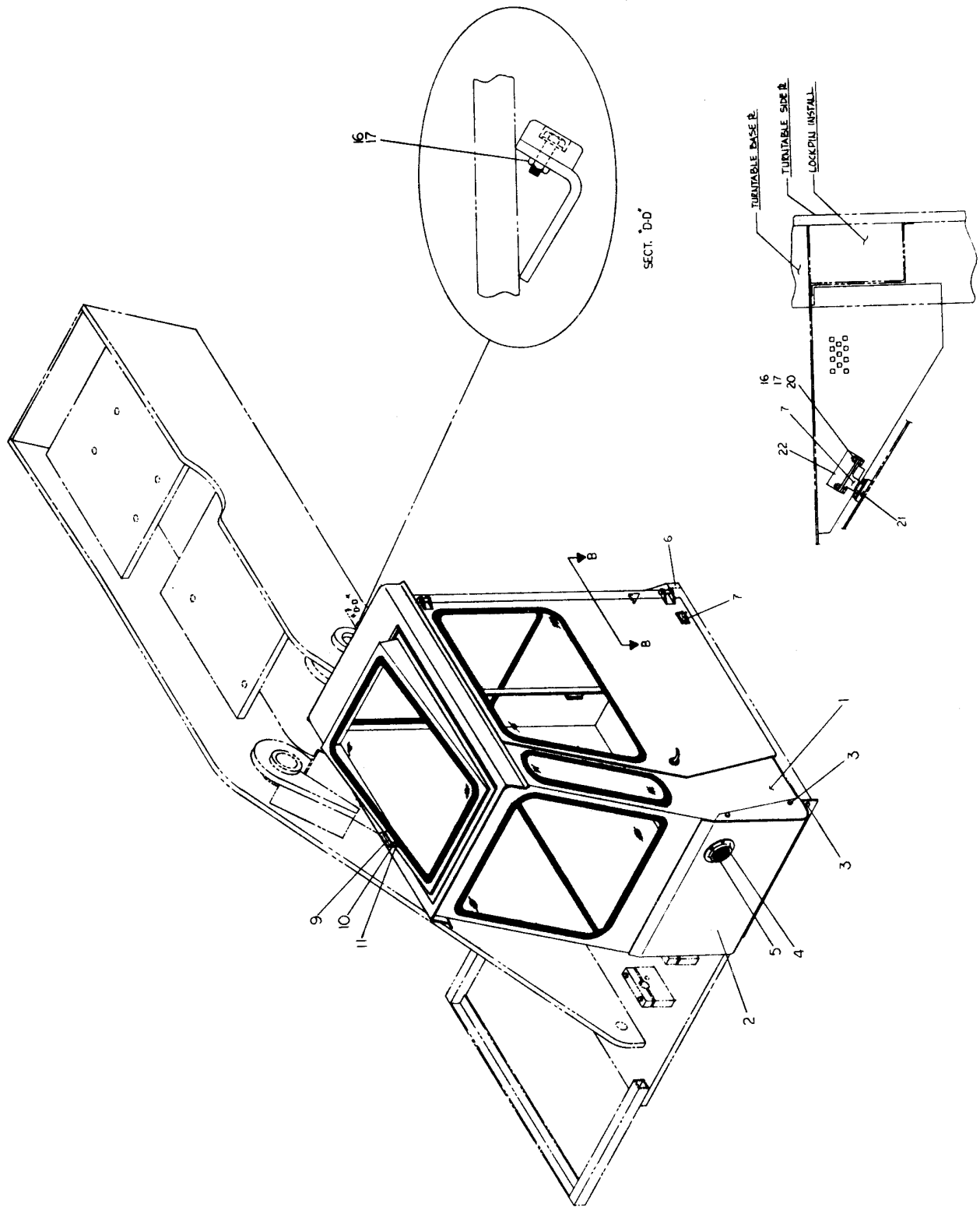
Assembly No.

**6585000063**

Revision: #

Item	FN	Part	Qty	Description
1		7585000019	1	LOCK, SLIDING GLASS

# Manitowoc Cranes





# Manitowoc Cranes

Description

**CAB INSTALLATION**

Assembly No.

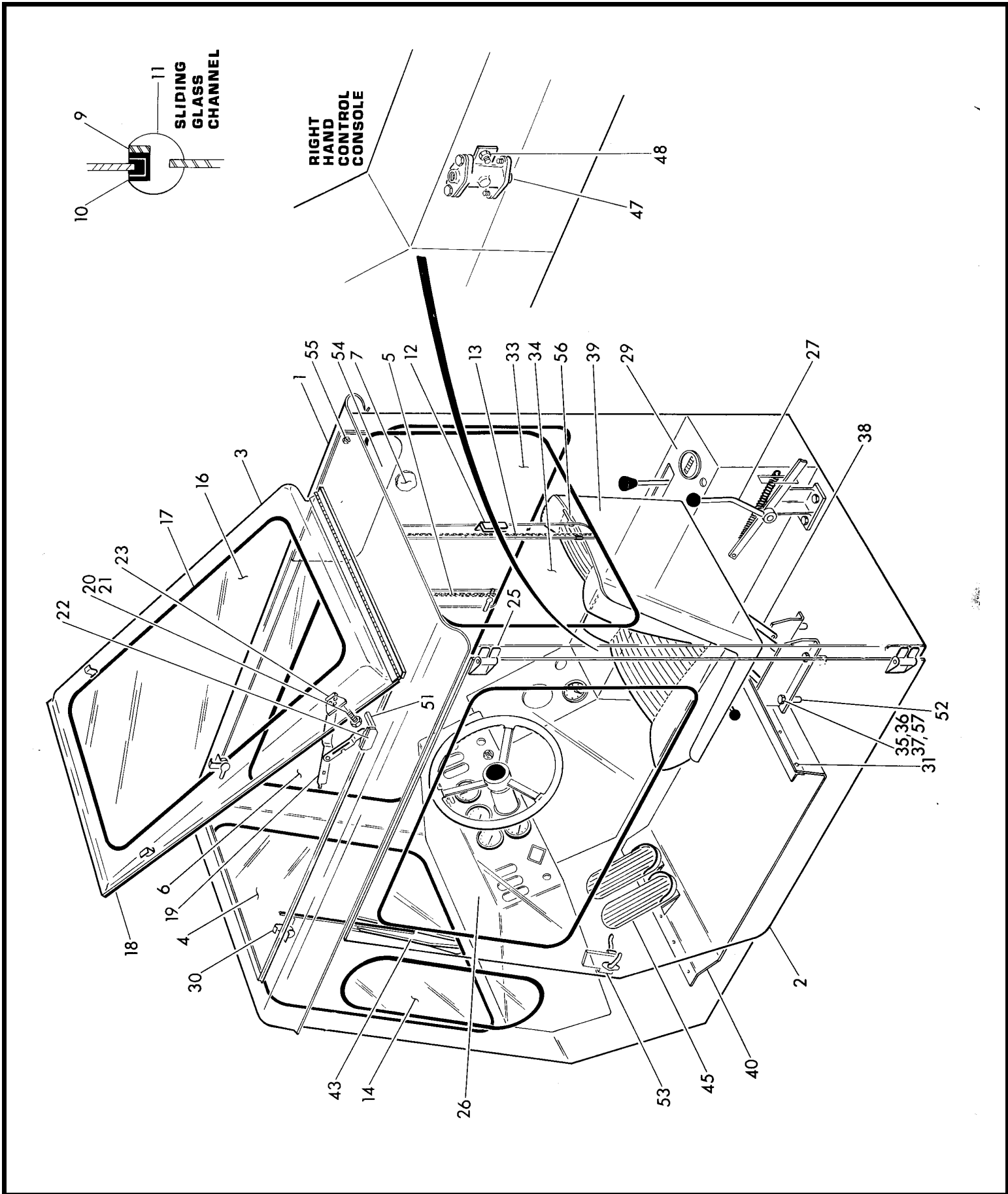
**2160400052**

Revision:

Item	FN	Part	Qty	Description
1	+	2160400042	1	CAB ASSEMBLY
2		4160400130	1	PLATE, FRONT COVER
3		1000000000	8	MAJOR "SPECIAL" LEGEND
4		7581000061	1	LIGHT, WORK
		9581100030	1	INCLUDES THE FOLLOWING PARTS
			1	BEAM, SEALED
5		7790100872	4	SCREW, PAN HEAD TAPPING 3/16" - 24 N.C. X 1/2"
6		4160400136	1	STEP, CAB WELD
7		7531000005	1	HOLDER, DOOR STRAP
			1	INCLUDES THE FOLLOWING PARTS
		3531000001	1	MALE HOLDER
		3531000002	1	FEMALE HOLDER
9		7581000015	1	LIGHT, DOME
			1	INCLUDES THE FOLLOWING PARTS
		9581100047	2	BULB
10		7790080881	2	SCREW, SELF-TAPPING 5/32" - 32 N.C. X 1/2"
11		7506000003	1	GROMMET, RUBBER .19" I.D.
16		7660140000	4	NUT, HEX 1/4" - 20 N.C.
17		7950140000	4	WASHER, LOCK 1/4" I.D.
20		7111140807	2	SCREW, MACHINE 1/4" - 20 N.C. X 1" GRADE 1
21		4160400121	1	PLATE, DOOR STOP MOUNTING
22		4160400120	1	BRACKET, MOUNTING

+ SEE FURTHER BREAKDOWN THIS GROUP

# Manitowoc Cranes



2160400042

(SHEET 1 OF 1)

# Manitowoc Cranes

Description  
**CAB ASSEMBLY**

Assembly No.  
**2160400042**  
Revision:

Item	FN	Part	Qty	Description
1		2160400049	1	CAB SECTION
2	+	2150400009	1	DOOR ASSEMBLY - CAB
3		2150400007	1	SKYLIGHT
4		7498000045	1	GLASS
5		6637002004	1	CHANNEL, WEATHERSTRIP
6		7498000049	1	GLASS RIGHT SIDE SLIDING
7		7498000048	1	GLASS RIGHT SIDE STATIONARY
9		6637015010	1	SPACER,RUBBER
10		6637013018	1	CHANNEL
11		6637014018	1	WEATHERSTRIP
12		7511000052	2	PULL, FINGER
13		6637012001	1	GASKET, FINGER PULL
14		7498000043	1	GLASS, CAB LEFT SIDE
16		7498000054	1	GLASS, SKYLIGHT TINTED
17		6637003023	1	WEATHERSTRIP
18		6637000011	1	GASKET
19		7869000077	1	SUPPORT
20		7115140350	5	CAP SCREW, 1/4" - 20 N.C. X 3/8" GRADE 5
21		7950140050	5	WASHER, LOCK 1/4"
22		4150400095	1	BLOCK, MOUNTING
23		4150400094	1	BLOCK, MOUNTING
25		2160400070	2	HINGE
26	+	2160600045	1	FRONT CONTROL CONSOLE INSTALLATION (NOT AVAILABLE AS ASSEMBLY)
27	+%	2160200022	1	PIN INSTALLATION - TURNTABLE LOCK INSTALLATION (NOT AVAILABLE AS ASSEMBLY)
27	%	6585000057	1	POSITIVE SWING LOCK INSTALLATION
29	+	2160400063	1	CONTROL CONSOLE INSTALLATION - RIGHT HAND
30		7585000004	2	SASH LOCK

+ SEE FURTHER BREAKDOWN THIS GROUP

% SEE NOTE AT END OF LIST

# Manitowoc Cranes

Description  
**CAB ASSEMBLY**

Assembly No.  
**2160400042**  
Revision:

Item	FN	Part	Qty	Description
31		7790140853	5	SCREW, SELF-TAPPING 1/4" - 20 N.C. X 1/2"
33		7498000050	1	GLASS, STATIONARY REAR
34		7498000051	1	GLASS, REAR SLIDING
35		7115151650	4	CAP SCREW, 5/16" -18 N.C. X 2" GRADE 5
36		7660150000	5	NUT, HEX 5/16" - 18 N.C.
37		7950150050	5	WASHER, LOCK 5/16" I.D.
38		7869000238	1	SEAT, SUSPENSION
39		7798000030	1	SEAT
40		2161400004	1	COVER, BRAKE
43	+	2160400045	1	WIPER INSTALLATION - WINDSHIELD
45	+	7683000007	1	PEDAL ASSEMBLY
47	#	7926000139	1	VALVE ASSEMBLY - DOUBLE CHECK
48		7112150750	1	BOLT, HEX 5/16" -18 N.C. X 7/8"
51		6705001815	1	PLATE
52		6200080808	4	BUSHING
53		6570081200	1	KEY STOCK
54		6705004573	1	PLATE, LOAD CHART MOUNTING
55		7791141250	4	SCREW, SELF-DRILLING 1/4"
56	+%	6585000063	1	LOCK INSTALLATION - WINDOW (NOT AVAILABLE AS ASSEMBLY)

+ SEE FURTHER BREAKDOWN THIS GROUP  
% SEE NOTE AT END OF LIST

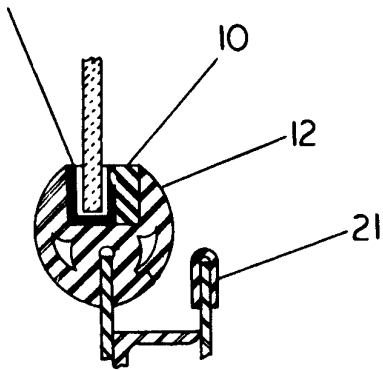
# SERVICED AS AN ASSEMBLY ONLY

# ***Manitowoc Cranes***

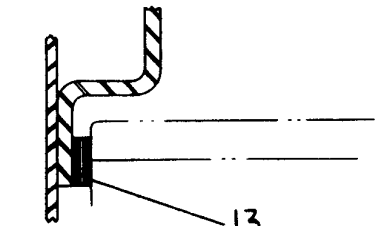
Notes

---

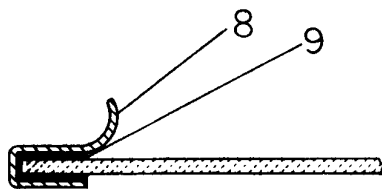
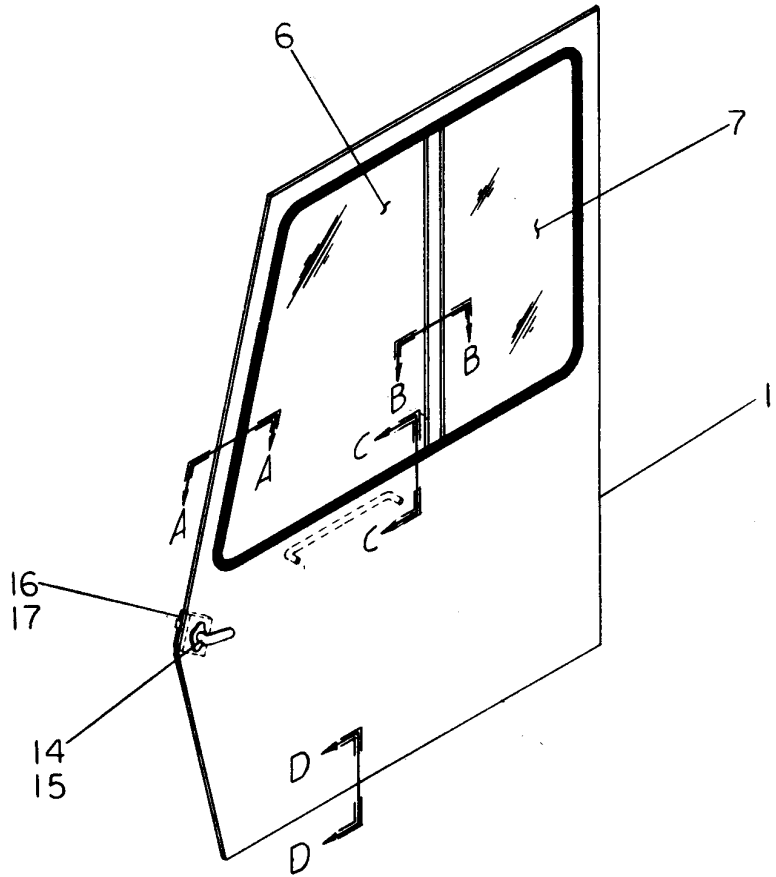
# Manitowoc Cranes



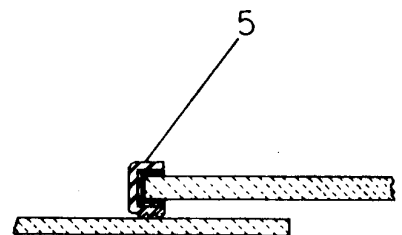
SECTION C-C



SECTION D-D



SECTION A-A



SECTION B-B

# Manitowoc Cranes

Description

**DOOR ASSEMBLY - CAB**

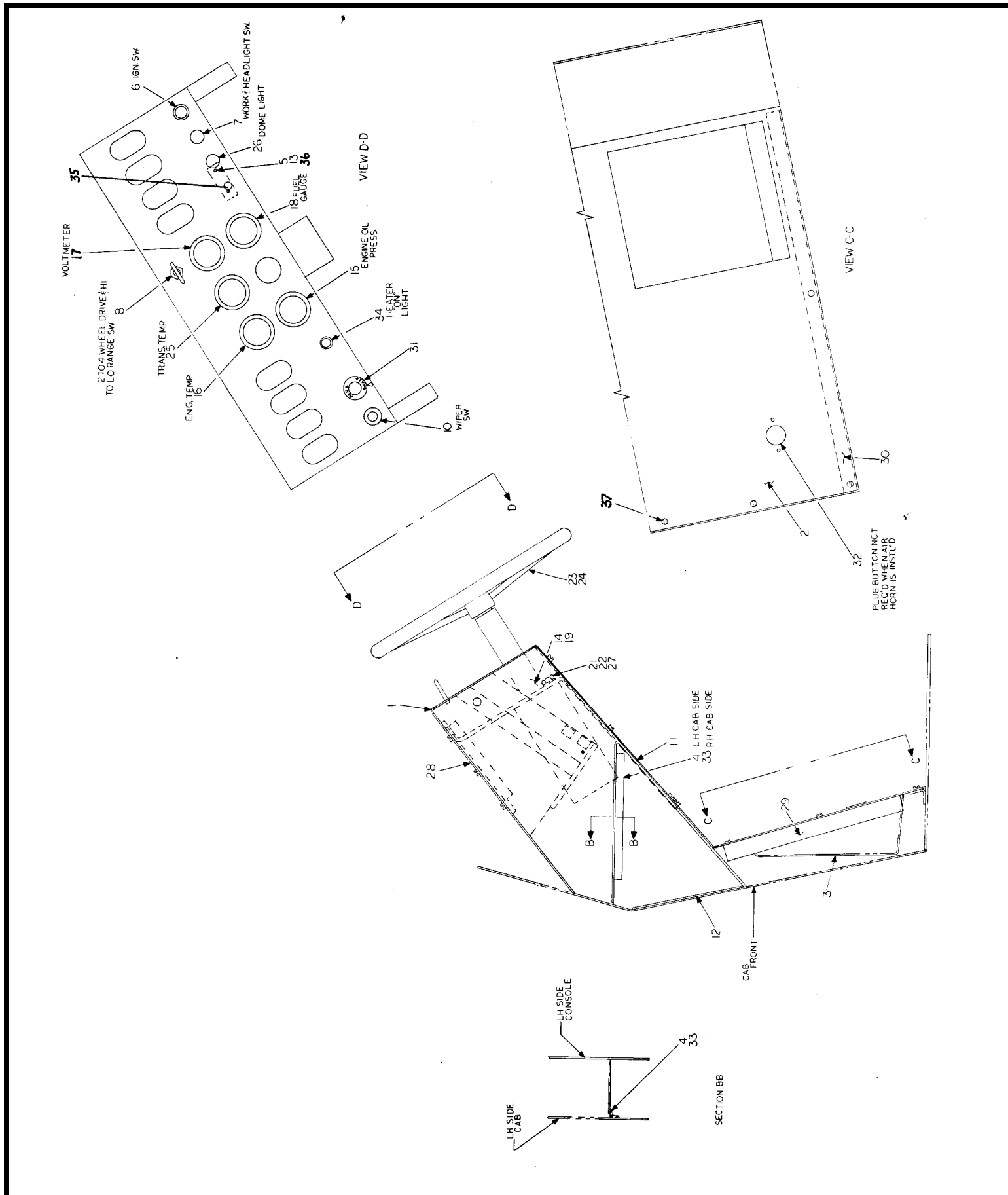
Assembly No.

**2150400009**

Revision:

Item	FN	Part	Qty	Description
1		6392000042	1	WELDMENT, CAB DOOR
5		6637002002	1	WEATHERSTRIP
6		7498000047	1	GLASS, LEFT SLIDING WINDOW
7		7498000046	1	GLASS
8		7511000052	1	PULL, FINGER
9		6637012001	1	GASKET, FINGER PULL
10		6637015010	1	SPACER,RUBBER
11		6637013010	1	CHANNEL, FLEXIBLE
12		6637014010	1	WEATHERSTRIP - RIGHT SIDE
13		6637000017	1	WEATHERSTRIP
14		6585000055	1	HANDLE, LOCK
15		7790100826	2	SCREW, SELF-TAPPING 3/16" - 24 N.C. X 1/2"
16		7511000016	1	HANDLE, INSIDE RIGHT HAND
17		7790100871	4	SCREW, SELF-TAPPING 3/16" - 24 N.C. X 1/2" GRADE 1
18		NSS	10	NOT SERVICED SEPARATELY SCREW (NOT SHOWN) SCREW (NOT SHOWN)
21		6637006010	1	WINDOW, TRIM

# Manitowoc Cranes





# Manitowoc Cranes

Description

**FRONT CONTROL CONSOLE INSTALLATION  
(NOT AVAILABLE AS ASSEMBLY)**

Assembly No.

**2160600045**

Revision:

Item	FN	Part	Qty	Description
1		2160200222	1	FRONT CONTROL CONSOLE WELD
2		4160600056	1	PLATE, COVER
3		4160600078	1	ENCLOSURE, PEDAL
5		7872000065	1	BREAKER, 30 AMP CIRCUIT
6	#	7872000147	1	SWITCH, IGNITION
7	#	7872000007	1	SWITCH, HEADLAMP
8		7872000062	1	SWITCH, TOGGLE
10	#	7872000158	1	SWITCH, 24 VOLT
11		4160600028	1	PLATE, BOTTOM
12		6705001821	1	PLATE
13		7790100871	6	SCREW, SELF-TAPPING 3/16" - 24 N.C. X 1/2" GRADE 1
15		7486000124	1	GAUGE, OIL PRESSURE
16		7486000337	1	GAUGE, WATER TEMPERATURE
17		7486000335	1	VOLTMETER
18		7486000336	1	GAUGE, FUEL LEVEL
21		7950160050	2	WASHER, LOCK 3/8" I.D.
22		7115161250	2	CAP SCREW, 3/8" - 16 N.C. X 1 1/2" GRADE 5
23		7970000086	1	WHEEL, STEERING 15"
24		7660220030	1	NUT, HEX 3/4" - 16 N.F.
25		7486000365	1	GAUGE, OIL CONVERTER TEMPERATURE
27	+	7926000204	1	VALVE ASSEMBLY - STEERING
28		4160600029	1	COVER, TOP
29		4142800093	1	SUPPORT, ANGLE
30		4160600024	1	ANGLE
31		7926000199	1	VALVE ASSY,PUSH PULL CONTROL INCLUDES THE FOLLOWING PARTS
		9926101415	1	BUTTON
32		7242000015	1	PLUG
34	%	7581000115	1	LIGHT, GREEN SUPPLIED WHEN HEATER IS FURNISHED

# SERVICED AS AN ASSEMBLY ONLY  
% SEE NOTE AT END OF LIST

+ SEE FURTHER BREAKDOWN THIS GROUP

# Manitowoc Cranes

Description

**FRONT CONTROL CONSOLE INSTALLATION  
(NOT AVAILABLE AS ASSEMBLY)**

Assembly No.

**2160600045**

Revision:

Item	FN	Part	Qty	Description
				INCLUDES THE FOLLOWING PARTS
	%	7581000165	1	BULB, 12 VOLT
	%	7581000168	1	LIGHT, INDICATOR GREEN LENS
34	%	7242000012	1	BUTTON, PLUG
35		7709000035	1	PLUG, DOT 11/16" DIAMETER
36	#	7872000003	1	BREAKER, 20 AMP CIRCUIT
37		7791141250	23	SCREW, SELF-DRILLING 1/4"

% SEE NOTE AT END OF LIST

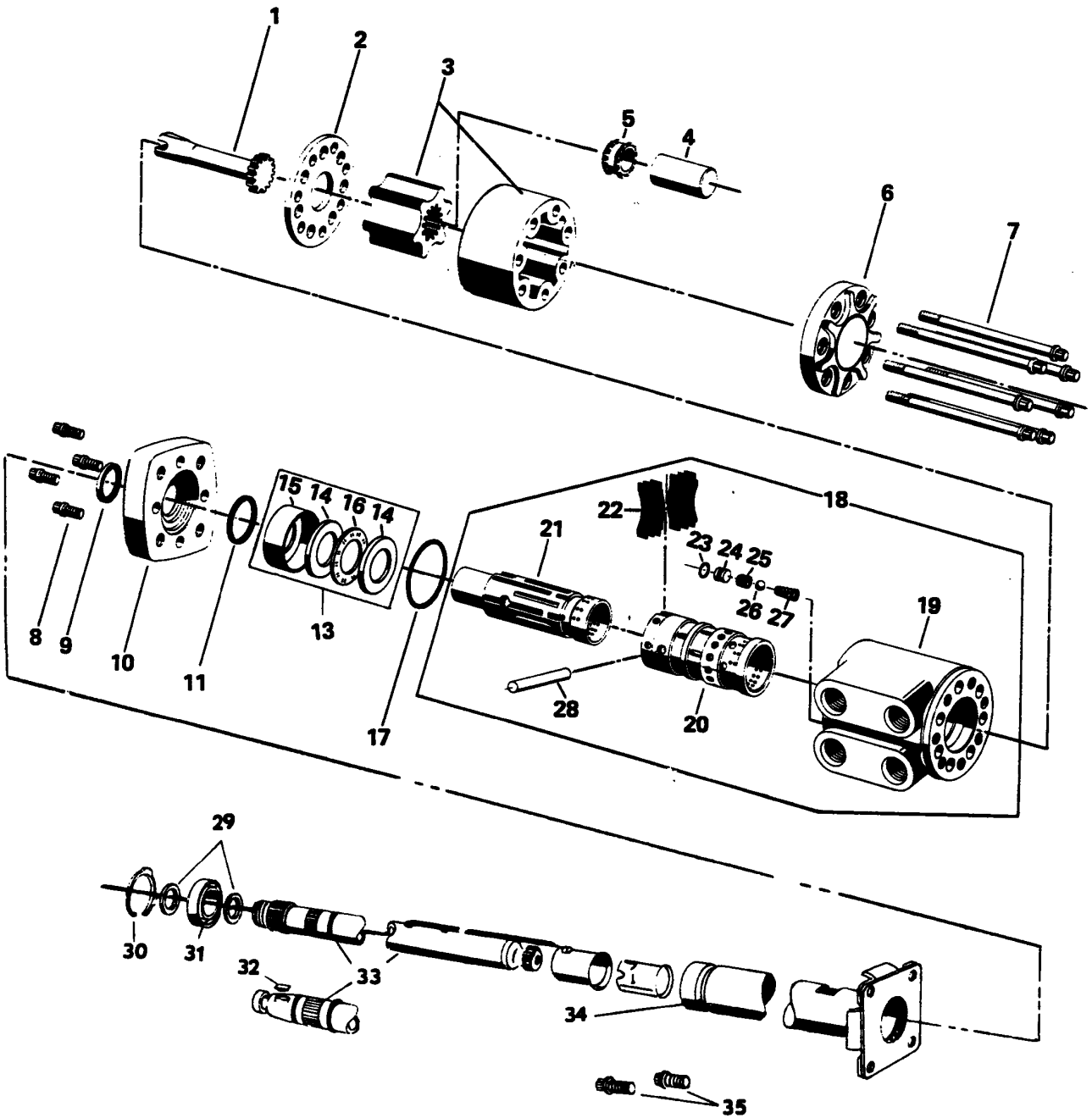
# SERVICED AS AN ASSEMBLY ONLY

# ***Manitowoc Cranes***

Notes

---

# Manitowoc Cranes



# Manitowoc Cranes

Description

**VALVE ASSEMBLY - STEERING**

Assembly No.

**7926000204**

Revision:

Item	FN	Part	Qty	Description
1		9926100319	1	DRIVE
2		9926100330	1	PLATE,SPACER
3		9926101353	1	GEAR
4		9926100325	1	SPACER
5		9926100326	1	SPLINE
6		9632100021	1	CAP, END
7		9926101354	7	CAP SCREW,
8		9632100001	4	CAP SCREW,
9	*	9632100002	1	SEAL
10		9926100083	1	PLATE,MTG
11	*	9632100005	1	RING, QUAD
14	@	NSS	2	NOT SERVICED SEPARATELY RACE, BEARING RACE, BEARING
15	@	NSS	1	NOT SERVICED SEPARATELY LOCATOR, BEARING LOCATOR, BEARING
16	@	NSS	1	NOT SERVICED SEPARATELY BEARING, NEEDLE THRUST BEARING, NEEDLE THRUST
17	*	9632100006	1	O-RING
18		9926101356	1	PARTS ASSY,CONTROL
19		NSS	1	NOT SERVICED SEPARATELY HOUSING, VALVE HOUSING, VALVE
20		NSS	1	NOT SERVICED SEPARATELY SLEEVE, CONTROL SLEEVE, CONTROL
21		NSS	1	NOT SERVICED SEPARATELY SPOOL, CONTROL SPOOL, CONTROL
22		9926100089	6	SPRING
23	*	9926100098	1	O-RING
24		9926100097	1	PLUG,SEAL
25		9926100096	1	SEAT, CHECK
26		9926100095	1	BALL
27		9926100094	1	SPRING

\* REPAIR KIT AND/OR PART OF KIT

@ SECOND REPAIR KIT AND/OR PART OF 2ND KIT

# Manitowoc Cranes

Description

**VALVE ASSEMBLY - STEERING**

Assembly No.

**7926000204**

Revision:

Item	FN	Part	Qty	Description
28		9926100088	1	PIN, CENTERING
29		9926100110	2	RING, SNAP
30		9926100327	1	RING
31		9926100108	1	BEARING
32		9926100115	1	KEY
33		9926100741	1	STEERING SHAFT ASSY
34		9926100742	1	TUBE AND FLANGE
35		9926100106	2	CAP SCREW,
36	*	9926100324	1	KIT, REPAIR
36	@	9926101561	1	BEARING KIT

\* REPAIR KIT AND/OR PART OF KIT

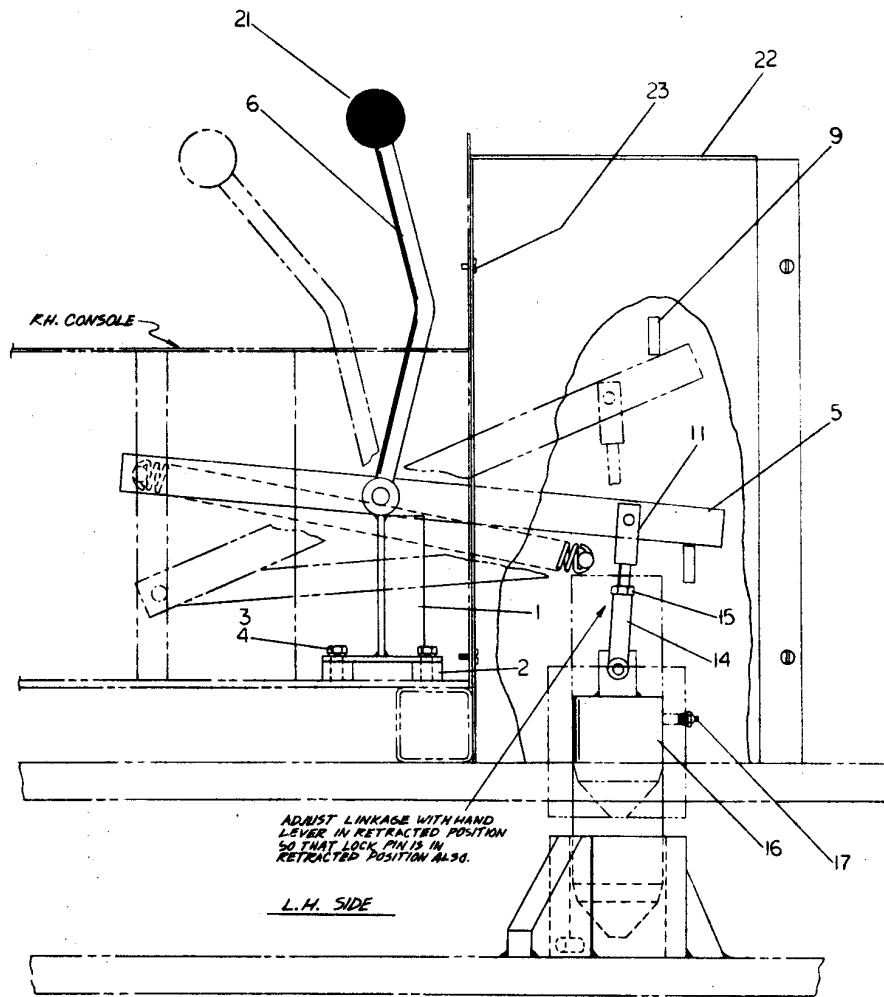
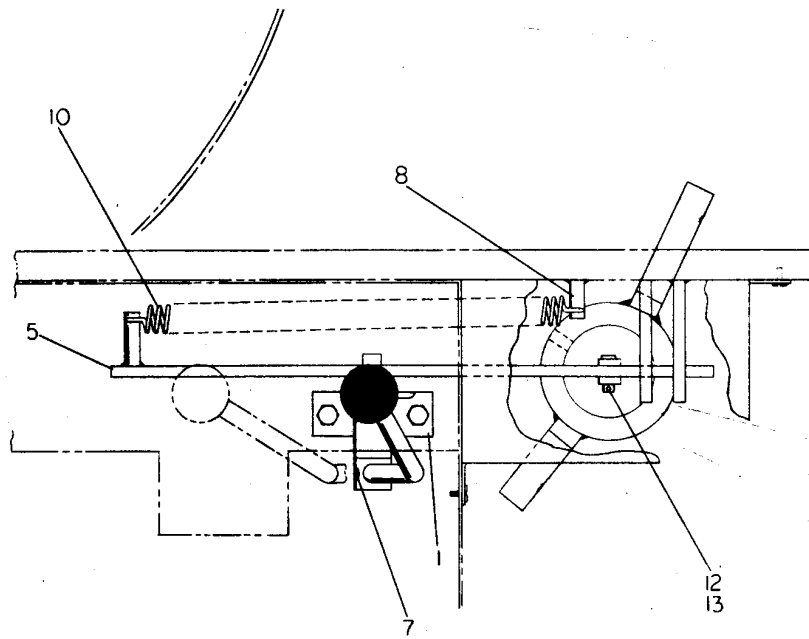
@ SECOND REPAIR KIT AND/OR PART OF 2ND KIT

# ***Manitowoc Cranes***

Notes

---

# Manitowoc Cranes





# Manitowoc Cranes

Description

**PIN INSTALLATION - TURNTABLE LOCK INSTALLATION  
(NOT AVAILABLE AS ASSEMBLY)**

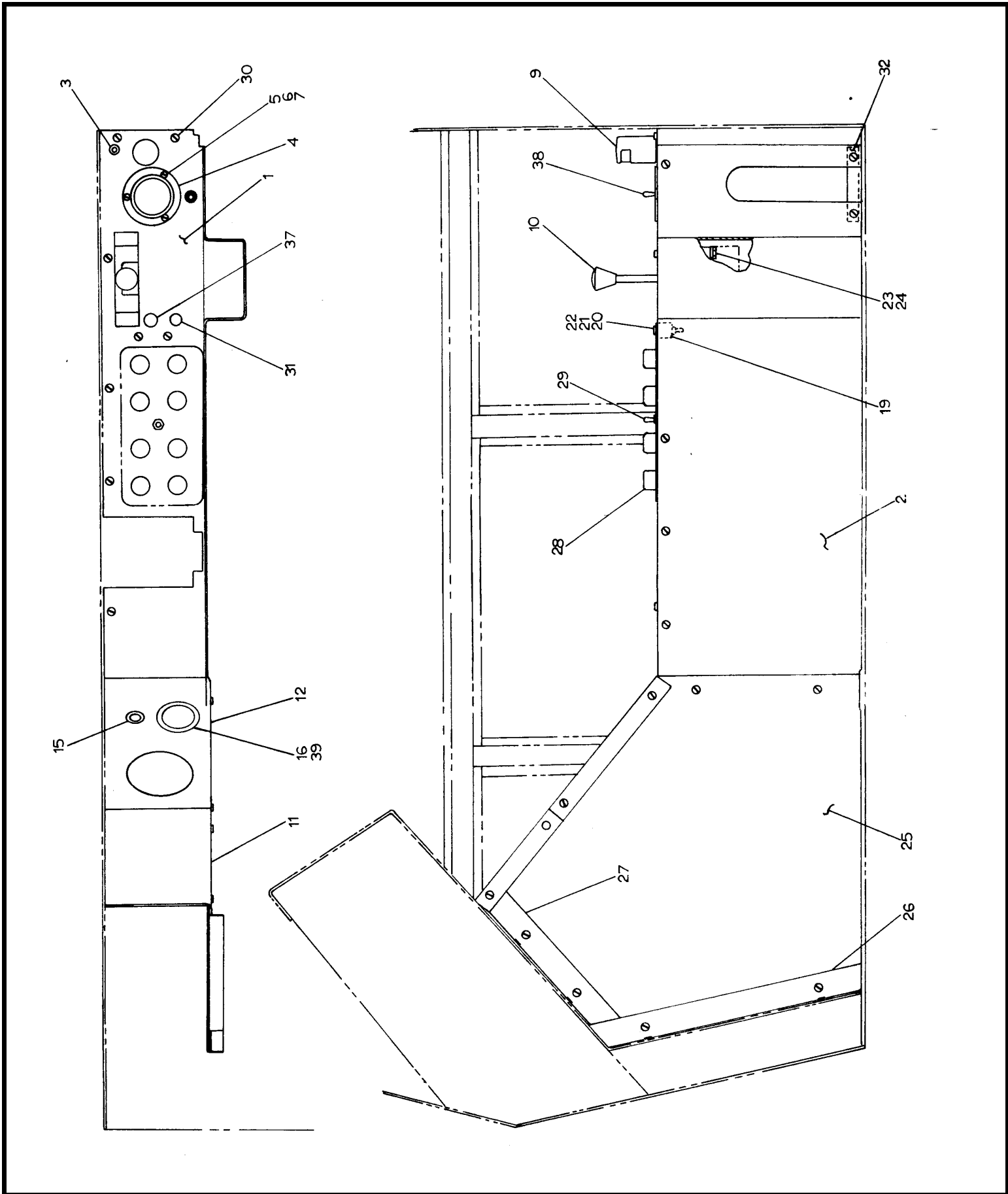
Assembly No.

**2160200022**

Revision:

Item	FN	Part	Qty	Description
1		2160200024	1	BRACKET, LINKAGE
2		4160200047	2	PAD, MTG.
3		7115160650	2	CAP SCREW, 3/8" - 16 N.C. X 3/4" GRADE 5
4		7950160050	2	WASHER, LOCK 3/8" I.D.
5		6593000116	1	LEVER
6		2162200010	1	LEVER, HAND
7		7690142045	1	PIN, ROLL 1/4" X 1 1/4"
8		6608000085	1	LUG
9		6705007911	2	SHIM, (.2500")
10		7834000012	1	SPRING
11		2104600177	1	ROD, CONNECTING
12		7690162000	2	PIN, 3/8 DIA. X 1 1/4" CLEVIS
13		7690051210	2	PIN, COTTER 1/8" X 3/4"
14		7308000001	1	YOKE
15		7660160030	1	NUT, 3/8" - 24 N.F. HEX
16		2162200014	1	PIN, LOCK
17		7440000000	1	FITTING, 1/8 STRAIGHT GREASE
21		7511000003	1	KNOB
22		2160200023	1	TURNTABLE LOCK PIN COVER WELD
23		7790100871	4	SCREW, SELF-TAPPING 3/16" - 24 N.C. X 1/2" GRADE 1

# Manitowoc Cranes



2160400063

(SHEET 1 OF 1)

# Manitowoc Cranes

Description

**CONTROL CONSOLE INSTALLATION - RIGHT HAND**

Assembly No.

**2160400063**

Revision:

Item	FN	Part	Qty	Description
1		4160400122	1	CONSOLE, TOP COVER - R.H.
2		2160400064	1	PLATE, PANEL CONSOLE SIDE WELDMENT - R.H.
3		7506000017	1	GROMMET .16" I.D.
4	#	7486000499	1	HOURMETER
7		7660060000	3	NUT, HEX #6 - 32 N.C. GRADE A
9	#	7581000117	1	LIGHT, DASH PANEL INCLUDES THE FOLLOWING PARTS
		9581100034	1	BULB
10	+	7926000198	1	VALVE ASSEMBLY
11	%	4160400068	1	COVER, CONSOLE
11	%	2160600163	1	SUPPORT BRKT WELD (FREE FALL W
12	%	4160400067	1	COVER, CONSOLE
12	%	4160400111	1	COVER, CONSOLE TO BE USED WHEN TACHOMETER IS NOT USED
15		7581000003	1	LIGHT, PILOT INCLUDES THE FOLLOWING PARTS
		7581000004	1	BULB
16		7486000338	1	GAUGE, PRESSURE - AIR
19	#	7872000003	1	BREAKER, 20 AMP CIRCUIT
20		7101100411	2	SCREW, MACHINE GRADE 1
21		7660100030	2	NUT
22		7950100050	2	WASHER, LOCK #10
23		7950160050	2	WASHER, LOCK 3/8" I.D.
24		7115160650	2	CAP SCREW, 3/8" - 16 N.C. X 3/4" GRADE 5
25		4160400062	1	COVER, CONSOLE SIDE
26		4160400063	1	ANGLE
27		4160400065	1	ANGLE
28	#	7872000066	8	SWITCH, PUSH BUTTON
29		7872000030	1	SWITCH, TOGGLE
30		7791141250	24	SCREW, SELF-DRILLING 1/4"

# SERVICED AS AN ASSEMBLY ONLY  
% SEE NOTE AT END OF LIST

+ SEE FURTHER BREAKDOWN THIS GROUP

# Manitowoc Cranes

Description

**CONTROL CONSOLE INSTALLATION - RIGHT HAND**

Assembly No.

**2160400063**

Revision:

Item	FN	Part	Qty	Description
31	%	7242000008	2	BUTTON, PLUG
32		6030000737	1	ANGLE
36		7660060000	2	NUT, HEX #6 - 32 N.C. GRADE A
37	%	7709000035	1	PLUG, DOT 11/16" DIAMETER NOT REQ'D WHEN FURNISHING REAR AXLE LOCKOUT OVERRIDE
38	#	7872000164	1	SWITCH, PUSH PULL
39		7576000085	1	KIT, 12 VOLT LIGHTING
		7581000052	1	INCLUDES THE FOLLOWING PARTS BULB

% SEE NOTE AT END OF LIST

# SERVICED AS AN ASSEMBLY ONLY

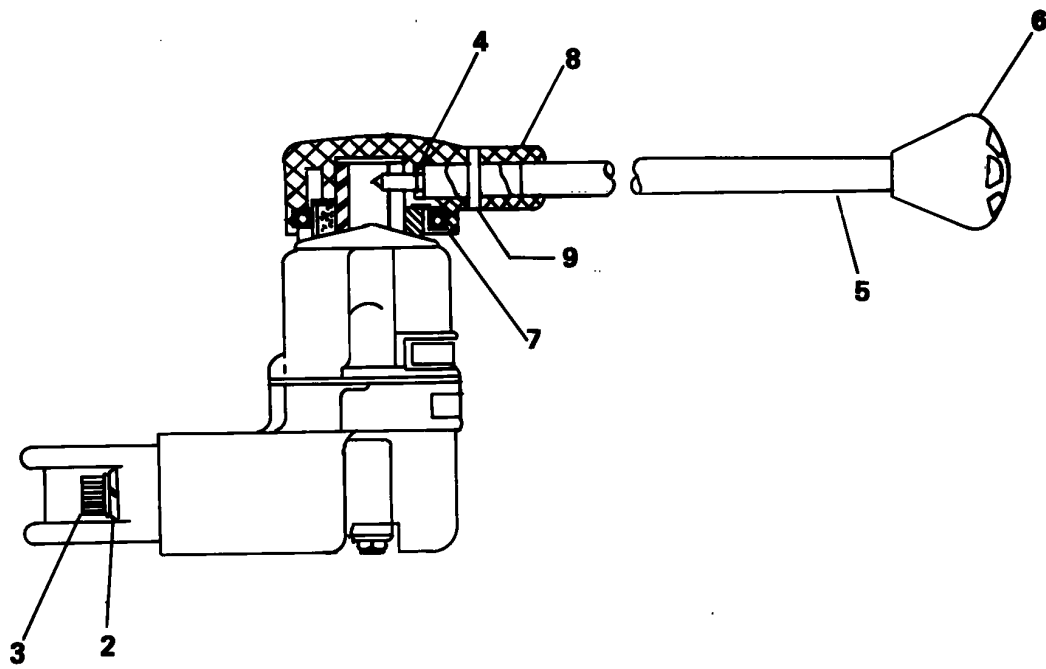
# Manitowoc Cranes

Description  
**VALVE ASSEMBLY**

Assembly No.  
**7926000198**  
Revision:

Item	FN	Part	Qty	Description
1		7926000198	1	VALVE ASSEMBLY
2		7926000198	1	VALVE ASSEMBLY

# Manitowoc Cranes



# Manitowoc Cranes

Description

**VALVE ASSEMBLY**

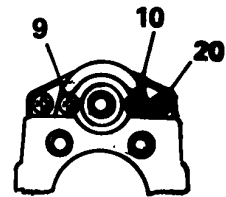
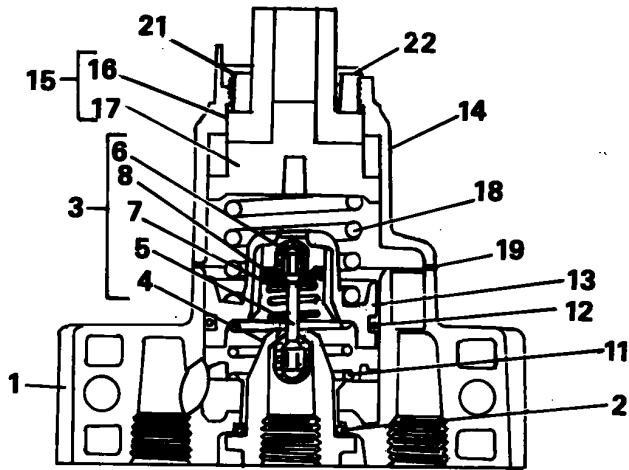
Assembly No.

**7926000198**

Revision:

Item	FN	Part	Qty	Description
2		9926101488	2	WASHER, LOCK
3		9926101489	2	SCREW,
4		9926101490	1	GROMMET
5		9926101491	1	VALVE, STEM
6		9926101492	1	KNOB
7		9372100331	1	GROMMET
8		9926101493	1	HEAD
9		9926101494	1	PIN

# Manitowoc Cranes





# Manitowoc Cranes

Description

**VALVE ASSEMBLY**

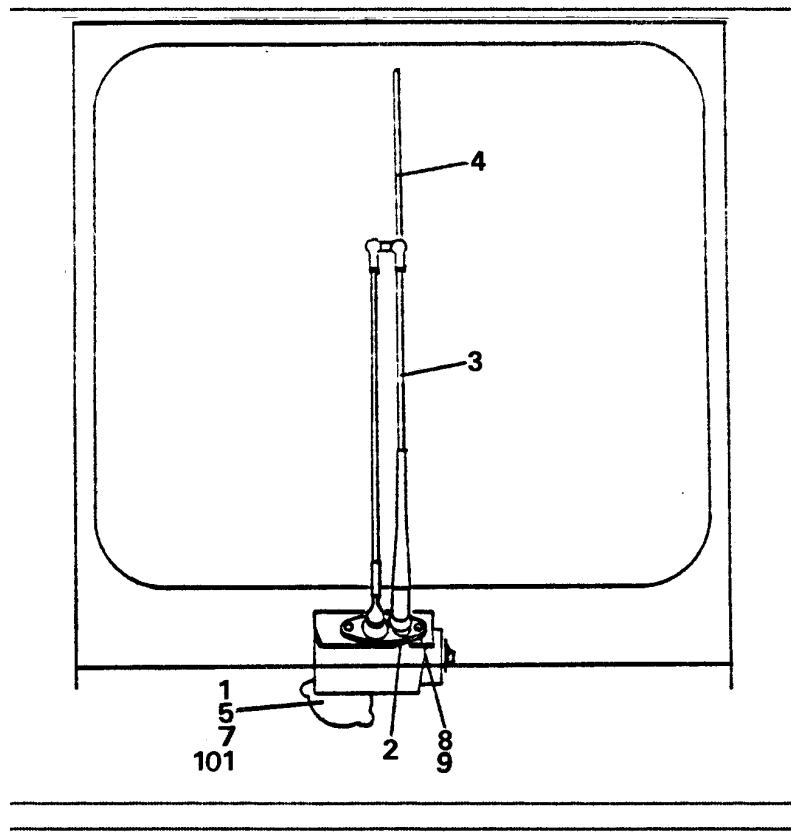
Assembly No.

**7926000198**

Revision:

Item	FN	Part	Qty	Description
1		9926101495	1	BODY
2		9926101496	1	O-RING
3		9926101497	1	VALVE
4		9926101498	1	VALVE SEAT
5		9926101499	1	VALVE STEM
6		9926101500	2	VALVE, INLET AND EXHAUST
7		9926101501	1	VALVE SPRING
8		9926101502	1	VALVE GUIDE
9		9926101503	2	SCREW,
10		9926101389	2	WASHER,
11		9926101504	1	SPRING
12		9926101505	1	O-RING, PISTON
13		9926101506	1	PISTON
14		9926101507	1	COVER
15		9926101508	1	CAM FOLLOWER
16		9926101509	1	FOLLOWER
17		9926101510	1	CAM
18		9926101511	1	SPRING
19		9926101512	1	GASKET
20		9926101513	2	SCREW,
21		9926101514	1	RING
22		9926101515	1	WASHER, LOCK

# Manitowoc Cranes



# Manitowoc Cranes

Description

**WIPER INSTALLATION - WINDSHIELD**

Assembly No.

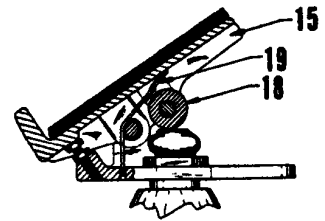
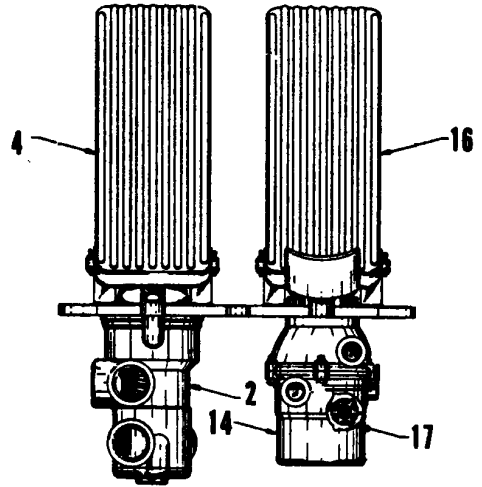
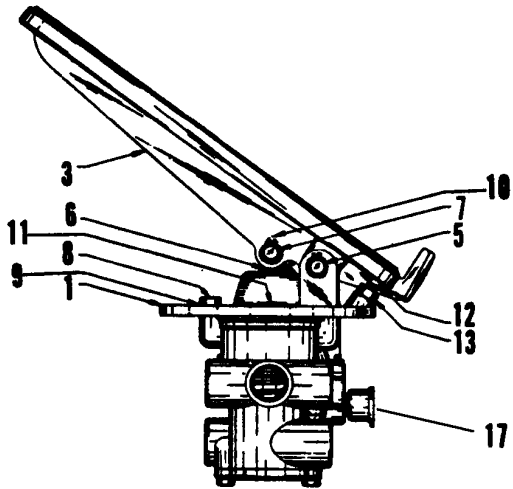
**2160400045**

Revision: **F**

Item	FN	Part	Qty	Description
1	#	7576000418	1	MOTOR, WIPER (12VOLT)
2	#	7576000017	1	KIT, ADAPTER
3	#	7033000041	1	ARM, WIPER - 20"
4		7083000003	1	BLADE
5		7810000866	1	KIT, PIVOT SHAFT
7		7033000081	1	ARM, CRANK
8		7105140650	2	CAP SCREW, 1/4" -28 N.F. X 3/4" GRADE 5
9		7950140050	2	WASHER, LOCK 1/4"
101		7978000850	1	HARNES, WIRING (WIPER)

# SERVICED AS AN ASSEMBLY ONLY

# Manitowoc Cranes



# Manitowoc Cranes

Description

**PEDAL ASSEMBLY**

Assembly No.

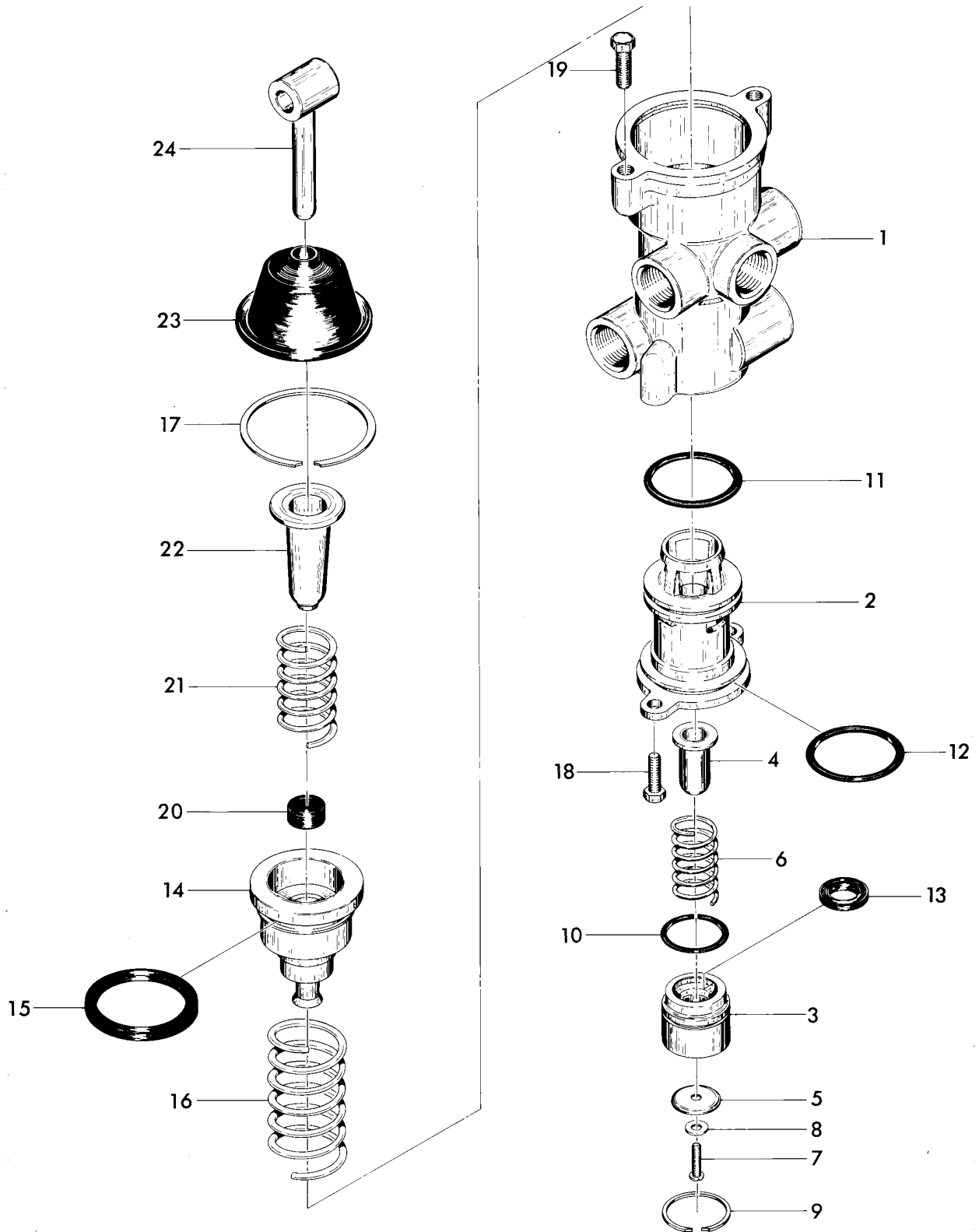
**7683000007**

Revision:

Item	FN	Part	Qty	Description
1		9926101143	1	PLATE
2	+	9926101144	1	VALVE, CONTROL
3		9926101145	1	TREADLE
4		9926101532	1	COVER, PEDAL
5		9926101147	2	PIN
6		9926101148	1	ROD, PUSH
7		9926101149	2	PIN
8		9926101150	2	CAP SCREW,
9		9926101151	2	WASHER, LOCK
10		9926101319	8	RING
11		9926101153	2	PLUG
12		9926101154	2	CAP SCREW,
13		9926101155	2	NUT
14	+	9926101156	1	VALVE ASSEMBLY - CONTROL
15		9926101157	1	PEDAL
16		9926101532	1	COVER, PEDAL
17		9926101315	1	BREATHER
18		9926101160	1	ROLLER
19		9926101161	1	SPRING
20		9926100859	1	KIT, REPAIR KIT, REPAIR - ONE KIT INCLUDES DIFFERENT SIZE BOOTS, RETAINER RINGS, AND SOME O-RINGS ONE KIT SHOULD SERVICE BOTH ITEMS 2 AND 14 FOR THE BOOT AND THE OUTSIDE RETAINER RINGS FOR THE REPAIR KIT FOR THE INSIDE SEALS OF ITEM 14 SEE PARTS BREAKDOWN FOR THAT ITEM

+ SEE FURTHER BREAKDOWN THIS GROUP

# Manitowoc Cranes



9-926-101144

# Manitowoc Cranes

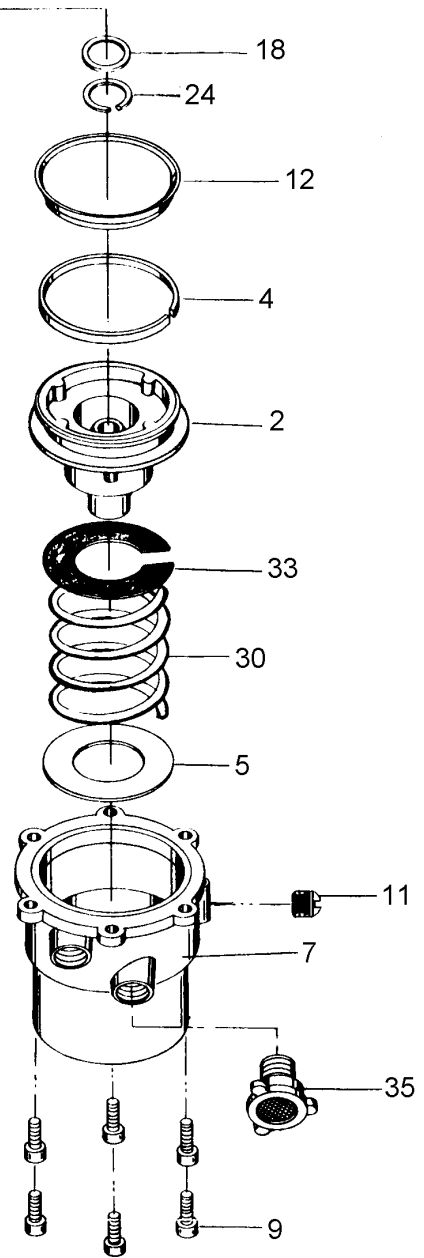
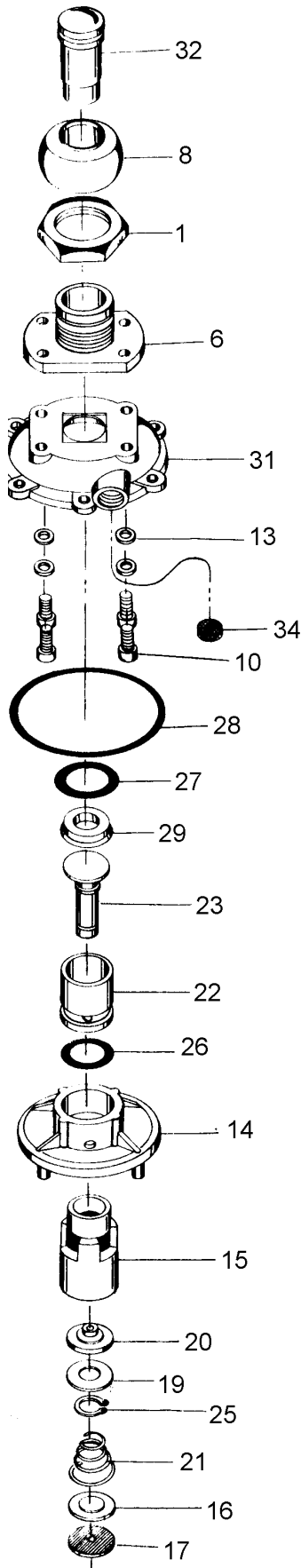
Description  
**VALVE, CONTROL**

Assembly No.  
**9926101144**  
 Revision:

Item	FN	Part	Qty	Description
1		9926102195	1	BODY, VALVE
2		9926102196	1	BODY, CARTRIDGE
3	*	9926102197	1	TUBE, CAP & GUIDE
4	*	9926102198	1	SEAT, TUBE
5	*	9926102199	1	DISV, EXHAUST CHECK
6	*	9926102200	1	SPRING, COMPRESSION
7	*	9926102201	1	SCREW,
8		9926102202	1	WASHER,
9	*	9926102203	1	RING, RETAINING
10	*	7755212000	1	O-RING
11	*	7755220000	1	O-RING
12	*	7755221000	1	O-RING
13	*	9926102204	1	U-CUP SEAL
14		NSS	1	NOT SERVICED SEPARATELY PISTON
15	*	9926101213	1	U-CUP
16		9926102206	1	SPRING, COMPRESSION
17		9926102207	1	RING, RETAINING
18		7101180550	2	BOLT, HEX 1/2" -20 N.F. X 5/8"
19		7111150850	2	CAP SCREW, HEX HEAD 5/16" - 18 N.C. X 1"
20	*	9926102158	1	STOP, SPRING-CUP
21		9926102157	1	SPRING, BALANCE
22		9926102156	1	SPRING, CUP
23	*	9926102155	1	BOOT, DUST
24		9926101148	1	ROD, PUSH
30	*	9926100859	1	KIT, REPAIR

\* REPAIR KIT AND/OR PART OF KIT

# Manitowoc Cranes





# Manitowoc Cranes

Description

**VALVE ASSEMBLY - CONTROL**

Assembly No.

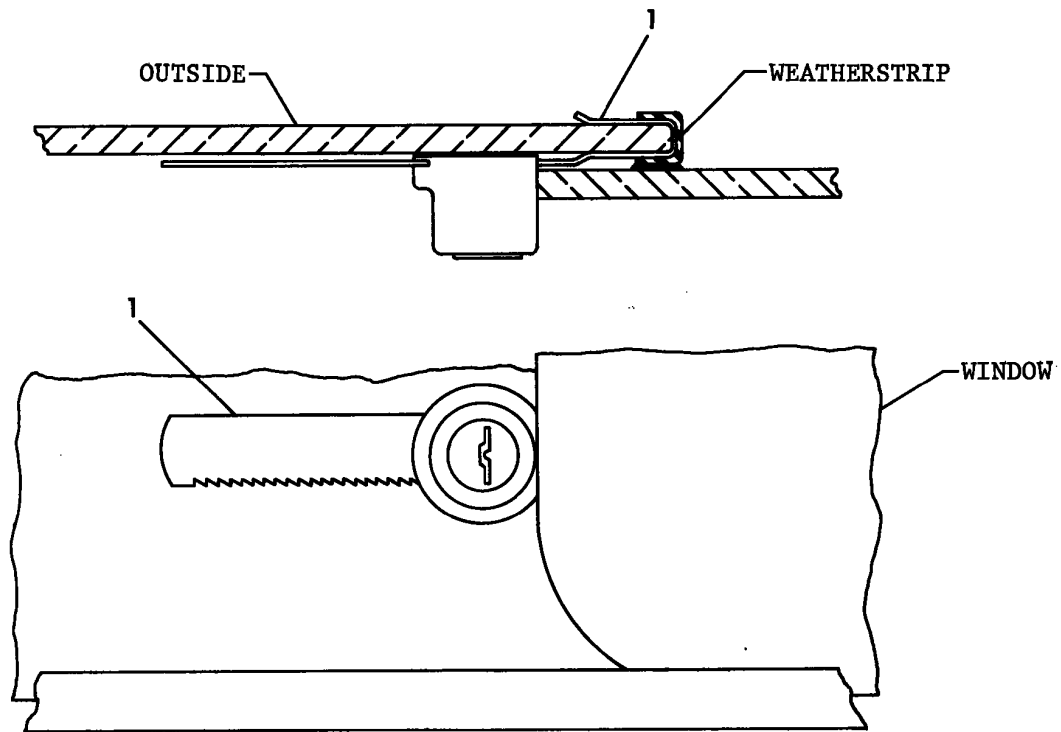
**9926101156**

Revision:

Item	FN	Part	Qty	Description
1		9926101204	1	NUT
2		9926101205	1	PISTON, BALANCE
4	*	9926101206	1	RING, THRUST
5		9926101207	1	SHIM,
6		9926101208	1	ROD, GUIDE
8	*	9926101210	1	BOOT, DUST
9		9926101211	6	SCREW, MACHINE
10		9926101211	4	SCREW, MACHINE
11		9926101212	1	PLUG
12	*	9926101213	1	U-CUP
13	*	9926101214	4	WASHER, SEAL
14	*	9926101215	1	BARRIER, PLATE
15	*	9926101215	1	BARRIER, PLATE
16	*	9926101217	1	SUPPORT, POPPET PLATE
17	*	9926101218	1	POPPET, EXHAUST
18		9926101219	1	DISC, RING
19		9926101220	1	DISC, SUPPORT
20	*	9926101221	1	POPPET, INLET
21	*	9926101222	1	SPRING
22		9926101223	1	SLEEVE
23		9926101224	1	PISTON
24	*	9926101225	1	RING, RETAINING
25	*	9926101226	1	RING, RETAINING
26	*	9926101227	1	O-RING
27	*	7755210000	1	CLAMP, O-RING
28	*	7755228000	1	O-RING
29	*	9926101230	1	U-CUP
30		9926101236	1	SPRING, BALANCE
31		9926101237	1	BODY, INLET
32		9926101238	1	ROD, PUSH
34		9926101481	1	SCREEN
35	*	9926101676	1	REPAIR KIT

\* REPAIR KIT AND/OR PART OF KIT

# Manitowoc Cranes



# Manitowoc Cranes

Description

**LOCK INSTALLATION - WINDOW (NOT AVAILABLE AS ASSEMBLY)**

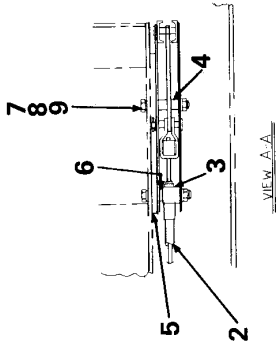
Assembly No.

**6585000063**

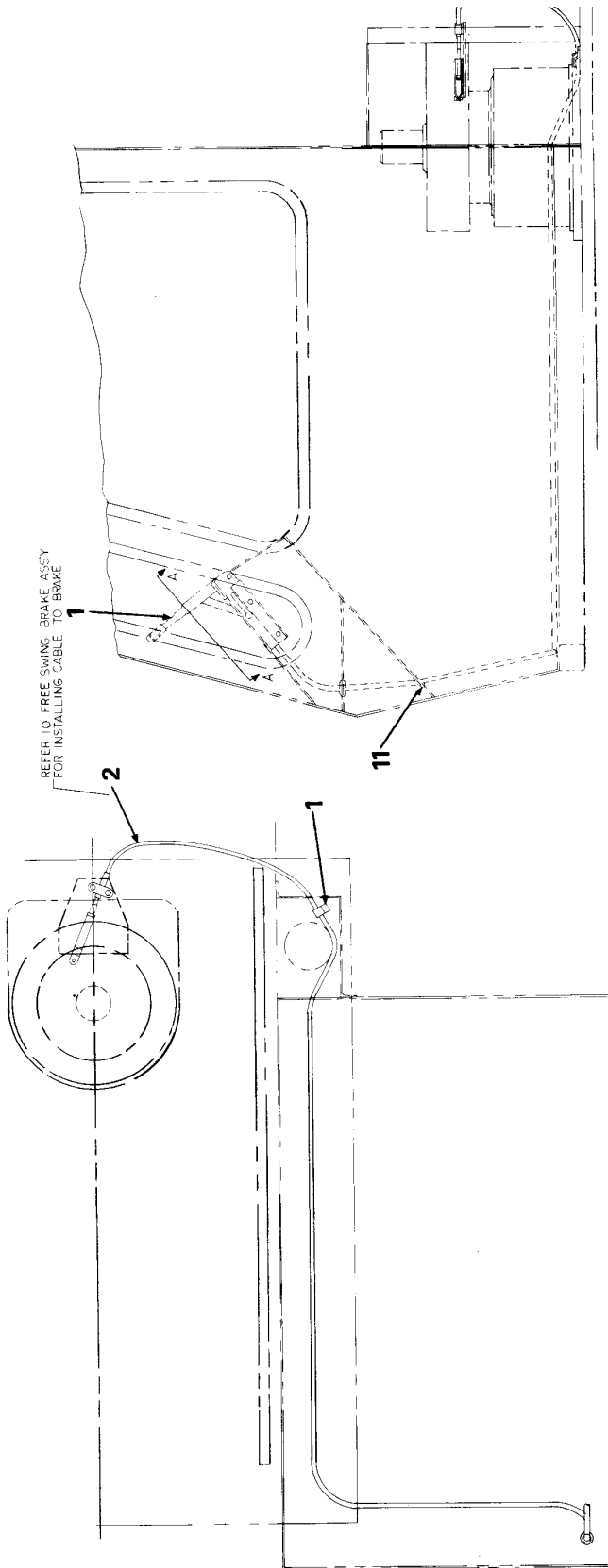
Revision: #

Item	FN	Part	Qty	Description
1		7585000019	1	LOCK, SLIDING GLASS

# Manitowoc Cranes



VIEW A-A



# Manitowoc Cranes

Description

**BRAKE INSTAL - FREE SWING HAND**

Assembly No.

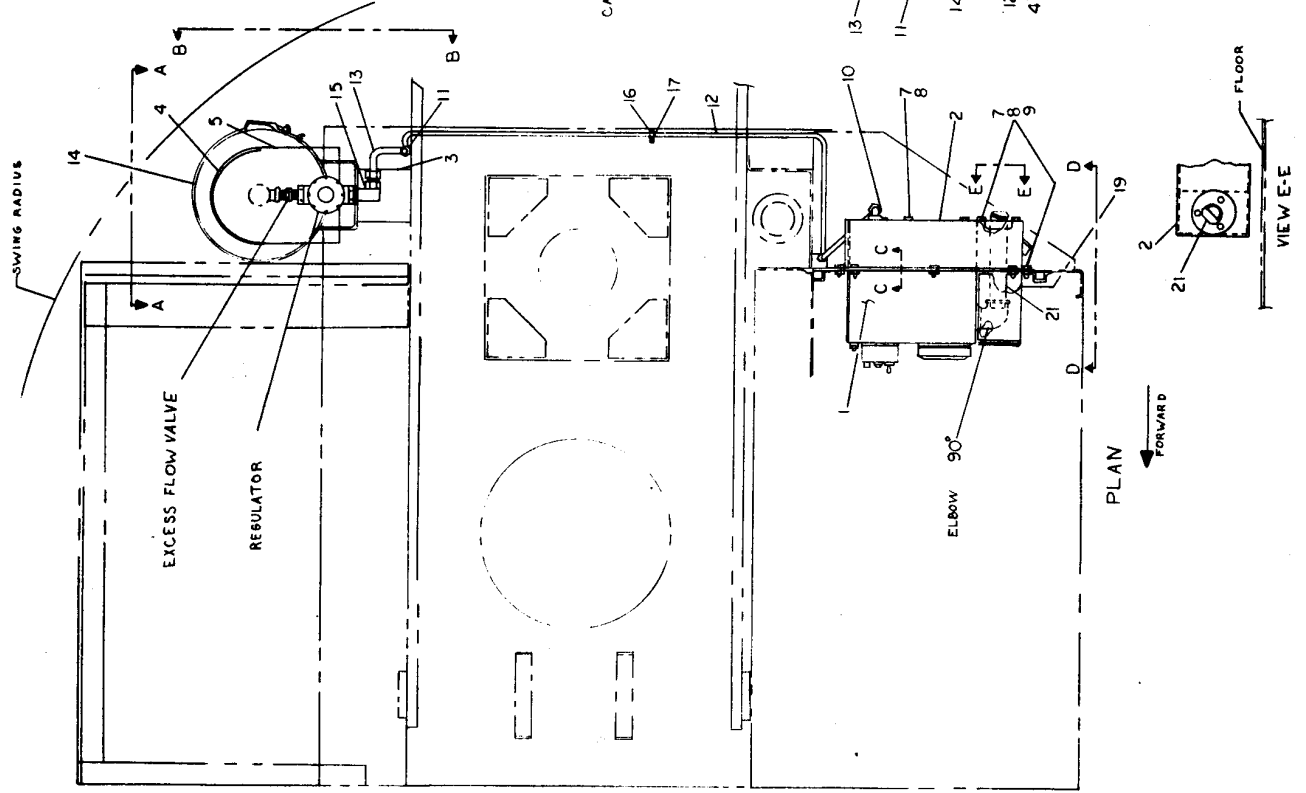
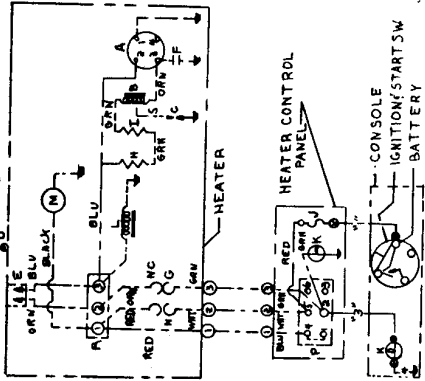
**2160600191**

Revision: **A**

Item	FN	Part	Qty	Description
1		7593000018	1	LEVER, BRAKE
2		2160600192	1	BRAKE CABLE ASSEMBLY
3		7300000100	1	CLAMP, TUBING 3/8" I.D.
4		7910000116	1	SPACER
5		7910000117	1	SPACER
6		4160600071	1	SPACER
7		7111151850	2	OBSOLETED BY 7112151850
8		7660150000	2	NUT, HEX 5/16" - 18 N.C.
9		7950150050	2	WASHER, LOCK 5/16" I.D.
10		4158100043	1	CLAMP
11		7506000005	2	GROMMET .62" I.D.

# Manitowoc Cranes

ITEM	WIRING	TERMINALS
A	VIBRATOR	N
B	COLOR	1
C	SPARK COIL	2
D	IGNITER SCREW	3
E	IGNITER SCREW	4
F	IGNITER SCREW	5
G	IGNITER SCREW	6
H	IGNITER SCREW	7
I	IGNITER SCREW	8
J	IGNITER SCREW	9
K	IGNITER SCREW	10
L	IGNITER SCREW	11
M	IGNITER SCREW	12
N	IGNITER SCREW	13
O	IGNITER SCREW	14
P	IGNITER SCREW	15
Q	IGNITER SCREW	16
R	IGNITER SCREW	17
S	IGNITER SCREW	18
T	IGNITER SCREW	19
U	IGNITER SCREW	20
V	IGNITER SCREW	21
W	IGNITER SCREW	22
X	IGNITER SCREW	23
Y	IGNITER SCREW	24
Z	IGNITER SCREW	25
AA	IGNITER SCREW	26
AB	IGNITER SCREW	27
AC	IGNITER SCREW	28
AD	IGNITER SCREW	29
AE	IGNITER SCREW	30
AF	IGNITER SCREW	31
AG	IGNITER SCREW	32
AH	IGNITER SCREW	33
AI	IGNITER SCREW	34
AJ	IGNITER SCREW	35
AK	IGNITER SCREW	36
AL	IGNITER SCREW	37
AM	IGNITER SCREW	38
AN	IGNITER SCREW	39
AO	IGNITER SCREW	40
AP	IGNITER SCREW	41
AQ	IGNITER SCREW	42
AR	IGNITER SCREW	43
AS	IGNITER SCREW	44
AT	IGNITER SCREW	45
AU	IGNITER SCREW	46
AV	IGNITER SCREW	47
AW	IGNITER SCREW	48
AX	IGNITER SCREW	49
AY	IGNITER SCREW	50
AZ	IGNITER SCREW	51
BA	IGNITER SCREW	52
BB	IGNITER SCREW	53
BC	IGNITER SCREW	54
BD	IGNITER SCREW	55
BE	IGNITER SCREW	56
BF	IGNITER SCREW	57
BG	IGNITER SCREW	58
BH	IGNITER SCREW	59
BI	IGNITER SCREW	60
BJ	IGNITER SCREW	61
BK	IGNITER SCREW	62
BL	IGNITER SCREW	63
BM	IGNITER SCREW	64
BN	IGNITER SCREW	65
BO	IGNITER SCREW	66
BP	IGNITER SCREW	67
BQ	IGNITER SCREW	68
BR	IGNITER SCREW	69
BS	IGNITER SCREW	70
BT	IGNITER SCREW	71
BU	IGNITER SCREW	72
BV	IGNITER SCREW	73
BW	IGNITER SCREW	74
BX	IGNITER SCREW	75
BY	IGNITER SCREW	76
BZ	IGNITER SCREW	77
CA	IGNITER SCREW	78
CB	IGNITER SCREW	79
CC	IGNITER SCREW	80
CD	IGNITER SCREW	81
CE	IGNITER SCREW	82
CF	IGNITER SCREW	83
CG	IGNITER SCREW	84
CH	IGNITER SCREW	85
CI	IGNITER SCREW	86
CJ	IGNITER SCREW	87
CK	IGNITER SCREW	88
CL	IGNITER SCREW	89
CM	IGNITER SCREW	90
CN	IGNITER SCREW	91
CO	IGNITER SCREW	92
CP	IGNITER SCREW	93
CQ	IGNITER SCREW	94
CR	IGNITER SCREW	95
CS	IGNITER SCREW	96
CT	IGNITER SCREW	97
CU	IGNITER SCREW	98
CV	IGNITER SCREW	99
CU	IGNITER SCREW	100



# Manitowoc Cranes

Description

**HEATER INSTALL. PROPANE**

Assembly No.

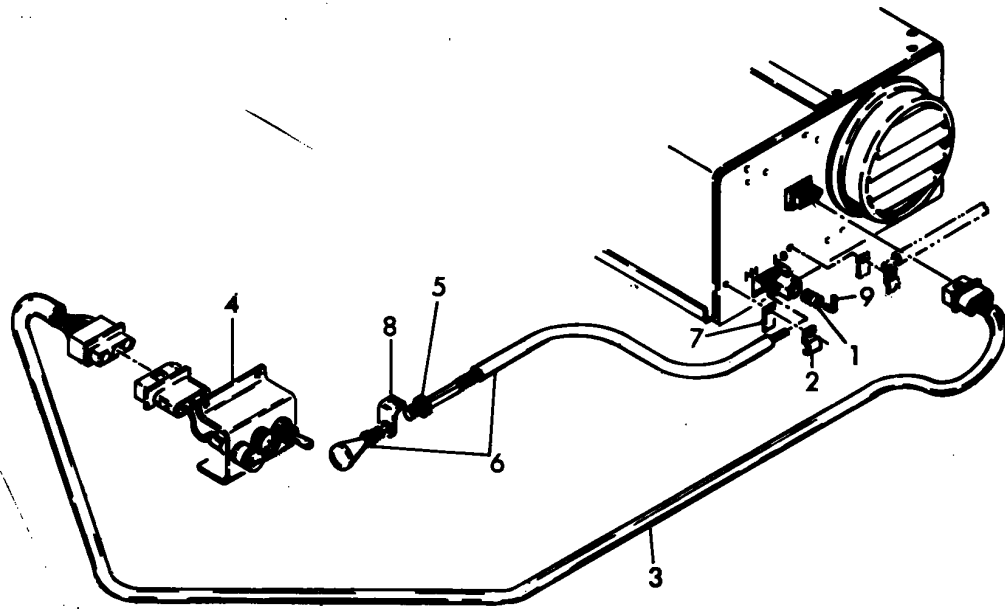
**2161400001**

Revision:

Item	FN	Part	Qty	Description
1	+	7515000014	1	HEATER ASSEMBLY - PROPANE
2		6176000204	1	BOX, HEATER MOUNTING
3		6290000202	1	CHANNEL
4		4137400087	1	STRAP, RETAINER
5		4161400001	1	PLATE, SUPPORT
6		7790140653	3	SCREW, SELF-TAPPING 1/4" - 20 N.C. X 3/8"
7		7115140650	14	CAP SCREW, 1/4" - 20 N.C. X 3/4" GRADE 5
8		7950140050	14	WASHER, LOCK 1/4"
9		7660140000	10	NUT, HEX 1/4" - 20 N.C.
10		7364000435	1	FITTING, BRASS TUBE
11		7364000324	1	CONNECTOR, FEMALE
12		6911067201	1	TUBE
13		7545101120	1	HOSE ASSY, USE AS REQUIRED 1 1/4" I.D. X 11"
14		6850000090	1	STRAP, TANK
15		7445060404	1	ADAPTER, SWIVEL
16		7300000019	4	CLAMP
17		7790100653	4	SCREW, SELF-TAPPING
18		7794000164	4	GASKET, LIQUID 10 OZ TUBE
19		6814000097	1	SHIELD
20		7950140141	8	WASHER, FLAT 1/4" PLAIN NARROW
21		6649000038	1	NIPPLE

+ SEE FURTHER BREAKDOWN THIS GROUP

# Manitowoc Cranes





# Manitowoc Cranes

Description

**HEATER ASSEMBLY - PROPANE**

Assembly No.

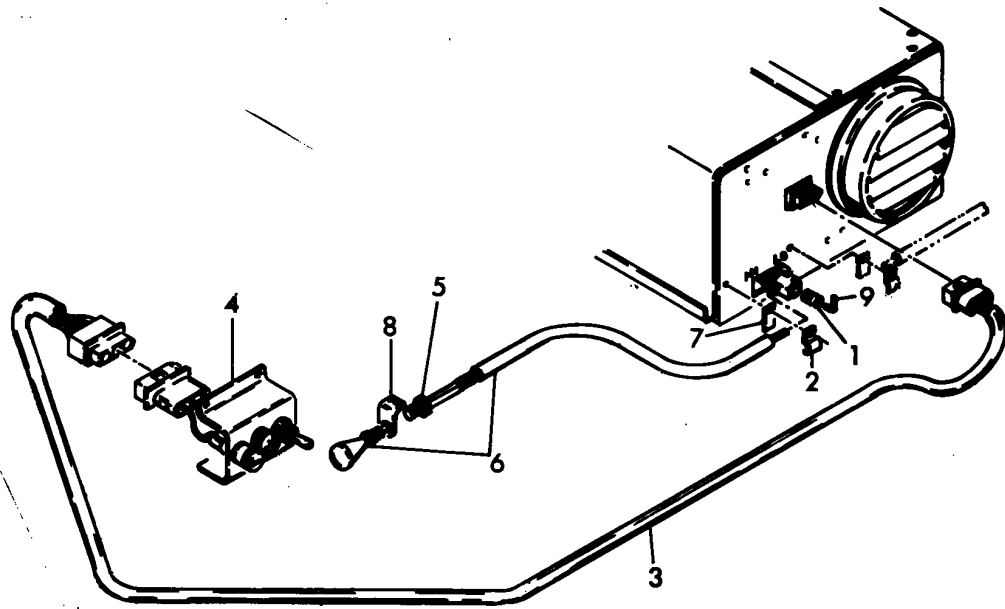
**7515000014**

Revision:

Item	FN	Part	Qty	Description
1	+	7515000014	1	HEATER ASSEMBLY - PROPANE
2	+	7515000014	1	HEATER ASSEMBLY - PROPANE
3	+	7515000014	1	HEATER ASSEMBLY - PROPANE
4	+	7515000014	1	HEATER ASSEMBLY - PROPANE
5	+	7515000014	1	HEATER ASSEMBLY - PROPANE
6	+	7515000014	1	HEATER ASSEMBLY - PROPANE

+ SEE FURTHER BREAKDOWN THIS GROUP

# Manitowoc Cranes



# Manitowoc Cranes

Description

**HEATER ASSEMBLY - PROPANE**

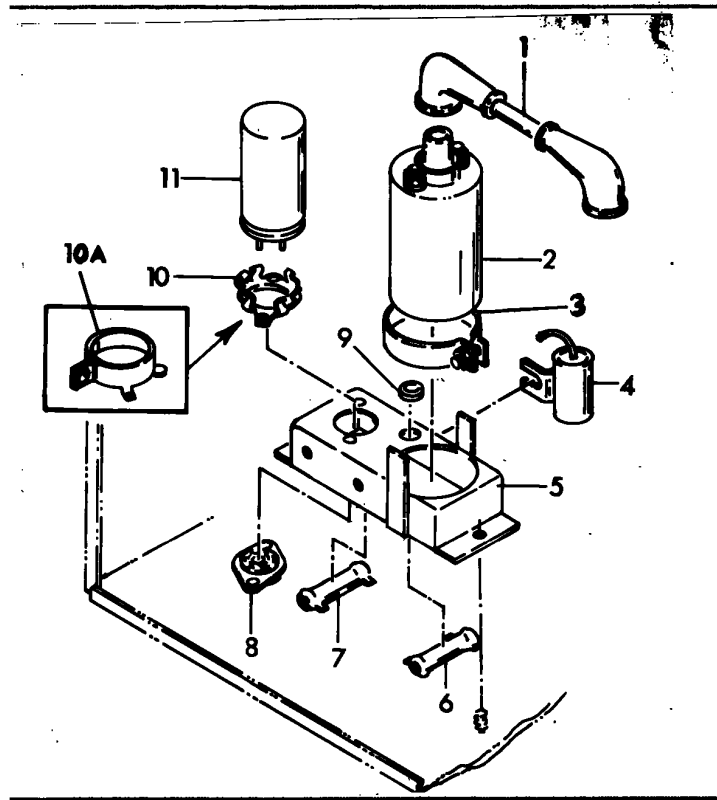
Assembly No.

**7515000014**

Revision:

Item	FN	Part	Qty	Description
1		9515100169	1	SET SCREW
2		9515100170	1	CLIP
3		9515100171	1	HARNESS
4		1000000000	0	MAJOR "SPECIAL" LEGEND
5		9515100172	1	LOCKNUT
6		9515100173	1	CONTROL
7		9515100174	1	SPACER
8		9515100175	1	BRACKET
9		9515100176	1	KEY

# Manitowoc Cranes



# Manitowoc Cranes

Description

**HEATER ASSEMBLY - PROPANE**

Assembly No.

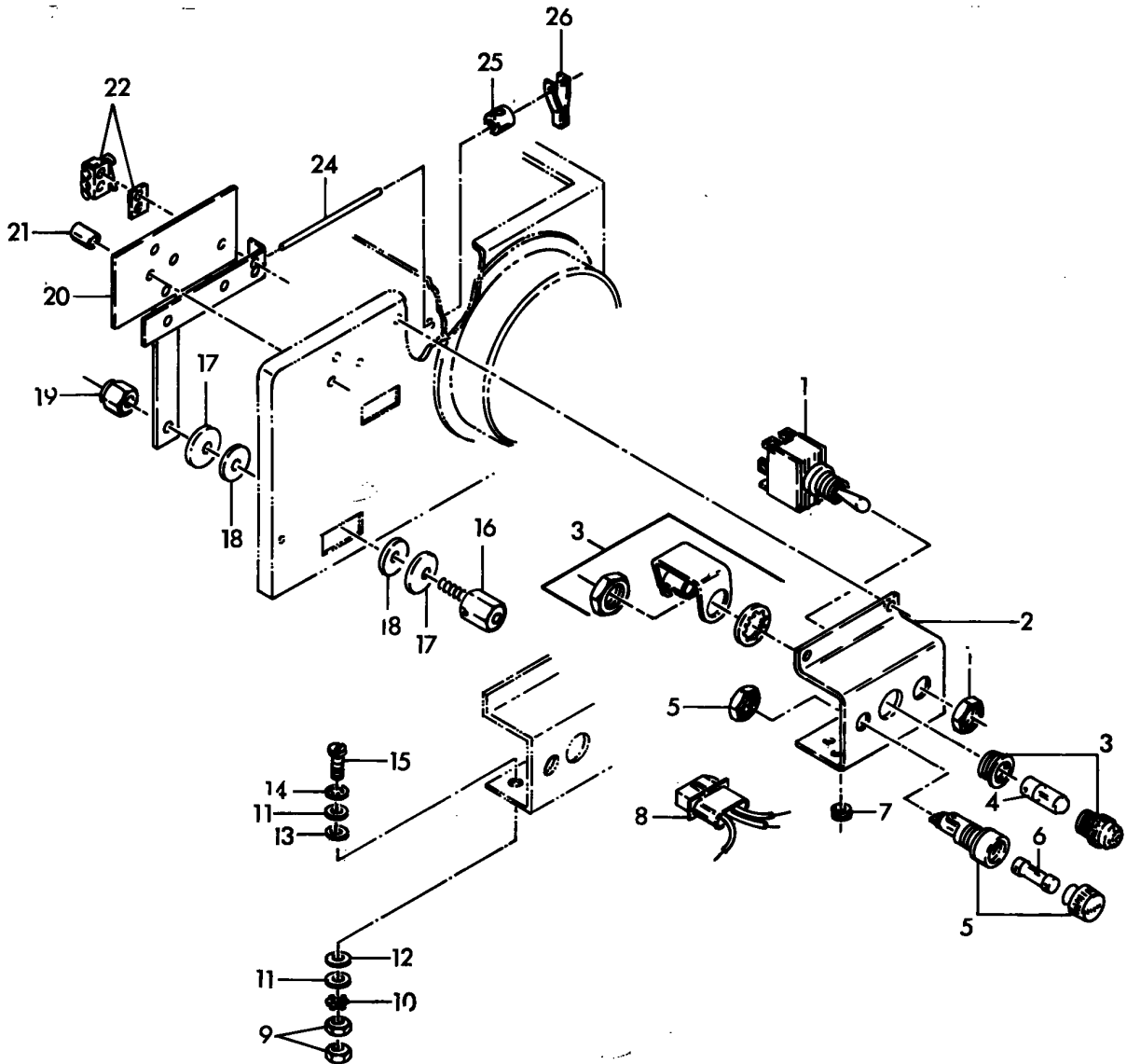
**7515000014**

Revision:

Item	FN	Part	Qty	Description
1		9515100200	1	WIRE
2		9515100235	1	COIL
3		9515100236	1	CLAMP
4		9515100237	1	CONDENSER
5		9515100238	1	IGNITION PACK
6	%	9515100239	1	RESISTOR, 12 VOLTS
7	%	9515100240	1	RESISTOR, 12 VOLTS
8		9515100241	1	SOCKET,
9		9515100180	1	GROMMET
10		9515100243	1	CLAMP VIBRATOR
11		9515100244	1	VIBRATOR AND CONDENSER KIT

% SEE NOTE AT END OF LIST

# Manitowoc Cranes



# Manitowoc Cranes

Description

**HEATER ASSEMBLY - PROPANE**

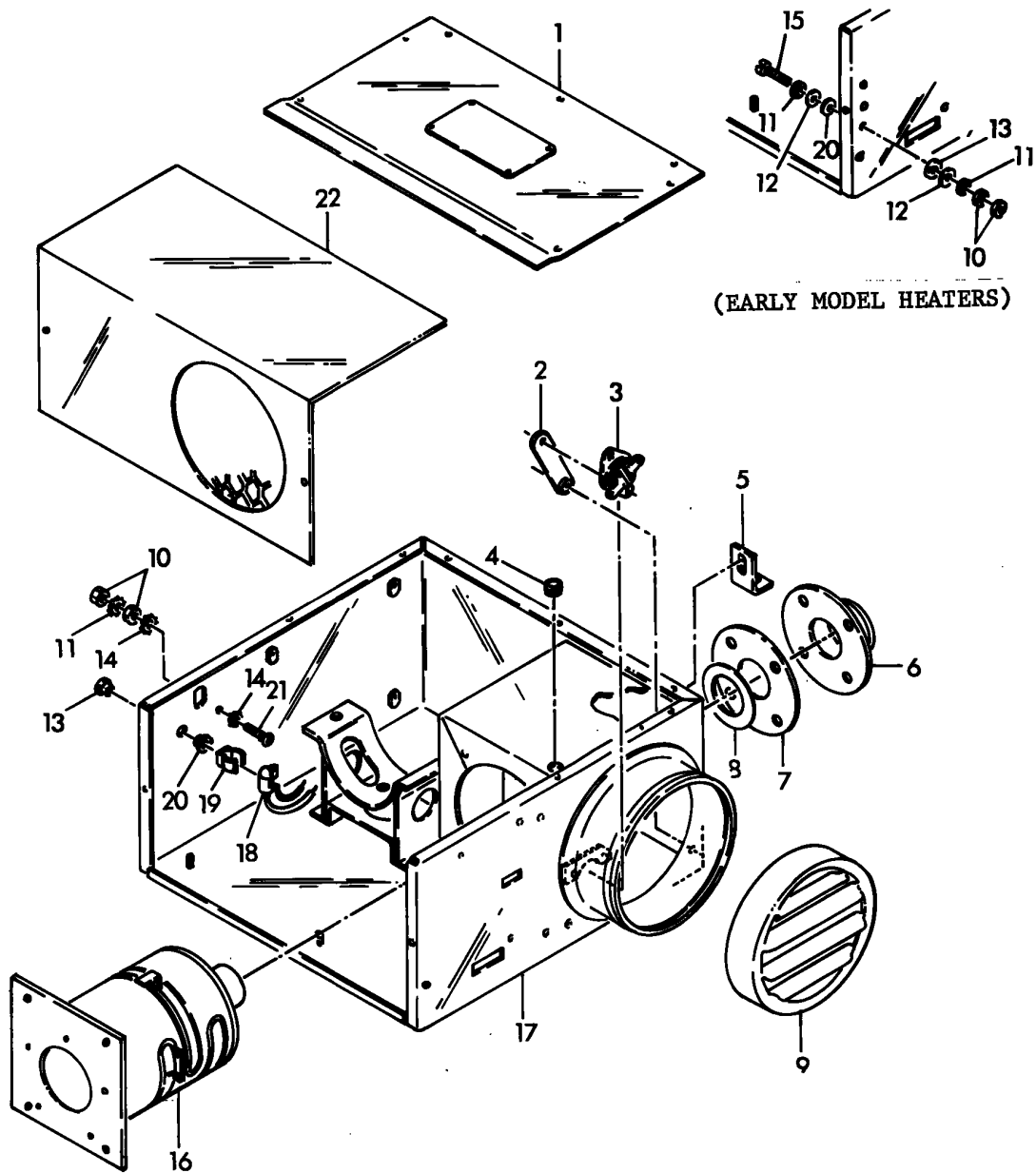
Assembly No.

**7515000014**

Revision:

Item	FN	Part	Qty	Description
1		9515100247	1	SWITCH, 24 VOLT
2		9515100248	1	BOX
3		9515100249	1	PILOT LIGHT
4		9515100250	1	LAMP
5		9515100251	1	HOLDER, FUSE
6		9515100252	1	FUSE, 10 AMP
7		9515100180	1	GROMMET
8		9515100382	1	KIT,CONNECTOR
9		9515100186	6	NUT
10		9515100190	3	WASHER,
11		9515100188	6	WASHER,
12		9515100196	3	WASHER SHOULDERED
13		9515100189	3	WASHER,
14		9515100187	3	WASHER,
15		9515100253	3	SCREW,
16		9515100254	1	CONTROL
17		9515100255	2	WASHER,
18		9515100256	2	WASHER,
19		9515100257	1	NUT
20		9515100258	1	CONTROL,TEMPERATURE
21		9515100259	1	SPACER
22		9515100283	1	MICROSWITCH
24		9515100262	1	ROD
25		9515100263	1	STOP
26		9515100264	1	BLADE

# Manitowoc Cranes





# Manitowoc Cranes

Description

**HEATER ASSEMBLY - PROPANE**

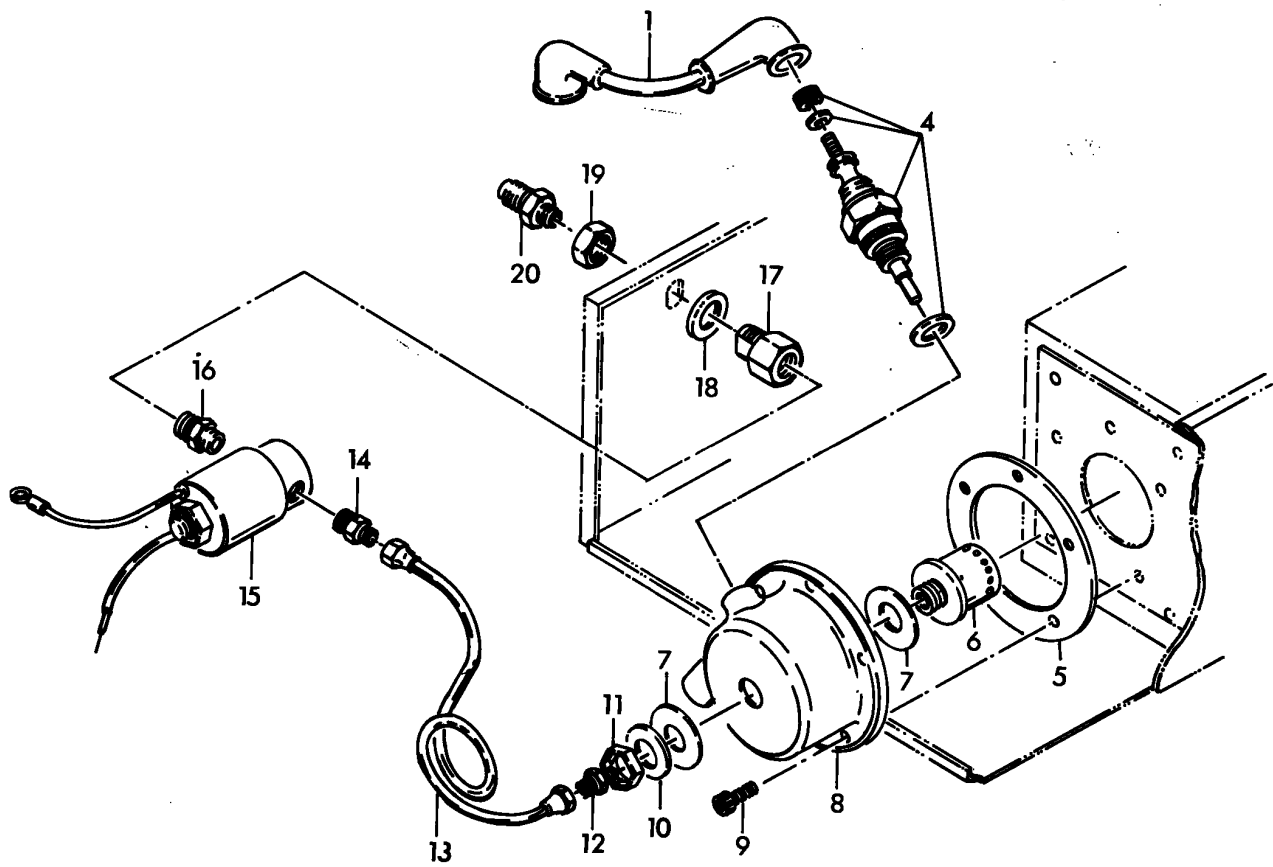
Assembly No.

**7515000014**

Revision:

Item	FN	Part	Qty	Description
1		9515100177	1	COVER, TOP
2		9515100178	1	BRACKET
3		9515100364	1	SWITCH, 24 VOLT
4		9515100180	1	GROMMET
5		9515100181	1	BRACKET, MOUNTING
6		9515100182	1	CONNECTOR
7		9515100183	1	GASKET
8		9515100184	1	WASHER,
9		9515100185	1	DEFLECTOR,AIR
10		9515100186	4	NUT
11		9515100187	3	WASHER,
12		9515100188	2	WASHER,
13		9515100189	2	WASHER,
14		9515100190	2	WASHER,
15		9515100191	1	SCREW, MACHINE
16		9515100192	1	EXCHANGER,HEAT
17		9515100193	1	CASE
18		9515100194	1	SWITCH, 24 VOLT
19		9515100195	1	CLIP
20		9515100196	2	WASHER SHOULDERED
21		9515100197	1	SCREW, MACHINE
22		9515100198	1	FRONT & TOP COVER

# Manitowoc Cranes



# Manitowoc Cranes

Description

**HEATER ASSEMBLY - PROPANE**

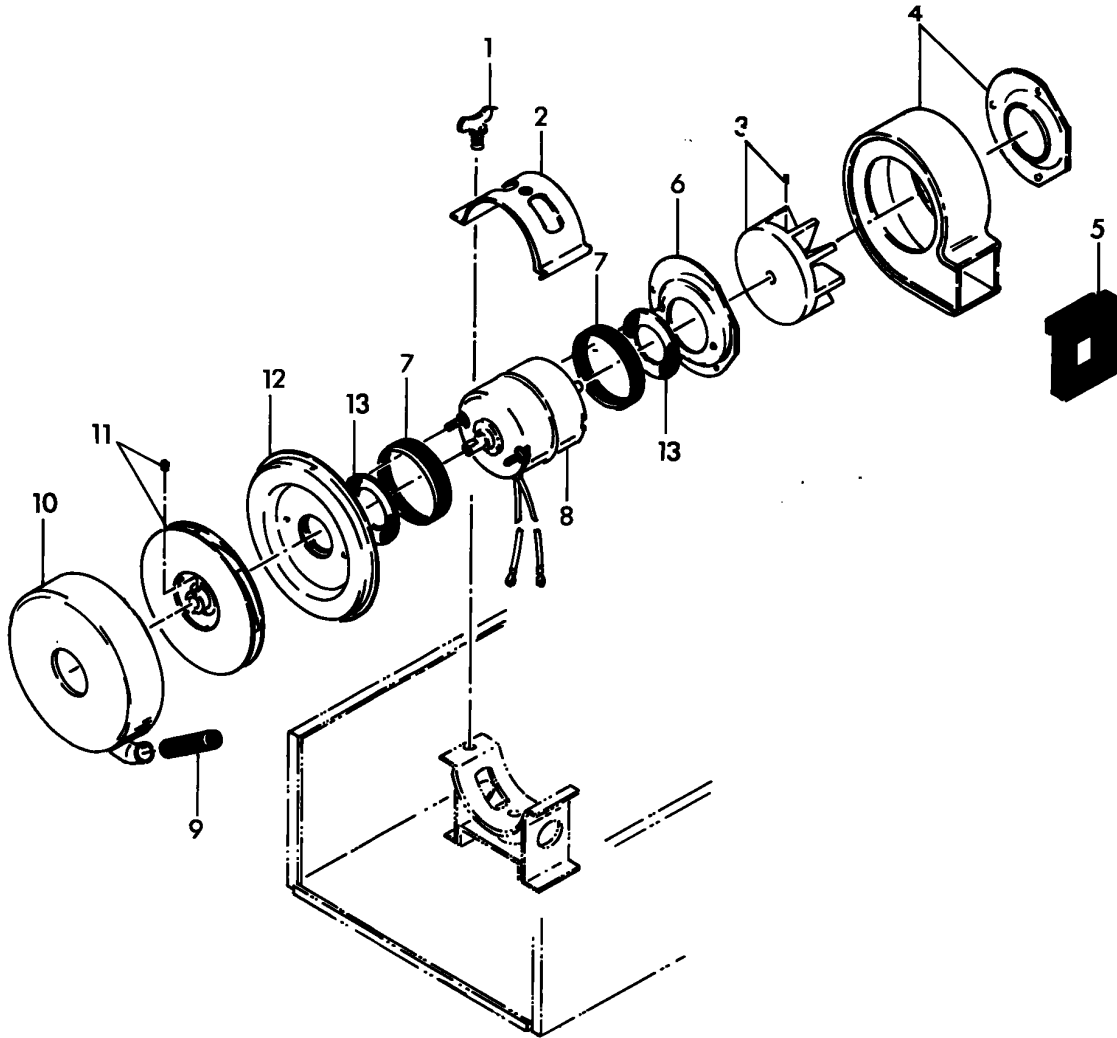
Assembly No.

**7515000014**

Revision:

Item	FN	Part	Qty	Description
1		9515100200	1	WIRE
4		9515100203	1	IGNITER
5		9515100204	1	GASKET
6		9515100205	1	TUBE
7		9515100383	2	GASKET
8		9515100206	1	HEAD BURNER
9		9515100208	5	SCREW, 3/16" - 24 N.C. X 3/8"
10		9515100209	1	WASHER,
11		9515100210	1	NUT
12		9515100384	1	RESTRICTOR
13		9515100215	1	FUEL LINE
14		9515100385	2	KIT, FUEL LINE
15		9515100214	1	VALVE
16		9515100387	1	CONNECTOR
17		9515100217	1	CONNECTOR
18		9515100345	1	WASHER,
19		9515100216	1	LOCKNUT
20		9515100388	1	CONNECTOR

# Manitowoc Cranes



# Manitowoc Cranes

Description

**HEATER ASSEMBLY - PROPANE**

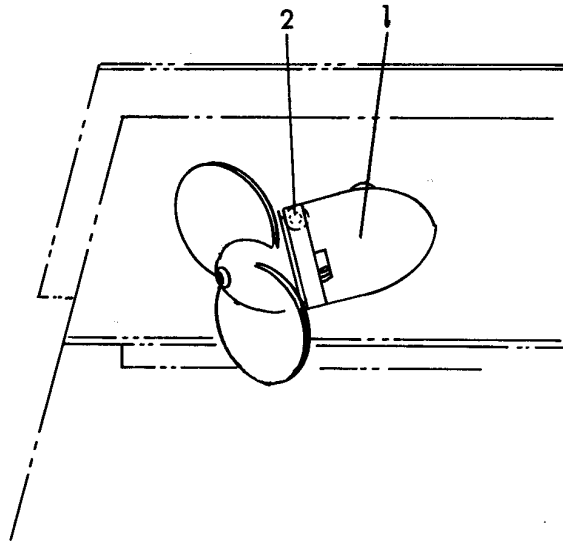
Assembly No.

**7515000014**

Revision:

Item	FN	Part	Qty	Description
1		9515100219	1	THUMBSCREW
2		9515100220	1	CLAMP
3		9515100221	1	FAN
4		9515100222	1	HOUSING
5		9515100223	1	GASKET
6		9515100224	1	PLATE
7		9515100225	2	BAND,RUBBER
8		9515100226	1	MOTOR,12V
9		9515100227	1	HOSE ASSY, USE AS REQUIRED
10		9515100228	1	HOUSING
11		9515100229	1	WHEEL
12		9515100230	1	PLATE
13		9515100231	2	GASKET

# Manitowoc Cranes



# Manitowoc Cranes

Description

**WINDSHIELD DEFROSTER INSTL**

Assembly No.

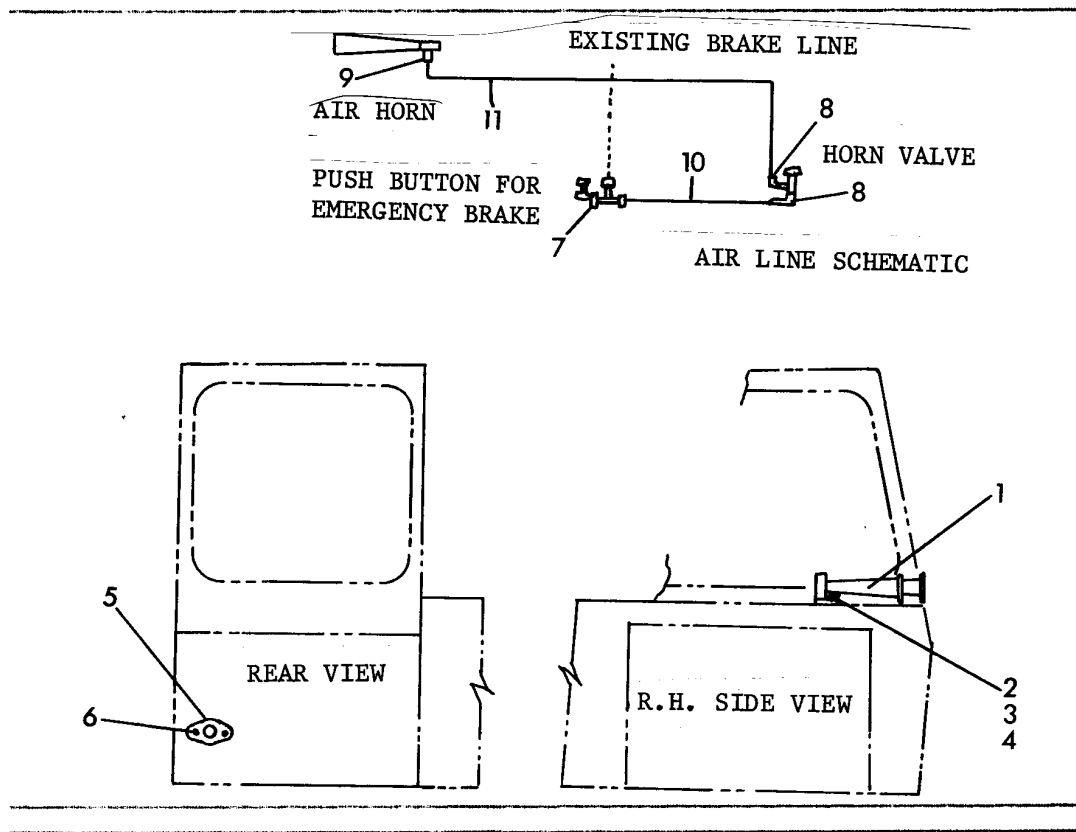
**638000007**

Revision:

Item	FN	Part	Qty	Description
1	#	7425000001	1	FAN, RUBBER BLADED AUTO
2		7506000009	1	GROMMET

# SERVICED AS AN ASSEMBLY ONLY

# Manitowoc Cranes





# Manitowoc Cranes

Description

**AIR HORN INSTALLATION**

Assembly No.

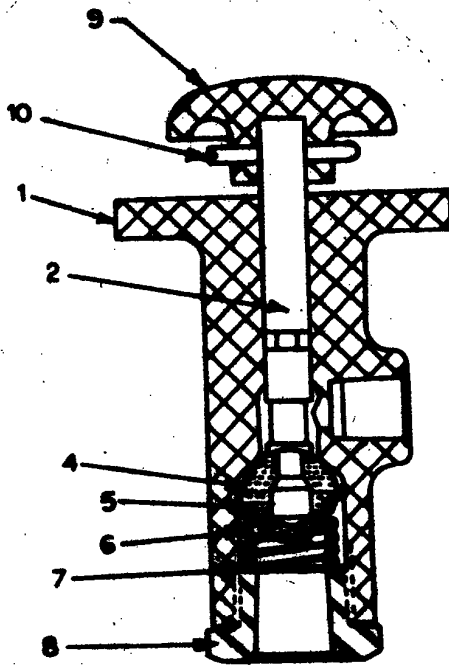
**2160400035**

Revision: **B**

Item	FN	Part	Qty	Description
1	#	7025000010	1	HORN, AIR
2		7115140850	1	CAP SCREW, 1/4" - 20 N.C. X 1" GRADE 5
3		7950140050	1	WASHER, LOCK 1/4"
4		7660140000	1	NUT, HEX 1/4" - 20 N.C.
5	#	7926000208	1	VALVE ASSEMBLY - HORN
6		7790140853	2	SCREW, SELF-TAPPING 1/4" - 20 N.C. X 1/2"
7		7445020212	1	TEE
8		7445020204	2	ADAPTER, 90 DEGREE SWIVEL
9		7445020201	1	ADAPTER, STRAIGHT
10		6542001801	1	HOSE ASSY, USE AS REQUIRED
11		6542008401	1	HOSE ASSY, USE AS REQUIRED

# SERVICED AS AN ASSEMBLY ONLY

# Manitowoc Cranes



# Manitowoc Cranes

Description

**VALVE ASSEMBLY - HORN**

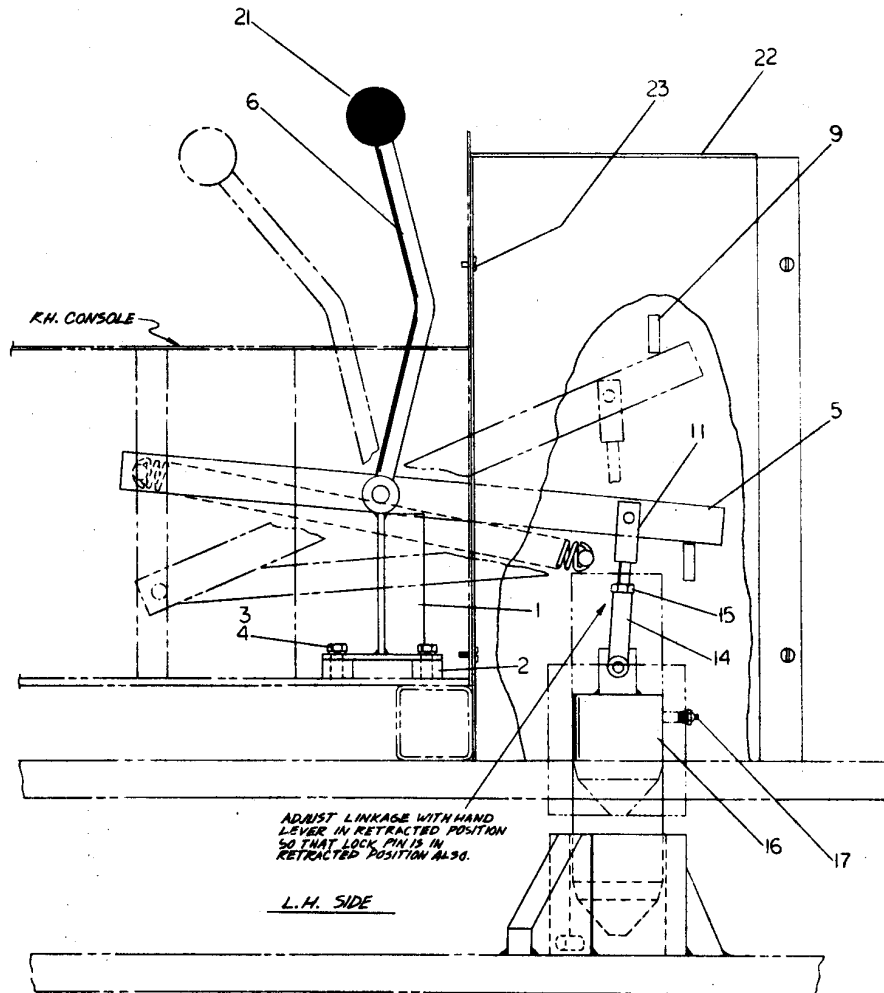
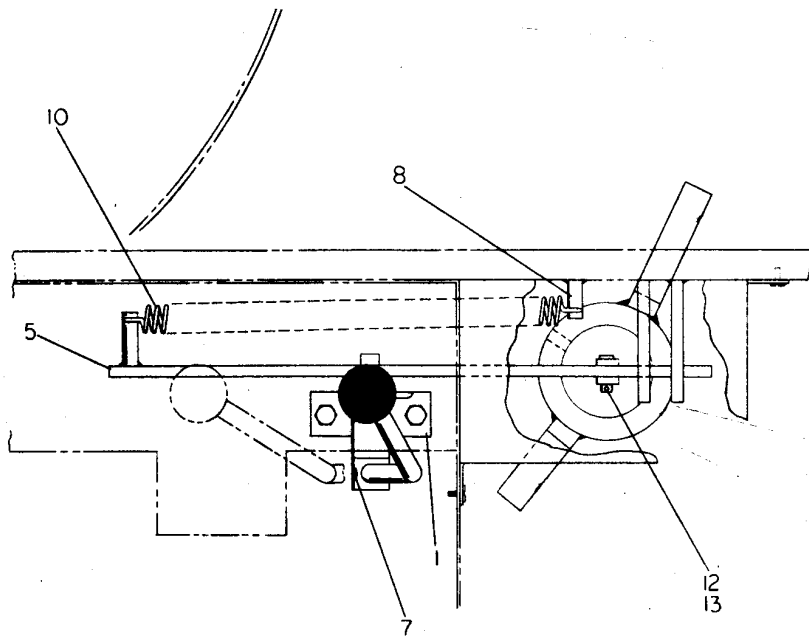
Assembly No.

**7926000208**

Revision:

Item	FN	Part	Qty	Description
1		9926101451	1	BODY
2		9926101452	1	STEM
4		9926101453	1	VALVE, INLET
5		9926101454	1	SEAT, SPRING
6		9926101455	1	SPRING
7		9926101456	1	PLATE, STRAINER
8		9926101457	1	CAP
9		9926101458	1	BUTTON
10		9926101459	1	PIN, COTTER

# Manitowoc Cranes



# Manitowoc Cranes

Description

**PIN INSTALLATION - TURNTABLE LOCK INSTALLATION  
(NOT AVAILABLE AS ASSEMBLY)**

Assembly No.

**2160200022**

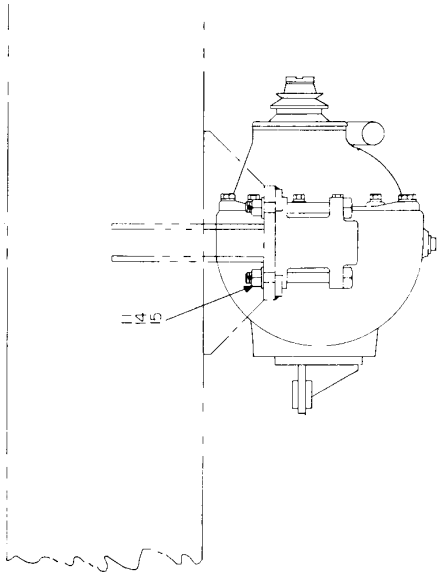
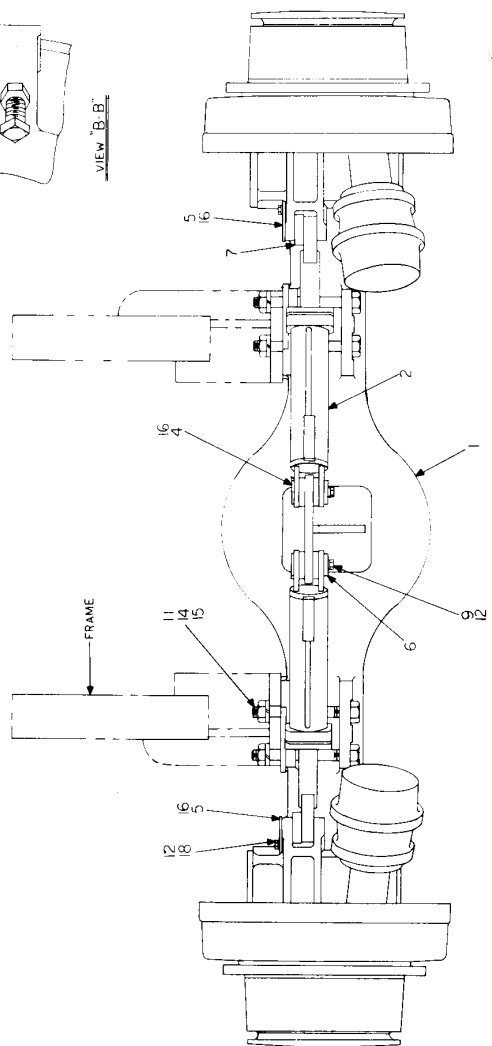
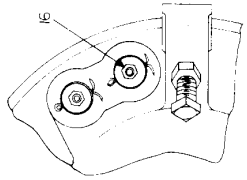
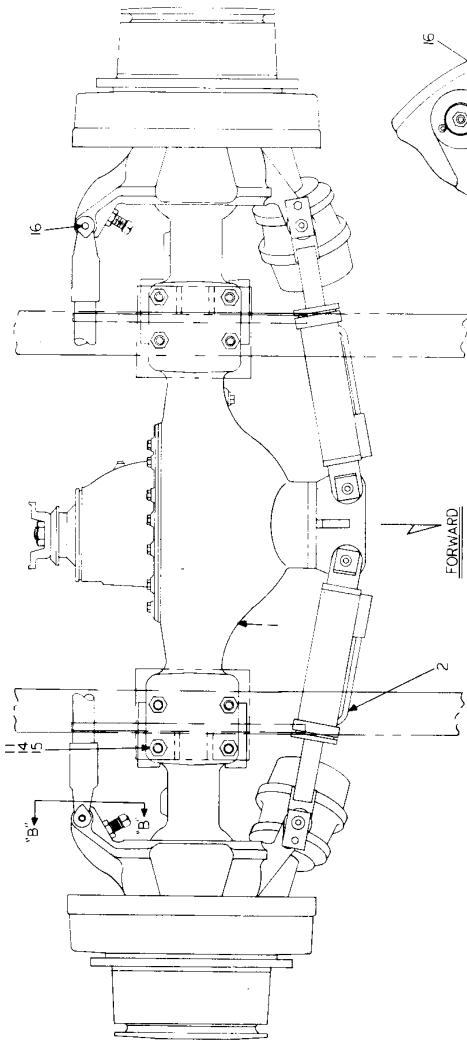
Revision:

Item	FN	Part	Qty	Description
1		2160200024	1	BRACKET, LINKAGE
2		4160200047	2	PAD, MTG.
3		7115160650	2	CAP SCREW, 3/8" - 16 N.C. X 3/4" GRADE 5
4		7950160050	2	WASHER, LOCK 3/8" I.D.
5		6593000116	1	LEVER
6		2162200010	1	LEVER, HAND
7		7690142045	1	PIN, ROLL 1/4" X 1 1/4"
8		6608000085	1	LUG
9		6705007911	2	SHIM, (.2500")
10		7834000012	1	SPRING
11		2104600177	1	ROD, CONNECTING
12		7690162000	2	PIN, 3/8 DIA. X 1 1/4" CLEVIS
13		7690051210	2	PIN, COTTER 1/8" X 3/4"
14		7308000001	1	YOKE
15		7660160030	1	NUT, 3/8" - 24 N.F. HEX
16		2162200014	1	PIN, LOCK
17		7440000000	1	FITTING, 1/8 STRAIGHT GREASE
21		7511000003	1	KNOB
22		2160200023	1	TURNTABLE LOCK PIN COVER WELD
23		7790100871	4	SCREW, SELF-TAPPING 3/16" - 24 N.C. X 1/2" GRADE 1

# Manitowoc Cranes

**WHEEL ALIGNMENT PROCEDURE**

1. CRACK OPEN THE FRONT WHEELS AS FAR AS THEY WILL GO. MAKE SURE THEY ARE TO BE STRAIGHT.
2. TURN WHEEL TO CENTER LEFT. CHECK CLEARANCE BETWEEN INSIDE OF TIRE AND SIDE OF FRAME. CLEARANCE SHOULD BE AT LEAST 1/4 INCH.
3. CHECK STEER CYLINDERS TO SEE THAT CYLINDERS ARE NOT BUTTERED.
4. CHECK WHEELS FOR AIR AND ADJUST PRESSURE TO 100 PSI.
5. TURN WHEEL TO CENTER RIGHT AND REPEAT STEP #2.



2-160-5-00004

# Manitowoc Cranes

Description

**FRONT AXLE INSTALLATION**

Assembly No.

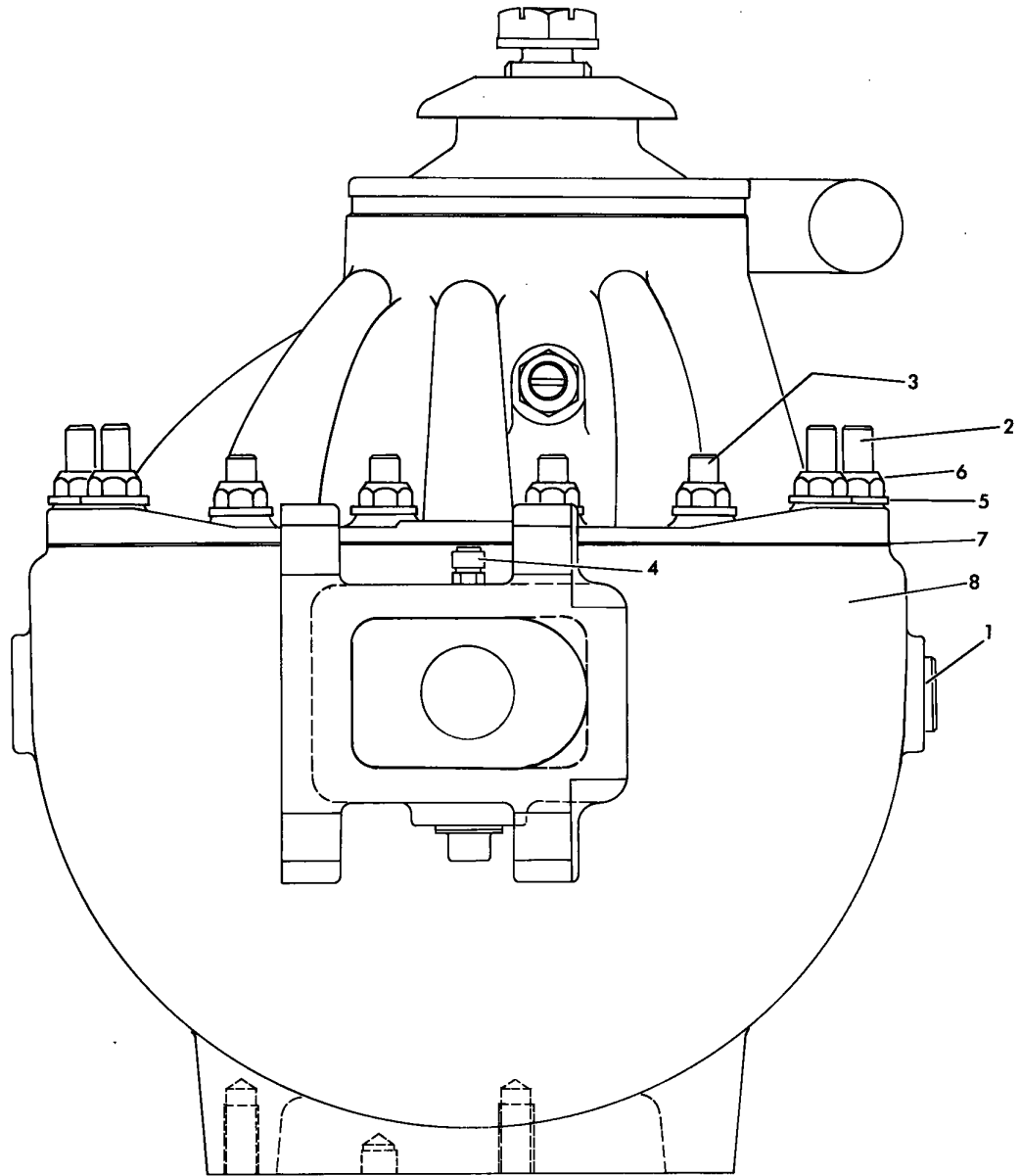
**2160500004**

Revision:

Item	FN	Part	Qty	Description
1	+	7049000108	1	AXLE ASSEMBLY - DRIVE STEER
2	+	6372000485	2	CYLINDER ASSEMBLY - 3" STEER (COMPLETE ASSEMBLY)
4		6810000576	2	SHAFT
5		6810001090	2	SHAFT
6		6258000124	2	CAP, END
7		6910001092	2	SPACER
9		7115181050	2	CAP SCREW, 1/2" - 13 N.C. X 1 1/4" GRADE 5
11		7115267250	8	CAP SCREW, 1" - 8 N.C. X 9" GRADE 5
12		7950180050	4	WASHER, LOCK 1/2" I.D.
14		7950260050	8	LOCK WASHER, 1" I.D.
15		7660260018	8	NUT, HEX 1" - 8 N.C.
16		7440000000	10	FITTING, 1/8 STRAIGHT GREASE
18		7105180850	2	CAP SCREW, 1/2" - 20 N.F. X 1" GRADE 5

+ SEE FURTHER BREAKDOWN THIS GROUP

# Manitowoc Cranes





# Manitowoc Cranes

Description

**AXLE ASSEMBLY - DRIVE STEER**

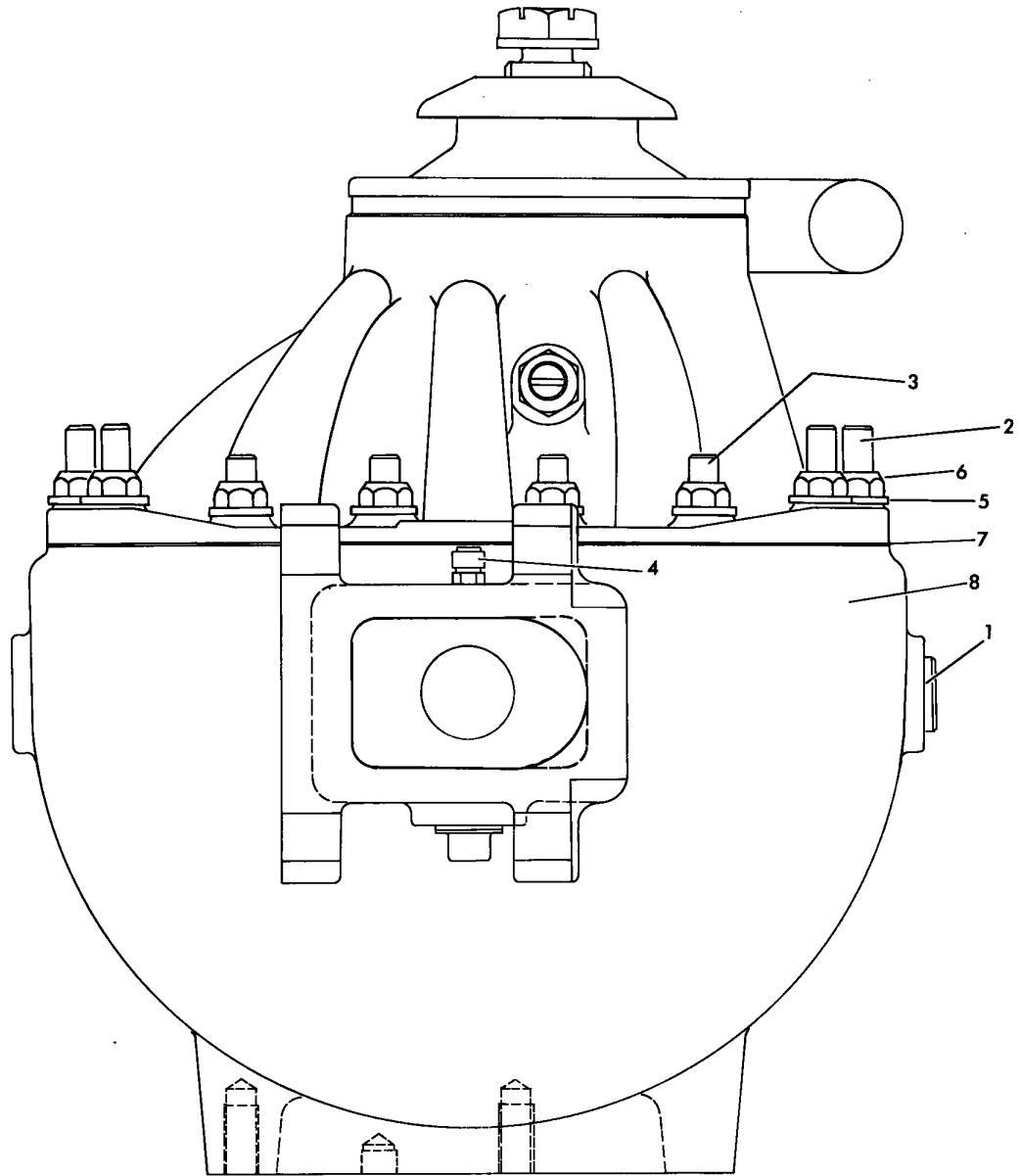
Assembly No.

**7049000108**

Revision:

Item	FN	Part	Qty	Description
1		7049000108	1	AXLE ASSEMBLY - DRIVE STEER HOUSING GROUP
2		7049000108	1	AXLE ASSEMBLY - DRIVE STEER DIFFERENTIAL CARRIER ASSEMBLY
3		7049000108	1	AXLE ASSEMBLY - DRIVE STEER HUB AND SHAFT GROUP
4		7049000108	1	AXLE ASSEMBLY - DRIVE STEER BRAKE ASSEMBLY
5		7049000108	1	AXLE ASSEMBLY - DRIVE STEER WEDGE ASSEMBLY
6		7049000108	1	AXLE ASSEMBLY - DRIVE STEER FAIL SAFE CHAMBER ASSEMBLY

# Manitowoc Cranes



# Manitowoc Cranes

Description

**AXLE ASSEMBLY - DRIVE STEER  
HOUSING GROUP**

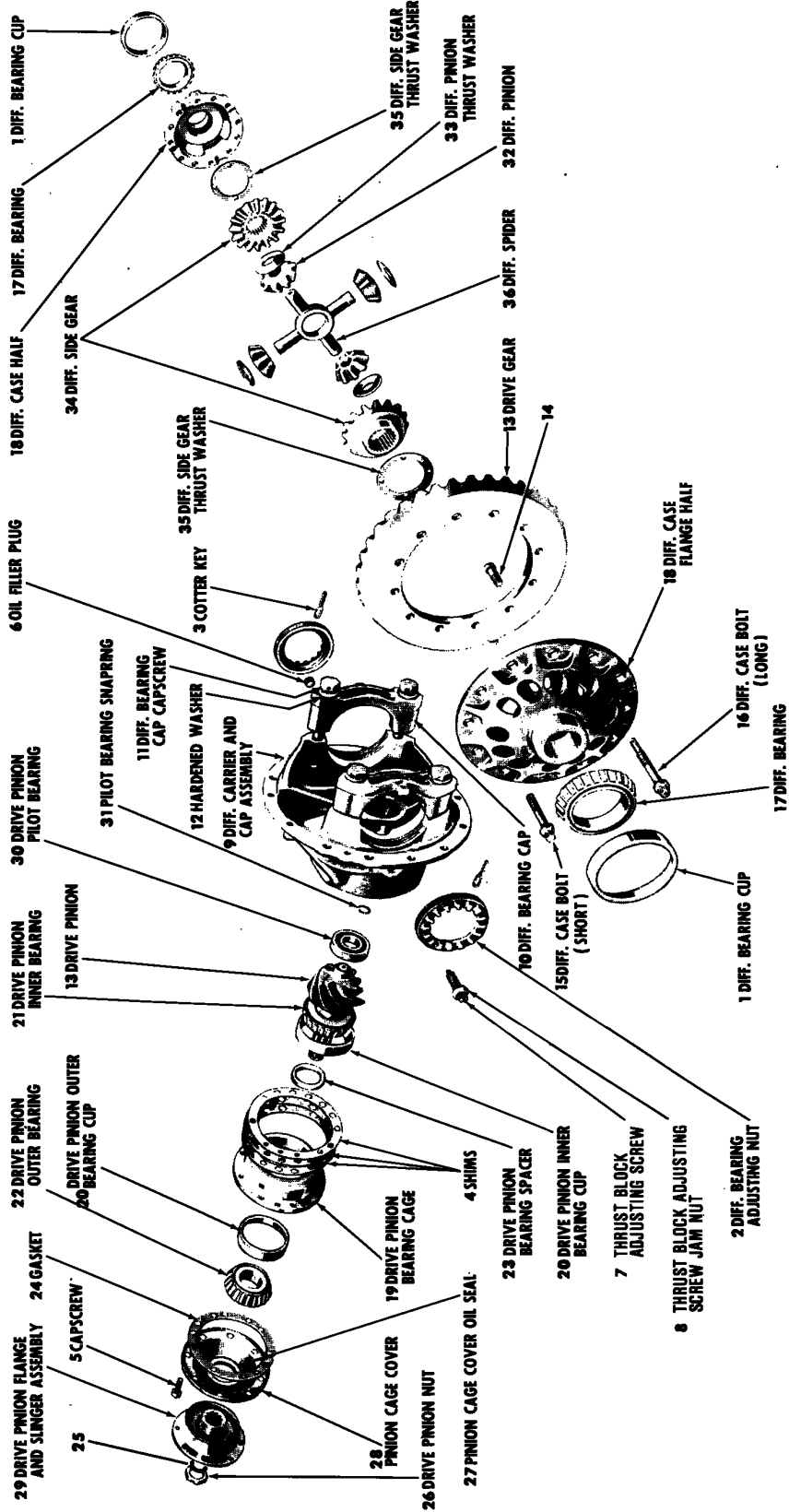
Assembly No.

**7049000108**

Revision:

Item	FN	Part	Qty	Description
1		9049101650	2	PLUG
2		9049101560	4	STUD, MEDIUM
3		9049101651	10	STUD
4		9049101912	1	BREATHER
5		9049101652	14	FLATWASHER
6		9049103001	14	LOCKNUT
7		1000000000	1	MAJOR "SPECIAL" LEGEND
8		9049103904	1	HOUSING ASSEMBLY

# Manitowoc Cranes



# Manitowoc Cranes

Description

**AXLE ASSEMBLY - DRIVE STEER  
DIFFERENTIAL CARRIER ASSEMBLY**

Assembly No.

**7049000108**

Revision:

Item	FN	Part	Qty	Description
1		9049101544	2	CUP, BEARING
2		9049101546	2	RING, ADJUSTING
3		9049101545	2	PIN, COTTER
4		9049101894	2	SHIM, .003"
5		9049101577	8	CAP SCREW,
6		9049101700	1	PLUG
7		9049101498	1	SCREW, THRUST
8		9049101497	1	NUT, JAM
9		9049101886	1	DIFF. HOUSING & CAP ASSY
10		9049101602	4	DOWEL
11		9049102914	4	CAP SCREW,
12		9049101554	4	WASHER .66" I.D.
13		9049101893	1	GEAR
14		9049103961	1	KIT, HARDWARE
15		9049102299	4	CAP SCREW,
16		9049102915	8	CAP SCREW,
17		9049101543	2	CONE, BEARING
18	%	9049103899	1	CASE ASSY, DIFFERENTIAL
19		9049101583	1	CAGE ASSEMBLY
20		9049101582	2	CUP, BEARING
21		9049101581	1	CONE, BEARING
22		9049101596	1	CONE, BEARING
23		9049102943	1	SPACER .471"
24		9049101580	1	GASKET
25		9049101599	1	WASHER,
26		9049102916	1	NUT
27		9049101579	1	SEAL,OIL
28		9049101578	1	COVER & SEAL ASSY
29		9049101910	1	YOKE
30		9049101598	1	BEARING
31		9049101600	1	RING, RETAINING
32		9049101907	4	PINION
33		9049101908	4	WASHER, THRUST

% SEE NOTE AT END OF LIST

# Manitowoc Cranes

Description

**AXLE ASSEMBLY - DRIVE STEER  
DIFFERENTIAL CARRIER ASSEMBLY**

Assembly No.

**7049000108**

Revision:

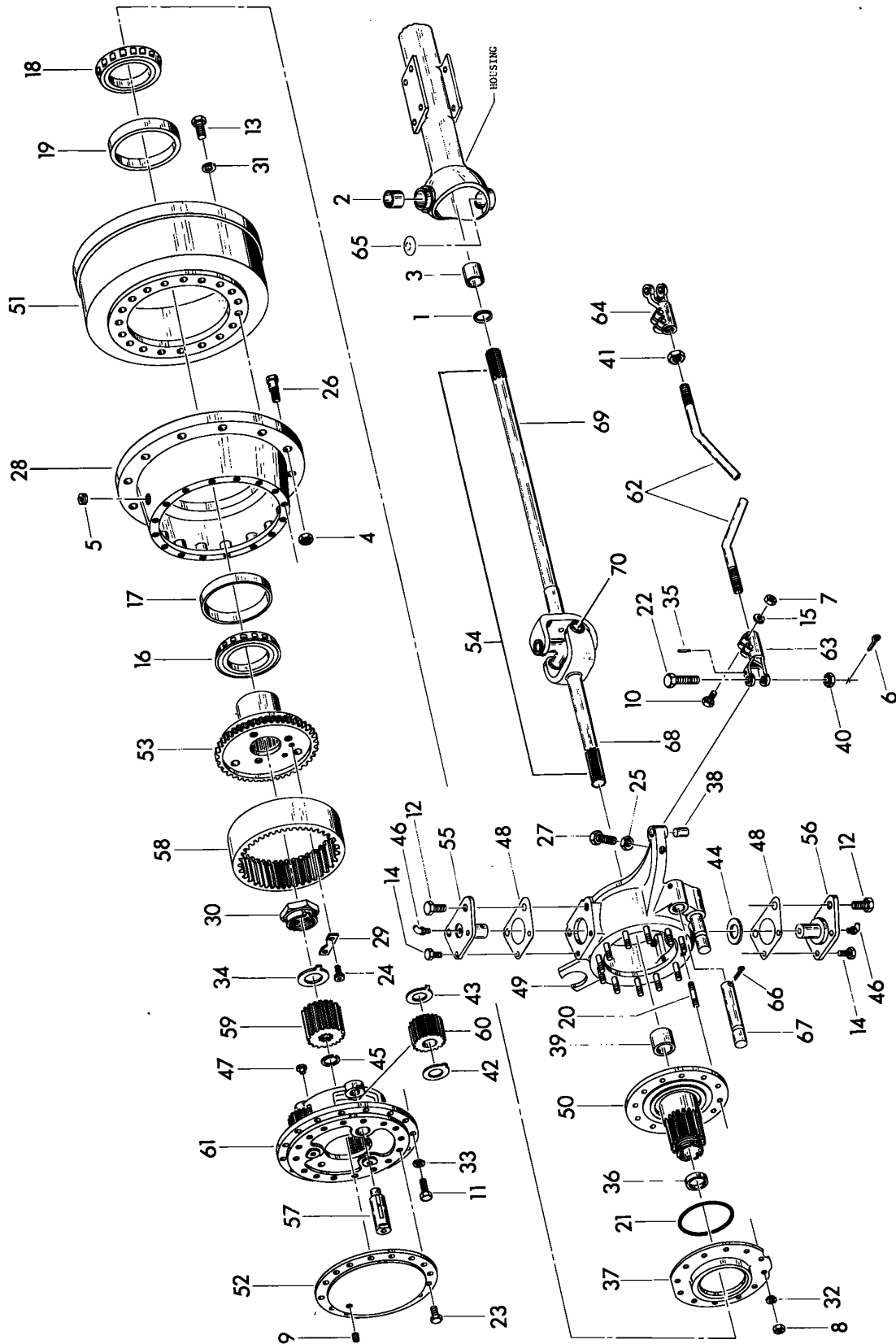
Item	FN	Part	Qty	Description
34		9049101909	2	GEAR
35		9049101540	2	WASHER, THRUST
36		9049101538	1	SPIDER
7778		9049103914	1	CARRIER, DIFFERENTIAL

# ***Manitowoc Cranes***

Notes

---

# Manitowoc Cranes





# Manitowoc Cranes

Description

**AXLE ASSEMBLY - DRIVE STEER  
HUB AND SHAFT GROUP**

Assembly No.

**7049000108**

Revision:

Item	FN	Part	Qty	Description
1		9049101648	2	SEAL,OIL
2		9049102253	4	BUSHING
3		9049101647	2	BUSHING
4		9049102266	24	NUT
5		9049101920	2	PLUG, DRAIN (MAGNETIC)
6		9049101682	2	PIN, COTTER
7		9049101685	4	NUT
8		9049103926	24	NUT
9		9049101855	2	PLUG
10		9049101684	4	CAP SCREW,
11		9049101577	32	CAP SCREW,
12		9049103595	8	CAP SCREW,
13		9049103596	40	CAP SCREW,
14		9049103574	8	CAP SCREW,
15		9049101980	4	FLATWASHER
16		9049101694	2	CONE, BEARING
17		9049101696	2	CUP, BEARING
18		9049101693	2	CONE, BEARING
19		9049101695	2	CUP, BEARING
20		9049101661	24	STUD
21		7755269000	2	O-RING
22		9049101678	2	CAP SCREW,
23		9049101898	16	CAP SCREW,
24		9049103396	4	SCREW,
25		9049101497	2	NUT, JAM
26		9049101687	24	STUD
27		9049101674	2	CAP SCREW,
28		9049101917	2	HUB & CUP
29		9049103395	2	LOCK
30		9049103394	2	NUT
31		9049101705	40	WASHER, LOCK
32		9049102173	24	WASHER,
33		9049101980	32	FLATWASHER

# Manitowoc Cranes

Description

**AXLE ASSEMBLY - DRIVE STEER  
HUB AND SHAFT GROUP**

Assembly No.

**7049000108**  
Revision:

Item	FN	Part	Qty	Description
34		9049103391	2	WASHER,
35		9049101679	2	PIN
36		9049101656	2	SEAL,OIL
37		9049101697	2	SEAL,OIL
38		9049101680	2	BUSHING
39		9049101657	2	BUSHING
40		9049101681	2	NUT
41		9049101683	1	NUT
42		9049101848	6	WASHER, THRUST
43		9049101847	6	WASHER, THRUST
44		9049101673	2	WASHER, THRUST
45		9274100125	2	RING, SNAP
46		9049103562	4	FITTING, GREASE
47		9049103565	6	BUTTON, THRUST
48		9049101669	6	SHIM, .020"
49		9049101914	1	KNUCKLE, STEERING R.H. FRONT - L.H. REAR
50		9049103906	2	SPINDLE ASSEMBLY
51		9049101918	2	DRUM, BRAKE
52		9049102993	2	COVER-PLANETARY
53		9049103393	2	HUB
54		9049101654	2	U-JOINT
55		9049101665	2	CAP
56		9049101915	2	CAP
57		9049101849	6	SHAFT
58		9049103392	2	GEAR
59		9049101844	2	GEAR-20T
60		9049101846	6	GEAR, PINION
61		9049103908	2	PLANETARY SPIDER AND BUTTON
62		9049103910	1	ROD, TIE
63		9049101676	1	YOKE, TIE ROD END (12 THRD)
64		9049101677	1	YOKE, TIE ROD END 16 THREAD PER INCH

# Manitowoc Cranes

Description

**AXLE ASSEMBLY - DRIVE STEER  
HUB AND SHAFT GROUP**

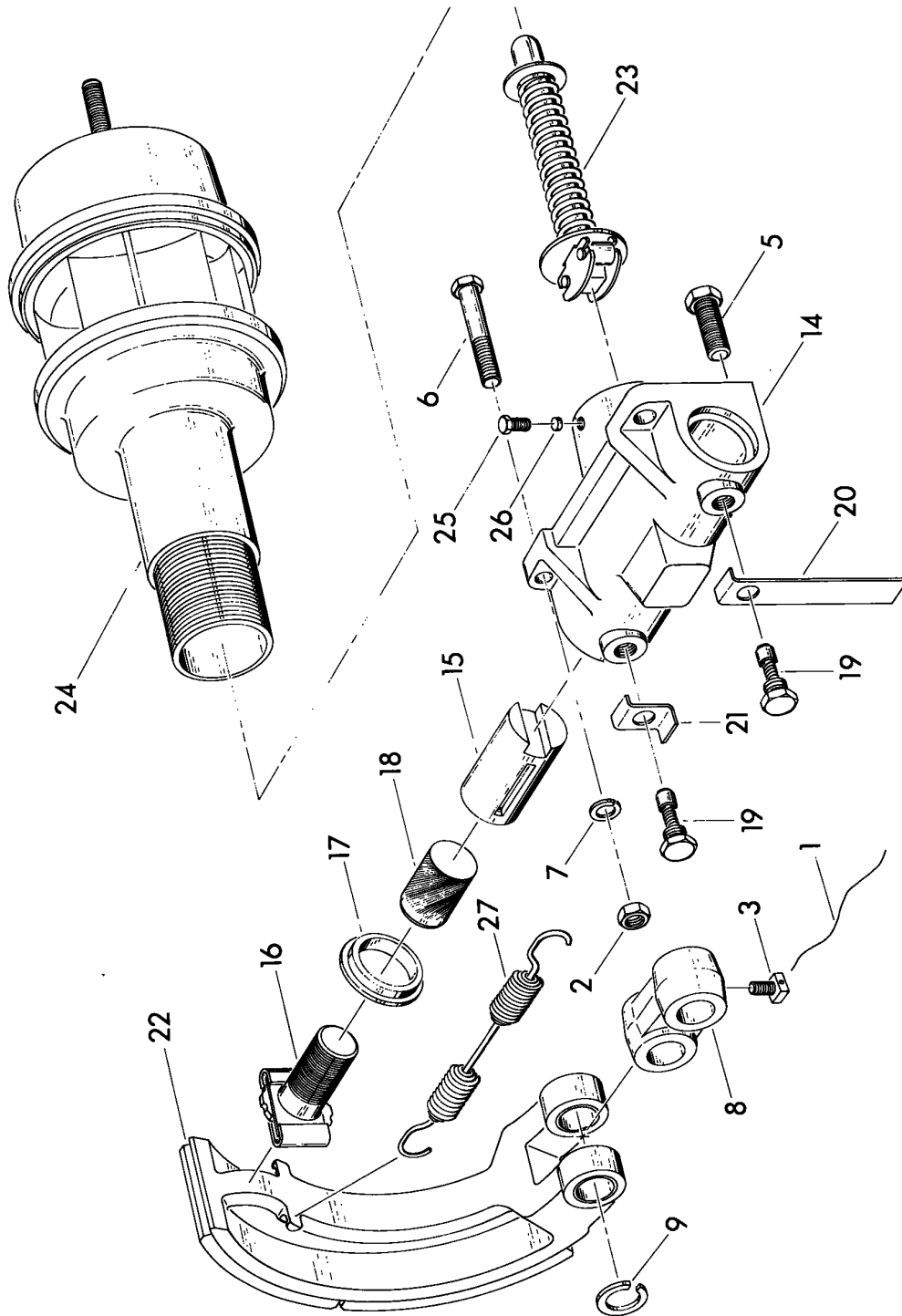
Assembly No.

**7049000108**

Revision:

Item	FN	Part	Qty	Description
65		9049102254	4	PLUG, EXPANSION
66		9274100112	4	PIN, COTTER
67		9049101934	4	PIN, ANCHOR
68		9049104363	2	SHAFT 13.84 LONG
69		9049104364	2	SHAFT
70		9049104362	2	U-JOINT

# Manitowoc Cranes



# Manitowoc Cranes

Description

**AXLE ASSEMBLY - DRIVE STEER  
BRAKE ASSEMBLY**

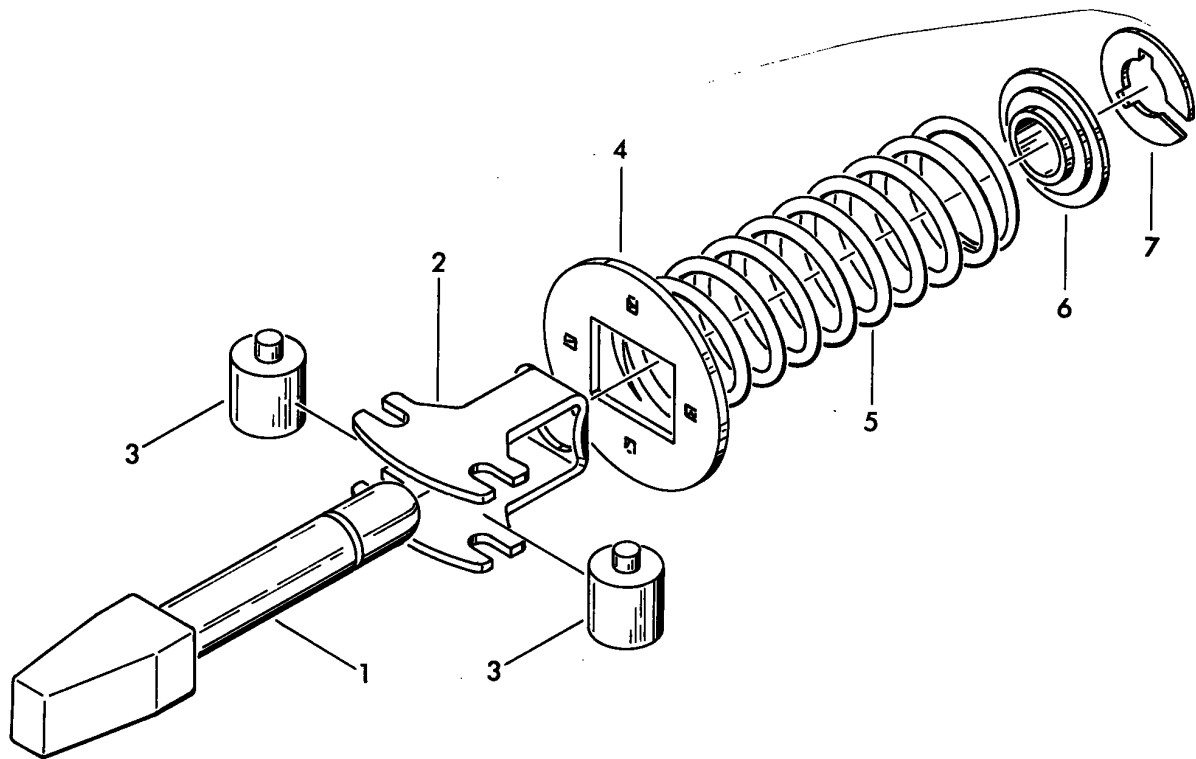
Assembly No.

**7049000108**

Revision:

Item	FN	Part	Qty	Description
1		9049101938	2	LOCKWIRE
2		9049101685	4	NUT
3		9049101937	4	CAP SCREW,
4		9049101926	12	CAP SCREW,
5		9049101952	4	CAP SCREW,
6		9049101953	4	CAP SCREW,
7		9049101980	4	FLATWASHER
8		9049101936	2	LINK
9		9049101935	4	RING, SNAP
10		9049101922	1	SHIELD, DUST - L.H.
11		9049101923	1	SHIELD, DUST - R.H.
12		9049101924	1	SHIELD, DUST
13		9049101925	1	SHIELD, DUST
14		9049103705	2	HOUSING
15		9049101945	4	PLUNGER
16		9049103686	4	BOLT ASSEMBLY
17		9049101943	4	SEAL ASSEMBLY, ANCHOR
18		9049101944	4	ACTUATOR, BRAKE
19		9049103706	4	GUIDE
20		9049102252	2	TAG
21		9049101950	2	LOCKPLATE
22		9049101931	104	RIVET
23		9049101954	2	WEDGE ASSEMBLY
24		9049101962	2	BRAKE CHAMBER ASSEMBLY
25		9049103602	2	CAP SCREW,
26		9049101940	2	PLUG
27		9188100171	2	SPRING

# Manitowoc Cranes



# Manitowoc Cranes

Description

**AXLE ASSEMBLY - DRIVE STEER  
WEDGE ASSEMBLY**

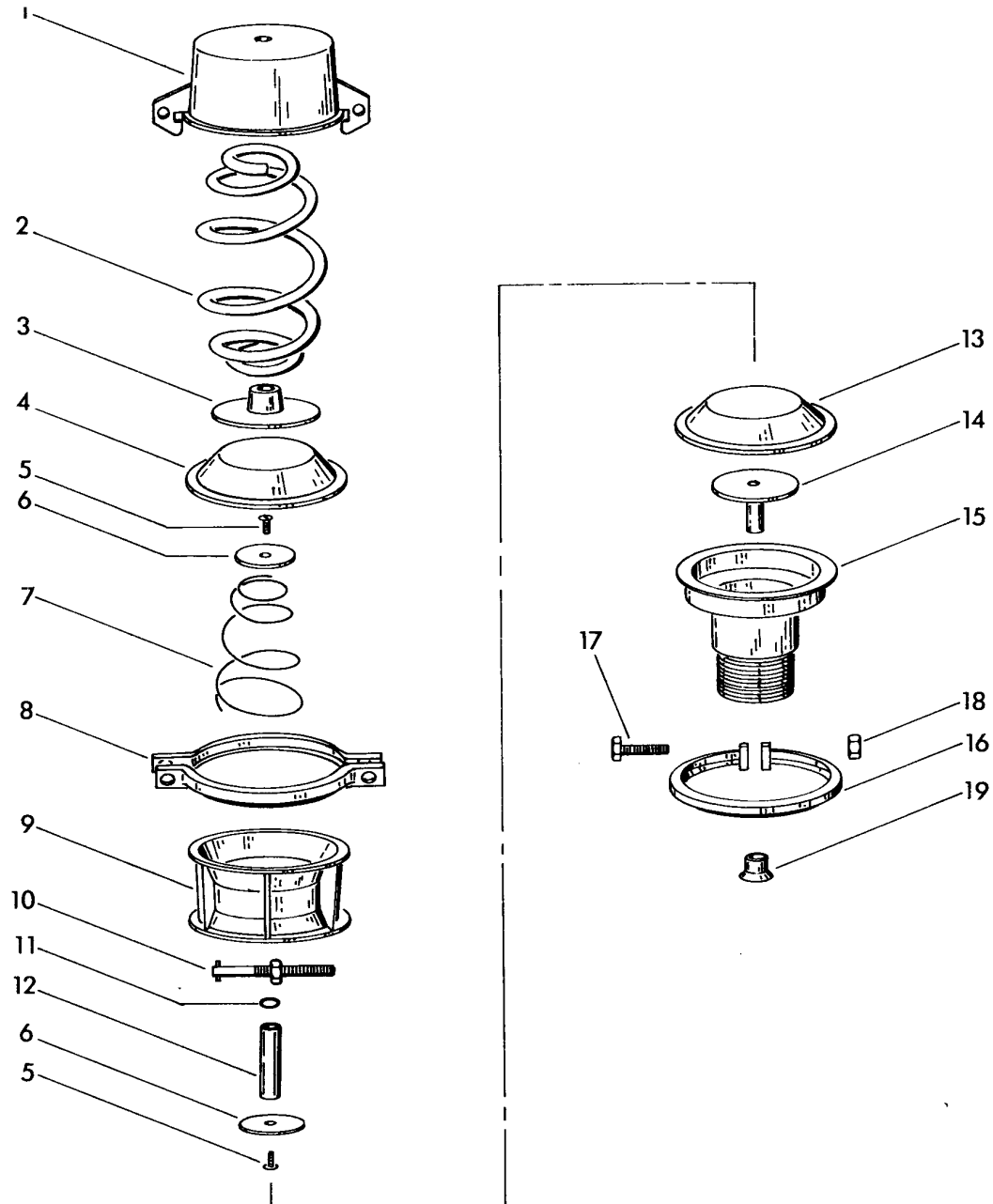
Assembly No.

**7049000108**

Revision:

Item	FN	Part	Qty	Description
1		9049101955	1	WEDGE
2		9049101956	1	CAGE
3		9049101957	2	ROLLER
4		9049103749	1	WASHER,
5		9049101959	1	SPRING
6		9049101961	1	WASHER, THRUST
7		9049101960	1	RING, SNAP
8		9049101954	1	WEDGE ASSEMBLY

# Manitowoc Cranes





# Manitowoc Cranes

Description

**AXLE ASSEMBLY - DRIVE STEER  
FAIL SAFE CHAMBER ASSEMBLY**

Assembly No.

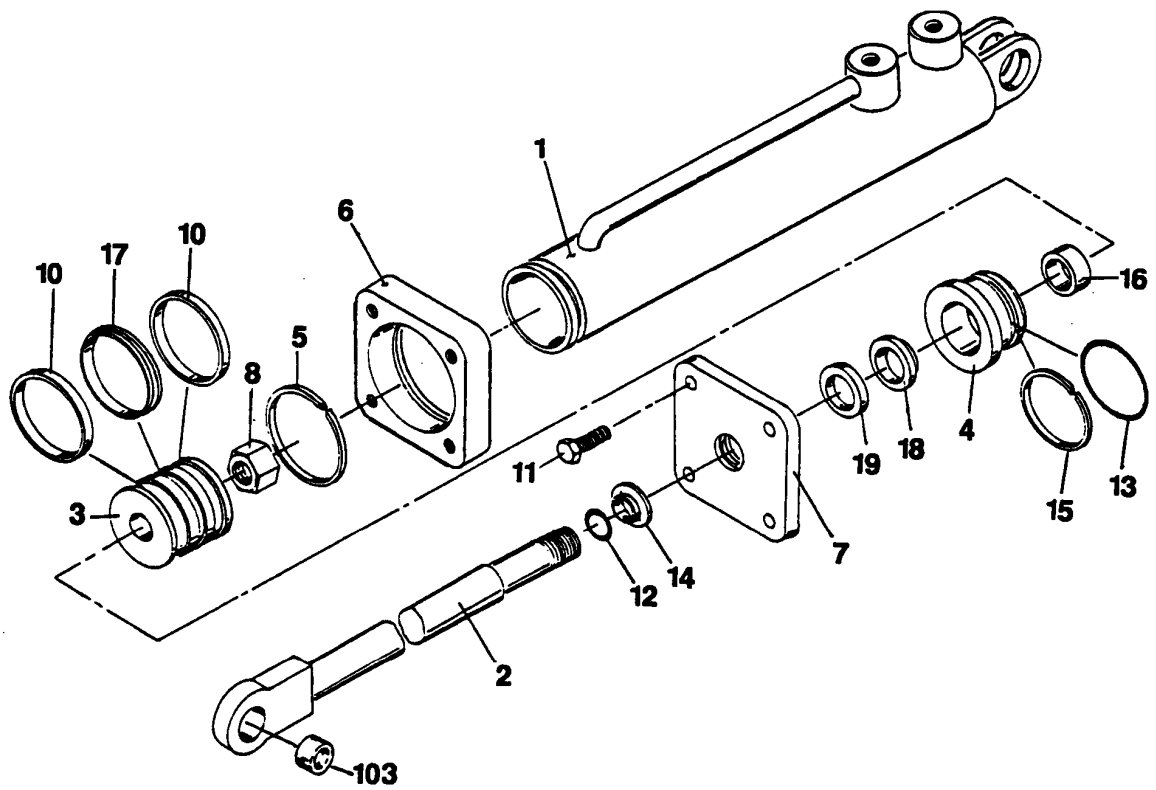
**7049000108**

Revision:

Item	FN	Part	Qty	Description
1	#	NS	1	NOT SERVICED
2	#	NS	1	NOT SERVICED
3	#	NS	1	NOT SERVICED
4	#	NS	1	NOT SERVICED
5	#	NS	2	NOT SERVICED
6	#	NS	2	NOT SERVICED
7	#	NS	1	NOT SERVICED
8	#	NS	1	NOT SERVICED
9	#	NS	1	NOT SERVICED
10	#	NS	1	NOT SERVICED
11	#	NS	1	NOT SERVICED
12	#	NS	1	NOT SERVICED
13		9049101964	1	DIAPHRAGM
14		9049103912	1	PLATE ASSY, DIAPHRAGM
15		9049101966	1	HOUSING, NON-PRESSURE
16		9049101967	1	CLAMP
17		9049103702	2	CAP SCREW,
18		9049103703	2	NUT
19		9049101968	1	GUIDE
20		9049101962	1	BRAKE CHAMBER ASSEMBLY

# SERVICED AS AN ASSEMBLY ONLY

# Manitowoc Cranes



# Manitowoc Cranes

Description

**CYLINDER ASSEMBLY - 3" STEER (COMPLETE ASSEMBLY)**

Assembly No.

**6372000485**

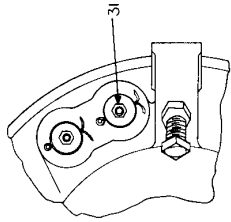
Revision: **F**

Item	FN	Part	Qty	Description
1		6372001434	1	BARREL
2		6810000897	1	SHAFT ASSEMBLY INCLUDES NBR 103
3		6701000080	1	PISTON, CYLINDER
4		6372000483	1	HEAD, CYLINDER
5		6753000016	1	RING, LOCK
6		6753000021	1	RING, RETAINING
7		6705000105	1	PLATE, HEAD
8		7659000215	1	LOCKNUT
10	*	7753000117	2	RING, WEAR
11		7105181450	4	CAP SCREW, 1/2" -20 N.F. X 1 3/4" GRADE 5
12	*	7755022000	1	O-RING
13	*	7755334000	1	O-RING
14	*	7794000007	1	RING, WIPER
15	*	7755334609	1	RING, BACK-UP
16	*	7753000175	1	RING, WEAR
17	*	7753000113	1	RING, GT
18	*	7794000006	1	SEAL, ROD
19	*	6753000204	1	RING, BACK-UP
103		7199000198	1	BUSHING
104	*	9752100072	0	KIT, REPAIR

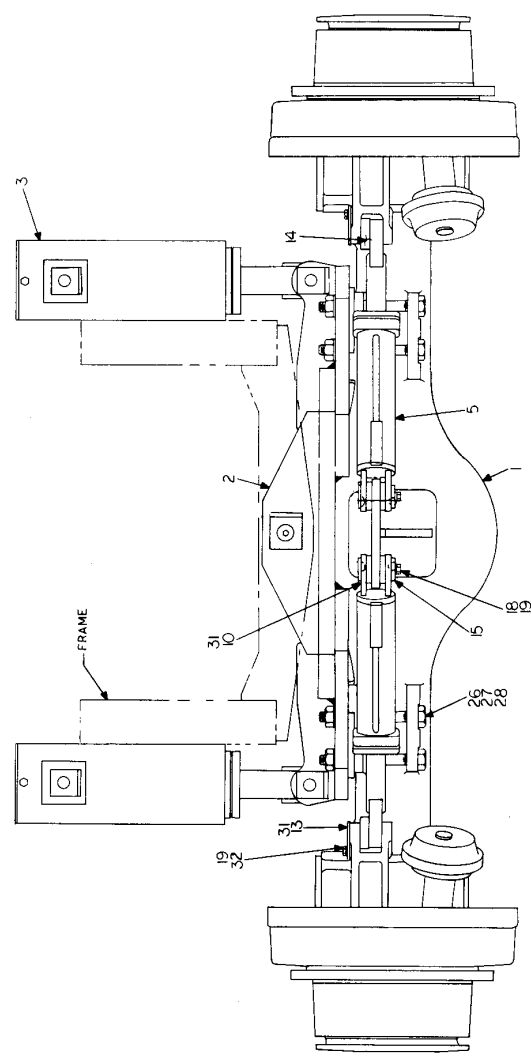
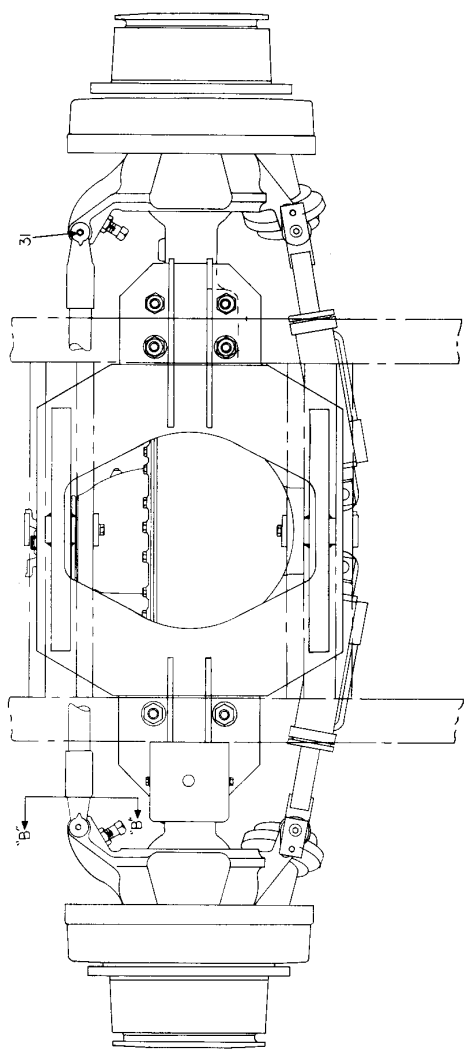
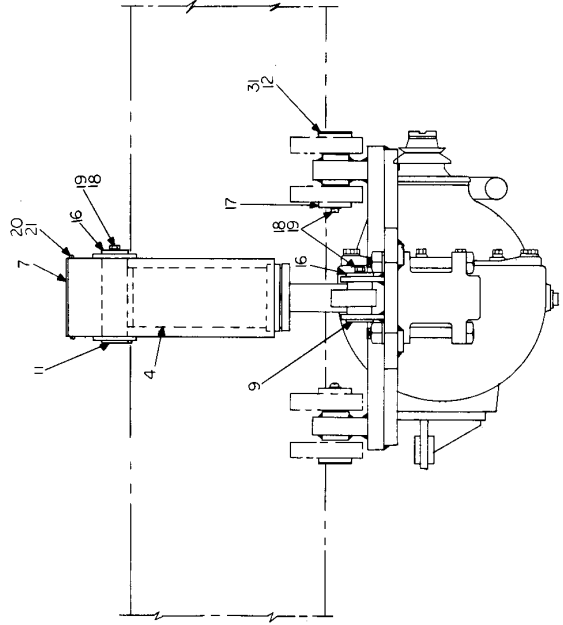
\* REPAIR KIT AND/OR PART OF KIT

# Manitowoc Cranes

- WHEEL ALIGNMENT PROCEDURE:**
1. CHECK AND SET WHEEL ALIGNMENT. WHEELS ARE TO BE SQUARE TO THE AXLE OR OUT, ADJUST IF NECESSARY.
  2. TURN AXLE TO CENTER LEFT. CHECK CLEARANCE BETWEEN INSIDE OF TIRERS & SIDE OF FRAME. CLEARANCE SHOULD BE 1/4" ALL AROUND. CHECK OTHER CALIBERS TO SEE THAT CALIBERS ARE SET UNIFORM. TO CHECK - REMOVE PIN AT END OF A WHEEL PRESSURE TO THE FRAME. CHECK CLEARANCE BETWEEN WHEEL AND FRAME AT POINT OF CONTACT.
  3. TURN AXLE TO CENTER RIGHT & REPEAT STEP 2.



VIEW "B-B"



# Manitowoc Cranes

Description

**REAR AXLE INSTALLATION**

Assembly No.

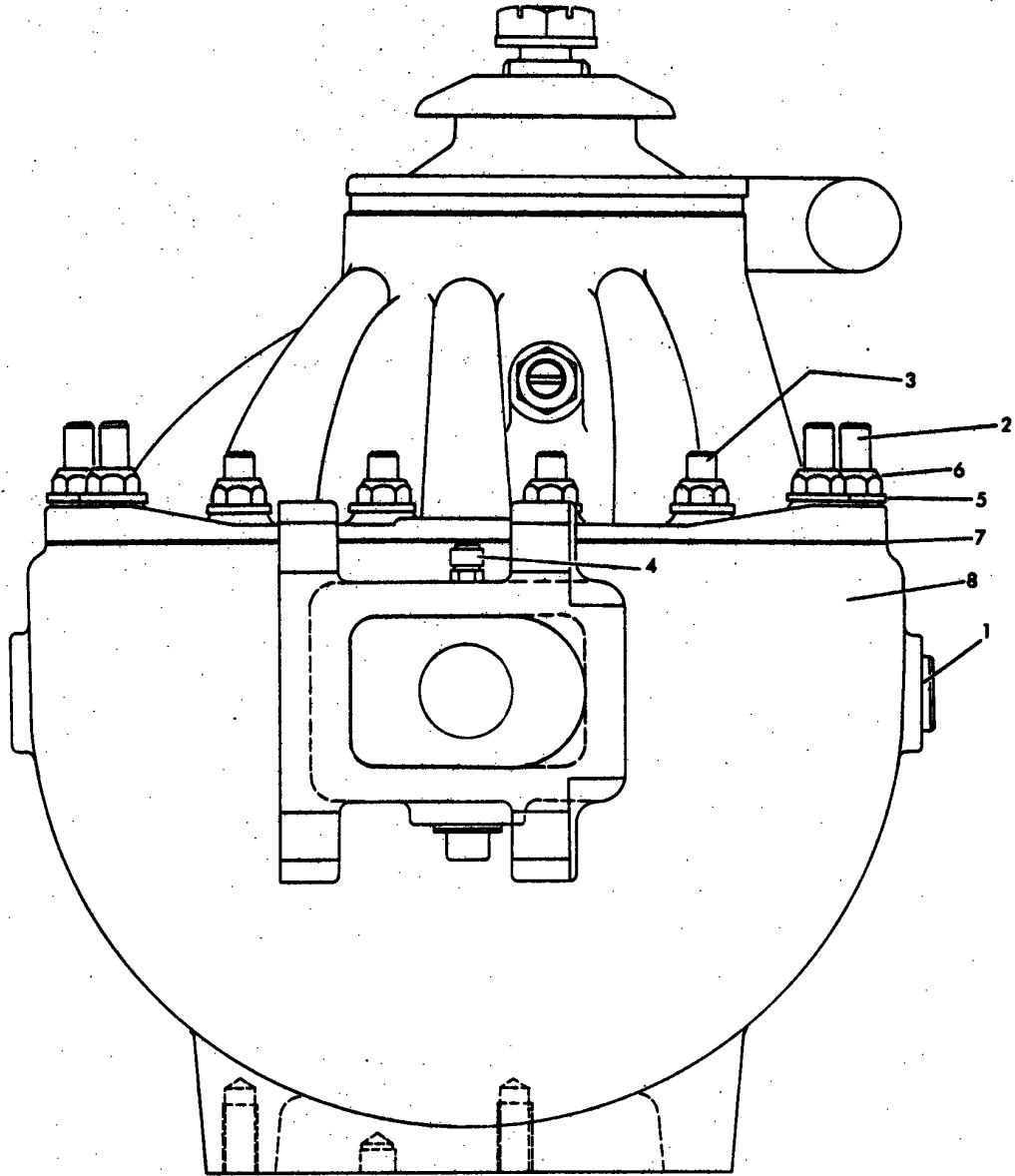
**2160700025**

Revision:

Item	FN	Part	Qty	Description
1	+	7049000129	1	AXLE ASSEMBLY - NO-SPIN REAR DRIVE STEER
2		6970000146	1	FIFTH WHEEL
3		2160100003	2	BOX, STABILIZER MOUNTING
4	+	6372000585	2	CYLINDER ASSEMBLY - 5" LOCKOUT
5	+	6372000485	2	CYLINDER ASSEMBLY - 3" STEER (COMPLETE ASSEMBLY)
7		2158600038	2	COVER ASSY, STABILIZER
9		6810000580	2	SHAFT
10		6810000576	2	SHAFT
11		6810000761	2	SHAFT
12		2160700003	2	PIN, PIVOT
13		6810001090	2	SHAFT
14		6910001092	2	SPACER
15		6258000124	2	CAP, END
16		6258000123	4	CAP, END
17		6949000155	2	WASHER,
18		7115181050	8	CAP SCREW, 1/2" - 13 N.C. X 1 1/4" GRADE 5
19		7950180050	10	WASHER, LOCK 1/2" I.D.
20		7790140653	4	SCREW, SELF-TAPPING 1/4" - 20 N.C. X 3/8"
21		7950140050	4	WASHER, LOCK 1/4"
26		7115267650	8	1" - 8 NC X 9 1/2" GRD 5
27		7660261318	8	NUT, HEX 1" - 8 N.C.
28		7950260050	8	LOCK WASHER, 1" I.D.
31		7440000000	12	FITTING, 1/8 STRAIGHT GREASE
32		7105181650	2	CAP SCREW, 1/2" - 20 N.F. X 2" GRADE 5

+ SEE FURTHER BREAKDOWN THIS GROUP

# Manitowoc Cranes



# Manitowoc Cranes

Description

**AXLE ASSEMBLY - NO-SPIN REAR DRIVE STEER**

Assembly No.

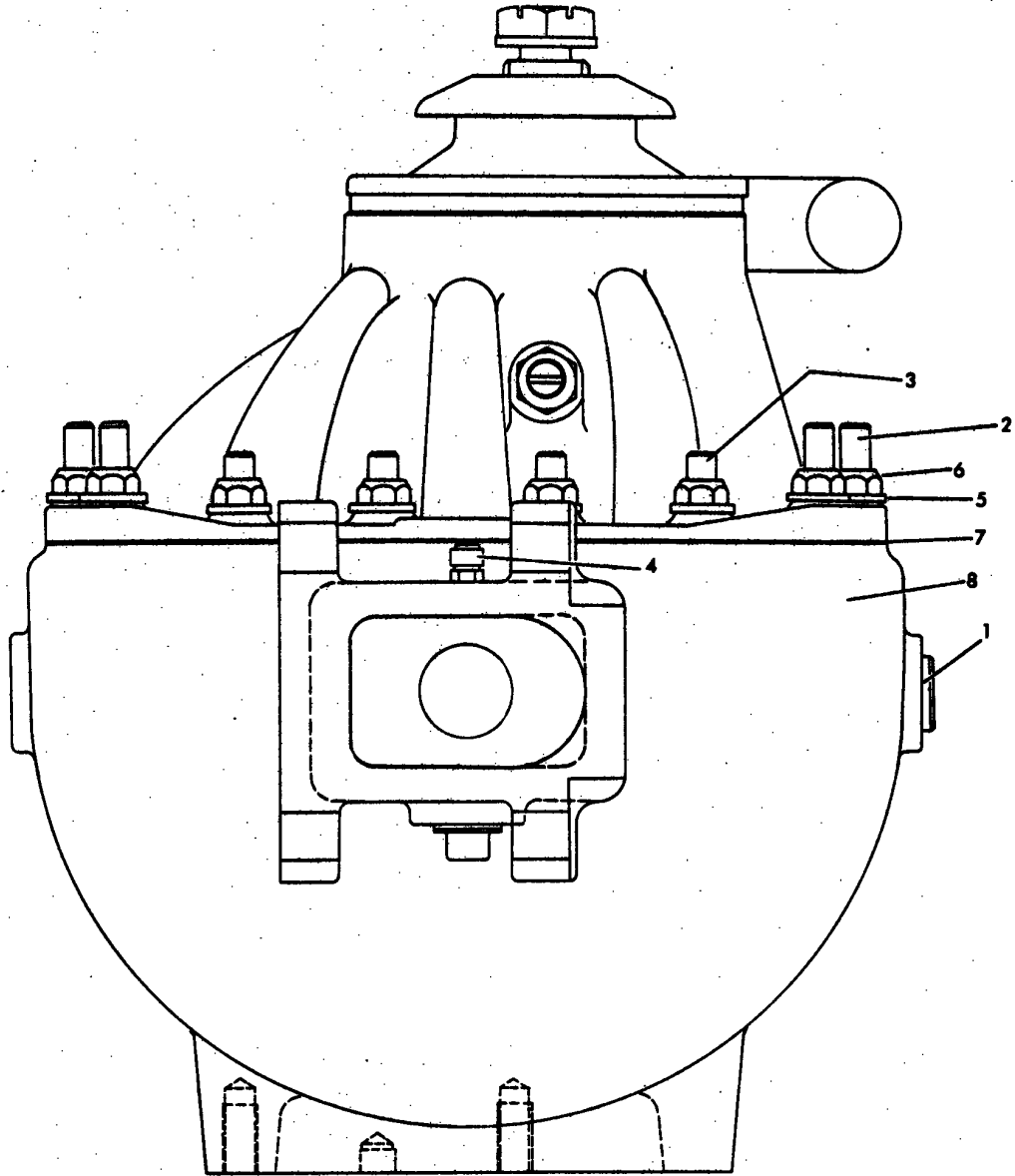
**7049000129**

Revision:

Item	FN	Part	Qty	Description
1	+	7049000129	1	AXLE ASSEMBLY - NO-SPIN REAR DRIVE STEER HOUSING ASSEMBLY
2	+	7049000129	1	AXLE ASSEMBLY - NO-SPIN REAR DRIVE STEER DIFFERENTIAL CARRIER ASSEMBLY
3	+	7049000129	1	AXLE ASSEMBLY - NO-SPIN REAR DRIVE STEER HUB AND SHAFT GROUP
4	+	7049000129	1	AXLE ASSEMBLY - NO-SPIN REAR DRIVE STEER BRAKE ASSEMBLY
5	+	7049000129	1	AXLE ASSEMBLY - NO-SPIN REAR DRIVE STEER WEDGE ASSEMBLY
6	+	7049000129	1	AXLE ASSEMBLY - NO-SPIN REAR DRIVE STEER FAILSAFE CHAMBER ASSEMBLY

+ SEE FURTHER BREAKDOWN THIS GROUP

# Manitowoc Cranes





# Manitowoc Cranes

Description

**AXLE ASSEMBLY - NO-SPIN REAR DRIVE STEER  
HOUSING ASSEMBLY**

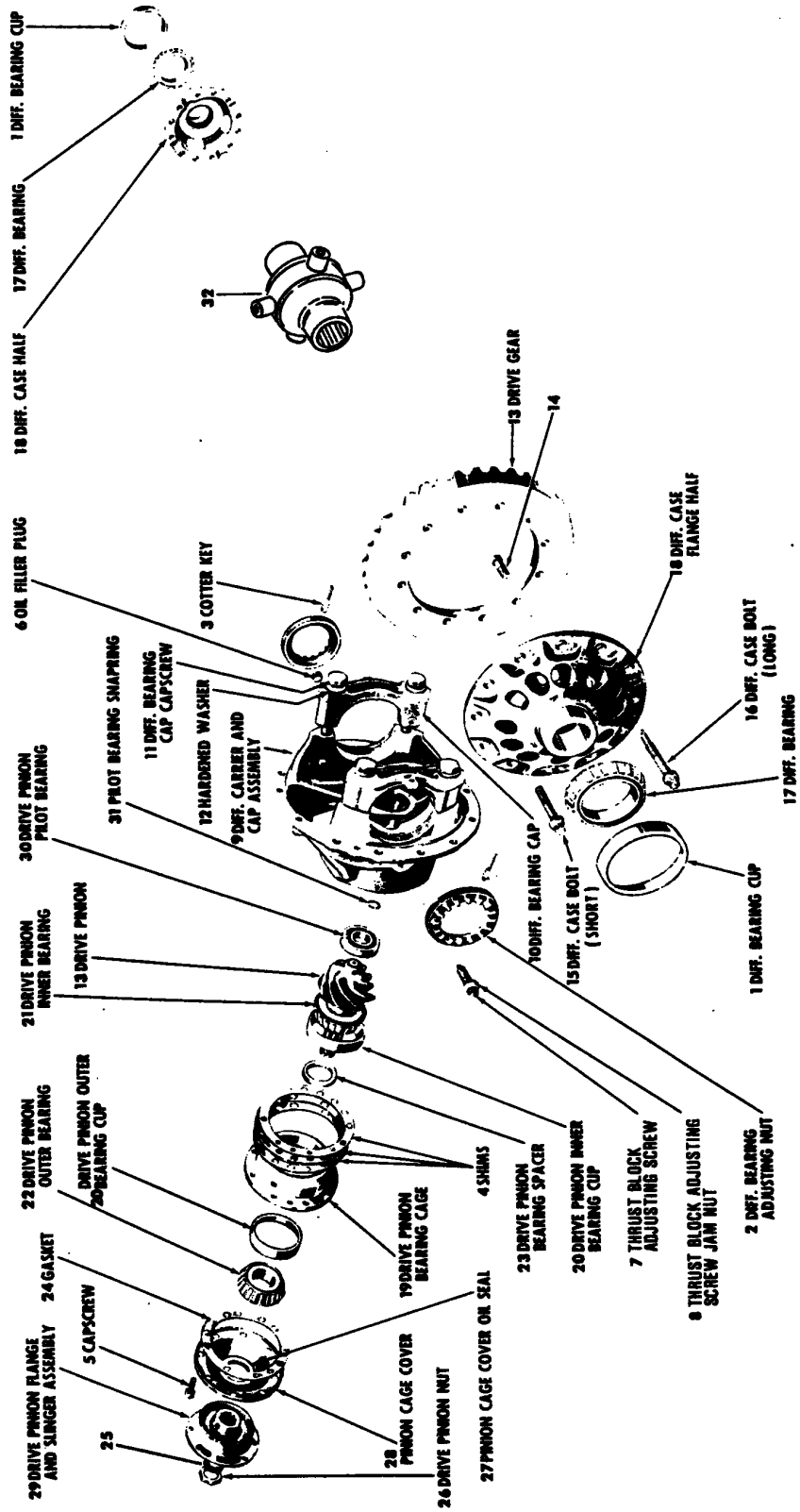
Assembly No.

**7049000129**

Revision:

Item	FN	Part	Qty	Description
1		9049101650	2	PLUG
2		9049101560	4	STUD, MEDIUM
3		9049101651	10	STUD
4		9049101912	1	BREATHER
5		9049101652	14	FLATWASHER
6		9049103001	14	LOCKNUT
7		1000000000	0	MAJOR "SPECIAL" LEGEND
8		9049103904	1	HOUSING ASSEMBLY

# Manitowoc Cranes



# Manitowoc Cranes

Description

**AXLE ASSEMBLY - NO-SPIN REAR DRIVE STEER  
DIFFERENTIAL CARRIER ASSEMBLY**

Assembly No.

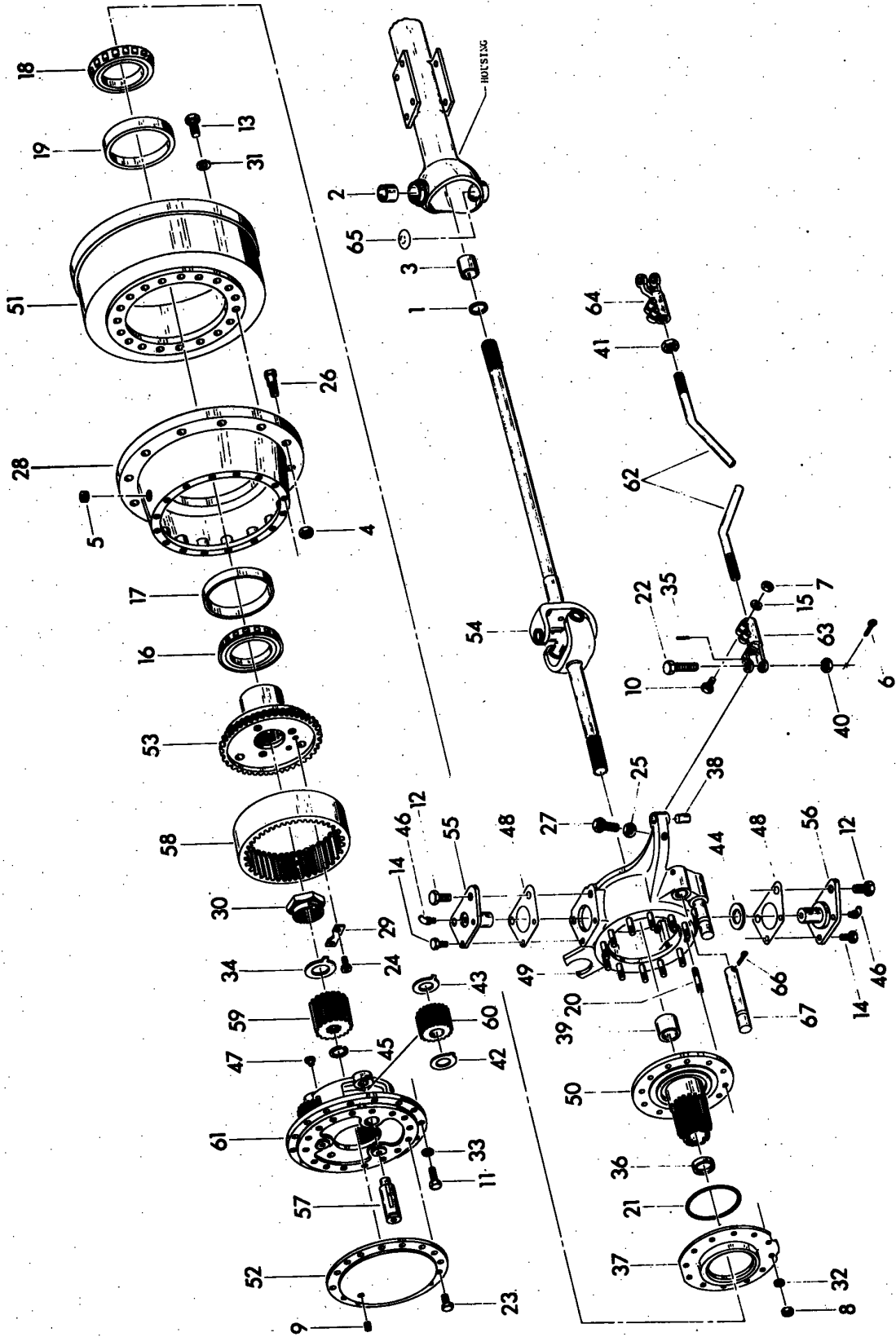
**7049000129**

Revision:

Item	FN	Part	Qty	Description
1		9049101544	2	CUP, BEARING
2		9049101546	2	RING, ADJUSTING
3		9049101545	2	PIN, COTTER
4		9049101894	2	SHIM, .003"
5		9049101577	8	CAP SCREW,
6		9049101700	1	PLUG
7		9049101498	1	SCREW, THRUST
8		9049101497	1	NUT, JAM
9		9049101886	1	DIFF. HOUSING & CAP ASSY
10		9049101602	4	DOWEL
11		9049102914	4	CAP SCREW,
12		9049101554	4	WASHER .66" I.D.
13		9049101893	1	GEAR
14		9049103961	1	KIT, HARDWARE
15		9049102299	4	CAP SCREW,
16		9049102915	8	CAP SCREW,
17		9049101543	2	CONE, BEARING
18	%	9049103899	1	CASE ASSY, DIFFERENTIAL
19		9049101583	1	CAGE ASSEMBLY
20		9049101582	2	CUP, BEARING
21		9049101581	1	CONE, BEARING
22		9049101596	1	CONE, BEARING
23		9049102942	0	SPACER .470"
24		9049101580	1	GASKET
25		9049101599	1	WASHER,
26		9049102916	1	NUT
27		9049101579	1	SEAL,OIL
28		9049101578	1	COVER & SEAL ASSY
29		9049101910	1	YOKE
30		9049101598	1	BEARING
31		9049101600	1	RING, RETAINING
32		9049103711	1	NO SPIN ASSY
7778		9049103898	1	CARRIER, DIFFERENTIAL

% SEE NOTE AT END OF LIST

# Manitowoc Cranes



# Manitowoc Cranes

Description

**AXLE ASSEMBLY - NO-SPIN REAR DRIVE STEER  
HUB AND SHAFT GROUP**

Assembly No.

**7049000129**

Revision:

Item	FN	Part	Qty	Description
1		9049101648	2	SEAL,OIL
2		9049102553	4	PLATE ASSY,DIAPHRAGM
3		9049101647	2	BUSHING
4		9049102266	24	NUT
5		9049101920	2	PLUG, DRAIN (MAGNETIC)
6		9049101682	2	PIN, COTTER
7		9049101685	4	NUT
8		9049103926	24	NUT
9		9049101855	2	PLUG
10		9049101684	4	CAP SCREW,
11		9049101577	32	CAP SCREW,
12		9049103595	8	CAP SCREW,
13		9049103596	40	CAP SCREW,
14		9049103574	8	CAP SCREW,
15		9722100515	4	WASHER, LOCK
16		9049101694	2	CONE, BEARING
17		9049101696	2	CUP, BEARING
18		9049101693	2	CONE, BEARING
19		9049101695	2	CUP, BEARING
20		9049101661	24	STUD
21		9049101698	2	O-RING
22		9049101678	2	CAP SCREW,
23		9049101898	16	CAP SCREW,
24		9049103396	4	SCREW,
25		9049101497	2	NUT, JAM
26		9049101687	24	STUD
27		9049101674	2	CAP SCREW,
28		9049101917	2	HUB & CUP
29		9049103395	2	LOCK
30		9049103394	2	NUT
31		9049101705	40	WASHER, LOCK
32		9049102173	24	WASHER,
33		9049101980	32	FLATWASHER

# Manitowoc Cranes

Description

**AXLE ASSEMBLY - NO-SPIN REAR DRIVE STEER  
HUB AND SHAFT GROUP**

Assembly No.

**7049000129**

Revision:

Item	FN	Part	Qty	Description
34		9049103391	2	WASHER,
35		9049101679	2	PIN
36		9049101656	2	SEAL,OIL
37		9049101697	2	SEAL,OIL
38		9049101680	2	BUSHING
39		9049101657	2	BUSHING
40		9049101681	2	NUT
41		9049101683	1	NUT
42		9049101848	6	WASHER, THRUST
43		9049101847	6	WASHER, THRUST
44		9049101673	2	WASHER, THRUST
45		9274100125	2	RING, SNAP
46		9049103562	4	FITTING, GREASE
47		9049103565	6	BUTTON, THRUST
48		9049101669	6	SHIM, .020"
49		9049101914	1	KNUCKLE, STEERING R.H. FRONT - L.H. REAR
50		9049103906	2	SPINDLE ASSEMBLY
51		9049101918	2	DRUM, BRAKE
52		9049102993	2	COVER-PLANETARY
53		9049103393	2	HUB
54		9049101654	2	U-JOINT
55		9049101665	2	CAP
56		9049101915	2	CAP
57		9049101849	6	SHAFT
58		9049103392	2	GEAR
59		9049101844	2	GEAR-20T
60		9049101846	6	GEAR, PINION
61		9049103908	2	PLANETARY SPIDER AND BUTTON
62		9049103910	1	ROD, TIE
63		9049101676	1	YOKE, TIE ROD END (12 THRD)
64		9049101677	1	YOKE, TIE ROD END 16 THREAD PER INCH

# Manitowoc Cranes

Description

**AXLE ASSEMBLY - NO-SPIN REAR DRIVE STEER  
HUB AND SHAFT GROUP**

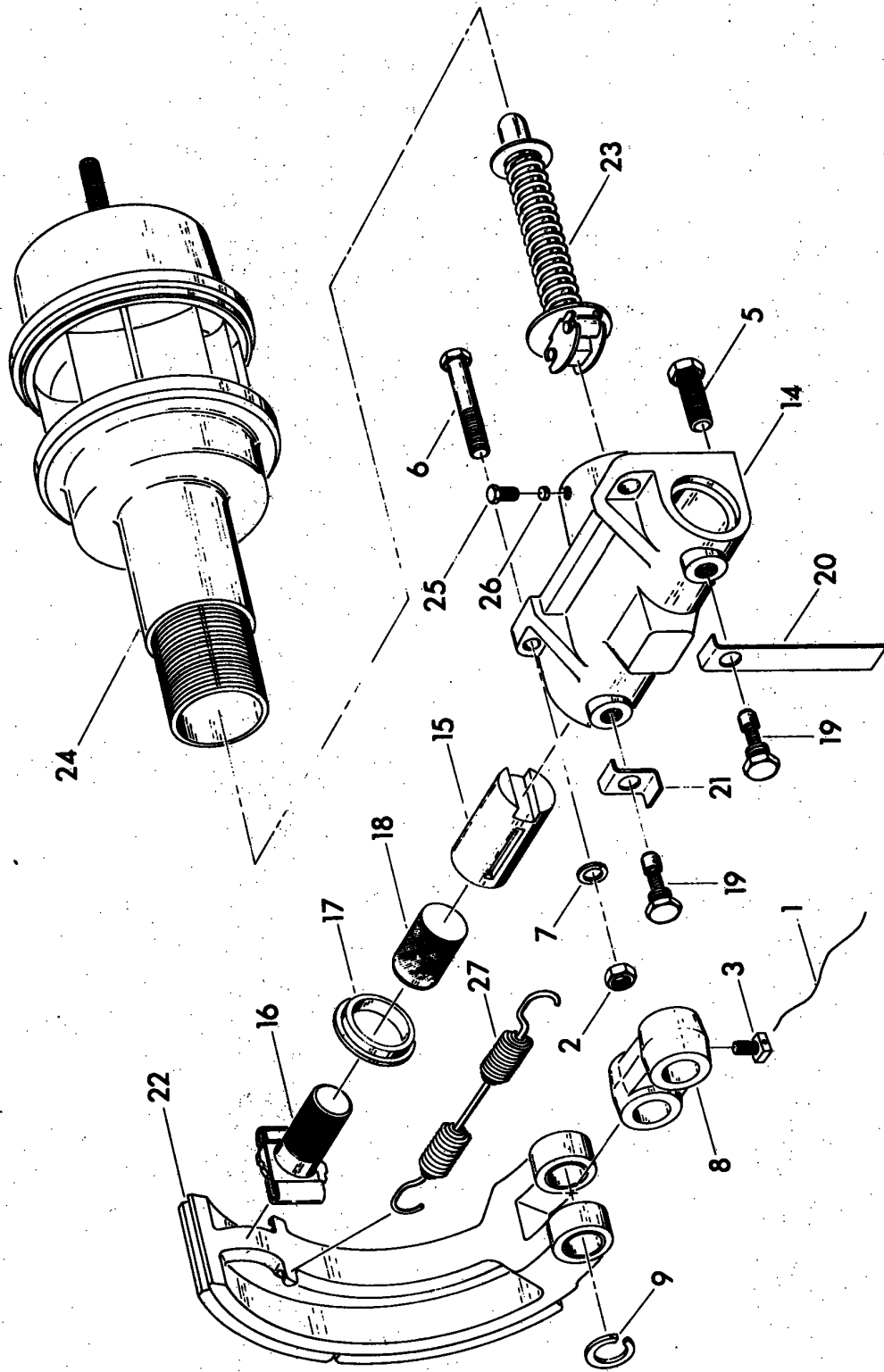
Assembly No.

**7049000129**

Revision:

Item	FN	Part	Qty	Description
65		9049102254	4	PLUG, EXPANSION
66		9049100112	4	NUT
67		9049101934	4	PIN, ANCHOR

# Manitowoc Cranes





# Manitowoc Cranes

Description

**AXLE ASSEMBLY - NO-SPIN REAR DRIVE STEER  
BRAKE ASSEMBLY**

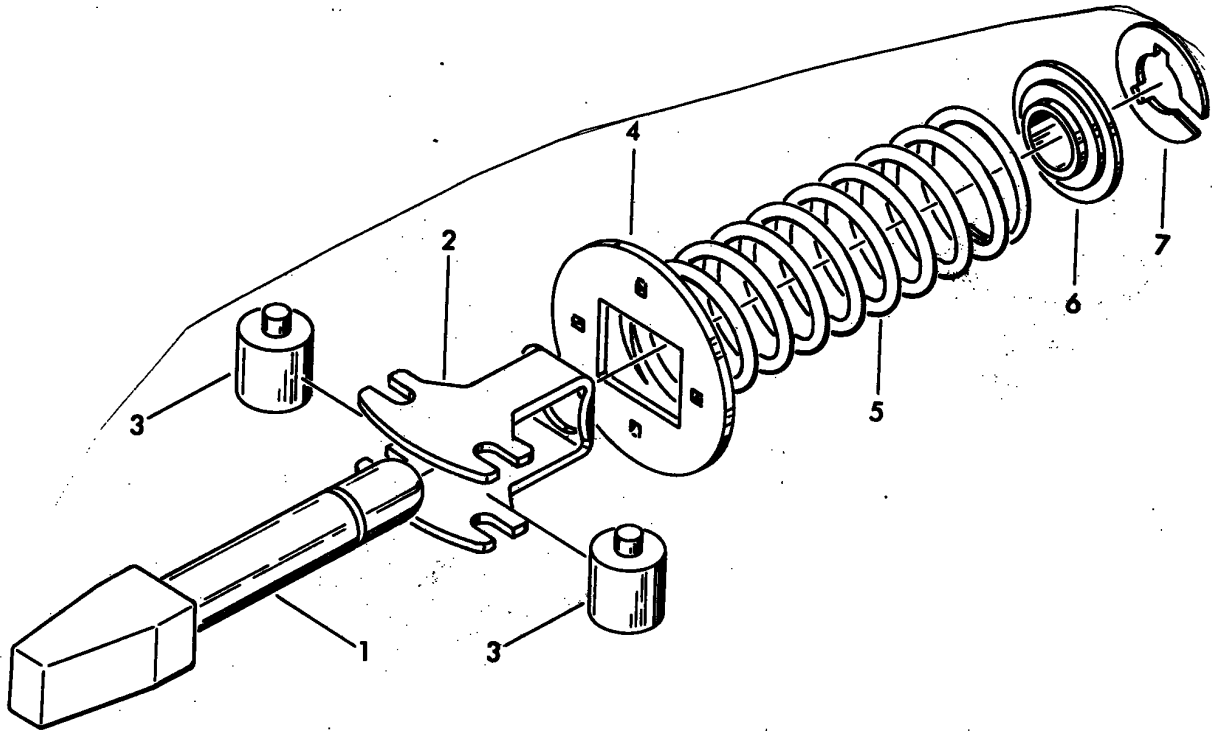
Assembly No.

**7049000129**

Revision:

Item	FN	Part	Qty	Description
1		9049101938	2	LOCKWIRE
2		9049101685	4	NUT
3		9049101937	4	CAP SCREW,
4		9049101926	12	CAP SCREW,
5		9049101952	4	CAP SCREW,
6		9049101953	4	CAP SCREW,
7		9722100515	4	WASHER, LOCK
8		9049101936	2	LINK
9		9049101935	4	RING, SNAP
10		9049101922	1	SHIELD, DUST - L.H.
11		9049101923	1	SHIELD, DUST - R.H.
12		9049101924	1	SHIELD, DUST
13		9049101925	1	SHIELD, DUST
14		9049103705	2	HOUSING
15		9049101945	4	PLUNGER
16		9049103686	4	BOLT ASSEMBLY
17		9049101943	4	SEAL ASSEMBLY, ANCHOR
18		9049101944	4	ACTUATOR, BRAKE
19		9049103706	4	GUIDE
20		9049102252	2	TAG
21		9049101950	2	LOCKPLATE
22		9049101931	26	RIVET
23		9049101954	2	WEDGE ASSEMBLY
24		9049101962	2	BRAKE CHAMBER ASSEMBLY
25		9049103602	2	CAP SCREW,
26		9049101940	2	PLUG
27		9188100171	2	SPRING

# Manitowoc Cranes



# Manitowoc Cranes

Description

**AXLE ASSEMBLY - NO-SPIN REAR DRIVE STEER  
WEDGE ASSEMBLY**

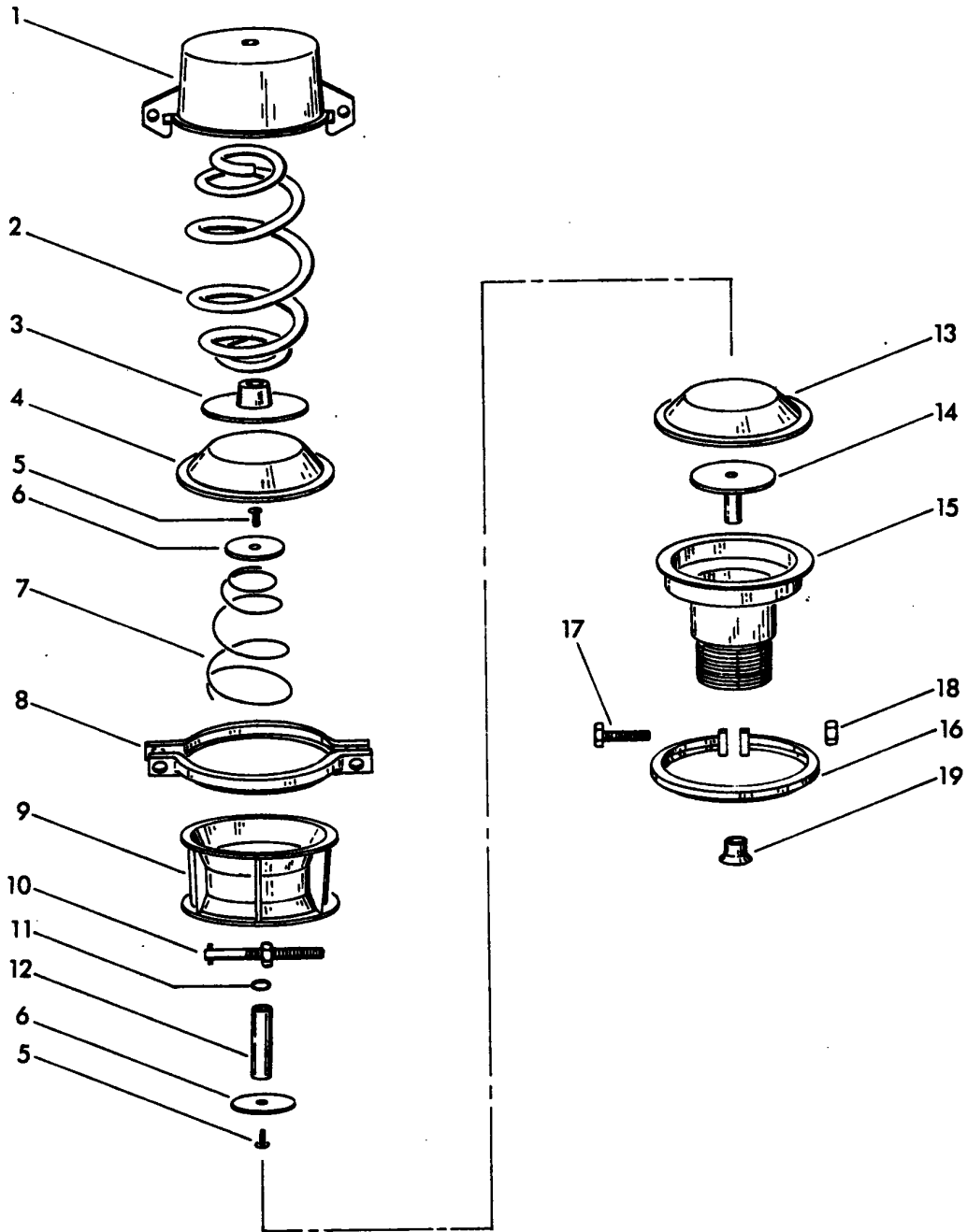
Assembly No.

**7049000129**

Revision:

Item	FN	Part	Qty	Description
1		9049101955	1	WEDGE
2		9049101956	1	CAGE
3		9049101957	2	ROLLER
4		9049103749	1	WASHER,
5		9049101959	1	SPRING
6		9049101961	1	WASHER, THRUST
7		9049101960	1	RING, SNAP
8		9049101954	1	WEDGE ASSEMBLY

# Manitowoc Cranes



# Manitowoc Cranes

Description

**AXLE ASSEMBLY - NO-SPIN REAR DRIVE STEER  
FAILSAFE CHAMBER ASSEMBLY**

Assembly No.

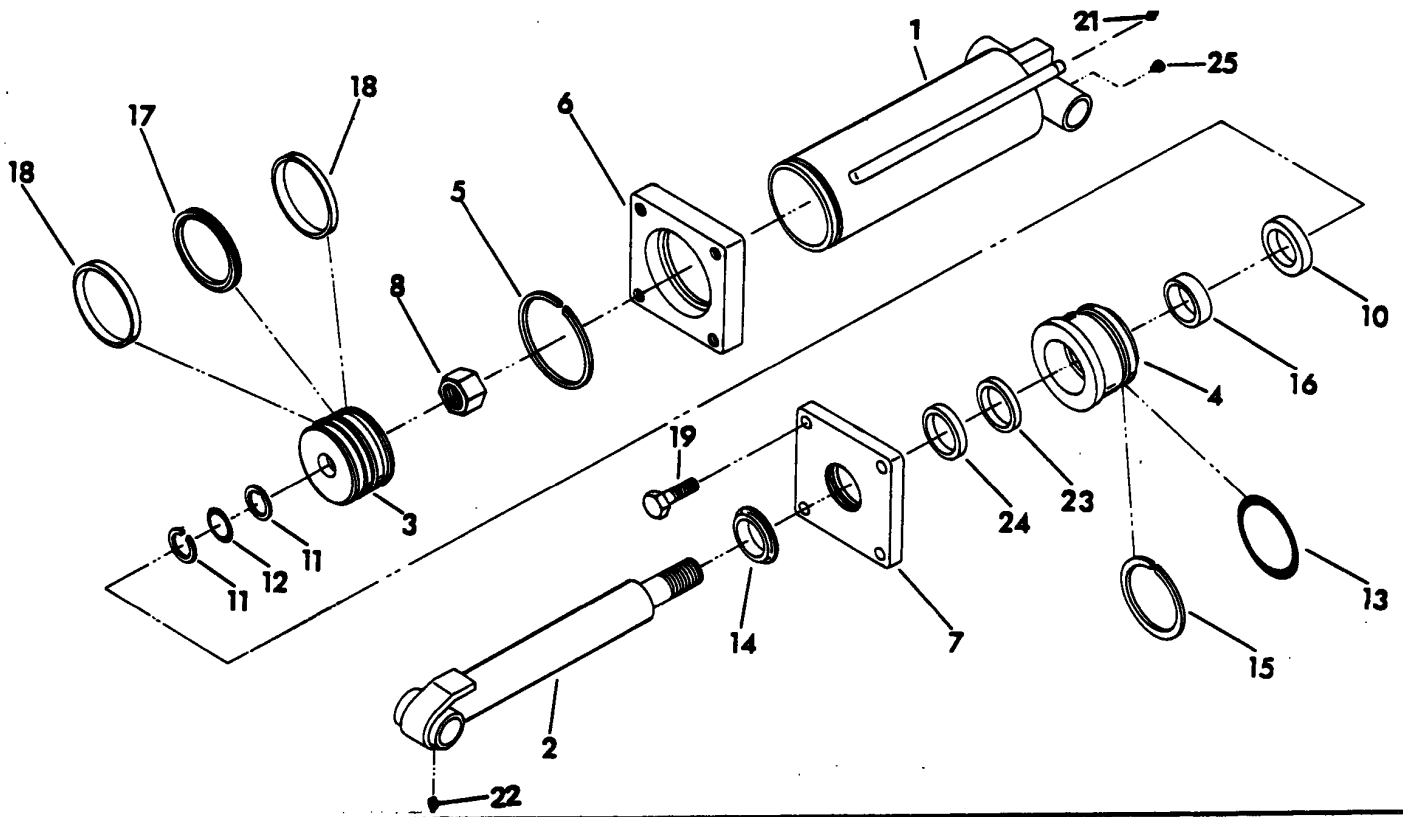
**7049000129**

Revision:

Item	FN	Part	Qty	Description
1	#	NS	1	NOT SERVICED
2	#	NS	1	NOT SERVICED
3	#	NS	1	NOT SERVICED
4	#	NS	1	NOT SERVICED
5	#	NS	2	NOT SERVICED
6	#	NS	2	NOT SERVICED
7	#	NS	1	NOT SERVICED
8	#	NS	1	NOT SERVICED
9	#	NS	1	NOT SERVICED
10	#	NS	1	NOT SERVICED
11	#	NS	1	NOT SERVICED
12	#	NS	1	NOT SERVICED
13		9049101964	1	DIAPHRAGM
14		9049103912	1	PLATE ASSY, DIAPHRAGM
15		9049101966	1	HOUSING, NON-PRESSURE
16		9049101967	1	CLAMP
17		9049103702	2	CAP SCREW,
18		9049103703	2	NUT
19		9049101968	1	GUIDE
20		9049101962	1	BRAKE CHAMBER ASSEMBLY

# SERVICED AS AN ASSEMBLY ONLY

# Manitowoc Cranes



# Manitowoc Cranes

Description

**CYLINDER ASSEMBLY - 5" LOCKOUT**

Assembly No.

**6372000585**

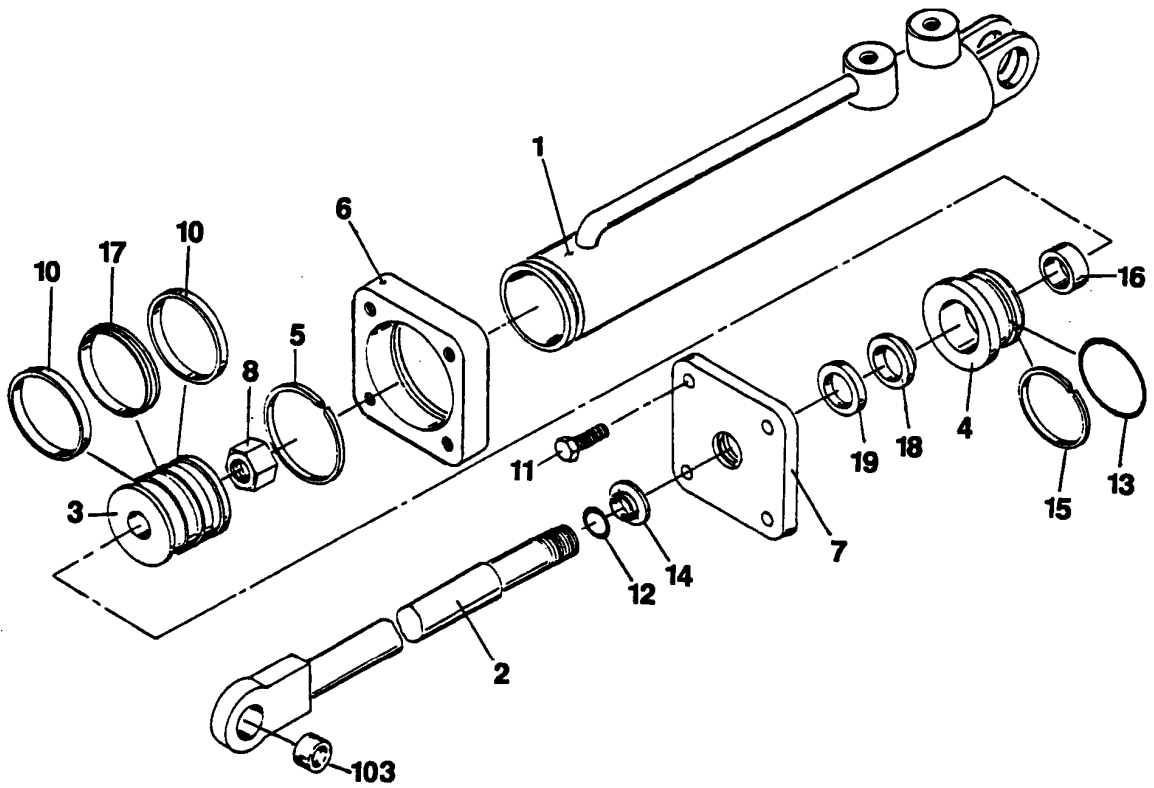
Revision: **F**

Item	FN	Part	Qty	Description
1		6372001375	1	BARREL
2		6810000759	1	SHAFT WELD, CYL
3		6701000085	1	PISTON
4		6372000566	1	HEAD
5		6753000018	1	RING, LOCK
6		6753000036	1	RING, RETAINING
7		6705000220	1	PLATE, HEAD
8		7660341630	1	LOCKNUT 1 1/2" - 12 N.F.
10		6910000552	1	SPACER
11	*	7755325609	2	RING, BACK-UP
12	*	7755325000	1	O-RING
13	*	7754000135	1	O-RING, LOW TEMPERATURE
14	*	7794000015	1	RING, WIPER
15	*	7755425609	1	RING, BACK-UP
16	*	7753000150	1	RING, WEAR
17	*	7753000115	1	RING, GT
18	*	7753000119	2	RING, GT WEAR
19		7105221850	4	CAP SCREW, 3/4" -16 N.F. X 2 1/4" GRADE 5
21		7440000000	1	FITTING, 1/8 STRAIGHT GREASE
22		7440030000	1	FITTING, STRAIGHT GREASE 1/4" N.P.T.
23	*	7794000010	1	SEAL, ROD
24	*	6753000147	1	RING, BACK-UP
25	#	7926000351	1	VALVE, AIR BLEEDER
26	*	9752100079	1	KIT, REPAIR

\* REPAIR KIT AND/OR PART OF KIT

# SERVICED AS AN ASSEMBLY ONLY

# Manitowoc Cranes





# Manitowoc Cranes

Description

**CYLINDER ASSEMBLY - 3" STEER (COMPLETE ASSEMBLY)**

Assembly No.

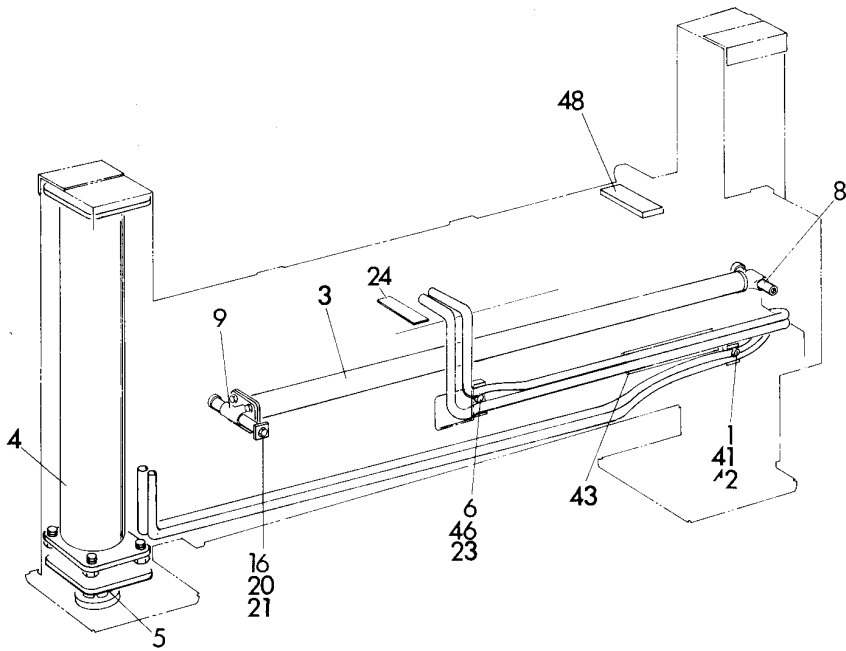
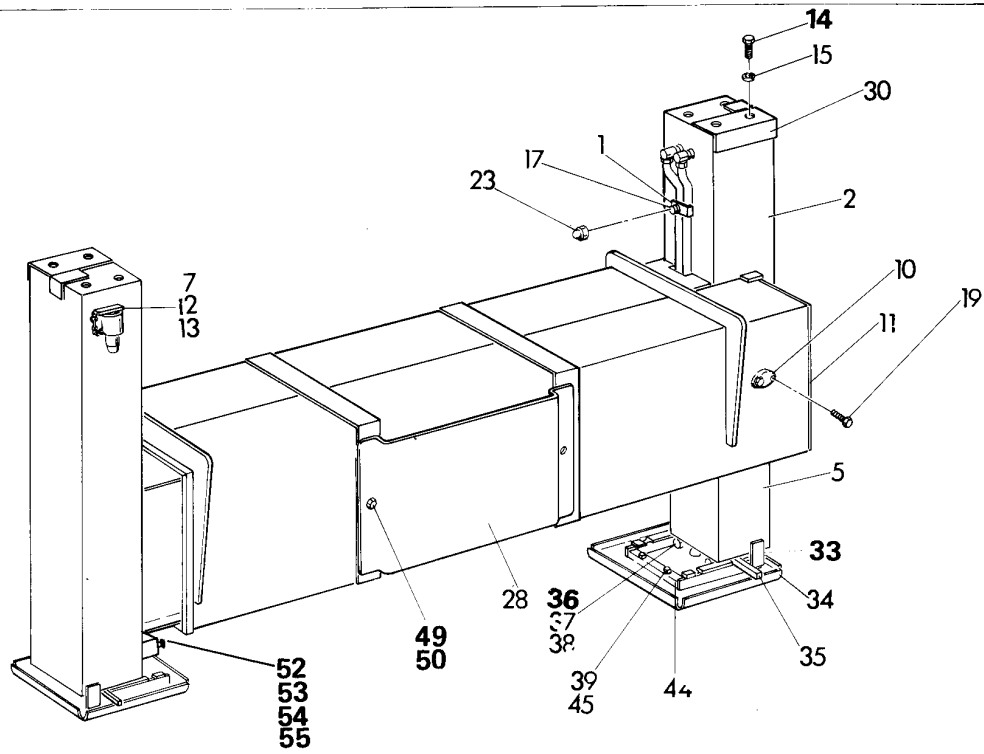
**6372000485**

Revision: **F**

Item	FN	Part	Qty	Description
1		6372001434	1	BARREL
2		6810000897	1	SHAFT ASSEMBLY INCLUDES NBR 103
3		6701000080	1	PISTON, CYLINDER
4		6372000483	1	HEAD, CYLINDER
5		6753000016	1	RING, LOCK
6		6753000021	1	RING, RETAINING
7		6705000105	1	PLATE, HEAD
8		7659000215	1	LOCKNUT
10	*	7753000117	2	RING, WEAR
11		7105181450	4	CAP SCREW, 1/2" -20 N.F. X 1 3/4" GRADE 5
12	*	7755022000	1	O-RING
13	*	7755334000	1	O-RING
14	*	7794000007	1	RING, WIPER
15	*	7755334609	1	RING, BACK-UP
16	*	7753000175	1	RING, WEAR
17	*	7753000113	1	RING, GT
18	*	7794000006	1	SEAL, ROD
19	*	6753000204	1	RING, BACK-UP
103		7199000198	1	BUSHING
104	*	9752100072	0	KIT, REPAIR

\* REPAIR KIT AND/OR PART OF KIT

# Manitowoc Cranes



# Manitowoc Cranes

Description

**OUTRIGGER INSTALLATION**

Assembly No.

**2160100008**

Revision: #

Item	FN	Part	Qty	Description
1		6300000043	4	CLAMP, HOSE
2		2160100009	2	BOX, OUTER AND EXTENSION
3	+	6372000500	2	CYLINDER ASSEMBLY - EXTENSION
4	+	6372001650	2	CYLINDER ASSEMBLY
5		2160100012	2	BOX, OUTRIGGER INNER
6		2160100072	2	CLAMP, HOSE
7		2112100014	2	PIN
8		6810000772	2	SHAFT
9		6810000770	2	SHAFT, HEADED
10		6258000005	2	COVER
11		4160100119	2	PLATE, OUTRIGGER
12		6601000001	2	LINK, LOOP
13		6286000004	2	CHAIN - USE 9286100001 QTY 1 CHAIN 2 FEET
14		7115201450	16	CAP SCREW, 5/8" - 11 N.C. X 1 3/4" GRADE 5
15		7949000259	16	WASHER, 5/8" I.D.
16		6258000067	2	CAP, END
17		7115151050	2	CAP SCREW, 5/16" - 18 N.C. X 1 1/4" GRADE 5
19		7790160853	4	SCREW, SELF-TAPPING 3/8" - 16 N.C. X 1/2"
20		7115160850	4	CAP SCREW, 3/8" - 16 N.C. X 1" GRADE 5
21		7950160050	2	WASHER, LOCK 3/8" I.D.
23		7950150050	4	WASHER, LOCK 5/16" I.D.
24		6705006545	2	PLATE 16 GA
28		4160100139	1	COVER, HOSE
30		6258000098	2	COVER
33		4160100055	4	GUSSET
34		2160100021	2	PAD, OUTRIGGER
35		4160100085	4	LEVER, LATCH

+ SEE FURTHER BREAKDOWN THIS GROUP

# Manitowoc Cranes

Description

**OUTRIGGER INSTALLATION**

Assembly No.

**2160100008**

Revision: #

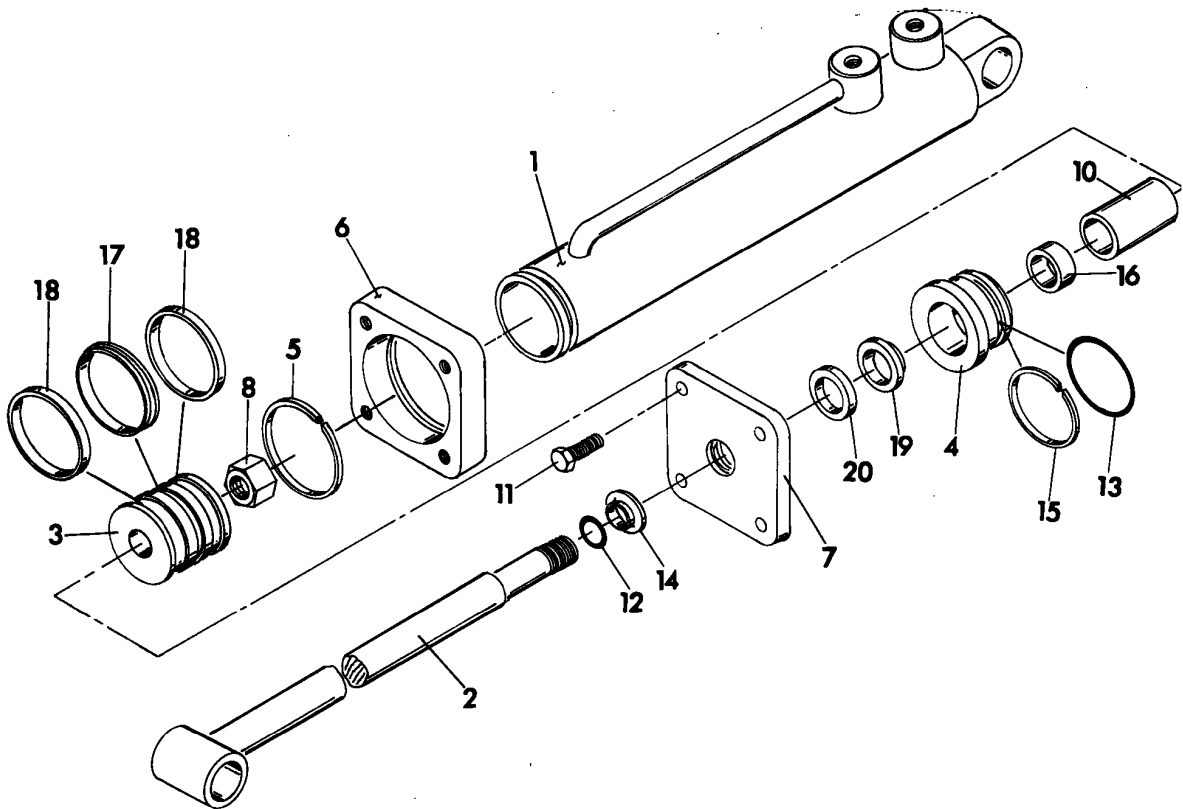
Item	FN	Part	Qty	Description
36		7115162050	4	CAP SCREW, 3/8" - 16 N.C. X 2 1/2" GRADE 5
37		7660160000	4	NUT, HEX 3/8" - 16 N.C.
38		7950160050	4	WASHER, LOCK 3/8" I.D.
39		7950140050	6	WASHER, LOCK 1/4"
41		7660151600	2	LOCKNUT, HEX 5/16" - 18 N.C.
42		7115151250	2	CAP SCREW, 5/16" - 18 N.C. X 1 1/2" GRADE 5
43		6814000110	2	SHEATH, HOSE
44		4160100108	2	BAR, STOP
45		7115140650	6	CAP SCREW, 1/4" - 20 N.C. X 3/4" GRADE 5
46		7660150000	2	NUT, HEX 5/16" - 18 N.C.
47		6671000143	2	PAD, WEAR 1/2" X 2" X 6"
49		7866162140	2	STUD 3/8" - 16 N.C. X 7/8"
50		7660161600	2	LOCKNUT, HEX 3/8" - 16 N.C.
52		4114900021	2	PAD, SIDE WEAR
53		4114900049	2	SPACER, WEAR PAD
54		7660220200	2	NUT, HEX JAM 3/4" - 10 N.C.
55		7115221450	2	CAP SCREW, 3/4" - 10 N.C. X 1 3/4" GRADE 5

# ***Manitowoc Cranes***

Notes

---

# Manitowoc Cranes



# Manitowoc Cranes

Description

**CYLINDER ASSEMBLY - EXTENSION**

Assembly No.

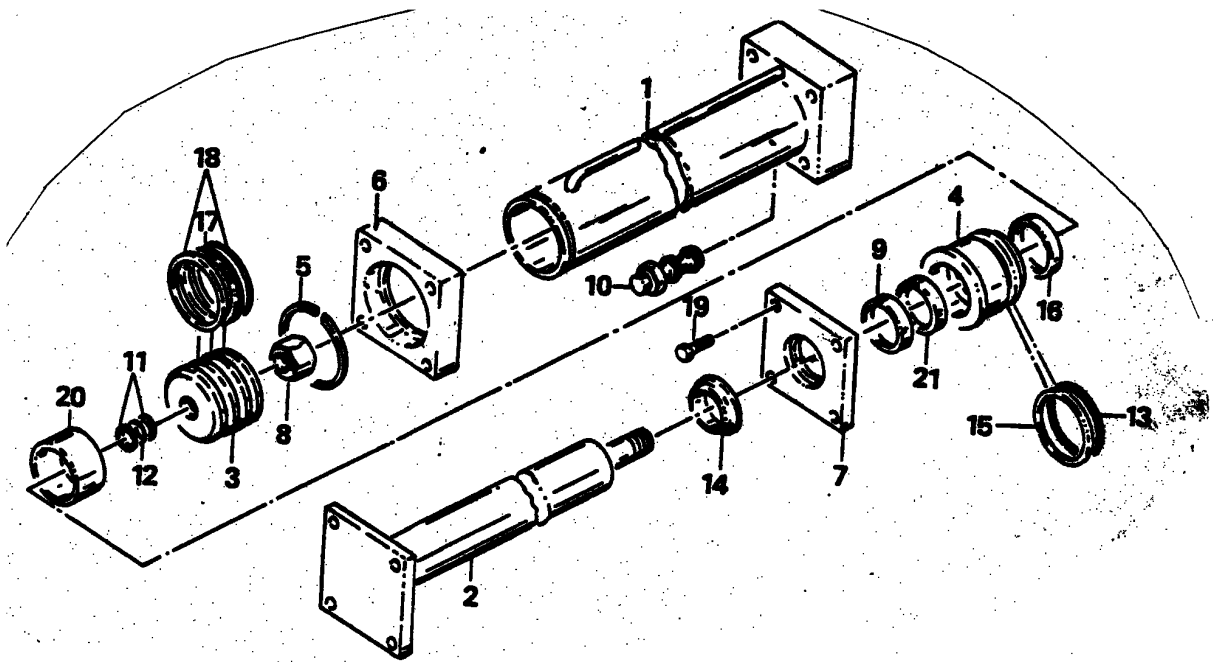
**6372000500**

Revision: **G**

Item	FN	Part	Qty	Description
1		6372001461	1	BARREL
2		6768000175	1	ROD
3		6701000080	1	PISTON, CYLINDER
4		6372000483	1	HEAD, CYLINDER
5		6753000016	1	RING, LOCK
6		6753000021	1	RING, RETAINING
7		6705000105	1	PLATE, HEAD
8		7659000215	1	LOCKNUT
10		6910000521	1	SPACER
11		7105181450	4	CAP SCREW, 1/2" -20 N.F. X 1 3/4" GRADE 5
12	*	7755022000	1	O-RING
13	*	7755334000	1	O-RING
14	*	7794000007	1	RING, WIPER
15	*	7755334609	1	RING, BACK-UP
16	*	7753000175	1	RING, WEAR
17	*	7753000113	1	RING, GT
18	*	7753000117	2	RING, WEAR
19	*	7794000006	1	SEAL, ROD
20	*	6753000204	1	RING, BACK-UP
21	*	9752100072	1	KIT, REPAIR

\* REPAIR KIT AND/OR PART OF KIT

# Manitowoc Cranes





# Manitowoc Cranes

Description  
CYLINDER ASSEMBLY

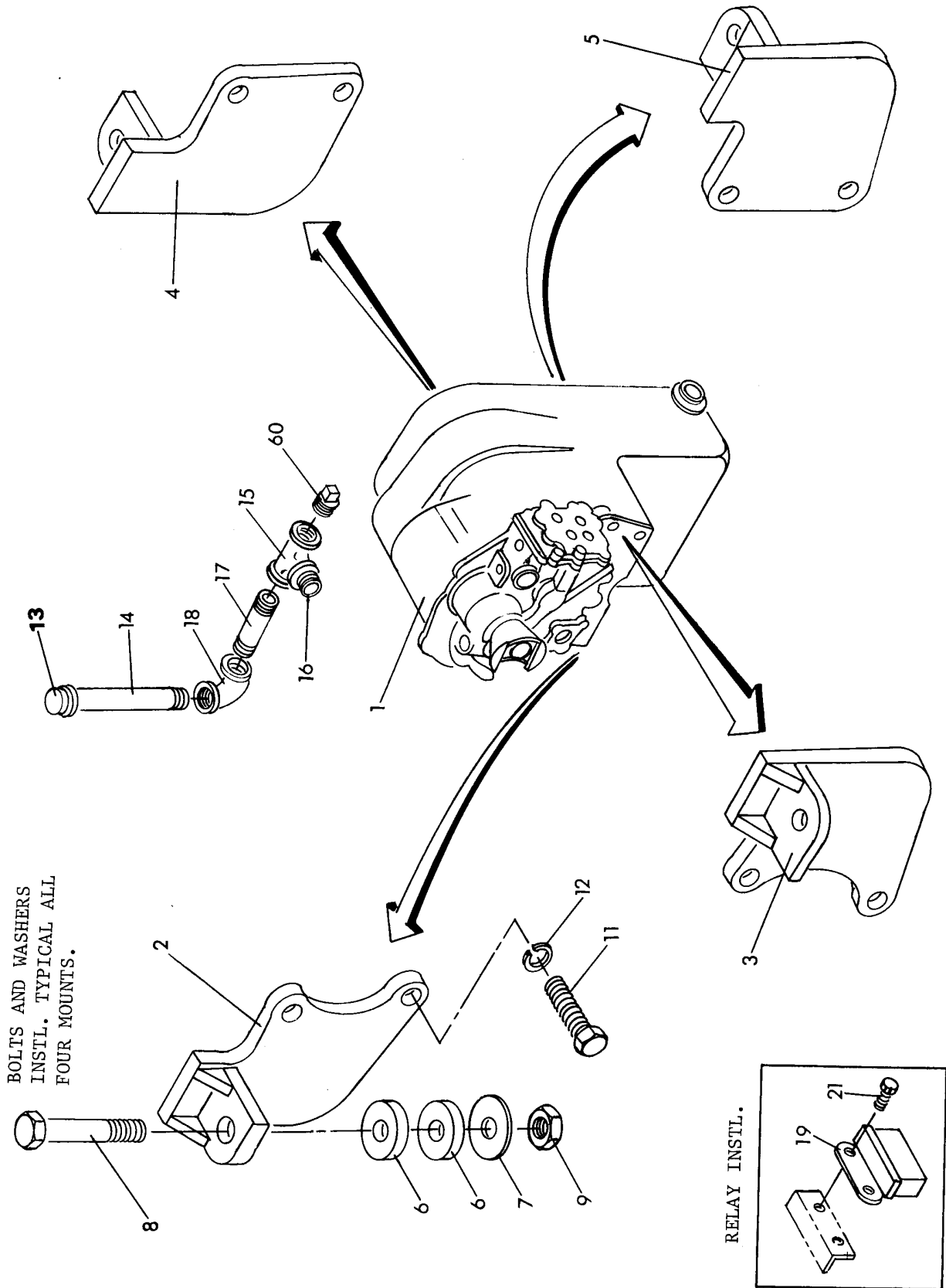
Assembly No.  
**6372001650**  
Revision: **D**

Item	FN	Part	Qty	Description
1		6372001651	1	BARREL
2		6810000768	1	SHAFT
3		6701000138	1	PISTON, CYLINDER
4		6372002046	1	HEAD
5		6753000018	1	RING, LOCK
6		6753000036	1	RING, RETAINING
7		6705000221	1	PLATE, HEAD
8		7659000216	1	NUT, HEX
9	*	6753000145	1	RING, BACK-UP
10	#	7926002359	1	3/8" P.O. CHECK VALVE (W/ HARD INCLUDES THE FOLLOWING PARTS
	#	9752101337	1	KIT, SEAL
11	*	7755325609	2	RING, BACK-UP
12	*	7755325000	1	O-RING
13	*	7754000135	1	O-RING, LOW TEMPERATURE
14	*	7794000022	1	SEAL, SCRAPER
15	*	7755425609	1	RING, BACK-UP
16	*	7753000148	1	RING, WEAR
17	*	7753000440	1	RING, GT
18	*	7753000119	2	RING, GT WEAR
19		7105221850	4	CAP SCREW, 3/4" -16 N.F. X 2 1/4" GRADE 5
20		6768000226	1	SPACER, ROD
21	*	7794000002	1	SEAL, "U" CUP ROD
22	*	9752100241	0	KIT, REPAIR

\* REPAIR KIT AND/OR PART OF KIT

# SERVICED AS AN ASSEMBLY ONLY

# Manitowoc Cranes



-160-8-00129

# Manitowoc Cranes

Description

**TRANSMISSION INSTALLATION**

Assembly No.

**2160800129**

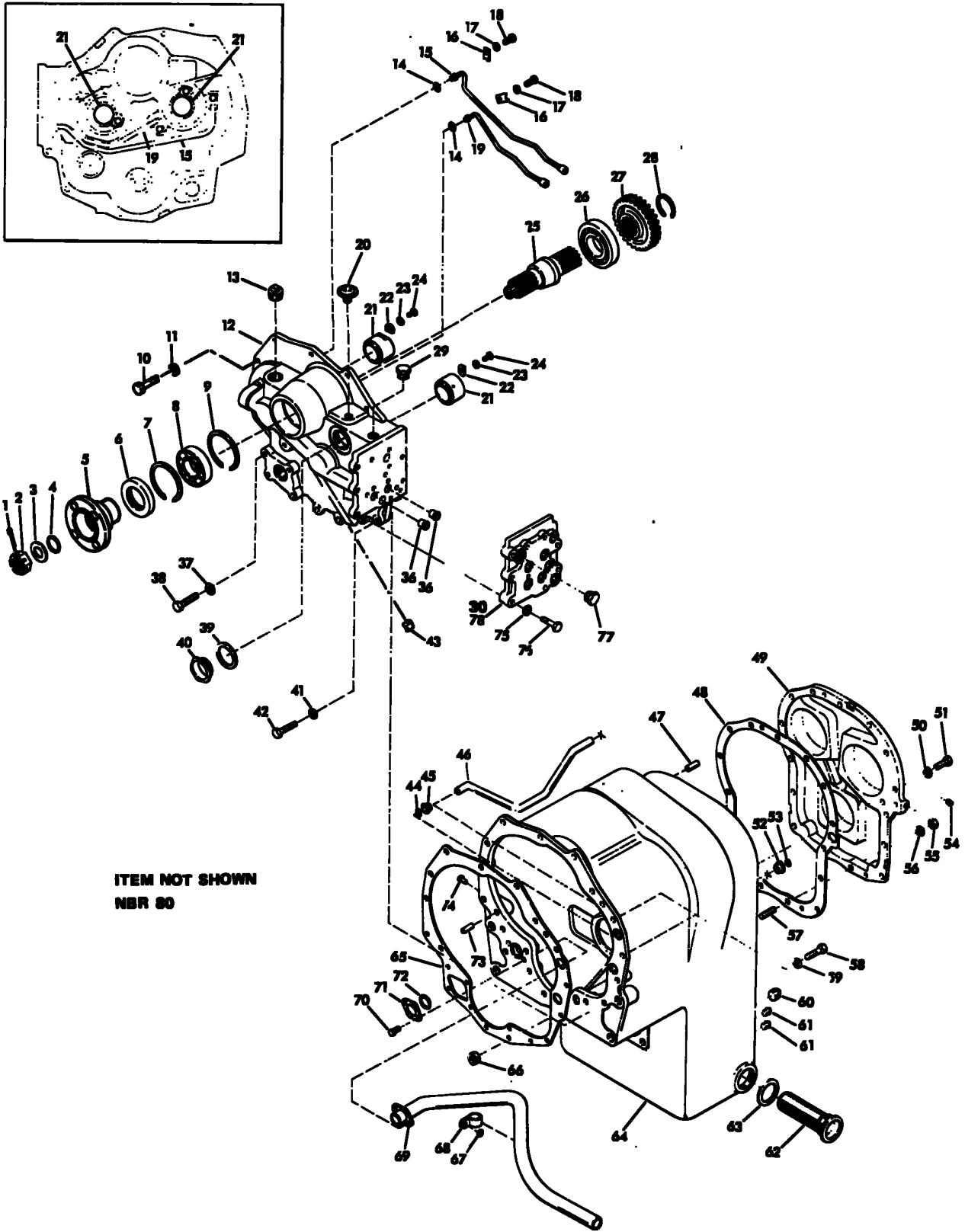
Revision: #

Item	FN	Part	Qty	Description
1	+	7904000019	1	TRANSMISSION ASSEMBLY
1	+	7904000023	1	TRANSMISSION ASSEMBLY
2		2160800187	1	MOUNT, LEFT HAND REAR
3		2160800188	1	MOUNT, RIGHT HAND REAR
4		2160800186	1	MOUNT, RIGHT HAND FRONT
5		2160800185	1	MOUNT, LEFT HAND FRONT
6	#	7638000025	8	MOUNT, CENTER BONDED
7		7949000148	4	WASHER, 5/8" I.D. FLAT
8		7115203650	4	CAP SCREW, 5/8" - 11 N.C. X 4 1/2" GRADE 5
9		7660201600	4	LOCKNUT, HEX 5/8" - 11 N.C.
11		7115221450	8	CAP SCREW, 3/4" - 10 N.C. X 1 3/4" GRADE 5
12		7950220050	8	LOCKWASHER, 3/4" I.D.
13		2160800142	1	DIPSTICK
14		6650060680	1	NIPPLE
15		7888000022	1	TEE
16		6650060140	1	NIPPLE
17		6650060280	1	NIPPLE
18		7444000660	1	ELBOW, 90 DEGREE
19	#	7750000019	1	RELAY
21		7790140653	2	SCREW, SELF-TAPPING 1/4" - 20 N.C. X 3/8"
60		9904101317	1	PLUG, MAGNETIC

+ SEE FURTHER BREAKDOWN THIS GROUP

# SERVICED AS AN ASSEMBLY ONLY

# Manitowoc Cranes



ITEM NOT SHOWN  
NBR 80

# Manitowoc Cranes

Description

**TRANSMISSION ASSEMBLY**

Assembly No.

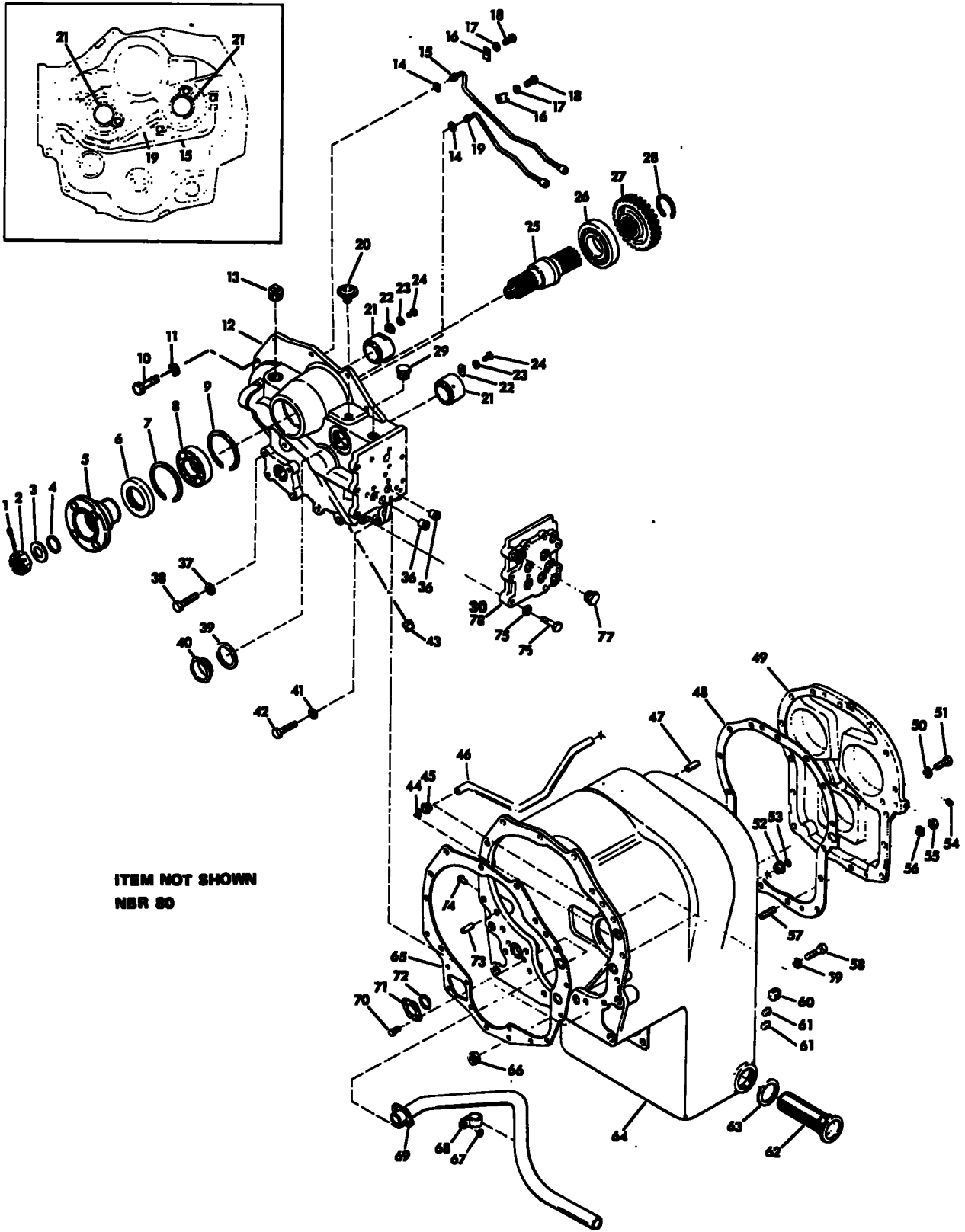
**7904000019**

Revision:

Item	FN	Part	Qty	Description
1	+	7904000019	1	TRANSMISSION ASSEMBLY
2	+	7904000019	1	TRANSMISSION ASSEMBLY
3	+	7904000019	1	TRANSMISSION ASSEMBLY
4	+	7904000019	1	TRANSMISSION ASSEMBLY
5	+	7904000019	1	TRANSMISSION ASSEMBLY

+ SEE FURTHER BREAKDOWN THIS GROUP

# Manitowoc Cranes



ITEM NOT SHOWN  
NBR 80

# Manitowoc Cranes

Description

**TRANSMISSION ASSEMBLY**

Assembly No.

**7904000019**

Revision:

Item	FN	Part	Qty	Description
1		9049100149	1	PIN, COTTER
2		9904100940	1	NUT
3		9904100938	1	WASHER,
4		7755220000	1	O-RING
5		9904100936	1	FLANGE
6		9904101290	1	SEAL,OIL
7		9904101022	1	RING, RETAINING
8		9904101291	1	BEARING, FRONT
9		9904101022	1	RING, RETAINING
10		9049100264	5	SCREW,
11		9049100288	5	WASHER, LOCK
12		9904101292	1	FRONT COVER AND TUBE ASSEMBLY
13		9904101180	1	PLUG
14		7755110000	2	O-RING
15		9904101294	1	TUBE
16		9904101295	2	CLIP
17		9049100287	2	WASHER, LOCK
18		9049100260	2	SCREW,
19		9904101296	1	TUBE
20		9904100986	1	BREATHER, AIR
21		9904101297	2	SLEEVE
22		9904101298	2	LOCK, PLATE
23		9049100287	2	WASHER, LOCK
24		9049100260	2	SCREW,
25		9904101299	1	SHAFT, INPUT
26		9904105321	1	BEARING, REAR
27		9904101301	1	GEAR
28		9904101207	1	RING, RETAINING
29		9904101302	1	PLUG
30		9904105443	1	GASKET
36		9904100993	2	SLEEVE, TUBE
37		9049100288	4	WASHER, LOCK
38		9904101306	4	SCREW,
39		9904101307	1	GASKET

# Manitowoc Cranes

Description

**TRANSMISSION ASSEMBLY**

Assembly No.

**7904000019**

Revision:

Item	FN	Part	Qty	Description
40		9904101308	1	PLUG
41		9049100288	4	WASHER, LOCK
42		9049100266	4	SCREW,
43		9904101309	1	PLUG
44		7755211000	1	O-RING
45		9904100993	1	SLEEVE, TUBE
46		9904101310	1	TUBE
47		9904101311	2	DOWEL
48		9904101312	1	GASKET
49		9904101313	1	COVER
50		9049100288	13	WASHER, LOCK
51		9049100264	13	SCREW,
52		9904100993	1	SLEEVE, TUBE
53		7755211000	1	O-RING
54		9904101314	1	PLUG
55		9904101315	2	NUT
56		9049100288	2	WASHER, LOCK
57		9904101316	2	STUD
58		9049100264	5	SCREW,
59		9049100288	5	WASHER, LOCK
60		9904101317	1	PLUG, MAGNETIC
61		9904101102	2	PLUG
62		9904101318	1	SCREEN
63		9904101307	1	GASKET
64		9904101319	1	CASE ASSEMBLY
65		9904101320	1	GASKET
66		9904101321	1	PLUG
67		9904100996	1	WASHER,
68		9904101322	1	CLIP
69		9904101323	1	TUBE
70		9904101324	2	SCREW,
71		9904101325	1	WASHER,
72		7755216000	1	O-RING
73		9904101326	2	PIN



# Manitowoc Cranes

Description

**TRANSMISSION ASSEMBLY**

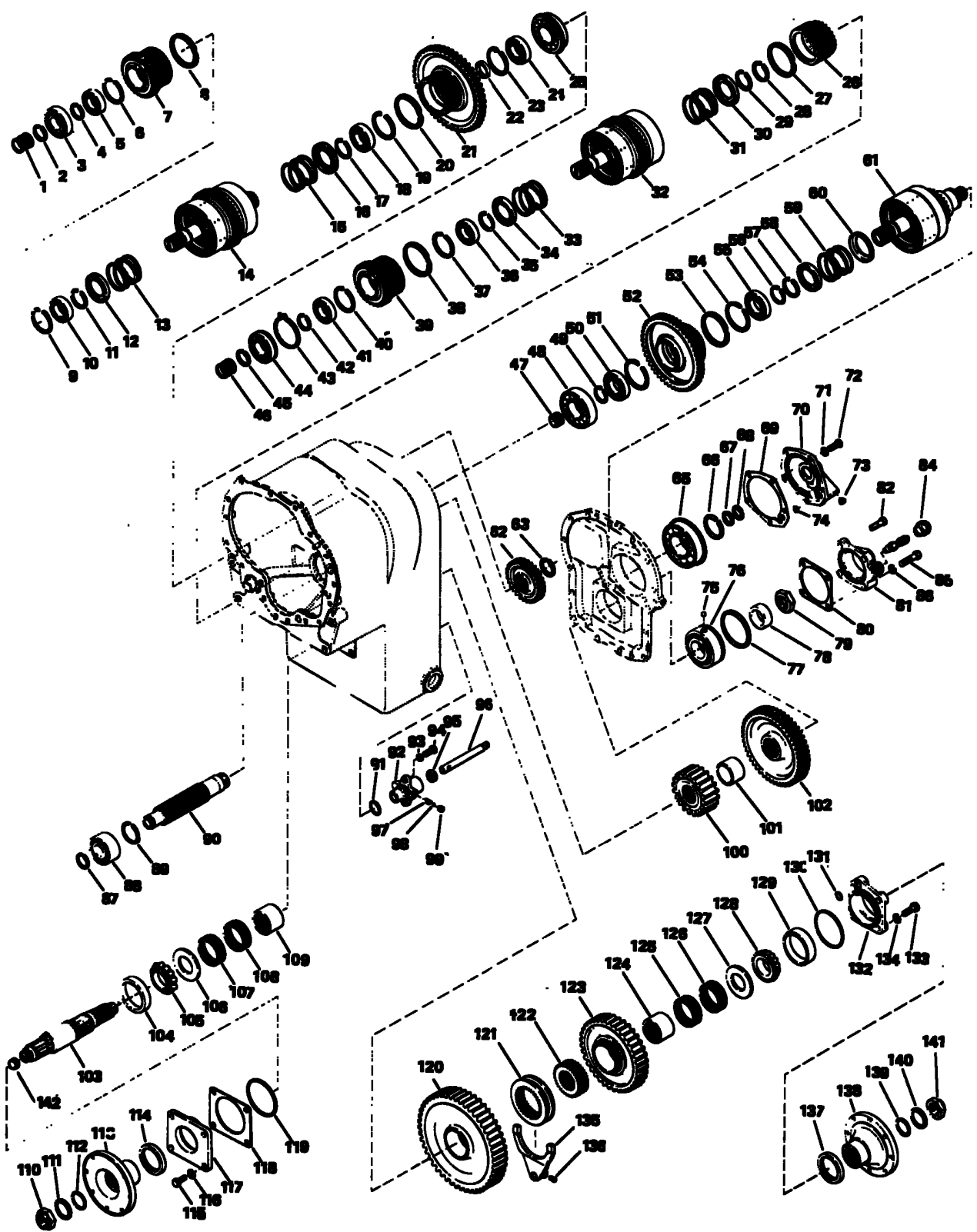
Assembly No.

**7904000019**

Revision:

Item	FN	Part	Qty	Description
74		9904101327	1	RIVET
75		9049100006	9	WASHER, LOCK
76		9904101184	9	SCREW,
77		9904101302	1	PLUG
78		9904105444	1	PLATE
80		9904101331	1	BAFFLE, OIL

# Manitowoc Cranes



# Manitowoc Cranes

Description

**TRANSMISSION ASSEMBLY**

Assembly No.

**7904000019**

Revision:

Item	FN	Part	Qty	Description
1		9904101332	3	RING
2		9904100942	1	RING, RETAINING
3		9904101291	1	BEARING, FRONT
4		9904100942	1	RING, RETAINING
5		9904102281	1	BEARING, GEAR
6		9904101334	1	RING, SNAP
7		9904101335	1	GEAR
8		9904101336	1	RING, BAFFLE
9		9904101334	1	RING, SNAP
10		9904101333	1	BEARING, GEAR
11		9904101337	1	RING, RETAINING
12		9904101338	1	RETAINER, SPRING
13		9904101339	1	SPRING
14		9904101340	1	SHAFT AND DRUM
15		9904101339	1	SPRING
16		9904101338	1	RETAINER, SPRING
17		9904101337	1	RING, RETAINING
18		9904101341	1	BEARING, GEAR
19		9904101342	1	RING, SNAP
20		9904101336	1	RING, BAFFLE
21		9904101343	1	GEAR, 60T
22		9904101344	1	SPACER
23		9904101342	1	RING, SNAP
24		9904102283	1	BEARING
25		9904101345	1	BEARING, GEAR
26		9904101346	1	GEAR, 22T
27		9904101336	1	RING, BAFFLE
28		9904101337	1	RING, RETAINING
29		9904101337	1	RING, RETAINING
30		9904101338	1	RETAINER, SPRING
31		9904101339	1	SPRING
32		9904101347	1	SHAFT AND DRUM
33		9904101339	1	SPRING
34		9904101338	1	RETAINER, SPRING

# Manitowoc Cranes

Description

**TRANSMISSION ASSEMBLY**

Assembly No.

**7904000019**

Revision:

Item	FN	Part	Qty	Description
35		9904101337	1	RING, RETAINING
36		9904101333	1	BEARING, GEAR
37		9904101334	1	RING, SNAP
38		9904101336	1	RING, BAFFLE
39		9904101335	1	GEAR
40		9904101334	1	RING, SNAP
41		9904102281	1	BEARING, GEAR
42		9904100942	1	RING, RETAINING
43		9904101348	1	RING, SNAP
44		9904101349	1	BEARING, FRONT
45		9904100942	1	RING, RETAINING
46		9904101332	3	RING
47		9904101350	1	BEARING, PILOT
48		9904101351	1	BEARING, GEAR
49		9904101352	1	RING, RETAINING
50		9904101353	1	BEARING, GEAR
51		9904101354	1	RING, SNAP
52		9904101355	1	GEAR, LOW
53		9904101336	1	RING, BAFFLE
54		9904101354	1	RING, SNAP
55		9904101353	1	BEARING, GEAR
56		9904101352	1	RING, RETAINING
57		9904101337	1	RING, RETAINING
58		9904101338	1	RETAINER, SPRING
59		9904101339	1	SPRING
60		9904101356	1	RETAINER, SPRING
61		9904101357	1	SHAFT AND DRUM
62		9904101358	1	GEAR
63		9904101359	1	RING, SNAP
65		9904101360	1	BEARING, REAR
66		9904101361	1	RING, SNAP
67		9904101362	1	RING
68		9904101362	1	RING
69		9904101363	1	GASKET

# Manitowoc Cranes

Description

**TRANSMISSION ASSEMBLY**

Assembly No.

**7904000019**

Revision:

Item	FN	Part	Qty	Description
70		9904101364	1	CAP, REAR BEARING
71		9049100006	5	WASHER, LOCK
72		9904101365	5	SCREW,
73		9904101314	1	PLUG
74		7755112000	1	O-RING
75		9904101367	1	BALL, LOCK
76		9904101368	1	BEARING, REAR
77		9904101369	1	WASHER,
78		9904101370	1	SPACER
79		9904101371	1	NUT
80		9904101372	1	GASKET
81		9904101373	1	CAP, BEARING
82		9904101374	3	CAP SCREW
84		9904101375	1	PLUG
85		9904100273	1	CAP SCREW,
86		9049100146	4	WASHER, LOCK
87		9904100942	1	RING, RETAINING
88		9904101377	1	BEARING, FRONT
89		9904101378	1	WASHER,
90		9904101379	1	SHAFT, IDLER
91		7755220000	1	O-RING
92		9904101380	1	SUPPORT, RAIL
93		9049100006	2	WASHER, LOCK
94		9904101365	2	SCREW,
95		9904101051	1	SEAL,OIL
96		9904101381	1	RAIL
97		9904101050	1	SPRING
98		9904101049	1	BALL
99		9049100297	1	PLUG
100		9904101382	1	GEAR
101		9904101383	1	SPACER
102		9904102137	1	GEAR
103		9904101385	1	SHAFT ASSEMBLY
104		9904101386	1	CUP, BEARING

# Manitowoc Cranes

Description

**TRANSMISSION ASSEMBLY**

Assembly No.

**7904000019**

Revision:

Item	FN	Part	Qty	Description
105		9904101387	1	CONE, BEARING
106		9904101388	1	SPACER
107		9904101389	1	BEARING, GEAR
108		9904101389	1	BEARING, GEAR
109		9904101390	1	RACE, BEARING
110		9904101391	1	NUT
111		9904101392	1	WASHER
112		7755328000	1	O-RING
113		9904104014	1	FLANGE
114		9904101628	1	SEAL,OIL
115		1000000000	4	MAJOR "SPECIAL" LEGEND
116		1000000000	4	MAJOR "SPECIAL" LEGEND
117		1000000000	1	MAJOR "SPECIAL" LEGEND
118		9904101398	1	SHIM, .020
119		7755242000	1	O-RING
120		9904101400	1	GEAR
121		9904101401	1	HUB, SHIFT
122		9904101402	1	SLEEVE
123		9904101403	1	GEAR
124		9904101390	1	RACE, BEARING
125		9904101389	1	BEARING, GEAR
126		9904101389	1	BEARING, GEAR
127		9904101388	1	SPACER
128		7069000078	1	CONE, BEARING
129		7794000100	1	CUP, BEARING
130		7755246000	1	O-RING
131		7755117000	1	O-RING
132		9904101408	1	CAP, REAR BEARING
133		9049100272	4	SCREW,
134		9049100146	4	WASHER, LOCK
135		9904101409	1	FORK, SHIFT
136		9904101044	1	SCREW, LOCK
137		9904101410	1	SEAL,OIL
138		9904104014	1	FLANGE

# Manitowoc Cranes

Description

**TRANSMISSION ASSEMBLY**

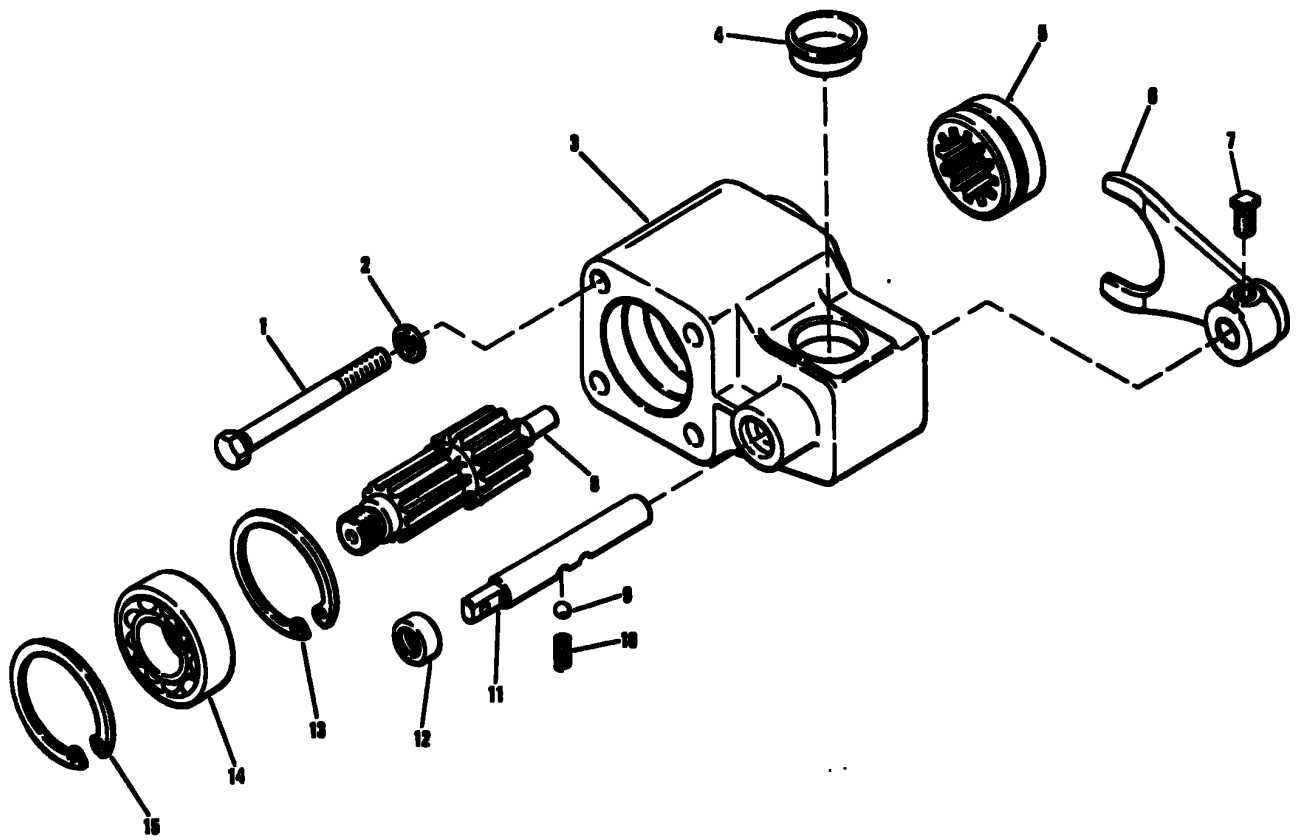
Assembly No.

**7904000019**

Revision:

Item	FN	Part	Qty	Description
139		7755327000	1	O-RING
140		9904101392	1	WASHER
141		9904101391	1	NUT
142		9904100967	1	BUSHING

# Manitowoc Cranes





# Manitowoc Cranes

Description

**TRANSMISSION ASSEMBLY**

Assembly No.

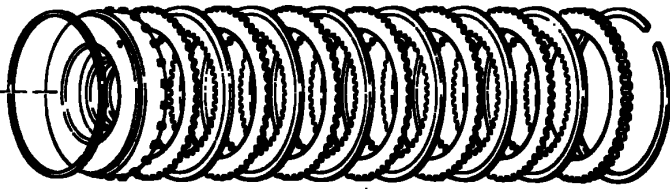
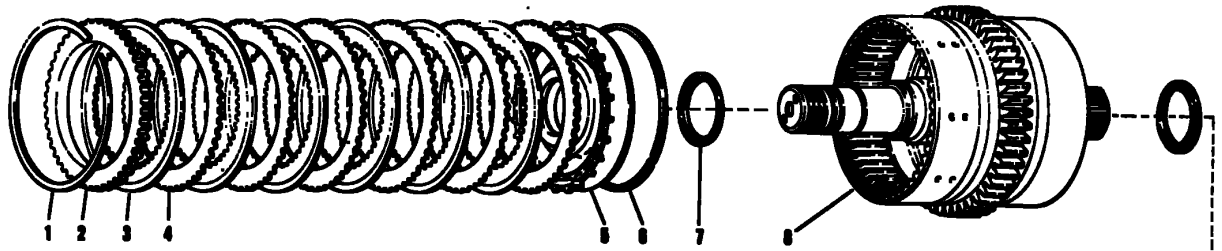
**7904000019**

Revision:

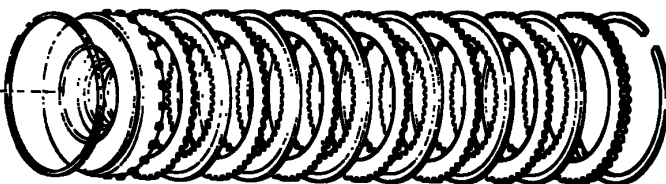
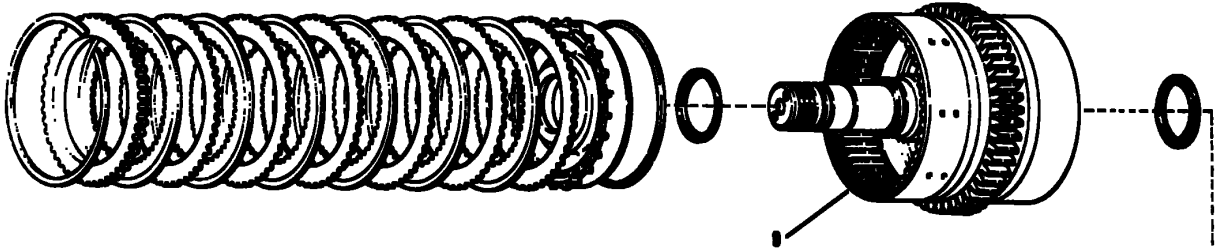
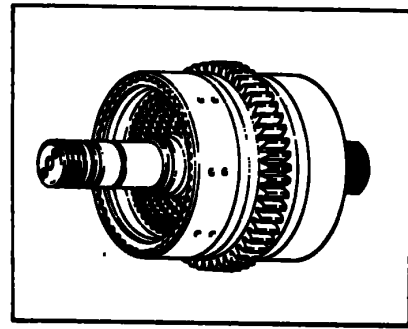
Item	FN	Part	Qty	Description
1		9904101419	4	CAP SCREW,
2		9049100146	4	WASHER, LOCK
3		9904101420	1	HOUSING
4		9904101047	1	PLUG
5		9904101421	1	HUB, SHIFT
6		9904101422	1	FORK, SHIFT
7		9904101044	1	SCREW, LOCK
8		9904101423	1	SHAFT
9		9904101049	1	BALL
10		9904101050	1	SPRING
11		9904101424	1	RAIL
12		9904101051	1	SEAL,OIL
13		9904101425	1	RING, SNAP
14		9049101214	1	BEARING
15		9904101425	1	RING, SNAP

# Manitowoc Cranes

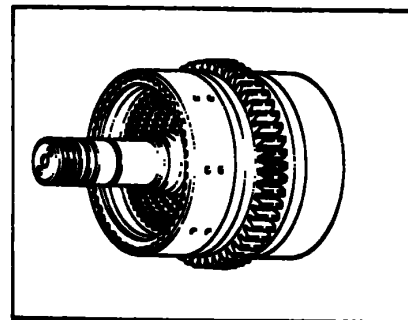
## REVERSE & 3rd, FORWARD & 2nd CLUTCH



**REVERSE & 3RD CLUTCH GROUP (3 SPEED)**



**FORWARD & 2ND CLUTCH GROUP (3 SPEED)**



# Manitowoc Cranes

Description

**TRANSMISSION ASSEMBLY**

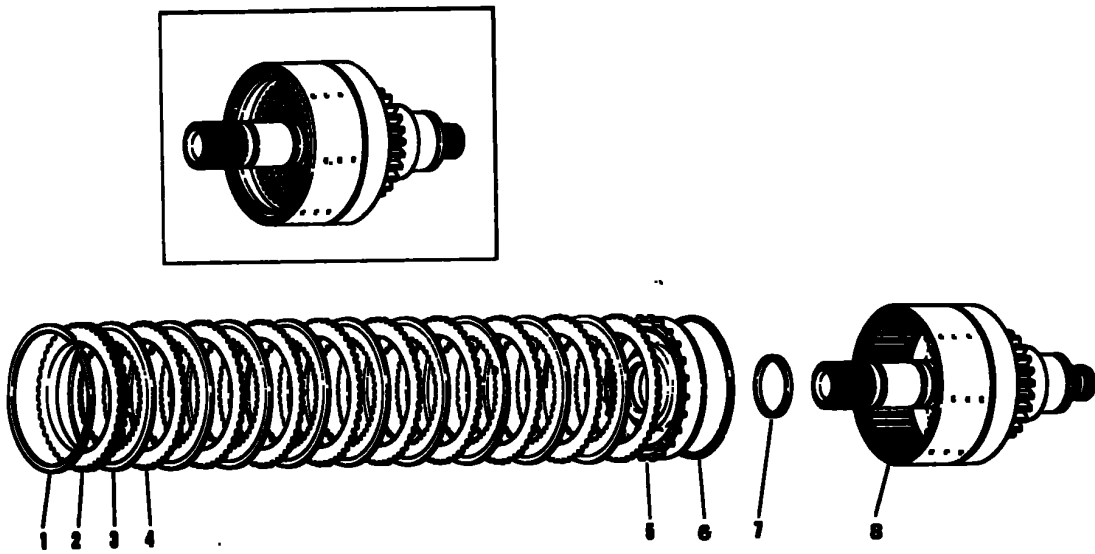
Assembly No.

**7904000019**

Revision:

Item	FN	Part	Qty	Description
1		9904101411	4	RING, RETAINING
2		9904101412	4	PLATE, END
3		9904101413	24	DISC, CLUTCH
4		9904101414	24	DISC, CLUTCH
5		9904101415	4	PISTON, CLUTCH
6		9904101416	4	RING, SEAL
7		9904101417	4	RING, SEAL
8		9904101340	1	SHAFT AND DRUM
9		9904101347	1	SHAFT AND DRUM

# Manitowoc Cranes



**LOW CLUTCH GROUP**

# Manitowoc Cranes

Description

**TRANSMISSION ASSEMBLY**

Assembly No.

**7904000019**

Revision:

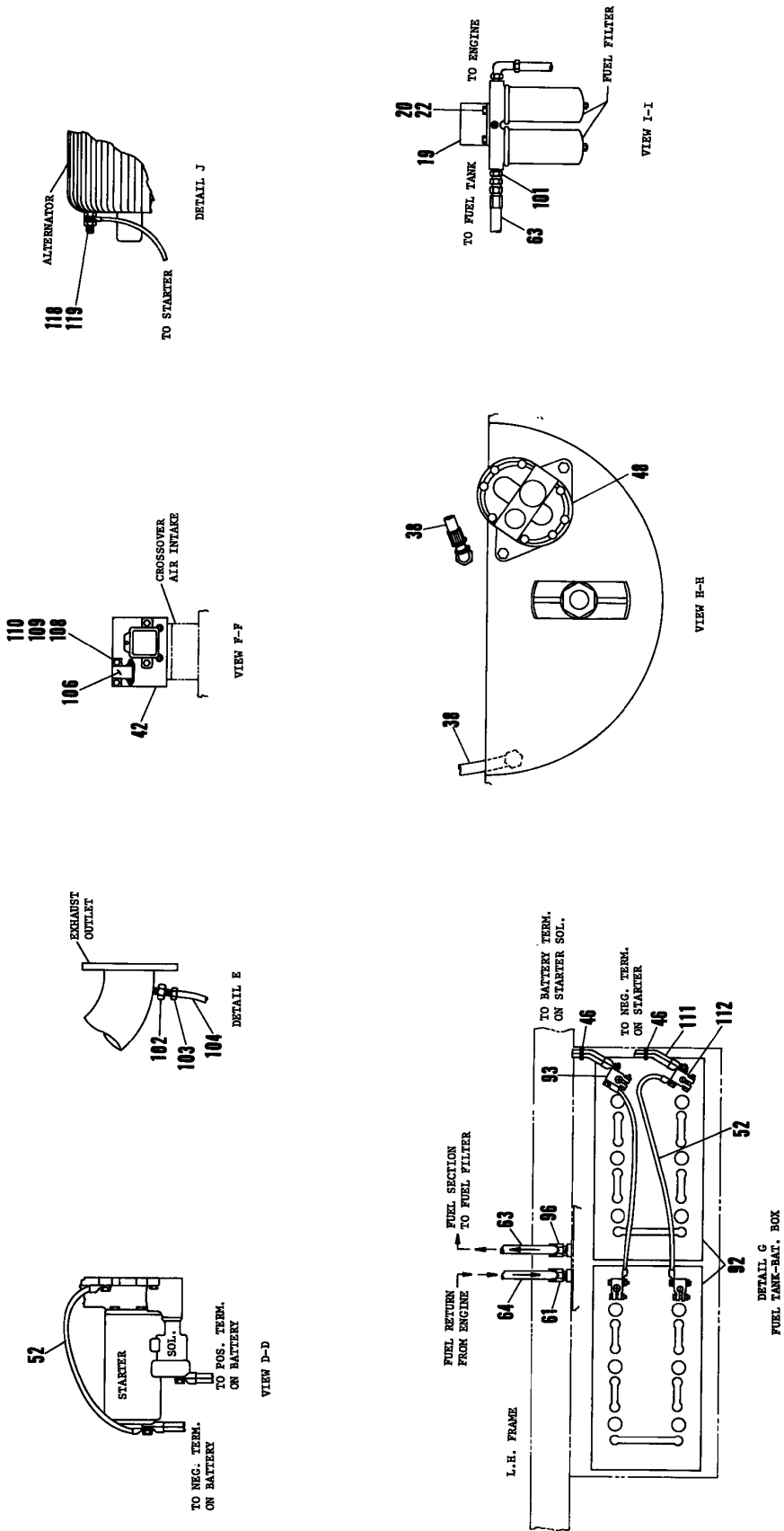
Item	FN	Part	Qty	Description
1		9904101411	1	RING, RETAINING
2		9904101412	1	PLATE, END
3		9904101418	9	DISC, CLUTCH
4		9904101414	9	DISC, CLUTCH
5		9904101415	1	PISTON, CLUTCH
6		9904101416	1	RING, SEAL
7		9904101417	1	RING, SEAL
8		9904101357	1	SHAFT AND DRUM

# ***Manitowoc Cranes***

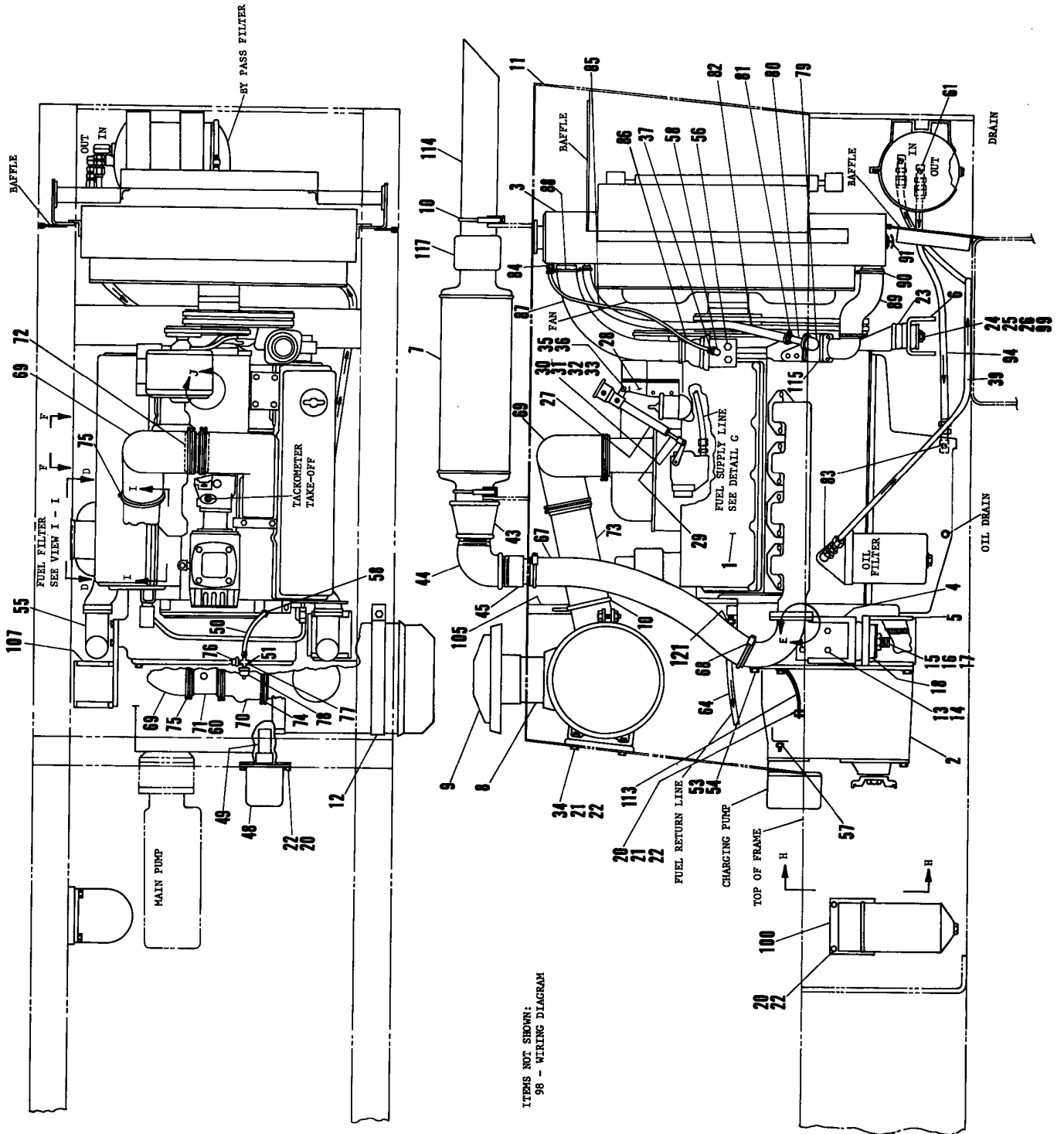
Notes

---

# Manitowoc Cranes



# Manitowoc Cranes





# Manitowoc Cranes

<u>Description</u> <b>ENGINE INSTALLATION - CUMMINS</b>				<u>Assembly No.</u> <b>6414000079</b> Revision:
Item	FN	Part	Qty	Description
2	+	7356000009	1	TORQUE CONVERTER ASSEMBLY
3	+	2160800031	1	RADIATOR AND OIL COOLER INSTALLATION (NOT AVAILABLE AS ASSEMBLY)
4		2160800076	1	BRACKET, MOUNTING
5		2162100003	2	BRACKET, REAR ENGINE MOUNTING
6		6869000021	1	SUPPORT WELD, MOUNT - MOTOR
7		7642000006	2	MUFFLER
8	+	2160800197	1	CLEANER ASSEMBLY - AIR
9		7535000025	1	HOOD, AIR INLET
10		7300000047	5	CLAMP, MUFFLER
11	+	2160800230	1	ENGINE HOOD AND GRILL ASSEMBLY
12		7056000004	2	BAND, AIR CLEANER MOUNTING
13		7115181250	8	CAP SCREW, 1/2" - 13 N.C. X 1 1/2" GRADE 5
14		7950180050	8	WASHER, LOCK 1/2" I.D.
15		7115223650	2	CAP SCREW, 3/4" - 10 N.C. X 4 1/2" LONG GRADE 5
16		7660221600	2	LOCKNUT, HEX 3/4" - 10 N.C.
17		6949000147	2	WASHER, SPECIAL
18	#	7638000024	4	MOUNT, CENTER BONDED
19		6030000554	1	ANGLE
20		7115160850	11	CAP SCREW, 3/8" - 16 N.C. X 1" GRADE 5
21		7660160000	6	NUT, HEX 3/8" - 16 N.C.
22		7950160050	11	WASHER, LOCK 3/8" I.D.
23	#	7638000025	2	MOUNT, CENTER BONDED
24		7949000148	2	WASHER, 5/8" I.D. FLAT
25		7105203250	1	CAP SCREW, 5/8" - 18 N.F. X 4" GRADE 5
26		7660200038	1	NUT, HEX 5/8" - 18 N.F.

+ SEE FURTHER BREAKDOWN THIS GROUP

# SERVICED AS AN ASSEMBLY ONLY

# Manitowoc Cranes

Description

**ENGINE INSTALLATION - CUMMINS**

Assembly No.

**6414000079**

Revision:

Item	FN	Part	Qty	Description
27	+	7372000303	1	CYLINDER ASSEMBLY - THROTTLE
28		6184000457	1	MOUNTING BRACKET
29		6865142271	1	ROD, ADJUSTING
30		7660140030	1	NUT, HEX 1/4" - 28 N.F.
31		7308000042	1	YOKE
32		7690001610	1	PIN, COTTER 1/16" X 1"
33		7690141200	1	PIN, CLEVIS 1/4" X 3/4"
34		7115161050	4	CAP SCREW, 3/8" - 16 N.C. X 1 1/4" GRADE 5
35		7542310806	1	HOSE ASSY, USE AS REQUIRED 1/2" X 108"
36		7690051210	1	PIN, COTTER 1/8" X 3/4"
37		7649000031	1	NIPPLE, HOSE
38	+	2160800211	1	OIL PRESSURE CHECK POINT INSTALLATION - CLUTCH/LUB (NOT AVAILABLE AS ASSEMBLY)
39		7542106005	1	HOSE ASSY, USE AS REQUIRED 5/16" I.D. X 60"
42		4160800209	1	PLATE, MOUNTING
43		7443000041	2	FITTING, REDUCER
44		7444242470	2	ELBOW
45		7013000112	2	ADAPTER, MUFFLER
46		7850000064	8	TIE, CABLE (NATURAL)
48	+	7722000035	1	PUMP ASSEMBLY - STEER
49		7013000103	1	ADAPTER, PUMP DRIVE
50		7542001201	1	HOSE ASSY, USE AS REQUIRED 3/16" I.D. X 12"
51		7444010010	1	PLUG, PIPE 1/8" N.P.T.
52		6246000354	3	CABLE, BATTERY
53		7115161050	12	CAP SCREW, 3/8" - 16 N.C. X 1 1/4" GRADE 5

+ SEE FURTHER BREAKDOWN THIS GROUP

# Manitowoc Cranes

Description

**ENGINE INSTALLATION - CUMMINS**

Assembly No.

**6414000079**

Revision:

Item	FN	Part	Qty	Description
54		7950160020	12	WASHER, LOCK 3/8" I.D.
55		2160800035	2	CONNECTOR, EXHAUST
56		7352000009	1	SENDER, TEMPERATURE
57		7352000038	1	SENDER, OIL TEMPERATURE
58		7444010170	2	ELBOW, 90 DEGREE STREET
60		7444020011	1	PLUG, PIPE
61		7445080604	3	ADAPTER, SWIVEL
63		7542310806	1	HOSE ASSY, USE AS REQUIRED 1/2" X 108"
64		7542210011	1	HOSE ASSY, USE AS REQUIRED 3/32" X 100"
67		6543000287	2	HOSE, METAL
68		7300000038	4	CLAMP, MUFFLER
69		7013000071	3	ADAPTER, RUBBER
70		7734000030	1	REDUCER, HUMP
71		6910001245	1	TUBE
72		6200320424	1	TUBE
73		6910000427	1	TUBE
74		7300000044	2	CLAMP, HOSE
75		7300000018	14	CLAMP 4 1/2"
76		7872000107	1	SWITCH, PRESSURE
77		2170800071	1	BRACKET
78		7352000016	1	UNIT, SENDING (OIL)
79		7444060670	1	FITTING, 90 DEGREE ELBOW
80		6650060241	1	NIPPLE, PIPE
81		7300000006	2	CLAMP, HOSE
82		6543000362	1	HOSE - USE 9543100004 QTY 1 HOSE 44"
83		7445060604	2	ADAPTER, SWIVEL
84		7649000004	2	NIPPLE, HOSE
85		7543000078	1	HOSE, RADIATOR
86		7300000040	2	CLAMP, HOSE 29/32" I.D.

# Manitowoc Cranes

Description

**ENGINE INSTALLATION - CUMMINS**

Assembly No.

**6414000079**

Revision:

Item	FN	Part	Qty	Description
87		7543000077	1	HOSE, RADIATOR
88		7300000020	2	CLAMP, 2 1/2" MAX HOSE
89		6543000260	1	HOSE, RADIATOR
90		7300000035	2	CLAMP, HOSE 1 13/16" TO 2 3/4"
91		7926000014	1	VALVE-DRAIN COCK
92		7064000014	2	BATTERY
93		7892000054	2	TERMINAL, BATTERY CABLE
94		7542103205	1	HOSE ASSY, USE AS REQUIRED
96		7445080804	1	ELBOW, 90 DEGREE
98		6294000879	1	WIRING DIAGRAM
99		7950200050	1	WASHER, 5/8" I.D. LOCK
100	+	7437000038	1	FILTER ASSEMBLY - OIL
101		7445100803	1	ADAPTER, 90 DEGREE SWIVEL INCLUDES THE FOLLOWING PARTS
		7755910002	1	O-RING
102		7364000399	2	CONNECTOR, MALE
103		7659000084	2	NUT
104		6911081441	2	TUBING, COPPER
105		4160800240	1	PLATE
106	#	7750000005	1	SOLENOID, STARTER
107		2160800157	1	BRACKET, MOUNTING
108		7111140610	4	SCREW, MACHINE 1/4" - 20 N.C. X 3/4" GRADE 1
109		7660140000	4	NUT, HEX 1/4" - 20 N.C.
110		7950140050	4	WASHER, LOCK 1/4"
111		6246000287	4	CABLE, BATTERY 109.5"
112		7892000053	2	TERMINAL, BATTERY CABLE
113		7850000046	1	STRAP, GROUND
114		6418000023	2	EXTENSION, MUFFLER
115		4158800078	1	SPACER, WATER INLET
117		7444002844	2	COUPLING
118		7660121100	1	NUT, HEX 7/32" -20 N.C.

+ SEE FURTHER BREAKDOWN THIS GROUP

# SERVICED AS AN ASSEMBLY ONLY

# Manitowoc Cranes

Description

**ENGINE INSTALLATION - CUMMINS**

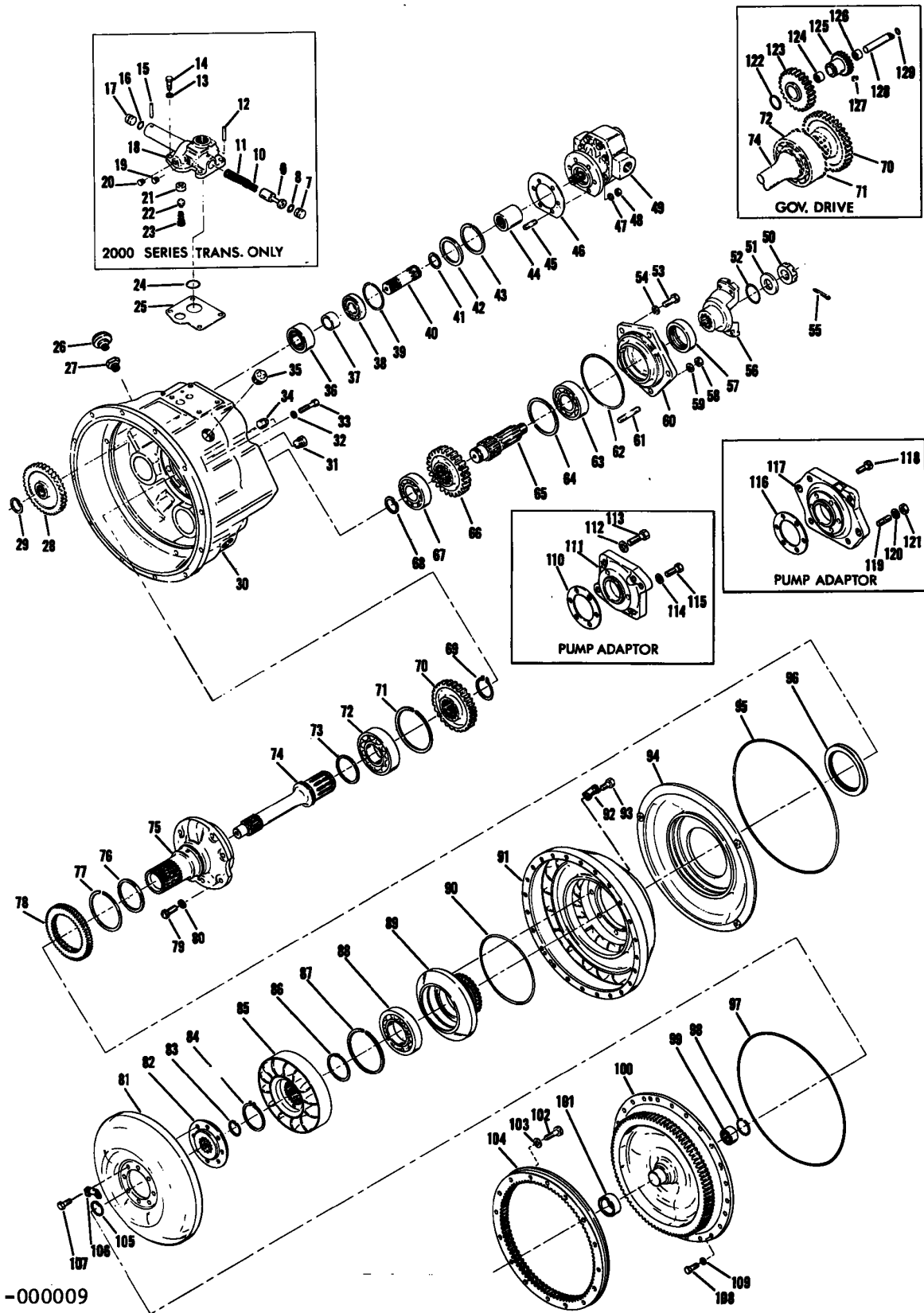
Assembly No.

**6414000079**

Revision:

Item	FN	Part	Qty	Description
119		<b>7950120050</b>	1	GRADE A LOCKWASHER 7/32" I.D.
121		<b>7445060889</b>	1	ADAPTER, SWIVEL

# Manitowoc Cranes



# Manitowoc Cranes

Description

**TORQUE CONVERTER ASSEMBLY**

Assembly No.

**735600009**

Revision:

Item	FN	Part	Qty	Description
7		9904101092	1	STOP
8		7755113000	1	O-RING
9		9904101600	1	PISTON
10		9904101601	1	SPRING
11		9904101602	1	SPRING
12		9904101603	1	PIN, ROLL
13		9904102266	4	SCREW AND LOCKWASHER
15		9904101603	1	PIN, ROLL
16		7755113000	1	O-RING
17		9904101092	1	STOP
18		9904101604	1	VALVE, REGULATOR INCLUDES NBR 7-12,15-17, AND 21 (240-280 PSI)
19		9904101073	1	PLUG INCLUDES THE FOLLOWING PARTS
		9904103599	1	PLUG
		9904109349	1	O-RING
20		9904101073	1	PLUG INCLUDES THE FOLLOWING PARTS
		9904103599	1	PLUG
		9904109349	1	O-RING
21		9904101605	1	SEAT
22		9904101606	1	PLUNGER
23		9904101607	1	SPRING
24		7755216000	1	O-RING
25		9904101179	1	GASKET
27		9904102265	1	BREATHER INCLUDES NBR 26
28		9904101181	3	GEAR
29		9904101182	3	RING, SNAP
30		9904101183	1	HOUSING, CONVERTER INCLUDES THE FOLLOWING PARTS
		9904107857	1	PLUG, CENTER
31		9904101073	1	PLUG INCLUDES THE FOLLOWING PARTS
		9904103599	1	PLUG
		9904109349	1	O-RING
32		7950160050	3	WASHER, LOCK 3/8" I.D.

# Manitowoc Cranes

Description

**TORQUE CONVERTER ASSEMBLY**

Assembly No.

**735600009**

Revision:

Item	FN	Part	Qty	Description
33		9904101184	3	SCREW,
34		9904101084	1	PLUG
35		9904102361	4	PLUG
36		9904101608	2	BEARING ASSY.
36		9904101185	1	BEARING ASSY.
37		9904101609	2	SPACER, DRIVE S
37		9904101186	1	SPACER, SHAFT
38		9904101187	3	BEARING
39		9904101188	3	RING, SNAP
40		9904101189	2	SHAFT
40		9904101627	1	SHAFT
41		9904101190	3	RING, RETAINING
42		9904101191	3	WASHER,
43		9904101192	3	RING, SNAP
44		9904101193	1	SLEEVE
45		9904102266	3	SCREW AND LOCKWASHER
46		9904101195	1	GASKET
47		NSS	0	NOT SERVICED SEPARATELY
48		NSS	0	NOT SERVICED SEPARATELY
49		9904101197	1	PUMP, CHARGING
50		9904102360	1	NUT
51		9904100938	1	WASHER,
52		7755220000	1	O-RING
53		9049100264	3	SCREW,
54		9049100288	3	WASHER, LOCK
55		NSS	0	NOT SERVICED SEPARATELY
56		9904100936	1	FLANGE
57		9904100934	1	SEAL,OIL
58		9904101198	2	NUT
59		9049100288	2	WASHER, LOCK
60		9904102267	1	RETAINER
61		9904101201	2	STUD
62		7755253000	1	O-RING
63		9904101202	1	BEARING



# Manitowoc Cranes

Description

**TORQUE CONVERTER ASSEMBLY**

Assembly No.

**735600009**

Revision:

Item	FN	Part	Qty	Description
64		9904101022	1	RING, RETAINING
65		9904101203	1	SHAFT
66		9904101204	1	GEAR
67		9904101205	1	BEARING, FRONT FRONT
68		9904101206	1	RING, RETAINING
69		9904101207	1	RING, RETAINING
70		9904101208	1	GEAR
71		9904101209	1	RING, RETAINING
72		9904101351	1	BEARING, GEAR
73		9904101211	1	RING, PISTON
74		9904101212	1	SHAFT
75		9904101213	1	STATOR, SLEEVE AND SUPPORT
76		9904101614	1	RING, PISTON
77		9904101215	1	RING, RETAINING
78		9904101216	1	GEAR
79		7115181050	6	CAP SCREW, 1/2" - 13 N.C. X 1 1/4" GRADE 5
80		9049100291	6	WASHER, LOCK
81		9904101218	1	TURBINE
82		9904101219	1	HUB
83		9904101139	1	RING, RETAINING
84		9904101220	1	RING, SNAP
85		9904101221	1	MEMBER, REACTION
86		9904101222	1	SPACER
87		9904101209	1	RING, RETAINING
88		9049101214	1	BEARING
89		9904101224	1	HUB
90		7755260000	1	O-RING
91		9904101626	1	IMPELLER
92		9904101227	8	WASHER, LOCK
93		9904101619	8	SCREW,
94		9904101229	1	BAFFLE
95		7755278000	1	O-RING

# Manitowoc Cranes

Description

**TORQUE CONVERTER ASSEMBLY**

Assembly No.

**7356000009**

Revision:

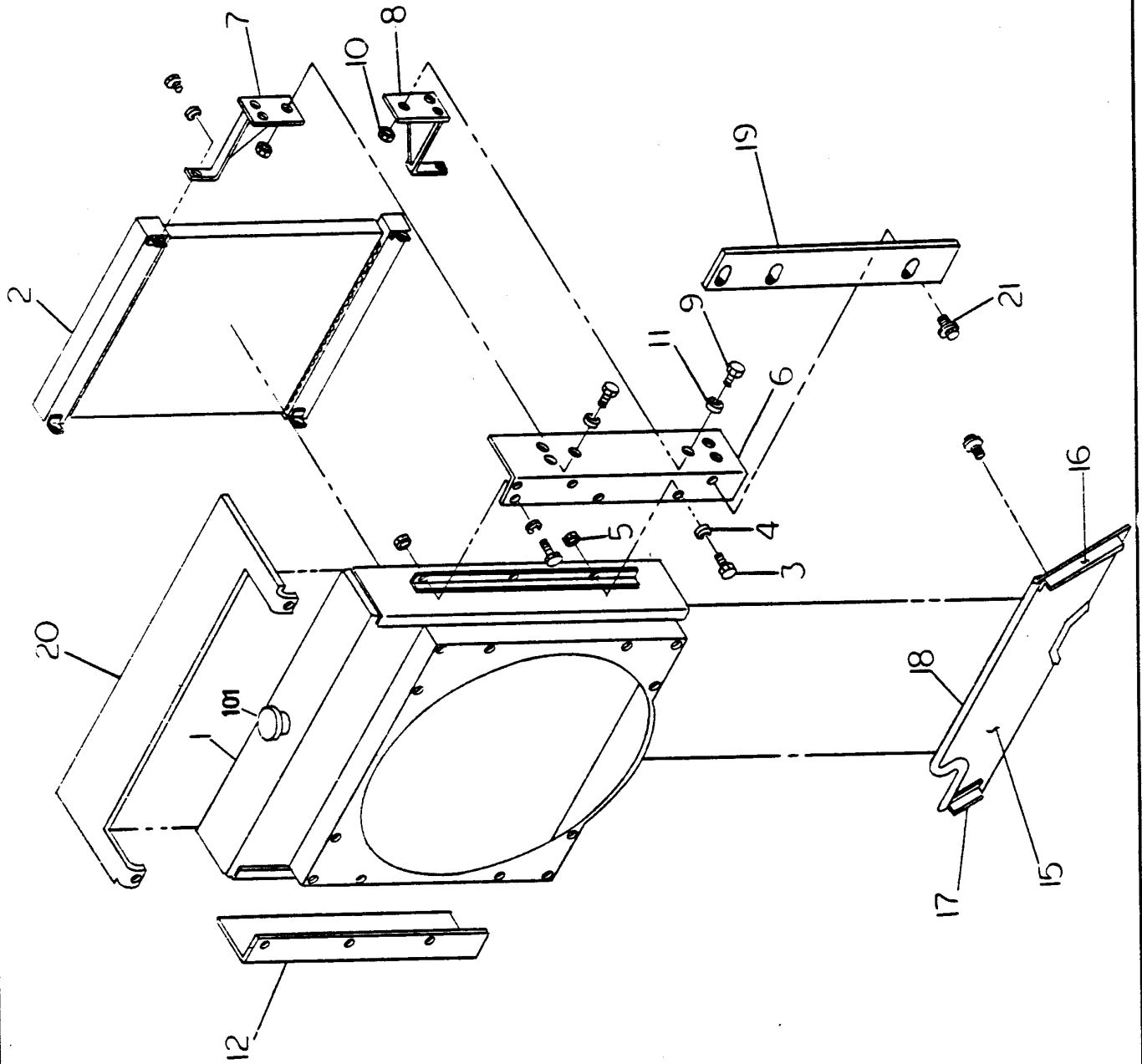
Item	FN	Part	Qty	Description
96		9904102275	1	SEAL,OIL
97		9904101620	1	O-RING
98		9904101232	1	RING, SNAP
99		9904101233	1	BEARING
100		9904101234	1	COVER
101		9904101235	1	SLEEVE
102		9904102276	16	SCREW,
103		9904101237	16	WASHER,
104		9904101238	1	KIT, RING GEAR INCLUDES NBR 102-103
105		9904101139	1	RING, RETAINING SAME AS NBR 83
106		9904101239	8	WASHER,
107		9904101240	8	SCREW,
108		9904102266	24	SCREW AND LOCKWASHER
116		9904101195	1	GASKET
116		7755229000	1	O-RING
117		9904101245	1	ADAPTER, STEER PUMP 2 BOLT MTG (STEER PUMP)
117		9904101244	1	ADAPTER, HYD.PUMP 4 BOLT MTG. (MAIN HYDRAULIC PUMP)
118		7115160850	6	CAP SCREW, 3/8" - 16 N.C. X 1" GRADE 5
118		9904101246	6	WASHER, LOCK
119		9904101194	3	STUD
119		9904101248	1	STUD
120		7950160050	4	WASHER, LOCK 3/8" I.D.
121		9904101196	3	NUT
121		9049101278	1	NUT

# ***Manitowoc Cranes***

Notes

---

# Manitowoc Cranes



# Manitowoc Cranes

Description

**RADIATOR AND OIL COOLER INSTALLATION  
(NOT AVAILABLE AS ASSEMBLY)**

Assembly No.

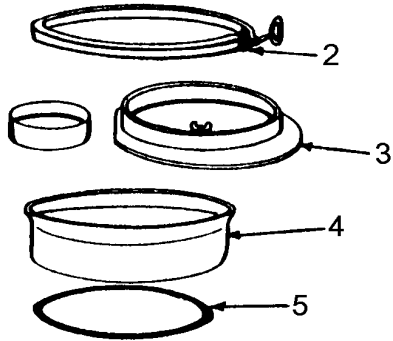
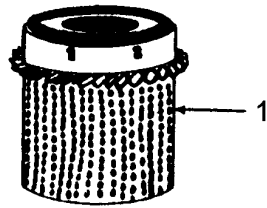
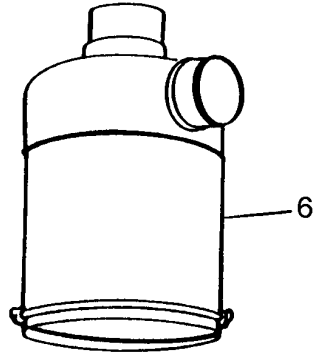
**2160800031**

Revision: I

Item	FN	Part	Qty	Description
1		4160800276	1	RADIATOR, MODIFIED INCLUDES NBR 101
2	#	7726000131	1	COOLER, HYDRAULIC OIL
3		7115160850	10	CAP SCREW, 3/8" - 16 N.C. X 1" GRADE 5
4		7950160050	10	WASHER, LOCK 3/8" I.D.
5		7660160000	6	NUT, HEX 3/8" - 16 N.C.
6		6030000418	1	ANGLE
7		2162800017	2	BRACKET, MOUNTING
8		6184000225	2	BRACKET, MOUNTING
9		7115150850	12	CAP SCREW, 5/16" - 18 N.C. X 1" GRADE 5
10		7660150000	12	NUT, HEX 5/16" - 18 N.C.
11		7950150050	12	WASHER, LOCK 5/16" I.D.
12		4160800058	1	ANGLE, SUPPORT (RIGHT HAND)
15		4160800201	1	PLATE, BAFFLE
16		4160800202	1	BRACKET
17		4160800203	1	BRACKET
18		9860100005	1	MOULDING 25' PC. ( MUST CUT TO LENGTH NEEDED ) (CUT 123" LONG)
19		4160800242	2	BAFFLE
20		4160800245	1	BAFFLE
21		7791141250	10	SCREW, SELF-DRILLING 1/4"
101		9726100032	1	CAP, RADIATOR

# SERVICED AS AN ASSEMBLY ONLY

# Manitowoc Cranes



# Manitowoc Cranes

Description

**CLEANER ASSEMBLY - AIR**

Assembly No.

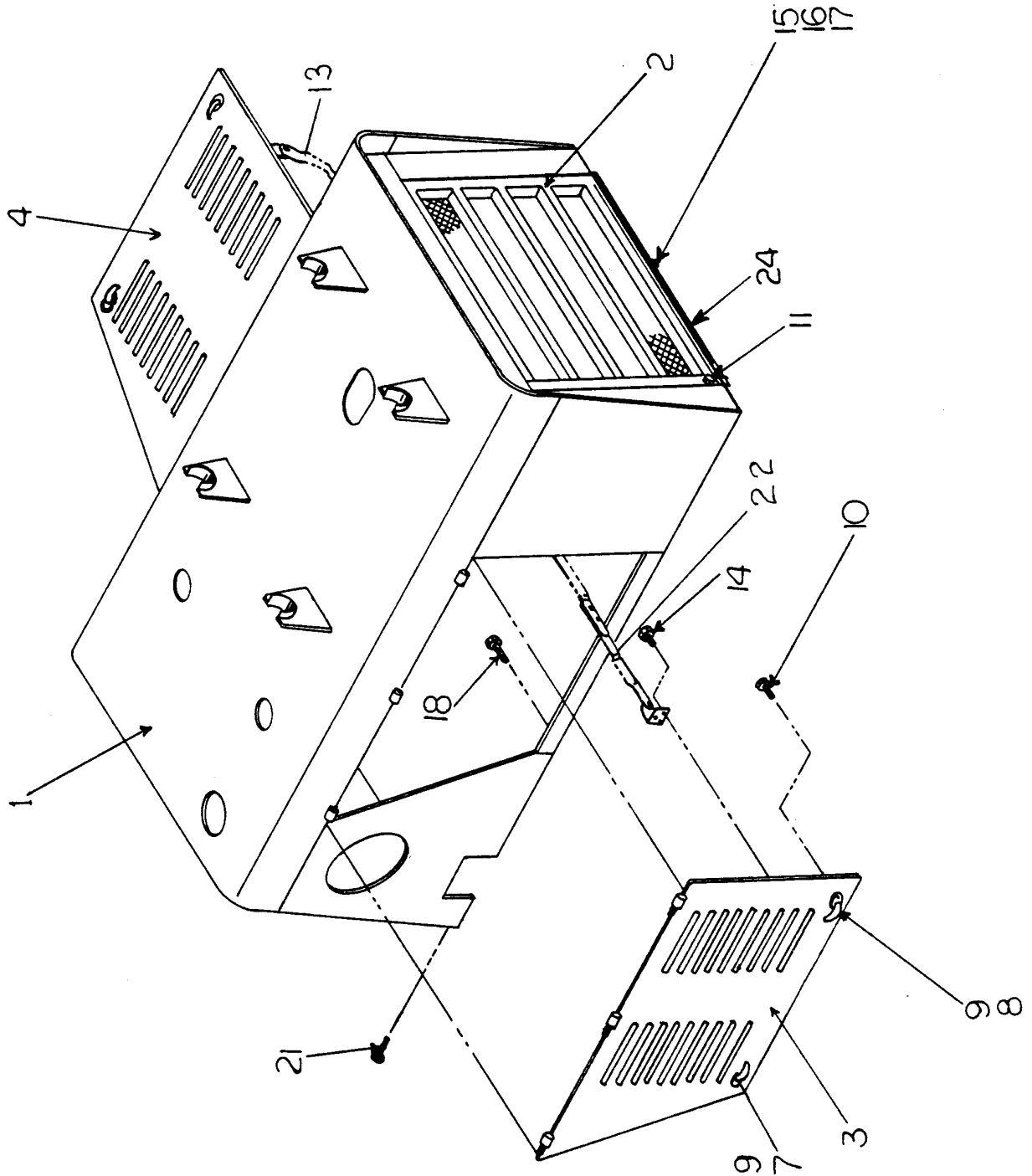
**2160800197**

Revision: #

Item	FN	Part	Qty	Description
1		9437100135	1	ELEMENT, AIR CLEANER
2		9304100006	1	CLAMP
3		9304100017	1	BAFFLE
4		9304100007	1	CUP ASSY
5		9304100014	1	O-RING, AIR CLEANER
6	#	NS	1	NOT SERVICED BODY

# SERVICED AS AN ASSEMBLY ONLY

# Manitowoc Cranes





# Manitowoc Cranes

Description

**ENGINE HOOD AND GRILL ASSEMBLY**

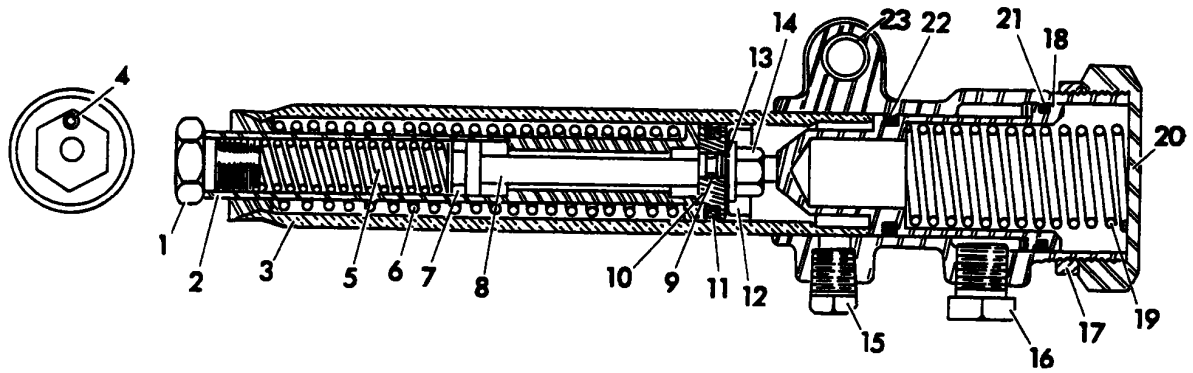
Assembly No.

**2160800230**

Revision: #

Item	FN	Part	Qty	Description
1		2160800229	1	HOOD, ENGINE
2		2160800022	1	GRILL, ENGINE HOOD
3		2160800226	1	DOOR, LEFT HAND
4		2160800225	1	DOOR, RIGHT HAND
7		7585000027	2	LATCH, LEFT HAND CAB (LEFT HAND)
8		7585000028	2	LATCH, RIGHT HAND CAB (RIGHT HAND)
9		6511000036	4	HANDLE, DOOR
10		7790100815	8	SCREW, SELF-TAPPING
11		7115151650	4	CAP SCREW, 5/16" -18 N.C. X 2" GRADE 5
13		7869000066	1	SUPPORT, DOOR (LEFT HAND)
14		7790100826	6	SCREW, SELF-TAPPING 3/16" - 24 N.C. X 1/2"
15		7950160050	7	WASHER, LOCK 3/8" I.D.
16		7115161450	3	CAP SCREW, 3/8" - 16 N.C. X 1 3/4" GRADE 5
17		7660160000	3	NUT, HEX 3/8" - 16 N.C.
18		7115160850	4	CAP SCREW, 3/8" - 16 N.C. X 1" GRADE 5
21		7790161453	2	SCREW, SELF-TAPPING 3/8" - 16 N.C. X 7/8"
22		7869000077	1	SUPPORT (RIGHT HAND)
24		9794100012	1	MOULDING 25' PC. ( MUST CUT TO LENGTH NEEDED ) (CUT 15' LONG)

# Manitowoc Cranes



# Manitowoc Cranes

Description

**CYLINDER ASSEMBLY - THROTTLE**

Assembly No.

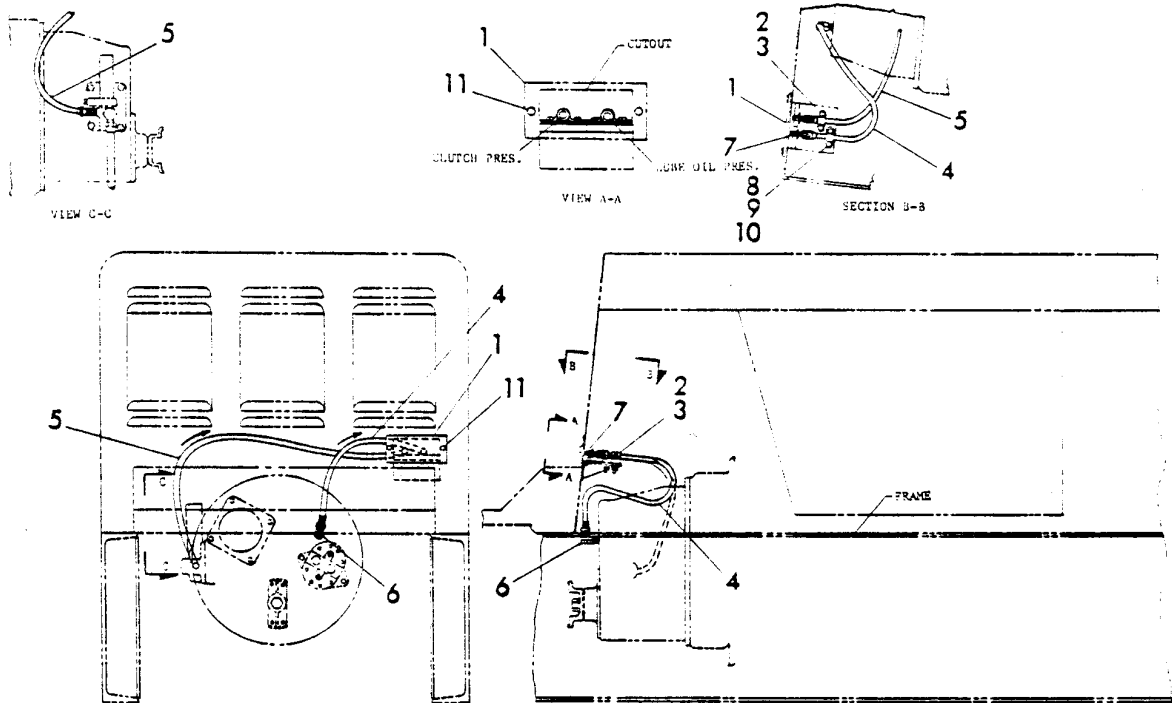
**7372000303**

Revision:

Item	FN	Part	Qty	Description
1		9372100311	1	ADAPTER, TUBE-PUSH
2		9372100312	1	TUBE, PUSH
3		9372100313	1	BUSHING, CYLINDER
4		9372100314	1	SET SCREW
5		9372100315	1	SPRING, TAKE-UP
6		9372100316	1	SPRING, GRADUATING
7	*	9372100317	1	OILER, BELT
8		9372100318	1	ROD, PISTON
9	*	9372100319	1	GROMMET
10		9372100320	1	PISTON, THROTTLE
11	*	9372100321	1	OILER, FELT
12	*	9372100322	1	CUP, PACKING-PISTON
13		9372100323	1	FOLLOWER
14		9372100324	1	NUT, HEX
15		9372100325	1	PLUG, PORT-THROTTLE VALVE
16		9372100326	1	PLUG
17		9372100327	1	NUT
18		9372100328	1	PISTON
19		9372100329	1	SPRING
20		9372100330	1	CAP, CYLINDER
21	*	9372100331	1	GROMMET
22	*	9372100332	1	GROMMET
23		9372101226	1	BUSHING
24	*	9372101949	0	KIT, REPAIR

\* REPAIR KIT AND/OR PART OF KIT

# Manitowoc Cranes



# Manitowoc Cranes

Description

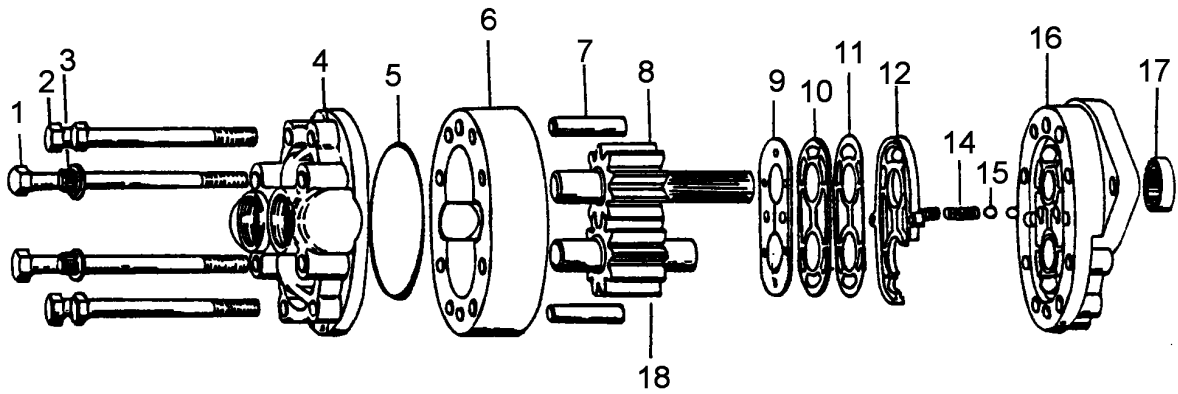
**OIL PRESSURE CHECK POINT INSTALLATION - CLUTCH/LUB  
(NOT AVAILABLE AS ASSEMBLY)**

Assembly No.

**2160800211  
Revision: B**

Item	FN	Part	Qty	Description
1		4160600079	1	COVER
2		7300000011	2	CLAMP, CABLE
3		4160600080	2	SHIM,
4		7542002401	1	HOSE ASSY, USE AS REQUIRED 3/16" I.D. X 24"
5		7542003401	1	HOSE ASSY, USE AS REQUIRED 3/16" I.D. X 34"
6		7445020204	1	ADAPTER, 90 DEGREE SWIVEL
7		7444000101	2	CAP, PIPE
8		NSS	4	NOT SERVICED SEPARATELY CAP SCREW
9		NSS	4	NOT SERVICED SEPARATELY LOCKWASHER
10		NSS	4	NOT SERVICED SEPARATELY NUT
11		NSS	2	NOT SERVICED SEPARATELY SCREW

# Manitowoc Cranes



# Manitowoc Cranes

Description

**PUMP ASSEMBLY - STEER**

Assembly No.

**7722000035**

Revision:

Item	FN	Part	Qty	Description
1		9722100002	2	CAPSCREW, NEAR
2		9722100003	4	GEAR, 1ST DRIVE 29T
3		9722100001	2	CAPSCREW, FAR
4		9722100250	1	PLATE, BACK
5	*	9722100254	1	O-RING
6		9722100251	1	BODY
7		9722100230	2	PIN, DOWEL
8		9722100252	1	GEAR, 1ST DRIVE 29T
9	*	9722100013	1	DIAPHRAGM
10	*	9722100012	1	GASKET, BACK-UP
11	*	9722100010	1	GASKET, PROTECTOR
12	*	9722100014	1	SEAL, DIAPHRAGM
14	*	9722100016	2	SPRING
15	*	9722100005	2	BALL
16		9722100231	1	PLATE, FRONT
17	*	9722100009	1	SEAL, SHAFT
18		9722100253	1	GEAR, IDLER
19	*	9722100255	1	KIT, REPAIR

\* REPAIR KIT AND/OR PART OF KIT

# ***Manitowoc Cranes***

Notes

---

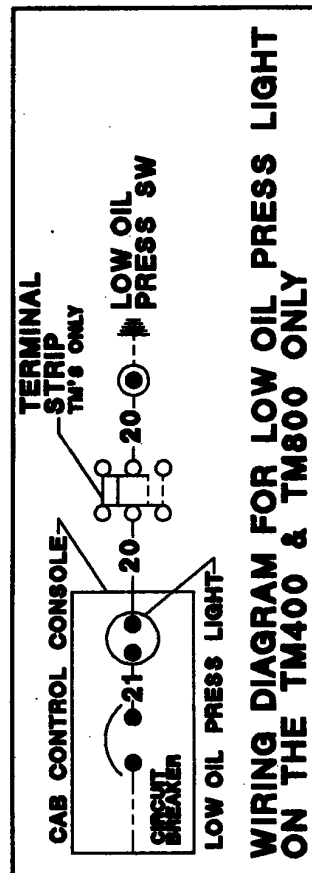


<b>CIRCUITS</b>			
WIRE NBR	COLOR	AWG	REMARKS
1	GREEN	10	
2	WHITE	14	
3	PURPLE	14	
4	BROWN	14	SM OPT START
5	RED	-	SM OPT START
6	ORN	-	
7	YEL	14	
8	YEL	14	
9	LT GRN	14	
10	RED	14	
11	RED	6	
12	GREEN	10	
13		-	*
14		-	*
15		-	*
16		-	*
17	BLACK	10	
18		-	*
19	ORN	-	SM OPT START
20	TAN	14	
21	BLUE	14	

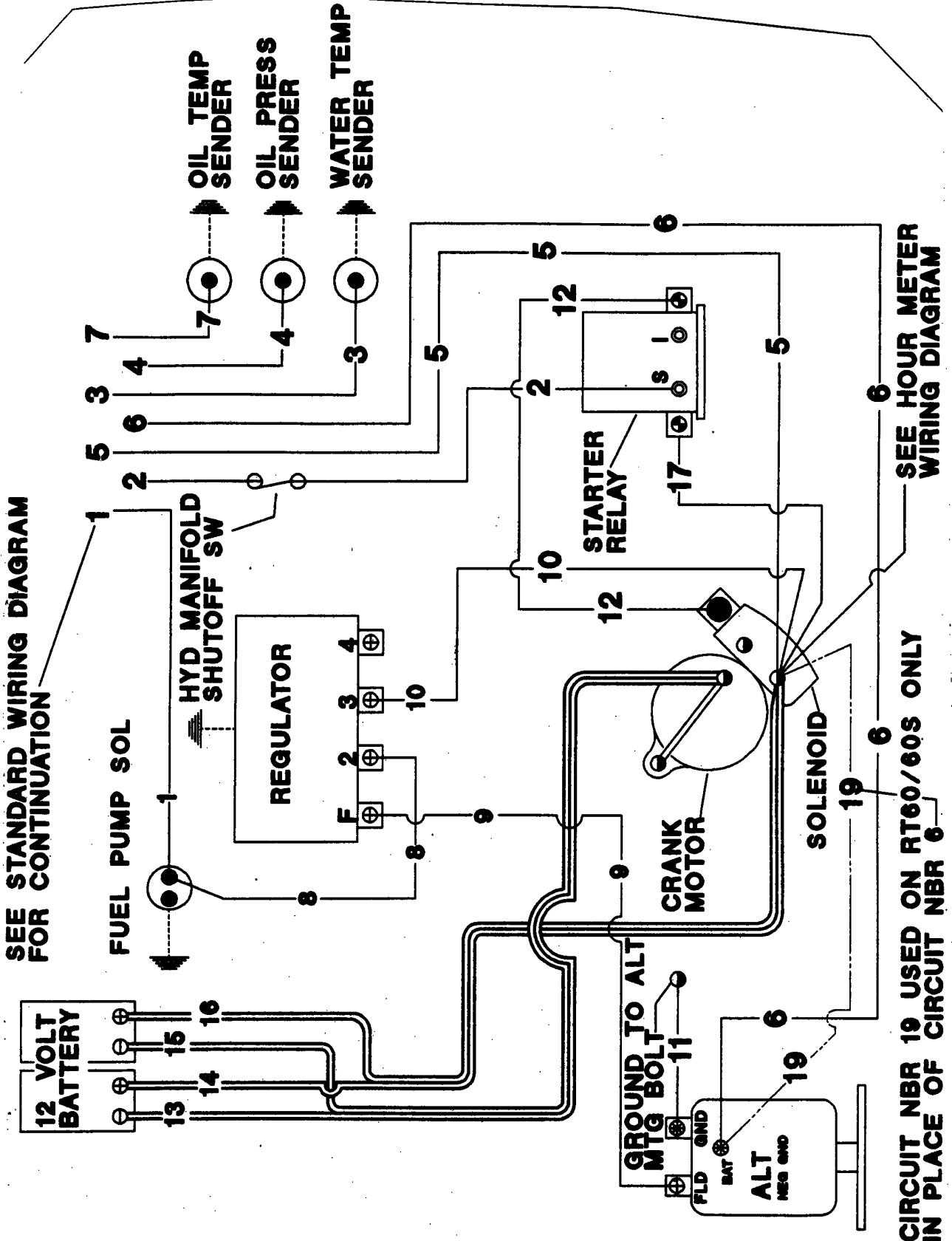
\* = SEE ENGINE INSTALLATION FOR CALLOUT

<b>OPTION CHART</b>				
WIRE NBR	USE X		WIRE GA	
	RT	TM	RT	TM
5	X	X	10	6
6	-	X	-	6
19	X	-	10	-

- 1- SEE STANDARD WIRING DIAGRAM FOR CONTINUATION OF CIRCUITS NBR 1 THRU 7
- 2- WIRE NBR 7 USED ONLY ON RTSS
- 3- HYD MANIFOLD SHUT-OFF SW IS FOR TM'S ONLY
- 4- WIRE NBR 15 & 16 ARE REQUIRED ON RT62 & TM800 ONLY



# Manitowoc Cranes



SEE STANDARD WIRING DIAGRAM FOR CONTINUATION

SEE HOUR METER WIRING DIAGRAM

CIRCUIT NBR 19 USED ON RT60/60S ONLY IN PLACE OF CIRCUIT NBR 6

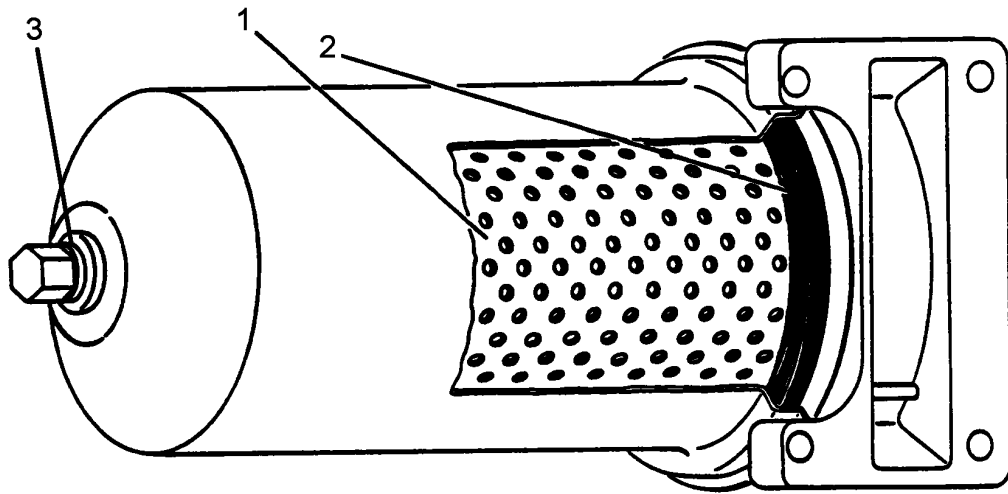
# Manitowoc Cranes

Description  
**WIRING DIAGRAM**

Assembly No.  
**6294000879**  
Revision:

Item	FN	Part	Qty	Description
1		NSS	1	NOT SERVICED SEPARATELY WIRING DIAGRAM

# Manitowoc Cranes



# Manitowoc Cranes

Description

**FILTER ASSEMBLY - OIL**

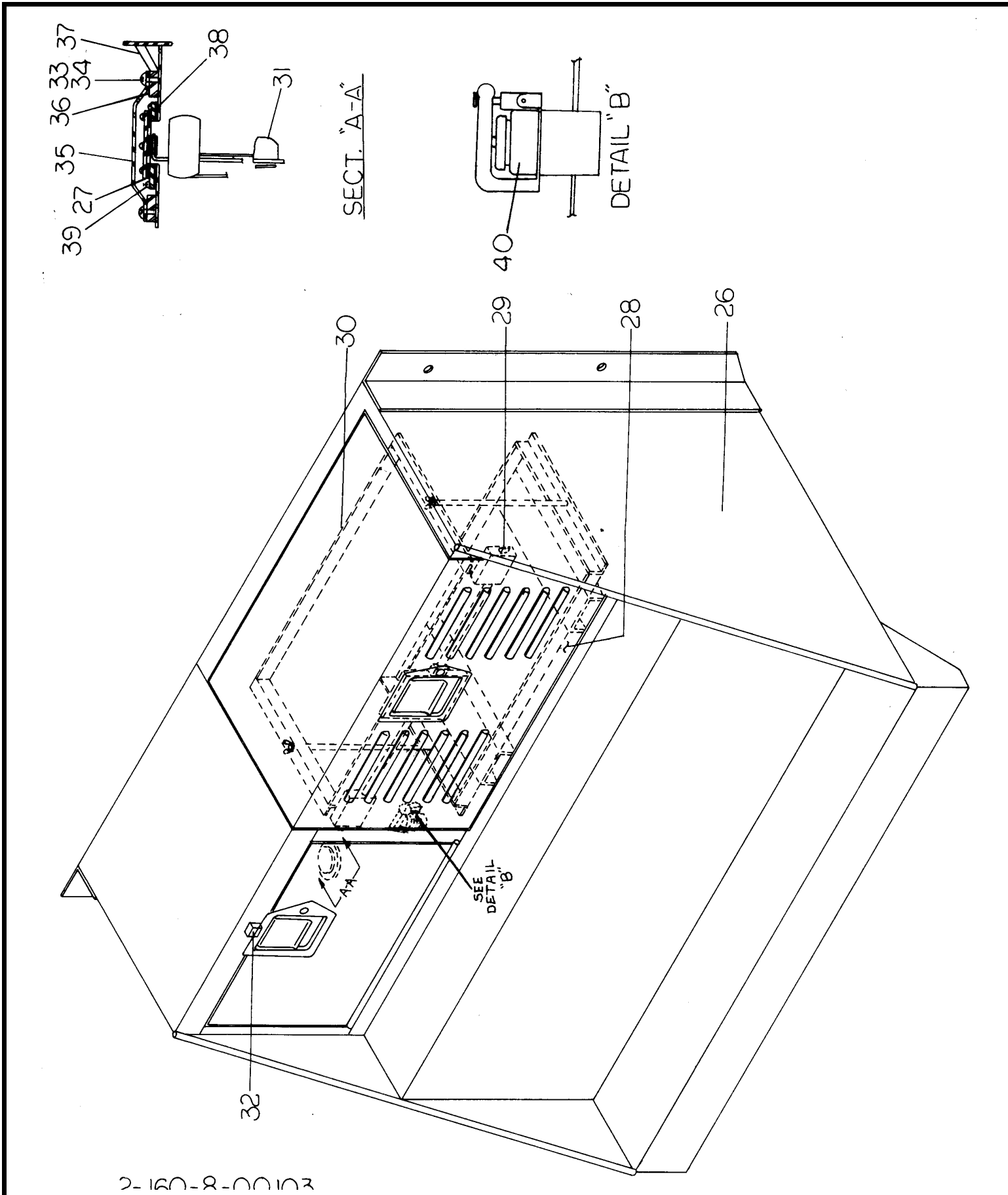
Assembly No.

**7437000038**

Revision:

Item	FN	Part	Qty	Description
1		9437100139	1	ELEMENT, TRANS. OIL INCLUDES O-RING
2		9437100140	1	QUAD RING INCLUDED WITH ELEMENT
3		9437100776	1	KIT, WASHER AND SEAL

# Manitowoc Cranes



2-160-8-00103

2160800103

(SHEET 1 OF 1)

Page 358

# Manitowoc Cranes

Description

**TANK AND TOOL BOX ASSEMBLY - FUEL**

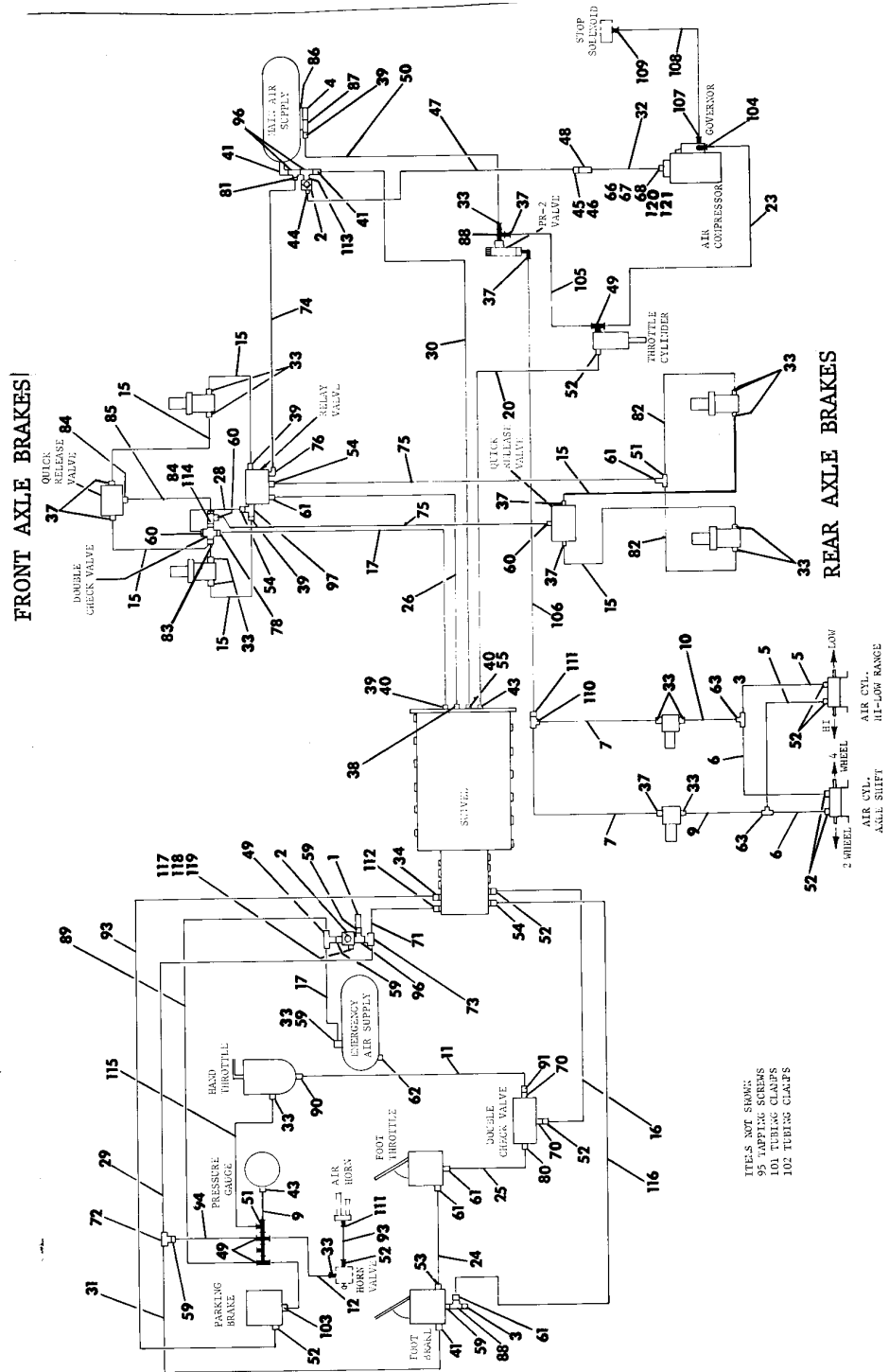
Assembly No.

**2160800103**

Revision:

Item	FN	Part	Qty	Description
26		2160800117	1	BOX, TOOL
27		7576000010	1	TANK UNIT INSTALLATION
28		2160800105	1	DOOR ASSY, BATTERY BOX
28		2160800208	1	DOOR ASSY, BATTERY BOX
28		2160800206	1	DOOR ASSY, BATTERY BOX ( USE WITH CUMMINS V-504 ENGINE ONLY)
28		2160800233	1	DOOR ASSY, BATTERY BOX ( USE WITH CUMMINS V-504 ENGINE ONLY)
29		6570080600	2	KEY
30		2160800121	1	BOX, BATTERY
31		7872000014	1	SENDER, FUEL LEVEL
32		6570200800	1	KEY STOCK
33		7111100310	4	SCREW, MACHINE 3/16" - 24 N.C. X 3/8" GRADE 1
34		7950100050	4	WASHER, LOCK #10
35		6258000048	1	CAP, DUST
36		4148300004	1	PLATE, SPACER
37		6697000034	1	PIPE
38		6794000248	1	GASKET
39		7790100853	4	SCREW, SELF-TAPPING 3/16" - 24 N.C. X 1/2"
40		7258000049	1	CAP, FUEL-FILLER

# Manitowoc Cranes





# Manitowoc Cranes

Description

**AIR BRAKES & THRTL. LINES INSTA**

Assembly No.

**2160600176**

Revision:

Item	FN	Part	Qty	Description
1	#	7486000266	1	INDICATOR, LOW PRESSURE
2	+	7926000207	2	VALVE ASSEMBLY - CHECK
3	#	7872000059	1	SWITCH, PRESSURE
4	#	7926000210	1	VALVE, SAFETY
5		7542000501	2	HOSE ASSY, USE AS REQUIRED 3/16" I.D. X 5"
6		7542000701	2	HOSE ASSY, USE AS REQUIRED 3/16" I.D. X 7"
7		7542000702	2	HOSE ASSY, USE AS REQUIRED 3/16" I.D. X 7"
9		7542001202	2	HOSE ASSY, USE AS REQUIRED 3/16" I.D. X 12"
10		7542001302	1	HOSE ASSY, USE AS REQUIRED 3/16" I.D. X 13"
11		7542003002	1	HOSE ASSY, USE AS REQUIRED 3/16" I.D. X 30"
12		7542003003	1	HOSE ASSY, USE AS REQUIRED 3/16" I.D. X 30"
15		7542006003	6	HOSE ASSY, USE AS REQUIRED 3/16" I.D. X 60"
16		7542006601	1	HOSE ASSY, USE AS REQUIRED
17		7542006403	2	HOSE ASSY, USE AS REQUIRED
20		7542011201	1	HOSE ASSY, USE AS REQUIRED
23	%	7542004803	1	HOSE ASSY, USE AS REQUIRED 3/16" I.D. X 48"
24		7542101405	1	HOSE ASSY, USE AS REQUIRED
25		7542102805	1	HOSE ASSY, USE AS REQUIRED
26		7542106405	1	HOSE ASSY, USE AS REQUIRED
28		7542101005	1	HOSE ASSY, USE AS REQUIRED
29		7542303606	1	HOSE ASSY, USE AS REQUIRED 1/2" I.D. X 36" LONG
30		7542304806	1	HOSE ASSY, USE AS REQUIRED HOSE ASSY, 1/2" I.D. X 48" LONG
31		7542301206	1	HOSE ASSY, USE AS REQUIRED
32		7543000303	1	HOSE ASSY, USE AS REQUIRED
33		7445040404	15	ADAPTER, 90 DEGREE SWIVEL
34		7445060404	1	ADAPTER, SWIVEL

# SERVICED AS AN ASSEMBLY ONLY  
% SEE NOTE AT END OF LIST

+ SEE FURTHER BREAKDOWN THIS GROUP

# Manitowoc Cranes

Description

**AIR BRAKES & THRTL. LINES INSTA**

Assembly No.

**2160600176**

Revision:

Item	FN	Part	Qty	Description
37		7445040401	7	ADAPTER, STRAIGHT SWIVEL
38		7445060602	1	ADAPTER, SWIVEL
39		7445060401	4	ADAPTER, STRAIGHT SWIVEL
40		7445060651	2	UNION, STRAIGHT
41		7445080804	3	ELBOW, 90 DEGREE
43		7445020202	2	ADAPTER, SWIVEL
44		7445100858	1	ELBOW, 90 DEGREE MALE
45		7445101041	1	SLEEVE, TUBE
46		7445101042	1	NUT
47	%	6911109760	1	TUBING, COPPER
48		7445101031	1	ELBOW
49		7445040412	3	ADAPTER, SWIVEL
50		7542001503	1	HOSE, 1503 X 15" LG 1/2" M
51		7445040414	2	ADAPTER, SWIVEL
52		7445020204	9	ADAPTER, 90 DEGREE SWIVEL
53		7445080601	1	ADAPTER, STRAIGHT SWIVEL
54		7445060604	3	ADAPTER, SWIVEL
55		7445060801	1	ADAPTER, STRAIGHT SWIVEL
59		7444040256	5	BUSHING, REDUCER
60		7445080604	3	ADAPTER, SWIVEL
61		7445040601	5	ADAPTER, STRAIGHT SWIVEL
62	#	7926000273	1	COCK, DRAIN
63		7445020214	2	TEE, SWIVEL
66	%	7450000049	1	FITTING, DISCHARGE
67	%	7794000241	1	GASKET
68	%	7445080804	1	ELBOW, 90 DEGREE
70		7444030154	2	REDUCER
71		7542303606	1	HOSE ASSY, USE AS REQUIRED 1/2" I.D. X 36" LONG
72		7445080813	1	ADAPTER, 90 DEGREE SWIVEL
73		7445080812	1	ADAPTER, SWIVEL
74		6911081920	1	TUBE
75		7542112005	2	HOSE ASSY, USE AS REQUIRED
76		7445080658	1	ELBOW

% SEE NOTE AT END OF LIST

# SERVICED AS AN ASSEMBLY ONLY

# Manitowoc Cranes

Description

**AIR BRAKES & THRTL. LINES INSTA**

Assembly No.

**2160600176**

Revision:

Item	FN	Part	Qty	Description
78		7445080404	1	SWIVEL ADAPTER UNION
80		7445060601	2	ADAPTER, SWIVEL
81		7445080857	1	CONNECTOR
82		7542004603	2	HOSE ASSY, USE AS REQUIRED 3/16" I.D. X 46"
83		7444040036	1	PLUG, PIPE 1/2"
84		7445080401	2	ADAPTER, STRAIGHT SWIVEL
85		7542001203	1	HOSE ASSY, USE AS REQUIRED 3/16" I.D. X 12"
86		7649000026	1	NIPPLE, HEX
87		7888000019	1	TEE
88		7888000033	2	TEE, SERVICE
89		7542009603	1	HOSE ASSY, USE AS REQUIRED 3/16" I.D. X 96"
90		7445040405	1	ADAPTER, SWIVEL
91		7445020201	1	ADAPTER, STRAIGHT
93		7542008402	2	HOSE ASSY, USE AS REQUIRED
94		7542001403	1	HOSE ASSY, USE AS REQUIRED
95		7790100653	1	SCREW, SELF-TAPPING
96		7888000057	3	TEE, SERVICE
97		7888000070	1	TEE, SERVICE
101		7300000100	1	CLAMP, TUBING 3/8" I.D.
102		7300000102	1	CLAMP, TUBING 5/8" I.D.
103		7445020404	1	ADAPTER, 90 DEGREE SWIVEL
104	%	7445020401	1	ADAPTER, STRAIGHT SWIVEL
105	%	7542015603	1	HOSE ASSY, USE AS REQUIRED 3/16" I.D. X 156" LONG
106		7542007203	1	HOSE ASSY, USE AS REQUIRED 3/16" I.D. X 72"
107	%	7445020401	1	ADAPTER, STRAIGHT SWIVEL
108	%	7542006003	1	HOSE ASSY, USE AS REQUIRED 3/16" I.D. X 60"
109	%	7445020404	1	ADAPTER, 90 DEGREE SWIVEL
110		7888000018	1	TEE

% SEE NOTE AT END OF LIST

# Manitowoc Cranes

Description

**AIR BRAKES & THRTL. LINES INSTA**

Assembly No.

**2160600176**

Revision:

Item	FN	Part	Qty	Description
111		7445020401	1	ADAPTER, STRAIGHT SWIVEL
112		7445080801	1	ADAPTER, STRAIGHT
113		7445080849	1	NIPPLE
114		7888000057	1	TEE, SERVICE
115		7542003603	1	HOSE ASSY, USE AS REQUIRED 3/16" I.D. X 36"
116		7542107005	1	HOSE ASSY, USE AS REQUIRED
117		7660170000	2	NUT, HEX 7/16" - 14 N.C.
118		7950170000	2	LOCKWASHER, 7/16" I.D.
119		4175700011	1	COLLAR, CAM MOUNTING
120	%	7111150750	2	BOLT HEX HEAD 5/16" -18 N.C. X 7/8"
121	%	7950150050	2	WASHER, LOCK 5/16" I.D.

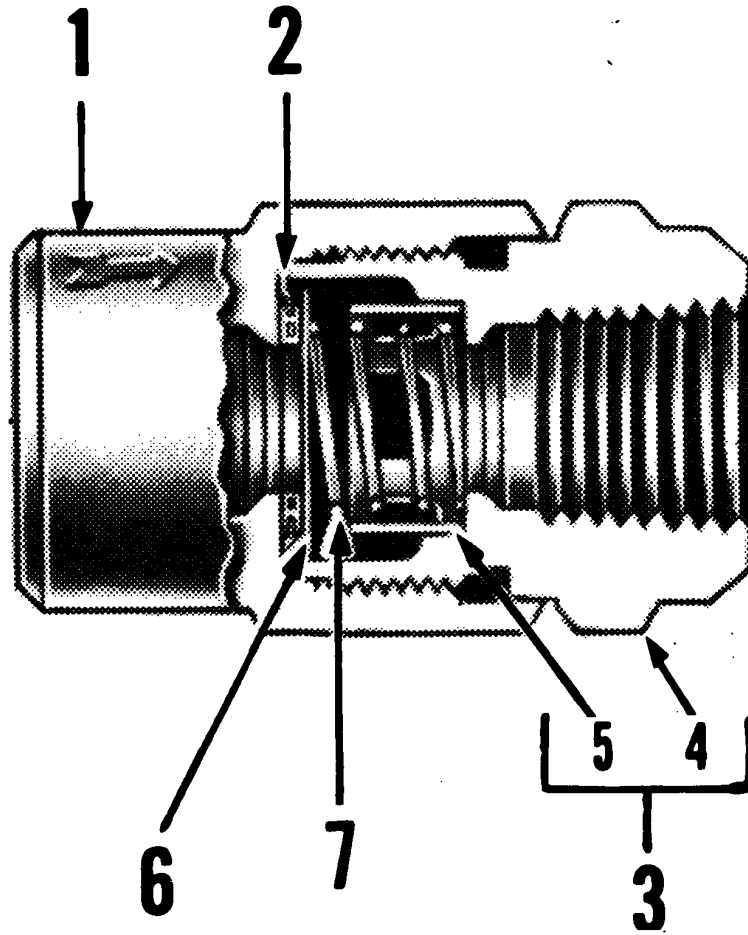
% SEE NOTE AT END OF LIST

# ***Manitowoc Cranes***

Notes

---

# Manitowoc Cranes



# Manitowoc Cranes

Description

**VALVE ASSEMBLY - CHECK**

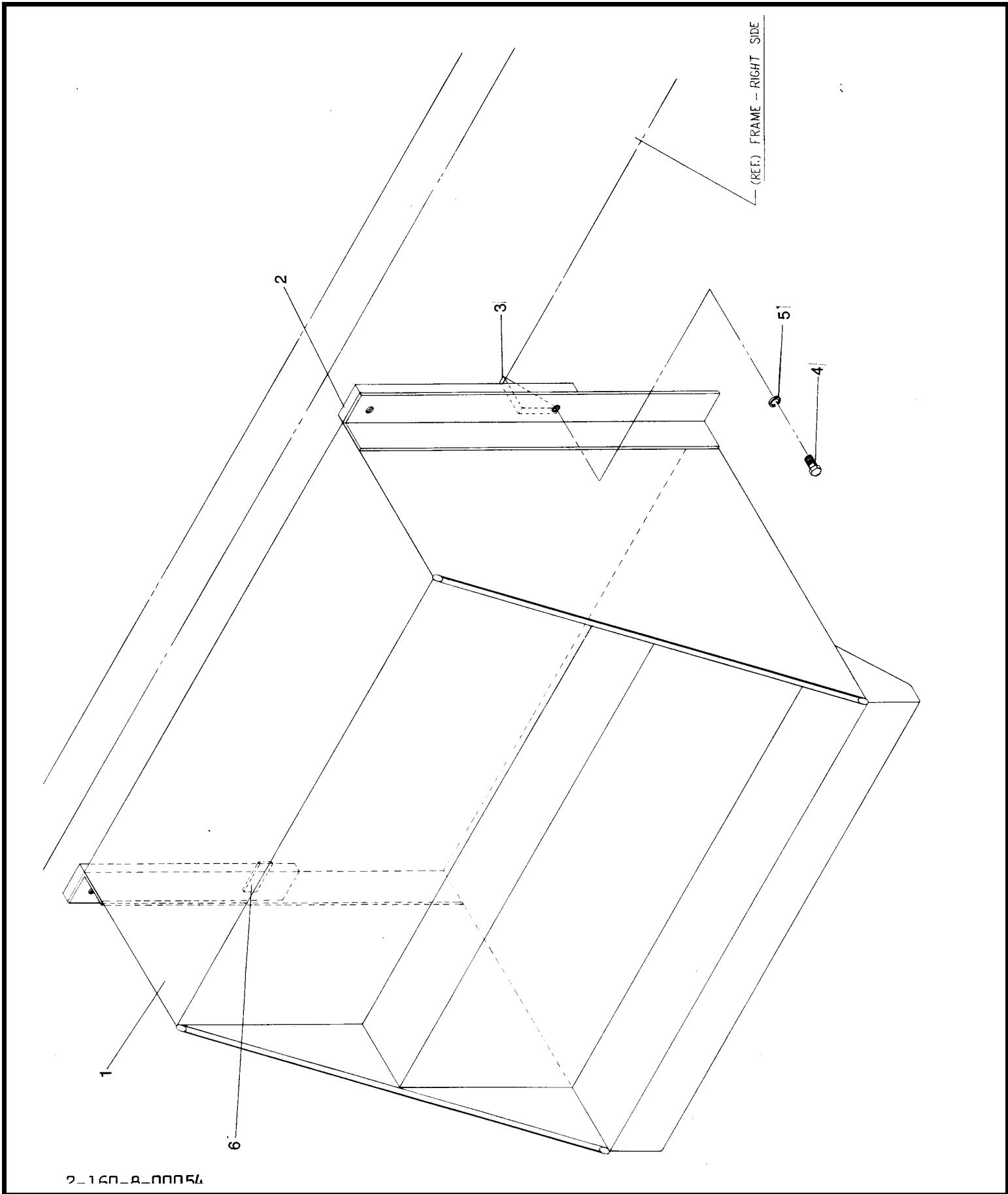
Assembly No.

**7926000207**

Revision:

Item	FN	Part	Qty	Description
1		9926101460	1	BODY
2		9926101461	1	SEAT, VALVE
3		9926101462	1	SCREW CAP
4		9926101463	1	CAP SCREW,
5		9926101464	1	BUSHING, VALVE STOP
6		9926101465	1	VALVE, DISC
7		9926101466	1	SPRING

# Manitowoc Cranes



2-160-A-00054



# Manitowoc Cranes

Description

**HYDRAULIC TANK INSTALLATION**

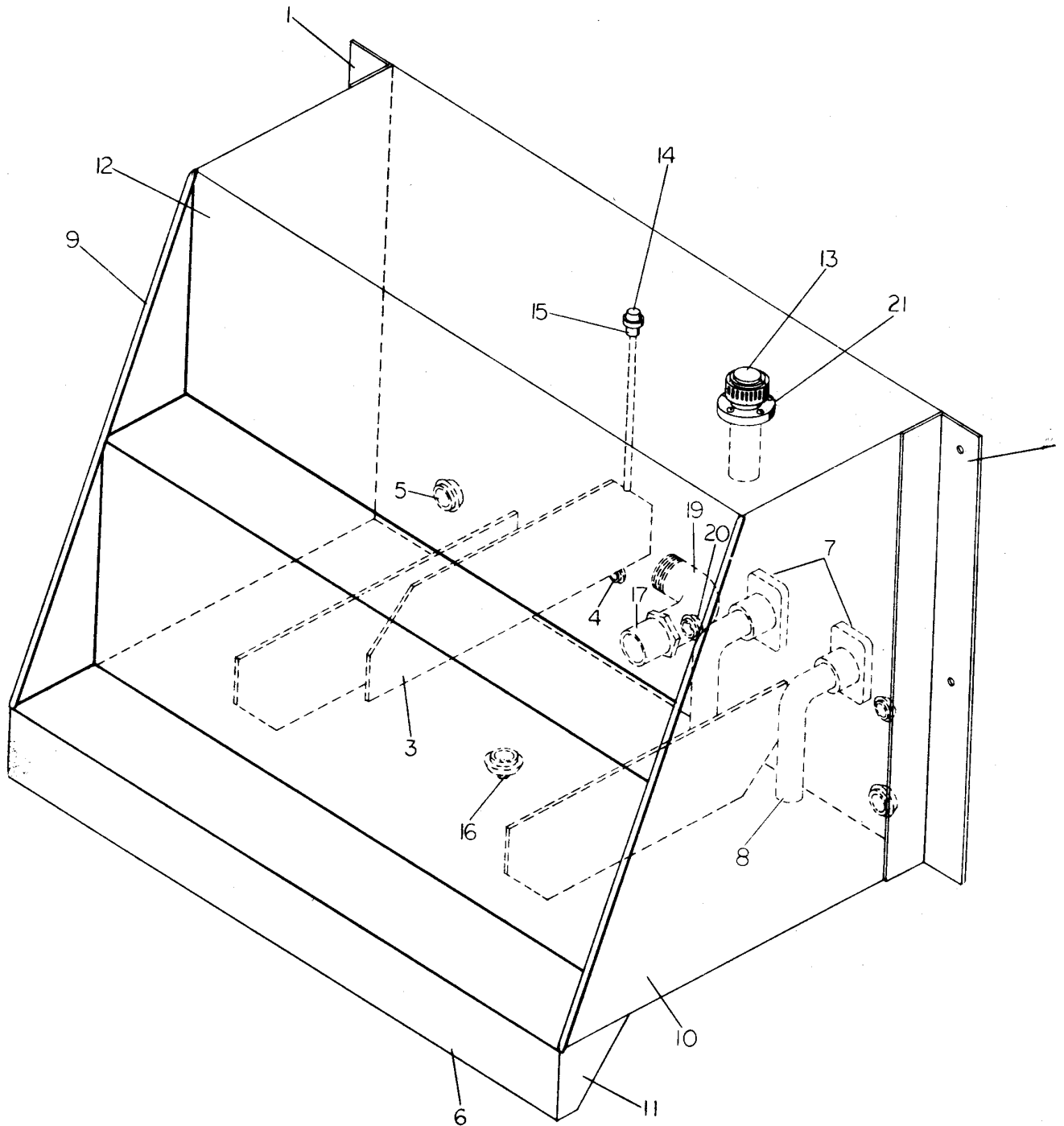
Assembly No.

**2160800054**

Revision:

Item	FN	Part	Qty	Description
1		2158800005	1	HYDRAULIC RESERVOIR ASSEMBLY
2		4160800015	2	PLATE, TANK MOUNTING
3		6705000025	1	TRIANGLE
4		7115180850	4	CAP SCREW, 1/2"-13 UNC X 1"
5		7950180050	4	WASHER, LOCK 1/2" I.D.
6		6705001019	1	STRAP

# Manitowoc Cranes



# Manitowoc Cranes

Description

**HYDRAULIC RESERVOIR ASSEMBLY**

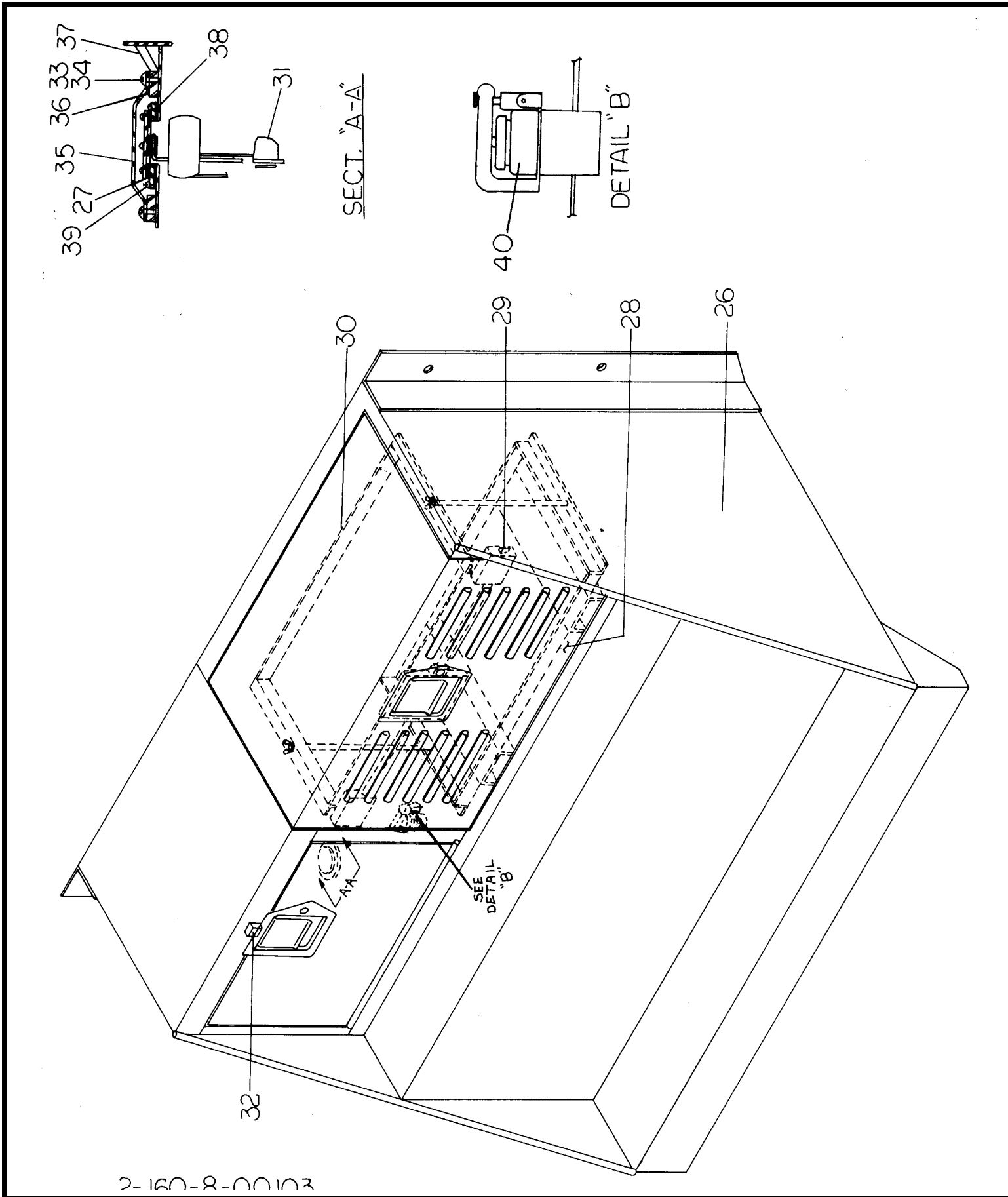
Assembly No.

**2158800005**

Revision: **P**

Item	FN	Part	Qty	Description
1		4158800002	1	ANGLE, LEFT HAND MOUNTING
2		4158800003	1	ANGLE, RIGHT HAND MOUNTING
3		4158800009	3	PLATE, BAFFLE
4		7450000005	1	FITTING, PIPE
5		7450000008	4	FITTING, PIPE
6		4158800014	1	PLATE, SUPPORT
7		7443000007	3	PILOT, TANK FITTING
8		6910000083	3	TUBE, SUCTION
9		4158800011	2	MOLDING, EDGE
10		4158800006	2	PLATE, END
11		4158800008	2	PLATE, END
12		4158800015	1	PLATE, TOP
13		7304000004	1	FILLER AND BREATHER
14		6486000205	1	DIPSTICK ASSEMBLY
15		6650040090	1	NIPPLE, PIPE
16		7444080021	1	PLUG, PIPE 1" N.P.T.
17		6650120334	1	PIPE
19		7444121270	1	ELBOW, 90 DEGREE
20		7450000006	1	FITTING, PIPE
21		6753000217	1	RING, MOUNTING (FILLER AND BREATHER) - NOT SHOWN

# Manitowoc Cranes



2160800103

(SHEET 1 OF 1)

# Manitowoc Cranes

Description

**TANK AND TOOL BOX ASSEMBLY - FUEL**

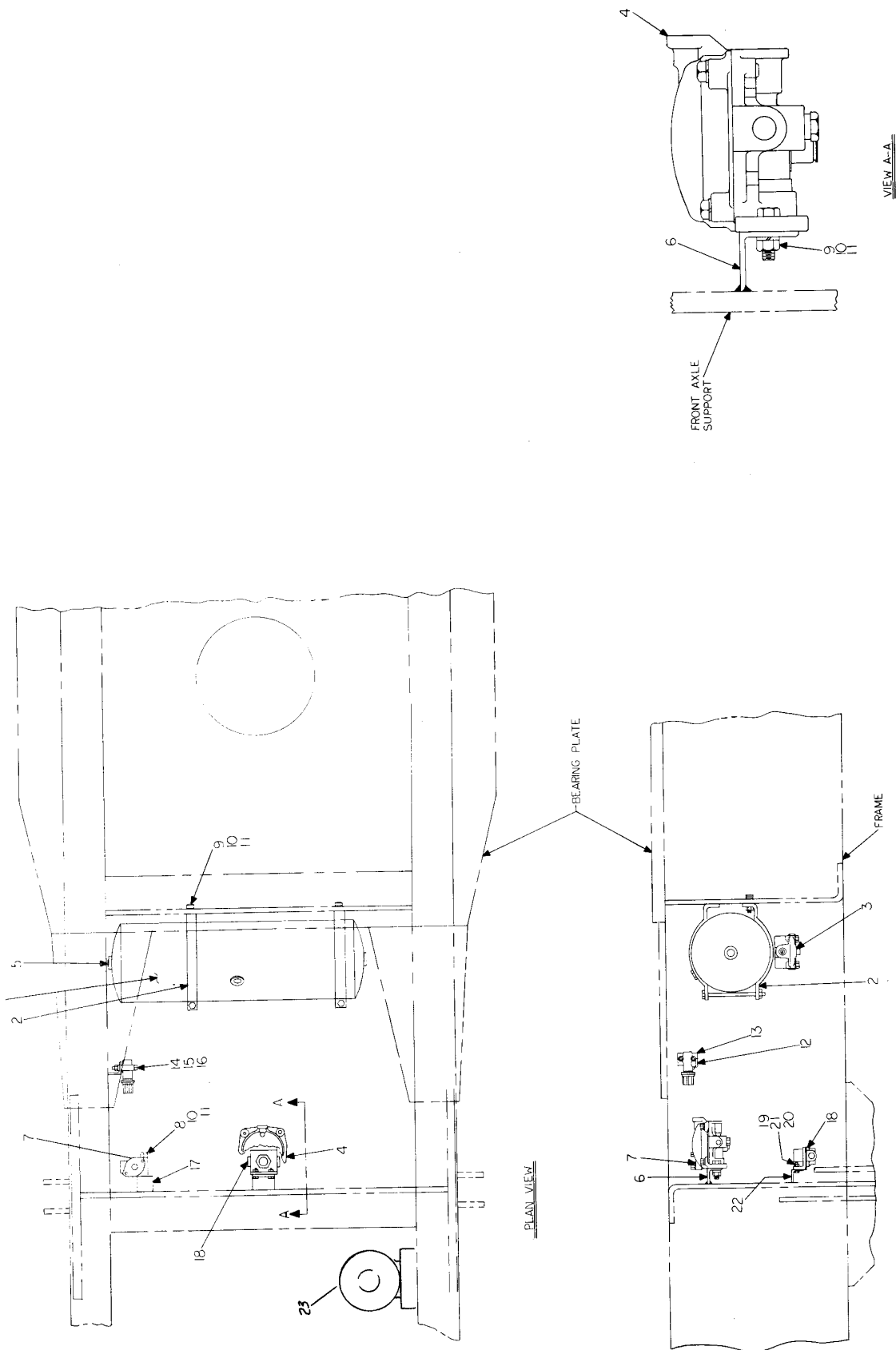
Assembly No.

**2160800103**

Revision:

Item	FN	Part	Qty	Description
26		2160800117	1	BOX, TOOL
27		7576000010	1	TANK UNIT INSTALLATION
28		2160800105	1	DOOR ASSY, BATTERY BOX
28		2160800208	1	DOOR ASSY, BATTERY BOX
28		2160800206	1	DOOR ASSY, BATTERY BOX ( USE WITH CUMMINS V-504 ENGINE ONLY)
28		2160800233	1	DOOR ASSY, BATTERY BOX ( USE WITH CUMMINS V-504 ENGINE ONLY)
29		6570080600	2	KEY
30		2160800121	1	BOX, BATTERY
31		7872000014	1	SENDER, FUEL LEVEL
32		6570200800	1	KEY STOCK
33		7111100310	4	SCREW, MACHINE 3/16" - 24 N.C. X 3/8" GRADE 1
34		7950100050	4	WASHER, LOCK #10
35		6258000048	1	CAP, DUST
36		4148300004	1	PLATE, SPACER
37		6697000034	1	PIPE
38		6794000248	1	GASKET
39		7790100853	4	SCREW, SELF-TAPPING 3/16" - 24 N.C. X 1/2"
40		7258000049	1	CAP, FUEL-FILLER

# Manitowoc Cranes



# Manitowoc Cranes

Description

**MAIN AIR TANK INSTALLATION**

Assembly No.

**2160800218**

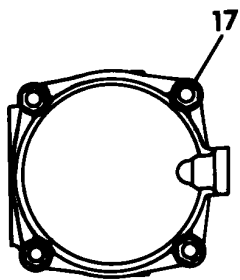
Revision:

Item	FN	Part	Qty	Description
1		7880000011	1	TANK, AIR
2		7184000106	2	BRACKET, RESERVOIR
3	#	7926000209	1	VALVE, DRAIN
4	+	7926000323	2	VALVE ASSEMBLY - RELAY
5		7444040031	1	PLUG, PIPE 1/2" N.P.T.
6		6030000383	1	ANGLE, MOUNTING
7	+	7926000216	1	VALVE ASSEMBLY - CHECK
8		7115162450	1	CAP SCREW, 3/8" - 16 N.C. X 3" GRADE 5
9		7115161050	4	CAP SCREW, 3/8" - 16 N.C. X 1 1/4" GRADE 5
10		7950160050	5	WASHER, LOCK 3/8" I.D.
11		7660160000	5	NUT, HEX 3/8" - 16 N.C.
12	#	7926000931	1	VALVE, PRESSURE PROTECTION
13		6030000686	1	ANGLE, MOUNTING
14		7115142050	2	CAP SCREW, 1/4" - 20 N.C. X 2 1/2" GRADE 5
15		7950140050	2	WASHER, LOCK 1/4"
16		7660140000	2	NUT, HEX 1/4" - 20 N.C.
17		6030000279	1	ANGLE, MOUNTING
18	+	7926000205	2	VALVE ASSEMBLY - QUICK RELEASE
19		7115150850	4	CAP SCREW, 5/16" - 18 N.C. X 1" GRADE 5
20		7950150050	4	WASHER, LOCK 5/16" I.D.
21		7660150000	4	NUT, HEX 5/16" - 18 N.C.
22		6030000303	1	ANGLE, MOUNTING
23	+	7515000047	1	DRYER ASSEMBLY - AIR

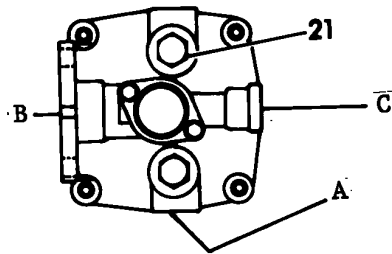
# SERVICED AS AN ASSEMBLY ONLY

+ SEE FURTHER BREAKDOWN THIS GROUP

# Manitowoc Cranes

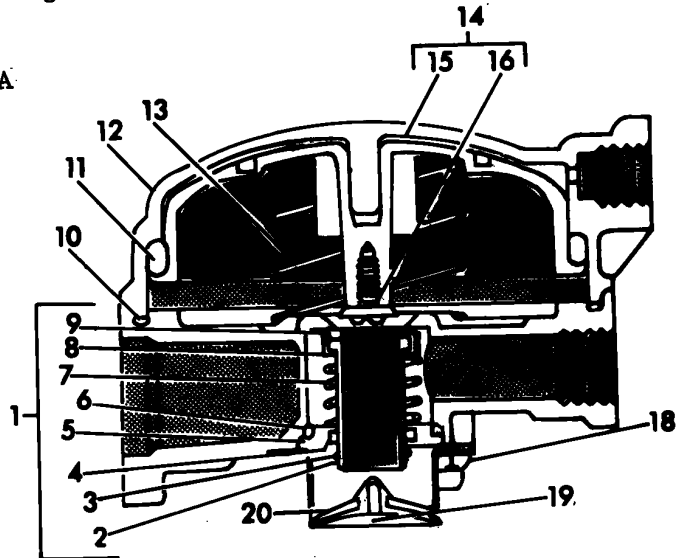


TOP VIEW



BOTTOM VIEW

- A - P.T. DELIVERY
- B - P.T. SUPPLY
- C - P.T. SUPPLY





# Manitowoc Cranes

Description

**VALVE ASSEMBLY - RELAY**

Assembly No.

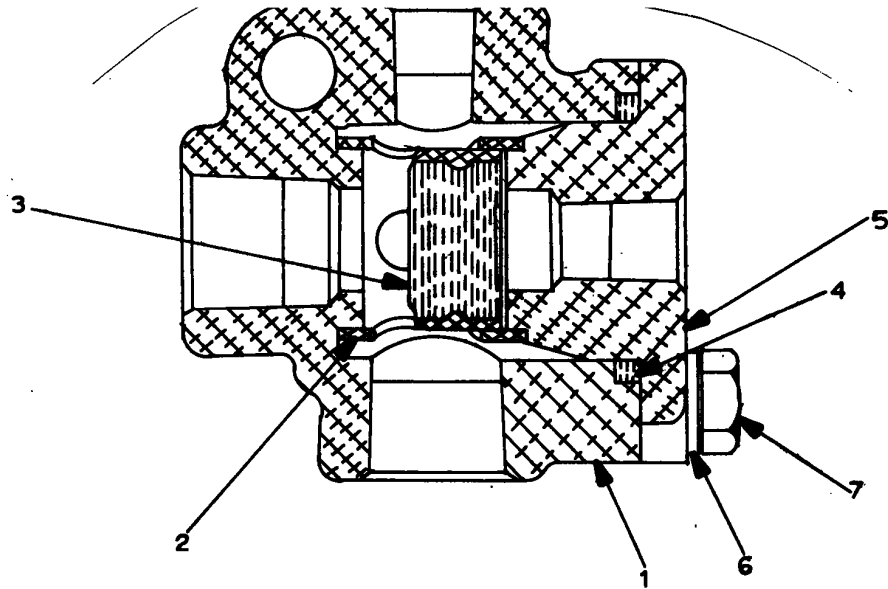
**7926000323**

Revision:

Item	FN	Part	Qty	Description
1		9926101286	1	VALVE ASSY - INLET AND EXHAUST INCLUDES NBR 2-9
2	*	9926101287	1	VALVE BODY
3	*	9926101288	1	RING, SNAP
4	*	9926101289	1	O-RING
5		9926101290	1	GUIDE
6	*	9926101291	1	O-RING
7	*	9926101292	1	SPRING
8	*	9926101293	1	RETAINER
9		9926101294	1	VALVE
10	*	9926101295	1	O-RING, COVER
11	*	9926101296	1	O-RING, PISTON
12		9926101297	1	COVER
13		9926101298	1	SPRING
14		9926101299	1	RELAY PISTON INCLUDES NBR 15 & 16
15		9926101300	1	PISTON
16	*	9926101301	1	SEAT
17		9926101302	4	SCREW, ROLLING
18		9926101303	2	SCREW,
19	*	9926101304	1	CHECK, EXHAUST
20		9926101305	1	COVER
21		9926101306	2	PLUG
22	*	9752100140	1	KIT, REPAIR

\* REPAIR KIT AND/OR PART OF KIT

# Manitowoc Cranes



# Manitowoc Cranes

Description

**VALVE ASSEMBLY - CHECK**

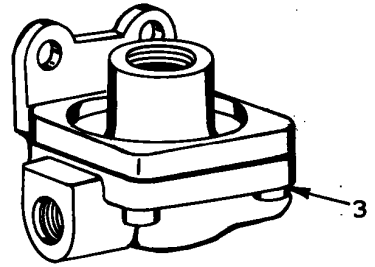
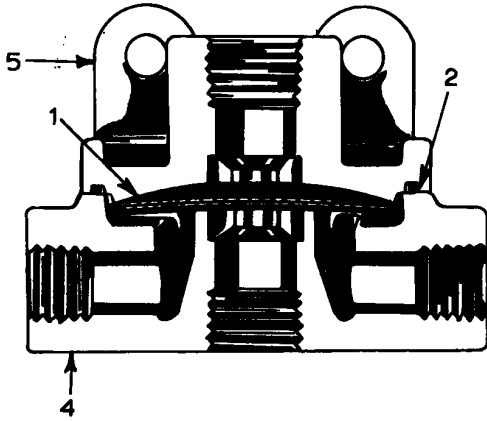
Assembly No.

**7926000216**

Revision:

Item	FN	Part	Qty	Description
1		9926101467	1	BODY
2		9926101468	1	VALVE
3		9926101469	1	VALVE
4		9926101470	1	GROMMET
5		9926101471	1	COVER
6		9926101472	2	WASHER, LOCK
7		9926101473	2	SCREW

# Manitowoc Cranes



# Manitowoc Cranes

Description

**VALVE ASSEMBLY - QUICK RELEASE**

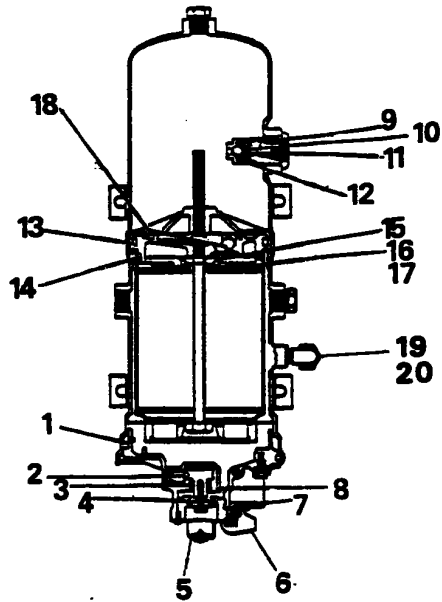
Assembly No.

**7926000205**

Revision:

Item	FN	Part	Qty	Description
1		9926101402	1	DIAPHRAGM
2		9926101403	1	RING, SEALING
3		9926101404	4	SCREW, MACHINE
4		9926101405	1	BODY
5		9926101405	1	BODY

# Manitowoc Cranes



# Manitowoc Cranes

Description

**DRYER ASSEMBLY - AIR**

Assembly No.

**7515000047**

Revision:

Item	FN	Part	Qty	Description
1	*	NSS	1	NOT SERVICED SEPARATELY O-RING
2	*	NSS	1	NOT SERVICED SEPARATELY O-RING
3	*	NSS	1	NOT SERVICED SEPARATELY SPRING
4	*	NSS	1	NOT SERVICED SEPARATELY VALVE, PURGE
5	*	NSS	1	NOT SERVICED SEPARATELY DIAPHRAGM
6	*	NSS	1	NOT SERVICED SEPARATELY BOOT
7	*	NSS	1	NOT SERVICED SEPARATELY O-RING
8	*	NSS	1	NOT SERVICED SEPARATELY O-RING
9	@	NSS	1	NOT SERVICED SEPARATELY WASHER, SEALING
10	@	NSS	1	NOT SERVICED SEPARATELY SPRING
11	@	NSS	1	NOT SERVICED SEPARATELY VALVE, BALL
12	@	NSS	1	NOT SERVICED SEPARATELY CAP, END
13	-	NSS	1	NOT SERVICED SEPARATELY O-RING
14	-	NSS	1	NOT SERVICED SEPARATELY O-RING
15	-	NSS	1	NOT SERVICED SEPARATELY SEAT, SPRING
16	-	NSS	2	NOT SERVICED SEPARATELY PLATE, PERFORATED
17	-	NSS	1	NOT SERVICED SEPARATELY FILTER, OIL SEPARATOR
18	-	NSS	1	NOT SERVICED SEPARATELY VALVE, BALL
19		9515100867	1	ELBOW
20		9515100868	1	VALVE, SAFETY
21		9515100508	0	END COVER ASSY (INCLUDES THERMOSTAT)

\* REPAIR KIT AND/OR PART OF KIT  
- THIRD REPAIR KIT AND/OR PART OF 3RD KIT

@ SECOND REPAIR KIT AND/OR PART OF 2ND KIT

# Manitowoc Cranes

Description

**DRYER ASSEMBLY - AIR**

Assembly No.

**7515000047**

Revision:

Item	FN	Part	Qty	Description
21		9515100507	0	KIT' END COVER
21	*	9515100396	0	REPAIR KIT - PURGE VALVE
21	@	9515100397	0	REPAIR KIT - CHECK VALVE
21	-	9515100398	0	REPAIR KIT - DESICCANT CARTRIDGE - INCLUDES DESICCANT

\* REPAIR KIT AND/OR PART OF KIT  
- THIRD REPAIR KIT AND/OR PART OF 3RD KIT

@ SECOND REPAIR KIT AND/OR PART OF 2ND KIT

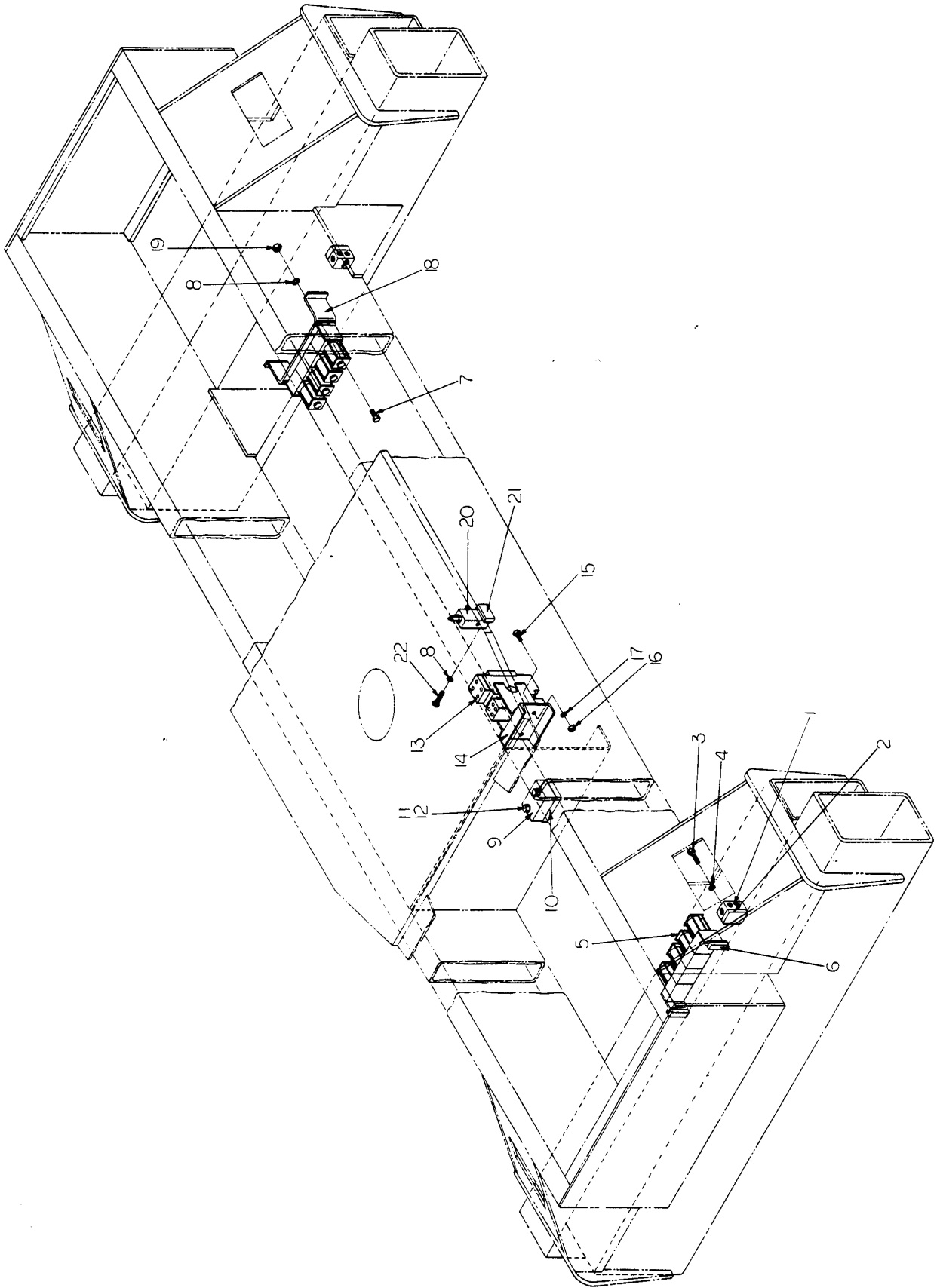


# ***Manitowoc Cranes***

Notes

---

# Manitowoc Cranes



2160100057

(SHEET 1 OF 1)

Page 386

# Manitowoc Cranes

Description

**VALVE INSTALLATION - FRONT AND REAR  
(NOT AVAILABLE AS ASSEMBLY)**

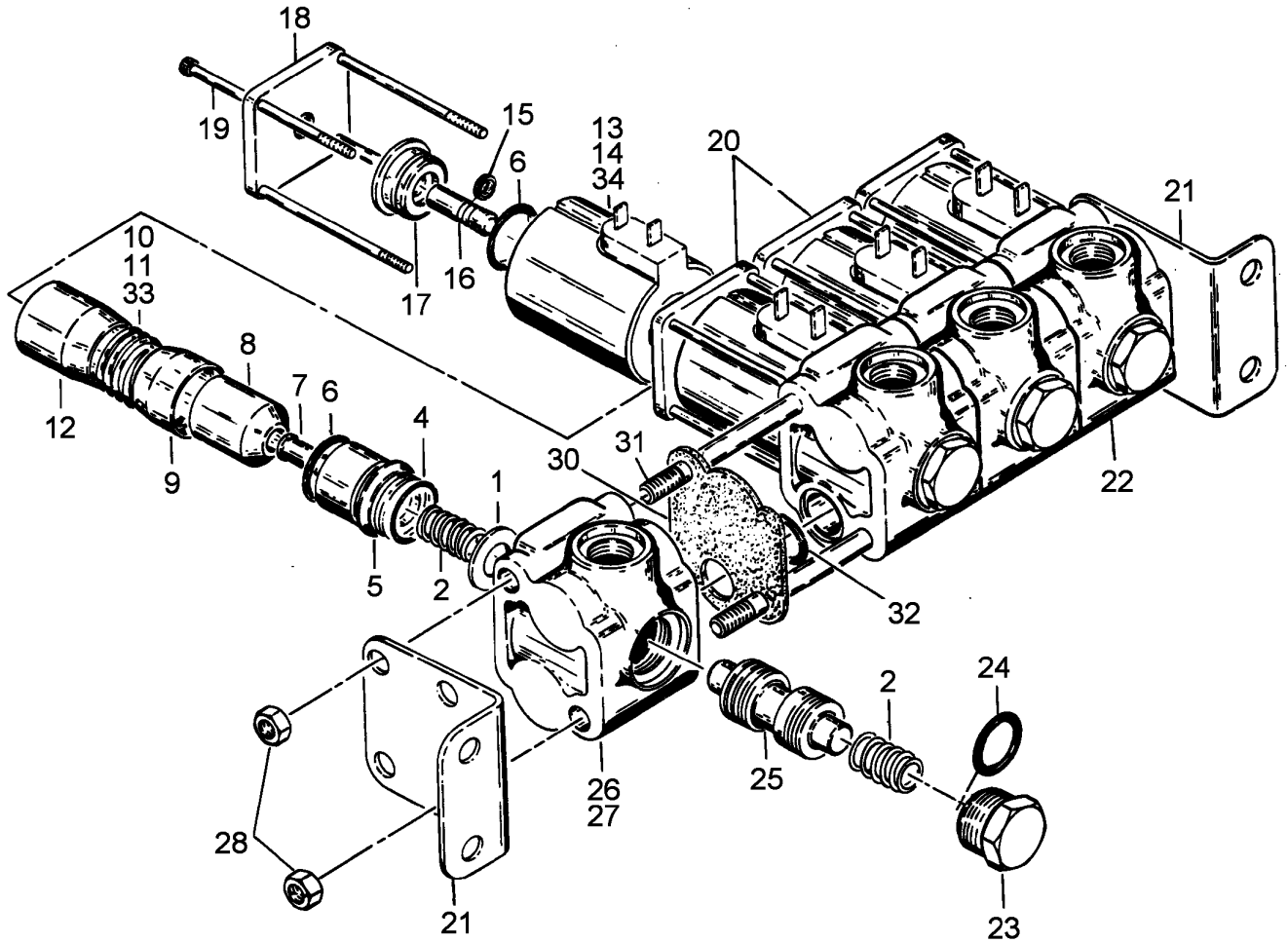
Assembly No.

**2160100057  
Revision: E**

Item	FN	Part	Qty	Description
1		4104800012	2	HOUSING, MANIFOLD
3		7115141650	4	CAP SCREW, 1/4" - 20 N.C. X 2" GRADE 5
4		7950140050	4	WASHER, LOCK 1/4"
5	+	7926000219	2	VALVE ASSEMBLY - 4 STACK OUTRIGGER SOLENOID
7		7115160850	8	CAP SCREW, 3/8" - 16 N.C. X 1" GRADE 5
8		7950160050	10	WASHER, LOCK 3/8" I.D.
13	+	7926000173	1	VALVE ASSEMBLY - OUTRIGGER SELECTOR (COMPLETE ASSEMBLY)
15		7115180850	4	CAP SCREW, 1/2"-13 UNC X 1"
16		7660180000	4	NUT, 1/2" - 13 N.C. HEX HEAD
17		7950180050	4	WASHER, LOCK 1/2" I.D.
19		7660160000	4	NUT, HEX 3/8" - 16 N.C.
20	+	7926000701	1	VALVE ASSEMBLY - RELIEF
22		7115161650	2	CAP SCREW, 3/8" - 16 N.C. X 2" GRADE 5

+ SEE FURTHER BREAKDOWN THIS GROUP

# Manitowoc Cranes



# Manitowoc Cranes

Description

**VALVE ASSEMBLY - 4 STACK OUTRIGGER SOLENOID**

Assembly No.

**7926000219**

Revision:

Item	FN	Part	Qty	Description
1		9926100766	4	WASHER, (1 PER SECTION)
2		9926100765	8	SPRING (2 PER SECTION)
4		9926101775	4	O-RING (1 PER SECTION)
5		9926101778	4	CONE (1 PER SECTION)
6		7755015002	8	O-RING (2 PER SECTION)
7		9926101779	4	PIN (1 PER SECTION)
8		9926101777	4	PLUNGER (1 PER SECTION)
9		9926100773	4	SLEEVE (1 PER SECTION)
10		9926100779	4	GUIDE, TUBE (1 PER SECTION) INCLUDES NBRS 4 - 8, 15 - 17 AND 33
11		9926100772	4	SPRING (1 PER SECTION)
12		9926100771	4	SLEEVE (1 PER SECTION)
13		9926100760	4	COIL, 12 VOLT (1 PER SECTION)
14		9926100769	4	SHELL (1 PER SECTION)
15		9926100764	4	RING, QUAD (1 PER SECTION)
16		9926102007	4	PIN (1 PER SECTION)
17		9926100848	4	GUIDE (1 PER SECTION)
18		9926100775	4	PLATE, END (1 PER SECTION)
19		9926100774	16	SCREW, 3/16" - 32 N.F. (4 PER SECTION)
20		9926101999	2	VALVE, SECTION VALVE SECTION ASSY. COMPLETE

# Manitowoc Cranes

Description

**VALVE ASSEMBLY - 4 STACK OUTRIGGER SOLENOID**

Assembly No.

**7926000219**

Revision:

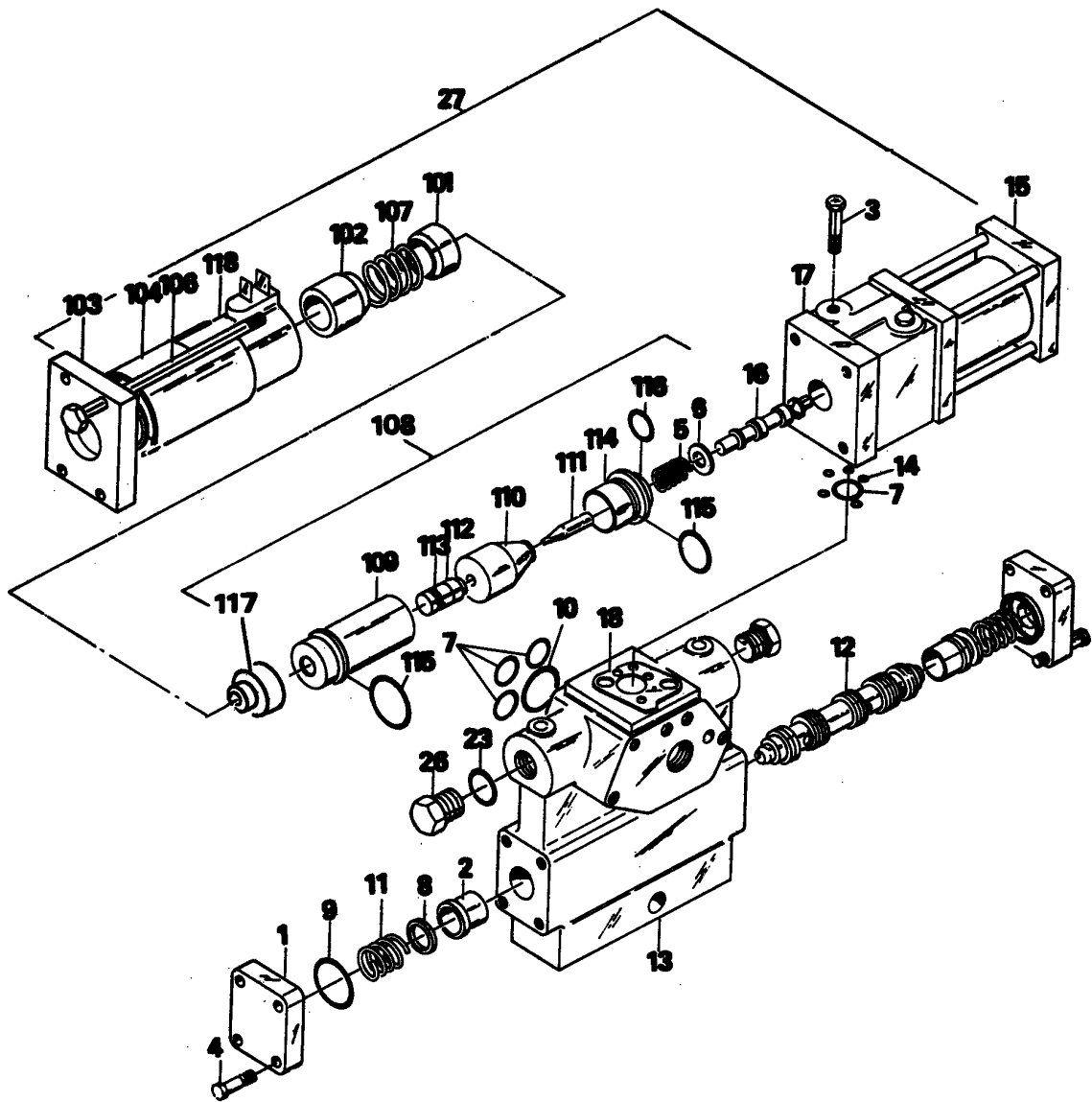
Item	FN	Part	Qty	Description
21		9926102828	2	BRACKET
22		9926102000	1	VALVE, SECTION VALVE SECTION ASSY. COMPLETE
23		9926102005	4	PLUG, #8 SAE SPECIAL INCLUDES THE FOLLOWING PARTS
		7755908002	1	O-RING
24		7755908002	4	O-RING (1 PER SECTION)
25		NSS	1	NOT SERVICED SEPARATELY SPOOL SPOOL
26		NSS	1	NOT SERVICED SEPARATELY BODY BODY
27		9926101998	1	VALVE, SECTION VALVE SECTION ASSY. COMPLETE
28		9926102824	4	NUT 3/8"
30		9926102452	3	PLATE, SEAL
31		9926102850	2	STUD
32		7755015002	3	O-RING
33		9926100843	4	TUBE (1 PER SECTION)
34		9926102269	4	SOLENOID ASSEMBLY (1 PER SECTION) INCLUDES NBRS 9 - 14, 18 AND 19

# ***Manitowoc Cranes***

Notes

---

# Manitowoc Cranes





# Manitowoc Cranes

Description

**VALVE ASSEMBLY - OUTRIGGER SELECTOR (COMPLETE ASSEMBLY)**

Assembly No.

**7926000173**

Revision:

Item	FN	Part	Qty	Description
1		9926100372	2	CAP
2		9926100724	2	SEAT
3		9926100385	2	SCREW,
4		9926100386	8	SCREW,
5		9926100398	2	SPRING
6		9926100389	2	SEAL
7		7755015002	4	O-RING
8		9926100394	2	WASHER,
9		9926100726	2	SEAL
10		9926100727	1	SEAL
11		9926100399	2	SPRING
12	#	NS	1	NOT SERVICED SPOOL ASSY.
13	#	NS	1	NOT SERVICED BODY ASSEMBLY
14		7755009000	5	O-RING
15		9926100767	2	SOLENOID VALVE ASSEMBLY INCLUDES COIL, CASE AND GUIDE TUBE ASSY. INCLUDES NBR 18 & 101-118
16	#	NS	1	NOT SERVICED SPOOL
17	#	NS	1	NOT SERVICED BODY ASSY.
18		9926100390	1	PLATE,SEAL INCLUDES NBRS 7, 14, 18
23		7755908002	2	O-RING
26		9926100397	2	PLUG
27		9926100416	1	VALVE SECTION INCLUDES NBR 18
101		9926100773	1	SLEEVE
102		9926100771	1	SLEEVE
103		9926100775	1	PLATE, END
104		9926100769	1	SHELL
106		9926100774	1	SCREW, 3/16" - 32 N.F.
107		9926100772	4	SPRING

# SERVICED AS AN ASSEMBLY ONLY

# Manitowoc Cranes

Description

**VALVE ASSEMBLY - OUTRIGGER SELECTOR (COMPLETE ASSEMBLY)**

Assembly No.

**7926000173**

Revision:

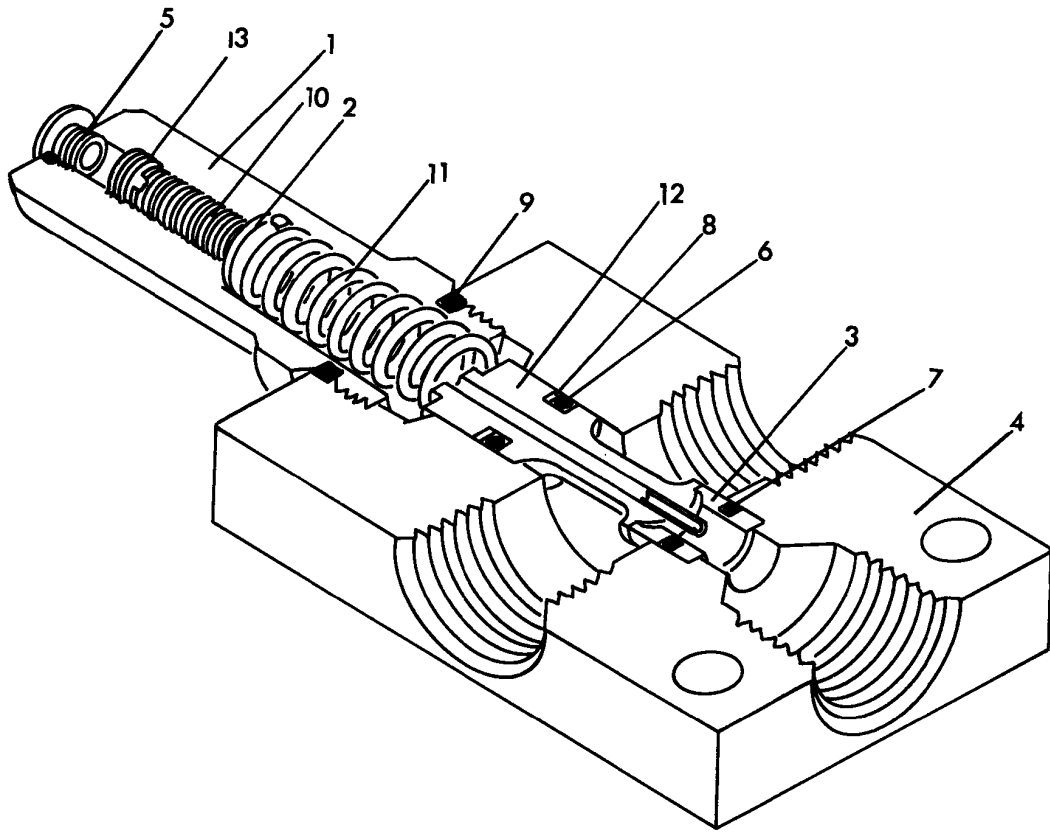
Item	FN	Part	Qty	Description
108		9926103419	1	GUIDE TUBE ASSY. INCLUDES ITEMS 109 THRU 117
109		9926100843	1	TUBE
110		9926100844	1	PLUNGER
111		9926100845	1	PIN
112		9926100846	1	PIN
113		9926100764	1	RING, QUAD
114		9926103420	1	CONE
115		7755015002	2	O-RING
116		7755908000	1	O-RING
117		9926100848	1	GUIDE
118		9926102047	1	COIL

# ***Manitowoc Cranes***

Notes

---

# Manitowoc Cranes



# Manitowoc Cranes

Description

**VALVE ASSEMBLY - RELIEF**

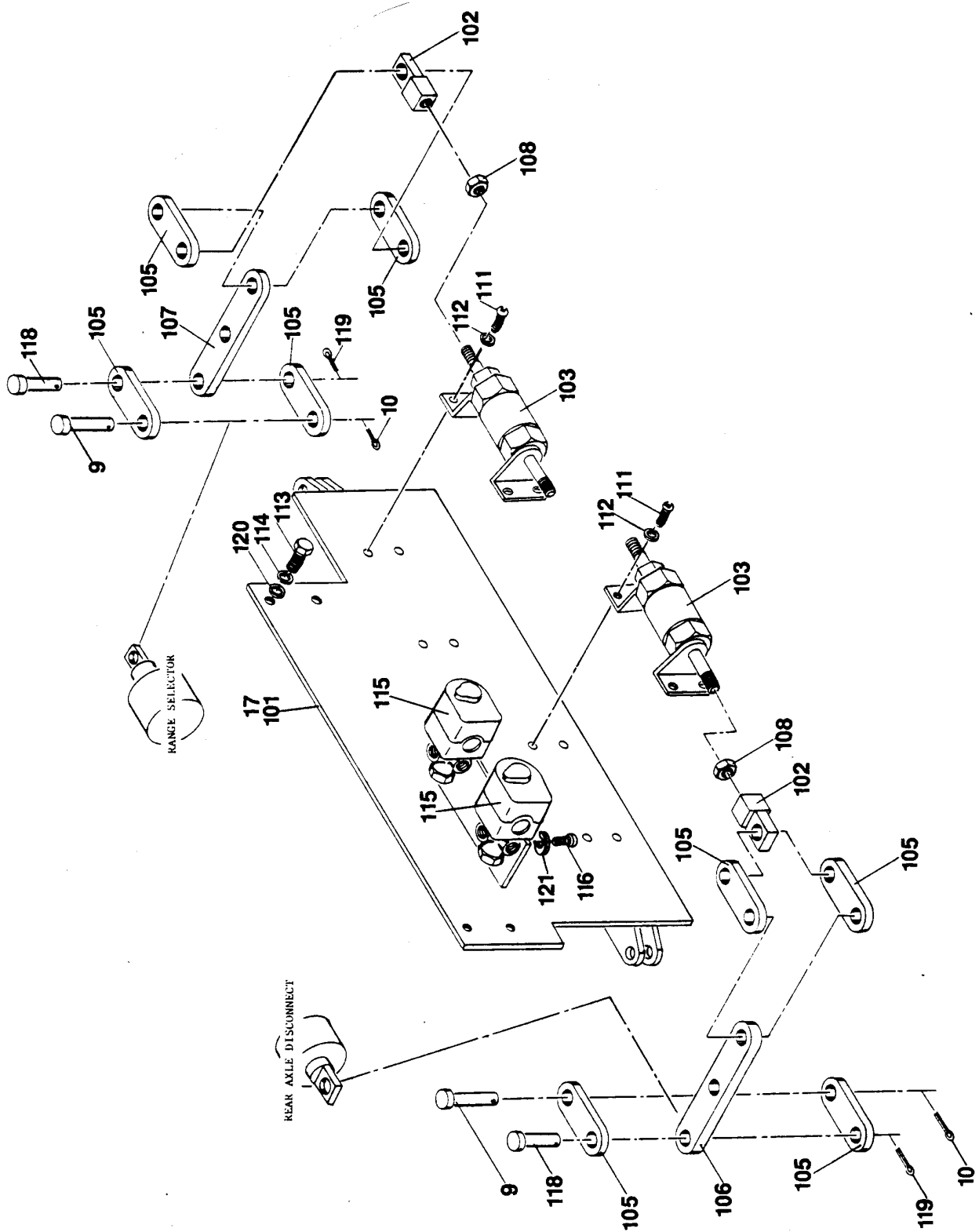
Assembly No.

**7926000701**

Revision:

Item	FN	Part	Qty	Description
1		9926102038	1	PLUG
2		9926102039	1	END, SPRING
3		9926100786	1	SEAT
4		9926102046	1	BODY
5		9926102041	1	PLUG
6		9926100147	1	O-RING
7		9926100787	1	O-RING
8		9926100789	1	RING, BACK-UP
9		9926100289	1	O-RING
10		9926102042	1	SCREW,
11		9926100607	1	SPRING
12		9926102043	1	POPPET
13		9926102044	1	LOCKSCREW

# Manitowoc Cranes



# Manitowoc Cranes

Description

**SHIFTER INSTALLATION - HI-LO**

Assembly No.

**2160700018**

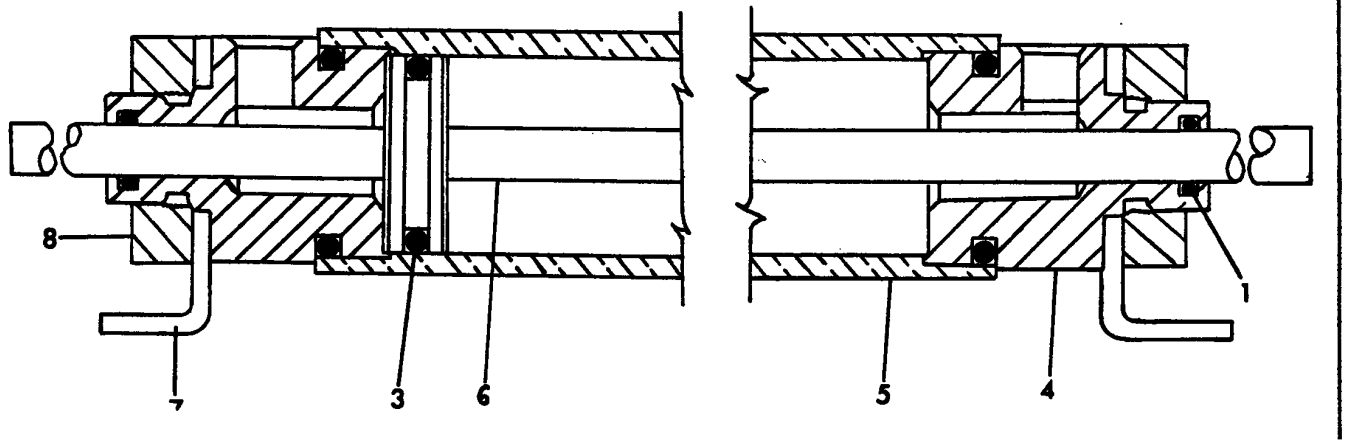
Revision: **F**

Item	FN	Part	Qty	Description
9		7690162000	2	PIN, 3/8 DIA. X 1 1/4" CLEVIS
10		7690051610	2	PIN, COTTER 1/8" X 1"
17		6049000470	1	RANGE SHIFTER ASSY - REAR AXLE INCLUDES NBR 101-121
101		2160700019	1	PLATE
102		2160700020	2	SPACER
103	+	7372000456	2	CYLINDER ASSEMBLY - AIR
105		4160700026	8	BAR, LINKAGE
106		4160700027	1	BAR, LINKAGE
107		4160700028	1	BAR, LINKAGE
108		7660150200	2	NUT, JAM 5/16" - 18 N.C. GRADE A
111		7111080510	8	SCREW, MACHINE 5/32" - 32 N.C. X 5/8" GRADE 1
112		7950080050	8	LOCKWASHER, 5/32" I.D.
113		7112160650	4	REPLACED BY 7115160650 3/8"-16 N.C. X 3/4" GRADE 5
114		7950160050	4	WASHER, LOCK 3/8" I.D.
115	=+	7926001061	2	VALVE ASSEMBLY - 3 WAY SOLENOID
115	+	7926000391	2	VALVE ASSEMBLY - 3-WAY SOLENOID
116		7101100410	4	Slot RMS #10-32UNFx0.5 G1
118		7690162000	8	PIN, 3/8 DIA. X 1 1/4" CLEVIS
119		7690051610	8	PIN, COTTER 1/8" X 1"
120		7950160141	4	WASHER, 3/8" PLAIN NARROW
121		7950100050	4	WASHER, LOCK #10

+ SEE FURTHER BREAKDOWN THIS GROUP

= REFER TO MCI FOR APPLICABLE NUMBER

# Manitowoc Cranes





# Manitowoc Cranes

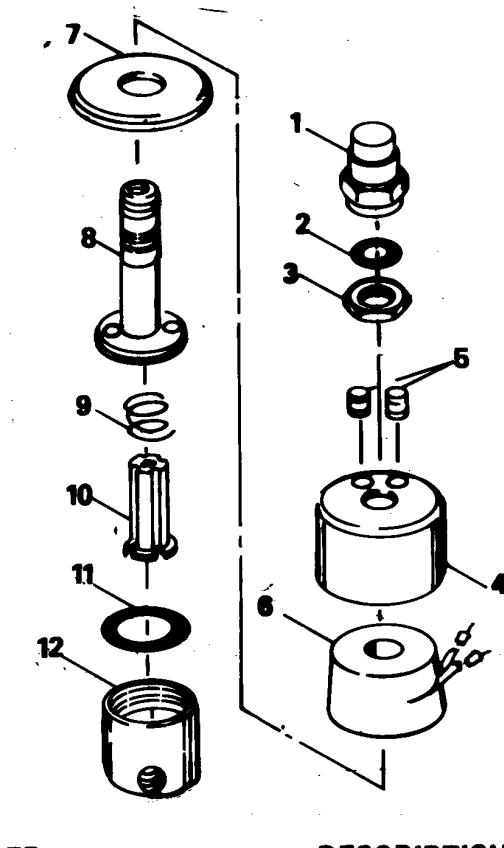
Description  
**CYLINDER ASSEMBLY - AIR**

Assembly No.  
**7372000456**  
 Revision:

Item	FN	Part	Qty	Description
1	*	NSS	2	NOT SERVICED SEPARATELY O-RING
3	*	NSS	3	NOT SERVICED SEPARATELY O-RING
4		9372100742	2	ROD,END
5		9372100694	1	TUBE, CYL
6		9372100743	1	PISTON
7		9372100744	2	BRACKET, LEG
8		9372100745	2	NUT, JAM HEX
9	*	9752100148	1	KIT, REPAIR

\* REPAIR KIT AND/OR PART OF KIT

# Manitowoc Cranes



# Manitowoc Cranes

Description

**VALVE ASSEMBLY - 3 WAY SOLENOID**

Assembly No.

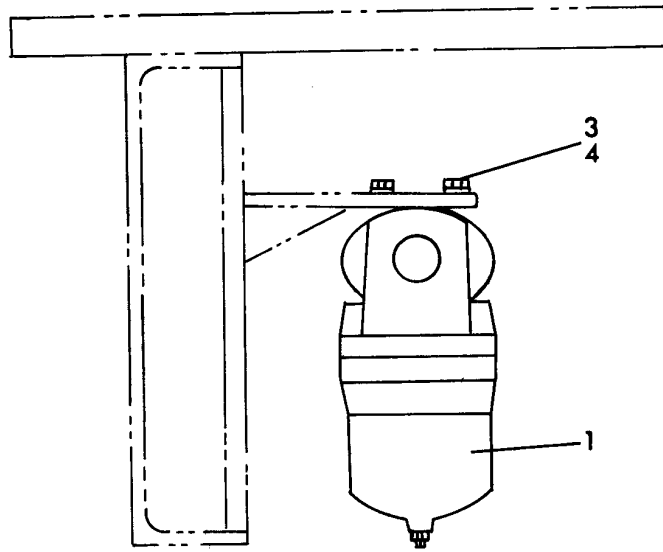
**7926001061**

Revision:

Item	FN	Part	Qty	Description
1		9926102835	1	ADAPTER
2		9926102836	1	SEAL
3		9926102837	1	NUT
4		9926102838	1	HOUSING
5		9926102839	2	GROMMETS
6		9926102840	1	COIL
7		9926102841	1	PLATE
8		9926102842	1	SLEEVE
9		9926102843	1	SPRING
10		9926102844	1	PLUNGER
11		9926102845	1	SEAL
12	#	NS	1	NOT SERVICED BODY

# SERVICED AS AN ASSEMBLY ONLY

# Manitowoc Cranes



# Manitowoc Cranes

Description

**FILTER INSTALLATION - HYDRAULIC OIL**

Assembly No.

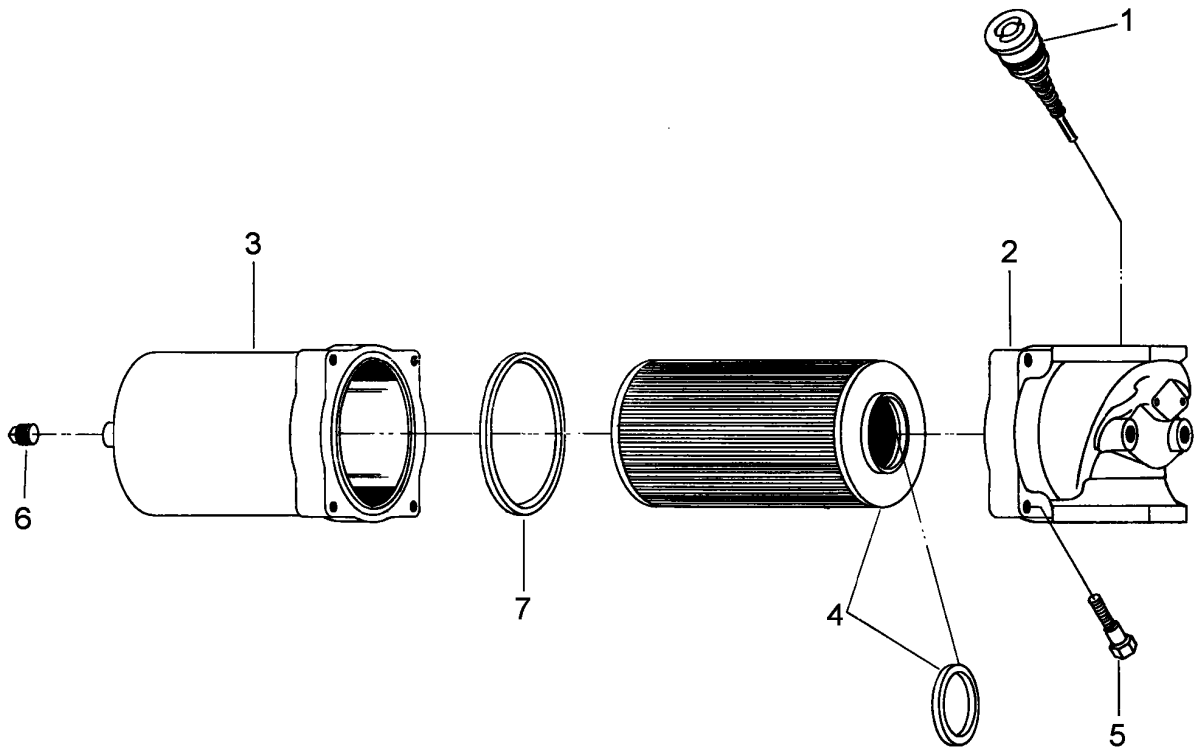
**2160800074**

Revision: **B**

Item	FN	Part	Qty	Description
1	+	7437000017	1	FILTER ASSEMBLY - OIL
3		7115181050	2	CAP SCREW, 1/2" - 13 N.C. X 1 1/4" GRADE 5
4		7950180050	2	WASHER, LOCK 1/2" I.D.

+ SEE FURTHER BREAKDOWN THIS GROUP

# Manitowoc Cranes



# Manitowoc Cranes

Description

**FILTER ASSEMBLY - OIL**

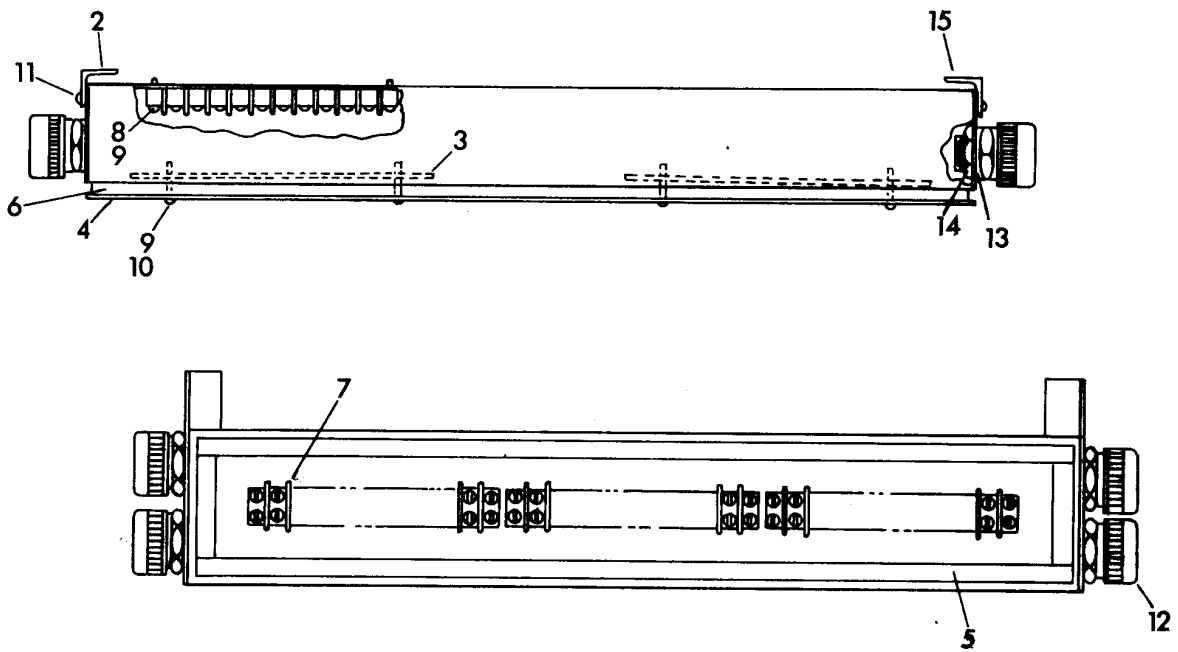
Assembly No.

**7437000017**

Revision:

Item	FN	Part	Qty	Description
1		9437100064	1	VALVE
2		9437100065	1	HEAD
3		9437100066	1	HOUSING
4		9437100071	1	ELEMENT, FILTER
5		9437100068	4	BOLTS, HEAD
6		9437100069	1	PLUG, DRAIN
7		9437100070	1	SEAL, HOUSING

# Manitowoc Cranes





# Manitowoc Cranes

Description

**ELECTRIC TERMINAL BOX INST**

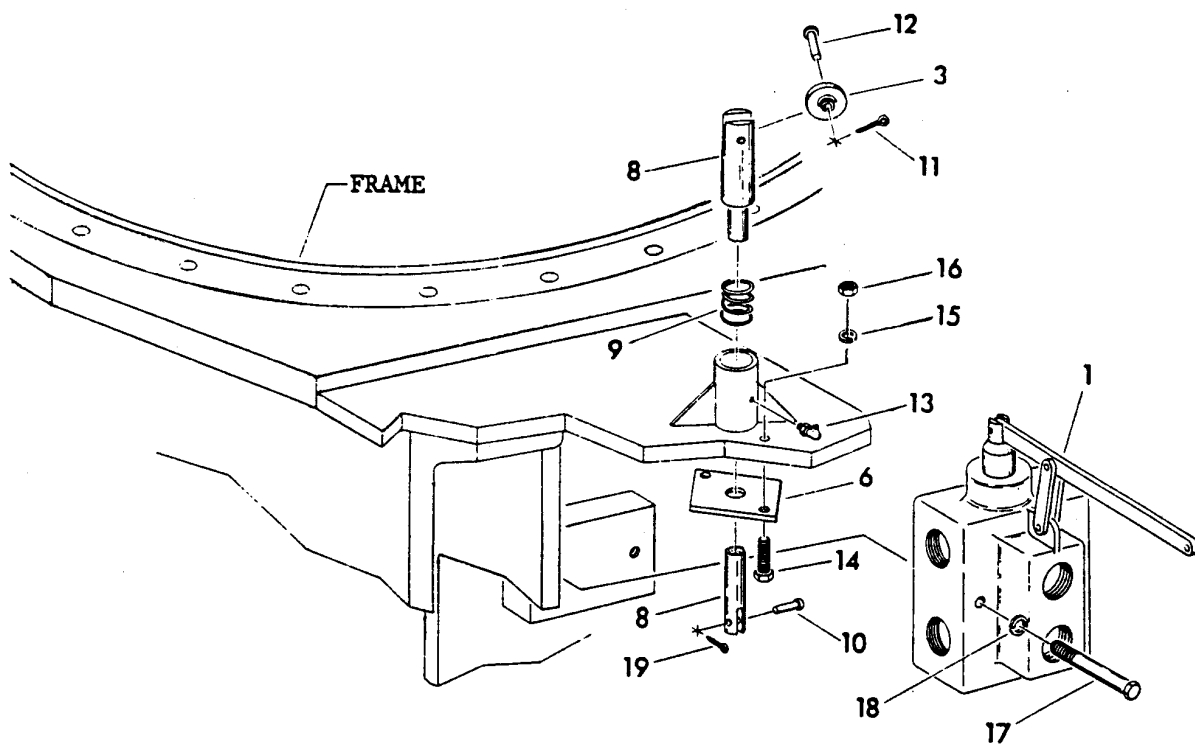
Assembly No.

**2160600174**

Revision:

Item	FN	Part	Qty	Description
2		4162600044	1	ANGLE, MOUNTING
3		4162600042	2	PLATE, LATCH
4		4162600041	1	COVER, SIDE
5		6794000136	2	GASKET
6		6794000135	2	GASKET
7		7086000085	2	BLOCK, TERMINAL
8		7111100610	12	SCREW, MACHINE 3/16" - 24 N.C. X 3/4" GRADE 1
9		7950100050	16	WASHER, LOCK #10
10		7111100810	4	SCREW, MACHINE 3/16" - 32 N.F. X 1" GRADE 1
11		7790100872	6	SCREW, PAN HEAD TAPPING 3/16" - 24 N.C. X 1/2"
12		7364000247	4	CONNECTOR, RELIEF-STRAIN
13		7754000066	4	O-RING
14		7659000047	4	LOCKNUT 1" - 11 1/2 NPS
15		4162600043	1	ANGLE, MOUNTING

# Manitowoc Cranes



# Manitowoc Cranes

Description

**AXLE INSTALLATION - REAR AXLE LOCKOUT**

Assembly No.

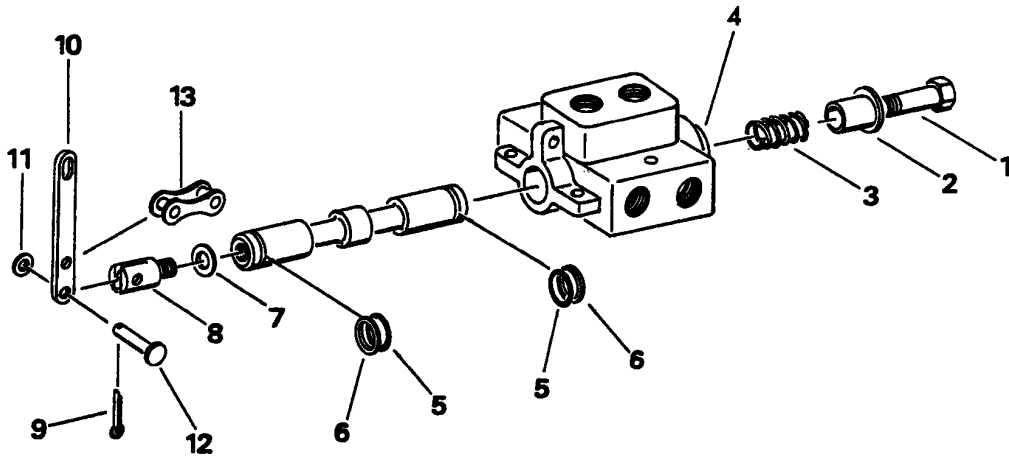
**2160700023**

Revision: **C**

Item	FN	Part	Qty	Description
1	+	7926000756	1	VALVE ASSEMBLY - SELECTOR
3		7069000100	1	BEARING
8		4160700032	1	LOCKOUT SHAFT
9		7834000037	1	SPRING
10		7690141200	1	PIN, CLEVIS 1/4" X 3/4"
11		7690051210	1	PIN, COTTER 1/8" X 3/4"
12		7690152000	1	PIN, CLEVIS
13		7440000400	1	FITTING, 90 DEGREE GREASE
14		7115141050	2	CAP SCREW, 1/4" - 20 N.C. X 1 1/4" GRADE 5
15		7950140050	2	WASHER, LOCK 1/4"
16		7660140000	2	NUT, HEX 1/4" - 20 N.C.
17		7115162250	2	CAP SCREW, 3/8" - 16 N.C. X 2 3/4" GRADE 5
18		7950160050	2	WASHER, LOCK 3/8" I.D.
19		7690001210	1	PIN, COTTER 1/16" X 3/4"

+ SEE FURTHER BREAKDOWN THIS GROUP

# Manitowoc Cranes



# Manitowoc Cranes

Description

**VALVE ASSEMBLY - SELECTOR**

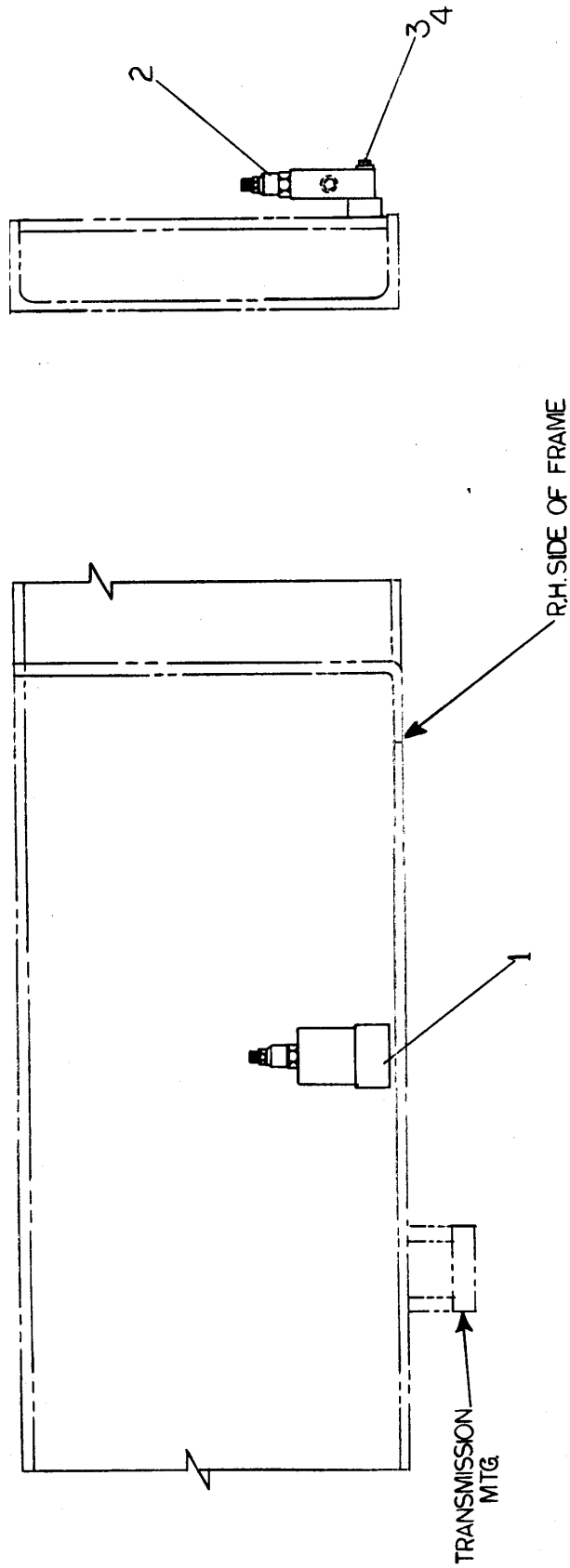
Assembly No.

**7926000756**

Revision:

Item	FN	Part	Qty	Description
1		9926102251	1	SCREW, SHOULDER
2		9926102252	1	SPOOL STOP
3		9926102253	1	SPRING
4		9926102254	1	STOP
5		7755120000	2	O-RING USE FROM JUNE 1979 TO SEPTEMBER 1981
5		7755214000	2	O-RING USE PRIOR TO JUNE 1979 AND AFTER SEPTEMBER 1981
6		7755120609	2	RING, BACK-UP USE FROM JUNE 1979 TO SEPTEMBER 1981
6		7755214609	2	RING, BACK-UP USE PRIOR TO JUNE 1979 AND AFTER SEPTEMBER 1981
7		9926102257	3	WASHER,
8		9926102258	1	CLEVIS
9		9926102259	3	PIN, COTTER
10		9926102260	1	LEVER
11		9926102261	2	WASHER,
12		7690141600	3	PIN, CLEVIS 1/4" X 1"
13		9926102263	1	LINK

# Manitowoc Cranes



# Manitowoc Cranes

Description

**FRONT STEER RELIEF VALVE INSTALLATION**

Assembly No.

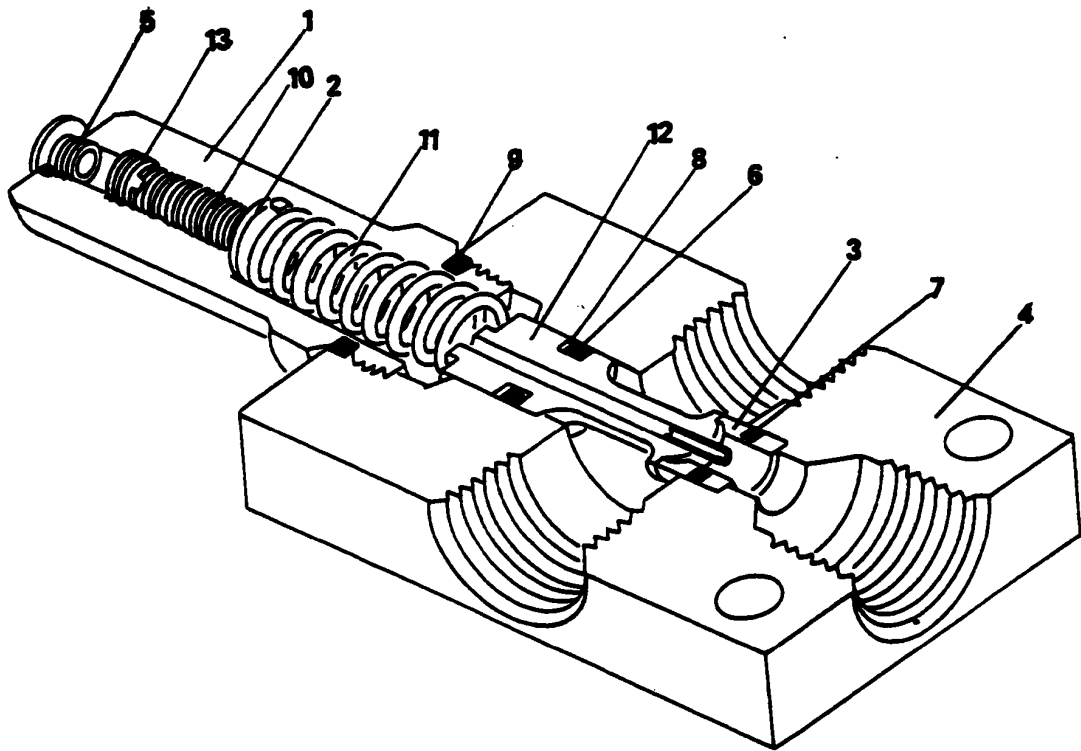
**2160600078**

Revision:

Item	FN	Part	Qty	Description
1		6705001507	1	PLATE, RELIEF VALVE MOUNTING
2	+	7926000702	1	VALVE ASSEMBLY - RELIEF (SEE SEPARATE PARTS LIST)
3		7950160050	2	WASHER, LOCK 3/8" I.D.
4		7115161650	2	CAP SCREW, 3/8" - 16 N.C. X 2" GRADE 5

+ SEE FURTHER BREAKDOWN THIS GROUP

# Manitowoc Cranes





# Manitowoc Cranes

Description

**VALVE ASSEMBLY - RELIEF (SEE SEPARATE PARTS LIST)**

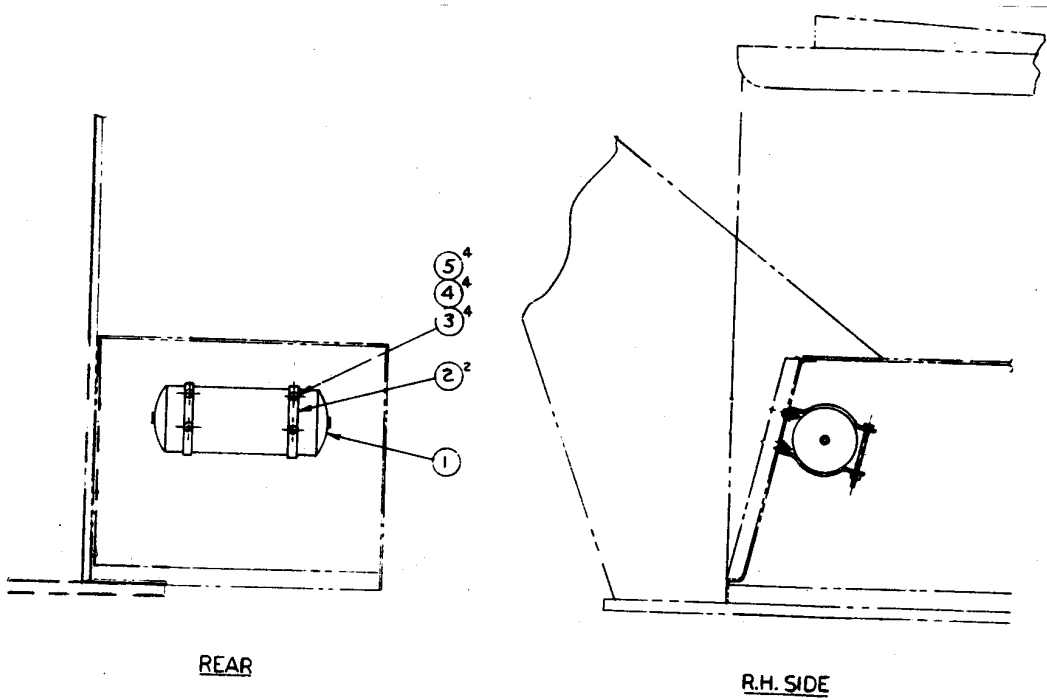
Assembly No.

**7926000702**

Revision:

Item	FN	Part	Qty	Description
1		9926102038	1	PLUG
2		9926102039	1	END, SPRING
3		9926100786	1	SEAT
4		9926102040	1	BODY
5		9926102041	1	PLUG
6		7755110000	1	O-RING
7		7755013000	1	O-RING
8		7755110609	1	RING, BACK-UP
9		7755117000	1	O-RING
10		9926102042	1	SCREW,
11		9926100607	1	SPRING
12		9926102043	1	POPPET
13		9926102044	1	LOCKSCREW

# Manitowoc Cranes



# Manitowoc Cranes

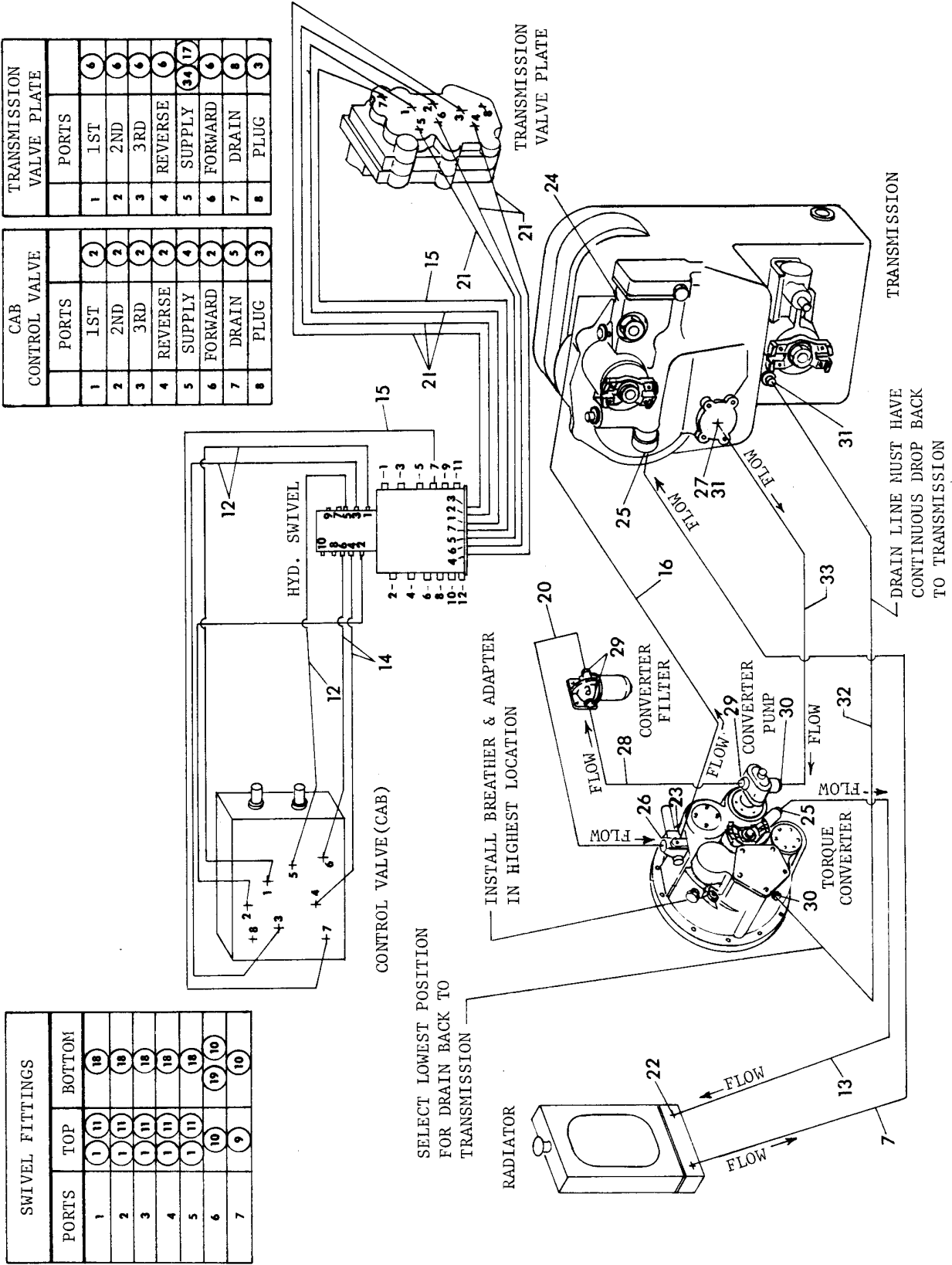
Description  
**EMERGENCY AIR TANK INSTALLATION**

Assembly No.  
**2160600138**  
 Revision: **A**

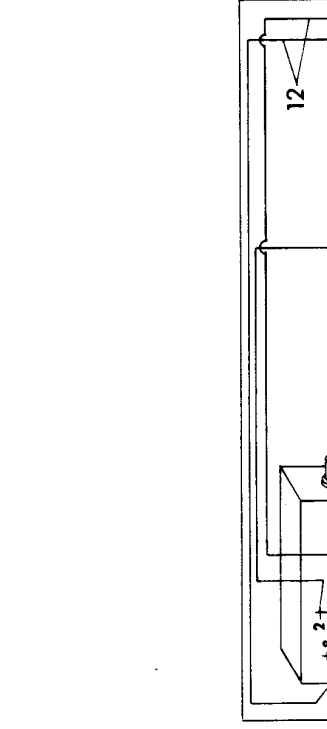
Item	FN	Part	Qty	Description
1	#	7880000013	1	RESERVOIR, AIR
2		7184000188	2	BRACKET, RESERVOIR
3		7115160650	4	CAP SCREW, 3/8" - 16 N.C. X 3/4" GRADE 5
4		7950160050	4	WASHER, LOCK 3/8" I.D.
5		7660160000	4	NUT, HEX 3/8" - 16 N.C.

# SERVICED AS AN ASSEMBLY ONLY

# Manitowoc Cranes



SWIVEL FITTINGS	
PORTS	BOTTOM
1	11
2	11
3	11
4	11
5	11
6	10
7	9



CAB CONTROL VALVE		TRANSMISSION VALVE PLATE	
PORTS		PORTS	
1	2	1	1ST
2	2	2	2ND
3	2	3	3RD
4	2	4	REVERSE
5	4	5	SUPPLY
6	2	6	FORWARD
7	5	7	DRAIN
8	3	8	PLUG

SELECT LOWEST POSITION FOR DRAIN BACK TO TRANSMISSION

INSTALL BREATHER & ADAPTER IN HIGHEST LOCATION

TRANSMISSION DRAIN LINE MUST HAVE CONTINUOUS DROP BACK TO TRANSMISSION

# Manitowoc Cranes

Description

**HYD.SHIFT TRANS.& TORQUE.LINE**

Assembly No.

**2160600069**

Revision:

Item	FN	Part	Qty	Description
1		7445020401	5	ADAPTER, STRAIGHT SWIVEL
2		7445060603	5	ADAPTER, STRAIGHT
		7755906002	1	INCLUDES THE FOLLOWING PARTS O-RING
3		7709000031	2	O-RING PLUG #6
		7755906002	1	INCLUDES THE FOLLOWING PARTS O-RING
4		7445080803	1	ADAPTER, STRAIGHT
5		7445080801	1	ADAPTER, STRAIGHT
6		7445060408	5	ELBOW, 90 DEGREE
7		6542509607	1	HOSE ASSY, USE AS REQUIRED 3/4" X 96"
8		7445080809	1	ADAPTER, SWIVEL
9		7445060804	1	ELBOW, 90 DEGREE
10		7445060801	3	ADAPTER, STRAIGHT SWIVEL
11		7445040601	5	ADAPTER, STRAIGHT SWIVEL
12		6542106405	3	HOSE ASSY, USE AS REQUIRED 1/4" X 64"
13		6542506007	1	HOSE ASSY, USE AS REQUIRED 3/4" X 60"
14		6542104005	2	HOSE ASSY, USE AS REQUIRED 5/16" X 40"
15		6542304806	2	HOSE ASSY, USE AS REQUIRED 1/2" X 48"
16		6542303606	1	HOSE ASSY, USE AS REQUIRED 1/2" X 36"
17		7445080804	1	ELBOW, 90 DEGREE
18		7445020402	5	ADAPTER, SWIVEL
19		7444000344	1	COUPLING, STRAIGHT
20		6542504807	1	HOSE ASSY, USE AS REQUIRED 7/8" X 48"
21		6542104204	5	HOSE ASSY, USE AS REQUIRED
22		7445121201	2	ADAPTER, SWIVEL
23		7445080811	1	ADAPTER, 45 DEGREE SWIVEL
		7755908002	1	INCLUDES THE FOLLOWING PARTS O-RING
24		7445080808	1	ADAPTER, SWIVEL
25		7445121211	1	ADAPTER, 45 DEGREE SWIVEL

# Manitowoc Cranes

Description

**HYD.SHIFT TRANS.& TORQUE.LINE**

Assembly No.

**2160600069**

Revision:

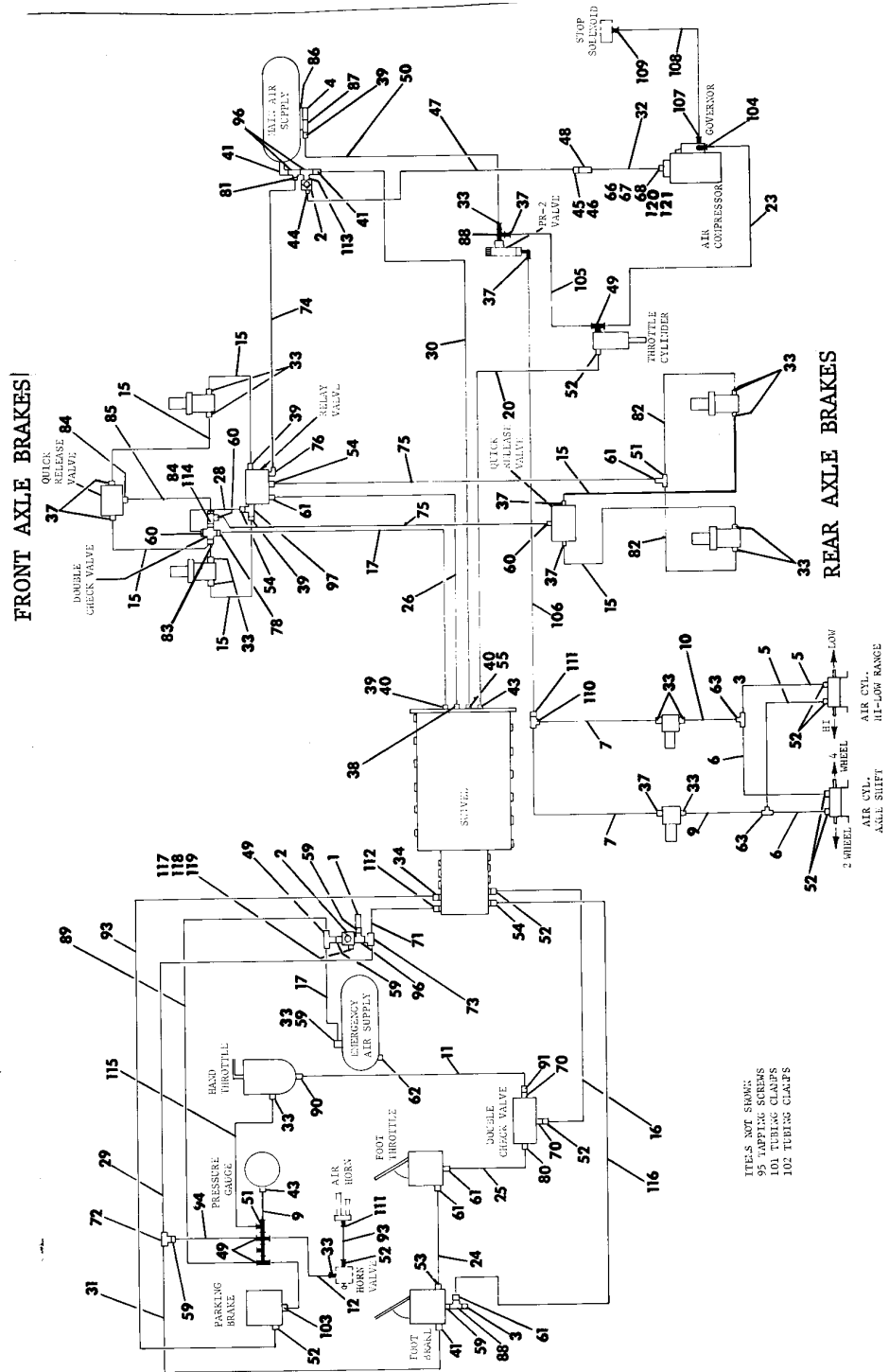
Item	FN	Part	Qty	Description
		7755912002	1	INCLUDES THE FOLLOWING PARTS
26		7445121208	2	O-RING ADAPTER, 90 DEGREE SWIVEL
		7755912002	1	INCLUDES THE FOLLOWING PARTS
27		7013000096	1	O-RING ADAPTER, FEMALE
		7755916000	1	INCLUDES THE FOLLOWING PARTS
28		6542503007	1	O-RING HOSE ASSY, USE AS REQUIRED
		7445121204	3	3/4" X 30"
29		7445161604	2	ELBOW, 90 DEGREE
30		7445161601	2	ADAPTER, SWIVEL
31		6542504809	1	ADAPTER, STRAIGHT SWIVEL
32		6542503609	1	HOSE ASSY, USE AS REQUIRED
		7013000125	1	7/8" X 48"
33		7755908002	1	HOSE ASSY, USE AS REQUIRED
			1	3/4" X 36"
34			1	ADAPTER
			1	INCLUDES THE FOLLOWING PARTS
			1	O-RING

# ***Manitowoc Cranes***

Notes

---

# Manitowoc Cranes





# Manitowoc Cranes

Description

**AIR BRAKES & THRTL. LINES INSTA**

Assembly No.

**2160600176**

Revision:

Item	FN	Part	Qty	Description
1	#	7486000266	1	INDICATOR, LOW PRESSURE
2	+	7926000207	2	VALVE ASSEMBLY - CHECK
3	#	7872000059	1	SWITCH, PRESSURE
4	#	7926000210	1	VALVE, SAFETY
5		7542000501	2	HOSE ASSY, USE AS REQUIRED 3/16" I.D. X 5"
6		7542000701	2	HOSE ASSY, USE AS REQUIRED 3/16" I.D. X 7"
7		7542000702	2	HOSE ASSY, USE AS REQUIRED 3/16" I.D. X 7"
9		7542001202	2	HOSE ASSY, USE AS REQUIRED 3/16" I.D. X 12"
10		7542001302	1	HOSE ASSY, USE AS REQUIRED 3/16" I.D. X 13"
11		7542003002	1	HOSE ASSY, USE AS REQUIRED 3/16" I.D. X 30"
12		7542003003	1	HOSE ASSY, USE AS REQUIRED 3/16" I.D. X 30"
15		7542006003	6	HOSE ASSY, USE AS REQUIRED 3/16" I.D. X 60"
16		7542006601	1	HOSE ASSY, USE AS REQUIRED
17		7542006403	2	HOSE ASSY, USE AS REQUIRED
20		7542011201	1	HOSE ASSY, USE AS REQUIRED
23	%	7542004803	1	HOSE ASSY, USE AS REQUIRED 3/16" I.D. X 48"
24		7542101405	1	HOSE ASSY, USE AS REQUIRED
25		7542102805	1	HOSE ASSY, USE AS REQUIRED
26		7542106405	1	HOSE ASSY, USE AS REQUIRED
28		7542101005	1	HOSE ASSY, USE AS REQUIRED
29		7542303606	1	HOSE ASSY, USE AS REQUIRED 1/2" I.D. X 36" LONG
30		7542304806	1	HOSE ASSY, USE AS REQUIRED HOSE ASSY, 1/2" I.D. X 48" LONG
31		7542301206	1	HOSE ASSY, USE AS REQUIRED
32		7543000303	1	HOSE ASSY, USE AS REQUIRED
33		7445040404	15	ADAPTER, 90 DEGREE SWIVEL
34		7445060404	1	ADAPTER, SWIVEL

# SERVICED AS AN ASSEMBLY ONLY  
% SEE NOTE AT END OF LIST

+ SEE FURTHER BREAKDOWN THIS GROUP

# Manitowoc Cranes

Description

**AIR BRAKES & THRTL. LINES INSTA**

Assembly No.

**2160600176**

Revision:

Item	FN	Part	Qty	Description
37		7445040401	7	ADAPTER, STRAIGHT SWIVEL
38		7445060602	1	ADAPTER, SWIVEL
39		7445060401	4	ADAPTER, STRAIGHT SWIVEL
40		7445060651	2	UNION, STRAIGHT
41		7445080804	3	ELBOW, 90 DEGREE
43		7445020202	2	ADAPTER, SWIVEL
44		7445100858	1	ELBOW, 90 DEGREE MALE
45		7445101041	1	SLEEVE, TUBE
46		7445101042	1	NUT
47	%	6911109760	1	TUBING, COPPER
48		7445101031	1	ELBOW
49		7445040412	3	ADAPTER, SWIVEL
50		7542001503	1	HOSE, 1503 X 15" LG 1/2" M
51		7445040414	2	ADAPTER, SWIVEL
52		7445020204	9	ADAPTER, 90 DEGREE SWIVEL
53		7445080601	1	ADAPTER, STRAIGHT SWIVEL
54		7445060604	3	ADAPTER, SWIVEL
55		7445060801	1	ADAPTER, STRAIGHT SWIVEL
59		7444040256	5	BUSHING, REDUCER
60		7445080604	3	ADAPTER, SWIVEL
61		7445040601	5	ADAPTER, STRAIGHT SWIVEL
62	#	7926000273	1	COCK, DRAIN
63		7445020214	2	TEE, SWIVEL
66	%	7450000049	1	FITTING, DISCHARGE
67	%	7794000241	1	GASKET
68	%	7445080804	1	ELBOW, 90 DEGREE
70		7444030154	2	REDUCER
71		7542303606	1	HOSE ASSY, USE AS REQUIRED 1/2" I.D. X 36" LONG
72		7445080813	1	ADAPTER, 90 DEGREE SWIVEL
73		7445080812	1	ADAPTER, SWIVEL
74		6911081920	1	TUBE
75		7542112005	2	HOSE ASSY, USE AS REQUIRED
76		7445080658	1	ELBOW

% SEE NOTE AT END OF LIST

# SERVICED AS AN ASSEMBLY ONLY

# Manitowoc Cranes

Description

**AIR BRAKES & THRTL. LINES INSTA**

Assembly No.

**2160600176**

Revision:

Item	FN	Part	Qty	Description
78		7445080404	1	SWIVEL ADAPTER UNION
80		7445060601	2	ADAPTER, SWIVEL
81		7445080857	1	CONNECTOR
82		7542004603	2	HOSE ASSY, USE AS REQUIRED 3/16" I.D. X 46"
83		7444040036	1	PLUG, PIPE 1/2"
84		7445080401	2	ADAPTER, STRAIGHT SWIVEL
85		7542001203	1	HOSE ASSY, USE AS REQUIRED 3/16" I.D. X 12"
86		7649000026	1	NIPPLE, HEX
87		7888000019	1	TEE
88		7888000033	2	TEE, SERVICE
89		7542009603	1	HOSE ASSY, USE AS REQUIRED 3/16" I.D. X 96"
90		7445040405	1	ADAPTER, SWIVEL
91		7445020201	1	ADAPTER, STRAIGHT
93		7542008402	2	HOSE ASSY, USE AS REQUIRED
94		7542001403	1	HOSE ASSY, USE AS REQUIRED
95		7790100653	1	SCREW, SELF-TAPPING
96		7888000057	3	TEE, SERVICE
97		7888000070	1	TEE, SERVICE
101		7300000100	1	CLAMP, TUBING 3/8" I.D.
102		7300000102	1	CLAMP, TUBING 5/8" I.D.
103		7445020404	1	ADAPTER, 90 DEGREE SWIVEL
104	%	7445020401	1	ADAPTER, STRAIGHT SWIVEL
105	%	7542015603	1	HOSE ASSY, USE AS REQUIRED 3/16" I.D. X 156" LONG
106		7542007203	1	HOSE ASSY, USE AS REQUIRED 3/16" I.D. X 72"
107	%	7445020401	1	ADAPTER, STRAIGHT SWIVEL
108	%	7542006003	1	HOSE ASSY, USE AS REQUIRED 3/16" I.D. X 60"
109	%	7445020404	1	ADAPTER, 90 DEGREE SWIVEL
110		7888000018	1	TEE

% SEE NOTE AT END OF LIST

# Manitowoc Cranes

Description

**AIR BRAKES & THRTL. LINES INSTA**

Assembly No.

**2160600176**

Revision:

Item	FN	Part	Qty	Description
111		7445020401	1	ADAPTER, STRAIGHT SWIVEL
112		7445080801	1	ADAPTER, STRAIGHT
113		7445080849	1	NIPPLE
114		7888000057	1	TEE, SERVICE
115		7542003603	1	HOSE ASSY, USE AS REQUIRED 3/16" I.D. X 36"
116		7542107005	1	HOSE ASSY, USE AS REQUIRED
117		7660170000	2	NUT, HEX 7/16" - 14 N.C.
118		7950170000	2	LOCKWASHER, 7/16" I.D.
119		4175700011	1	COLLAR, CAM MOUNTING
120	%	7111150750	2	BOLT HEX HEAD 5/16" -18 N.C. X 7/8"
121	%	7950150050	2	WASHER, LOCK 5/16" I.D.

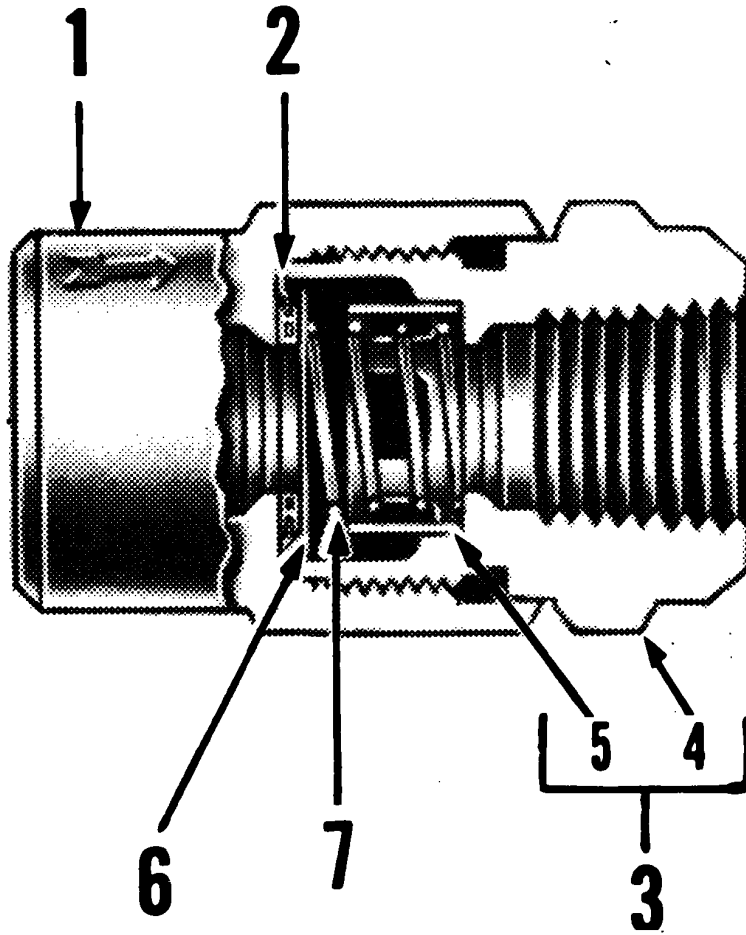
% SEE NOTE AT END OF LIST

# ***Manitowoc Cranes***

Notes

---

# Manitowoc Cranes



# Manitowoc Cranes

Description

**VALVE ASSEMBLY - CHECK**

Assembly No.

**7926000207**

Revision:

Item	FN	Part	Qty	Description
1		9926101460	1	BODY
2		9926101461	1	SEAT, VALVE
3		9926101462	1	SCREW CAP
4		9926101463	1	CAP SCREW,
5		9926101464	1	BUSHING, VALVE STOP
6		9926101465	1	VALVE, DISC
7		9926101466	1	SPRING

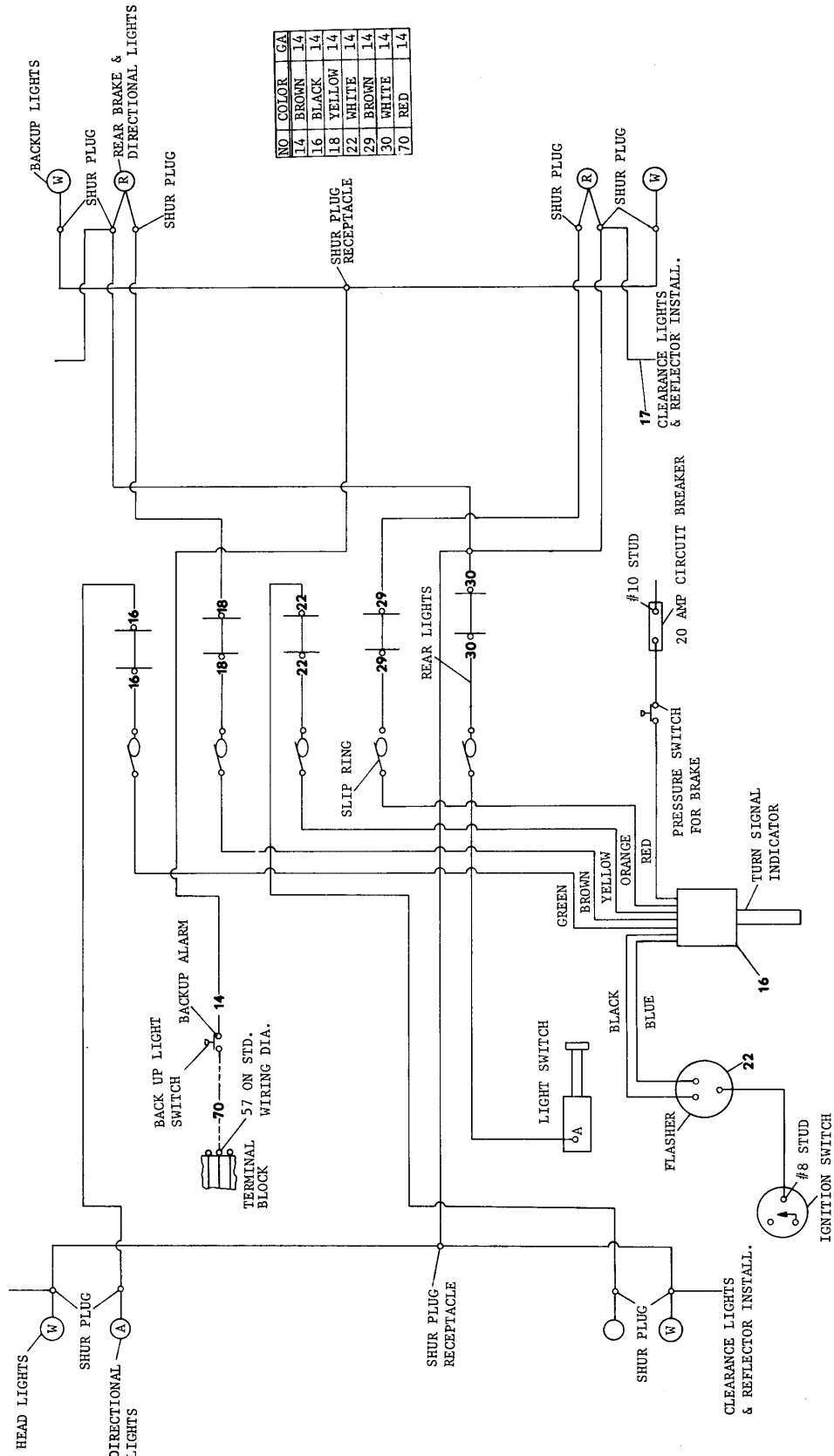
# ***Manitowoc Cranes***

Notes

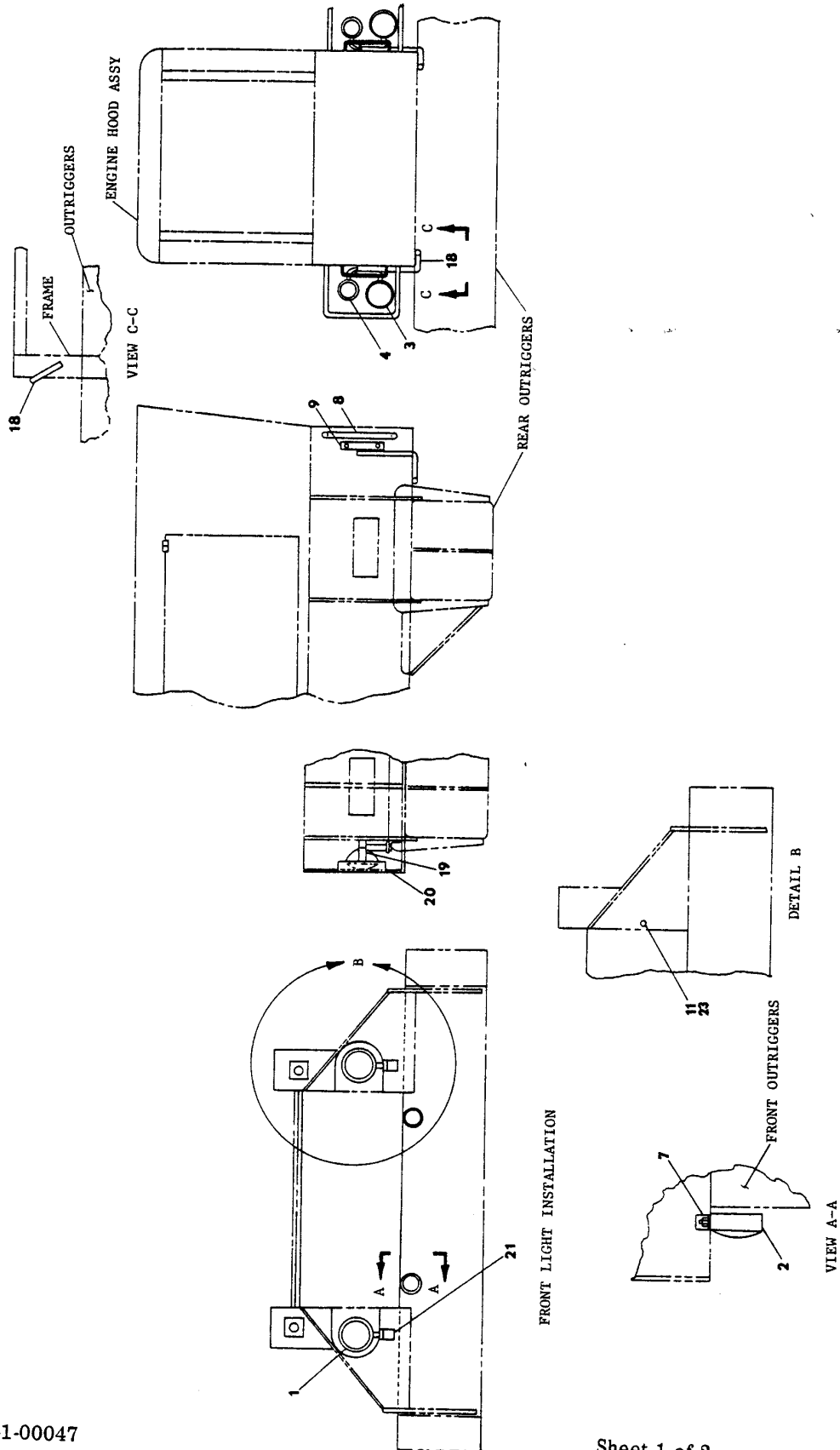
---



# Manitowoc Cranes



# Manitowoc Cranes



0-1-00047

Sheet 1 of 2

# Manitowoc Cranes

Description

**LIGHTS AND TURNSIGNAL INSTALLATION**

Assembly No.

**2160100047**

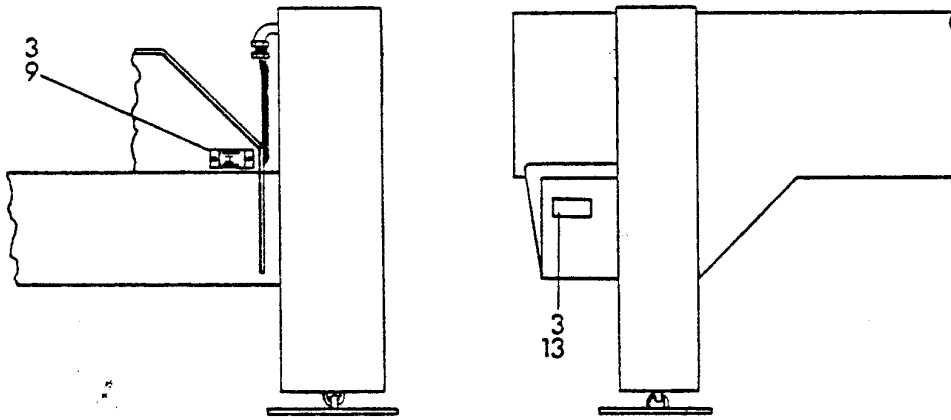
Revision:

Item	FN	Part	Qty	Description
1		7581000010	2	LIGHT, FOG/DRIVE INCLUDES THE FOLLOWING PARTS
		9581100038	1	BEAM, SEALED
2		7581000011	2	LIGHT, AMBER INCLUDES THE FOLLOWING PARTS
		9581100033	1	BULB
		9581100055	1	LENS,AMBER
3		7581000013	2	LIGHT, BACK-UP INCLUDES THE FOLLOWING PARTS
		9581100030	1	BEAM, SEALED
4		7581000012	2	LIGHT, RED TURNSIGNAL INCLUDES THE FOLLOWING PARTS
		9581100035	1	BULB
		9581100056	1	LENS,RED
8		4162100044	2	GUARD, LIGHT
9		6184000111	2	BRACKET, REAR LIGHT MOUNTING
16		6576000363	1	KIT, TURNSIGNAL
17	+	2160100016	1	CLEARANCE LIGHTS & REFLECTOR INSTALLATION (NOT AVAILABLE AS ASSEMBLY)
18		6814000076	2	PROTECTOR, WIRE
19		4122800059	2	STRAP
20		4160100048	2	COVER, LIGHT
21		4160100109	4	BRACKET, MOUNTING
22	#	7872000049	1	FLASHER, TUNG-SOL
23		6637021002	1	LOOM

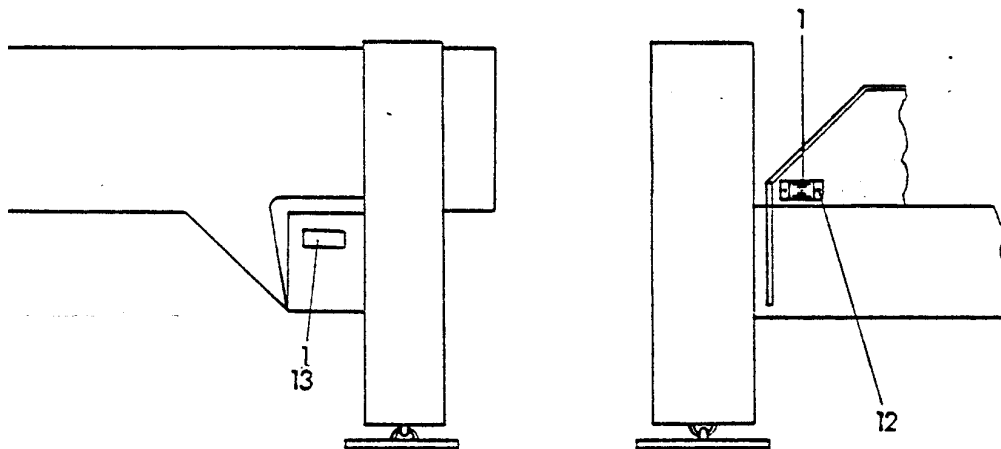
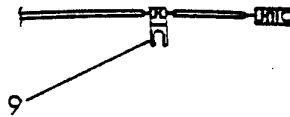
+ SEE FURTHER BREAKDOWN THIS GROUP

# SERVICED AS AN ASSEMBLY ONLY

# Manitowoc Cranes



FRONT STABILIZER



REAR STABILIZER

# Manitowoc Cranes

Description

**CLEARANCE LIGHTS & REFLECTOR INSTALLATION  
(NOT AVAILABLE AS ASSEMBLY)**

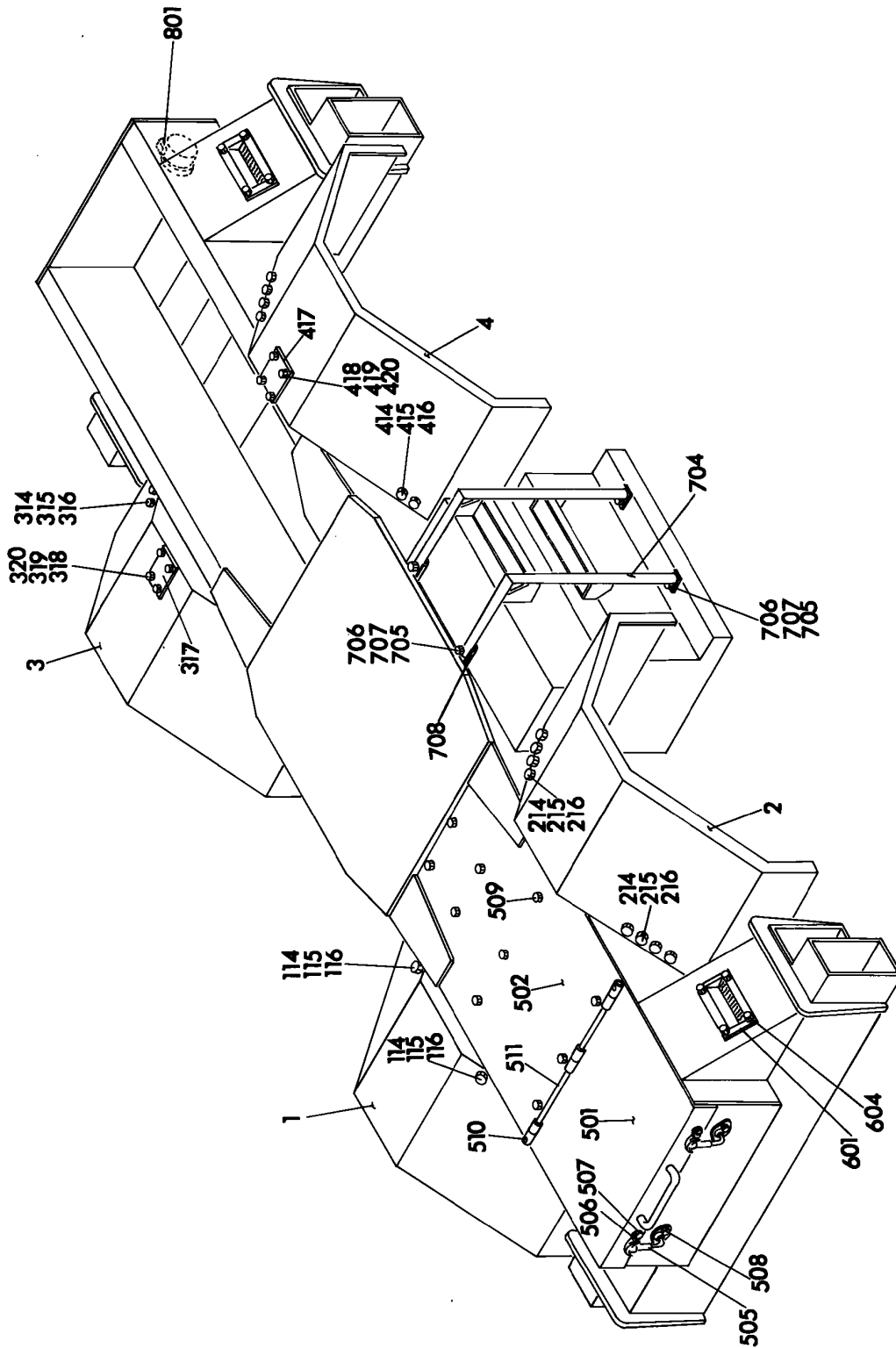
Assembly No.

**2160100016**

Revision: **K**

Item	FN	Part	Qty	Description
1		6581000177	4	LIGHT, RED INCLUDES THE FOLLOWING PARTS
		9581100036	2	BULB
		9581100071	1	LENS, RED
3		6581000178	4	LIGHT, AMBER INCLUDES THE FOLLOWING PARTS
		9581100036	2	BULB
		9581100070	1	LENS, AMBER
9		7345001509	4	SLIP-ON, FEMALE
12		7790101271	16	SCREW, SELF-TAPPING 3/16" - 24 N.C. X 3/4"
13		7791101060	16	SCREW, PAN HEAD SELF-DRILL 3/16" - 24 N.C. X 5/8"

# Manitowoc Cranes



# Manitowoc Cranes

Description

**FENDERS INSTALLATION**

Assembly No.

**6431000013**

Revision: **D**

Item	FN	Part	Qty	Description
1		6431000047	1	FENDER ASSY, RIGHT HAND FRONT INCLUDES NBRS 114 THRU 116
2		6431000045	1	FENDER ASSY, LEFT HAND FRONT INCLUDES NBRS 214 THRU 216
3		6431000051	1	FENDER ASSY, RIGHT HAND REAR INCLUDES NBRS 314 THRU 320
4		6431000049	1	FENDER ASSY, LEFT HAND REAR INCLUDES NBRS 414 THRU 420
114		7115170850	12	CAP SCREW, 7/16" - 14 N.C. X 1" GRADE 5
115		7660170000	12	NUT, HEX 7/16" - 14 N.C.
116		7950170050	12	WASHER, LOCK 7/16" I.D.
214		7115170850	12	CAP SCREW, 7/16" - 14 N.C. X 1" GRADE 5
215		7660170000	12	NUT, HEX 7/16" - 14 N.C.
216		7950170050	12	WASHER, LOCK 7/16" I.D.
314		7115170850	10	CAP SCREW, 7/16" - 14 N.C. X 1" GRADE 5
315		7660170000	10	NUT, HEX 7/16" - 14 N.C.
316		7950170050	10	WASHER, LOCK 7/16" I.D.
317		6705004098	1	PLATE, COVER
318		7115150850	4	CAP SCREW, 5/16" - 18 N.C. X 1" GRADE 5
319		7660150000	4	NUT, HEX 5/16" - 18 N.C.
320		7950150050	4	WASHER, LOCK 5/16" I.D.
414		7115170850	10	CAP SCREW, 7/16" - 14 N.C. X 1" GRADE 5

# Manitowoc Cranes

Description

**FENDERS INSTALLATION**

Assembly No.

**6431000013**

Revision: **D**

Item	FN	Part	Qty	Description
415		7660170000	10	NUT, HEX 7/16" - 14 N.C.
416		7950170050	10	WASHER, LOCK 7/16" I.D.
417		6705004098	1	PLATE, COVER
418		7115150850	4	CAP SCREW, 5/16" - 18 N.C. X 1" GRADE 5
419		7660150000	4	NUT, HEX 5/16" - 18 N.C.
420		7950150050	4	WASHER, LOCK 5/16" I.D.
501		2160100065	1	COVER, STORAGE
502		2161100001	1	PLATE, DECK
505		7585000002	2	FASTENER, HOOD
506		7585000003	2	BRACKET, HOOD FASTENER
507		7790100653	4	SCREW, SELF-TAPPING
508		7790140853	4	SCREW, SELF-TAPPING 1/4" - 20 N.C. X 1/2"
509		7790161253	7	SCREW, 3/8" - 16 N.C. X 3/4"
510		7785140400	2	SET SCREW 1/4" -20 N.C. X 1/4"
511		6810001205	1	SHAFT
601		6278000007	4	CASTING, STEP ACCESS
604		7790141653	16	SCREW, SELF-TAPPING 1/4" - 20 N.C. X 1" GRADE 1
704		6869000288	1	LADDER
705		7115161450	4	CAP SCREW, 3/8" - 16 N.C. X 1 3/4" GRADE 5
706		7950160050	4	WASHER, LOCK 3/8" I.D.
707		7660160000	4	NUT, HEX 3/8" - 16 N.C.
708		6608000236	2	LUG, MOUNTING
801	#	7025000026	1	SYSTEM, ALARM

# SERVICED AS AN ASSEMBLY ONLY

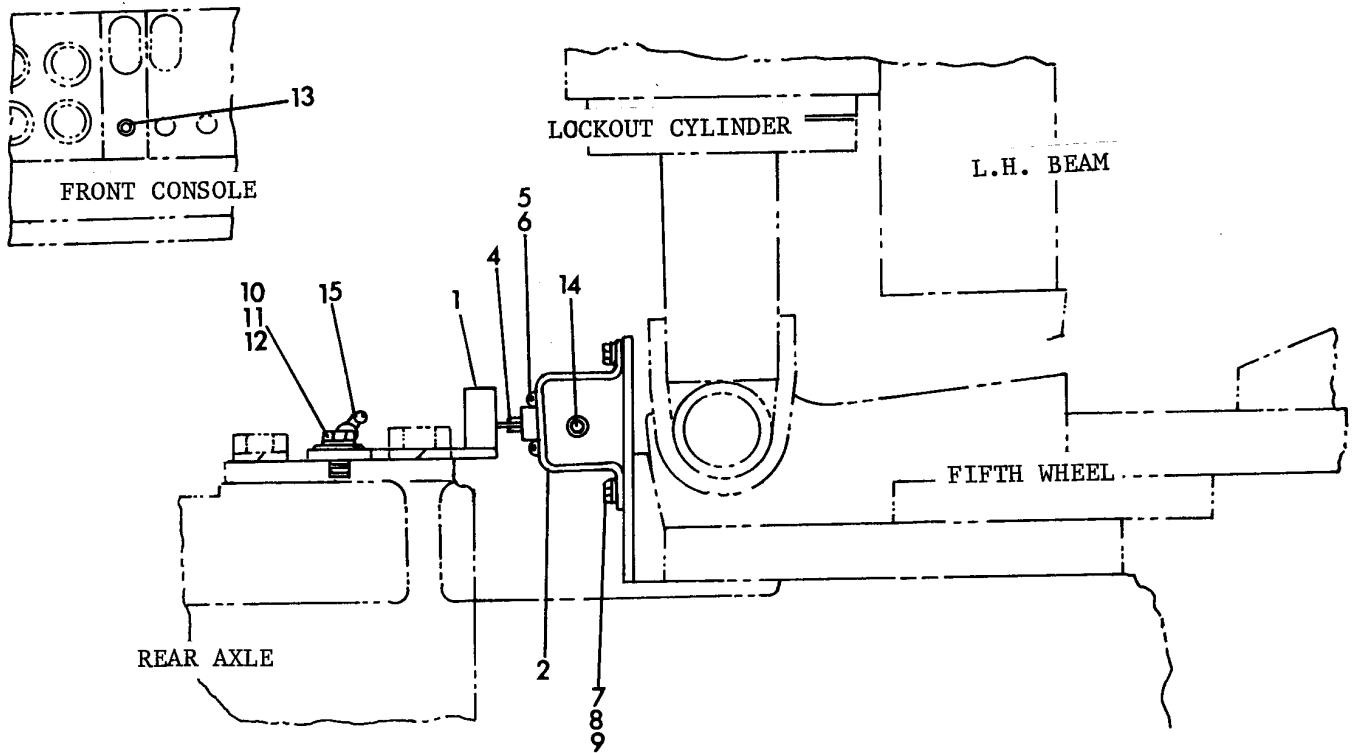


# ***Manitowoc Cranes***

Notes

---

# Manitowoc Cranes



# Manitowoc Cranes

Description

**REAR STEER INDICATOR INSTALL**

Assembly No.

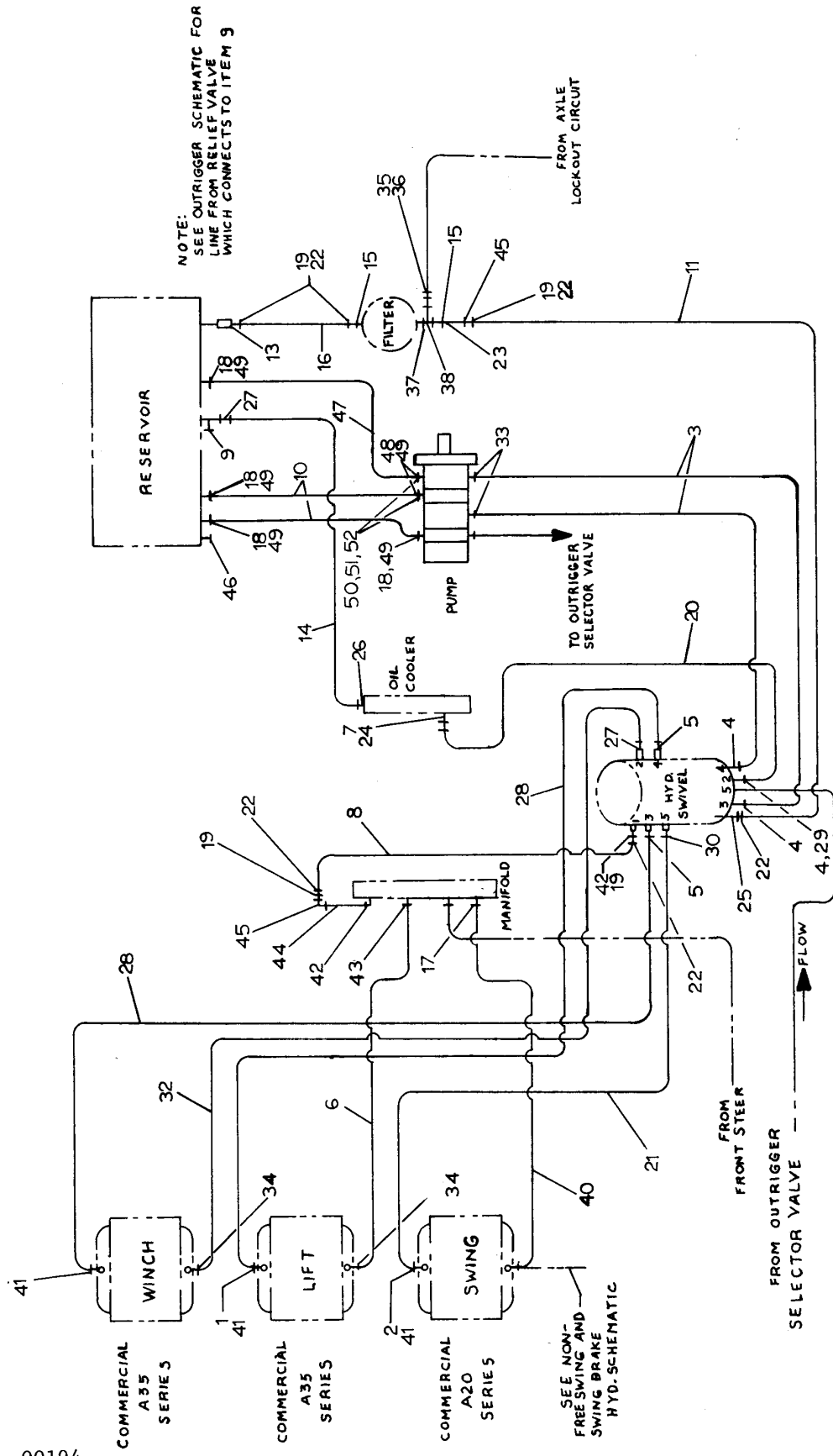
**2160700027**

Revision:

Item	FN	Part	Qty	Description
2		2160700029	1	BOX, SWITCH MOUNTING
4	#	7872000101	1	SWITCH, 24 VOLT
9		7950140141	4	WASHER, FLAT 1/4" PLAIN NARROW
13		7581000116	1	LIGHT, RED
		7581000165	1	INCLUDES THE FOLLOWING PARTS BULB, 12 VOLT
		7581000166	1	RED
14		7506000003	1	GROMMET, RUBBER .19" I.D.

# SERVICED AS AN ASSEMBLY ONLY

# Manitowoc Cranes



-00194

# Manitowoc Cranes

Description

**SUPPLY, PRESSURE & RETURN INS**

Assembly No.

**2160600194**

Revision:

Item	FN	Part	Qty	Description
1		6406000066	2	ELBOW INCLUDES THE FOLLOWING PARTS
		7755916000	1	O-RING
2		6406000068	1	ELBOW, 45 DEGREE MODIFIED INCLUDES THE FOLLOWING PARTS
		7755912002	1	O-RING
3		7545608480	2	HOSE ASSY, USE AS REQUIRED 1" I.D. X 84"
4		7445161601	3	ADAPTER, STRAIGHT SWIVEL
5		7445161604	2	ADAPTER, SWIVEL
6		7542601810	1	HOSE ASSY, USE AS REQUIRED
7		7445202001	1	ADAPTER, SWIVEL
8		7544801790	1	HOSE ASSY, USE AS REQUIRED
9		7888000045	1	TEE
10		7543000306	2	HOSE ASSY, USE AS REQUIRED
11		7544801190	1	HOSE ASSY, USE AS REQUIRED
12	%	7445121211	1	ADAPTER, 45 DEGREE SWIVEL INCLUDES THE FOLLOWING PARTS
	%	7755912002	1	O-RING
13	#	7926000045	1	VALVE, CHECK
14		7542614410	1	HOSE ASSY, USE AS REQUIRED 1 1/8" I.D. X 144"
15		7444121270	2	ELBOW, 90 DEGREE
16		7544803490	1	HOSE ASSY, USE AS REQUIRED
17		7445121209	1	ELBOW, 45 DEGREE MALE
18	#	7450000016	4	FLANGE, SPLIT
19		7013000028	5	ADAPTER
20		7542615610	1	HOSE ASSY, USE AS REQUIRED
21		7545506020	1	HOSE ASSY, USE AS REQUIRED 3/4" I.D. X 60" LONG
22		7300000020	6	CLAMP, 2 1/2" MAX HOSE
23		6650120140	1	NIPPLE
24		7445202004	1	ADAPTER, SWIVEL
25		6013000068	1	ADAPTER
26		7445202099	1	ADAPTER, SWIVEL
27		7445162004	2	ADAPTER, 90 DEGREE SWIVEL
28		7545606080	2	HOSE ASSY, USE AS REQUIRED 1" X 60"

% SEE NOTE AT END OF LIST

# SERVICED AS AN ASSEMBLY ONLY

# Manitowoc Cranes

Description

**SUPPLY, PRESSURE & RETURN INS**

Assembly No.

**2160600194**

Revision:

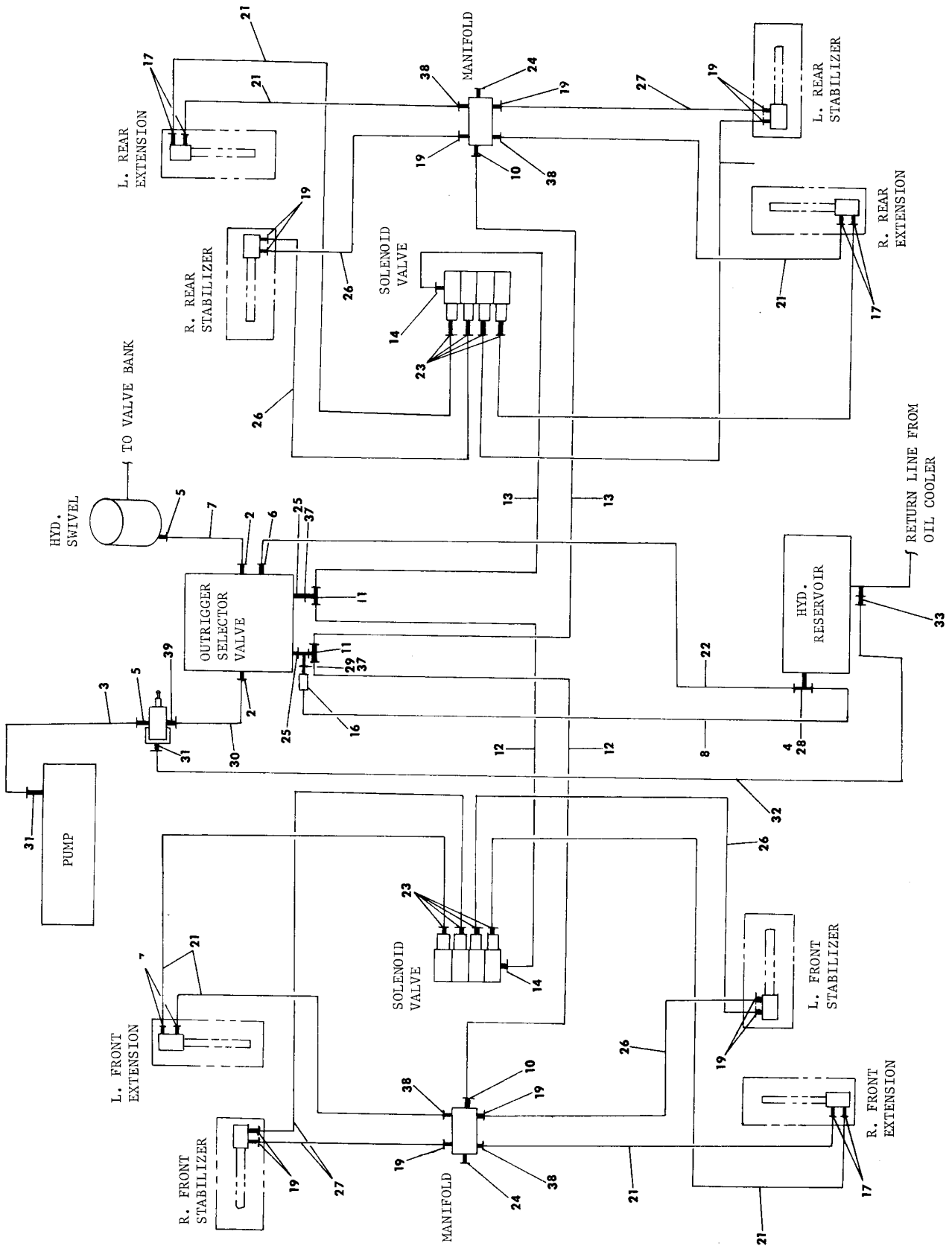
Item	FN	Part	Qty	Description
29		7445162001	3	ADAPTER, SWIVEL
30		7445121204	1	ELBOW, 90 DEGREE

# ***Manitowoc Cranes***

Notes

---

# Manitowoc Cranes





# Manitowoc Cranes

Description

**OUTRIGGER HYD. SCHEMATIC**

Assembly No.

**2160600173**

Revision:

Item	FN	Part	Qty	Description
2		7445141208	2	ADAPTER, SWIVEL
3		7545506080	1	HOSE ASSY, USE AS REQUIRED 3/4" X 60"
4		7445060612	1	ADAPTER, SWIVEL UNION TEE
5		7445121201	2	ADAPTER, SWIVEL
6		7445040403	1	ADAPTER, STRAIGHT
		7755904002	1	INCLUDES THE FOLLOWING PARTS O-RING
7		7545503620	1	HOSE ASSY, USE AS REQUIRED 3/4" I.D. X 36"
8		7542104805	1	HOSE ASSY, USE AS REQUIRED 5/16" I.D. X 48"
10		7445080809	2	ADAPTER, SWIVEL
11		7445080812	2	ADAPTER, SWIVEL
12		7545312020	2	HOSE ASSY, 1/2" X 120"
13		7545310820	2	HOSE ASSY, USE AS REQUIRED 1/2" I.D. X 108"
14		7445080808	2	ADAPTER, SWIVEL
16	+	7926000287	1	VALVE, PRESSURE RELIEF
17		7445060609	8	ELBOW, 45 DEGREE
19		7445060605	12	ADAPTER, 90 DEGREE SWIVEL
21		7545206020	8	HOSE ASSY, USE AS REQUIRED 3/8" I.D. X 60"
22		7542004803	1	HOSE ASSY, USE AS REQUIRED 3/16" I.D. X 48"
23		7445080611	8	SWIVEL ADAPTER, UNION - 90 45 DEGREE ELBOW 7755908002 O-RING .644" I.D.
24		7444040036	2	PLUG, PIPE 1/2"
25		7445141203	2	SWIVEL ADAPTER, STRAIGHT
26		7545218020	4	HOSE ASSEMBLY 3/8"
27		7545219220	4	HOSE ASSEMBLY 3/8"
28		7445060401	1	ADAPTER, STRAIGHT SWIVEL
29		7888000037	1	TEE, SERVICE
30		7545501280	1	HOSE ASSY, USE AS REQUIRED 3/4" I.D. X 12"

+ SEE FURTHER BREAKDOWN THIS GROUP

# Manitowoc Cranes

Description

**OUTRIGGER HYD. SCHEMATIC**

Assembly No.

**2160600173**

Revision:

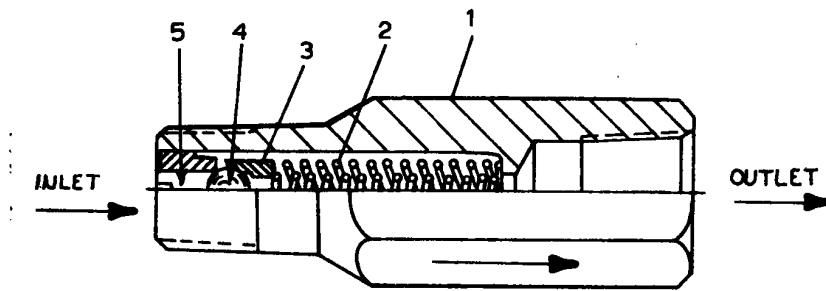
Item	FN	Part	Qty	Description
31		7445121204	2	ELBOW, 90 DEGREE
32		7542506007	1	HOSE ASSY, USE AS REQUIRED
33		7445161201	1	ADAPTER, SWIVEL (REQUIRED WITH HENDRICKSON CARRIER)
37		7445120804	2	ADAPTER, 90 DEGREE SWIVEL
38		7445060604	4	ADAPTER, SWIVEL
39		7445121209	1	ELBOW, 45 DEGREE MALE

# ***Manitowoc Cranes***

Notes

---

# Manitowoc Cranes



# Manitowoc Cranes

Description

**VALVE, PRESSURE RELIEF**

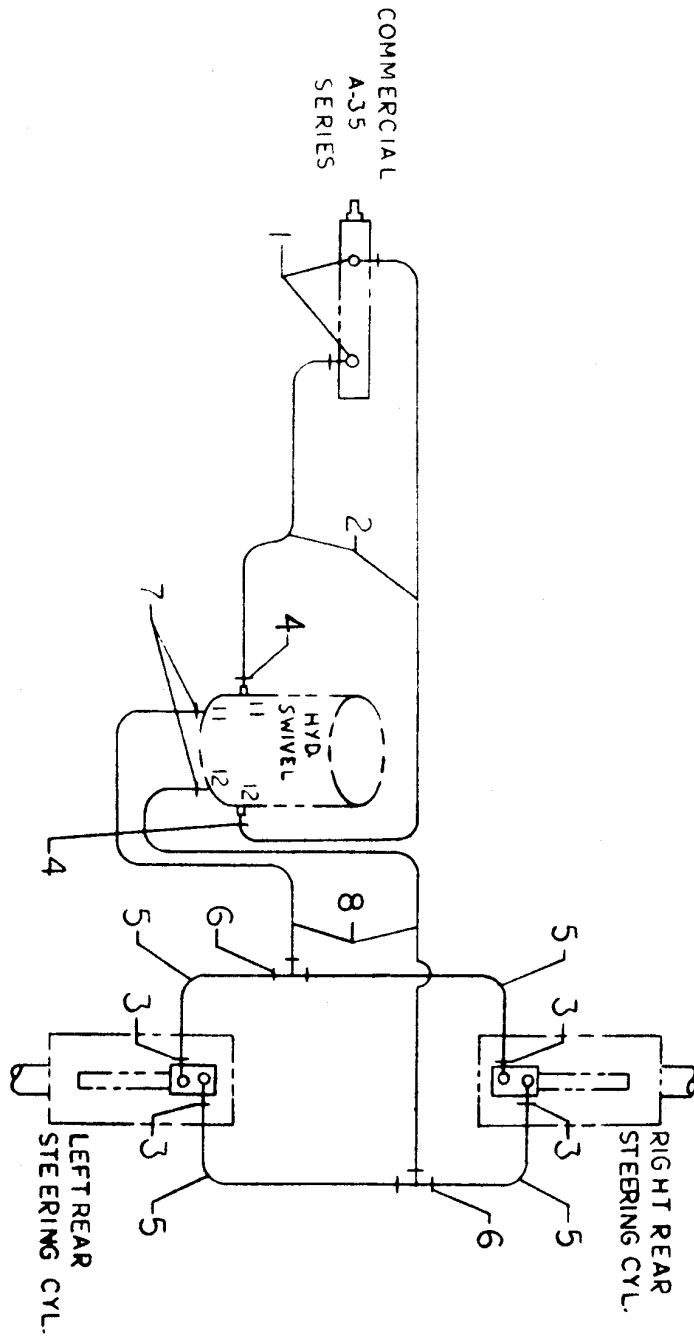
Assembly No.

**7926000287**

Revision:

Item	FN	Part	Qty	Description
1		9926101482	1	BODY
2		9926101483	1	SPRING
3		9926101484	1	GUIDE
4		9926101485	1	STEEL BALL SET
5		9926101486	1	BALL SET

# Manitowoc Cranes



# Manitowoc Cranes

Description

**LINES INSTALL - REAR STEER HYD**

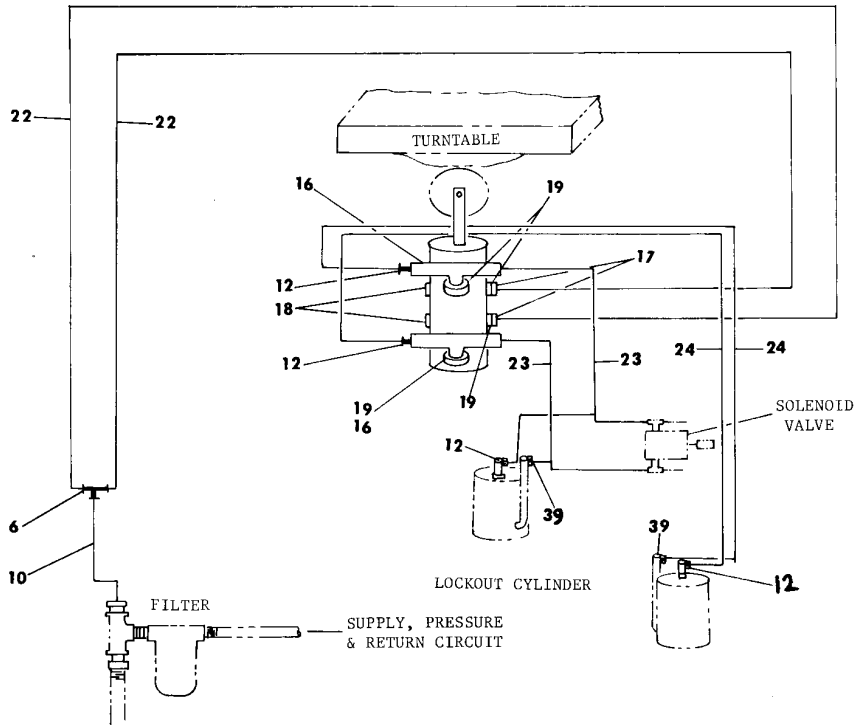
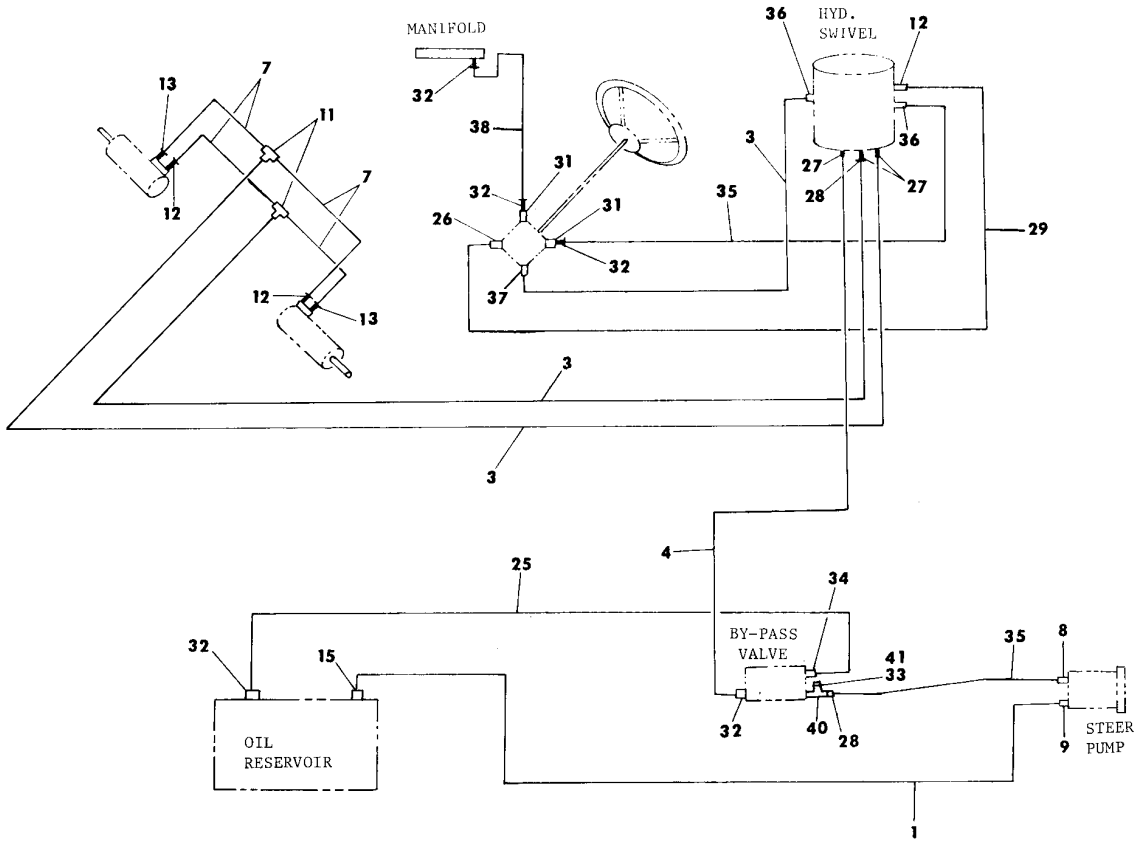
Assembly No.

**2160600059**

Revision:

Item	FN	Part	Qty	Description
1		7445120611	2	ADAPTER, SWIVEL
		7755912000	1	INCLUDES THE FOLLOWING PARTS O-RING
2		7545204820	2	HOSE ASSY, USE AS REQUIRED 3/8" I.D. X 48" LONG
3		7445060609	4	ELBOW, 45 DEGREE
4		7445060604	2	ADAPTER, SWIVEL
5		7545201220	4	HOSE ASSY, USE AS REQUIRED 3/8" I.D. X 12"
6		7445060613	2	ADAPTER
7		7445060601	2	ADAPTER, SWIVEL
8		7545209620	2	HOSE ASSY, USE AS REQUIRED

# Manitowoc Cranes





# Manitowoc Cranes

Description

**AXLE LOCKOUT & FRONT STEER HYD**

Assembly No.

**2160600153**

Revision:

Item	FN	Part	Qty	Description
1		7545608420	1	HOSE ASSY, USE AS REQUIRED 1" I.D. X 84"
3		7545308420	3	HOSE ASSY, USE AS REQUIRED
4		7545304820	1	HOSE ASSY, 1/2" X 48"
6		7445060613	1	ADAPTER
7		7545201220	4	HOSE ASSY, USE AS REQUIRED 3/8" I.D. X 12"
8		7445080801	1	ADAPTER, STRAIGHT
9		7445121609	1	ADAPTER, SWIVEL
10		7542107005	1	HOSE ASSY, USE AS REQUIRED
11		7445080613	2	SWIVEL ADAPTER, UNION - 90 TEE
12		7445060604	7	ADAPTER, SWIVEL
13		7445060605	2	ADAPTER, 90 DEGREE SWIVEL
15		7445161604	1	ADAPTER, SWIVEL
16		7445080612	2	ADAPTER
17		7445080604	2	ADAPTER, SWIVEL
18		7444060036	2	PLUG, PIPE 3/4" NPTM
19		7444060456	4	BUSHING, REDUCER
22		7542101205	2	HOSE ASSY, USE AS REQUIRED 5/16" I.D. X 12"
23		7545203620	2	HOSE ASSY, USE AS REQUIRED 3/8" I.D. X 36" LONG
24		7545203620	2	HOSE ASSY, USE AS REQUIRED 3/8" I.D. X 36" LONG
25		7545302420	1	HOSE ASSY, 1/2" X 24"
26		7445080608	1	ADAPTER, SWIVEL INCLUDES THE FOLLOWING PARTS
		7755908002	1	O-RING
27		7445060801	3	ADAPTER, STRAIGHT SWIVEL
28		7445080809	2	ADAPTER, SWIVEL
29		7545207220	1	HOSE ASSY, USE AS REQUIRED 3/8" I.D. X 72"
31		7445080803	2	ADAPTER, STRAIGHT
32		7445080804	5	ELBOW, 90 DEGREE
33		7444020016	1	PLUG, PIPE 1/4" N.P.T.

# Manitowoc Cranes

Description

**AXLE LOCKOUT & FRONT STEER HYD**

Assembly No.

**2160600153**

Revision:

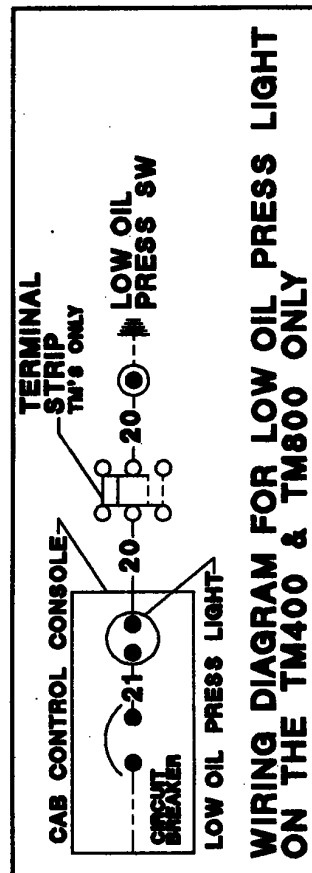
Item	FN	Part	Qty	Description
34		6013000017	1	ADAPTER, SWIVEL
35		7545307220	2	HOSE ASSY, USE AS REQUIRED 1/2" I.D. X 72" LONG
36		7445060804	2	ELBOW, 90 DEGREE
37		7445080808	1	ADAPTER, SWIVEL
38		7542309606	1	HOSE ASSY, USE AS REQUIRED
39		7445060607	2	ADAPTER, SWIVEL
40		7888000031	1	TEE, SERVICE
41		7445080450	1	BUSHING, REDUCER

<b>CIRCUITS</b>			
WIRE NBR	COLOR	AWG	REMARKS
1	GREEN	10	
2	WHITE	14	
3	PURPLE	14	
4	BROWN	14	2ND OPT START
5	RED	-	2ND OPT START
6	ORN	-	
7	YEL	14	
8	YEL	14	
9	LT GRN	14	
10	RED	14	
11	RED	6	
12	GREEN	10	
13		-	*
14		-	*
15		-	*
16		-	*
17	BLACK	10	
18		-	*
19	ORN	-	2ND OPT START
20	TAN	14	
21	BLUE	14	

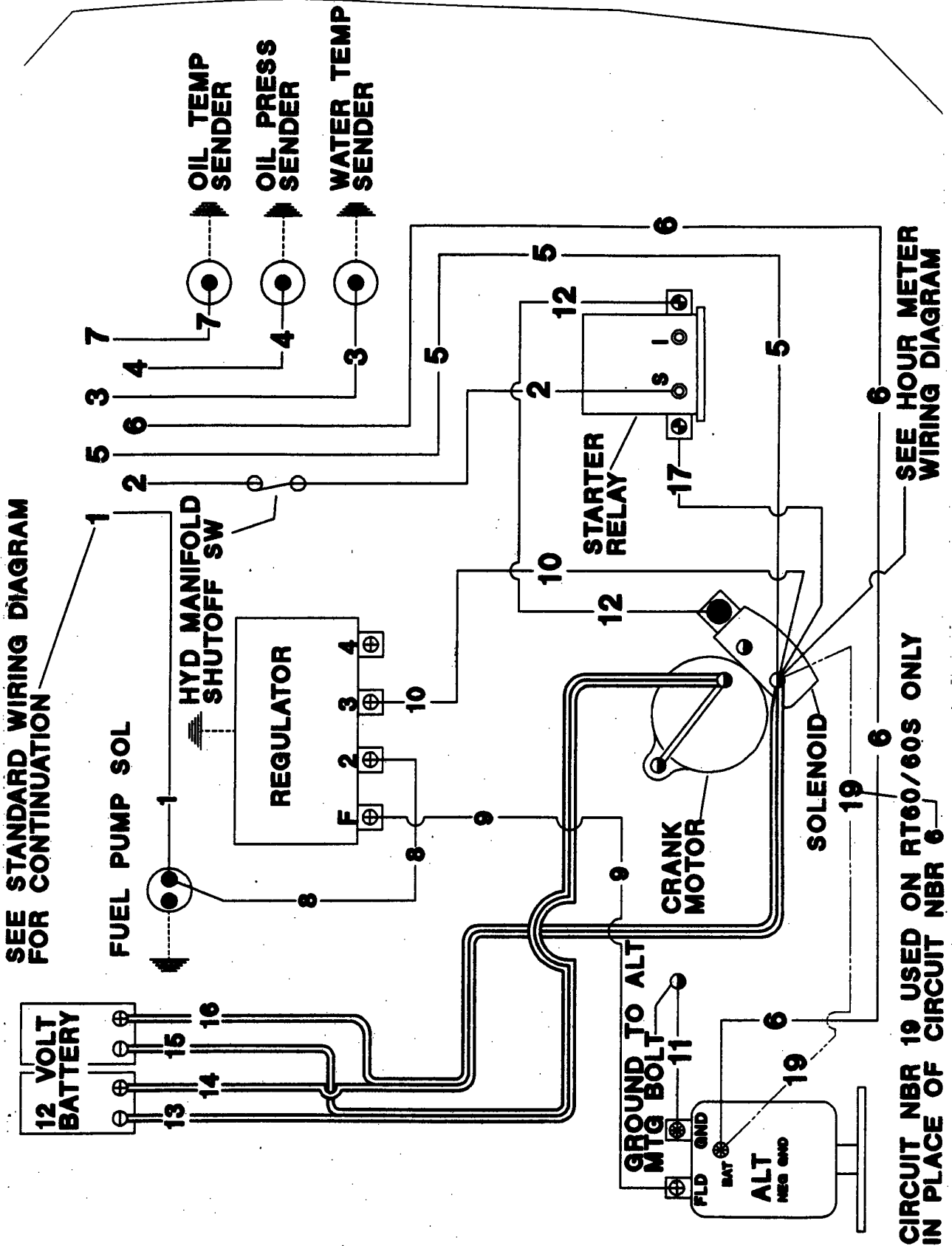
\* = SEE ENGINE INSTALLATION FOR CALLOUT

<b>OPTION CHART</b>				
WIRE NBR	WIRE X		WIRE GA	
	RT	TM	RT	TM
5	X	X	10	6
6	-	X	-	6
19	X	-	10	-

- 1- SEE STANDARD WIRING DIAGRAM FOR CONTINUATION OF CIRCUITS NBR 1 THRU 7
- 2- WIRE NBR 7 USED ONLY ON RTSS
- 3- HYD MANIFOLD SHUT-OFF SW IS FOR TM'S ONLY
- 4- WIRE NBR 15 & 16 ARE REQUIRED ON RT62 & TM800 ONLY



# Manitowoc Cranes



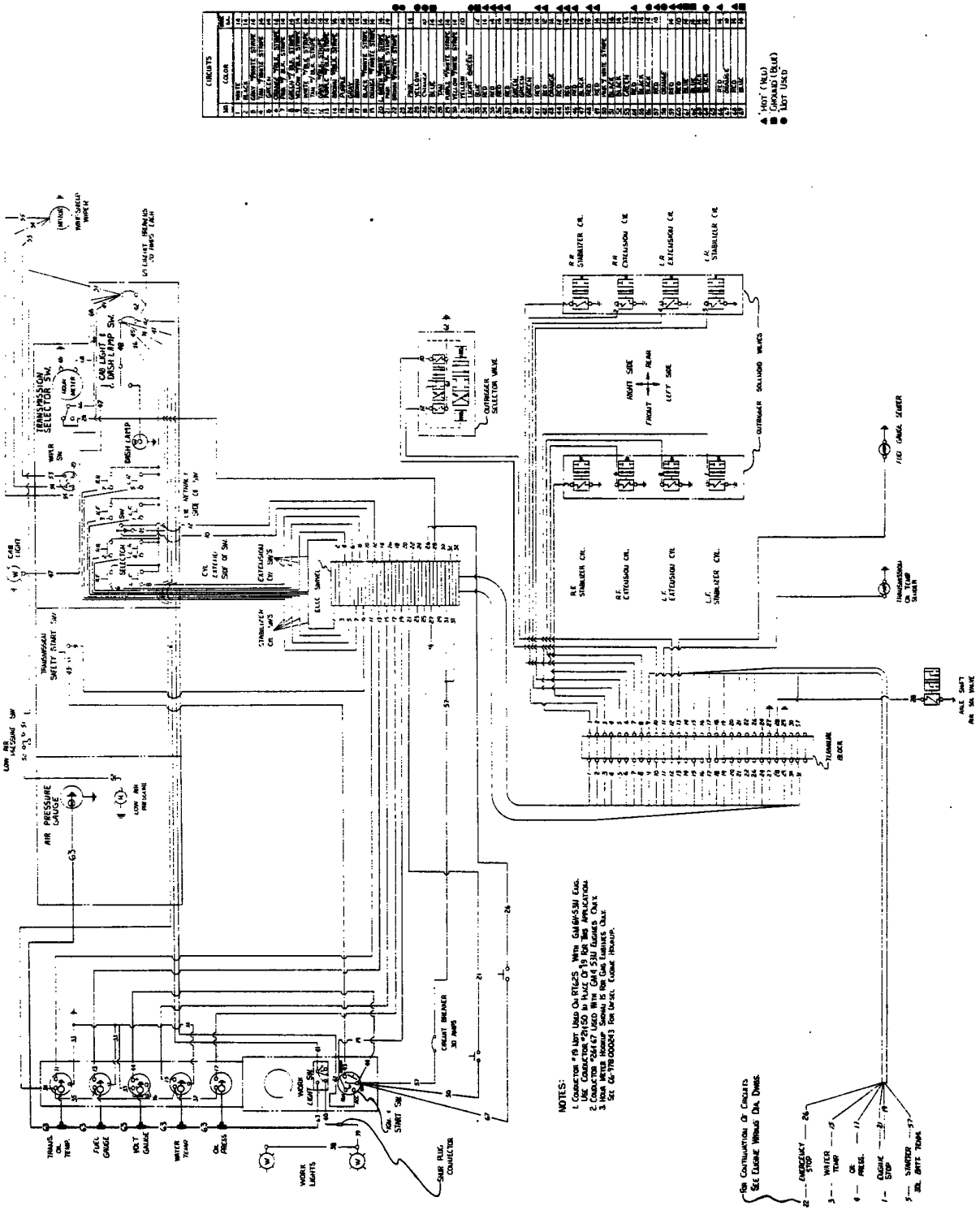
# Manitowoc Cranes

Description  
**WIRING DIAGRAM**

Assembly No.  
**6294000879**  
Revision:

Item	FN	Part	Qty	Description
1		NSS	1	NOT SERVICED SEPARATELY WIRING DIAGRAM

# Manitowoc Cranes



CIRCUITS	
1	CRANE
2	CRANE
3	CRANE
4	CRANE
5	CRANE
6	CRANE
7	CRANE
8	CRANE
9	CRANE
10	CRANE
11	CRANE
12	CRANE
13	CRANE
14	CRANE
15	CRANE
16	CRANE
17	CRANE
18	CRANE
19	CRANE
20	CRANE
21	CRANE
22	CRANE
23	CRANE
24	CRANE
25	CRANE
26	CRANE
27	CRANE
28	CRANE
29	CRANE
30	CRANE
31	CRANE
32	CRANE
33	CRANE
34	CRANE
35	CRANE
36	CRANE
37	CRANE
38	CRANE
39	CRANE
40	CRANE
41	CRANE
42	CRANE
43	CRANE
44	CRANE
45	CRANE
46	CRANE
47	CRANE
48	CRANE

▲ HOT (RED)  
 ■ GROUND (BLACK)  
 ● NOT USED

NOTES:  
 1. CRANE #8 USE 1/8" DIA. O.D. FITS WITH G4435M END  
 2. CRANE #21 USE 1/8" DIA. O.D. FITS WITH G4435M END  
 3. CRANE #24 USE 1/8" DIA. O.D. FITS WITH G4435M END  
 4. CRANE #27 USE 1/8" DIA. O.D. FITS WITH G4435M END  
 5. CRANE #30 USE 1/8" DIA. O.D. FITS WITH G4435M END  
 6. CRANE #33 USE 1/8" DIA. O.D. FITS WITH G4435M END  
 7. CRANE #36 USE 1/8" DIA. O.D. FITS WITH G4435M END  
 8. CRANE #39 USE 1/8" DIA. O.D. FITS WITH G4435M END  
 9. CRANE #42 USE 1/8" DIA. O.D. FITS WITH G4435M END  
 10. CRANE #45 USE 1/8" DIA. O.D. FITS WITH G4435M END  
 11. CRANE #48 USE 1/8" DIA. O.D. FITS WITH G4435M END

FOR CONNECTION OF CIRCUITS  
 SEE EXHAUST VALVE DA. DIMS.

EMERGENCY STOP  
 WATER TANK  
 OR  
 PRESS.  
 ENGINE STOP  
 SW. START TRUCK

6-294-000339

# Manitowoc Cranes

Description  
**WIRING DIAGRAM**

Assembly No.  
**6294000339**  
Revision:

Item	FN	Part	Qty	Description
1		NSS	1	NOT SERVICED SEPARATELY WIRING DIAGRAM

# ***Manitowoc Cranes***

Notes

---



# Manitowoc Cranes

Alphabetical Index	Appendix A	
Description	Part	Page
1" - 8 NC X 9 1/2" GRD 5	7115267650	277
3/8" P.O. CHECK VALVE (W/ HARD	7926002359	305
7/8" - 9 N.C. X 3 1/4"	7115242650	143
ACTUATOR,BRAKE	9049101944	269, 289
ADAPTER	2160800079	157
	6013000068	445
	7013000028	445
	7013000041	125
	7013000125	422
	7013000183	121
	9926102835	403
ADAPTER, FEMALE	7013000096	422
ADAPTER, HYD.PUMP 4 BOLT MTG.	9904101244	338
ADAPTER, MUFFLER	7013000112	330
ADAPTER, PUMP DRIVE	7013000103	330
ADAPTER, RUBBER	7013000071	331
ADAPTER, STEER PUMP 2 BOLT MTG	9904101245	338
ADAPTER, SWIVEL	6013000017	458
	7443000059	121, 153
ADAPTER, TUBE-PUSH	9372100311	347
ANGLE	4160400063	175, 211
	4160400065	175, 211
	4160600024	165, 201
	6030000373	21
	6030000418	341
	6030000554	329
	6030000737	176, 212
ANGLE, LEFT HAND MOUNTING	4158800002	371
ANGLE, MOUNTING	4160800090	49
	4162600043	409
	4162600044	409
	6030000279	375
	6030000303	375
	6030000383	375
	6030000686	375
ANGLE, RIGHT HAND MOUNTING	4158800003	371
ANGLE, SUPPORT	4160800058	341
ARM	6033000107	139
ARM, CRANK	7033000081	183, 219
ARM, WIPER - 20"	7033000041	183, 219

From - 1" - 8 NC X 9 1/2" GRD 5

To - ARM, WIPER - 20"

# Manitowoc Cranes

Alphabetical Index	Appendix A	
Description	Part	Page
<b>AXLE ASSEMBLY - DRIVE</b>	7049000108	255, 257
<b>AXLE ASSEMBLY - NO-SPIN</b>	7049000129	277, 279
<b>BAFFLE</b>	4160800242	341
	4160800245	341
	9304100017	343
	9904101229	337
	9904101331	313
<b>BAFFLE, OIL</b>	9904101331	313
<b>BALL</b>	9722100005	351
	9904101049	55, 133, 317, 321
	9926100095	169, 205
	9926100125	55, 133
	9926101438	155
	9926101486	453
<b>BALL SET</b>	9926101486	453
<b>BALL, LOCK</b>	9904101367	317
<b>BAND, AIR CLEANER MOUNTING</b>	7056000004	329
<b>BAND, RUBBER</b>	9515100225	245
<b>BAR, LINKAGE</b>	4160700026	399
	4160700027	399
	4160700028	399
<b>BAR, STOP</b>	4160100108	300
<b>BARREL</b>	6372001365	13
	6372001375	295
	6372001395	11
	6372001434	275, 297
	6372001461	303
	6372001651	305
	9926101215	189, 225
<b>BARRIER, PLATE</b>	9926101215	189, 225
<b>BATTERY</b>	7064000014	332
<b>BEAM, SEALED</b>	9581100030	193, 435
	9581100038	435
<b>BEARING</b>	2115200014	27
	7069000100	411
	7069000105	19
	7069000107	32
	7069000108	31
	7069000173	125
	7069000181	32
	7069000253	27
	9049101214	321, 337
	9049101598	261, 283
	9632100197	151
	9722100029	151

From - AXLE ASSEMBLY - DRIVE

To - BEARING

# Manitowoc Cranes

Alphabetical Index	Appendix A	
Description	Part	Page
<b>BEARING</b>	9904101187	336
	9904101202	336
	9904101233	338
	9904102283	315
	9926100108	170, 206
<b>BEARING ASSY.</b>	9904101185	336
	9904101608	336
<b>BEARING KIT</b>	9926101561	170, 206
<b>BEARING, BALL</b>	7069000050	139
	7069000178	145
	7069000194	146
<b>BEARING, FRONT</b>	9904101205	337
	9904101291	311, 315
	9904101349	316
	9904101377	317
<b>BEARING, GEAR</b>	9904101333	315, 316
	9904101341	315
	9904101345	315
	9904101351	316, 337
	9904101353	316
	9904101389	318
	9904102281	315, 316
<b>BEARING, NEEDLE</b>	7069000137	23
	9632100260	35
<b>BEARING, NYLON</b>	9364100180	47
	9364100181	47
<b>BEARING, PILOT</b>	9904101350	316
<b>BEARING, PLANET CAGE AND SHAFT</b>	7069000109	31
<b>BEARING, PLANET SHAFT,</b>	7069000111	32
<b>BEARING, REAR</b>	9904101360	316
	9904101368	317
	9904105321	311
<b>BELLOWS</b>	7072000001	58
<b>BLADE</b>	7083000003	183, 219
	9515100264	239
<b>BLOCK, MOUNTING</b>	4150400094	159, 195
	4150400095	159, 195
	6086000227	140
	6086000228	140
	6086000229	140
<b>BLOCK, TERMINAL BODY</b>	7086000085	409
	9722100251	351

From - BEARING

To - BODY

# Manitowoc Cranes

Alphabetical Index	Appendix A	
Description	Part	Page
<b>BODY</b>	9926100118	55, 133
	9926101405	381
	9926101426	155
	9926101451	251
	9926101460	367, 431
	9926101467	379
	9926101482	453
	9926101495	181, 217
	9926102040	417
	9926102046	397
<b>BODY, CARTRIDGE</b>	9926102196	187, 223
<b>BODY, INLET</b>	9926101237	189, 225
<b>BODY, VALVE</b>	9926102195	187, 223
<b>BOLT ASSEMBLY</b>	7099000076	61
	7099000088	95
	9049103686	269, 289
<b>BOLT, HEX</b>	7115186850	57
<b>BOLT, STRIPPER</b>	9926100663	61, 62, 71, 75
<b>BOLTS, HEAD</b>	9437100068	407
<b>BOOM BASE SECTION</b>	6164000466	5
<b>BOOM NOSE/FLY SECTION</b>	6164000557	3
<b>BOOT, DUST</b>	9926101210	189, 225
	9926102155	187, 223
<b>BOOT, RUBBER CONTROL ROD</b>	7172000006	58
<b>BOX</b>	9515100248	239
<b>BOX ASSEMBLY - SWING</b>	6176000216	27
<b>BOX, BATTERY</b>	2160800121	359, 373
<b>BOX, CYLINDER</b>	6176000174	9
	6176000175	3
<b>BOX, HEATER MOUNTING</b>	6176000204	231
<b>BOX, MID BOOM</b>	2115900060	7
<b>BOX, OUTER AND EXTENSION</b>	2160100009	299
<b>BOX, OUTRIGGER INNER</b>	2160100012	299
<b>BOX, STABILIZER MOUNTING</b>	2160100003	277
<b>BOX, SWITCH MOUNTING</b>	2160700029	443
<b>BOX, TOOL</b>	2160800117	359, 373
<b>BRACE, TUBE</b>	6180000105	21
<b>BRACKET</b>	2160200035	57
	2170800071	331

From - BODY

To - BRACKET

# Manitowoc Cranes

Alphabetical Index	Appendix A		
Description	Part	Page	
<b>BRACKET</b>	4160800202	341	
	4160800203	341	
	6184000196	125	
	6184000269	33	
	6184000341	125	
	6184000382	140	
	6184000439	143	
	9364100176	47	
	9515100175	235	
	9515100178	241	
	9926102828	390	
	<b>BRACKET, HOOD FASTENER</b>	7585000003	440
	<b>BRACKET, LEG</b>	9372100744	401
<b>BRACKET, LINKAGE</b>	2160200024	173, 209, 253	
<b>BRACKET, MOUNTING</b>	2160800076	329	
	2160800157	332	
	2162800017	341	
	4160100109	435	
	4160400120	193	
	6184000225	341	
	9515100181	241	
	<b>BRACKET, REAR ENGINE MOUNTING</b>	2162100003	329
<b>BRACKET, REAR LIGHT</b>	6184000111	435	
<b>BRACKET, RESERVOIR</b>	7184000106	375	
	7184000188	419	
<b>BRACKET, SHIFT LINKAGE</b>	2160800080	157	
<b>BRAKE CABLE ASSEMBLY</b>	2160600192	229	
<b>BRAKE CHAMBER ASSEMBLY</b>	9049101962	269, 273, 289, 293	
<b>BRAKE COVER ASSEMBLY</b>	6258000257	28	
<b>BREAKER, 20 AMP CIRCUIT</b>	7872000003	166, 175, 202, 211	
<b>BREAKER, 30 AMP CIRCUIT</b>	7872000065	165, 201	
<b>BREATHER</b>	9049101912	259, 281	
	9904102265	335	
	9926101315	185, 221	
<b>BREATHER, AIR</b>	9904100986	311	
<b>BRUSH &amp; ARM ASSY. 15 AMP</b>	9364100085	47	
<b>BRUSH AND HOLDER ASSEMBLY</b>	9364100084	47	
<b>BULB</b>	7581000004	175, 211	
	7581000052	176, 212	
	9581100033	435	
	9581100034	175, 211	

From - BRACKET

To - BULB

# Manitowoc Cranes

Alphabetical Index	Appendix A	
Description	Part	Page
<b>BULB</b>	9581100035	435
	9581100036	437
	9581100047	193
<b>BULB, 12 VOLT</b>	7581000165	166, 202, 443
<b>BUSHING</b>	6199000631	7
	6200059203	58
	6200080808	160, 196
	6200080814	58
	6200121008	125
	6205200833	21
	6207080808	21
	6207180821	7
	6207200806	5
	6208120818	17
	6208120851	17
	7199000198	275, 297
	9049101647	265, 285
	9049101657	266, 286
	9049101680	266, 286
	9049102253	265
	9372101226	347
	9904100967	319
<b>BUSHING, BRASS</b>	7199000399	27
<b>BUSHING, CYLINDER</b>	9372100313	347
<b>BUSHING, VALVE STOP</b>	9926101464	367, 431
<b>BUTTON</b>	9926101415	165, 201
	9926101458	251
<b>BUTTON, PLUG</b>	7242000008	176, 212
	7242000012	166, 202
<b>BUTTON, THRUST</b>	9049103565	266, 286
<b>CAB ASSEMBLY</b>	2160400042	193
<b>CAB SECTION</b>	2160400049	159, 195
<b>CABLE ASSEMBLY</b>	6246000391	21
<b>CABLE, BATTERY</b>	6246000287	332
	6246000354	330
<b>CABLE, CONTROL</b>	7246000225	57
	7246000289	57
	7246000290	57
<b>CAGE</b>	9049101956	271, 291
<b>CAGE ASSEMBLY</b>	9049101583	261, 283
<b>CAM</b>	9926101510	181, 217
<b>CAM FOLLOWER</b>	9926101508	181, 217

From - BULB

To - CAM FOLLOWER

# Manitowoc Cranes

Alphabetical Index	Appendix A	
Description	Part	Page
<b>CAP</b>	9049101665	266, 286
	9049101915	266, 286
<b>CAP SCREW</b>	9926100372	393
	9926101457	251
<b>CAP SCREW,</b>	9904101374	317
	7099000086	83
	7115140350	159, 195
	7115140550	15, 19
	7115140650	31, 231, 300
	7115140850	249
	7115141050	411
	7115141650	387
	7115142050	375
	7115142450	9
	7115150750	31
	7115150850	341, 375, 439, 440
	7115151050	299
	7115151250	300
	7115151650	160, 196, 345
	7115160650	157, 173, 175, 209, 211, 253, 419
	7115160750	125
	7115160805	39
	7115160850	27, 125, 299, 329, 338, 341, 345, 387
	7115161050	27, 145, 330, 375
	7115161250	147, 165, 201
	7115161450	345, 440
	7115161650	21, 387, 415
	7115161850	51
	7115162050	300
	7115162250	411
	7115162450	375
	7115163050	57
	7115170850	439
	7115180950	146
	7115181050	27, 255, 277, 337, 405
	7115181250	27, 146, 329
	7115181450	141
	7115181850	33
	7115183650	57
	7115201450	299
	7115203650	307
	7115221450	300, 307
	7115221650	143
	7115223650	329
	7115262050	7

From - CAP

To - CAP SCREW,

# Manitowoc Cranes

Alphabetical Index	Appendix A		
Description	Part	Page	
<b>CAP SCREW,</b>	7115264450	5	
	7115267250	255	
	7115303250	143	
	7118202850	7	
	7118262250	27	
	9049101577	261, 265, 283, 285	
	9049101674	265, 285	
	9049101678	265, 285	
	9049101684	265, 285	
	9049101898	265, 285	
	9049101926	269, 289	
	9049101937	269, 289	
	9049101952	269, 289	
	9049101953	269, 289	
	9049102299	261, 283	
	9049102914	261, 283	
	9049102915	261, 283	
	9049103574	265, 285	
	9049103595	265, 285	
	9049103596	265, 285	
	9049103602	269, 289	
	9049103702	273, 293	
	9372100010	53	
	9490100070	149	
	9632100001	169, 205	
	9632100046	35	
	9904100273	317	
	9904101419	321	
	9926100106	170, 206	
	9926100652	83, 91, 96, 97, 105, 107, 111	
		9926101150	185, 221
		9926101154	185, 221
		9926101354	169, 205
		9926101463	367, 431
		9926102846	55, 133
<b>CAP SCREW, 1/2"-13 UNC X 1"</b>	7115180850	125, 369, 387	
<b>CAP SCREW, 1/2"-13UNCX2"LONG</b>	7115181650	33	
<b>CAP SCREW, 3/8"-16UNC X 6.5</b>	7115165250	21	
<b>CAP SCREW, SAFETY WIRE</b>	6099000155	27	
<b>CAP, BEARING</b>	9904101373	317	
<b>CAP, CHECK</b>	9926100660	84, 91, 96, 97, 98, 105, 107, 111	
	9926100672	62, 71, 75	
<b>CAP, CYLINDER</b>	9372100330	347	

From - CAP SCREW,

To - CAP, CYLINDER



# Manitowoc Cranes

Alphabetical Index	Appendix A	
Description	Part	Page
CAP, DUST	6258000048	359, 373
CAP, END	6258000067	299
	6258000123	5, 277
	6258000124	255, 277
	6258000277	27
	9632100021	169, 205
	9632100266	35
CAP, FUEL-FILLER	7258000049	359, 373
CAP, RADIATOR	9726100032	341
CAP, REAR BEARING	9904101364	317
	9904101408	318
CAP, VALVE	9926100651	83, 91, 96, 97, 105, 107, 111
	9926100662	61, 62, 71, 75
CAPSCREW, FAR	9722100001	351
CAPSCREW, NEAR	9722100002	351
CARRIER	9490100047	149
	9490100094	149
CARRIER, DIFFERENTIAL	9049103898	283
	9049103914	262
CARTRIDGE	9926100687	61
	9926101099	63, 77, 81
	9926101111	62, 73, 79, 97, 98, 109, 113, 117, 119
CARTRIDGE ASSEMBLY	9926100698	83, 95
CASE	6274000019	45
	6274000021	43
	9372100232	53
	9515100193	241
CASE ASSEMBLY	9904101319	312
CASE ASSY, DIFFERENTIAL	9049103899	261, 283
CASTING, STEP ACCESS	6278000007	440
CHAIN	9286100001	25
CHAIN - USE 9286100001	6286000004	299
CHANNEL	6290000202	231
	6637013018	159, 195
CHANNEL, FLEXIBLE	6637013010	163, 199
CHANNEL, WEATHERSTRIP	6637002004	159, 195
CHECK, EXHAUST	9926101304	377
CLAMP	4158100043	229

From - CAP, DUST

To - CLAMP

# Manitowoc Cranes

Alphabetical Index	Appendix A	
Description	Part	Page
<b>CLAMP</b>	6300000084	7
	6300000108	143
	7300000018	331
	7300000019	231
	7300000119	153
	9049101967	273, 293
	9304100006	343
	9515100220	245
	9515100236	237
<b>CLAMP VIBRATOR</b>	9515100243	237
<b>CLAMP, 2 1/2" MAX HOSE</b>	7300000020	332, 445
<b>CLAMP, CABLE</b>	7300000011	349
<b>CLAMP, HOSE</b>	2160100072	299
	6300000043	299
	7300000006	140, 331
	7300000035	332
	7300000040	331
	7300000044	331
<b>CLAMP, MUFFLER</b>	7300000038	331
	7300000047	329
<b>CLAMP, O-RING</b>	7755210000	189, 225
<b>CLAMP, TUBING</b>	7300000100	229, 363, 427
	7300000101	141
	7300000102	363, 427
<b>CLEANER ASSEMBLY - AIR</b>	2160800197	329
<b>CLEARANCE LIGHTS &amp;</b>	2160100016	435
<b>CLEVIS</b>	9926102258	413
<b>CLIP</b>	9515100170	235
	9515100195	241
	9904101295	311
	9904101322	312
<b>CLUTCH</b>	7316000010	145
<b>COCK, DRAIN</b>	7926000273	362, 426
<b>COIL</b>	9515100235	237
	9926102047	394
	9926102840	403
<b>COIL, 12 VOLT</b>	9926100760	389
<b>COLLAR, CAM MOUNTING</b>	4175700011	364, 428
<b>CONDENSER</b>	9515100237	237
<b>CONE</b>	9926101778	389
	9926103420	394

From - CLAMP

To - CONE

# Manitowoc Cranes

Alphabetical Index	Appendix A	
Description	Part	Page
<b>CONE, BEARING</b>	7069000078	318
	9049101543	261, 283
	9049101581	261, 283
	9049101596	261, 283
	9049101693	265, 285
	9049101694	265, 285
	9904101387	318
<b>CONNECTOR</b>	7364000052	33
	7364000198	39
	9515100182	241
	9515100217	243
	9515100387	243
	9515100388	243
<b>CONNECTOR, CRIMPED</b>	9364100178	47
<b>CONNECTOR, EXHAUST</b>	2160800035	331
<b>CONNECTOR, FEMALE</b>	7364000324	231
<b>CONNECTOR, MALE</b>	7364000034	27, 32
	7364000399	332
<b>CONNECTOR, RELIEF-STRAIN</b>	7364000247	409
<b>CONNECTOR, SETSCREW</b>	7892000051	47
<b>CONSOLE, TOP COVER - R.H.</b>	4160400122	175, 211
<b>CONTROL</b>	9515100173	235
	9515100254	239
<b>CONTROL CONSOLE</b>	2160400063	159, 195
<b>CONTROL, TEMPERATURE</b>	9515100258	239
<b>COOLER, HYDRAULIC OIL</b>	7726000131	341
<b>CORD, O-RING</b>	6755644507	31
<b>COUPLING</b>	6364000389	146
	6364000390	31
<b>COVER</b>	4160600079	349
	6258000005	299
	6258000098	299
	6753000101	39
	9490100049	149
	9490100059	149
	9904101234	338
	9904101313	312
	9926101297	377
	9926101305	377
	9926101471	379
9926101507	181, 217	
<b>COVER &amp; SEAL ASSY</b>	9049101578	261, 283

From - CONE, BEARING

To - COVER & SEAL ASSY

# Manitowoc Cranes

Alphabetical Index	Appendix A	
Description	Part	Page
COVER ASSEMBLY	2160900013	17
COVER ASSY, STABILIZER	2158600038	277
COVER WELD,BRAKE	6258000258	37
COVER, BRAKE	2161400004	160, 196
COVER, CONSOLE	4160400067	175, 211
	4160400068	175, 211
	4160400111	175, 211
COVER, CONSOLE SIDE	4160400062	175, 211
COVER, GEAR HOUSING	6258000253	31
COVER, HOSE	4160100139	299
COVER, LIGHT	4160100048	435
COVER, MOTOR	7258000281	28
COVER, PEDAL	9926101532	185, 221
COVER, PORT END	9632100203	151
COVER, SHAFT END	9632100199	151
COVER, SIDE	4162600041	409
COVER, STORAGE	2160100065	440
COVER, TOP	4160600029	165, 201
	9515100177	241
COVER,SPRING	4142200062	125
COVER-PLANETARY	9049102993	266, 286
CUP ASSY	9304100007	343
CUP, BEARING	7794000100	318
	9049101544	261, 283
	9049101582	261, 283
	9049101695	265, 285
	9049101696	265, 285
	9904101386	317
CUP, PACKING-PISTON	9372100322	347
CYLINDER ASSEMBLY	6372001650	299
CYLINDER ASSEMBLY -	6372000500	299
CYLINDER ASSEMBLY - 3" STEER	6372000485	255, 277
CYLINDER ASSEMBLY - 4"	6372000824	3
CYLINDER ASSEMBLY - 5"	6372000585	277
	6372000593	3
CYLINDER ASSEMBLY - 8 1/4"	7372000417	51
CYLINDER ASSEMBLY - AIR	7372000456	399
CYLINDER ASSEMBLY - THROTTLE	7372000303	330

From - COVER ASSEMBLY

To - CYLINDER ASSEMBLY - THROTTLE

# Manitowoc Cranes

Alphabetical Index	Appendix A	
Description	Part	Page
CYLINDER SUPPORT INSTALLATION	6869000119	3
CYLINDER, BRAKE	6372000833	145
DEFLECTOR,AIR	9515100185	241
DIAPHRAGM	9049101964	273, 293
	9722100013	351
	9926101402	381
DIFF. HOUSING & CAP ASSY	9049101886	261, 283
DIPSTICK	2160800142	307
	6486000674	32
	6486000675	32
	6486000677	32
DIPSTICK ASSEMBLY	6486000205	371
DISC, BRAKE	6176000076	31
	7388000039	145
	7388000046	145
DISC, CLUTCH	9904101413	323
	9904101414	323, 325
	9904101418	325
DISC, RING	9926101219	189, 225
DISC, SUPPORT	9926101220	189, 225
DISCONNECT, LARGE KNIFE	9364100087	47
DISCONNECT, SMALL KNIFE	9364100088	47
DISV,EXHAUST CHECK	9926102199	187, 223
DOOR ASSEMBLY - CAB	2150400009	159, 195
DOOR ASSY, BATTERY BOX	2160800105	359, 373
	2160800206	359, 373
	2160800208	359, 373
	2160800233	359, 373
DOOR, LEFT HAND	2160800226	345
DOOR, RIGHT HAND	2160800225	345
DOWEL	9049101602	261, 283
	9904101311	312
DRIVE	9632100015	35
	9926100319	169, 205
DRUM, BRAKE	9049101918	266, 286
DRUM, CABLE	6400000052	146
DRUM, END	6400000053	146
	6400000054	146
DRUM, HOSE REEL	6400000033	125

From - CYLINDER SUPPORT INSTALLATION

To - DRUM, HOSE REEL

# Manitowoc Cranes

Alphabetical Index	Appendix A	
Description	Part	Page
DRYER ASSEMBLY - AIR	7515000047	375
ELBOW	6406000066	445
	7406000030	125
	9515100867	383
ELBOW, 45 DEGREE MODIFIED	6406000068	445
ELBOW, MALE	7406000040	122
ELEMENT, AIR CLEANER	9437100135	343
ELEMENT, FILTER	9437100071	407
ELEMENT, TRANS. OIL	9437100139	357
ENCLOSURE, PEDAL	4160600078	165, 201
END	9926100159	155
END COVER ASSY	9515100508	383
END, RH DRUM	6548000053	146
END, ROD	4160200034	57
END, SPRING	9926100126	55, 133
	9926101437	155
	9926102039	397, 417
ENGINE HOOD AND GRILL	2160800230	329
EXCHANGER,HEAT	9515100192	241
EXTENSION, MUFFLER	6418000023	332
FAN	9515100221	245
FAN, RUBBER BLADED AUTO	7425000001	247
FASTENER	9722100400	151
FASTENER, HOOD	7585000002	440
FEMALE HOLDER	3531000002	193
FENDER ASSY, LEFT HAND	6431000045	439
	6431000049	439
FENDER ASSY, RIGHT HAND	6431000047	439
	6431000051	439
FIFTH WHEEL	6970000146	277
FILLER AND BREATHER	7304000004	371
FILTER	9926100737	155
FILTER ASSEMBLY - OIL	7437000017	405
	7437000038	332
FITTING, BRASS TUBE	7364000435	231
FITTING, DISCHARGE	7450000049	362, 426
FITTING, GREASE	9049103562	266, 286

From - DRYER ASSEMBLY - AIR

To - FITTING, GREASE

# Manitowoc Cranes

Alphabetical Index	Appendix A	
Description	Part	Page
FITTING, O-RING	6443000034	153
	7443000002	121
FITTING, PIPE	7450000005	371
	7450000006	371
	7450000008	371
FITTING, REDUCER	7443000041	330
FLANGE	6450000130	43
	9632100257	35
	9904100936	311, 336
	9904104014	318
FLANGE, MOUNTING	6450000132	45
FLANGE, SPLIT	7450000016	445
FLASHER, TUNG-SOL	7872000049	435
FLATWASHER	6705002395	15
	6949000185	27
	9049101652	259, 281
	9049101980	265, 269, 285
FOLLOWER	9372100323	347
	9926101509	181, 217
FORK, SHIFT	9904101409	318
	9904101422	321
FRONT & TOP COVER	9515100198	241
FRONT CONTROL CONSOLE	2160600045	159, 195
FRONT CONTROL CONSOLE WELD	2160200222	165, 201
FRONT COVER AND TUBE ASSEMBLY	9904101292	311
FUEL LINE	9515100215	243
FUSE, 10 AMP	9515100252	239
GASKET	6637000011	159, 195
	6794000135	409
	6794000136	409
	6794000248	359, 373
	6794000262	145
	7794000241	362, 426
	9049101580	261, 283
	9515100183	241
	9515100204	243
	9515100223	245
	9515100231	245
	9515100383	243
	9904101179	335
	9904101195	336, 338
	9904101307	311, 312

From - FITTING, O-RING

To - GASKET

# Manitowoc Cranes

Alphabetical Index	Appendix A	
Description	Part	Page
<b>GASKET</b>	9904101312	312
	9904101320	312
	9904101363	316
	9904101372	317
	9904105443	311
	9926101512	181, 217
<b>GASKET, BACK-UP</b>	9722100012	351
<b>GASKET, FINGER PULL</b>	6637012001	159, 163, 195, 199
<b>GASKET, LEAD COPPER</b>	9926101108	62, 63, 73, 77, 79, 81, 97, 98, 109, 113, 117, 119
<b>GASKET, LIQUID</b>	7794000164	231
<b>GASKET, MOTOR</b>	6794000263	146
<b>GASKET, PROTECTOR</b>	9722100010	351
<b>GAUGE, FUEL LEVEL</b>	7486000336	165, 201
<b>GAUGE, OIL CONVERTER</b>	7486000365	165, 201
<b>GAUGE, OIL PRESSURE</b>	7486000124	165, 201
<b>GAUGE, PRESSURE - AIR</b>	7486000338	175, 211
<b>GAUGE, WATER TEMPERATURE</b>	7486000337	165, 201
<b>GEAR</b>	9049101893	261, 283
	9049101909	262
	9049103392	266, 286
	9490100098	149
	9904101181	335
	9904101204	337
	9904101208	337
	9904101216	337
	9904101301	311
	9904101335	315, 316
	9904101358	316
	9904101382	317
	9904101400	318
	9904101403	318
	9904102137	317
9926101353	169, 205	
<b>GEAR REDUCTION ASSEMBLY</b>	7490000044	146
<b>GEAR, 1ST DRIVE 29T</b>	9722100003	351
	9722100252	351
<b>GEAR, 22T</b>	9904101346	315
<b>GEAR, 60T</b>	9904101343	315
<b>GEAR, IDLER</b>	9722100253	351
<b>GEAR, INTERNAL</b>	6490000039	31

From - GASKET

To - GEAR, INTERNAL



# Manitowoc Cranes

<b>Alphabetical Index</b>	<b>Appendix A</b>	
Description	Part	Page
GEAR, LOW	9904101355	316
GEAR, PINION	9049101846	266, 286
GEAR, PLANET	9490100099	149
GEAR, SUN	9490100095	149
	9490100096	149
GEAR-20T	9049101844	266, 286
GEROTOR SET	9632100268	35
GLASS	7498000045	159, 195
	7498000046	163, 199
	7498000048	159, 195
	7498000049	159, 195
GLASS, CAB LEFT SIDE	7498000043	159, 195
GLASS, LEFT SLIDING WINDOW	7498000047	163, 199
GLASS, REAR SLIDING	7498000051	160, 196
GLASS, SKYLIGHT TINTED	7498000054	159, 195
GLASS, STATIONARY REAR	7498000050	160, 196
GRILL, ENGINE HOOD	2160800022	345
GROMMET	7506000005	140, 229
	7506000008	140
	7506000009	247
	7506000017	175, 211
	9372100319	347
	9372100331	179, 215, 347
	9372100332	347
	9515100180	237, 239, 241
	9926101470	379
	9926101490	179, 215
GROMMET, RUBBER	7506000003	193, 443
GROMMETS	9926102839	403
GUARD	6814000034	125
GUARD, LIGHT	4162100044	435
GUARD, PINION	7814000116	27
GUARD, ROD	6814000048	125
GUIDE	9049101968	273, 293
	9049103706	269, 289
	9926100848	389, 394
	9926101290	377
	9926101484	453
GUIDE TUBE ASSY.	9926103419	394
GUIDE, SPRING	9926100653	84, 91, 96, 97, 105, 107, 111

From - GEAR, LOW

To - GUIDE, SPRING

# Manitowoc Cranes

Alphabetical Index	Appendix A	
Description	Part	Page
GUIDE, SPRING	9926100664	61, 62, 71, 75
GUIDE, TUBE	9926100779	389
GUSSET	4160100055	299
	6842000191	21
	6842000406	21
HANDLE, DOOR	6511000036	345
HANDLE, INSIDE RIGHT HAND	7511000016	163, 199
HANDLE, LOCK	6585000055	163, 199
HARNESS	9515100171	235
HARNESS, CONDUCTOR	7978000240	40, 47
HARNESS, WIRING	7978000850	183, 219
HEAD	6372000566	295
	6372000567	13
	6372000826	11
	6372002046	305
	9372100015	53
	9437100065	407
	9926101493	179, 215
HEAD BURNER	9515100206	243
HEAD, CYLINDER	6372000483	275, 297, 303
HEATER ASSEMBLY - PROPANE	7515000014	231, 233
HINGE	2160400070	159, 195
HOIST ASSEMBLY - HO15 - 16	6974000124	143
HOLDER, DOOR STRAP	7531000005	193
HOLDER, FUSE	9515100251	239
HOLDER, SPRING	6531000002	140
HOLDING VALVE	7926000325	51
HOOD, AIR INLET	7535000025	329
HOOD, ENGINE	2160800229	345
HORN, AIR	7025000010	249
HOSE - USE 9543100004	6543000362	331
HOSE ASSEMBLY 3/8"	7545218020	449
	7545219220	449
HOSE ASSY, 1/2" X 120"	7545312020	449
HOSE ASSY, 1/2" X 24"	7545302420	131, 457
HOSE ASSY, 1/2" X 48"	7545304820	131, 457
HOSE ASSY, 3/8" X 10"	7545201020	131
HOSE ASSY, USE AS REQUIRED	6542001201	51

From - GUIDE, SPRING

To - HOSE ASSY, USE AS REQUIRED

# Manitowoc Cranes

Alphabetical Index	Appendix A	
Description	Part	Page
<b>HOSE ASSY, USE AS REQUIRED</b>	6542001801	249
	6542008401	249
	6542104005	421
	6542104204	421
	6542106405	421
	6542303606	421
	6542304806	421
	6542503007	422
	6542503609	422
	6542504807	421
	6542504809	422
	6542506007	421
	6542509607	421
	7542000501	361, 425
	7542000701	361, 425
	7542000702	361, 425
	7542001201	330
	7542001202	361, 425
	7542001203	363, 427
	7542001302	361, 425
	7542001403	363, 427
	7542002401	349
	7542003002	361, 425
	7542003003	361, 425
	7542003401	349
	7542003603	364, 428
	7542004603	363, 427
	7542004803	361, 425, 449
	7542006003	361, 363, 425, 427
	7542006403	361, 425
	7542006601	361, 425
	7542007203	363, 427
	7542008402	363, 427
	7542009603	363, 427
	7542011201	361, 425
	7542015603	363, 427
	7542101005	361, 425
	7542101205	457
	7542101405	361, 425
	7542102805	361, 425
	7542103205	332
	7542104804	121
	7542104805	449
	7542106005	330
	7542106405	361, 425
	7542107005	364, 428, 457
	7542112005	362, 426
	7542210011	331

From - HOSE ASSY, USE AS REQUIRED

To - HOSE ASSY, USE AS REQUIRED

# Manitowoc Cranes

Alphabetical Index	Appendix A	
Description	Part	Page
<b>HOSE ASSY, USE AS REQUIRED</b>	7542301206	361, 425
	7542303606	361, 362, 425, 426
	7542304806	122, 361, 425
	7542309606	458
	7542310806	330, 331
	7542312006	121
	7542506007	450
	7542601810	445
	7542614410	445
	7542615610	445
	7543000053	27
	7543000303	361, 425
	7543000306	445
	7544801190	445
	7544801790	445
	7544803490	445
	7545100920	131
	7545101120	231
	7545101820	121, 131
	7545102420	131
	7545103620	121
	7545201220	455, 457
	7545203620	457
	7545204820	455
	7545206020	449
	7545207220	457
	7545209620	455
	7545210820	137
	7545228820	137
	7545232420	137
	7545303620	131
	7545307220	458
	7545308420	129, 457
	7545309620	129
	7545310820	135, 449
	7545501280	449
	7545502420	122
	7545503620	449
	7545504280	121
	7545506020	445
	7545506080	121, 449
	7545606080	445
	7545608420	457
7545608480	445	
7545714430	121	
9515100227	245	
<b>HOSE SHEAVE AND REAR BOOM</b>	6718000116	3

From - HOSE ASSY, USE AS REQUIRED

To - HOSE SHEAVE AND REAR BOOM

# Manitowoc Cranes

<b>Alphabetical Index</b>	<b>Appendix A</b>	
Description	Part	Page
HOSE, 1503 X 15" LG 1/2" M	7542001503	362, 426
HOSE, METAL	6543000287	331
HOSE, RADIATOR	6543000260	332
	7543000077	332
	7543000078	331
HOURMETER	7486000499	175, 211
HOUSING	9049103705	269, 289
	9437100066	407
	9515100222	245
	9515100228	245
	9632100262	35
	9904101420	321
	9926101258	67
	9926102838	403
HOUSING ASSEMBLY	9049103904	259, 281
HOUSING ASSY, CENTER	6547000065	146
HOUSING, BRAKE	6547000069	145
HOUSING, CONVERTER	9904101183	335
HOUSING, GEAR	6547000086	31
	9632100217	151
HOUSING, LEFT HAND END	6547000068	146
HOUSING, MANIFOLD	4104800012	387
HOUSING, NON-PRESSURE	9049101966	273, 293
HOUSING, RIGHT HAND END	6547000067	146
HUB	9049103393	266, 286
	9904101219	337
	9904101224	337
HUB & CUP	9049101917	265, 285
HUB, DRIVE	6548000037	139
HUB, SHIFT	9904101401	318
	9904101421	321
HYDRAULIC RESERVOIR	2158800005	369
IGNITER	9515100203	243
IGNITION PACK	9515100238	237
IMPELLER	9904101626	337
INDICATOR, BOOM ELEVATION	6486000357	19
INDICATOR, ELEVATION -	6486000050	19
INDICATOR, LOW PRESSURE	7486000266	361, 425
INSULATOR	9364100268	47

From - HOSE, 1503 X 15" LG 1/2" M

To - INSULATOR

# Manitowoc Cranes

Alphabetical Index	Appendix A	
Description	Part	Page
JIB, 23 FT	2160900025	21
JOINT, ANGLE	7364000039	139
JOINT, SWIVEL	7364000022	125
KEY	6570080600	359, 373
	7569000012	145
	9515100176	235
	9926100115	170, 206
KEY STOCK	6570081200	160, 196
	6570167200	5
	6570200800	359, 373
KEY, DRIVE	9364101855	139
KIT	9752100182	155
KIT' END COVER	9515100507	384
KIT, 12 VOLT LIGHTING	7576000085	176, 212
KIT, ADAPTER	7576000017	183, 219
KIT, FUEL LINE	9515100385	243
KIT, HARDWARE	9049103961	261, 283
KIT, PIVOT SHAFT	7810000866	183, 219
KIT, RELIEF VALVE REPAIR	9752100271	64, 77, 81
KIT, REPAIR	9372101949	347
	9576100060	125
	9722100255	351
	9752100027	53
	9752100072	275, 297, 303
	9752100076	13
	9752100079	295
	9752100114	11
	9752100140	377
	9752100148	401
	9752100241	305
	9752100248	151
	9752100264	63, 67, 71, 75
	9752100265	64, 71, 75
	9752100266	64, 73, 79, 98, 109, 113, 117, 119
	9752100267	64
	9752100268	84, 87, 91, 98, 99, 101, 105, 107, 111
	9752100269	63, 69, 83, 84, 87, 95, 99, 101
	9752100270	84, 91, 99, 105, 107, 111
	9752100302	43

From - JIB, 23 FT

To - KIT, REPAIR

# Manitowoc Cranes

Alphabetical Index	Appendix A	
Description	Part	Page
KIT, REPAIR	9752100303	45
	9926100076	83
	9926100324	170, 206
	9926100859	185, 187, 221, 223
KIT, RING GEAR	9904101238	338
KIT, SEAL	9752101337	305
KIT, TURNSIGNAL	6576000363	435
KIT, WASHER AND SEAL	9437100776	357
KIT,CONNECTOR	9515100382	239
KIT,SEAL	9926112122	11, 13, 51
KNOB	7511000003	58, 157, 173, 209, 253
	9926101492	179, 215
KNUCKLE, STEERING	9049101914	266, 286
LADDER	6869000288	440
LAMP	9515100250	239
LATCH, LEFT HAND CAB	7585000027	345
LATCH, RIGHT HAND CAB	7585000028	345
LENS, AMBER	9581100070	437
LENS, RED	9581100071	437
LENS,AMBER	9581100055	435
LENS,RED	9581100056	435
LEVER	6593000116	173, 209, 253
	9926102260	413
LEVER, BRAKE	7593000018	229
LEVER, CONTROL	4160600085	58
	4160600086	58
	4160600087	58
LEVER, CONTROL - AUXILIARY	4160600091	58
LEVER, CONTROL - FLY	4160600089	58
LEVER, CONTROL - MID	4160600090	58
LEVER, CONTROL - SWING	4160600088	58
LEVER, HAND	2162200010	173, 209, 253
LEVER, LATCH	4160100085	299
LEVER, SHIFTING	2160800081	157
	2160800082	157
LIGHT, AMBER	6581000178	437
	7581000011	435
LIGHT, BACK-UP	7581000013	435

From - KIT, REPAIR

To - LIGHT, BACK-UP

# Manitowoc Cranes

Alphabetical Index	Appendix A	
Description	Part	Page
LIGHT, DASH PANEL	7581000117	175, 211
LIGHT, DOME	7581000015	193
LIGHT, FOG/DRIVE	7581000010	435
LIGHT, GREEN	7581000115	165, 201
LIGHT, INDICATOR	7581000168	166, 202
LIGHT, PILOT	7581000003	175, 211
LIGHT, RED	6581000177	437
	7581000116	443
LIGHT, RED TURNSIGNAL	7581000012	435
LIGHT, WORK	7581000061	193
LINK	4160200032	57
	4160200033	57
	9049101936	269, 289
	9926102263	413
LINK, LOOP	6601000001	299
LINK, SWIVEL	6601000023	39
LOCK	9049103395	265, 285
LOCK INSTALLATION - WINDOW	6585000063	160, 196
LOCK, PLATE	9904101298	311
LOCK, SLIDING GLASS	7585000019	191, 227
LOCKNUT	7659000047	409
	7659000215	275, 297, 303
	9049103001	259, 281
	9515100172	235
	9515100216	243
	9926101102	62, 63, 73, 77, 79, 81, 97, 98, 109, 113, 117, 119
LOCKOUT SHAFT	4160700032	411
LOCKPLATE	9049101950	269, 289
LOCKSCREW	9926102044	397, 417
LOCKWIRE	9049101938	269, 289
LOOM	6637021002	435
LOOP, HOSE RETAINER	6814000024	140
LUG	6608000085	173, 209, 253
LUG, LIFTING	6608000234	32
LUG, MOUNTING	6608000236	440
MAJOR "SPECIAL" LEGEND	1000000000	193, 235, 259, 281, 318
MALE HOLDER	3531000001	193

From - LIGHT, DASH PANEL

To - MALE HOLDER



# Manitowoc Cranes

Alphabetical Index	Appendix A	
Description	Part	Page
MANIFOLD, HYDRAULIC	2160800060	49
MAST, CABLE SUPPORT	2123900100	21
MEMBER,REACTION	9904101221	337
MICROSWITCH	9515100283	239
MOLDING, EDGE	4158800011	371
MOTOR ASSEMBLY - HYDRAULIC	7632000033	146
MOTOR ASSEMBLY - ORBIT	7632000041	27
MOTOR, WIPER (12VOLT)	7576000418	183, 219
MOTOR,12V	9515100226	245
MOULDING	9794100012	345
	9860100005	341
MOUNT, CENTER BONDED	7638000024	329
	7638000025	307, 329
MOUNT, LEFT HAND FRONT	2160800185	307
MOUNT, LEFT HAND REAR	2160800187	307
MOUNT, RIGHT HAND FRONT	2160800186	307
MOUNT, RIGHT HAND REAR	2160800188	307
MOUNTING BRACKET	6184000457	330
MUFFLER	7642000006	329
NAMEPLATE	6705002402	33, 146
NIPPLE	6649000037	32
	6649000038	231
NIPPLE, HEX	7649000026	363, 427
NIPPLE, HOSE	7649000004	331
	7649000031	330
NO SPIN ASSY	9049103711	283
NOT SERVICED	NS	62, 63, 95, 96, 97, 98, 107, 155, 273, 293, 343, 393, 403
NUT	7659000084	332
	9049100112	287
	9049101278	338
	9049101681	266, 286
	9049101683	266, 286
	9049101685	265, 269, 285, 289
	9049102266	265, 285
	9049102916	261, 283
	9049103394	265, 285
	9049103703	273, 293

From - MANIFOLD, HYDRAULIC

To - NUT

# Manitowoc Cranes

Alphabetical Index	Appendix A	
Description	Part	Page
<b>NUT</b>	9049103926	265, 285
	9364100658	47
	9372100327	347
	9515100186	239, 241
	9515100210	243
	9515100257	239
	9904100940	311
	9904101196	338
	9904101198	336
	9904101315	312
	9904101371	317
	9904101391	318, 319
	9904102360	336
	9926100138	55, 133
	9926100585	155
	9926101155	185, 221
	9926101204	189, 225
	9926101693	55, 133
	9926102837	403
	<b>NUT 3/8"</b>	9926102824
<b>NUT, CLAMP</b>	9372100230	53
<b>NUT, HEX</b>	7659000216	305
	9372100324	347
	9490100063	149
<b>NUT, JAM</b>	9049101497	261, 265, 283, 285
<b>NUT, JAM HEX</b>	9372100745	401
<b>NUT, LOCKING</b>	9926100694	61
	9926100706	96
<b>OBSOLETE BY 7115150650</b>	9490100061	149
<b>OBSOLETE BY 7115160450</b>	9490100068	149
<b>OBSOLETE BY 7-950-160350</b>	9490100069	149
<b>OIL PRESSURE CHECK POINT</b>	2160800211	330
<b>OILER, BELT</b>	9372100317	347
<b>OILER, FELT</b>	9372100321	347
<b>O-RING</b>	7754000066	409
	7755009000	393
	7755010000	55, 62, 73, 79, 97, 98, 109, 113, 117, 119, 133
	7755013000	63, 77, 81, 417
	7755014000	62, 63, 73, 77, 79, 81, 97, 98, 109, 113, 117, 119
	7755015002	389, 390, 393, 394
	7755022000	275, 297, 303

From - NUT

To - O-RING

# Manitowoc Cranes

Alphabetical Index	Appendix A	
Description	Part	Page
<b>O-RING</b>	7755110000	55, 133, 311, 417
	7755111000	55, 133
	7755112000	317
	7755113000	55, 133, 335
	7755114000	55, 133
	7755115000	55, 61, 67, 133, 145
	7755117000	55, 133, 155, 318, 417
	7755118000	62, 71, 75
	7755120000	413
	7755125000	155
	7755154000	145
	7755211000	312
	7755212000	83, 84, 91, 95, 96, 97, 98, 105, 107, 111, 187, 223
	7755214000	413
	7755216000	84, 91, 96, 97, 98, 105, 107, 111, 312, 335
	7755220000	155, 187, 223, 311, 317, 336
	7755221000	187, 223
	7755222000	121, 153
	7755228000	189, 225
	7755229000	338
	7755242000	318
	7755246000	146, 318
	7755253000	336
	7755259000	145
	7755260000	337
	7755269000	265
	7755275000	145
	7755278000	337
	7755325000	11, 13, 295, 305
	7755327000	319
	7755328000	318
	7755334000	275, 297, 303
	7755340000	45
	7755342000	11
	7755347002	145
	7755358000	32
	7755427002	145
	7755444000	43
	7755901000	61
	7755904002	449
	7755906000	121
	7755906002	122, 421
	7755908000	394
	7755908002	390, 393, 421, 422, 457
	7755910000	137
	7755910002	129, 332

From - O-RING

To - O-RING

# Manitowoc Cranes

Alphabetical Index	Appendix A	
Description	Part	Page
<b>O-RING</b>	7755912000	455
	7755912002	121, 122, 131, 135, 422, 445
	7755916000	422, 445
	9049101698	285
	9372100006	53
	9372100008	53
	9632100006	35, 169, 205
	9632100058	35
	9722100030	151
	9722100254	351
	9904101620	338
	9904109349	335
	9926100098	169, 205
	9926100147	397
	9926100289	397
	9926100601	155
	9926100606	155
	9926100667	61, 62, 71, 75
	9926100701	83, 95
	9926100721	61, 62, 67, 71, 75, 83, 84, 87, 91, 95, 96, 97, 98, 101, 105, 107, 111
	9926100722	61, 62, 67, 71, 75
	9926100723	83, 84, 87, 91, 95, 96, 97, 98, 101, 105, 107, 111
	9926100787	397
	9926101126	93, 115
	9926101227	189, 225
	9926101289	377
	9926101291	377
9926101496	181, 217	
9926101775	55, 133, 389	
<b>O-RING AND SEAL</b>	9372100003	53
<b>O-RING AND U-CUP SEAL</b>	9372100233	53
<b>O-RING PLUG #12</b>	7709000029	122
<b>O-RING PLUG #6</b>	7709000031	421
<b>O-RING, AIR CLEANER</b>	9304100014	343
<b>O-RING, COVER</b>	9926101295	377
<b>O-RING, LOW TEMPERATURE</b>	7754000135	13, 295, 305
<b>O-RING, PISTON</b>	9926101296	377
	9926101505	181, 217
<b>O-RING, RETURN FILTER</b>	7755247000	31
<b>PAD</b>	6705002466	21
<b>PAD, MTG.</b>	4160200047	173, 209, 253

From - O-RING

To - PAD, MTG.

# Manitowoc Cranes

<b>Alphabetical Index</b>	<b>Appendix A</b>	
Description	Part	Page
<b>PAD, OUTRIGGER</b>	2160100021	299
<b>PAD, SIDE WEAR</b>	4114900021	300
	6671000077	5, 7
<b>PAD, WEAR</b>	6671000013	5, 7
	6671000052	15
	6671000143	300
<b>PARTS ASSY,CONTROL</b>	9926101356	169, 205
<b>PEDAL</b>	9926101157	185, 221
<b>PEDAL ASSEMBLY</b>	7683000007	160, 196
<b>PILOT LIGHT</b>	9515100249	239
<b>PILOT, TANK FITTING</b>	7443000007	371
<b>PIN</b>	2112100014	299
	9049101679	266, 286
	9490100057	149
	9490100058	149
	9904101326	312
	9926100845	394
	9926100846	394
	9926101147	185, 221
	9926101149	185, 221
	9926101494	179, 215
	9926101779	389
	9926102007	389
<b>PIN INSTALLATION - TURNTABLE LOCK</b>	2160200022	159, 195
<b>PIN, ANCHOR</b>	9049101934	267, 287
<b>PIN, CENTERING</b>	9926100088	170, 206
<b>PIN, CLIP</b>	7689000036	25
	7689000053	17, 21
<b>PIN, COTTER</b>	9049100149	311
	9049101545	261, 283
	9049101682	265, 285
	9274100112	267
	9926101459	251
	9926102259	413
<b>PIN, DOWEL</b>	9722100230	351
<b>PIN, HINGE</b>	6570081833	139
<b>PIN, JIB CARRIER</b>	6689000035	25
<b>PIN, LOCK</b>	2162200014	173, 209, 253
<b>PIN, PIVOT</b>	2160700003	277
<b>PIN, ROLL</b>	9904101603	335
<b>PIN, SNAP LOCK</b>	7689000074	21

From - PAD, OUTRIGGER

To - PIN, SNAP LOCK

# Manitowoc Cranes

Alphabetical Index	Appendix A	
Description	Part	Page
<b>PIN, W/LANYARD</b>	7689000096	21
<b>PINION</b>	9049101907	261
<b>PINION AND SHAFT</b>	6810001044	31
<b>PINION, DRIVE</b>	6490000041	27
<b>PIPE</b>	6697000034	359, 373
<b>PISTON</b>	6701000084	11
	6701000085	13, 295
	9372100244	53
	9372100328	347
	9372100743	401
	9904101600	335
	9926100123	55, 133
	9926100135	55, 133
	9926101224	189, 225
	9926101300	377
	9926101434	155
	9926101506	181, 217
<b>PISTON AND POPPET</b>	9926101429	155
<b>PISTON, BALANCE</b>	9926101205	189, 225
<b>PISTON, BRAKE</b>	6701000097	145
<b>PISTON, CLUTCH</b>	9904101415	323, 325
<b>PISTON, CYLINDER</b>	6701000080	275, 297, 303
	6701000138	305
<b>PISTON, THROTTLE</b>	9372100320	347
<b>PIVOT ASSY</b>	2160800221	157
<b>PLANET CAGE AND SHAFT</b>	6250000010	31
<b>PLANET GEAR</b>	9490100097	149
<b>PLANET GEAR AND PINION</b>	6490000040	31
<b>PLANETARY SPIDER AND</b>	9049103908	266, 286
<b>PLATE</b>	2160700019	399
	4160200010	143
	4160800240	332
	6705001815	160, 196
	6705001821	165, 201
	6705002456	153
	6705002759	21
	6705004262	5, 7
	9515100224	245
	9515100230	245
	9904105444	313
	9926101143	185, 221

From - PIN, W/LANYARD

To - PLATE

# Manitowoc Cranes

Alphabetical Index	Appendix A	
Description	Part	Page
PLATE	9926102841	403
PLATE 16 GA	6705006545	299
PLATE ASSY, DIAPHRAGM	9049103912	273, 293
PLATE ASSY,DIAPHRAGM	9049102553	285
PLATE, BACK	9722100250	351
PLATE, BACKING	6705002946	146
PLATE, BAFFLE	4158800009	371
	4160800201	341
PLATE, BOTTOM	4160600028	165, 201
PLATE, COVER	4160600056	165, 201
	6705004098	439, 440
PLATE, DECK	2161100001	440
PLATE, DOOR STOP MOUNTING	4160400121	193
PLATE, END	4158800006	371
	4158800008	371
	9904101412	323, 325
	9926100775	389, 393
PLATE, FRONT	9722100231	351
PLATE, FRONT COVER	4160400130	193
PLATE, HEAD	6372001514	11
	6705000105	275, 297, 303
	6705000220	295
	6705000221	13, 305
PLATE, LATCH	4162600042	409
PLATE, LOAD CHART MOUNTING	6705004573	160, 196
PLATE, MOUNTING	2160200031	57
	4160800209	330
	6705000711	19
	6705001365	39
	6705001760	125
	6705001994	125
	6705003038	139
PLATE, OUTRIGGER	4160100119	299
PLATE, PANEL CONSOLE SIDE	2160400064	175, 211
PLATE, PRESSURE	6705001969	145
PLATE, RELIEF VALVE MOUNTING	6705001507	415
PLATE, RETAINING	9926100655	84, 91, 96, 97, 105, 107, 111
	9926100666	61, 62, 71, 75

From - PLATE

To - PLATE, RETAINING

# Manitowoc Cranes

Alphabetical Index	Appendix A	
Description	Part	Page
PLATE, SEAL	9926102452	390
PLATE, SPACER	4148300004	359, 373
	6705001431	21
	9632100263	35
PLATE, STOP	4123900190	21
	6705001787	28
PLATE, STRAINER	9926101456	251
PLATE, SUPPORT	4158800014	371
	4160200051	51
	4161400001	231
	6705002394	15
PLATE, TANK MOUNTING	4160800015	369
PLATE, THRUST	9722100031	151
PLATE, TOP	4158800015	371
PLATE, WEDGE	6705001786	27
PLATE,MTG	9926100083	169, 205
PLATE,SEAL	9926100390	393
PLATE,SPACER	9926100330	169, 205
PLUG	7242000015	165, 201
	7709000051	58
	9049100297	317
	9049101650	259, 281
	9049101700	261, 283
	9049101855	265, 285
	9049101940	269, 289
	9372100326	347
	9632100215	151
	9904101047	321
	9904101073	335
	9904101084	336
	9904101102	312
	9904101180	311
	9904101302	311, 313
	9904101308	312
	9904101309	312
	9904101314	312, 317
	9904101321	312
	9904101375	317
	9904102361	336
	9904103599	335
	9926100127	55, 133
	9926100128	55, 133
	9926100397	393

From - PLATE, SEAL

To - PLUG



# Manitowoc Cranes

Alphabetical Index	Appendix A	
Description	Part	Page
<b>PLUG</b>	9926100460	55, 133
	9926100674	63, 69, 83, 87, 95, 101
	9926100842	84, 89, 98, 103
	9926101153	185, 221
	9926101212	189, 225
	9926101306	377
	9926101428	155
	9926102038	397, 417
	9926102041	397, 417
<b>PLUG, #8 SAE SPECIAL</b>	9926102005	390
<b>PLUG, 1" BUTTON</b>	7242000021	19
<b>PLUG, ADJUSTABLE</b>	9926100596	155
<b>PLUG, CENTER</b>	9904107857	335
<b>PLUG, DOT</b>	7709000035	166, 176, 202, 212
<b>PLUG, DRAIN</b>	9049101920	265, 285
	9437100069	407
<b>PLUG, EXPANDER</b>	9372100013	53
<b>PLUG, EXPANSION</b>	9049102254	267, 287
<b>PLUG, FLUSH PIPE</b>	9926101259	61, 67
<b>PLUG, MAGNETIC</b>	9904101317	307, 312
<b>PLUG, ORIFICE</b>	9926101430	155
<b>PLUG, PLASTIC</b>	7709000058	145
<b>PLUG, PORT-THROTTLE VALVE</b>	9372100325	347
<b>PLUG,SEAL</b>	9926100097	169, 205
<b>PLUNGER</b>	9049101945	269, 289
	9904101606	335
	9926100691	61
	9926100844	394
	9926101777	389
	9926102844	403
<b>PLUNGER, DISPLACEMENT</b>	9926100703	83, 95
<b>POPPET</b>	9926101103	62, 63, 73, 77, 79, 81, 97, 98, 109, 113, 117, 119
	9926101124	93, 115
	9926101436	155
	9926102043	397, 417
	9926100658	96, 97, 98, 105, 107, 111
<b>POPPET, CHECK</b>	9926100670	62, 71
<b>POPPET, EXHAUST</b>	9926101218	189, 225
<b>POPPET, INLET</b>	9926101221	189, 225

From - PLUG

To - POPPET, INLET

# Manitowoc Cranes

Alphabetical Index	Appendix A	
Description	Part	Page
POSITIVE SWING LOCK	6585000057	159, 195
PRIMARY CARRIER ASSY	9490100103	149
PROTECTOR, WIRE	6814000076	435
PULL, FINGER	7511000052	159, 163, 195, 199
PUMP ASSEMBLY - STEER	7722000035	330
PUMP, CHARGING	9904101197	336
QUAD RING	9437100140	357
RACE, BEARING	7069000138	23
	9632100259	35
	9904101390	318
RACE, INNER	7069000220	146
RADIATOR AND OIL COOLER	2160800031	329
RADIATOR, MODIFIED	4160800276	341
RAIL	9904101381	317
	9904101424	321
RANGE SHIFTER ASSY - REAR	6049000470	399
RED	7581000166	443
REDUCER, HUMP	7734000030	331
RELAY	7750000019	307
RELAY PISTON	9926101299	377
REPAIR KIT	9926101676	189, 225
REPAIR KIT -	9515100398	384
REPAIR KIT - CHECK VALVE	9515100397	384
REPAIR KIT - HOIST	9752100158	147
REPAIR KIT - ORBIT MOTOR	9632100267	35
REPAIR KIT - PURGE VALVE	9515100396	384
RESERVOIR, AIR	7880000013	419
RESISTOR, 12 VOLTS	9515100239	237
	9515100240	237
RESTRICTOR	9515100384	243
RETAINER	9490100060	149
	9904102267	336
	9926101293	377
RETAINER, BEARING	6069000179	145
RETAINER, CABLE	2155900009	21
RETAINER, POPPET	9926101127	93, 115
RETAINER, SEAL	6794000266	32

From - POSITIVE SWING LOCK

To - RETAINER, SEAL

# Manitowoc Cranes

Alphabetical Index	Appendix A	
Description	Part	Page
<b>RETAINER, SPRING</b>	9904101338	315, 316
	9904101356	316
<b>RING</b>	9364100002	47
	9904101332	315, 316
	9904101362	316
	9926100327	170, 206
	9926101319	185, 221
	9926101514	181, 217
<b>RING ASSEMBLY - SLIP</b>	7753000128	39
<b>RING, ADJUSTING</b>	9049101546	261, 283
<b>RING, BACK-UP</b>	6753000145	13, 305
	6753000147	295
	6753000204	275, 297, 303
	6753000220	11
	7753001454	43
	7755011609	61
	7755110609	83, 95, 417
	7755117609	155
	7755120609	413
	7755125609	155
	7755214609	413
	7755325609	11, 13, 295, 305
	7755334609	275, 297, 303
	7755342609	11
	7755425609	13, 295, 305
	9926100714	84, 91, 96, 97, 105, 107, 111
	9926100716	61, 62, 71, 75
	9926100789	397
	9926101125	93, 115
	9926105172	55, 133
<b>RING, BAFFLE</b>	9904101336	315, 316
<b>RING, CENTER POST SLIP</b>	6714000017	39
<b>RING, GT</b>	7753000113	275, 297, 303
	7753000114	11
	7753000115	13, 295
	7753000440	305
<b>RING, GT WEAR</b>	7753000119	13, 295, 305
<b>RING, INTERNAL RETAINING</b>	7753000230	31
<b>RING, LOCK</b>	6753000016	275, 297, 303
	6753000017	11
	6753000018	13, 295, 305
<b>RING, MOUNTING</b>	6753000217	371
<b>RING, PISTON</b>	9372100014	53

From - RETAINER, SPRING

To - RING, PISTON

# Manitowoc Cranes

Alphabetical Index	Appendix A	
Description	Part	Page
<b>RING, PISTON</b>	9904101211	337
	9904101614	337
<b>RING, QUAD</b>	7755152101	45
	7755152400	45
	7755265400	43
	9632100005	169, 205
	9926100764	389, 394
<b>RING, RETAINING</b>	6753000021	275, 297, 303
	6753000022	11
	6753000036	295, 305
	6753000403	13
	7753000060	139
	9049101600	261, 283
	9490100071	149
	9490100100	149
	9490100101	149
	9904100942	315, 316, 317
	9904101022	311, 337
	9904101139	337, 338
	9904101190	336
	9904101206	337
	9904101207	311, 337
	9904101209	337
	9904101215	337
	9904101337	315, 316
	9904101352	316
	9904101411	323, 325
	9926101225	189, 225
	9926101226	189, 225
	9926102203	187, 223
9926102207	187, 223	
<b>RING, SEAL</b>	9904101416	323, 325
	9904101417	323, 325
<b>RING, SEALING</b>	9926101403	381
<b>RING, SIRVON</b>	7753000357	45
<b>RING, SNAP</b>	7753000156	23
	7753000171	146
	7753000223	145
	7753000224	146
	7753000225	145
	7753000358	45
	7753000362	43
	9049101935	269, 289
	9049101960	271, 291
	9274100125	266, 286

From - RING, PISTON

To - RING, SNAP

# Manitowoc Cranes

Alphabetical Index	Appendix A	
Description	Part	Page
<b>RING, SNAP</b>	9632100196	151
	9904101182	335
	9904101188	336
	9904101192	336
	9904101220	337
	9904101232	338
	9904101334	315, 316
	9904101342	315
	9904101348	316
	9904101354	316
	9904101359	316
	9904101361	316
	9904101425	321
	9926100110	170, 206
	9926101288	377
	<b>RING, THREAD</b>	9372100012
<b>RING, THRUST</b>	9926101206	189, 225
<b>RING, WEAR</b>	7753000117	275, 297, 303
	7753000118	11
	7753000148	13, 305
	7753000150	295
	7753000175	275, 297, 303
	7753000218	11
<b>RING, WIPER</b>	7794000007	275, 297, 303
	7794000015	295
	7794000277	11
<b>RING,SIRVON</b>	7753000353	43
<b>RIVET</b>	9049101931	269, 289
	9904101327	313
<b>ROD</b>	6768000175	303
	9515100262	239
<b>ROD, ADJUSTING</b>	6865142271	330
<b>ROD, CONNECTING</b>	2104600177	173, 209, 253
<b>ROD, CYLINDER</b>	6810000176	13
<b>ROD, GUIDE</b>	9926101208	189, 225
<b>ROD, LINKAGE</b>	4160800102	157
<b>ROD, PISTON</b>	9372100318	347
<b>ROD, PUSH</b>	9926101148	185, 187, 221, 223
	9926101238	189, 225
<b>ROD, TIE</b>	9049103910	266, 286
<b>ROD,CYL</b>	6768000322	11
<b>ROD,END</b>	9372100742	401

From - RING, SNAP

To - ROD,END

# Manitowoc Cranes

Alphabetical Index	Appendix A	
Description	Part	Page
<b>ROLLER</b>	9049101957	271, 291
	9926101160	185, 221
<b>ROLLER, NEEDLE</b>	9490100066	149
	9490100067	149
<b>SASH LOCK</b>	7585000004	159, 195
<b>SCREEN</b>	9904101318	312
	9926101481	189, 225
<b>SCREW</b>	9926101473	379
<b>SCREW AND LOCKWASHER</b>	9904102266	335, 336, 338
<b>SCREW CAP</b>	9926101462	367, 431
<b>SCREW,</b>	9049100260	311
	9049100264	311, 312, 336
	9049100266	312
	9049100272	318
	9049103396	265, 285
	9515100208	243
	9515100253	239
	9632100142	35
	9904101184	313, 336
	9904101240	338
	9904101306	311
	9904101324	312
	9904101365	317
	9904101619	337
	9904102276	338
	9926100385	393
	9926100386	393
	9926100650	83, 91, 96, 97, 105, 107, 111
	9926100774	389, 393
	9926100788	155
9926101303	377	
9926101489	179, 215	
9926101503	181, 217	
9926101513	181, 217	
9926102042	397, 417	
9926102201	187, 223	
<b>SCREW, ADJUSTING</b>	9926101433	155
<b>SCREW, ADJUSTMENT</b>	9926100693	61
<b>SCREW, FILLISTER HEAD</b>	9926100661	61, 62, 71, 75
<b>SCREW, LOCK</b>	9904101044	318, 321
<b>SCREW, MACHINE</b>	9515100191	241
	9515100197	241

From - ROLLER

To - SCREW, MACHINE

# Manitowoc Cranes

Alphabetical Index	Appendix A	
Description	Part	Page
SCREW, MACHINE	9926101211	189, 225
	9926101404	381
SCREW, ROLLING	9926101302	377
SCREW, SHOULDER	9926102251	413
SCREW, SPRING ADJUSTING	9926100705	83, 96
SCREW, THRUST	9049101498	261, 283
SEAL	7794000129	40
	7794000268	31
	7794000269	32
	7794000270	32
	9632100002	169, 205
	9632100258	35
	9926100389	393
	9926100726	393
	9926100727	393
	9926102836	403
	9926102845	403
	SEAL ASSEMBLY, ANCHOR	9049101943
SEAL, "U" CUP ROD	7794000002	13, 305
SEAL, CROWN	7794000461	45
SEAL, DIAPHRAGM	9722100014	351
SEAL, DUST	9632100256	35
SEAL, HOUSING	9437100070	407
SEAL, O-RING	9926101856	63, 77, 81
SEAL, PINION AND SHAFT	7794000267	31
SEAL, POCKET - 3" STRIP	9632100201	151
SEAL, RING	9632100200	151
SEAL, ROD	7794000006	275, 297, 303
	7794000010	295
	7794000256	11
SEAL, SCRAPER	7794000022	13, 305
SEAL, SHAFT	9632100195	151
	9722100009	351
SEAL, THREAD	9926100584	155
SEAL, WIPER	9372100011	53
SEAL,OIL	7794000264	146
	7794000265	146
	9049101579	261, 283
	9049101648	265, 285
	9049101656	266, 286

From - SCREW, MACHINE

To - SEAL,OIL

# Manitowoc Cranes

Alphabetical Index	Appendix A	
Description	Part	Page
<b>SEAL,OIL</b>	9049101697	266, 286
	9904100934	336
	9904101051	317, 321
	9904101290	311
	9904101410	318
	9904101628	318
	9904102275	338
<b>SEAT</b>	7798000030	160, 196
	9904101605	335
	9926100120	55, 133
	9926100132	55, 133
	9926100688	61
	9926100724	393
	9926100786	397, 417
	9926101301	377
<b>SEAT, CHECK</b>	9926100096	169, 205
<b>SEAT, FLOATING</b>	9926100700	83, 95
	9926101100	62, 63, 73, 77, 79, 81, 97, 98, 109, 113, 117, 119
<b>SEAT, SPRING</b>	9926101454	251
<b>SEAT, SUSPENSION</b>	7869000238	160, 196
<b>SEAT, TUBE</b>	9926102198	187, 223
<b>SEAT, VALVE</b>	9926101461	367, 431
<b>SECONDARY CARRIER ASSY</b>	9490100102	149
<b>SECTION ASSEMBLY - BOOM BASE</b>	6164000465	3
<b>SECTION ASSEMBLY - BOOM MID</b>	2115900061	3
<b>SENDER, FUEL LEVEL</b>	7872000014	359, 373
<b>SENDER, OIL TEMPERATURE</b>	7352000038	331
<b>SENDER, TEMPERATURE</b>	7352000009	331
<b>SEPARATOR</b>	9490100062	149
<b>SET SCREW</b>	9372100314	347
	9515100169	235
	9926101101	62, 63, 73, 77, 79, 81, 97, 98, 109, 113, 117, 119
<b>SHAFT</b>	4122900113	21
	4155900007	21
	6810000181	9
	6810000576	255, 277
	6810000580	277
	6810000667	7
	6810000761	277
	6810000768	305

From - SEAL,OIL

To - SHAFT



# Manitowoc Cranes

Alphabetical Index	Appendix A		
Description	Part	Page	
<b>SHAFT</b>	6810000772	299	
	6810000849	157	
	6810000969	51	
	6810001050	17	
	6810001090	255, 277	
	6810001205	440	
	9049101849	266, 286	
	9049104363	267	
	9049104364	267	
	9372100231	53	
	9904101189	336	
	9904101203	337	
	9904101212	337	
	9904101423	321	
	9904101627	336	
	<b>SHAFT AND DRUM</b>	9904101340	315, 323
		9904101347	315, 323
9904101357		316, 325	
<b>SHAFT AND GEAR SET</b>	9632100216	151	
<b>SHAFT ASSEMBLY</b>	6810000897	275, 297	
	9904101385	317	
<b>SHAFT WELD, CYL</b>	6810000759	295	
<b>SHAFT, DOUBLE TAPPED</b>	6810000996	5	
<b>SHAFT, DRIVE</b>	6810000318	139	
<b>SHAFT, FLEXIBLE</b>	7810001122	139	
	7810001151	139	
<b>SHAFT, FLEXIBLE - 14'</b>	7810001118	139	
<b>SHAFT, FLEXIBLE - 16'</b>	7810001119	139	
<b>SHAFT, FLEXIBLE - 18'</b>	7810001120	139	
<b>SHAFT, HEADED</b>	6810000624	5	
	6810000770	299	
<b>SHAFT, IDLER</b>	9904101379	317	
<b>SHAFT, INPUT</b>	6810001043	145	
	9904101299	311	
<b>SHAFT, MAIN</b>	6810001040	145	
<b>SHAFT, PLANET</b>	6810001045	31	
<b>SHAFT, SPLINE</b>	9632100261	35	
<b>SHAFT, TAPPED</b>	6810000995	5	
<b>SHEATH, HOSE</b>	6814000110	300	
<b>SHEAVE</b>	6718000076	23	
<b>SHEAVE WHEEL ASSEMBLY</b>	6718000092	21	

From - SHAFT

To - SHEAVE WHEEL ASSEMBLY

# Manitowoc Cranes

Alphabetical Index	Appendix A	
Description	Part	Page
SHEAVE, HOSE	6718000018	17
SHELL	9926100769	389, 393
SHELL, CARTRIDGE	9926101123	93, 115
SHIELD	6814000097	231
SHIELD, DUST	9049101924	269, 289
	9049101925	269, 289
SHIELD, DUST - L.H.	9049101922	269, 289
SHIELD, DUST - R.H.	9049101923	269, 289
SHIM (.0359")	6705004268	143
SHIM,	4160600080	349
	6705001446	51
	6705002675	31
	6705007911	173, 209, 253
	9049101669	266, 286
	9049101894	261, 283
	9926101207	189, 225
SHIM, .020	9904101398	318
SKID, CYL HEAD	6869000120	11, 15
SKYLIGHT	2150400007	159, 195
SLEEVE	9904101193	336
	9904101235	338
	9904101297	311
	9904101402	318
	9926100771	389, 393
	9926100773	389, 393
	9926101223	189, 225
	9926102842	403
SLEEVE, 1/4" I.D. X 3"	9364100091	47
SLEEVE, 3/16" I.D. X 3"	9364100092	47
SLEEVE, TUBE	9904100993	311, 312
SLIP-ON, FEMALE	7345001509	437
SLUG, STEEL	9926101105	62, 63, 73, 77, 79, 81, 97, 98, 109, 113, 117, 119
SOCKET,	9515100241	237
SOLENOID ASSEMBLY	9926102269	390
SOLENOID VALVE ASSEMBLY	9926100767	393
SOLENOID, STARTER	7750000005	332
SPACER	2160700020	399
	4160600071	229

From - SHEAVE, HOSE

To - SPACER

# Manitowoc Cranes

Alphabetical Index	Appendix A		
Description	Part	Page	
<b>SPACER</b>	6910000139	139	
	6910000521	303	
	6910000552	295	
	6910000838	11	
	6910000948	145	
	6910000949	31	
	6910000951	31	
	6910001092	255, 277	
	6910001261	145	
	7910000116	229	
	7910000117	229	
	9049102942	283	
	9049102943	261	
	9515100174	235	
	9515100259	239	
	9632100269	35	
	9904101222	337	
	9904101344	315	
	9904101370	317	
	9904101383	317	
	9904101388	318	
	9926100129	55, 133	
	9926100325	169, 205	
	<b>SPACER, DRIVE S</b>	9904101609	336
	<b>SPACER, ROD</b>	6768000224	13
<b>SPACER, SHAFT</b>	9904101186	336	
<b>SPACER, WATER INLET</b>	4158800078	332	
<b>SPACER, WEAR PAD</b>	4114900049	300	
<b>SPACER, ROD</b>	6768000226	305	
<b>SPACER, RUBBER</b>	6637015010	159, 163, 195, 199	
<b>SPIDER</b>	9049101538	262	
<b>SPINDLE ASSEMBLY</b>	9049103906	266, 286	
<b>SPLINE</b>	9926100326	169, 205	
<b>SPOOL</b>	6830000010	45	
	6830000014	43	
<b>SPOOL STOP</b>	9926102252	413	
<b>SPRING</b>	7834000010	125	
	7834000011	39	
	7834000012	173, 209, 253	
	7834000037	411	
	9049101959	271, 291	
	9188100171	269, 289	
	9372100329	347	

From - SPACER

To - SPRING

# Manitowoc Cranes

Alphabetical Index	Appendix A		
Description	Part	Page	
<b>SPRING</b>	9722100016	351	
	9904101050	317, 321	
	9904101339	315, 316	
	9904101601	335	
	9904101602	335	
	9904101607	335	
	9926100089	169, 205	
	9926100094	169, 205	
	9926100130	55, 133	
	9926100134	55, 133	
	9926100398	393	
	9926100399	393	
	9926100607	155, 397, 417	
	9926100692	61	
	9926100765	389	
	9926100772	389, 393	
	9926101128	83, 95	
	9926101161	185, 221	
	9926101222	189, 225	
	9926101292	377	
	9926101298	377	
	9926101439	155	
	9926101440	155	
	9926101455	251	
	9926101466	367, 431	
	9926101483	453	
	9926101504	181, 217	
	9926101511	181, 217	
	9926102253	413	
	9926102843	403	
	<b>SPRING, BALANCE</b>	9926101236	189, 225
	<b>SPRING, BRUSH 2.8 LBS</b>	9364100177	47
	<b>SPRING, CAP</b>	9926100654	84, 91, 96, 97, 105, 107, 111
9926100833		61, 62, 71, 75	
<b>SPRING, CHECK</b>	9926100659	96, 97, 98, 105, 107, 111	
	9926100671	62, 71	
<b>SPRING, CHECK VALVE</b>	9926101104	62, 63, 73, 77, 79, 81, 97, 98, 109, 113, 117, 119	
<b>SPRING, COMPRESSION</b>	7834000075	145	
	9926102206	187, 223	
<b>SPRING, GOVERNOR</b>	7834000015	139	
<b>SPRING, GRADUATING</b>	9372100316	347	
<b>SPRING, RELIEF VALVE</b>	9926101112	62, 63, 73, 77, 79, 81, 97, 98, 113, 119	

From - SPRING

To - SPRING, RELIEF VALVE

# Manitowoc Cranes

Alphabetical Index	Appendix A	
Description	Part	Page
SPRING, RELIEF VALVE	9926101379	97, 109, 117
SPRING, TAKE-UP	9372100315	347
SPRING,BALANCE	9926102157	187, 223
SPRING,COMPRESSION	9926102200	187, 223
SPRING,CUP	9926102156	187, 223
STATOR, SLEEVE AND SUPPORT	9904101213	337
STEEL BALL SET	9926101485	453
STEERING SHAFT ASSY	9926100741	170, 206
STEM	9926101452	251
STEP, CAB WELD	4160400136	193
STOP	9515100263	239
	9904101092	335
	9926102254	413
STOP,SPRING-CUP	9926102158	187, 223
STRAP	4122800059	435
	6705001019	369
	7850000032	140
STRAP, GROUND	7850000046	332
STRAP, RETAINER	4137400087	231
STRAP, TANK	6850000090	231
STUD	6864000066	125
	6865161030	17
	7866142140	141
	7866162140	300
	9049101651	259, 281
	9049101661	265, 285
	9049101687	265, 285
	9364100493	47
	9904101194	338
	9904101201	336
	9904101248	338
	9904101316	312
	9926102850	390
STUD, BRASS	9364100803	47
STUD, MEDIUM	9049101560	259, 281
SUPPORT	6869000141	139
	7869000077	159, 195, 345
SUPPORT BRKT WELD (FREE FALL W	2160600163	175, 211
SUPPORT WELD,MOUNT - MOTOR	6869000021	329
SUPPORT, ANGLE	4142800093	165, 201

From - SPRING, RELIEF VALVE

To - SUPPORT, ANGLE

# Manitowoc Cranes

Alphabetical Index	Appendix A	
Description	Part	Page
SUPPORT, DOOR	7869000066	345
SUPPORT, MOTOR	6869000123	31
SUPPORT, POPPET PLATE	9926101217	189, 225
SUPPORT, RAIL	9904101380	317
SWITCH, 24 VOLT	7872000101	443
	7872000158	165, 201
	9515100194	241
	9515100247	239
	9515100364	241
SWITCH, HEADLAMP	7872000007	165, 201
SWITCH, IGNITION	7872000147	165, 201
SWITCH, PRESSURE	7872000059	361, 425
	7872000107	331
SWITCH, PUSH BUTTON	7872000066	175, 211
SWITCH, PUSH PULL	7872000164	176, 212
SWITCH, TOGGLE	7872000030	175, 211
	7872000062	165, 201
SWIVEL ASSEMBLY	7364000285	39
SWIVEL ASSEMBLY -	7364000286	39
SYSTEM, ALARM	7025000026	440
TAG	9049102252	269, 289
TANK UNIT INSTALLATION	7576000010	359, 373
TANK, AIR	7880000011	375
TEE	7888000018	363, 427
	7888000019	363, 427
	7888000022	307
	7888000045	445
TEE, SERVICE	7888000031	458
	7888000033	121, 153, 363, 427
	7888000037	449
	7888000057	363, 364, 427, 428
	7888000070	363, 427
TERMINAL, BATTERY CABLE	7892000053	332
	7892000054	332
THUMBSCREW	9515100219	245
TIE, CABLE (NATURAL)	7850000064	330
TORQUE CONVERTER ASSEMBLY	7356000009	329
TRANSMISSION ASSEMBLY	7904000019	307, 309
	7904000023	307

From - SUPPORT, DOOR

To - TRANSMISSION ASSEMBLY

# Manitowoc Cranes

Alphabetical Index	Appendix A	
Description	Part	Page
TREADLE	9926101145	185, 221
TRIANGLE	6705000025	369
TUBE	6200320424	331
	6910000427	331
	6910001245	331
	6910001704	153
	6910001706	153
	6910001714	153
	6910001715	153
	6910001717	153
	6911067201	231
	6911081920	362, 426
	9515100205	243
	9904101294	311
	9904101296	311
	9904101310	312
	9904101323	312
	9926100843	390, 394
TUBE - USE 9910100014	6911041761	27
TUBE AND FLANGE	9926100742	170, 206
TUBE USE 9910100014	6911040961	33
TUBE, CAP & GUIDE	9926102197	187, 223
TUBE, CYL	9372100694	401
TUBE, PUSH	9372100312	347
TUBE, SUCTION	6910000083	371
TUBING - USE 9910100014	6911041121	27
TUBING INSTALLATION -	6974000182	146
TUBING, COPPER	6911041201	122
	6911081441	332
	6911109760	362, 426
TURBINE	9904101218	337
TURNTABLE LOCK PIN COVER	2160200023	173, 209, 253
U-CHANNEL	6290000181	37
U-CUP	9926101213	187, 189, 223, 225
	9926101230	189, 225
U-CUP SEAL	9926102204	187, 223
U-JOINT	9049101654	266, 286
	9049104362	267
UNIT, SENDING	7352000016	331
VALVE	9437100064	407

From - TREADLE

To - VALVE

# Manitowoc Cranes

Alphabetical Index	Appendix A	
Description	Part	Page
<b>VALVE</b>	9515100214	243
	9926101294	377
	9926101468	379
	9926101469	379
	9926101497	181, 217
<b>VALVE ASSEMBLY</b>	7926000198	175, 177, 211, 213
<b>VALVE ASSEMBLY -</b>	7926000205	375
	7926001061	399
<b>VALVE ASSEMBLY - HORN</b>	7926000208	249
<b>VALVE ASSEMBLY - 3-WAY</b>	7926000391	399
<b>VALVE ASSEMBLY - 4 STACK</b>	7926000219	387
<b>VALVE ASSEMBLY - 4-WAY</b>	7926000231	95
<b>VALVE ASSEMBLY - 4-WAY SECTION</b>	7926000222	61
	7926000228	83
	7926000233	95
<b>VALVE ASSEMBLY - CHECK</b>	7926000044	51, 131
	7926000207	361, 425
	7926000216	375
<b>VALVE ASSEMBLY - CONTROL</b>	7926000338	157
	9926101156	185, 221
<b>VALVE ASSEMBLY - DOUBLE CHECK</b>	7926000139	160, 196
<b>VALVE ASSEMBLY - HOIST</b>	7926000559	153
<b>VALVE ASSEMBLY - OUTLET</b>	7926000229	83, 95
<b>VALVE ASSEMBLY - OUTRIGGER SELECT</b>	7926000173	387
<b>VALVE ASSEMBLY - RELAY</b>	7926000323	375
<b>VALVE ASSEMBLY - RELIEF</b>	7926000701	387
	7926000702	415
	9926101841	62, 71, 97, 98, 111
	9926101842	61, 67
	9926101843	95
	9926101845	63, 75
	9926101847	83, 87, 95, 101
9926101848	97, 107	
<b>VALVE ASSEMBLY - SECTION</b>	7926000223	61
	7926000225	61
<b>VALVE ASSEMBLY - SELECTOR</b>	7926000756	411
<b>VALVE ASSEMBLY - STEERING</b>	7926000204	165, 201
<b>VALVE ASSY - INLET AND</b>	9926101286	377
<b>VALVE ASSY,PUSH PULL CONTROL</b>	7926000199	165, 201
<b>VALVE BANK ASSEMBLY -</b>	6926000403	57

From - VALVE

To - VALVE BANK ASSEMBLY -



# Manitowoc Cranes

<b>Alphabetical Index</b>	<b>Appendix A</b>	
Description	Part	Page
VALVE BANK ASSEMBLY - FOUR	6926000245	57
VALVE BANK ASSEMBLY - TWO	6926000512	57
VALVE BODY	9926101287	377
VALVE GUIDE	9926101502	181, 217
VALVE SEAT	9926101498	181, 217
VALVE SECTION	9926100416	393
VALVE SECTION - 4 WAY	7926000232	95
	7926000275	61
VALVE SECTION - INLET	7926000227	95
	7926000353	83, 95
VALVE SECTION - RELIEF	7926000377	95
VALVE SPRING	9926101501	181, 217
VALVE STEM	9926101499	181, 217
VALVE, AIR BLEEDER	7926000351	131, 295
VALVE, CHECK	7926000045	445
	9722100120	151
	9926100699	83, 95
VALVE, CONTROL	9926101144	185, 221
VALVE, DISC	9926101465	367, 431
VALVE, DRAIN	7926000209	375
VALVE, INLET	9926101453	251
VALVE, INLET AND EXHAUST	9926101500	181, 217
VALVE, PRESSURE PROTECTION	7926000931	375
VALVE, PRESSURE RELIEF	7926000287	449
VALVE, REGULATOR	9904101604	335
VALVE, SAFETY	7926000210	361, 425
	9515100868	383
VALVE, SECTION	9926101998	390
	9926101999	389
	9926102000	390
VALVE, STEM	9926101491	179, 215
VALVE,HOLDING 3/8 X 1/2 W/PILO	7926000154	11, 13
VALVE-DRAIN COCK	7926000014	332
VENT, AIR	7934000007	32
VIBRATOR AND CONDENSER KIT	9515100244	237
VOLTMETER	7486000335	165, 201
WASHER	9904101392	318, 319

From - VALVE BANK ASSEMBLY - FOUR

To - WASHER

# Manitowoc Cranes

Alphabetical Index	Appendix A	
Description	Part	Page
WASHER .66" I.D.	9049101554	261, 283
WASHER SHOULDERED	9515100196	239, 241
WASHER,	6949000155	277
	9049101599	261, 283
	9049102173	265, 285
	9049103391	266, 286
	9049103749	271, 291
	9490100050	149
	9515100184	241
	9515100187	239, 241
	9515100188	239, 241
	9515100189	239, 241
	9515100190	239, 241
	9515100209	243
	9515100255	239
	9515100256	239
	9515100345	243
	9632100052	35
	9722100046	151
	9904100938	311, 336
	9904100996	312
	9904101191	336
	9904101237	338
	9904101239	338
	9904101325	312
	9904101369	317
	9904101378	317
	9926100394	393
	9926100697	83, 95
	9926100766	389
	9926101389	181, 217
	9926102202	187, 223
	9926102257	413
	9926102261	413
WASHER, 5/8" I.D.	7949000259	299
WASHER, 5/8" I.D. FLAT	7949000148	307, 329
WASHER, BACK-UP	9372100245	53
WASHER, GASKET	9926100686	61
WASHER, HARDENED ROUND	7949000238	27
WASHER, LOCK	7949000083	121
	9049100006	313, 317
	9049100146	317, 318, 321
	9049100287	311
	9049100288	311, 312, 336
	9049100291	337

From - WASHER .66" I.D.

To - WASHER, LOCK

# Manitowoc Cranes

Alphabetical Index	Appendix A	
Description	Part	Page
<b>WASHER, LOCK</b>	9049101705	265, 285
	9722100515	285, 289
	9904101227	337
	9904101246	338
	9926101151	185, 221
	9926101472	379
	9926101488	179, 215
	9926101515	181, 217
<b>WASHER, NEEDLE BEARING</b>	7949000162	23
<b>WASHER, SEAL</b>	9926101214	189, 225
<b>WASHER, SPECIAL</b>	6949000147	329
<b>WASHER, THRUST</b>	9049101540	262
	9049101673	266, 286
	9049101847	266, 286
	9049101848	266, 286
	9049101908	261
	9049101961	271, 291
	9490100051	149
<b>WEATHERSTRIP</b>	6637000017	163, 199
	6637002002	163, 199
	6637003023	159, 195
	6637014018	159, 195
<b>WEATHERSTRIP - RIGHT SIDE</b>	6637014010	163, 199
<b>WEDGE</b>	9049101955	271, 291
<b>WEDGE ASSEMBLY</b>	9049101954	269, 271, 289, 291
<b>WEDGE, SPECIAL</b>	6958000005	146
<b>WELDMENT, CAB DOOR</b>	6392000042	163, 199
<b>WHEEL</b>	6970000101	139
	9515100229	245
<b>WHEEL, INDICATOR</b>	7970000553	140
<b>WHEEL, STEERING</b>	7970000086	165, 201
<b>WINDOW, TRIM</b>	6637006010	163, 199
<b>WIPER INSTALLATION -</b>	2160400045	160, 196
<b>WIRE</b>	9515100200	237, 243
<b>WIRE, SAFETY</b>	6978000257	28
<b>WIRING DIAGRAM</b>	6294000879	332
<b>YOKE</b>	7308000001	57, 157, 173, 209, 253
	7308000014	157
	7308000042	330
	9049101910	261, 283
<b>YOKE AND BALL JOINT</b>	2160200020	57

From - WASHER, LOCK

To - YOKE AND BALL JOINT

# Manitowoc Cranes

Alphabetical Index		Appendix A
Description	Part	Page
YOKE ASSEMBLY	7308000047	57
YOKE, TIE ROD END	9049101676	266, 286
	9049101677	266, 286

From - YOKE ASSEMBLY

To - YOKE, TIE ROD END

# Manitowoc Cranes

Numerical Index		Appendix B
Part	Description	Page
100000000	MAJOR "SPECIAL" LEGEND	193, 235, 259, 281, 318
2104600177	ROD, CONNECTING	173, 209, 253
2112100014	PIN	299
2115200014	BEARING	27
2115900060	BOX, MID BOOM	7
2115900061	SECTION ASSEMBLY - BOOM MID	3
2123900100	MAST, CABLE SUPPORT	21
2150400007	SKYLIGHT	159, 195
2150400009	DOOR ASSEMBLY - CAB	159, 195
2155900009	RETAINER, CABLE	21
2158600038	COVER ASSY, STABILIZER	277
2158800005	HYDRAULIC RESERVOIR	369
2160100003	BOX, STABILIZER MOUNTING	277
2160100009	BOX, OUTER AND EXTENSION	299
2160100012	BOX, OUTRIGGER INNER	299
2160100016	CLEARANCE LIGHTS &	435
2160100021	PAD, OUTRIGGER	299
2160100065	COVER, STORAGE	440
2160100072	CLAMP, HOSE	299
2160200020	YOKE AND BALL JOINT	57
2160200022	PIN INSTALLATION - TURNTABLE LOC	159, 195
2160200023	TURNTABLE LOCK PIN COVER	173, 209, 253
2160200024	BRACKET, LINKAGE	173, 209, 253
2160200031	PLATE, MOUNTING	57
2160200035	BRACKET	57
2160200222	FRONT CONTROL CONSOLE WELD	165, 201
2160400042	CAB ASSEMBLY	193
2160400045	WIPER INSTALLATION -	160, 196
2160400049	CAB SECTION	159, 195
2160400063	CONTROL CONSOLE	159, 195
2160400064	PLATE, PANEL CONSOLE SIDE	175, 211
2160400070	HINGE	159, 195
2160600045	FRONT CONTROL CONSOLE	159, 195
2160600163	SUPPORT BRKT WELD (FREE FALL W	175, 211
2160600192	BRAKE CABLE ASSEMBLY	229
2160700003	PIN, PIVOT	277

From - 100000000

To - 2160700003

# Manitowoc Cranes

Numerical Index		Appendix B
Part	Description	Page
2160700019	PLATE	399
2160700020	SPACER	399
2160700029	BOX, SWITCH MOUNTING	443
2160800022	GRILL, ENGINE HOOD	345
2160800031	RADIATOR AND OIL COOLER	329
2160800035	CONNECTOR, EXHAUST	331
2160800060	MANIFOLD, HYDRAULIC	49
2160800076	BRACKET, MOUNTING	329
2160800079	ADAPTER	157
2160800080	BRACKET, SHIFT LINKAGE	157
2160800081	LEVER, SHIFTING	157
2160800082	LEVER, SHIFTING	157
2160800105	DOOR ASSY, BATTERY BOX	359, 373
2160800117	BOX, TOOL	359, 373
2160800121	BOX, BATTERY	359, 373
2160800142	DIPSTICK	307
2160800157	BRACKET, MOUNTING	332
2160800185	MOUNT, LEFT HAND FRONT	307
2160800186	MOUNT, RIGHT HAND FRONT	307
2160800187	MOUNT, LEFT HAND REAR	307
2160800188	MOUNT, RIGHT HAND REAR	307
2160800197	CLEANER ASSEMBLY - AIR	329
2160800206	DOOR ASSY, BATTERY BOX	359, 373
2160800208	DOOR ASSY, BATTERY BOX	359, 373
2160800211	OIL PRESSURE CHECK POINT	330
2160800221	PIVOT ASSY	157
2160800225	DOOR, RIGHT HAND	345
2160800226	DOOR, LEFT HAND	345
2160800229	HOOD, ENGINE	345
2160800230	ENGINE HOOD AND GRILL	329
2160800233	DOOR ASSY, BATTERY BOX	359, 373
2160900013	COVER ASSEMBLY	17
2160900025	JIB, 23 FT	21
2161100001	PLATE, DECK	440
2161400004	COVER, BRAKE	160, 196
2162100003	BRACKET, REAR ENGINE MOUNTING	329

From - 2160700019

To - 2162100003

# Manitowoc Cranes

Numerical Index		Appendix B
Part	Description	Page
2162200010	LEVER, HAND	173, 209, 253
2162200014	PIN, LOCK	173, 209, 253
2162800017	BRACKET, MOUNTING	341
2170800071	BRACKET	331
3531000001	MALE HOLDER	193
3531000002	FEMALE HOLDER	193
4104800012	HOUSING, MANIFOLD	387
4114900021	PAD, SIDE WEAR	300
4114900049	SPACER, WEAR PAD	300
4122800059	STRAP	435
4122900113	SHAFT	21
4123900190	PLATE, STOP	21
4137400087	STRAP, RETAINER	231
4142200062	COVER, SPRING	125
4142800093	SUPPORT, ANGLE	165, 201
4148300004	PLATE, SPACER	359, 373
4150400094	BLOCK, MOUNTING	159, 195
4150400095	BLOCK, MOUNTING	159, 195
4155900007	SHAFT	21
4158100043	CLAMP	229
4158800002	ANGLE, LEFT HAND MOUNTING	371
4158800003	ANGLE, RIGHT HAND MOUNTING	371
4158800006	PLATE, END	371
4158800008	PLATE, END	371
4158800009	PLATE, BAFFLE	371
4158800011	MOLDING, EDGE	371
4158800014	PLATE, SUPPORT	371
4158800015	PLATE, TOP	371
4158800078	SPACER, WATER INLET	332
4160100048	COVER, LIGHT	435
4160100055	GUSSET	299
4160100085	LEVER, LATCH	299
4160100108	BAR, STOP	300
4160100109	BRACKET, MOUNTING	435
4160100119	PLATE, OUTRIGGER	299
4160100139	COVER, HOSE	299

From - 2162200010

To - 4160100139

# Manitowoc Cranes

Numerical Index		Appendix B
Part	Description	Page
4160200010	PLATE	143
4160200032	LINK	57
4160200033	LINK	57
4160200034	END, ROD	57
4160200047	PAD, MTG.	173, 209, 253
4160200051	PLATE, SUPPORT	51
4160400062	COVER, CONSOLE SIDE	175, 211
4160400063	ANGLE	175, 211
4160400065	ANGLE	175, 211
4160400067	COVER, CONSOLE	175, 211
4160400068	COVER, CONSOLE	175, 211
4160400111	COVER, CONSOLE	175, 211
4160400120	BRACKET, MOUNTING	193
4160400121	PLATE, DOOR STOP MOUNTING	193
4160400122	CONSOLE, TOP COVER - R.H.	175, 211
4160400130	PLATE, FRONT COVER	193
4160400136	STEP, CAB WELD	193
4160600024	ANGLE	165, 201
4160600028	PLATE, BOTTOM	165, 201
4160600029	COVER, TOP	165, 201
4160600056	PLATE, COVER	165, 201
4160600071	SPACER	229
4160600078	ENCLOSURE, PEDAL	165, 201
4160600079	COVER	349
4160600080	SHIM,	349
4160600085	LEVER, CONTROL	58
4160600086	LEVER, CONTROL	58
4160600087	LEVER, CONTROL	58
4160600088	LEVER, CONTROL - SWING	58
4160600089	LEVER, CONTROL - FLY	58
4160600090	LEVER, CONTROL - MID	58
4160600091	LEVER, CONTROL - AUXILIARY	58
4160700026	BAR, LINKAGE	399
4160700027	BAR, LINKAGE	399
4160700028	BAR, LINKAGE	399
4160700032	LOCKOUT SHAFT	411

From - 4160200010

To - 4160700032



# Manitowoc Cranes

Numerical Index		Appendix B
Part	Description	Page
4160800015	PLATE, TANK MOUNTING	369
4160800058	ANGLE, SUPPORT	341
4160800090	ANGLE, MOUNTING	49
4160800102	ROD, LINKAGE	157
4160800201	PLATE, BAFFLE	341
4160800202	BRACKET	341
4160800203	BRACKET	341
4160800209	PLATE, MOUNTING	330
4160800240	PLATE	332
4160800242	BAFFLE	341
4160800245	BAFFLE	341
4160800276	RADIATOR, MODIFIED	341
4161400001	PLATE, SUPPORT	231
4162100044	GUARD, LIGHT	435
4162600041	COVER, SIDE	409
4162600042	PLATE, LATCH	409
4162600043	ANGLE, MOUNTING	409
4162600044	ANGLE, MOUNTING	409
4175700011	COLLAR, CAM MOUNTING	364, 428
6013000017	ADAPTER, SWIVEL	458
6013000068	ADAPTER	445
6030000279	ANGLE, MOUNTING	375
6030000303	ANGLE, MOUNTING	375
6030000373	ANGLE	21
6030000383	ANGLE, MOUNTING	375
6030000418	ANGLE	341
6030000554	ANGLE	329
6030000686	ANGLE, MOUNTING	375
6030000737	ANGLE	176, 212
6033000107	ARM	139
6049000470	RANGE SHIFTER ASSY - REAR	399
6069000179	RETAINER, BEARING	145
6086000227	BLOCK, MOUNTING	140
6086000228	BLOCK, MOUNTING	140
6086000229	BLOCK, MOUNTING	140
6099000155	CAP SCREW, SAFETY WIRE	27

From - 4160800015

To - 6099000155

# Manitowoc Cranes

Numerical Index		Appendix B
Part	Description	Page
6164000465	SECTION ASSEMBLY - BOOM BASE	3
6164000466	BOOM BASE SECTION	5
6164000557	BOOM NOSE/FLY SECTION	3
6176000076	DISC, BRAKE	31
6176000174	BOX, CYLINDER	9
6176000175	BOX, CYLINDER	3
6176000204	BOX, HEATER MOUNTING	231
6176000216	BOX ASSEMBLY - SWING	27
6180000105	BRACE, TUBE	21
6184000111	BRACKET, REAR LIGHT	435
6184000196	BRACKET	125
6184000225	BRACKET, MOUNTING	341
6184000269	BRACKET	33
6184000341	BRACKET	125
6184000382	BRACKET	140
6184000439	BRACKET	143
6184000457	MOUNTING BRACKET	330
6199000631	BUSHING	7
6200059203	BUSHING	58
6200080808	BUSHING	160, 196
6200080814	BUSHING	58
6200121008	BUSHING	125
6200320424	TUBE	331
6205200833	BUSHING	21
6207080808	BUSHING	21
6207180821	BUSHING	7
6207200806	BUSHING	5
6208120818	BUSHING	17
6208120851	BUSHING	17
6246000287	CABLE, BATTERY	332
6246000354	CABLE, BATTERY	330
6246000391	CABLE ASSEMBLY	21
6250000010	PLANET CAGE AND SHAFT	31
6258000005	COVER	299
6258000048	CAP, DUST	359, 373
6258000067	CAP, END	299

From - 6164000465

To - 6258000067

# Manitowoc Cranes

Numerical Index		Appendix B
Part	Description	Page
6258000098	COVER	299
6258000123	CAP, END	5, 277
6258000124	CAP, END	255, 277
6258000253	COVER, GEAR HOUSING	31
6258000257	BRAKE COVER ASSEMBLY	28
6258000258	COVER WELD, BRAKE	37
6258000277	CAP, END	27
6274000019	CASE	45
6274000021	CASE	43
6278000007	CASTING, STEP ACCESS	440
6286000004	CHAIN - USE 9286100001	299
6290000181	U-CHANNEL	37
6290000202	CHANNEL	231
6294000879	WIRING DIAGRAM	332
6300000043	CLAMP, HOSE	299
6300000084	CLAMP	7
6300000108	CLAMP	143
6364000389	COUPLING	146
6364000390	COUPLING	31
6372000483	HEAD, CYLINDER	275, 297, 303
6372000485	CYLINDER ASSEMBLY - 3" STEER	255, 277
6372000500	CYLINDER ASSEMBLY -	299
6372000566	HEAD	295
6372000567	HEAD	13
6372000585	CYLINDER ASSEMBLY - 5"	277
6372000593	CYLINDER ASSEMBLY - 5"	3
6372000824	CYLINDER ASSEMBLY - 4"	3
6372000826	HEAD	11
6372000833	CYLINDER, BRAKE	145
6372001365	BARREL	13
6372001375	BARREL	295
6372001395	BARREL	11
6372001434	BARREL	275, 297
6372001461	BARREL	303
6372001514	PLATE, HEAD	11
6372001650	CYLINDER ASSEMBLY	299

From - 6258000098

To - 6372001650

# Manitowoc Cranes

Numerical Index		Appendix B
Part	Description	Page
6372001651	BARREL	305
6372002046	HEAD	305
6392000042	WELDMENT, CAB DOOR	163, 199
6400000033	DRUM, HOSE REEL	125
6400000052	DRUM, CABLE	146
6400000053	DRUM, END	146
6400000054	DRUM, END	146
6406000066	ELBOW	445
6406000068	ELBOW, 45 DEGREE MODIFIED	445
6418000023	EXTENSION, MUFFLER	332
6431000045	FENDER ASSY, LEFT HAND	439
6431000047	FENDER ASSY, RIGHT HAND	439
6431000049	FENDER ASSY, LEFT HAND	439
6431000051	FENDER ASSY, RIGHT HAND	439
6443000034	FITTING, O-RING	153
6450000130	FLANGE	43
6450000132	FLANGE, MOUNTING	45
6486000050	INDICATOR, ELEVATION -	19
6486000205	DIPSTICK ASSEMBLY	371
6486000357	INDICATOR, BOOM ELEVATION	19
6486000674	DIPSTICK	32
6486000675	DIPSTICK	32
6486000677	DIPSTICK	32
6490000039	GEAR, INTERNAL	31
6490000040	PLANET GEAR AND PINION	31
6490000041	PINION, DRIVE	27
6511000036	HANDLE, DOOR	345
6531000002	HOLDER, SPRING	140
6542001201	HOSE ASSY, USE AS REQUIRED	51
6542001801	HOSE ASSY, USE AS REQUIRED	249
6542008401	HOSE ASSY, USE AS REQUIRED	249
6542104005	HOSE ASSY, USE AS REQUIRED	421
6542104204	HOSE ASSY, USE AS REQUIRED	421
6542106405	HOSE ASSY, USE AS REQUIRED	421
6542303606	HOSE ASSY, USE AS REQUIRED	421
6542304806	HOSE ASSY, USE AS REQUIRED	421

From - 6372001651

To - 6542304806

# Manitowoc Cranes

Numerical Index		Appendix B
Part	Description	Page
6542503007	HOSE ASSY, USE AS REQUIRED	422
6542503609	HOSE ASSY, USE AS REQUIRED	422
6542504807	HOSE ASSY, USE AS REQUIRED	421
6542504809	HOSE ASSY, USE AS REQUIRED	422
6542506007	HOSE ASSY, USE AS REQUIRED	421
6542509607	HOSE ASSY, USE AS REQUIRED	421
6543000260	HOSE, RADIATOR	332
6543000287	HOSE, METAL	331
6543000362	HOSE - USE 9543100004	331
6547000065	HOUSING ASSY, CENTER	146
6547000067	HOUSING, RIGHT HAND END	146
6547000068	HOUSING, LEFT HAND END	146
6547000069	HOUSING, BRAKE	145
6547000086	HOUSING, GEAR	31
6548000037	HUB, DRIVE	139
6548000053	END, RH DRUM	146
6570080600	KEY	359, 373
6570081200	KEY STOCK	160, 196
6570081833	PIN, HINGE	139
6570167200	KEY STOCK	5
6570200800	KEY STOCK	359, 373
6576000363	KIT, TURNSIGNAL	435
6581000177	LIGHT, RED	437
6581000178	LIGHT, AMBER	437
6585000055	HANDLE, LOCK	163, 199
6585000057	POSITIVE SWING LOCK	159, 195
6585000063	LOCK INSTALLATION - WINDOW	160, 196
6593000116	LEVER	173, 209, 253
6601000001	LINK, LOOP	299
6601000023	LINK, SWIVEL	39
6608000085	LUG	173, 209, 253
6608000234	LUG, LIFTING	32
6608000236	LUG, MOUNTING	440
6637000011	GASKET	159, 195
6637000017	WEATHERSTRIP	163, 199
6637002002	WEATHERSTRIP	163, 199

From - 6542503007

To - 6637002002

# Manitowoc Cranes

Numerical Index		Appendix B
Part	Description	Page
6637002004	CHANNEL, WEATHERSTRIP	159, 195
6637003023	WEATHERSTRIP	159, 195
6637006010	WINDOW, TRIM	163, 199
6637012001	GASKET, FINGER PULL	159, 163, 195, 199
6637013010	CHANNEL, FLEXIBLE	163, 199
6637013018	CHANNEL	159, 195
6637014010	WEATHERSTRIP - RIGHT SIDE	163, 199
6637014018	WEATHERSTRIP	159, 195
6637015010	SPACER, RUBBER	159, 163, 195, 199
6637021002	LOOM	435
6649000037	NIPPLE	32
6649000038	NIPPLE	231
6650012085	PIPE	39
6650012245	PIPE	39
6650012325	PIPE	39
6650012405	PIPE	39
6650012645	PIPE	39
6650032085	PIPE	40
6650032165	PIPE	40
6650032485	PIPE	40
6650032565	PIPE	40
6650040090	NIPPLE, PIPE	371
6650040160	NIPPLE, 1/2"	32
6650040640	PIPE	32
6650040720	NIPPLE	32
6650041040	NIPPLE	32
6650060140	NIPPLE	307
6650060241	NIPPLE, PIPE	331
6650060280	NIPPLE	307
6650060680	NIPPLE	307
6650120140	NIPPLE	445
6650120334	PIPE	371
6671000013	PAD, WEAR	5, 7
6671000052	PAD, WEAR	15
6671000077	PAD, SIDE WEAR	5, 7
6671000143	PAD, WEAR	300

From - 6637002004

To - 6671000143

# Manitowoc Cranes

Numerical Index		Appendix B
Part	Description	Page
6689000035	PIN, JIB CARRIER	25
6697000034	PIPE	359, 373
6701000080	PISTON, CYLINDER	275, 297, 303
6701000084	PISTON	11
6701000085	PISTON	13, 295
6701000097	PISTON, BRAKE	145
6701000138	PISTON, CYLINDER	305
6705000025	TRIANGLE	369
6705000105	PLATE, HEAD	275, 297, 303
6705000220	PLATE, HEAD	295
6705000221	PLATE, HEAD	13, 305
6705000711	PLATE, MOUNTING	19
6705001019	STRAP	369
6705001365	PLATE, MOUNTING	39
6705001431	PLATE, SPACER	21
6705001446	SHIM,	51
6705001507	PLATE, RELIEF VALVE MOUNTING	415
6705001760	PLATE, MOUNTING	125
6705001786	PLATE, WEDGE	27
6705001787	PLATE, STOP	28
6705001815	PLATE	160, 196
6705001821	PLATE	165, 201
6705001969	PLATE, PRESSURE	145
6705001994	PLATE, MOUNTING	125
6705002394	PLATE, SUPPORT	15
6705002395	FLATWASHER	15
6705002402	NAMEPLATE	33, 146
6705002456	PLATE	153
6705002466	PAD	21
6705002675	SHIM,	31
6705002759	PLATE	21
6705002946	PLATE, BACKING	146
6705003038	PLATE, MOUNTING	139
6705004098	PLATE, COVER	439, 440
6705004262	PLATE	5, 7
6705004268	SHIM (.0359")	143

From - 6689000035

To - 6705004268

# Manitowoc Cranes

Numerical Index		Appendix B
Part	Description	Page
6705004573	PLATE, LOAD CHART MOUNTING	160, 196
6705006545	PLATE 16 GA	299
6705007911	SHIM,	173, 209, 253
6714000017	RING, CENTER POST SLIP	39
6718000018	SHEAVE, HOSE	17
6718000076	SHEAVE	23
6718000092	SHEAVE WHEEL ASSEMBLY	21
6718000116	HOSE SHEAVE AND REAR BOOM	3
6753000016	RING, LOCK	275, 297, 303
6753000017	RING, LOCK	11
6753000018	RING, LOCK	13, 295, 305
6753000021	RING, RETAINING	275, 297, 303
6753000022	RING, RETAINING	11
6753000036	RING, RETAINING	295, 305
6753000101	COVER	39
6753000145	RING, BACK-UP	13, 305
6753000147	RING, BACK-UP	295
6753000204	RING, BACK-UP	275, 297, 303
6753000217	RING, MOUNTING	371
6753000220	RING, BACK-UP	11
6753000403	RING, RETAINING	13
6755644507	CORD, O-RING	31
6768000175	ROD	303
6768000224	SPACER, ROD	13
6768000226	SPACER, ROD	305
6768000322	ROD, CYL	11
6794000135	GASKET	409
6794000136	GASKET	409
6794000248	GASKET	359, 373
6794000262	GASKET	145
6794000263	GASKET, MOTOR	146
6794000266	RETAINER, SEAL	32
6810000176	ROD, CYLINDER	13
6810000181	SHAFT	9
6810000318	SHAFT, DRIVE	139
6810000576	SHAFT	255, 277

From - 6705004573

To - 6810000576



# Manitowoc Cranes

Numerical Index		Appendix B
Part	Description	Page
6810000580	SHAFT	277
6810000624	SHAFT, HEADED	5
6810000667	SHAFT	7
6810000759	SHAFT WELD, CYL	295
6810000761	SHAFT	277
6810000768	SHAFT	305
6810000770	SHAFT, HEADED	299
6810000772	SHAFT	299
6810000849	SHAFT	157
6810000897	SHAFT ASSEMBLY	275, 297
6810000969	SHAFT	51
6810000995	SHAFT, TAPPED	5
6810000996	SHAFT, DOUBLE TAPPED	5
6810001040	SHAFT, MAIN	145
6810001043	SHAFT, INPUT	145
6810001044	PINION AND SHAFT	31
6810001045	SHAFT, PLANET	31
6810001050	SHAFT	17
6810001090	SHAFT	255, 277
6810001205	SHAFT	440
6814000024	LOOP, HOSE RETAINER	140
6814000034	GUARD	125
6814000048	GUARD, ROD	125
6814000076	PROTECTOR, WIRE	435
6814000097	SHIELD	231
6814000110	SHEATH, HOSE	300
6830000010	SPOOL	45
6830000014	SPOOL	43
6842000191	GUSSET	21
6842000406	GUSSET	21
6850000090	STRAP, TANK	231
6864000066	STUD	125
6865142271	ROD, ADJUSTING	330
6865161030	STUD	17
6869000021	SUPPORT WELD, MOUNT - MOTOR	329
6869000119	CYLINDER SUPPORT INSTALLATION	3

From - 6810000580

To - 6869000119

# Manitowoc Cranes

Numerical Index		Appendix B
Part	Description	Page
6869000120	SKID, CYL HEAD	11, 15
6869000123	SUPPORT, MOTOR	31
6869000141	SUPPORT	139
6869000288	LADDER	440
6910000083	TUBE, SUCTION	371
6910000139	SPACER	139
6910000427	TUBE	331
6910000521	SPACER	303
6910000552	SPACER	295
6910000838	SPACER	11
6910000948	SPACER	145
6910000949	SPACER	31
6910000951	SPACER	31
6910001092	SPACER	255, 277
6910001245	TUBE	331
6910001261	SPACER	145
6910001704	TUBE	153
6910001706	TUBE	153
6910001714	TUBE	153
6910001715	TUBE	153
6910001717	TUBE	153
6911040961	TUBE USE 9910100014	33
6911041121	TUBING - USE 9910100014	27
6911041201	TUBING, COPPER	122
6911041761	TUBE - USE 9910100014	27
6911067201	TUBE	231
6911081441	TUBING, COPPER	332
6911081920	TUBE	362, 426
6911109760	TUBING, COPPER	362, 426
6926000245	VALVE BANK ASSEMBLY - FOUR	57
6926000403	VALVE BANK ASSEMBLY -	57
6926000512	VALVE BANK ASSEMBLY - TWO	57
6949000147	WASHER, SPECIAL	329
6949000155	WASHER,	277
6949000185	FLATWASHER	27
6958000005	WEDGE, SPECIAL	146

From - 6869000120

To - 6958000005

# Manitowoc Cranes

Numerical Index		Appendix B
Part	Description	Page
6970000101	WHEEL	139
6970000146	FIFTH WHEEL	277
6974000124	HOIST ASSEMBLY - HO15 - 16	143
6974000182	TUBING INSTALLATION -	146
6978000257	WIRE, SAFETY	28
7013000028	ADAPTER	445
7013000041	ADAPTER	125
7013000071	ADAPTER, RUBBER	331
7013000096	ADAPTER, FEMALE	422
7013000103	ADAPTER, PUMP DRIVE	330
7013000112	ADAPTER, MUFFLER	330
7013000125	ADAPTER	422
7013000183	ADAPTER	121
7025000010	HORN, AIR	249
7025000026	SYSTEM, ALARM	440
7033000041	ARM, WIPER - 20"	183, 219
7033000081	ARM, CRANK	183, 219
7049000108	AXLE ASSEMBLY - DRIVE	255, 257
7049000129	AXLE ASSEMBLY - NO-SPIN	277, 279
7056000004	BAND, AIR CLEANER MOUNTING	329
7064000014	BATTERY	332
7069000050	BEARING, BALL	139
7069000078	CONE, BEARING	318
7069000100	BEARING	411
7069000105	BEARING	19
7069000107	BEARING	32
7069000108	BEARING	31
7069000109	BEARING, PLANET CAGE AND SHAFT	31
7069000111	BEARING, PLANET SHAFT,	32
7069000137	BEARING, NEEDLE	23
7069000138	RACE, BEARING	23
7069000173	BEARING	125
7069000178	BEARING, BALL	145
7069000181	BEARING	32
7069000194	BEARING, BALL	146
7069000220	RACE, INNER	146

From - 6970000101

To - 7069000220

# Manitowoc Cranes

Numerical Index		Appendix B
Part	Description	Page
7069000253	BEARING	27
7072000001	BELLOWS	58
7083000003	BLADE	183, 219
7086000085	BLOCK, TERMINAL	409
7099000076	BOLT ASSEMBLY	61
7099000086	CAP SCREW,	83
7099000088	BOLT ASSEMBLY	95
7101100410	Slot RMS #10-32UNFx0.5 G1	399
7101100411	SCREW, MACHINE	175, 211
7101180550	BOLT, HEX	187, 223
7105140650	CAP SCREW,	183, 219
7105180850	CAP SCREW,	255
7105181450	CAP SCREW,	275, 297, 303
7105181650	CAP SCREW,	277
7105201650	CAP SCREW,	11
7105203250	CAP SCREW,	329
7105221850	CAP SCREW,	13, 39, 295, 305
7105223050	3/4" - 16 NF X 3 3/4" -	39
7110140405	CAP SCREW,	140
7110160805	CAP SCREW,	145
7110171405	CAP SCREW,	121, 153
7110172605	SHCS 7/16-14UNCX3.25	153
7110180805	CAP SCREW,	146
7110181005	CAP SCREW,	145
7110181605	CAP SCREW,	31
7111080510	SCREW, MACHINE	399
7111100310	SCREW, MACHINE	359, 373
7111100610	SCREW, MACHINE	409
7111100810	SCREW, MACHINE	409
7111140310	SCREW, MACHINE	19
7111140607	SCREW, MACHINE	15
7111140610	SCREW, MACHINE	332
7111140650	CAP SCREW,	39
7111140807	SCREW, MACHINE	193
7111141207	SCREW, MACHINE	139
7111150750	BOLT HEX HEAD	364, 428

From - 7069000253

To - 7111150750

# Manitowoc Cranes

Numerical Index		Appendix B
Part	Description	Page
7111150850	CAP SCREW, HEX HEAD	187, 223
7111151850	OBSOLETE BY 7112151850	229
7111160850	CAP SCREW,	39, 49
7111204650	OBSOLETE BY 7112204650	39
7112150750	BOLT, HEX	160, 196
7112160650	REPLACED BY 7115160650	399
7112180850	CAP SCREW,	5
7112262050	BOLT, HEX	5
7115140350	CAP SCREW,	159, 195
7115140550	CAP SCREW,	15, 19
7115140650	CAP SCREW,	31, 231, 300
7115140850	CAP SCREW,	249
7115141050	CAP SCREW,	411
7115141650	CAP SCREW,	387
7115142050	CAP SCREW,	375
7115142450	CAP SCREW,	9
7115150750	CAP SCREW,	31
7115150850	CAP SCREW,	341, 375, 439, 440
7115151050	CAP SCREW,	299
7115151250	CAP SCREW,	300
7115151650	CAP SCREW,	160, 196, 345
7115160650	CAP SCREW,	157, 173, 175, 209, 211, 253, 419
7115160750	CAP SCREW,	125
7115160805	CAP SCREW,	39
7115160850	CAP SCREW,	27, 125, 299, 329, 338, 341, 345, 387
7115161050	CAP SCREW,	27, 145, 330, 375
7115161250	CAP SCREW,	147, 165, 201
7115161450	CAP SCREW,	345, 440
7115161650	CAP SCREW,	21, 387, 415
7115161850	CAP SCREW,	51
7115162050	CAP SCREW,	300
7115162250	CAP SCREW,	411
7115162450	CAP SCREW,	375
7115163050	CAP SCREW,	57

From - 7111150850

To - 7115163050

# Manitowoc Cranes

Numerical Index		Appendix B
Part	Description	Page
7115165250	CAP SCREW, 3/8"-16UNC X 6.5	21
7115170850	CAP SCREW,	439
7115180850	CAP SCREW, 1/2"-13 UNC X 1"	125, 369, 387
7115180950	CAP SCREW,	146
7115181050	CAP SCREW,	27, 255, 277, 337, 405
7115181250	CAP SCREW,	27, 146, 329
7115181450	CAP SCREW,	141
7115181650	CAP SCREW, 1/2"-13UNCX2"LONG	33
7115181850	CAP SCREW,	33
7115183650	CAP SCREW,	57
7115186850	BOLT, HEX	57
7115201450	CAP SCREW,	299
7115203650	CAP SCREW,	307
7115221450	CAP SCREW,	300, 307
7115221650	CAP SCREW,	143
7115223650	CAP SCREW,	329
7115242650	7/8" - 9 N.C. X 3 1/4"	143
7115262050	CAP SCREW,	7
7115264450	CAP SCREW,	5
7115267250	CAP SCREW,	255
7115267650	1" - 8 NC X 9 1/2" GRD 5	277
7115303250	CAP SCREW,	143
7118202850	CAP SCREW,	7
7118262250	CAP SCREW,	27
7172000006	BOOT, RUBBER CONTROL ROD	58
7184000106	BRACKET, RESERVOIR	375
7184000188	BRACKET, RESERVOIR	419
7199000198	BUSHING	275, 297
7199000399	BUSHING, BRASS	27
7242000008	BUTTON, PLUG	176, 212
7242000012	BUTTON, PLUG	166, 202
7242000015	PLUG	165, 201
7242000021	PLUG, 1" BUTTON	19
7246000225	CABLE, CONTROL	57
7246000289	CABLE, CONTROL	57
7246000290	CABLE, CONTROL	57

From - 7115165250

To - 7246000290

# Manitowoc Cranes

Numerical Index		Appendix B
Part	Description	Page
7258000049	CAP, FUEL-FILLER	359, 373
7258000281	COVER, MOTOR	28
7300000006	CLAMP, HOSE	140, 331
7300000011	CLAMP, CABLE	349
7300000018	CLAMP	331
7300000019	CLAMP	231
7300000020	CLAMP, 2 1/2" MAX HOSE	332, 445
7300000035	CLAMP, HOSE	332
7300000038	CLAMP, MUFFLER	331
7300000040	CLAMP, HOSE	331
7300000044	CLAMP, HOSE	331
7300000047	CLAMP, MUFFLER	329
7300000100	CLAMP, TUBING	229, 363, 427
7300000101	CLAMP, TUBING	141
7300000102	CLAMP, TUBING	363, 427
7300000119	CLAMP	153
7304000004	FILLER AND BREATHER	371
7308000001	YOKE	57, 157, 173, 209, 253
7308000014	YOKE	157
7308000042	YOKE	330
7308000047	YOKE ASSEMBLY	57
7316000010	CLUTCH	145
7345001509	SLIP-ON, FEMALE	437
7352000009	SENDER, TEMPERATURE	331
7352000016	UNIT, SENDING	331
7352000038	SENDER, OIL TEMPERATURE	331
7356000009	TORQUE CONVERTER ASSEMBLY	329
7364000022	JOINT, SWIVEL	125
7364000034	CONNECTOR, MALE	27, 32
7364000039	JOINT, ANGLE	139
7364000052	CONNECTOR	33
7364000198	CONNECTOR	39
7364000247	CONNECTOR, RELIEF-STRAIN	409
7364000285	SWIVEL ASSEMBLY	39
7364000286	SWIVEL ASSEMBLY -	39
7364000324	CONNECTOR, FEMALE	231

From - 7258000049

To - 7364000324

# Manitowoc Cranes

Numerical Index		Appendix B
Part	Description	Page
7364000399	CONNECTOR, MALE	332
7364000435	FITTING, BRASS TUBE	231
7372000303	CYLINDER ASSEMBLY - THROTTLE	330
7372000417	CYLINDER ASSEMBLY - 8 1/4"	51
7372000456	CYLINDER ASSEMBLY - AIR	399
7388000039	DISC, BRAKE	145
7388000046	DISC, BRAKE	145
7406000030	ELBOW	125
7406000040	ELBOW, MALE	122
7425000001	FAN, RUBBER BLADED AUTO	247
7437000017	FILTER ASSEMBLY - OIL	405
7437000038	FILTER ASSEMBLY - OIL	332
7440000000	FITTING, 1/8 STRAIGHT GREASE	5, 51, 173, 209, 253, 255, 277, 295
7440000300	FITTING, 65 DEGREE GREASE	23
7440000400	FITTING, 90 DEGREE GREASE	27, 32, 411
7440010000	FITTING, STRAIGHT GREASE	33
7440030000	FITTING, STRAIGHT GREASE	295
7443000002	FITTING, O-RING	121
7443000007	PILOT, TANK FITTING	371
7443000041	FITTING, REDUCER	330
7443000059	ADAPTER, SWIVEL	121, 153
7444000101	CAP, PIPE	349
7444000140	COUPLING	27, 32, 51
7444000344	COUPLING, STRAIGHT	421
7444000460	ELBOW, 90 DEGREE	32
7444000660	ELBOW, 90 DEGREE	307
7444002844	COUPLING	332
7444010010	PLUG, PIPE	31, 33, 330
7444010011	PLUG, PIPE	153
7444010170	ELBOW, 90 DEGREE STREET	27, 32, 331
7444020011	PLUG, PIPE	331
7444020016	PLUG, PIPE	121, 153, 457
7444020296	ELBOW, 45 DEGREE	153
7444030016	PLUG, PIPE 3/8" N.P.T.	153
7444030031	PLUG, PIPE	146

From - 7364000399

To - 7444030031



# Manitowoc Cranes

Numerical Index		Appendix B
Part	Description	Page
7444030154	REDUCER	362, 426
7444040021	PLUG, PIPE	31
7444040031	PLUG, PIPE	375
7444040036	PLUG, PIPE 1/2"	363, 427, 449
7444040150	BUSHING, HEX REDUCING	32
7444040256	BUSHING, REDUCER	131, 362, 426
7444060036	PLUG, PIPE	457
7444060456	BUSHING, REDUCER	457
7444060670	FITTING, 90 DEGREE ELBOW	331
7444080021	PLUG, PIPE	371
7444080456	BUSHING, HEX REDUCING	122
7444121270	ELBOW, 90 DEGREE	371, 445
7444242470	ELBOW	330
7445020201	ADAPTER, STRAIGHT	51, 249, 363, 427
7445020202	ADAPTER, SWIVEL	362, 426
7445020204	ADAPTER, 90 DEGREE SWIVEL	249, 349, 362, 426
7445020212	TEE	249
7445020214	TEE, SWIVEL	362, 426
7445020401	ADAPTER, STRAIGHT SWIVEL	363, 364, 421, 427, 428
7445020402	ADAPTER, SWIVEL	421
7445020404	ADAPTER, 90 DEGREE SWIVEL	363, 427
7445040401	ADAPTER, STRAIGHT SWIVEL	362, 426
7445040403	ADAPTER, STRAIGHT	449
7445040404	ADAPTER, 90 DEGREE SWIVEL	121, 131, 361, 425
7445040405	ADAPTER, SWIVEL	363, 427
7445040409	ADAPTER, 45 DEGREE SWIVEL	131
7445040412	ADAPTER, SWIVEL	131, 362, 426
7445040413	ADAPTOR, SWIVEL	131
7445040414	ADAPTER, SWIVEL	362, 426
7445040441	SLEEVE	122
7445040442	NUT	122
7445040601	ADAPTER, STRAIGHT SWIVEL	362, 421, 426
7445040643	ADAPTER, STRAIGHT	122
7445060219	ADAPTER, STRAIGHT	153
7445060401	ADAPTER, STRAIGHT SWIVEL	362, 426, 449
7445060404	ADAPTER, SWIVEL	231, 361, 425

From - 7444030154

To - 7445060404

# Manitowoc Cranes

Numerical Index		Appendix B
Part	Description	Page
7445060408	ELBOW, 90 DEGREE	122, 421
7445060419	ADAPTER, STRAIGHT MALE	153
7445060420	ELBOW, 90 DEGREE	153
7445060433	TEE	153
7445060601	ADAPTER, SWIVEL	363, 427, 455
7445060602	ADAPTER, SWIVEL	362, 426
7445060603	ADAPTER, STRAIGHT	421
7445060604	ADAPTER, SWIVEL	331, 362, 426, 450, 455, 457
7445060605	ADAPTER, 90 DEGREE SWIVEL	449, 457
7445060607	ADAPTER, SWIVEL	458
7445060609	ELBOW, 45 DEGREE	131, 137, 449, 455
7445060612	ADAPTER, SWIVEL	449
7445060613	ADAPTER	455, 457
7445060637	TEE	153
7445060651	UNION, STRAIGHT	362, 426
7445060801	ADAPTER, STRAIGHT SWIVEL	362, 421, 426, 457
7445060804	ELBOW, 90 DEGREE	125, 421, 458
7445060889	ADAPTER, SWIVEL	333
7445080401	ADAPTER, STRAIGHT SWIVEL	363, 427
7445080404	SWIVEL ADAPTER UNION	363, 427
7445080417	ADAPTER, REDUCING	121
7445080450	BUSHING, REDUCER	458
7445080601	ADAPTER, STRAIGHT SWIVEL	137, 362, 426
7445080604	ADAPTER, SWIVEL	331, 362, 426, 457
7445080608	ADAPTER, SWIVEL	457
7445080611	SWIVEL ADAPTER, UNION - 90	449
7445080612	ADAPTER	457
7445080613	SWIVEL ADAPTER, UNION - 90	131, 457
7445080658	ELBOW	362, 426
7445080801	ADAPTER, STRAIGHT	122, 131, 135, 364, 421, 428, 457
7445080803	ADAPTER, STRAIGHT	421, 457
7445080804	ELBOW, 90 DEGREE	121, 332, 362, 421, 426, 457
7445080808	ADAPTER, SWIVEL	421, 449, 458
7445080809	ADAPTER, SWIVEL	122, 129, 131, 135, 421, 449, 457

From - 7445060408

To - 7445080809

# Manitowoc Cranes

Numerical Index		Appendix B
Part	Description	Page
7445080811	ADAPTER, 45 DEGREE SWIVEL	421
7445080812	ADAPTER, SWIVEL	362, 426, 449
7445080813	ADAPTER, 90 DEGREE SWIVEL	131, 362, 426
7445080849	NIPPLE	364, 428
7445080857	CONNECTOR	363, 427
7445100611	ADAPTER, SWIVEL	137
7445100803	ADAPTER, 90 DEGREE SWIVEL	332
7445100811	ADAPTER	129
7445100858	ELBOW, 90 DEGREE MALE	362, 426
7445101031	ELBOW	362, 426
7445101041	SLEEVE, TUBE	362, 426
7445101042	NUT	362, 426
7445120611	ADAPTER, SWIVEL	455
7445120804	ADAPTER, 90 DEGREE SWIVEL	450
7445120811	ADAPTER, 90 DEGREE SWIVEL	131, 135
7445121201	ADAPTER, SWIVEL	421, 449
7445121204	ELBOW, 90 DEGREE	422, 446, 450
7445121208	ADAPTER, 90 DEGREE SWIVEL	422
7445121209	ELBOW, 45 DEGREE MALE	445, 450
7445121211	ADAPTER, 45 DEGREE SWIVEL	121, 122, 421, 445
7445121609	ADAPTER, SWIVEL	457
7445141203	SWIVEL ADAPTER, STRAIGHT	449
7445141208	ADAPTER, SWIVEL	449
7445161201	ADAPTER, SWIVEL	450
7445161209	ADAPTER, 45 DEGREE SWIVEL	121
7445161250	BUSHING, REDUCER	121
7445161601	ADAPTER, STRAIGHT SWIVEL	422, 445
7445161604	ADAPTER, SWIVEL	422, 445, 457
7445161655	TEE	121
7445162001	ADAPTER, SWIVEL	121, 446
7445162004	ADAPTER, 90 DEGREE SWIVEL	445
7445202001	ADAPTER, SWIVEL	445
7445202004	ADAPTER, SWIVEL	445
7445202008	ADAPTER, 90 DEGREE SWIVEL	121
7445202009	SWIVEL ADAPTER	121
7445202099	ADAPTER, SWIVEL	445

From - 7445080811

To - 7445202099

# Manitowoc Cranes

Numerical Index		Appendix B
Part	Description	Page
7450000005	FITTING, PIPE	371
7450000006	FITTING, PIPE	371
7450000008	FITTING, PIPE	371
7450000016	FLANGE, SPLIT	445
7450000049	FITTING, DISCHARGE	362, 426
7486000124	GAUGE, OIL PRESSURE	165, 201
7486000266	INDICATOR, LOW PRESSURE	361, 425
7486000335	VOLTMETER	165, 201
7486000336	GAUGE, FUEL LEVEL	165, 201
7486000337	GAUGE, WATER TEMPERATURE	165, 201
7486000338	GAUGE, PRESSURE - AIR	175, 211
7486000365	GAUGE, OIL CONVERTER	165, 201
7486000499	HOURMETER	175, 211
7490000044	GEAR REDUCTION ASSEMBLY	146
7498000043	GLASS, CAB LEFT SIDE	159, 195
7498000045	GLASS	159, 195
7498000046	GLASS	163, 199
7498000047	GLASS, LEFT SLIDING WINDOW	163, 199
7498000048	GLASS	159, 195
7498000049	GLASS	159, 195
7498000050	GLASS, STATIONARY REAR	160, 196
7498000051	GLASS, REAR SLIDING	160, 196
7498000054	GLASS, SKYLIGHT TINTED	159, 195
7506000003	GROMMET, RUBBER	193, 443
7506000005	GROMMET	140, 229
7506000008	GROMMET	140
7506000009	GROMMET	247
7506000017	GROMMET	175, 211
7511000003	KNOB	58, 157, 173, 209, 253
7511000016	HANDLE, INSIDE RIGHT HAND	163, 199
7511000052	PULL, FINGER	159, 163, 195, 199
7515000014	HEATER ASSEMBLY - PROPANE	231, 233
7515000047	DRYER ASSEMBLY - AIR	375
7531000005	HOLDER, DOOR STRAP	193
7535000025	HOOD, AIR INLET	329
7542000501	HOSE ASSY, USE AS REQUIRED	361, 425

From - 7450000005

To - 7542000501

# Manitowoc Cranes

Numerical Index	Appendix B	
Part	Description	Page
7542000701	HOSE ASSY, USE AS REQUIRED	361, 425
7542000702	HOSE ASSY, USE AS REQUIRED	361, 425
7542001201	HOSE ASSY, USE AS REQUIRED	330
7542001202	HOSE ASSY, USE AS REQUIRED	361, 425
7542001203	HOSE ASSY, USE AS REQUIRED	363, 427
7542001302	HOSE ASSY, USE AS REQUIRED	361, 425
7542001403	HOSE ASSY, USE AS REQUIRED	363, 427
7542001503	HOSE, 1503 X 15" LG 1/2" M	362, 426
7542002401	HOSE ASSY, USE AS REQUIRED	349
7542003002	HOSE ASSY, USE AS REQUIRED	361, 425
7542003003	HOSE ASSY, USE AS REQUIRED	361, 425
7542003401	HOSE ASSY, USE AS REQUIRED	349
7542003603	HOSE ASSY, USE AS REQUIRED	364, 428
7542004603	HOSE ASSY, USE AS REQUIRED	363, 427
7542004803	HOSE ASSY, USE AS REQUIRED	361, 425, 449
7542006003	HOSE ASSY, USE AS REQUIRED	361, 363, 425, 427
7542006403	HOSE ASSY, USE AS REQUIRED	361, 425
7542006601	HOSE ASSY, USE AS REQUIRED	361, 425
7542007203	HOSE ASSY, USE AS REQUIRED	363, 427
7542008402	HOSE ASSY, USE AS REQUIRED	363, 427
7542009603	HOSE ASSY, USE AS REQUIRED	363, 427
7542011201	HOSE ASSY, USE AS REQUIRED	361, 425
7542015603	HOSE ASSY, USE AS REQUIRED	363, 427
7542101005	HOSE ASSY, USE AS REQUIRED	361, 425
7542101205	HOSE ASSY, USE AS REQUIRED	457
7542101405	HOSE ASSY, USE AS REQUIRED	361, 425
7542102805	HOSE ASSY, USE AS REQUIRED	361, 425
7542103205	HOSE ASSY, USE AS REQUIRED	332
7542104804	HOSE ASSY, USE AS REQUIRED	121
7542104805	HOSE ASSY, USE AS REQUIRED	449
7542106005	HOSE ASSY, USE AS REQUIRED	330
7542106405	HOSE ASSY, USE AS REQUIRED	361, 425
7542107005	HOSE ASSY, USE AS REQUIRED	364, 428, 457
7542112005	HOSE ASSY, USE AS REQUIRED	362, 426
7542210011	HOSE ASSY, USE AS REQUIRED	331
7542301206	HOSE ASSY, USE AS REQUIRED	361, 425

From - 7542000701

To - 7542301206

# Manitowoc Cranes

Numerical Index		Appendix B
Part	Description	Page
7542303606	HOSE ASSY, USE AS REQUIRED	361, 362, 425, 426
7542304806	HOSE ASSY, USE AS REQUIRED	122, 361, 425
7542309606	HOSE ASSY, USE AS REQUIRED	458
7542310806	HOSE ASSY, USE AS REQUIRED	330, 331
7542312006	HOSE ASSY, USE AS REQUIRED	121
7542506007	HOSE ASSY, USE AS REQUIRED	450
7542601810	HOSE ASSY, USE AS REQUIRED	445
7542614410	HOSE ASSY, USE AS REQUIRED	445
7542615610	HOSE ASSY, USE AS REQUIRED	445
7543000053	HOSE ASSY, USE AS REQUIRED	27
7543000077	HOSE, RADIATOR	332
7543000078	HOSE, RADIATOR	331
7543000303	HOSE ASSY, USE AS REQUIRED	361, 425
7543000306	HOSE ASSY, USE AS REQUIRED	445
7544801190	HOSE ASSY, USE AS REQUIRED	445
7544801790	HOSE ASSY, USE AS REQUIRED	445
7544803490	HOSE ASSY, USE AS REQUIRED	445
7545100920	HOSE ASSY, USE AS REQUIRED	131
7545101120	HOSE ASSY, USE AS REQUIRED	231
7545101820	HOSE ASSY, USE AS REQUIRED	121, 131
7545102420	HOSE ASSY, USE AS REQUIRED	131
7545103620	HOSE ASSY, USE AS REQUIRED	121
7545201020	HOSE ASSY, 3/8" X 10"	131
7545201220	HOSE ASSY, USE AS REQUIRED	455, 457
7545203620	HOSE ASSY, USE AS REQUIRED	457
7545204820	HOSE ASSY, USE AS REQUIRED	455
7545206020	HOSE ASSY, USE AS REQUIRED	449
7545207220	HOSE ASSY, USE AS REQUIRED	457
7545209620	HOSE ASSY, USE AS REQUIRED	455
7545210820	HOSE ASSY, USE AS REQUIRED	137
7545218020	HOSE ASSEMBLY 3/8"	449
7545219220	HOSE ASSEMBLY 3/8"	449
7545228820	HOSE ASSY, USE AS REQUIRED	137
7545232420	HOSE ASSY, USE AS REQUIRED	137
7545302420	HOSE ASSY, 1/2" X 24"	131, 457
7545303620	HOSE ASSY, USE AS REQUIRED	131

From - 7542303606

To - 7545303620

# Manitowoc Cranes

Numerical Index		Appendix B
Part	Description	Page
7545304820	HOSE ASSY, 1/2" X 48"	131, 457
7545307220	HOSE ASSY, USE AS REQUIRED	458
7545308420	HOSE ASSY, USE AS REQUIRED	129, 457
7545309620	HOSE ASSY, USE AS REQUIRED	129
7545310820	HOSE ASSY, USE AS REQUIRED	135, 449
7545312020	HOSE ASSY, 1/2" X 120"	449
7545501280	HOSE ASSY, USE AS REQUIRED	449
7545502420	HOSE ASSY, USE AS REQUIRED	122
7545503620	HOSE ASSY, USE AS REQUIRED	449
7545504280	HOSE ASSY, USE AS REQUIRED	121
7545506020	HOSE ASSY, USE AS REQUIRED	445
7545506080	HOSE ASSY, USE AS REQUIRED	121, 449
7545606080	HOSE ASSY, USE AS REQUIRED	445
7545608420	HOSE ASSY, USE AS REQUIRED	457
7545608480	HOSE ASSY, USE AS REQUIRED	445
7545714430	HOSE ASSY, USE AS REQUIRED	121
7569000012	KEY	145
7576000010	TANK UNIT INSTALLATION	359, 373
7576000017	KIT, ADAPTER	183, 219
7576000085	KIT, 12 VOLT LIGHTING	176, 212
7576000418	MOTOR, WIPER (12VOLT)	183, 219
7581000003	LIGHT, PILOT	175, 211
7581000004	BULB	175, 211
7581000010	LIGHT, FOG/DRIVE	435
7581000011	LIGHT, AMBER	435
7581000012	LIGHT, RED TURNSIGNAL	435
7581000013	LIGHT, BACK-UP	435
7581000015	LIGHT, DOME	193
7581000052	BULB	176, 212
7581000061	LIGHT, WORK	193
7581000115	LIGHT, GREEN	165, 201
7581000116	LIGHT, RED	443
7581000117	LIGHT, DASH PANEL	175, 211
7581000165	BULB, 12 VOLT	166, 202, 443
7581000166	RED	443
7581000168	LIGHT, INDICATOR	166, 202

From - 7545304820

To - 7581000168

# Manitowoc Cranes

Numerical Index		Appendix B
Part	Description	Page
7585000002	FASTENER, HOOD	440
7585000003	BRACKET, HOOD FASTENER	440
7585000004	SASH LOCK	159, 195
7585000019	LOCK, SLIDING GLASS	191, 227
7585000027	LATCH, LEFT HAND CAB	345
7585000028	LATCH, RIGHT HAND CAB	345
7593000018	LEVER, BRAKE	229
7632000033	MOTOR ASSEMBLY - HYDRAULIC	146
7632000041	MOTOR ASSEMBLY - ORBIT	27
7638000024	MOUNT, CENTER BONDED	329
7638000025	MOUNT, CENTER BONDED	307, 329
7642000006	MUFFLER	329
7649000004	NIPPLE, HOSE	331
7649000026	NIPPLE, HEX	363, 427
7649000031	NIPPLE, HOSE	330
7659000047	LOCKNUT	409
7659000084	NUT	332
7659000215	LOCKNUT	275, 297, 303
7659000216	NUT, HEX	305
7660060000	NUT, HEX	175, 176, 211, 212
7660100030	NUT	175, 211
7660121100	NUT, HEX	332
7660140000	NUT, HEX	9, 15, 125, 141, 193, 231, 249, 332, 375, 411
7660140008	NUT, HEX	31
7660140030	NUT, HEX	330
7660150000	NUT, HEX	47, 160, 196, 229, 300, 341, 375, 439, 440
7660150030	NUT, HEX	157
7660150200	NUT, JAM	399
7660151600	LOCKNUT, HEX	300
7660160000	NUT, HEX	21, 28, 49, 51, 125, 143, 300, 329, 341, 345, 375, 387, 419, 440
7660160030	NUT, 3/8" - 24 N.F. HEX	57, 157, 173, 209, 253
7660160200	NUT, HEX JAM	125

From - 7585000002

To - 7660160200



# Manitowoc Cranes

Numerical Index		Appendix B
Part	Description	Page
7660161600	LOCKNUT, HEX	21, 300
7660162100	NUT, WING	17
7660170000	NUT, HEX	364, 428, 439, 440
7660180000	NUT, 1/2" - 13 N.C. HEX HEAD	57, 387
7660180200	NUT, HEX	58, 125
7660181703	LOCKNUT	33
7660200038	NUT, HEX	329
7660200230	NUT, HEX JAM	58
7660201600	LOCKNUT, HEX	307
7660220030	NUT, HEX	39, 165, 201
7660220200	NUT, HEX JAM	300
7660221600	LOCKNUT, HEX	329
7660260018	NUT, HEX	255
7660260200	NUT, HEX JAM	5, 7
7660261318	NUT, HEX	277
7660261600	LOCKNUT	5
7660300008	NUT, 1 1/4" 7 N.C. HEX	143
7660340030	NUT, HEX	11
7660341630	LOCKNUT	13, 295
7683000007	PEDAL ASSEMBLY	160, 196
7689000036	PIN, CLIP	25
7689000053	PIN, CLIP	17, 21
7689000074	PIN, SNAP LOCK	21
7689000096	PIN, W/LANYARD	21
7690001210	PIN, COTTER	411
7690001610	PIN, COTTER	330
7690051210	PIN, COTTER	157, 173, 209, 253, 330, 411
7690051245	PIN, ROLL	157
7690051610	PIN, COTTER	57, 399
7690141200	PIN, CLEVIS	330, 411
7690141445	PIN, ROLL	32
7690141600	PIN, CLEVIS	413
7690142045	PIN, ROLL	173, 209, 253
7690151600	PIN, CLEVIS	157
7690152000	PIN, CLEVIS	411
7690154000	PIN, CLEVIS	157

From - 7660161600

To - 7690154000

# Manitowoc Cranes

Numerical Index		Appendix B
Part	Description	Page
7690161800	PIN, CLEVIS	157
7690162000	PIN, 3/8 DIA. X 1 1/4" CLEVIS	57, 173, 209, 253, 399
7690162400	PIN, CLEVIS	57
7690182200	PIN, CLEVIS	57
7690182400	PIN, CLEVIS	57
7709000029	O-RING PLUG #12	122
7709000031	O-RING PLUG #6	421
7709000035	PLUG, DOT	166, 176, 202, 212
7709000051	PLUG	58
7709000058	PLUG, PLASTIC	145
7722000035	PUMP ASSEMBLY - STEER	330
7726000131	COOLER, HYDRAULIC OIL	341
7734000030	REDUCER, HUMP	331
7750000005	SOLENOID, STARTER	332
7750000019	RELAY	307
7753000060	RING, RETAINING	139
7753000113	RING, GT	275, 297, 303
7753000114	RING, GT	11
7753000115	RING, GT	13, 295
7753000117	RING, WEAR	275, 297, 303
7753000118	RING, WEAR	11
7753000119	RING, GT WEAR	13, 295, 305
7753000128	RING ASSEMBLY - SLIP	39
7753000148	RING, WEAR	13, 305
7753000150	RING, WEAR	295
7753000156	RING, SNAP	23
7753000171	RING, SNAP	146
7753000175	RING, WEAR	275, 297, 303
7753000218	RING, WEAR	11
7753000223	RING, SNAP	145
7753000224	RING, SNAP	146
7753000225	RING, SNAP	145
7753000230	RING, INTERNAL RETAINING	31
7753000353	RING, SIRVON	43
7753000357	RING, SIRVON	45
7753000358	RING, SNAP	45

From - 7690161800

To - 7753000358

# Manitowoc Cranes

Numerical Index		Appendix B
Part	Description	Page
7753000362	RING, SNAP	43
7753000440	RING, GT	305
7753001454	RING, BACK-UP	43
7754000066	O-RING	409
7754000135	O-RING, LOW TEMPERATURE	13, 295, 305
7755009000	O-RING	393
7755010000	O-RING	55, 62, 73, 79, 97, 98, 109, 113, 117, 119, 133
7755011609	RING, BACK-UP	61
7755013000	O-RING	63, 77, 81, 417
7755014000	O-RING	62, 63, 73, 77, 79, 81, 97, 98, 109, 113, 117, 119
7755015002	O-RING	389, 390, 393, 394
7755022000	O-RING	275, 297, 303
7755110000	O-RING	55, 133, 311, 417
7755110609	RING, BACK-UP	83, 95, 417
7755111000	O-RING	55, 133
7755112000	O-RING	317
7755113000	O-RING	55, 133, 335
7755114000	O-RING	55, 133
7755115000	O-RING	55, 61, 67, 133, 145
7755117000	O-RING	55, 133, 155, 318, 417
7755117609	RING, BACK-UP	155
7755118000	O-RING	62, 71, 75
7755120000	O-RING	413
7755120609	RING, BACK-UP	413
7755125000	O-RING	155
7755125609	RING, BACK-UP	155
7755152101	RING, QUAD	45
7755152400	RING, QUAD	45
7755154000	O-RING	145
7755210000	CLAMP, O-RING	189, 225
7755211000	O-RING	312
7755212000	O-RING	83, 84, 91, 95, 96, 97, 98, 105, 107, 111, 187, 223
7755214000	O-RING	413

From - 7753000362

To - 7755214000

# Manitowoc Cranes

Numerical Index		Appendix B
Part	Description	Page
7755214609	RING, BACK-UP	413
7755216000	O-RING	84, 91, 96, 97, 98, 105, 107, 111, 312, 335
7755220000	O-RING	155, 187, 223, 311, 317, 336
7755221000	O-RING	187, 223
7755222000	O-RING	121, 153
7755228000	O-RING	189, 225
7755229000	O-RING	338
7755242000	O-RING	318
7755246000	O-RING	146, 318
7755247000	O-RING, RETURN FILTER	31
7755253000	O-RING	336
7755259000	O-RING	145
7755260000	O-RING	337
7755265400	RING, QUAD	43
7755269000	O-RING	265
7755275000	O-RING	145
7755278000	O-RING	337
7755325000	O-RING	11, 13, 295, 305
7755325609	RING, BACK-UP	11, 13, 295, 305
7755327000	O-RING	319
7755328000	O-RING	318
7755334000	O-RING	275, 297, 303
7755334609	RING, BACK-UP	275, 297, 303
7755340000	O-RING	45
7755342000	O-RING	11
7755342609	RING, BACK-UP	11
7755347002	O-RING	145
7755358000	O-RING	32
7755425609	RING, BACK-UP	13, 295, 305
7755427002	O-RING	145
7755444000	O-RING	43
7755901000	O-RING	61
7755904002	O-RING	449
7755906000	O-RING	121
7755906002	O-RING	122, 421

From - 7755214609

To - 7755906002

# Manitowoc Cranes

Numerical Index		Appendix B
Part	Description	Page
7755908000	O-RING	394
7755908002	O-RING	390, 393, 421, 422, 457
7755910000	O-RING	137
7755910002	O-RING	129, 332
7755912000	O-RING	455
7755912002	O-RING	121, 122, 131, 135, 422, 445
7755916000	O-RING	422, 445
7785140300	SET SCREW	139
7785140400	SET SCREW	440
7785140500	SET SCREW	140
7785140800	SET SCREW	139
7785160590	SET SCREW	7
7785160872	SET SCREW	45
7785161201	SET SCREW	45
7785181601	SET SCREW	43
7785181672	SET SCREW	43
7785185223	SET SCREW	125
7790040404	SCREW, SELF-TAPPING	33
7790040504	SCREW,	146
7790080682	SCREW, SELF-TAPPING	28, 37
7790080881	SCREW, SELF-TAPPING	193
7790100653	SCREW, SELF-TAPPING	231, 363, 427, 440
7790100815	SCREW, SELF-TAPPING	345
7790100826	SCREW, SELF-TAPPING	163, 199, 345
7790100853	SCREW, SELF-TAPPING	359, 373
7790100871	SCREW, SELF-TAPPING	163, 165, 173, 199, 201, 209, 253
7790100872	SCREW, PAN HEAD TAPPING	193, 409
7790100873	SCREW, SELF-TAPPING	40
7790101271	SCREW, SELF-TAPPING	437
7790140653	SCREW, SELF-TAPPING	231, 277, 307
7790140662	SCREW, SELF-TAPPING	157
7790140853	SCREW, SELF-TAPPING	160, 196, 249, 440
7790141653	SCREW, SELF-TAPPING	440
7790160853	SCREW, SELF-TAPPING	299
7790161253	SCREW,	440

From - 7755908000

To - 7790161253

# Manitowoc Cranes

Numerical Index		Appendix B
Part	Description	Page
7790161453	SCREW, SELF-TAPPING	345
7791101060	SCREW, PAN HEAD SELF-DRILL	437
7791141250	SCREW, SELF-DRILLING	140, 160, 166, 175, 196, 202, 211, 341
7794000002	SEAL, "U" CUP ROD	13, 305
7794000006	SEAL, ROD	275, 297, 303
7794000007	RING, WIPER	275, 297, 303
7794000010	SEAL, ROD	295
7794000015	RING, WIPER	295
7794000022	SEAL, SCRAPER	13, 305
7794000100	CUP, BEARING	318
7794000129	SEAL	40
7794000164	GASKET, LIQUID	231
7794000241	GASKET	362, 426
7794000256	SEAL, ROD	11
7794000264	SEAL,OIL	146
7794000265	SEAL,OIL	146
7794000267	SEAL, PINION AND SHAFT	31
7794000268	SEAL	31
7794000269	SEAL	32
7794000270	SEAL	32
7794000277	RING, WIPER	11
7794000461	SEAL, CROWN	45
7798000030	SEAT	160, 196
7810000866	KIT, PIVOT SHAFT	183, 219
7810001118	SHAFT, FLEXIBLE - 14'	139
7810001119	SHAFT, FLEXIBLE - 16'	139
7810001120	SHAFT, FLEXIBLE - 18'	139
7810001122	SHAFT, FLEXIBLE	139
7810001151	SHAFT, FLEXIBLE	139
7814000116	GUARD, PINION	27
7834000010	SPRING	125
7834000011	SPRING	39
7834000012	SPRING	173, 209, 253
7834000015	SPRING, GOVERNOR	139
7834000037	SPRING	411

From - 7790161453

To - 7834000037

# Manitowoc Cranes

Numerical Index		Appendix B
Part	Description	Page
7834000075	SPRING, COMPRESSION	145
7850000032	STRAP	140
7850000046	STRAP, GROUND	332
7850000064	TIE, CABLE (NATURAL)	330
7866142140	STUD	141
7866162140	STUD	300
7869000066	SUPPORT, DOOR	345
7869000077	SUPPORT	159, 195, 345
7869000238	SEAT, SUSPENSION	160, 196
7872000003	BREAKER, 20 AMP CIRCUIT	166, 175, 202, 211
7872000007	SWITCH, HEADLAMP	165, 201
7872000014	SENDER, FUEL LEVEL	359, 373
7872000030	SWITCH, TOGGLE	175, 211
7872000049	FLASHER, TUNG-SOL	435
7872000059	SWITCH, PRESSURE	361, 425
7872000062	SWITCH, TOGGLE	165, 201
7872000065	BREAKER, 30 AMP CIRCUIT	165, 201
7872000066	SWITCH, PUSH BUTTON	175, 211
7872000101	SWITCH, 24 VOLT	443
7872000107	SWITCH, PRESSURE	331
7872000147	SWITCH, IGNITION	165, 201
7872000158	SWITCH, 24 VOLT	165, 201
7872000164	SWITCH, PUSH PULL	176, 212
7880000011	TANK, AIR	375
7880000013	RESERVOIR, AIR	419
7888000018	TEE	363, 427
7888000019	TEE	363, 427
7888000022	TEE	307
7888000031	TEE, SERVICE	458
7888000033	TEE, SERVICE	121, 153, 363, 427
7888000037	TEE, SERVICE	449
7888000045	TEE	445
7888000057	TEE, SERVICE	363, 364, 427, 428
7888000070	TEE, SERVICE	363, 427
7892000051	CONNECTOR, SETSCREW	47
7892000053	TERMINAL, BATTERY CABLE	332

From - 7834000075

To - 7892000053

# Manitowoc Cranes

Numerical Index		Appendix B
Part	Description	Page
7892000054	TERMINAL, BATTERY CABLE	332
7904000019	TRANSMISSION ASSEMBLY	307, 309
7904000023	TRANSMISSION ASSEMBLY	307
7910000116	SPACER	229
7910000117	SPACER	229
7926000014	VALVE-DRAIN COCK	332
7926000044	VALVE ASSEMBLY - CHECK	51, 131
7926000045	VALVE, CHECK	445
7926000139	VALVE ASSEMBLY - DOUBLE CHECK	160, 196
7926000154	VALVE,HOLDING 3/8 X 1/2 W/PILO	11, 13
7926000173	VALVE ASSEMBLY - OUTRIGGER SELEC	387
7926000198	VALVE ASSEMBLY	175, 177, 211, 213
7926000199	VALVE ASSY,PUSH PULL CONTROL	165, 201
7926000204	VALVE ASSEMBLY - STEERING	165, 201
7926000205	VALVE ASSEMBLY -	375
7926000207	VALVE ASSEMBLY - CHECK	361, 425
7926000208	VALVE ASSEMBLY - HORN	249
7926000209	VALVE, DRAIN	375
7926000210	VALVE, SAFETY	361, 425
7926000216	VALVE ASSEMBLY - CHECK	375
7926000219	VALVE ASSEMBLY - 4 STACK	387
7926000222	VALVE ASSEMBLY - 4-WAY SECTION	61
7926000223	VALVE ASSEMBLY - SECTION	61
7926000225	VALVE ASSEMBLY - SECTION	61
7926000227	VALVE SECTION - INLET	95
7926000228	VALVE ASSEMBLY - 4-WAY SECTION	83
7926000229	VALVE ASSEMBLY - OUTLET	83, 95
7926000231	VALVE ASSEMBLY - 4-WAY	95
7926000232	VALVE SECTION - 4 WAY	95
7926000233	VALVE ASSEMBLY - 4-WAY SECTION	95
7926000273	COCK, DRAIN	362, 426
7926000275	VALVE SECTION - 4 WAY	61
7926000287	VALVE, PRESSURE RELIEF	449
7926000323	VALVE ASSEMBLY - RELAY	375
7926000325	HOLDING VALVE	51
7926000338	VALVE ASSEMBLY - CONTROL	157

From - 7892000054

To - 7926000338



# Manitowoc Cranes

Numerical Index		Appendix B
Part	Description	Page
7926000351	VALVE, AIR BLEEDER	131, 295
7926000353	VALVE SECTION - INLET	83, 95
7926000377	VALVE SECTION - RELIEF	95
7926000391	VALVE ASSEMBLY - 3-WAY	399
7926000559	VALVE ASSEMBLY - HOIST	153
7926000701	VALVE ASSEMBLY - RELIEF	387
7926000702	VALVE ASSEMBLY - RELIEF	415
7926000756	VALVE ASSEMBLY - SELECTOR	411
7926000931	VALVE, PRESSURE PROTECTION	375
7926001061	VALVE ASSEMBLY -	399
7926002359	3/8" P.O. CHECK VALVE (W/ HARD	305
7934000007	VENT, AIR	32
7949000083	WASHER, LOCK	121
7949000148	WASHER, 5/8" I.D. FLAT	307, 329
7949000162	WASHER, NEEDLE BEARING	23
7949000238	WASHER, HARDENED ROUND	27
7949000259	WASHER, 5/8" I.D.	299
7950080050	LOCKWASHER, 5/32" I.D.	399
7950100050	WASHER, LOCK #10	175, 211, 359, 373, 399, 409
7950100161	FLATWASHER, 3/16" I.D.	28
7950120050	LOCKWASHER 7/32" I.D.	333
7950140000	WASHER, LOCK 1/4" I.D.	39, 193
7950140050	WASHER, LOCK 1/4"	9, 15, 32, 126, 141, 159, 183, 195, 219, 231, 249, 277, 300, 332, 375, 387, 411
7950140141	WASHER, FLAT 1/4" PLAIN NARROW	9, 231, 443
7950140161	WASHER, 1/4" I.D. FLAT WIDE	19, 126
7950150050	WASHER, LOCK 5/16" I.D.	31, 160, 196, 229, 299, 341, 364, 375, 428, 439, 440
7950160000	WASHER, LOCK 3/8" I.D.	39, 49
7950160020	WASHER, LOCK 3/8" I.D.	125, 331
7950160050	WASHER, LOCK 3/8" I.D.	21, 28, 51, 57, 143, 145, 146, 157, 165, 173, 175, 201, 209, 211, 253, 299, 300, 329, 335, 338, 341, 345, 375, 387, 399, 411, 415, 419, 440

From - 7926000351

To - 7950160050

# Manitowoc Cranes

Numerical Index		Appendix B
Part	Description	Page
7950160141	WASHER, 3/8" PLAIN NARROW	49, 125, 399
7950170000	LOCKWASHER, 7/16" I.D.	364, 428
7950170050	WASHER, LOCK 7/16" I.D.	439, 440
7950170080	LOCKWASHER, 7/16" I.D.	153
7950180050	WASHER, LOCK 1/2" I.D.	5, 27, 31, 57, 125, 146, 255, 277, 329, 369, 387, 405
7950200000	LOCKWASHER, 5/8" I.D.	40
7950200050	WASHER, 5/8" I.D. LOCK	7, 332
7950220000	LOCKWASHER, 3/4" I.D.	39
7950220050	LOCKWASHER, 3/4" I.D.	143, 307
7950220141	WASHER, FLAT 3/4"	39
7950240050	LOCK WASHER, 7/8" I.D.	143
7950260050	LOCK WASHER, 1" I.D.	255, 277
7950300050	WASHER, LOCK	143
7970000086	WHEEL, STEERING	165, 201
7970000553	WHEEL, INDICATOR	140
7978000240	HARNESS, CONDUCTOR	40, 47
7978000850	HARNESS, WIRING	183, 219
9049100006	WASHER, LOCK	313, 317
9049100112	NUT	287
9049100146	WASHER, LOCK	317, 318, 321
9049100149	PIN, COTTER	311
9049100260	SCREW,	311
9049100264	SCREW,	311, 312, 336
9049100266	SCREW,	312
9049100272	SCREW,	318
9049100287	WASHER, LOCK	311
9049100288	WASHER, LOCK	311, 312, 336
9049100291	WASHER, LOCK	337
9049100297	PLUG	317
9049101214	BEARING	321, 337
9049101278	NUT	338
9049101497	NUT, JAM	261, 265, 283, 285
9049101498	SCREW, THRUST	261, 283
9049101538	SPIDER	262
9049101540	WASHER, THRUST	262

From - 7950160141

To - 9049101540

# Manitowoc Cranes

Numerical Index		Appendix B
Part	Description	Page
9049101543	CONE, BEARING	261, 283
9049101544	CUP, BEARING	261, 283
9049101545	PIN, COTTER	261, 283
9049101546	RING, ADJUSTING	261, 283
9049101554	WASHER .66" I.D.	261, 283
9049101560	STUD, MEDIUM	259, 281
9049101577	CAP SCREW,	261, 265, 283, 285
9049101578	COVER & SEAL ASSY	261, 283
9049101579	SEAL,OIL	261, 283
9049101580	GASKET	261, 283
9049101581	CONE, BEARING	261, 283
9049101582	CUP, BEARING	261, 283
9049101583	CAGE ASSEMBLY	261, 283
9049101596	CONE, BEARING	261, 283
9049101598	BEARING	261, 283
9049101599	WASHER,	261, 283
9049101600	RING, RETAINING	261, 283
9049101602	DOWEL	261, 283
9049101647	BUSHING	265, 285
9049101648	SEAL,OIL	265, 285
9049101650	PLUG	259, 281
9049101651	STUD	259, 281
9049101652	FLATWASHER	259, 281
9049101654	U-JOINT	266, 286
9049101656	SEAL,OIL	266, 286
9049101657	BUSHING	266, 286
9049101661	STUD	265, 285
9049101665	CAP	266, 286
9049101669	SHIM,	266, 286
9049101673	WASHER, THRUST	266, 286
9049101674	CAP SCREW,	265, 285
9049101676	YOKE, TIE ROD END	266, 286
9049101677	YOKE, TIE ROD END	266, 286
9049101678	CAP SCREW,	265, 285
9049101679	PIN	266, 286
9049101680	BUSHING	266, 286

From - 9049101543

To - 9049101680

# Manitowoc Cranes

Numerical Index		Appendix B
Part	Description	Page
9049101681	NUT	266, 286
9049101682	PIN, COTTER	265, 285
9049101683	NUT	266, 286
9049101684	CAP SCREW,	265, 285
9049101685	NUT	265, 269, 285, 289
9049101687	STUD	265, 285
9049101693	CONE, BEARING	265, 285
9049101694	CONE, BEARING	265, 285
9049101695	CUP, BEARING	265, 285
9049101696	CUP, BEARING	265, 285
9049101697	SEAL,OIL	266, 286
9049101698	O-RING	285
9049101700	PLUG	261, 283
9049101705	WASHER, LOCK	265, 285
9049101844	GEAR-20T	266, 286
9049101846	GEAR, PINION	266, 286
9049101847	WASHER, THRUST	266, 286
9049101848	WASHER, THRUST	266, 286
9049101849	SHAFT	266, 286
9049101855	PLUG	265, 285
9049101886	DIFF. HOUSING & CAP ASSY	261, 283
9049101893	GEAR	261, 283
9049101894	SHIM,	261, 283
9049101898	CAP SCREW,	265, 285
9049101907	PINION	261
9049101908	WASHER, THRUST	261
9049101909	GEAR	262
9049101910	YOKE	261, 283
9049101912	BREATHER	259, 281
9049101914	KNUCKLE, STEERING	266, 286
9049101915	CAP	266, 286
9049101917	HUB & CUP	265, 285
9049101918	DRUM, BRAKE	266, 286
9049101920	PLUG, DRAIN	265, 285
9049101922	SHIELD, DUST - L.H.	269, 289
9049101923	SHIELD, DUST - R.H.	269, 289

From - 9049101681

To - 9049101923

# Manitowoc Cranes

Numerical Index		Appendix B
Part	Description	Page
9049101924	SHIELD, DUST	269, 289
9049101925	SHIELD, DUST	269, 289
9049101926	CAP SCREW,	269, 289
9049101931	RIVET	269, 289
9049101934	PIN, ANCHOR	267, 287
9049101935	RING, SNAP	269, 289
9049101936	LINK	269, 289
9049101937	CAP SCREW,	269, 289
9049101938	LOCKWIRE	269, 289
9049101940	PLUG	269, 289
9049101943	SEAL ASSEMBLY, ANCHOR	269, 289
9049101944	ACTUATOR,BRAKE	269, 289
9049101945	PLUNGER	269, 289
9049101950	LOCKPLATE	269, 289
9049101952	CAP SCREW,	269, 289
9049101953	CAP SCREW,	269, 289
9049101954	WEDGE ASSEMBLY	269, 271, 289, 291
9049101955	WEDGE	271, 291
9049101956	CAGE	271, 291
9049101957	ROLLER	271, 291
9049101959	SPRING	271, 291
9049101960	RING, SNAP	271, 291
9049101961	WASHER, THRUST	271, 291
9049101962	BRAKE CHAMBER ASSEMBLY	269, 273, 289, 293
9049101964	DIAPHRAGM	273, 293
9049101966	HOUSING, NON-PRESSURE	273, 293
9049101967	CLAMP	273, 293
9049101968	GUIDE	273, 293
9049101980	FLATWASHER	265, 269, 285
9049102173	WASHER,	265, 285
9049102252	TAG	269, 289
9049102253	BUSHING	265
9049102254	PLUG, EXPANSION	267, 287
9049102266	NUT	265, 285
9049102299	CAP SCREW,	261, 283
9049102553	PLATE ASSY,DIAPHRAGM	285

From - 9049101924

To - 9049102553

# Manitowoc Cranes

Numerical Index		Appendix B
Part	Description	Page
9049102914	CAP SCREW,	261, 283
9049102915	CAP SCREW,	261, 283
9049102916	NUT	261, 283
9049102942	SPACER	283
9049102943	SPACER	261
9049102993	COVER-PLANETARY	266, 286
9049103001	LOCKNUT	259, 281
9049103391	WASHER,	266, 286
9049103392	GEAR	266, 286
9049103393	HUB	266, 286
9049103394	NUT	265, 285
9049103395	LOCK	265, 285
9049103396	SCREW,	265, 285
9049103562	FITTING, GREASE	266, 286
9049103565	BUTTON, THRUST	266, 286
9049103574	CAP SCREW,	265, 285
9049103595	CAP SCREW,	265, 285
9049103596	CAP SCREW,	265, 285
9049103602	CAP SCREW,	269, 289
9049103686	BOLT ASSEMBLY	269, 289
9049103702	CAP SCREW,	273, 293
9049103703	NUT	273, 293
9049103705	HOUSING	269, 289
9049103706	GUIDE	269, 289
9049103711	NO SPIN ASSY	283
9049103749	WASHER,	271, 291
9049103898	CARRIER, DIFFERENTIAL	283
9049103899	CASE ASSY, DIFFERENTIAL	261, 283
9049103904	HOUSING ASSEMBLY	259, 281
9049103906	SPINDLE ASSEMBLY	266, 286
9049103908	PLANETARY SPIDER AND	266, 286
9049103910	ROD, TIE	266, 286
9049103912	PLATE ASSY, DIAPHRAGM	273, 293
9049103914	CARRIER, DIFFERENTIAL	262
9049103926	NUT	265, 285
9049103961	KIT, HARDWARE	261, 283

From - 9049102914

To - 9049103961

# Manitowoc Cranes

Numerical Index		Appendix B
Part	Description	Page
9049104362	U-JOINT	267
9049104363	SHAFT	267
9049104364	SHAFT	267
9188100171	SPRING	269, 289
9274100112	PIN, COTTER	267
9274100125	RING, SNAP	266, 286
9286100001	CHAIN	25
9304100006	CLAMP	343
9304100007	CUP ASSY	343
9304100014	O-RING, AIR CLEANER	343
9304100017	BAFFLE	343
9364100002	RING	47
9364100084	BRUSH AND HOLDER ASSEMBLY	47
9364100085	BRUSH & ARM ASSY. 15 AMP	47
9364100087	DISCONNECT, LARGE KNIFE	47
9364100088	DISCONNECT, SMALL KNIFE	47
9364100091	SLEEVE, 1/4" I.D. X 3"	47
9364100092	SLEEVE, 3/16" I.D. X 3"	47
9364100176	BRACKET	47
9364100177	SPRING, BRUSH 2.8 LBS	47
9364100178	CONNECTOR, CRIMPED	47
9364100180	BEARING, NYLON	47
9364100181	BEARING, NYLON	47
9364100268	INSULATOR	47
9364100493	STUD	47
9364100658	NUT	47
9364100803	STUD, BRASS	47
9364101855	KEY, DRIVE	139
9372100003	O-RING AND SEAL	53
9372100006	O-RING	53
9372100008	O-RING	53
9372100010	CAP SCREW,	53
9372100011	SEAL, WIPER	53
9372100012	RING, THREAD	53
9372100013	PLUG, EXPANDER	53
9372100014	RING, PISTON	53

From - 9049104362

To - 9372100014

# Manitowoc Cranes

Numerical Index		Appendix B
Part	Description	Page
9372100015	HEAD	53
9372100230	NUT, CLAMP	53
9372100231	SHAFT	53
9372100232	CASE	53
9372100233	O-RING AND U-CUP SEAL	53
9372100244	PISTON	53
9372100245	WASHER, BACK-UP	53
9372100311	ADAPTER, TUBE-PUSH	347
9372100312	TUBE, PUSH	347
9372100313	BUSHING, CYLINDER	347
9372100314	SET SCREW	347
9372100315	SPRING, TAKE-UP	347
9372100316	SPRING, GRADUATING	347
9372100317	OILER, BELT	347
9372100318	ROD, PISTON	347
9372100319	GROMMET	347
9372100320	PISTON, THROTTLE	347
9372100321	OILER, FELT	347
9372100322	CUP, PACKING-PISTON	347
9372100323	FOLLOWER	347
9372100324	NUT, HEX	347
9372100325	PLUG, PORT-THROTTLE VALVE	347
9372100326	PLUG	347
9372100327	NUT	347
9372100328	PISTON	347
9372100329	SPRING	347
9372100330	CAP, CYLINDER	347
9372100331	GROMMET	179, 215, 347
9372100332	GROMMET	347
9372100694	TUBE, CYL	401
9372100742	ROD,END	401
9372100743	PISTON	401
9372100744	BRACKET, LEG	401
9372100745	NUT, JAM HEX	401
9372101226	BUSHING	347
9372101949	KIT, REPAIR	347

From - 9372100015

To - 9372101949



# Manitowoc Cranes

Numerical Index		Appendix B
Part	Description	Page
9437100064	VALVE	407
9437100065	HEAD	407
9437100066	HOUSING	407
9437100068	BOLTS, HEAD	407
9437100069	PLUG, DRAIN	407
9437100070	SEAL, HOUSING	407
9437100071	ELEMENT, FILTER	407
9437100135	ELEMENT, AIR CLEANER	343
9437100139	ELEMENT, TRANS. OIL	357
9437100140	QUAD RING	357
9437100776	KIT, WASHER AND SEAL	357
9490100047	CARRIER	149
9490100049	COVER	149
9490100050	WASHER,	149
9490100051	WASHER, THRUST	149
9490100057	PIN	149
9490100058	PIN	149
9490100059	COVER	149
9490100060	RETAINER	149
9490100061	OBSOLETE BY 7115150650	149
9490100062	SEPARATOR	149
9490100063	NUT, HEX	149
9490100066	ROLLER, NEEDLE	149
9490100067	ROLLER, NEEDLE	149
9490100068	OBSOLETE BY 7115160450	149
9490100069	OBSOLETE BY 7-950-160350	149
9490100070	CAP SCREW,	149
9490100071	RING, RETAINING	149
9490100094	CARRIER	149
9490100095	GEAR, SUN	149
9490100096	GEAR, SUN	149
9490100097	PLANET GEAR	149
9490100098	GEAR	149
9490100099	GEAR, PLANET	149
9490100100	RING, RETAINING	149
9490100101	RING, RETAINING	149

From - 9437100064

To - 9490100101

# Manitowoc Cranes

Numerical Index		Appendix B
Part	Description	Page
9490100102	SECONDARY CARRIER ASSY	149
9490100103	PRIMARY CARRIER ASSY	149
9515100169	SET SCREW	235
9515100170	CLIP	235
9515100171	HARNESS	235
9515100172	LOCKNUT	235
9515100173	CONTROL	235
9515100174	SPACER	235
9515100175	BRACKET	235
9515100176	KEY	235
9515100177	COVER, TOP	241
9515100178	BRACKET	241
9515100180	GROMMET	237, 239, 241
9515100181	BRACKET, MOUNTING	241
9515100182	CONNECTOR	241
9515100183	GASKET	241
9515100184	WASHER,	241
9515100185	DEFLECTOR,AIR	241
9515100186	NUT	239, 241
9515100187	WASHER,	239, 241
9515100188	WASHER,	239, 241
9515100189	WASHER,	239, 241
9515100190	WASHER,	239, 241
9515100191	SCREW, MACHINE	241
9515100192	EXCHANGER,HEAT	241
9515100193	CASE	241
9515100194	SWITCH, 24 VOLT	241
9515100195	CLIP	241
9515100196	WASHER SHOULDERED	239, 241
9515100197	SCREW, MACHINE	241
9515100198	FRONT & TOP COVER	241
9515100200	WIRE	237, 243
9515100203	IGNITER	243
9515100204	GASKET	243
9515100205	TUBE	243
9515100206	HEAD BURNER	243

From - 9490100102

To - 9515100206

# Manitowoc Cranes

Numerical Index		Appendix B
Part	Description	Page
9515100208	SCREW,	243
9515100209	WASHER,	243
9515100210	NUT	243
9515100214	VALVE	243
9515100215	FUEL LINE	243
9515100216	LOCKNUT	243
9515100217	CONNECTOR	243
9515100219	THUMBSCREW	245
9515100220	CLAMP	245
9515100221	FAN	245
9515100222	HOUSING	245
9515100223	GASKET	245
9515100224	PLATE	245
9515100225	BAND,RUBBER	245
9515100226	MOTOR,12V	245
9515100227	HOSE ASSY, USE AS REQUIRED	245
9515100228	HOUSING	245
9515100229	WHEEL	245
9515100230	PLATE	245
9515100231	GASKET	245
9515100235	COIL	237
9515100236	CLAMP	237
9515100237	CONDENSER	237
9515100238	IGNITION PACK	237
9515100239	RESISTOR, 12 VOLTS	237
9515100240	RESISTOR, 12 VOLTS	237
9515100241	SOCKET,	237
9515100243	CLAMP VIBRATOR	237
9515100244	VIBRATOR AND CONDENSER KIT	237
9515100247	SWITCH, 24 VOLT	239
9515100248	BOX	239
9515100249	PILOT LIGHT	239
9515100250	LAMP	239
9515100251	HOLDER, FUSE	239
9515100252	FUSE, 10 AMP	239
9515100253	SCREW,	239

From - 9515100208

To - 9515100253

# Manitowoc Cranes

Numerical Index		Appendix B
Part	Description	Page
9515100254	CONTROL	239
9515100255	WASHER,	239
9515100256	WASHER,	239
9515100257	NUT	239
9515100258	CONTROL,TEMPERATURE	239
9515100259	SPACER	239
9515100262	ROD	239
9515100263	STOP	239
9515100264	BLADE	239
9515100283	MICROSWITCH	239
9515100345	WASHER,	243
9515100364	SWITCH, 24 VOLT	241
9515100382	KIT,CONNECTOR	239
9515100383	GASKET	243
9515100384	RESTRICTOR	243
9515100385	KIT, FUEL LINE	243
9515100387	CONNECTOR	243
9515100388	CONNECTOR	243
9515100396	REPAIR KIT - PURGE VALVE	384
9515100397	REPAIR KIT - CHECK VALVE	384
9515100398	REPAIR KIT -	384
9515100507	KIT' END COVER	384
9515100508	END COVER ASSY	383
9515100867	ELBOW	383
9515100868	VALVE, SAFETY	383
9576100060	KIT, REPAIR	125
9581100030	BEAM, SEALED	193, 435
9581100033	BULB	435
9581100034	BULB	175, 211
9581100035	BULB	435
9581100036	BULB	437
9581100038	BEAM, SEALED	435
9581100047	BULB	193
9581100055	LENS,AMBER	435
9581100056	LENS,RED	435
9581100070	LENS, AMBER	437

From - 9515100254

To - 9581100070

# Manitowoc Cranes

Numerical Index		Appendix B
Part	Description	Page
9581100071	LENS, RED	437
9632100001	CAP SCREW,	169, 205
9632100002	SEAL	169, 205
9632100005	RING, QUAD	169, 205
9632100006	O-RING	35, 169, 205
9632100015	DRIVE	35
9632100021	CAP, END	169, 205
9632100046	CAP SCREW,	35
9632100052	WASHER,	35
9632100058	O-RING	35
9632100142	SCREW,	35
9632100195	SEAL, SHAFT	151
9632100196	RING, SNAP	151
9632100197	BEARING	151
9632100199	COVER, SHAFT END	151
9632100200	SEAL, RING	151
9632100201	SEAL, POCKET - 3" STRIP	151
9632100203	COVER, PORT END	151
9632100215	PLUG	151
9632100216	SHAFT AND GEAR SET	151
9632100217	HOUSING, GEAR	151
9632100256	SEAL, DUST	35
9632100257	FLANGE	35
9632100258	SEAL	35
9632100259	RACE, BEARING	35
9632100260	BEARING, NEEDLE	35
9632100261	SHAFT, SPLINE	35
9632100262	HOUSING	35
9632100263	PLATE, SPACER	35
9632100266	CAP, END	35
9632100267	REPAIR KIT - ORBIT MOTOR	35
9632100268	GEROTOR SET	35
9632100269	SPACER	35
9722100001	CAPSCREW, FAR	351
9722100002	CAPSCREW, NEAR	351
9722100003	GEAR, 1ST DRIVE 29T	351

From - 9581100071

To - 9722100003

# Manitowoc Cranes

Numerical Index		Appendix B
Part	Description	Page
9722100005	BALL	351
9722100009	SEAL, SHAFT	351
9722100010	GASKET, PROTECTOR	351
9722100012	GASKET, BACK-UP	351
9722100013	DIAPHRAGM	351
9722100014	SEAL, DIAPHRAGM	351
9722100016	SPRING	351
9722100029	BEARING	151
9722100030	O-RING	151
9722100031	PLATE, THRUST	151
9722100046	WASHER,	151
9722100120	VALVE, CHECK	151
9722100230	PIN, DOWEL	351
9722100231	PLATE, FRONT	351
9722100250	PLATE, BACK	351
9722100251	BODY	351
9722100252	GEAR, 1ST DRIVE 29T	351
9722100253	GEAR, IDLER	351
9722100254	O-RING	351
9722100255	KIT, REPAIR	351
9722100400	FASTENER	151
9722100515	WASHER, LOCK	285, 289
9726100032	CAP, RADIATOR	341
9752100027	KIT, REPAIR	53
9752100072	KIT, REPAIR	275, 297, 303
9752100076	KIT, REPAIR	13
9752100079	KIT, REPAIR	295
9752100114	KIT, REPAIR	11
9752100140	KIT, REPAIR	377
9752100148	KIT, REPAIR	401
9752100158	REPAIR KIT - HOIST	147
9752100182	KIT	155
9752100241	KIT, REPAIR	305
9752100248	KIT, REPAIR	151
9752100264	KIT, REPAIR	63, 67, 71, 75
9752100265	KIT, REPAIR	64, 71, 75

From - 9722100005

To - 9752100265

# Manitowoc Cranes

Numerical Index		Appendix B
Part	Description	Page
9752100266	KIT, REPAIR	64, 73, 79, 98, 109, 113, 117, 119
9752100267	KIT, REPAIR	64
9752100268	KIT, REPAIR	84, 87, 91, 98, 99, 101, 105, 107, 111
9752100269	KIT, REPAIR	63, 69, 83, 84, 87, 95, 99, 101
9752100270	KIT, REPAIR	84, 91, 99, 105, 107, 111
9752100271	KIT, RELIEF VALVE REPAIR	64, 77, 81
9752100302	KIT, REPAIR	43
9752100303	KIT, REPAIR	45
9752101337	KIT, SEAL	305
9794100012	MOULDING	345
9860100005	MOULDING	341
9904100273	CAP SCREW,	317
9904100934	SEAL,OIL	336
9904100936	FLANGE	311, 336
9904100938	WASHER,	311, 336
9904100940	NUT	311
9904100942	RING, RETAINING	315, 316, 317
9904100967	BUSHING	319
9904100986	BREATHER, AIR	311
9904100993	SLEEVE, TUBE	311, 312
9904100996	WASHER,	312
9904101022	RING, RETAINING	311, 337
9904101044	SCREW, LOCK	318, 321
9904101047	PLUG	321
9904101049	BALL	55, 133, 317, 321
9904101050	SPRING	317, 321
9904101051	SEAL,OIL	317, 321
9904101073	PLUG	335
9904101084	PLUG	336
9904101092	STOP	335
9904101102	PLUG	312
9904101139	RING, RETAINING	337, 338
9904101179	GASKET	335

From - 9752100266

To - 9904101179

# Manitowoc Cranes

Numerical Index		Appendix B
Part	Description	Page
9904101180	PLUG	311
9904101181	GEAR	335
9904101182	RING, SNAP	335
9904101183	HOUSING, CONVERTER	335
9904101184	SCREW,	313, 336
9904101185	BEARING ASSY.	336
9904101186	SPACER, SHAFT	336
9904101187	BEARING	336
9904101188	RING, SNAP	336
9904101189	SHAFT	336
9904101190	RING, RETAINING	336
9904101191	WASHER,	336
9904101192	RING, SNAP	336
9904101193	SLEEVE	336
9904101194	STUD	338
9904101195	GASKET	336, 338
9904101196	NUT	338
9904101197	PUMP, CHARGING	336
9904101198	NUT	336
9904101201	STUD	336
9904101202	BEARING	336
9904101203	SHAFT	337
9904101204	GEAR	337
9904101205	BEARING, FRONT	337
9904101206	RING, RETAINING	337
9904101207	RING, RETAINING	311, 337
9904101208	GEAR	337
9904101209	RING, RETAINING	337
9904101211	RING, PISTON	337
9904101212	SHAFT	337
9904101213	STATOR, SLEEVE AND SUPPORT	337
9904101215	RING, RETAINING	337
9904101216	GEAR	337
9904101218	TURBINE	337
9904101219	HUB	337
9904101220	RING, SNAP	337

From - 9904101180

To - 9904101220



# Manitowoc Cranes

Numerical Index		Appendix B
Part	Description	Page
9904101221	MEMBER,REACTION	337
9904101222	SPACER	337
9904101224	HUB	337
9904101227	WASHER, LOCK	337
9904101229	BAFFLE	337
9904101232	RING, SNAP	338
9904101233	BEARING	338
9904101234	COVER	338
9904101235	SLEEVE	338
9904101237	WASHER,	338
9904101238	KIT, RING GEAR	338
9904101239	WASHER,	338
9904101240	SCREW,	338
9904101244	ADAPTER, HYD.PUMP 4 BOLT MTG.	338
9904101245	ADAPTER, STEER PUMP 2 BOLT MTG	338
9904101246	WASHER, LOCK	338
9904101248	STUD	338
9904101290	SEAL,OIL	311
9904101291	BEARING, FRONT	311, 315
9904101292	FRONT COVER AND TUBE ASSEMBLY	311
9904101294	TUBE	311
9904101295	CLIP	311
9904101296	TUBE	311
9904101297	SLEEVE	311
9904101298	LOCK, PLATE	311
9904101299	SHAFT, INPUT	311
9904101301	GEAR	311
9904101302	PLUG	311, 313
9904101306	SCREW,	311
9904101307	GASKET	311, 312
9904101308	PLUG	312
9904101309	PLUG	312
9904101310	TUBE	312
9904101311	DOWEL	312
9904101312	GASKET	312
9904101313	COVER	312

From - 9904101221

To - 9904101313

# Manitowoc Cranes

Numerical Index		Appendix B
Part	Description	Page
9904101314	PLUG	312, 317
9904101315	NUT	312
9904101316	STUD	312
9904101317	PLUG, MAGNETIC	307, 312
9904101318	SCREEN	312
9904101319	CASE ASSEMBLY	312
9904101320	GASKET	312
9904101321	PLUG	312
9904101322	CLIP	312
9904101323	TUBE	312
9904101324	SCREW,	312
9904101325	WASHER,	312
9904101326	PIN	312
9904101327	RIVET	313
9904101331	BAFFLE, OIL	313
9904101332	RING	315, 316
9904101333	BEARING, GEAR	315, 316
9904101334	RING, SNAP	315, 316
9904101335	GEAR	315, 316
9904101336	RING, BAFFLE	315, 316
9904101337	RING, RETAINING	315, 316
9904101338	RETAINER, SPRING	315, 316
9904101339	SPRING	315, 316
9904101340	SHAFT AND DRUM	315, 323
9904101341	BEARING, GEAR	315
9904101342	RING, SNAP	315
9904101343	GEAR, 60T	315
9904101344	SPACER	315
9904101345	BEARING, GEAR	315
9904101346	GEAR, 22T	315
9904101347	SHAFT AND DRUM	315, 323
9904101348	RING, SNAP	316
9904101349	BEARING, FRONT	316
9904101350	BEARING, PILOT	316
9904101351	BEARING, GEAR	316, 337
9904101352	RING, RETAINING	316

From - 9904101314

To - 9904101352

# Manitowoc Cranes

Numerical Index		Appendix B
Part	Description	Page
9904101353	BEARING, GEAR	316
9904101354	RING, SNAP	316
9904101355	GEAR, LOW	316
9904101356	RETAINER, SPRING	316
9904101357	SHAFT AND DRUM	316, 325
9904101358	GEAR	316
9904101359	RING, SNAP	316
9904101360	BEARING, REAR	316
9904101361	RING, SNAP	316
9904101362	RING	316
9904101363	GASKET	316
9904101364	CAP, REAR BEARING	317
9904101365	SCREW,	317
9904101367	BALL, LOCK	317
9904101368	BEARING, REAR	317
9904101369	WASHER,	317
9904101370	SPACER	317
9904101371	NUT	317
9904101372	GASKET	317
9904101373	CAP, BEARING	317
9904101374	CAP SCREW	317
9904101375	PLUG	317
9904101377	BEARING, FRONT	317
9904101378	WASHER,	317
9904101379	SHAFT, IDLER	317
9904101380	SUPPORT, RAIL	317
9904101381	RAIL	317
9904101382	GEAR	317
9904101383	SPACER	317
9904101385	SHAFT ASSEMBLY	317
9904101386	CUP, BEARING	317
9904101387	CONE, BEARING	318
9904101388	SPACER	318
9904101389	BEARING, GEAR	318
9904101390	RACE, BEARING	318
9904101391	NUT	318, 319

From - 9904101353

To - 9904101391

# Manitowoc Cranes

Numerical Index		Appendix B
Part	Description	Page
9904101392	WASHER	318, 319
9904101398	SHIM, .020	318
9904101400	GEAR	318
9904101401	HUB, SHIFT	318
9904101402	SLEEVE	318
9904101403	GEAR	318
9904101408	CAP, REAR BEARING	318
9904101409	FORK, SHIFT	318
9904101410	SEAL,OIL	318
9904101411	RING, RETAINING	323, 325
9904101412	PLATE, END	323, 325
9904101413	DISC, CLUTCH	323
9904101414	DISC, CLUTCH	323, 325
9904101415	PISTON, CLUTCH	323, 325
9904101416	RING, SEAL	323, 325
9904101417	RING, SEAL	323, 325
9904101418	DISC, CLUTCH	325
9904101419	CAP SCREW,	321
9904101420	HOUSING	321
9904101421	HUB, SHIFT	321
9904101422	FORK, SHIFT	321
9904101423	SHAFT	321
9904101424	RAIL	321
9904101425	RING, SNAP	321
9904101600	PISTON	335
9904101601	SPRING	335
9904101602	SPRING	335
9904101603	PIN, ROLL	335
9904101604	VALVE, REGULATOR	335
9904101605	SEAT	335
9904101606	PLUNGER	335
9904101607	SPRING	335
9904101608	BEARING ASSY.	336
9904101609	SPACER, DRIVE S	336
9904101614	RING, PISTON	337
9904101619	SCREW,	337

From - 9904101392

To - 9904101619

# Manitowoc Cranes

Numerical Index		Appendix B
Part	Description	Page
9904101620	O-RING	338
9904101626	IMPELLER	337
9904101627	SHAFT	336
9904101628	SEAL,OIL	318
9904102137	GEAR	317
9904102265	BREATHER	335
9904102266	SCREW AND LOCKWASHER	335, 336, 338
9904102267	RETAINER	336
9904102275	SEAL,OIL	338
9904102276	SCREW,	338
9904102281	BEARING, GEAR	315, 316
9904102283	BEARING	315
9904102360	NUT	336
9904102361	PLUG	336
9904103599	PLUG	335
9904104014	FLANGE	318
9904105321	BEARING, REAR	311
9904105443	GASKET	311
9904105444	PLATE	313
9904107857	PLUG, CENTER	335
9904109349	O-RING	335
9926100076	KIT, REPAIR	83
9926100083	PLATE,MTG	169, 205
9926100088	PIN, CENTERING	170, 206
9926100089	SPRING	169, 205
9926100094	SPRING	169, 205
9926100095	BALL	169, 205
9926100096	SEAT, CHECK	169, 205
9926100097	PLUG,SEAL	169, 205
9926100098	O-RING	169, 205
9926100106	CAP SCREW,	170, 206
9926100108	BEARING	170, 206
9926100110	RING, SNAP	170, 206
9926100115	KEY	170, 206
9926100118	BODY	55, 133
9926100120	SEAT	55, 133

From - 9904101620

To - 9926100120

# Manitowoc Cranes

Numerical Index		Appendix B
Part	Description	Page
9926100123	PISTON	55, 133
9926100125	BALL	55, 133
9926100126	END, SPRING	55, 133
9926100127	PLUG	55, 133
9926100128	PLUG	55, 133
9926100129	SPACER	55, 133
9926100130	SPRING	55, 133
9926100132	SEAT	55, 133
9926100134	SPRING	55, 133
9926100135	PISTON	55, 133
9926100138	NUT	55, 133
9926100147	O-RING	397
9926100159	END	155
9926100289	O-RING	397
9926100319	DRIVE	169, 205
9926100324	KIT, REPAIR	170, 206
9926100325	SPACER	169, 205
9926100326	SPLINE	169, 205
9926100327	RING	170, 206
9926100330	PLATE,SPACER	169, 205
9926100372	CAP	393
9926100385	SCREW,	393
9926100386	SCREW,	393
9926100389	SEAL	393
9926100390	PLATE,SEAL	393
9926100394	WASHER,	393
9926100397	PLUG	393
9926100398	SPRING	393
9926100399	SPRING	393
9926100416	VALVE SECTION	393
9926100460	PLUG	55, 133
9926100584	SEAL, THREAD	155
9926100585	NUT	155
9926100596	PLUG, ADJUSTABLE	155
9926100601	O-RING	155
9926100606	O-RING	155

From - 9926100123

To - 9926100606

# Manitowoc Cranes

Numerical Index		Appendix B
Part	Description	Page
9926100607	SPRING	155, 397, 417
9926100650	SCREW,	83, 91, 96, 97, 105, 107, 111
9926100651	CAP, VALVE	83, 91, 96, 97, 105, 107, 111
9926100652	CAP SCREW,	83, 91, 96, 97, 105, 107, 111
9926100653	GUIDE, SPRING	84, 91, 96, 97, 105, 107, 111
9926100654	SPRING, CAP	84, 91, 96, 97, 105, 107, 111
9926100655	PLATE, RETAINING	84, 91, 96, 97, 105, 107, 111
9926100658	POPPET, CHECK	96, 97, 98, 105, 107, 111
9926100659	SPRING, CHECK	96, 97, 98, 105, 107, 111
9926100660	CAP, CHECK	84, 91, 96, 97, 98, 105, 107, 111
9926100661	SCREW, FILLISTER HEAD	61, 62, 71, 75
9926100662	CAP, VALVE	61, 62, 71, 75
9926100663	BOLT, STRIPPER	61, 62, 71, 75
9926100664	GUIDE, SPRING	61, 62, 71, 75
9926100666	PLATE, RETAINING	61, 62, 71, 75
9926100667	O-RING	61, 62, 71, 75
9926100670	POPPET, CHECK	62, 71
9926100671	SPRING, CHECK	62, 71
9926100672	CAP, CHECK	62, 71, 75
9926100674	PLUG	63, 69, 83, 87, 95, 101
9926100686	WASHER, GASKET	61
9926100687	CARTRIDGE	61
9926100688	SEAT	61
9926100691	PLUNGER	61
9926100692	SPRING	61
9926100693	SCREW, ADJUSTMENT	61
9926100694	NUT, LOCKING	61
9926100697	WASHER,	83, 95
9926100698	CARTRIDGE ASSEMBLY	83, 95

From - 9926100607

To - 9926100698

# Manitowoc Cranes

Numerical Index		Appendix B
Part	Description	Page
9926100699	VALVE, CHECK	83, 95
9926100700	SEAT, FLOATING	83, 95
9926100701	O-RING	83, 95
9926100703	PLUNGER, DISPLACEMENT	83, 95
9926100705	SCREW, SPRING ADJUSTING	83, 96
9926100706	NUT, LOCKING	96
9926100714	RING, BACK-UP	84, 91, 96, 97, 105, 107, 111
9926100716	RING, BACK-UP	61, 62, 71, 75
9926100721	O-RING	61, 62, 67, 71, 75, 83, 84, 87, 91, 95, 96, 97, 98, 101, 105, 107, 111
9926100722	O-RING	61, 62, 67, 71, 75
9926100723	O-RING	83, 84, 87, 91, 95, 96, 97, 98, 101, 105, 107, 111
9926100724	SEAT	393
9926100726	SEAL	393
9926100727	SEAL	393
9926100737	FILTER	155
9926100741	STEERING SHAFT ASSY	170, 206
9926100742	TUBE AND FLANGE	170, 206
9926100760	COIL, 12 VOLT	389
9926100764	RING, QUAD	389, 394
9926100765	SPRING	389
9926100766	WASHER,	389
9926100767	SOLENOID VALVE ASSEMBLY	393
9926100769	SHELL	389, 393
9926100771	SLEEVE	389, 393
9926100772	SPRING	389, 393
9926100773	SLEEVE	389, 393
9926100774	SCREW,	389, 393
9926100775	PLATE, END	389, 393
9926100779	GUIDE, TUBE	389
9926100786	SEAT	397, 417
9926100787	O-RING	397
9926100788	SCREW,	155

From - 9926100699

To - 9926100788



# Manitowoc Cranes

Numerical Index		Appendix B
Part	Description	Page
9926100789	RING, BACK-UP	397
9926100833	SPRING, CAP	61, 62, 71, 75
9926100842	PLUG	84, 89, 98, 103
9926100843	TUBE	390, 394
9926100844	PLUNGER	394
9926100845	PIN	394
9926100846	PIN	394
9926100848	GUIDE	389, 394
9926100859	KIT, REPAIR	185, 187, 221, 223
9926101099	CARTRIDGE	63, 77, 81
9926101100	SEAT, FLOATING	62, 63, 73, 77, 79, 81, 97, 98, 109, 113, 117, 119
9926101101	SET SCREW	62, 63, 73, 77, 79, 81, 97, 98, 109, 113, 117, 119
9926101102	LOCKNUT	62, 63, 73, 77, 79, 81, 97, 98, 109, 113, 117, 119
9926101103	POPPET	62, 63, 73, 77, 79, 81, 97, 98, 109, 113, 117, 119
9926101104	SPRING, CHECK VALVE	62, 63, 73, 77, 79, 81, 97, 98, 109, 113, 117, 119
9926101105	SLUG, STEEL	62, 63, 73, 77, 79, 81, 97, 98, 109, 113, 117, 119
9926101108	GASKET, LEAD COPPER	62, 63, 73, 77, 79, 81, 97, 98, 109, 113, 117, 119
9926101111	CARTRIDGE	62, 73, 79, 97, 98, 109, 113, 117, 119
9926101112	SPRING, RELIEF VALVE	62, 63, 73, 77, 79, 81, 97, 98, 113, 119
9926101123	SHELL, CARTRIDGE	93, 115
9926101124	POPPET	93, 115
9926101125	RING, BACK-UP	93, 115
9926101126	O-RING	93, 115
9926101127	RETAINER, POPPET	93, 115
9926101128	SPRING	83, 95
9926101143	PLATE	185, 221
9926101144	VALVE, CONTROL	185, 221

From - 9926100789

To - 9926101144

# Manitowoc Cranes

Numerical Index		Appendix B
Part	Description	Page
9926101145	TREADLE	185, 221
9926101147	PIN	185, 221
9926101148	ROD, PUSH	185, 187, 221, 223
9926101149	PIN	185, 221
9926101150	CAP SCREW,	185, 221
9926101151	WASHER, LOCK	185, 221
9926101153	PLUG	185, 221
9926101154	CAP SCREW,	185, 221
9926101155	NUT	185, 221
9926101156	VALVE ASSEMBLY - CONTROL	185, 221
9926101157	PEDAL	185, 221
9926101160	ROLLER	185, 221
9926101161	SPRING	185, 221
9926101204	NUT	189, 225
9926101205	PISTON, BALANCE	189, 225
9926101206	RING, THRUST	189, 225
9926101207	SHIM,	189, 225
9926101208	ROD, GUIDE	189, 225
9926101210	BOOT, DUST	189, 225
9926101211	SCREW, MACHINE	189, 225
9926101212	PLUG	189, 225
9926101213	U-CUP	187, 189, 223, 225
9926101214	WASHER, SEAL	189, 225
9926101215	BARRIER, PLATE	189, 225
9926101217	SUPPORT, POPPET PLATE	189, 225
9926101218	POPPET, EXHAUST	189, 225
9926101219	DISC, RING	189, 225
9926101220	DISC, SUPPORT	189, 225
9926101221	POPPET, INLET	189, 225
9926101222	SPRING	189, 225
9926101223	SLEEVE	189, 225
9926101224	PISTON	189, 225
9926101225	RING, RETAINING	189, 225
9926101226	RING, RETAINING	189, 225
9926101227	O-RING	189, 225
9926101230	U-CUP	189, 225

From - 9926101145

To - 9926101230

# Manitowoc Cranes

Numerical Index		Appendix B
Part	Description	Page
9926101236	SPRING, BALANCE	189, 225
9926101237	BODY, INLET	189, 225
9926101238	ROD, PUSH	189, 225
9926101258	HOUSING	67
9926101259	PLUG, FLUSH PIPE	61, 67
9926101286	VALVE ASSY - INLET AND	377
9926101287	VALVE BODY	377
9926101288	RING, SNAP	377
9926101289	O-RING	377
9926101290	GUIDE	377
9926101291	O-RING	377
9926101292	SPRING	377
9926101293	RETAINER	377
9926101294	VALVE	377
9926101295	O-RING, COVER	377
9926101296	O-RING, PISTON	377
9926101297	COVER	377
9926101298	SPRING	377
9926101299	RELAY PISTON	377
9926101300	PISTON	377
9926101301	SEAT	377
9926101302	SCREW, ROLLING	377
9926101303	SCREW,	377
9926101304	CHECK, EXHAUST	377
9926101305	COVER	377
9926101306	PLUG	377
9926101315	BREATHER	185, 221
9926101319	RING	185, 221
9926101353	GEAR	169, 205
9926101354	CAP SCREW,	169, 205
9926101356	PARTS ASSY,CONTROL	169, 205
9926101379	SPRING, RELIEF VALVE	97, 109, 117
9926101389	WASHER,	181, 217
9926101402	DIAPHRAGM	381
9926101403	RING, SEALING	381
9926101404	SCREW, MACHINE	381

From - 9926101236

To - 9926101404

# Manitowoc Cranes

Numerical Index		Appendix B
Part	Description	Page
9926101405	BODY	381
9926101415	BUTTON	165, 201
9926101426	BODY	155
9926101428	PLUG	155
9926101429	PISTON AND POPPET	155
9926101430	PLUG, ORIFICE	155
9926101433	SCREW, ADJUSTING	155
9926101434	PISTON	155
9926101436	POPPET	155
9926101437	END, SPRING	155
9926101438	BALL	155
9926101439	SPRING	155
9926101440	SPRING	155
9926101451	BODY	251
9926101452	STEM	251
9926101453	VALVE, INLET	251
9926101454	SEAT, SPRING	251
9926101455	SPRING	251
9926101456	PLATE, STRAINER	251
9926101457	CAP	251
9926101458	BUTTON	251
9926101459	PIN, COTTER	251
9926101460	BODY	367, 431
9926101461	SEAT, VALVE	367, 431
9926101462	SCREW CAP	367, 431
9926101463	CAP SCREW,	367, 431
9926101464	BUSHING, VALVE STOP	367, 431
9926101465	VALVE, DISC	367, 431
9926101466	SPRING	367, 431
9926101467	BODY	379
9926101468	VALVE	379
9926101469	VALVE	379
9926101470	GROMMET	379
9926101471	COVER	379
9926101472	WASHER, LOCK	379
9926101473	SCREW	379

From - 9926101405

To - 9926101473

# Manitowoc Cranes

Numerical Index		Appendix B
Part	Description	Page
9926101481	SCREEN	189, 225
9926101482	BODY	453
9926101483	SPRING	453
9926101484	GUIDE	453
9926101485	STEEL BALL SET	453
9926101486	BALL SET	453
9926101488	WASHER, LOCK	179, 215
9926101489	SCREW,	179, 215
9926101490	GROMMET	179, 215
9926101491	VALVE, STEM	179, 215
9926101492	KNOB	179, 215
9926101493	HEAD	179, 215
9926101494	PIN	179, 215
9926101495	BODY	181, 217
9926101496	O-RING	181, 217
9926101497	VALVE	181, 217
9926101498	VALVE SEAT	181, 217
9926101499	VALVE STEM	181, 217
9926101500	VALVE, INLET AND EXHAUST	181, 217
9926101501	VALVE SPRING	181, 217
9926101502	VALVE GUIDE	181, 217
9926101503	SCREW,	181, 217
9926101504	SPRING	181, 217
9926101505	O-RING, PISTON	181, 217
9926101506	PISTON	181, 217
9926101507	COVER	181, 217
9926101508	CAM FOLLOWER	181, 217
9926101509	FOLLOWER	181, 217
9926101510	CAM	181, 217
9926101511	SPRING	181, 217
9926101512	GASKET	181, 217
9926101513	SCREW,	181, 217
9926101514	RING	181, 217
9926101515	WASHER, LOCK	181, 217
9926101532	COVER, PEDAL	185, 221
9926101561	BEARING KIT	170, 206

From - 9926101481

To - 9926101561

# Manitowoc Cranes

Numerical Index		Appendix B
Part	Description	Page
9926101676	REPAIR KIT	189, 225
9926101693	NUT	55, 133
9926101775	O-RING	55, 133, 389
9926101777	PLUNGER	389
9926101778	CONE	389
9926101779	PIN	389
9926101841	VALVE ASSEMBLY - RELIEF	62, 71, 97, 98, 111
9926101842	VALVE ASSEMBLY - RELIEF	61, 67
9926101843	VALVE ASSEMBLY - RELIEF	95
9926101845	VALVE ASSEMBLY - RELIEF	63, 75
9926101847	VALVE ASSEMBLY - RELIEF	83, 87, 95, 101
9926101848	VALVE ASSEMBLY - RELIEF	97, 107
9926101856	SEAL, O-RING	63, 77, 81
9926101998	VALVE, SECTION	390
9926101999	VALVE, SECTION	389
9926102000	VALVE, SECTION	390
9926102005	PLUG, #8 SAE SPECIAL	390
9926102007	PIN	389
9926102038	PLUG	397, 417
9926102039	END, SPRING	397, 417
9926102040	BODY	417
9926102041	PLUG	397, 417
9926102042	SCREW,	397, 417
9926102043	POPPET	397, 417
9926102044	LOCKSCREW	397, 417
9926102046	BODY	397
9926102047	COIL	394
9926102155	BOOT, DUST	187, 223
9926102156	SPRING,CUP	187, 223
9926102157	SPRING,BALANCE	187, 223
9926102158	STOP,SPRING-CUP	187, 223
9926102195	BODY, VALVE	187, 223
9926102196	BODY, CARTRIDGE	187, 223
9926102197	TUBE, CAP & GUIDE	187, 223
9926102198	SEAT, TUBE	187, 223
9926102199	DISV,EXHAUST CHECK	187, 223

From - 9926101676

To - 9926102199

# Manitowoc Cranes

Numerical Index		Appendix B
Part	Description	Page
9926102200	SPRING, COMPRESSION	187, 223
9926102201	SCREW,	187, 223
9926102202	WASHER,	187, 223
9926102203	RING, RETAINING	187, 223
9926102204	U-CUP SEAL	187, 223
9926102206	SPRING, COMPRESSION	187, 223
9926102207	RING, RETAINING	187, 223
9926102251	SCREW, SHOULDER	413
9926102252	SPOOL STOP	413
9926102253	SPRING	413
9926102254	STOP	413
9926102257	WASHER,	413
9926102258	CLEVIS	413
9926102259	PIN, COTTER	413
9926102260	LEVER	413
9926102261	WASHER,	413
9926102263	LINK	413
9926102269	SOLENOID ASSEMBLY	390
9926102452	PLATE, SEAL	390
9926102824	NUT 3/8"	390
9926102828	BRACKET	390
9926102835	ADAPTER	403
9926102836	SEAL	403
9926102837	NUT	403
9926102838	HOUSING	403
9926102839	GROMMETS	403
9926102840	COIL	403
9926102841	PLATE	403
9926102842	SLEEVE	403
9926102843	SPRING	403
9926102844	PLUNGER	403
9926102845	SEAL	403
9926102846	CAP SCREW,	55, 133
9926102850	STUD	390
9926103419	GUIDE TUBE ASSY.	394
9926103420	CONE	394

From - 9926102200

To - 9926103420

# Manitowoc Cranes

Numerical Index		Appendix B
Part	Description	Page
9926105172	RING, BACK-UP	55, 133
9926112122	KIT,SEAL	11, 13, 51
NS	NOT SERVICED	62, 63, 95, 96, 97, 98, 107, 155, 273, 293, 343, 393, 403



# Manitowoc Cranes

## Recommended Spare Parts List

## Appendix C

Part No.	1 Yr	2 Yr	3 Yr	Qty	Description	Page
4114900021	0	0	2	2	PAD, SIDE WEAR	300
6671000013	0	0	2	6	PAD, WEAR	5, 7
6671000052	0	0	2	1	PAD, WEAR	15
6671000143	0	0	2	2	PAD, WEAR	300
6794000263	0	0	2	1	GASKET, MOTOR	146
6794000266	0	0	2	1	RETAINER, SEAL	32
7013000125	0	0	1	1	ADAPTER	422
7069000107	0	0	1	1	BEARING	32
7069000111	0	0	1	4	BEARING, PLANET SHAFT,	32
7069000137	0	0	1	2	BEARING, NEEDLE	23
7069000138	0	0	1	1	RACE, BEARING	23
7069000173	0	0	1	2	BEARING	125
7069000181	0	0	1	1	BEARING	32
7069000194	0	0	1	1	BEARING, BALL	146
7069000220	0	0	1	1	RACE, INNER	146
7083000003	1	1	2	2	BLADE	183, 219
7172000006	0	0	2	7	BOOT, RUBBER CONTROL ROD	58
7242000021	1	1	3	1	PLUG, 1" BUTTON	19
7364000034	0	0	1	5	CONNECTOR, MALE	27, 32
7388000039	0	0	1	3	DISC, BRAKE	145
7440000000	0	0	1	34	FITTING, 1/8 STRAIGHT GREASE	5, 51, 173, 209, 253, 255, 277, 295
7440000300	0	0	1	1	FITTING, 65 DEGREE GREASE	23
7440000400	0	0	1	4	FITTING, 90 DEGREE GREASE	27, 32, 411
7440010000	0	0	1	1	FITTING, STRAIGHT GREASE	33
7440030000	0	0	1	1	FITTING, STRAIGHT GREASE	295
7443000002	0	0	1	1	FITTING, O-RING	121
7444000344	0	0	1	1	COUPLING, STRAIGHT	421
7444000660	0	0	1	1	ELBOW, 90 DEGREE	307
7444121270	0	0	1	3	ELBOW, 90 DEGREE	371, 445
7445020201	0	0	1	7	ADAPTER, STRAIGHT	51, 249, 363, 427
7445020204	0	0	1	21	ADAPTER, 90 DEGREE SWIVEL	249, 349, 362, 426
7445020404	0	0	1	4	ADAPTER, 90 DEGREE SWIVEL	363, 427
7445040401	0	0	1	14	ADAPTER, STRAIGHT SWIVEL	362, 426
7445040403	0	0	1	1	ADAPTER, STRAIGHT	449
7445040404	0	0	1	34	ADAPTER, 90 DEGREE SWIVEL	121, 131, 361, 425
7445040405	0	0	1	2	ADAPTER, SWIVEL	363, 427
7445040409	0	0	1	4	ADAPTER, 45 DEGREE SWIVEL	131
7445040412	0	0	1	7	ADAPTER, SWIVEL	131, 362, 426
7445040413	0	0	1	1	ADAPTOR, SWIVEL	131
7445040414	0	0	1	4	ADAPTER, SWIVEL	362, 426
7445040601	0	0	1	15	ADAPTER, STRAIGHT SWIVEL	362, 421, 426
7445040643	0	0	1	1	ADAPTER, STRAIGHT	122
7445060401	0	0	1	9	ADAPTER, STRAIGHT SWIVEL	362, 426, 449

From - 4114900021

To - 7445060401

# Manitowoc Cranes

## Recommended Spare Parts List

## Appendix C

Part No.	1 Yr	2 Yr	3 Yr	Qty	Description	Page
7445060404	0	0	1	3	ADAPTER, SWIVEL	231, 361, 425
7445060419	0	0	1	1	ADAPTER, STRAIGHT MALE	153
7445060420	0	0	1	2	ELBOW, 90 DEGREE	153
7445060601	0	0	1	6	ADAPTER, SWIVEL	363, 427, 455
7445060602	0	0	1	2	ADAPTER, SWIVEL	362, 426
7445060603	0	0	1	5	ADAPTER, STRAIGHT	421
7445060604	0	0	1	21	ADAPTER, SWIVEL	331, 362, 426, 450, 455, 457
7445060605	0	0	1	14	ADAPTER, 90 DEGREE SWIVEL	449, 457
7445060607	0	0	1	2	ADAPTER, SWIVEL	458
7445060609	0	0	1	15	ELBOW, 45 DEGREE	131, 137, 449, 455
7445060651	0	0	1	4	UNION, STRAIGHT	362, 426
7445080404	0	0	1	2	SWIVEL ADAPTER UNION	363, 427
7445080417	0	0	1	1	ADAPTER, REDUCING	121
7445080450	0	0	1	1	BUSHING, REDUCER	458
7445080608	0	0	1	1	ADAPTER, SWIVEL	457
7445080612	0	0	1	2	ADAPTER	457
7445080801	0	0	1	7	ADAPTER, STRAIGHT	122, 131, 135, 364, 421, 428, 457
7445080803	0	0	1	3	ADAPTER, STRAIGHT	421, 457
7445080804	0	0	1	16	ELBOW, 90 DEGREE	121, 332, 362, 421, 426, 457
7445080808	0	0	1	4	ADAPTER, SWIVEL	421, 449, 458
7445080809	0	0	1	10	ADAPTER, SWIVEL	122, 129, 131, 135, 421, 449, 457
7445080811	0	0	1	1	ADAPTER, 45 DEGREE SWIVEL	421
7445080812	0	0	1	4	ADAPTER, SWIVEL	362, 426, 449
7445080813	0	0	1	3	ADAPTER, 90 DEGREE SWIVEL	131, 362, 426
7445080849	0	0	1	2	NIPPLE	364, 428
7445080857	0	0	1	2	CONNECTOR	363, 427
7445100803	0	0	1	1	ADAPTER, 90 DEGREE SWIVEL	332
7445100811	0	0	1	2	ADAPTER	129
7445120804	0	0	1	2	ADAPTER, 90 DEGREE SWIVEL	450
7445121201	0	0	1	4	ADAPTER, SWIVEL	421, 449
7445121204	0	0	1	6	ELBOW, 90 DEGREE	422, 446, 450
7445121208	0	0	1	2	ADAPTER, 90 DEGREE SWIVEL	422
7445121209	0	0	1	2	ELBOW, 45 DEGREE MALE	445, 450
7445161209	0	0	1	2	ADAPTER, 45 DEGREE SWIVEL	121
7445161250	0	0	1	4	BUSHING, REDUCER	121
7445161601	0	0	1	5	ADAPTER, STRAIGHT SWIVEL	422, 445
7445161604	0	0	1	5	ADAPTER, SWIVEL	422, 445, 457
7445161655	0	0	1	2	TEE	121
7445162001	0	0	1	5	ADAPTER, SWIVEL	121, 446
7445202001	0	0	1	1	ADAPTER, SWIVEL	445

From - 7445060404

To - 7445202001

# Manitowoc Cranes

## Recommended Spare Parts List

## Appendix C

Part No.	1 Yr	2 Yr	3 Yr	Qty	Description	Page
7445202004	0	0	1	1	ADAPTER, SWIVEL	445
7486000266	0	0	1	2	INDICATOR, LOW PRESSURE	361, 425
7506000008	0	0	2	1	GROMMET	140
7506000009	0	0	2	1	GROMMET	247
7581000004	1	1	1	1	BULB	175, 211
7581000011	0	0	1	2	LIGHT, AMBER	435
7581000012	0	0	1	2	LIGHT, RED TURNSIGNAL	435
7581000052	1	1	1	2	BULB	176, 212
7581000165	1	1	1	2	BULB, 12 VOLT	166, 202, 443
7709000031	0	0	1	2	O-RING PLUG #6	421
7750000005	0	0	1	1	SOLENOID, STARTER	332
7750000019	0	0	1	1	RELAY	307
7753000117	0	0	2	6	RING, WEAR	275, 297, 303
7753000150	0	0	2	1	RING, WEAR	295
7753000156	0	0	2	2	RING, SNAP	23
7754000066	0	0	2	4	O-RING	409
7754000135	0	0	2	3	O-RING, LOW TEMPERATURE	13, 295, 305
7755009000	0	0	2	5	O-RING	393
7755010000	0	0	2	11	O-RING	55, 62, 73, 79, 97, 98, 109, 113, 117, 119, 133
7755011609	0	0	2	1	RING, BACK-UP	61
7755013000	0	0	2	5	O-RING	63, 77, 81, 417
7755014000	0	0	2	13	O-RING	62, 63, 73, 77, 79, 81, 97, 98, 109, 113, 117, 119
7755015002	0	0	2	17	O-RING	389, 390, 393, 394
7755022000	0	0	2	3	O-RING	275, 297, 303
7755110000	0	0	2	5	O-RING	55, 133, 311, 417
7755110609	0	0	2	3	RING, BACK-UP	83, 95, 417
7755111000	0	0	2	2	O-RING	55, 133
7755112000	0	0	2	1	O-RING	317
7755113000	0	0	2	4	O-RING	55, 133, 335
7755114000	0	0	2	2	O-RING	55, 133
7755115000	0	0	2	5	O-RING	55, 61, 67, 133, 145
7755117000	0	0	2	5	O-RING	55, 133, 155, 318, 417
7755118000	0	0	2	4	O-RING	62, 71, 75
7755120000	0	0	2	2	O-RING	413
7755120609	0	0	2	2	RING, BACK-UP	413
7755125000	0	0	2	1	O-RING	155
7755154000	0	0	2	1	O-RING	145
7755210000	0	0	2	2	CLAMP, O-RING	189, 225
7755211000	0	0	2	2	O-RING	312
7755212000	0	0	2	26	O-RING	83, 84, 91, 95, 96, 97, 98, 105, 107, 111, 187, 223

From - 7445202004

To - 7755212000

# Manitowoc Cranes

## Recommended Spare Parts List

## Appendix C

Part No.	1 Yr	2 Yr	3 Yr	Qty	Description	Page
7755214000	0	0	2	2	O-RING	413
7755214609	0	0	2	2	RING, BACK-UP	413
7755216000	0	0	2	12	O-RING	84, 91, 96, 97, 98, 105, 107, 111, 312, 335
7755220000	0	0	2	6	O-RING	155, 187, 223, 311, 317, 336
7755221000	0	0	2	2	O-RING	187, 223
7755222000	0	0	2	2	O-RING	121, 153
7755228000	0	0	2	2	O-RING	189, 225
7755229000	0	0	2	1	O-RING	338
7755242000	0	0	2	1	O-RING	318
7755246000	0	0	2	2	O-RING	146, 318
7755247000	0	0	2	1	O-RING, RETURN FILTER	31
7755259000	0	0	2	1	O-RING	145
7755260000	0	0	2	1	O-RING	337
7755269000	0	0	2	2	O-RING	265
7755275000	0	0	2	2	O-RING	145
7755278000	0	0	2	1	O-RING	337
7755325609	0	0	2	8	RING, BACK-UP	11, 13, 295, 305
7755327000	0	0	2	1	O-RING	319
7755328000	0	0	2	1	O-RING	318
7755334000	0	0	2	3	O-RING	275, 297, 303
7755334609	0	0	2	3	RING, BACK-UP	275, 297, 303
7755342609	0	0	2	1	RING, BACK-UP	11
7755347002	0	0	2	1	O-RING	145
7755358000	0	0	2	2	O-RING	32
7755425609	0	0	2	3	RING, BACK-UP	13, 295, 305
7755427002	0	0	2	1	O-RING	145
7755901000	0	0	2	1	O-RING	61
7755904002	0	0	2	1	O-RING	449
7755906000	0	0	2	1	O-RING	121
7755906002	0	0	2	1	O-RING	122, 421
7755908000	0	0	2	1	O-RING	394
7755908002	0	0	2	6	O-RING	390, 393, 421, 422, 457
7755910000	0	0	2	6	O-RING	137
7755910002	0	0	2	6	O-RING	129, 332
7755912000	0	0	2	6	O-RING	455
7755912002	0	0	2	6	O-RING	121, 122, 131, 135, 422, 445
7755916000	0	0	2	6	O-RING	422, 445
7794000015	0	0	2	1	RING, WIPER	295
7794000164	0	0	2	4	GASKET, LIQUID	231
7794000256	0	0	2	1	SEAL, ROD	11
7794000264	0	0	2	1	SEAL,OIL	146

From - 7755214000

To - 7794000264

# Manitowoc Cranes

## Recommended Spare Parts List

## Appendix C

Part No.	1 Yr	2 Yr	3 Yr	Qty	Description	Page
7794000265	0	0	2	2	SEAL,OIL	146
7794000267	0	0	2	2	SEAL, PINION AND SHAFT	31
7794000268	0	0	2	2	SEAL	31
7794000269	0	0	2	2	SEAL	32
7794000270	0	0	2	1	SEAL	32
7834000012	0	0	1	3	SPRING	173, 209, 253
7834000015	0	0	1	1	SPRING, GOVERNOR	139
7834000037	0	0	1	1	SPRING	411
7834000075	0	0	1	6	SPRING, COMPRESSION	145
7872000003	0	0	1	4	BREAKER, 20 AMP CIRCUIT	166, 175, 202, 211
7872000007	0	0	1	2	SWITCH, HEADLAMP	165, 201
7872000059	0	0	1	2	SWITCH, PRESSURE	361, 425
7872000062	0	0	1	2	SWITCH, TOGGLE	165, 201
7872000065	0	0	1	2	BREAKER, 30 AMP CIRCUIT	165, 201
7872000066	0	0	1	16	SWITCH, PUSH BUTTON	175, 211
7872000158	0	0	1	2	SWITCH, 24 VOLT	165, 201
7872000164	0	0	1	2	SWITCH, PUSH PULL	176, 212
7888000018	0	0	1	2	TEE	363, 427
7888000019	0	0	1	2	TEE	363, 427
7888000022	0	0	1	1	TEE	307
7888000031	0	0	1	1	TEE, SERVICE	458
7888000033	0	0	1	7	TEE, SERVICE	121, 153, 363, 427
7888000037	0	0	1	1	TEE, SERVICE	449
7888000045	0	0	1	1	TEE	445
7949000162	0	0	1	2	WASHER, NEEDLE BEARING	23
9049101543	0	0	1	4	CONE, BEARING	261, 283
9049101544	0	0	1	4	CUP, BEARING	261, 283
9049101579	0	0	2	2	SEAL,OIL	261, 283
9049101580	0	0	2	2	GASKET	261, 283
9049101648	0	0	2	4	SEAL,OIL	265, 285
9049101656	0	0	2	4	SEAL,OIL	266, 286
9049101687	0	0	1	48	STUD	265, 285
9049101693	0	0	1	4	CONE, BEARING	265, 285
9049101697	0	0	2	4	SEAL,OIL	266, 286
9049101943	0	0	2	8	SEAL ASSEMBLY, ANCHOR	269, 289
9049101964	0	0	2	2	DIAPHRAGM	273, 293
9188100171	0	0	1	4	SPRING	269, 289
9304100014	0	0	2	1	O-RING, AIR CLEANER	343
9372101949	1	1	2	0	KIT, REPAIR	347
9437100070	0	0	2	1	SEAL, HOUSING	407
9437100071	4	4	6	1	ELEMENT, FILTER	407
9437100135	4	4	6	1	ELEMENT, AIR CLEANER	343
9437100139	4	4	6	1	ELEMENT, TRANS. OIL	357
9437100140	0	0	2	1	QUAD RING	357

From - 7794000265

To - 9437100140

# Manitowoc Cranes

## Recommended Spare Parts List

## Appendix C

Part No.	1 Yr	2 Yr	3 Yr	Qty	Description	Page
9437100776	4	4	6	1	KIT, WASHER AND SEAL	357
9490100050	0	0	1	1	WASHER,	149
9490100051	0	0	1	12	WASHER, THRUST	149
9490100066	0	0	1	96	ROLLER, NEEDLE	149
9490100067	0	0	1	48	ROLLER, NEEDLE	149
9515100183	0	0	2	1	GASKET	241
9515100223	0	0	2	1	GASKET	245
9515100231	0	0	2	2	GASKET	245
9515100250	1	1	1	1	LAMP	239
9515100283	0	0	1	1	MICROSWITCH	239
9515100364	0	0	1	1	SWITCH, 24 VOLT	241
9515100382	1	1	2	1	KIT,CONNECTOR	239
9515100396	1	1	2	0	REPAIR KIT - PURGE VALVE	384
9515100397	1	1	2	0	REPAIR KIT - CHECK VALVE	384
9515100398	1	1	2	0	REPAIR KIT -	384
9576100060	1	1	2	0	KIT, REPAIR	125
9581100030	1	1	1	0	BEAM, SEALED	193, 435
9581100033	1	1	1	0	BULB	435
9581100034	1	1	1	0	BULB	175, 211
9581100035	1	1	1	0	BULB	435
9581100036	1	1	1	0	BULB	437
9581100038	1	1	1	0	BEAM, SEALED	435
9581100047	1	1	1	0	BULB	193
9632100002	0	0	2	2	SEAL	169, 205
9632100005	0	0	2	2	RING, QUAD	169, 205
9632100200	0	0	2	2	SEAL, RING	151
9632100201	0	0	2	1	SEAL, POCKET - 3" STRIP	151
9632100259	0	0	1	1	RACE, BEARING	35
9632100260	0	0	1	1	BEARING, NEEDLE	35
9632100267	1	1	2	1	REPAIR KIT - ORBIT MOTOR	35
9722100029	0	0	1	4	BEARING	151
9722100030	0	0	2	2	O-RING	151
9722100255	1	1	2	1	KIT, REPAIR	351
9752100027	1	1	2	1	KIT, REPAIR	53
9752100072	1	1	2	1	KIT, REPAIR	275, 297, 303
9752100076	1	1	2	1	KIT, REPAIR	13
9752100079	1	1	2	1	KIT, REPAIR	295
9752100114	1	1	2	1	KIT, REPAIR	11
9752100140	1	1	2	1	KIT, REPAIR	377
9752100148	1	1	2	1	KIT, REPAIR	401
9752100158	1	1	2	1	REPAIR KIT - HOIST	147
9752100182	1	1	2	1	KIT	155
9752100241	1	1	2	0	KIT, REPAIR	305
9752100248	1	1	2	1	KIT, REPAIR	151

From - 9437100776

To - 9752100248

# Manitowoc Cranes

Recommended Spare Parts List					Appendix C	
Part No.	1 Yr	2 Yr	3 Yr	Qty	Description	Page
9752100264	1	1	2	6	KIT, REPAIR	63, 67, 71, 75
9752100265	1	1	2	4	KIT, REPAIR	64, 71, 75
9752100266	1	1	2	9	KIT, REPAIR	64, 73, 79, 98, 109, 113, 117, 119
9752100267	1	1	2	1	KIT, REPAIR	64
9752100268	1	1	2	12	KIT, REPAIR	84, 87, 91, 98, 99, 101, 105, 107, 111
9752100269	1	1	2	2	KIT, REPAIR	63, 69, 83, 84, 87, 95, 99, 101
9752100270	1	1	2	8	KIT, REPAIR	84, 91, 99, 105, 107, 111
9752100271	1	1	2	3	KIT, RELIEF VALVE REPAIR	64, 77, 81
9752100302	1	1	2	1	KIT, REPAIR	43
9752100303	1	1	2	1	KIT, REPAIR	45
9752101337	1	1	2	1	KIT, SEAL	305
9794100012	0	0	2	1	MOULDING	345
9904100934	0	0	2	1	SEAL,OIL	336
9904100942	0	0	2	5	RING, RETAINING	315, 316, 317
9904101047	1	1	3	1	PLUG	321
9904101050	0	0	1	2	SPRING	317, 321
9904101179	0	0	2	1	GASKET	335
9904101185	0	0	1	1	BEARING ASSY.	336
9904101187	0	0	1	3	BEARING	336
9904101290	0	0	2	1	SEAL,OIL	311
9904101307	0	0	2	2	GASKET	311, 312
9904101320	0	0	2	1	GASKET	312
9904101333	0	0	1	2	BEARING, GEAR	315, 316
9904101341	0	0	1	1	BEARING, GEAR	315
9904101348	0	0	2	1	RING, SNAP	316
9904101349	0	0	1	1	BEARING, FRONT	316
9904101353	0	0	1	2	BEARING, GEAR	316
9904101354	0	0	2	2	RING, SNAP	316
9904101363	0	0	2	1	GASKET	316
9904101372	0	0	2	1	GASKET	317
9904101386	0	0	1	1	CUP, BEARING	317
9904101389	0	0	1	4	BEARING, GEAR	318
9904101390	0	0	1	2	RACE, BEARING	318
9904101410	0	0	2	1	SEAL,OIL	318
9904101416	0	0	2	5	RING, SEAL	323, 325
9904101417	0	0	2	5	RING, SEAL	323, 325
9904101608	0	0	1	2	BEARING ASSY.	336
9904101620	0	0	2	1	O-RING	338
9904101628	0	0	2	1	SEAL,OIL	318
9904102281	0	0	1	2	BEARING, GEAR	315, 316

From - 9752100264

To - 9904102281

# Manitowoc Cranes

## Recommended Spare Parts List

## Appendix C

Part No.	1 Yr	2 Yr	3 Yr	Qty	Description	Page
9904109349	0	0	2	2	O-RING	335
9926100324	1	1	2	2	KIT, REPAIR	170, 206
9926100389	0	0	1	2	SEAL	393
9926100686	0	0	2	1	WASHER, GASKET	61
9926100714	0	0	2	10	RING, BACK-UP	84, 91, 96, 97, 105, 107, 111
9926100721	0	0	2	48	O-RING	61, 62, 67, 71, 75, 83, 84, 87, 91, 95, 96, 97, 98, 101, 105, 107, 111
9926100722	0	0	2	18	O-RING	61, 62, 67, 71, 75
9926100723	0	0	2	14	O-RING	83, 84, 87, 91, 95, 96, 97, 98, 101, 105, 107, 111
9926100727	0	0	2	1	SEAL	393
9926100764	0	0	2	5	RING, QUAD	389, 394
9926100833	0	0	1	4	SPRING, CAP	61, 62, 71, 75
9926100859	1	1	2	4	KIT, REPAIR	185, 187, 221, 223
9926101108	0	0	2	13	GASKET, LEAD COPPER	62, 63, 73, 77, 79, 81, 97, 98, 109, 113, 117, 119
9926101125	0	0	2	2	RING, BACK-UP	93, 115
9926101512	0	0	2	2	GASKET	181, 217
9926101676	1	1	2	2	REPAIR KIT	189, 225
9926101775	0	0	2	6	O-RING	55, 133, 389
9926101856	0	0	2	4	SEAL, O-RING	63, 77, 81
9926105172	0	0	2	4	RING, BACK-UP	55, 133
9926112122	1	1	2	4	KIT,SEAL	11, 13, 51

From - 9904109349

To - 9926112122



# Manitowoc Cranes

## Belt and Filter Maintenance List

## Appendix D

Part No.	1000 Hrs	2000 Hrs	Qty	Description	Page
9437100071	2	4	1	ELEMENT, FILTER	407
9437100135	2	4	1	ELEMENT, AIR CLEANER	343
9437100139	2	4	1	ELEMENT, TRANS. OIL	357
9437100776	2	4	1	KIT, WASHER AND SEAL	357

From - 9437100071

To - 9437100776

# ***Manitowoc Cranes***

Notes

---

# Manitowoc Cranes

## Foot Note Index

## Appendix E

Foot Note	Description
-	THIRD REPAIR KIT AND/OR PART OF 3RD KIT
!	SUB ASSY AND/OR PART OF SUB ASSY
#	SERVICED AS AN ASSEMBLY ONLY
\$	FIFTH REPAIR KIT
%	SEE NOTE AT END OF LIST
&	SIXTH REPAIR KIT
(	4TH SUB ASSY AND/OR PART OF 4TH SUB ASSY
)	5TH SUB ASSY AND/OR PART OF 5TH SUB ASSY
*	REPAIR KIT AND/OR PART OF KIT
/	2ND SUB ASSY AND/OR PART OF 2ND SUB ASSY
@	SECOND REPAIR KIT AND/OR PART OF 2ND KIT
^	3RD SUB ASSY AND/OR PART OF 3RD SUB ASSY
{	6TH SUB ASSY AND/OR PART OF 6TH SUB ASSY
}	7TH SUB ASSY AND/OR PART OF 7TH SUB ASSY
~	SEE ALLISON DEALER FOR REPAIR PARTS
+	SEE FURTHER BREAKDOWN THIS GROUP
<	FOURTH REPAIR KIT AND/OR PART OF 4TH KIT
=	REFER TO MCI FOR APPLICABLE NUMBER
>	REFER TO MCI FOR BREAKDOWN LOCATION