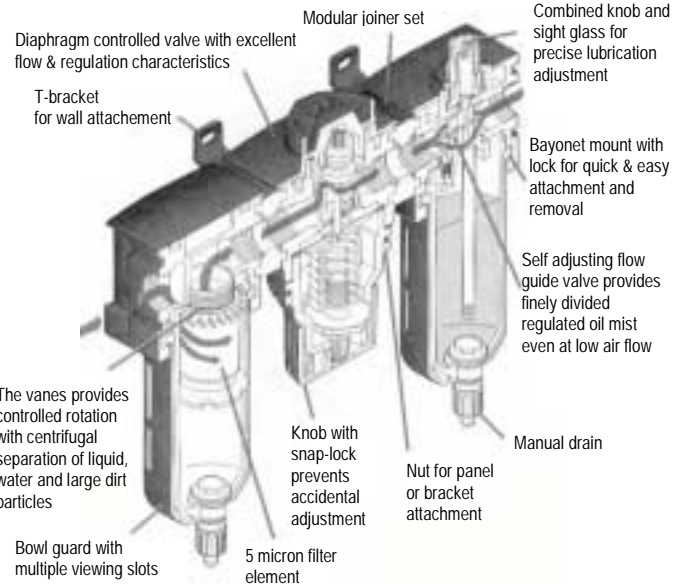
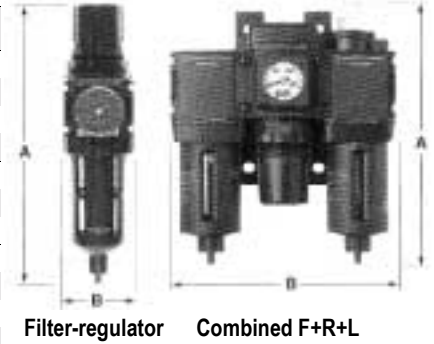


# Filters, regulators, lubricators

Inlet thread	1/4"	1/2" 1)	3/4" 2)	1" 3)	1 1/4" 4)	2"
<b>FILTER</b> 5)	<b>F08-C2-SK00</b>	<b>F18-C4-SK00</b>	<b>F28-C6-SK00</b>	<b>F38-C8-SK00</b>	<b>F35-CA-A29</b>	<b>F37-CC-A29</b>
Bowl capacity [dl]	0,12	0,51	0,85	0,8		
Flow [l/sec.]	18	46	63	135	410	540
Dimension A x B [mm]	40 x 116	60 x 188	73 x 213	100 x 281	198 x 484	198 x 869
<b>REGULATOR</b> 6)	<b>R08-C2-F0G0</b>	<b>R18-C4-F0G0</b>	<b>R28-C6-F0G0</b>	<b>R38-C8-F0G0</b>	<b>R30-CA-A29</b>	<b>R40-CC-A29</b>
Flow [l/sec.]	19	60	76	232	377	566
Dimension A x B [mm]	40 x 100	60 x 136	73 x 149	100 x 199	109 x 262	135 x 302
<b>LUBRICATOR</b>	<b>L08-C2-LK00</b>	<b>L18-C4-LK00</b>	<b>L28-C6-LK00</b>	<b>L38-C8-LK00</b>	<b>L40-CA-A29</b>	<b>L50-CC-A29</b>
Bowl capacity [dl]	0,18	1,21	1,81	3,6	7,69	7,69
Flow [l/sec.]	19	41	74	185	410	460
Dimension A x B [mm]	40 x 144	60 x 212	73 x 238	10 x 282	140 x 295	140 x 311
<b>Filter-regulator</b>	<b>B08-C2-FKG0</b>	<b>B18-C4-FKG0</b>	<b>B28-C6-FKG0</b>	<b>B38-C8-FKG0</b>		
Bowl capacity [dl]	0,12	0,51	0,85	0,8		
Flow [l/sec.]	20	59	78	164		
Dimension A x B [mm]	40 x 164	60 x 254	73 x 291	100 x 407		
<b>Combined FR + L</b>	<b>D08-C2-FKG0</b>	<b>D18-C4-FKG0</b>	<b>D28-C6-FKG0</b>	<b>D38-C8-FKG0</b>		
Flow [l/sec.]	19	59	76	142		
Dimension A x B [mm]	80 x 164	128 x 254	155 x 291	200 x 407		
<b>Combined F+R+L</b>	<b>C08-C2-FKG0</b>	<b>C18-C4-FKG0</b>	<b>C28-C6-FKG0</b>	<b>C38-C8-FKG0</b>		
Flow [l/sec.]	19	59	76	142		
Dimension A x B [mm]	80 x 144	197 x 212	237 x 238	300 x 248		

Other inlet threads also available: 1) – for series 18: 3/8" (C3 instead of C4),  
 2) – for series 28: 3/8" (C3 instead of C6), or 1/2" (C4 instead of C6),  
 3) – for series 38: 3/4" (C6 instead of C8), 4) – for series 1 1/4": 1 1/2" (CB instead of CA)  
 5) – filters with 5 micrometers filtration and manual drain  
 6) – outlet pressure 0,4 – 8,5 bar, manometer included (except 1 1/4", 2")

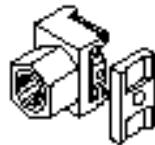


## IN-LINE LUBRICATORS

Inlet	Outlet	Part no.
1/4" BSP inside	1/4" BSP inside	<b>L01-C2-A29</b>
1/4" BSP inside	1/4" BSP outside	<b>L01-C2-E29</b>
3/8" BSP inside	3/8" BSP outside	<b>L01-C3-A29</b>



**FRL-COMBI**  
combined F+R+L on chassis

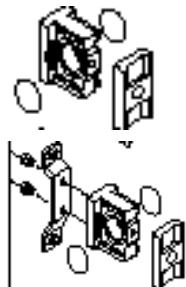


	Piping adapter set	with brackets
series 08	1/8" <b>GPA-97-066</b>	-----
series 08	1/4" <b>GPA-97-067</b>	-----
series 08	3/8" <b>GPA-97-065</b>	-----
18 / 28	1/4" <b>GPA-96-620</b>	– for one side
18 / 28	3/8" <b>GPA-96-621</b>	– for one side
18 / 28	1/2" <b>GPA-96-622</b>	– for one side
18 / 28	3/4" <b>GPA-96-623</b>	– for one side
series 38	3/4" <b>GPA-96-628</b>	<b>GPA-96-632</b>
series 38	1" <b>GPA-96-629</b>	<b>GPA-96-633</b>

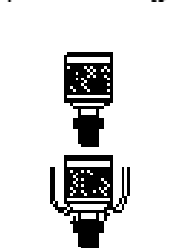


## SAFETY LOCKOUT VALVE

series 08	1/8"	<b>V08-C1-0000</b>
series 08	1/4"	<b>V08-C2-0000</b>
series 18	1/4"	<b>V18-C2-0000</b>
series 18	3/8"	<b>V18-C3-0000</b>
series 18	1/2"	<b>V18-C4-0000</b>
series 28	3/8"	<b>V28-C3-0000</b>
series 28	1/2"	<b>V28-C4-0000</b>
series 28	3/4"	<b>V28-C6-0000</b>



	JOINER SET
series 08	<b>GPA-96-738</b>
series 18, 28	<b>GPA-96-601</b>
series 38	<b>GPA-96-616</b>



	„T” BRACKET WITH JOINER SET
series 08	<b>GPA-96-737</b>
series 18, 28	<b>GPA-96-603</b>
series 38	<b>GPA-96-608</b>

	AUTOMATIC DRAIN FOR 18,28,38 SERIES FILTERS
nitrile	<b>GRP-96-200</b>
viton	<b>GRP-96-300</b>
	for low flow
nitrile	<b>GRP-96-600</b>
viton	<b>GRP-96-700</b>
	FOR FILTERS SERIES 08
	<b>GRP-96-716</b>



## FILTER / LUBRICATOR BRACKET

series 18	<b>GPA-96-604</b>
series 28	<b>GPA-96-605</b>



## REGULATOR BRACKET

series 08	<b>GRP-96-739</b>
series 18	<b>GPA-96-606</b>
series 28	<b>GPA-96-607</b>



## „C” BRACKET

series 08	<b>GPA-97-010</b>
series 38	<b>GPA-96-609</b>

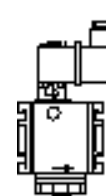
## MOUNTING BRACKET

series 38	<b>RRP95-590</b>
-----------	------------------



## DIVERTER BLOCK

series 08	1/8"	<b>N08-C1-0000</b>
series 08	1/4"	<b>N08-C2-0000</b>
series 18	1/2"	<b>N18-C4-0000</b>
series 18	3/4"	<b>N28-C6-0000</b>
series 38	1"	<b>N38-C8-0000</b>



## 24V SLOW START PREVENTER

1/4" BSP	<b>S18-C2-EC00</b>
3/8" BSP	<b>S18-C3-EC00</b>
1/2" BSP	<b>S18-C4-EC00</b>
3/8" BSP	<b>S28-C3-EC00</b>
1/2" BSP	<b>S28-C4-EC00</b>
3/4" BSP	<b>S28-C6-EC00</b>

# Air hoses and air hose accessories

## AIR HOSES IN COILS

**Blue PVC Nitrile Hose - 20 metre coil**  
An interior tube of black nitrile PVC – Extra flexible.  
Braided textile reinforcement – 20 bar pressure.  
Abrasion, weather and heat resistant cover – Longer lasting. Greater temperature range: -35°C to +60°C..

**PVC Round Hose - 30 metre coil**  
Scuff resistant outer cover – Greater kink resistance.  
Lightweight – Extra flexible – High quality PVC.  
Temperature range from: -20°C to +65°C.  
A resistance against a wider range of chemicals.

Part no.	Ø inside mm	Ø outside mm	Working pressure [bar]	Bursting pressure [bar]
NP6-12-20M	6	12	20	60
NP8-15-20M	8	15	20	60
NP10-19-20M	10	19	20	60
NP13-23-20M	12,5	23	20	60
NP16-28-20M	16	28	20	60
NP19-31-20M	19	31	20	60
RH-6	6	11	18	74
RH-8	8	13	15	65
RH-10	10	14	13	54
RH-12	12,5	17	11	44
RH-16	16	21	11	44
RH-19	19	24	11	44

Reinforced steel clamps for NP series hoses

clamping Ø	Part no.
19-21	A
22-24	B
28-30	D
31-33	E

Couplings for quick hose repair

for hose inside Ø	Part no.
16 mm	GR16
19 mm	GR19

## RECOIL HOSE ASSEMBLIES „SUPERCOIL”



Fitting kit set	Fitting thread	Diameter inch	Diameter mm	Fitting insert
06368	1/4"	1/4"	6	00168
06369	1/4"	5/16"	8	00169
06370	3/8"	3/8"	9,5	00170
06372	1/2"	1/2"	13	00171

Part no.	Inside hose Ø [inches]	Inside hose Ø [mm]	Length [m]	Nipple thread	Working length [m]	Compact. [mm]
34102	1/4"	6	3	1/4"	2,5	150
34202	1/4"	6	6	1/4"	5	310
34302	1/4"	6	9	1/4"	8	430
35102	5/16"	8	3	1/4"	2,5	140
35202	5/16"	8	6	1/4"	5	300
35302	5/16"	8	9	1/4"	8	460
IR36102	3/8"	9,5	3	3/8"	2,5	150
IR36202	3/8"	9,5	6	3/8"	5	340
IR36302	3/8"	9,5	9	3/8"	8	520
IR36103	3/8"	9,5	3	1/4"	2,5	150
IR36203	3/8"	9,5	6	1/4"	5	340
IR36303	3/8"	9,5	9	1/4"	8	520
IR26602	3/8"	9,5	18	---	16	1120
IR37102	1/2"	13	3	1/2"	2,5	165
IR37202	1/2"	13	6	1/2"	5	380
IR37302	1/2"	13	9	1/2"	8	580
IR27502	1/2"	13	15	---	13	1030

## 1300 / 1800 / 2100 QUICK COUPLINGS



Thread/Ø hose	Standard coupling	Coupling nipple
Profile 1300 (approx. flow 23 l/s)		
1/8" female	---	13405
1/4" female	1300	13410
3/8" female	1300B	---
1/8" male	---	13110
1/4" male	---	13210N
3/8" male	1300A	13220
Ø 6 mm	---	13006
Ø 8 mm	---	13008
Ø 10 mm	---	13010
Ø 12 mm	---	13012

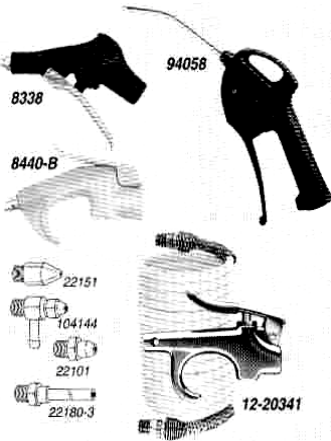
Thread/Ø hose	Standard coupling	Coupling nipple
Profile 1800 (approx. flow 62 l/s)		
1/4" female	---	18405
3/8" female	1800	18410
1/2" female	1800B	---
3/4" female	1800C	---
1/8" male	---	18105
1/4" male	---	18110
3/8" male	---	18210N
1/2" male	1800A	18220
3/4" male	---	18230
Ø 6 mm	---	18006
Ø 8 mm	---	18008
Ø 10 mm	---	18010
Ø 12 mm	---	18012
Ø 16 mm	---	18016
Ø 19 mm	---	18019

Thread/Ø hose	Standard coupling	Coupling nipple
Profile 2100 (approx. flow 180 l/s)		
1" female	2100	---
1" male	---	21210
Ø 19 mm	---	21019
Ø 25 mm	---	21025
Ø 32 mm	---	21032

## AIR GUNS WITH EQUIPMENT

Part no.	Pressure range	Weight [g]
8338	2 – 17 bar	136
8440-B	2 – 12 bar	76
94058	6 – 10 bar	135
12-20341	2 – 7 bar	190

Accessories for 8338 air gun	
rubber tip	22151
brass tip	22101
standard tip	22180-1
air shield tip	22180-2
siphon tip	104144
extended tip (76 mm)	21180-3
extended tip (152 mm)	21180-6
extended tip (254 mm)	33970



## QUICK COUPLINGS 7.2-7.4 PROFILE (approx. flow 25 l/s)

Thread or Ø hose	Standard coupling	Safety coupling	Coupling nipple
BSP female			
1/4"	7N7CCFC2	7S7CCFC2	77NFC2
3/8"	7N7CCFC3	7S7CCFC3	77NFC3
1/2"	7N7CCFC4	7S7CCFC4	77NFC4
BSP male			
1/4"	7N7CCMC2	7S7CCMC2	77NMC2
3/8"	7N7CCMC3	7S7CCMC3	77NMC3
1/2"	7N7CCMC4	7S7CCMC4	77NMC4
hose			
Ø 6	7N7CCH06	7S7CCH06	77NH06
Ø 8	7N7CCH08	7S7CCH08	77NH08
Ø 9	7N7CCH09	7S7CCH09	77NH09
Ø 10	7N7CCH10	7S7CCH10	77NH10
Ø 13	7N7CCH13	7S7CCH13	77NH13

## SWIVEL-IT™ - rotary joint to facilitate tool manoeuvring

Part no.	Thread	Flow
AS-1/4	1/4"	11,8 l/s
AS-3/8	3/8"	21,2 l/s
AS-1/2	1/2"	28,3 l/s

with air flow regulator

ASA-1/4	1/4"	regulated
---------	------	-----------

## AUTOMATIC DRAINS



Part no.	Thread	Capacity	Dimensions	Weight
X02-C4-C29	1/2"	30 litres/h	Ø 83 x 108	0,6 kg
X01-C4-A29	1/2"	560 litres/h	Ø 118 x 216	2 kg

Working pressure 0,7 – 10 bar

# Spring balancers, nipples & lubricants

## LUBRICANTS

Part no.	Q-ty	Recommended use
10P	0,55 l	For small tool airmotors
10G	4,5 l	For small tool airmotors
50-P	0,55 l	For large tool airmotors
50-G	4,5 l	For large tool airmotors
10GW	4,5 l	For airmotors in low temperature
28 1 LB	0,45 kg	For planetary gearing
66 1 LB	0,45 kg	For high torque angle heads
67-1 LB	0,45 kg	For low torque angle heads
100 1 LB	0,45 kg	For hammer impact mechanism
115 1 LB	0,45 kg	For 2131 series impacttools
150 8 LB	3,6 kg	For ball-cam impact mechanism



Grease gun for tool (0,09 l)  
R000A2-228



## IN-LINE LUBRICATORS

Part no.	Thread	Flow	Capacity	Weight
<b>INTERMITTENT</b>				
3LUB8	1/2"	47 l/s	0,11 l	0,45 kg
6LUB12	3/4"	47 l/s	0,20 l	0,73 kg
8LUB12-A3	3/4"	83 l/s	0,30 l	0,96 kg
16LUB16-A3	1"	165 l/s	0,56 l	1,98 kg
<b>CONSTANT FEED</b>				
8LUB16C-A3	1"	165 l/s	0,30 l	0,96 kg
16LUB16C-A3	1"	165 l/s	0,56 l	1,98 kg



## HOSE NIPPLES



Hose Ø	1/4" BSP thread	3/8" BSP thread	1/2" BSP thread
Ø 6 mm	35006	---	---
Ø 7 mm	35007	35107	---
Ø 8 mm	35008	35108	36208
Ø 9 mm	35009	35109	---
Ø 10 mm	35010	35110F	---
Ø 11 mm	35011	---	36211
Ø 12 mm	---	36212	36220
Ø 13 mm	35013	35113	36213
Ø 16 mm	---	1816	36221
Ø 19 mm	---	1819	36222

## CLAW COUPLINGS - brass, 42 mm between grips

Working pressure 16 bar, temperature 80°C

	Thread / hose Ø	Nr kat	Waga
	1/4" BSP inside	XF-8	190 g
	3/8" BSP inside	XF-12	190 g
	1/2" BSP inside	XF-15	200 g
	3/4" BSP inside	XF-20	240 g
	1" BSP inside	XF-25	280 g
	1/4" BSP outside	XM-8	190 g
	3/8" BSP outside	XM-12	200 g
	1/2" BSP outside	XM-15	200 g
	3/4" BSP outside	XM-20	230 g
	1" BSP outside	XM-25	300 g
	1/4" " BSP outside	XM-33	390 g
	Ø 7 mm	X-7	190 g
	Ø 10 mm	X-10	210 g
	Ø 13 mm	X-13	230 g
	Ø 16 mm	X-16	240 g
	Ø 19 mm	X-19	250 g
	Ø 25 mm	X-25	270 g
	plug	XB-42	
100 pcs	spare rubber joints	4221	
10 pcs	spare joints up to 250°C	4220V	



BLD-1

BHD-45

Standard features: safety brake to prevent load dropping when the spring breaks (except BLD, BHR series & BMDS2); upper rotary hook suspension (on BIDS, BHD, BSD, BSDL); manual locking device with optional floor control device (BHD, BSD, BSDL).

Model	Capacity [kg]	Min.head room	Øx thickness [mm]	Weight [kg]
<b>LIGHT DUTY – stroke 1600 mm</b>				
BLD-1	0,4 – 1	258	Ø 109 x 55	0,6
BLD-2	1 – 2	258	Ø 109 x 55	0,6
BLD-3	2 – 3	258	Ø 109 x 55	0,7
<b>LIGHT DUTY - Ø 6,3 mm hose reel stroke 1300mm</b>				
BHR8	0,4 – 0,8	104	Ø 145 x 104	1,5
BHR15	0,7 – 1,5	104	Ø 145 x 104	1,5
BHR25	1,2 – 2,5	104	Ø 145 x 104	1,5
<b>MEDIUM – stroke 2000 mm</b>				
BMDS-2	1 – 2,5	274	Ø 149 x 85	2,0
BMDS-4	2 – 4	274	Ø 149 x 85	2,0
BMDS-6	4 – 6	274	Ø 149 x 85	2,3
BMDS-8	6 – 8	274	Ø 149 x 85	2,5
<b>MEDIUM – stroke 2500 mm</b>				
BMDL-4 <sup>1)</sup>	2 – 4	330	Ø 180 x 86	2,9
BMDL-6 <sup>1)</sup>	4 – 6	330	Ø 180 x 86	3,2
BMDL-8 <sup>1)</sup>	6 – 8	330	Ø 180 x 86	3,5
BMDL-10 <sup>1)</sup>	8 – 10	330	Ø 180 x 86	3,7
BMDL-12	10 - 14	330	Ø 180 x 86	4,0
<b>INTERMEDIATE DUTY – stroke 2000 mm</b>				
BIDS-14	10 – 14	580	Ø 240 x 150	7,5
BIDS-18	14 – 18	580	Ø 240 x 150	7,6
BIDS-22	18 – 22	580	Ø 240 x 150	7,7
BIDS-25	22 – 25	580	Ø 240 x 150	7,8
<b>HEAVY DUTY – stroke 2000 mm</b>				
BHD-15	10 – 15	580	Ø 250 x 220	10,3
BHD-20	15 – 20	580	Ø 250 x 220	10,6
BHD-25	20 – 25	580	Ø 250 x 220	11,2
BHD-30	25 – 30	580	Ø 250 x 220	11,5
BHD-35	30 – 35	580	Ø 250 x 220	11,8
BHD-45	35 – 45	580	Ø 250 x 220	12,4
BHD-55	45 – 55	580	Ø 250 x 220	12,5
BHD-65	55 – 65	580	Ø 250 x 220	13,6
<b>SUPER DUTY – stroke 2500 mm</b>				
BSD-20	15-20	660	Ø 290 x220	19,0
BSD-30	20-30	660	Ø 290 x220	19,8
BSD-40	30-40	660	Ø 290 x220	20,8
BSD-50	40-50	660	Ø 290 x220	23,9
BSD-60	50-60	660	Ø 290 x220	25,4
BSD-70	60-70	660	Ø 290 x 270	26,8
BSD-80	70-80	660	Ø 290 x 270	27,8
BSD-90	80-90	660	Ø 290 x 270	28,8
BSD-100	80-100	660	Ø 290 x 270	35,6
BSD-120	100-120	660	Ø 290 x 355	38,7
BSD-140	120-140	660	Ø 290 x 355	41,8
BSD-150	130-150	660	Ø 290 x 355	44,5
BSD-165	150-165	660	Ø 290 x 355	48,2
<b>SUPER DUTY – stroke 3000 mm</b>				
BSDL-20	15-20	660	Ø 290 x220	19,1
BSDL-25	20-25	660	Ø 290 x220	19,9
BSDL-35	25-35	660	Ø 290 x220	20,9
BSDL-45	35-45	660	Ø 290 x 270	23,8
BSDL-50	40-50	660	Ø 290 x 270	23,9
BSDL-60	50-60	660	Ø 290 x 270	25,3
BSDL-70	60-70	660	Ø 290 x 270	26,7
BSDL-80	70-80	660	Ø 290 x 270	28,0
BSDL-90	80-90	660	Ø 290 x 270	29,0
BSDL-100	80-100	660	Ø 290 x 270	36,8
BSDL-115	100-115	660	Ø 290 x 355	38,7
BSDL-130	115-130	660	Ø 290 x 355	39,9
BSDL-140	130-140	660	Ø 290 x 355	42,8
BSDL-150	140-150	660	Ø 290 x 355	45,6

<sup>1)</sup> – Available also with locking device (LL option).



# Impactool sockets



POWER SOCKET FOR ■ 3/8" DRIVE				
Standard	Dimensions	Extended	Dimensions	
6	S63M6	Ø11/19 x 30	----	
7	S63M7	Ø12,5/19 x 30	----	
8	S63M8	Ø13,8/19 x 30	S63M7L	Ø12,5/19 x 65
9	S63M9	Ø15/19 x 30	S63M8L	Ø13,8/19 x 65
10	S63M10	Ø16/19 x 30	S63M9L	Ø15/19 x 65
11	S63M11	Ø17,5/19 x 30	S63M10L	Ø16/19 x 65
12	S63M12	Ø19/19 x 30	S63M11L	Ø17,5/19 x 65
13	S63M13	Ø20/22 x 30	S63M12L	Ø19/19 x 65
14	S63M14	Ø21/22 x 30	S63M13L	Ø20/22 x 65
15	S63M15	Ø22/22 x 30	S63M14L	Ø21/22 x 65
16	S63M16	Ø24/22 x 30	S63M15L	Ø22/22 x 65
17	S63M17	Ø25/22 x 30	S63M16L	Ø24/22 x 65
18	S63M18	Ø26/22 x 30	S63M17L	Ø25/22 x 65
19	S63M19	Ø27,5/22 x 30	S63M18L	Ø26/22 x 65
20	S63M20	Ø28/22 x 30	S63M19L	Ø27,5/22 x 65
21	S63M21	Ø30/22 x 30	S63M20L	Ø28/22 x 65
22	S63M22	Ø32/22 x 30	S63M21L	Ø30/22 x 65
	S63M22L		Ø32/22 x 65	

POWER SOCKET FOR ■ 1/2"				
Standard	Dimensions	Extended	Dimensions	
8	S64M8	Ø15/25 x 38	S64M8L	Ø15/25 x 78
9	S64M9	Ø16/25 x 38	S64M9L	Ø16/25 x 78
10	S64M10	Ø17,5/25 x 38	S64M10L	Ø17,5/25 x 78
11	S64M11	Ø18,7/25 x 38	S64M11L	Ø18,7/25 x 78
12	S64M12	Ø20/25 x 38	S64M12L	Ø20/25 x 78
13	S64M13	Ø21/25 x 38	S64M13L	Ø21/25 x 78
14	S64M14	Ø22,5/25 x 38	S64M14L	Ø22,5/25 x 78
15	S64M15	Ø23,7/30 x 38	S64M15L	Ø23,7/30 x 78
16	S64M16	Ø25/30 x 38	S64M16L	Ø25/30 x 78
17	S64M17	Ø26/30 x 38	S64M17L	Ø26/30 x 78
18	S64M18	Ø27,5/30 x 38	S64M18L	Ø27,5/30 x 78
19	S64M19	Ø28,7/30 x 38	S64M19L	Ø28,7/30 x 78
20	S64M20	Ø30/30 x 38	S64M20L	Ø30/30 x 78
21	S64M21	Ø30/30 x 38	S64M21L	Ø30/30 x 78
22	S64M22	Ø32/30 x 38	S64M22L	Ø32/30 x 78
23	S64M23	Ø32/30 x 38	S64M23L	Ø32/30 x 78
24	S64M24	Ø35/30 x 38	S64M24L	Ø35/30 x 78
25	S64M25	Ø36/30 x 45	S64M25L	Ø36/30 x 78
26	S64M26	Ø38/30 x 45	S64M26L	Ø38/30 x 78
27	S64M27	Ø38,7/30 x 50	S64M27L	Ø38,7/30 x 78
28	S64M28	Ø40/30 x 50	S64M28L	Ø40/30 x 78
29	S64M29	Ø40/30 x 50	S64M29L	Ø40/30 x 78
30	S64M30	Ø42/30 x 50	S64M30L	Ø42/30 x 78
32	S64M32	Ø44/30 x 50	S64M32L	Ø44/30 x 78
33	S64M33	Ø45/30 x 50	S64M33L	Ø45/30 x 78
36	S64M36	Ø49/30 x 50	S64M36L	Ø49/30 x 78

POWER SOCKET FOR ■ 3/4" DRIVE				
Standard	Dimensions	Extended	Dimensions	
17	S66M17	Ø31/44 x 50	S66M17L	Ø31/44 x 95
19	S66M19	Ø33/44 x 50	S66M19L	Ø33/44 x 95
21	S66M21	Ø35/44 x 50	S66M21L	Ø35/44 x 95
22	S66M22	Ø37/44 x 50	S66M22L	Ø37/44 x 95
23	S66M23	Ø38/44 x 50	S66M23L	Ø38/44 x 95
24	S66M24	Ø39/44 x 50	S66M24L	Ø39/44 x 95
25	S66M25	Ø40/44 x 50	S66M25L	Ø40/44 x 95
26	S66M26	Ø41/44 x 50	S66M26L	Ø41/44 x 95
27	S66M27	Ø43/44 x 54	S66M27L	Ø43/44 x 95
28	S66M28	Ø44/44 x 54	S66M28L	Ø44/44 x 95
29	S66M29	Ø45/44 x 54	S66M29L	Ø45/44 x 95
30	S66M30	Ø47/44 x 54	S66M30L	Ø47/44 x 95
31	S66M31	Ø48/44 x 56	S66M31L	Ø48/44 x 95
32	S66M32	Ø49/44 x 56	S66M32L	Ø49/44 x 95
33	S66M33	Ø51/44 x 56	S66M33L	Ø51/44 x 95
34	S66M34	Ø52/44 x 56	S66M34L	Ø52/44 x 95
35	S66M35	Ø53/44 x 56	S66M35L	Ø53/44 x 95
36	S66M36	Ø54/44 x 56	S66M36L	Ø54/44 x 95
38	S66M38	Ø57/44 x 58	S66M38L	Ø57/44 x 95
40	S66M40	Ø58/44 x 58	S66M40L	Ø58/44 x 95
41	S66M41	Ø60/44 x 58	S66M41L	Ø60/44 x 95
42	S66M42	Ø62/44 x 58	S66M42L	Ø62/44 x 95
43	S66M43	Ø63/44 x 63	S66M43L	Ø63/44 x 95
46	S66M46	Ø67/44 x 63	S66M46L	Ø67/44 x 95
50	S66M50	Ø71/44 x 72	S66M50L	Ø67/44 x 95

POWER SOCKET FOR ■ 1" DRIVE				
Standard	Dimensions	Extended	Dimensions	
19	S68M19	Ø35,5/54 x 58	S68M19L	Ø35,5/54 x 100
21	S68M21	Ø37,5/54 x 58	S68M21L	Ø37,5/54 x 100
22	S68M22	Ø40/54 x 58	S68M22L	Ø40/54 x 100
23	S68M23	Ø41/54 x 58	S68M23L	Ø41/54 x 100
24	S68M24	Ø42/54 x 58	S68M24L	Ø42/54 x 100
25	S68M25	Ø43/54 x 58	S68M25L	Ø43/54 x 100
26	S68M26	Ø44,5/54 x 58	S68M26L	Ø44,5/54 x 100
27	S68M27	Ø46/54 x 58	S68M27L	Ø46/54 x 100
28	S68M28	Ø47/54 x 58	S68M28L	Ø47/54 x 100
29	S68M29	Ø48/54 x 60	S68M29L	Ø48/54 x 100
30	S68M30	Ø50/54 x 60	S68M30L	Ø50/54 x 100
32	S68M32	Ø52/54 x 60	S68M32L	Ø52/54 x 100
33	S68M33	Ø53/54 x 60	S68M33L	Ø53/54 x 100
35	S68M35	Ø55/54 x 62	S68M35L	Ø55/54 x 100
36	S68M36	Ø56/54 x 65	S68M36L	Ø56/54 x 100
38	S68M38	Ø59/54 x 65	S68M38L	Ø59/54 x 100
41	S68M41	Ø63/54 x 67	S68M41L	Ø63/54 x 100
42	S68M42	Ø64/54 x 74	S68M42L	Ø64/54 x 100
46	S68M46	Ø69/54 x 74	S68M46L	Ø69/54 x 100
50	S68M50	Ø74/54 x 80	S68M50L	Ø74/54 x 100
52	S68M52	Ø77/54 x 84	S68M52L	Ø77/54 x 100
55	S68M55	Ø80/54 x 84	S68M55L	Ø80/54 x 100
60	S68M60	Ø86/54 x 87	S68M60L	Ø86/54 x 120
65	S68M65	Ø92/54 x 90	S68M65L	Ø92/54 x 125
70	S68M70	Ø99/54 x 96	S68M70L	Ø99/54 x 125
75	S68M75	Ø104/54 x 98	S68M75L	Ø104/54 x 135
80	S68M80	Ø109/54 x 100	S68M80L	Ø109/54 x 135

POWER SOCKET FOR ■ 1 1/2" DRIVE				
Standard	Dimensions	Extended	Dimensions	
41	S612M41	Ø70/86 x 80	S612M41L	Ø72/86 x 115
42	S612M42	Ø71/86 x 80	----	----
46	S612M46	Ø76/86 x 84	S612M46L	Ø78/86 x 115
50	S612M50	Ø81/86 x 87	S612M50L	Ø81/86 x 135
54	S612M54	Ø86/86 x 90	----	----
55	S612M55	Ø86/86 x 90	----	----
60	S612M60	Ø93/86 x 92	S612M60L	Ø94/86 x 150
65	S612M65	Ø97/86 x 95	S612M65L	Ø100/86 x 150
70	S612M70	Ø105/86 x 100	S612M70L	Ø106/86 x 160
75	S612M75	Ø110/86 x 103	S612M75L	Ø112/86 x 170
80	S612M80	Ø116/86 x 110	S612M80L	Ø118/86 x 170
85	S612M85	Ø125/86 x 118	S612M85L	Ø125/86 x 170
90	S612M90	Ø130/86 x 118	----	----
95	S612M95	Ø137/95 x 118	----	----
100	S612M100	Ø140/95 x 125	----	----
105	S612M105	Ø150/95 x 125	----	----
110	S612M110	Ø156/95 x 125	----	----
115	S612M115	Ø160/95 x 135	----	----

POWER SOCKET FOR ■ 2 1/2" DRIVE					
Standard	Dimensions	Hex	Extended	Dimensions	
75	S622M75	Ø118/127x140	105	S622M105	Ø155/127x155
80	S622M80	Ø124/127x140	110	S622M110	Ø161/127x160
85	S622M85	Ø130/127x140	115	S622M115	Ø167/127x165
90	S622M90	Ø136/127x145	120	S622M120	Ø176/127x170
95	S622M95	Ø143/127x145	125	S622M125	Ø181/127x175
100	S622M100	Ø149/127x150	130	S622M130	Ø188/127x175



UNIVERSAL POWER JOINTS		
Square drive	Part no.	Dimensions
3/8"	J3	Ø24 x 50
1/2"	J4	Ø32 x 60
3/4"	J6	Ø44 x 105
1"	J8	Ø54 x 133
1 1/2"	J12	Ø86 x 182

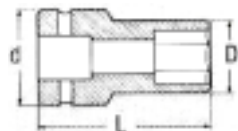
POWER DRIVER EXTENSIONS			
Square drive	Part no.	Ø	Length
3/8"	E375MM	19	75
3/8"	E3125MM	19	150
3/8"	E3250MM	19	250
1/2"	E475MM	25	75
1/2"	E4125MM	25	125
1/2"	E4250MM	25	250
3/4"	E6175MM	44	175
3/4"	E6250MM	44	250
3/4"	E630MM	44	330
1"	E8175MM	54	175
1"	E8250MM	54	250
1"	E830MM	54	330
1 1/2"	E12125MM	86	125
1 1/2"	E12250MM	86	250
1 1/2"	E12500MM	86	500



POWER SOCKET ADAPTERS				
Female square	Male square	Part no.	Ø	Length
1/4"	3/8"	A2F3M	13,6	26
3/8"	1/4"	A3F2M	22	32
3/8"	1/2"	A3F4M	22	36
1/2"	3/8"	A4F3M	25	38
1/2"	3/4"	A4F6M	30	48
3/4"	1/2"	A6F4M	44	56
3/4"	1"	A6F8M	44	63
1"	3/4"	A8F6M	54	75
1"	1 1/2"	A8F12M	54	90
1 1/2"	1"	A12F8M	86	100
2 1/2"	1 1/2"	A22F12M	127	138



SOCKET RETAINER RINGS			
Part no.	Øinside	Remarks	For socket sq. drive
RR10003	19	10 pcs	3/8"
RR10005	22	10 pcs	3/8"
RR10006	24	10 pcs	3/8"
RR10007	25	10 pcs	1/2"
RR10008	29	10 pcs	1/2"
RR10008	44,5	1 pcs	3/4"
RR10015	54-57	1 pcs	1"
RR10025	86	1 pcs	1 1/2"
RR10030	98,5	1 pcs	1 1/2"



THIN WALL SOCKETS FOR ■ 1" DRIVE				
Part no.	D	d	L	
24	S6T8M24L	38	54	100
27	S6T8M27L	42,5	54	100
30	S6T8M30L	45	54	100
32	S6T8M32L	47	54	100
33	S6T8M33L	49	54	100
36	S6T8M36L	52	54	100

Inch sized sockets, other sockets dimensions, 12-point sockets and sockets for 3 1/2" square drive on request.