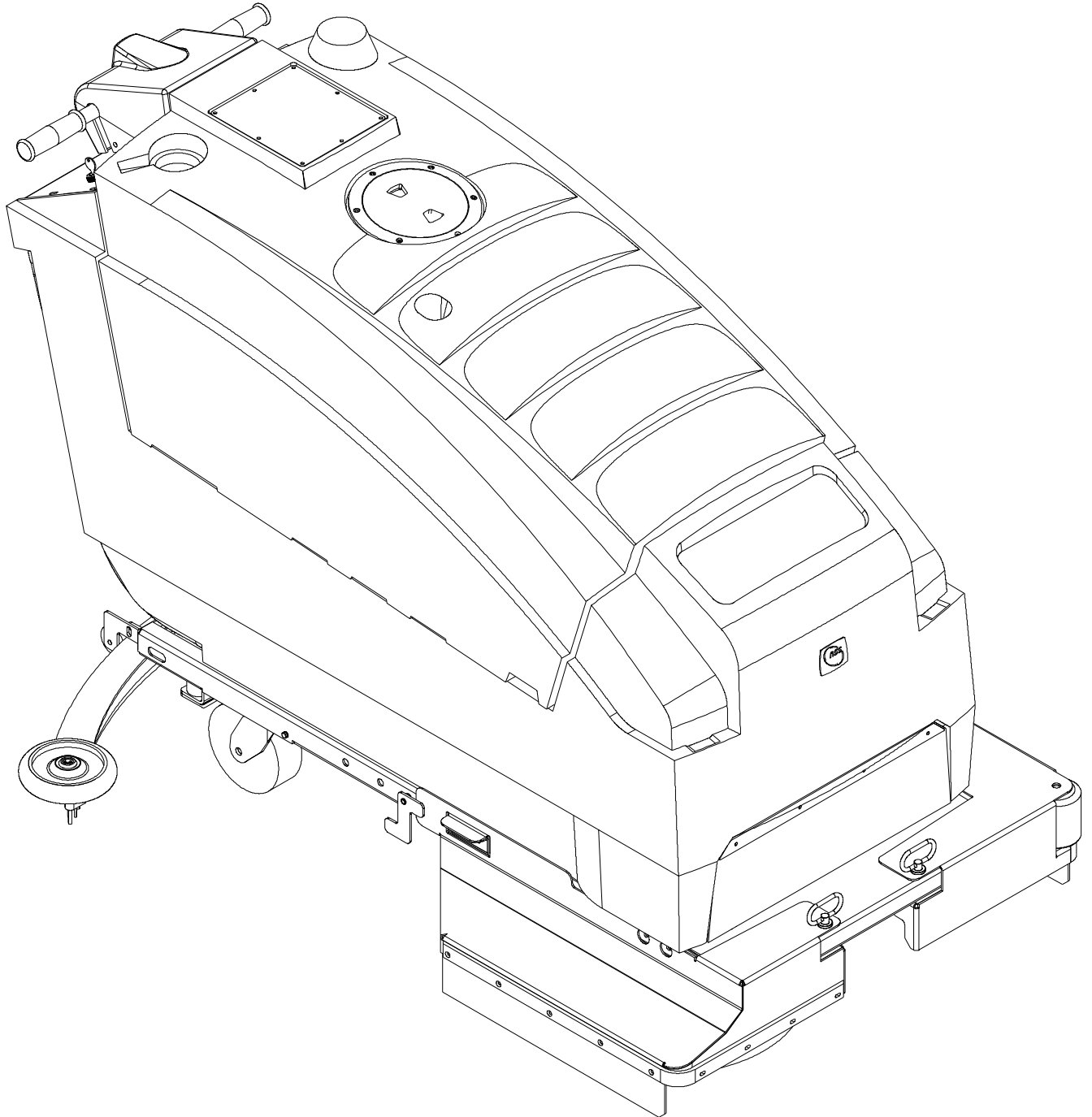


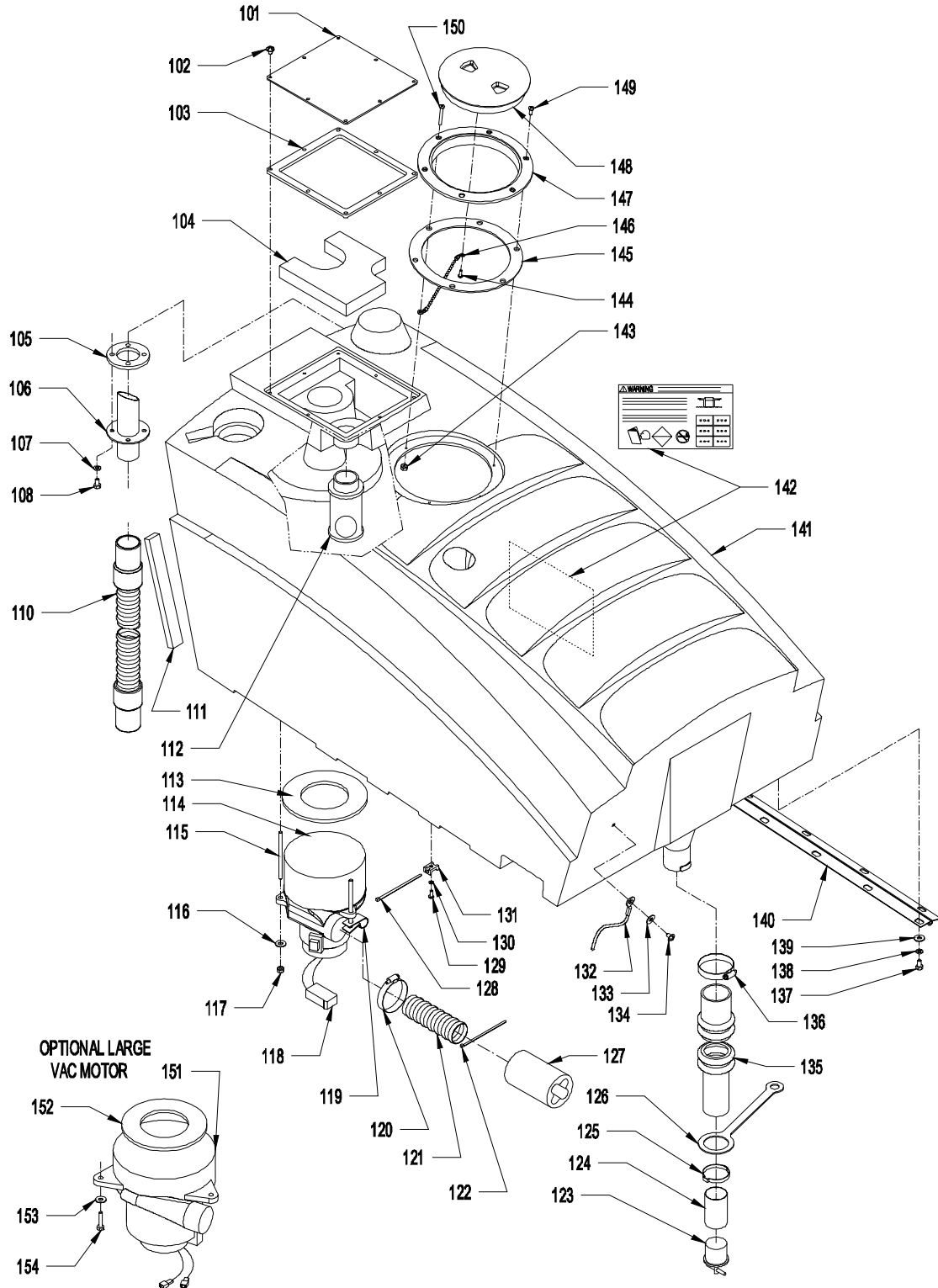
PARTS LIST
WRANGLER 2730 & 3330



RECOVERY TANK ASSEMBLY

ITEM	PART NO.	DESCRIPTION	QTY
101	3392051	TOP PLATE	1
102	9120500	10-24 X 3/8 TRUSS HEAD PHILLIPS SCREW	8
103	3392061	GASKET, TOP PLATE	1
104	3392041	FILTER, VAC MOTOR INTAKE	1
105	3392081	GASKET, INLET VAC TUBE	1
106	3392071	INLET VAC TUBE	1
107	9120880	1/4 SPLIT LOCK WASHER	4
108	9121170	1/4-20 X 1/2 HEX BOLT	4
110	2690591	SQUEEGEE VAC HOSE WITH CUFFS	1
111	3393040	GASKET - .75" X 1" [50" LONG]	1
112	2391541	FLOAT SCREEN	1
113	2490561	GASKET, VAC MOTOR	1
114	3393361	VAC MOTOR WITH MALE PLUG - INCLUDES:	1
	2792571	CARBON BRUSH	2
115	9121363	1/4-20 X 4 1/2 LONG FULL THREADED STUD	3
116	9120930	9/32 I.D. X 5/8 O.D. X .051/.080 THICK SAE FLAT WASHER (1/4)	3
117	9120900	1/4-20 HEX NUT WITH NY-LOK INSERT	3
118	3393469	OB KIT, MALE PLUG CONNECTOR-VAC MOTOR (INCLUDES THE FOLLOWING)	1
118A	3393371	MALE PLUG CONNECTOR	1
118B	3393381	MALE TERMINAL	1
118C	3393321	CABLE SEAL	2
118D	3393331	TERMINAL LOCATOR	1
119	3291111	CORD CLAMP	1
120	4495441	HOSE CLAMP, 1 9/16" TO 2 1/2" DIAMETER	1
121	3392561	VAC EXHAUST HOSE	1
122	9123000	1/8 X 11" WIRE TIE	1
123	2795621	DRAIN PLUG	1
124	2391661	HOSE TUBE	1
125	2392161	TUBE HOSE CLAMP	2
126	2791881	PLUG STRAP	1
127	7691261	EXHAUST MUFFLER TUBE	1
128	9123000	1/8 X 11" WIRE TIE	2
129	9120510	10-24 X 1/2 TRUSS HEAD PHILLIPS MACHINE SCREW	2
130	9120330	#10 EXTERNAL STAR LOCK WASHER	2
131	2397671	CLIP, TIE STRAP	2
132	2690961	STRAP, RECOVERY TANK	1
133	9120930	9/32 I.D. X 5/8 O.D. X .051/.080 THICK SAE FLAT WASHER (1/4)	1
134	9120990	1/4-20 X 3/8 TRUSS HEAD PHILLIPS MACHINE SCREW	1
135	2691121	DRAIN HOSE	1
136	4495441	HOSE CLAMP, 1 9/16" TO 2 1/2" DIAMETER	1
137	9121170	1/4-20 X 1/2 HEX BOLT	13
138	9120880	1/4 SPLIT LOCK WASHER	13
139	9120940	5/16 I.D. X 3/4 O.D. X .051/.080 THICK WROUGHT WASHER (1/4)	13
140	2691071	HINGE	1
141	3392011	RECOVERY TANK	1
142	3392811	BATTERY WARNING DECAL	1
143	9120360	10-24 HEX NUT WITH STAR LOCK WASHER	1
	2690889	RECOVERY TANK LID ASSEMBLY - INCLUDES:	1
145	2690891	RECOVERY TANK LID GASKET	1
	2690881	RECOVERY TANK LID ASSEMBLY - ALSO INCLUDES:	1
144	9120205	#8 X 1/2 PAN HEAD PHILLIPS SHEET METAL SCREW	1
146	2690931	LID CHAIN	1
147	2690921	BLACK RING	1
148	2690911	LID CLEAR	1
149	9120790	10 X 5/8 PAN HEAD PHILLIPS SHEET METAL SCREW	5
150	9120460	10-24 X 1 1/4" ROUND HEAD PHILLIPS MACHINE SCREW	1

RECOVERY TANK ASSEMBLY

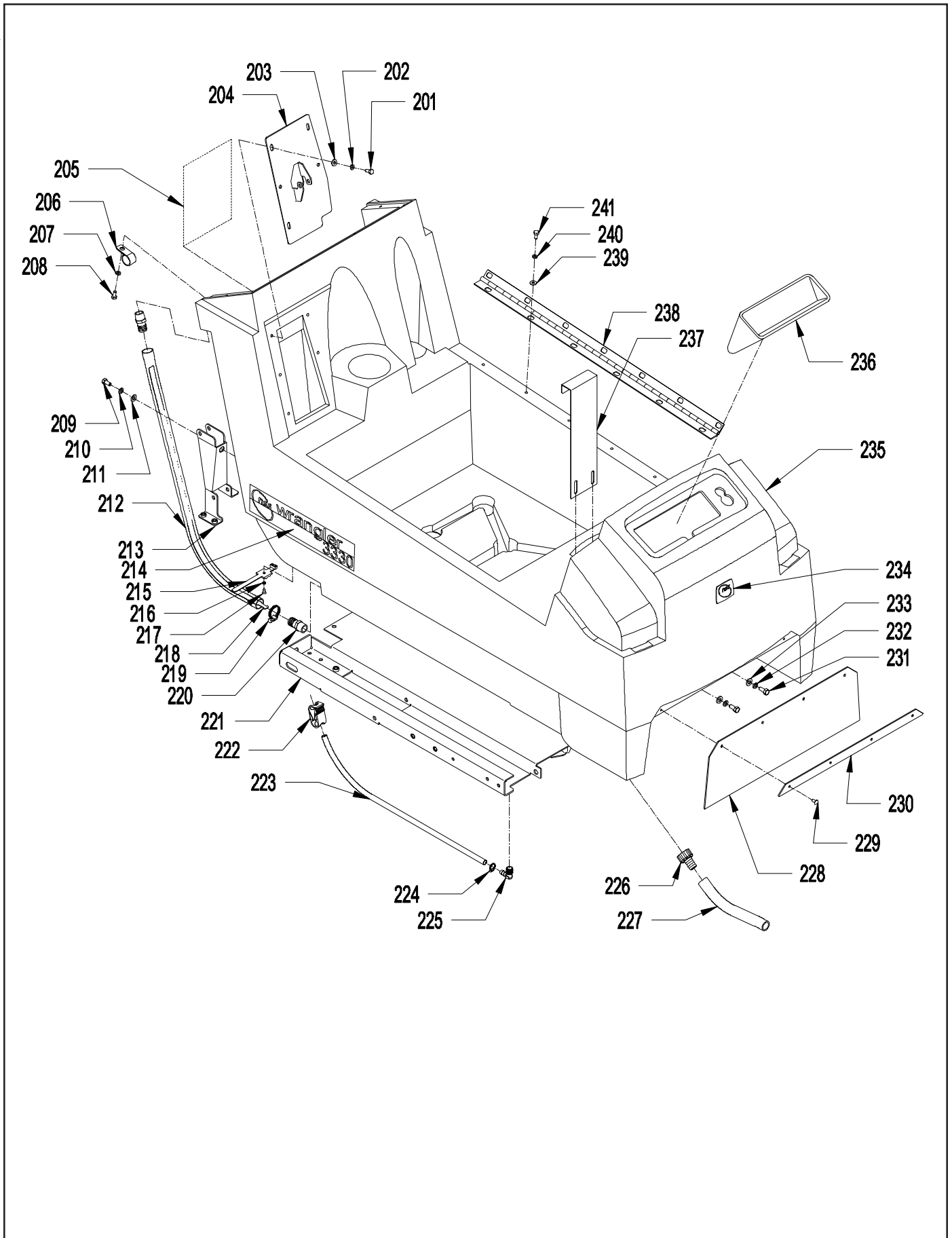


ITEM	PART NO.	DESCRIPTION	QTY
151	3393219	1 H.P. VAC MOTOR KIT - OPTIONAL LARGE VAC MOTOR - INCLUDES:	1
	7693851	1 H.P. VAC MOTOR	1
	7694031	CARBON BRUSH	2
152	2490561	GASKET, VAC MOTOR	1
	3393161	INSTRUCTIONS 1 H.P. VAC MOTOR KIT	1
153	9120930	9/32 I.D. X 5/8 O.D. X .051/.080 THICK SAE FLAT WASHER (1/4)	3
154	9121270	1/4-20 X 1 HEX BOLT	3

SOLUTION TANK ASSEMBLY

ITEM	PART NO.	DESCRIPTION	QTY.
201	9121210	1/4-20 X 5/8 HEX BOLT	5
202	9120880	1/4 SPLIT LOCK WASHER	5
203	9120930	9/32 I.D. X 5/8 O.D. X .051/.080 THICK SAE FLAT WASHER (1/4)	5
204	3392241	BRUSH LIFT HANDLE MOUNT	1
205	3392781	DECAL WIRING DIAGRAM	1
206	2395761	CLAMP, TUBE	1
207	9120880	1/4 SPLIT LOCK WASHER	1
208	9121170	1/4-20 X 1/2 HEX BOLT	1
209	9121600	5/16-18 X 5/8 HEX BOLT	1
210	9121520	5/16 SPLIT LOCK WASHER	1
211	9121390	11/32 I.D. X 11/16 O.D. X .051/.080 THICK SAE FLAT WASHER (5/16)	1
212	8791030	VINYL HOSE, 3/4" ID X 1" O.D. [30" LONG]	1
213	3392251	BRUSHACTUATOR BRACKET	1
214	3392091	SIDE DECAL - 2730	2
	3392101	SIDE DECAL - 3330	2
215	2397271	UNIVERSAL MOUNTING STRAP	1
216	9120330	#10 EXTERNAL STAR LOCK WASHER	1
217	9120540	10-24 X 1/2 FLAT HEAD PHILLIPS MACHINE SCREW	1
218	3392681	SIGHT GAUGE	1
219	2392141	HOSE CLAMP, 11/16" TO 1 1/4" DIAMETER	1
220	2691731	SOLUTION TANK DRAIN FITTING	2
221	3392301	FRAME	1
222	3390661	TUBING CONTROL VALVE	1
223	8791070	VINYL HOSE, 3/8" ID X 1/2" OD [29" LONG]	1
224	2392481	HOSE CLAMP, 7/32" TO 5/8" DIAMETER	1
225	2490601	FITTING, ELBOW 3/8 BARB X 1/4 NPT - POLY BLACK	1
226	2690251	FILTER FITTING HOSE BARB AND COLLAR	1
227	8791180	1/2 I.D. X 3/4 O.D. VINYL TUBING [10" LONG]	1
228	3392631	FRONT CONCEALMENT FLAP	1
229	9120510	10-24 X 1/2 TRUSS HEAD PHILLIPS MACHINE SCREW	4
230	3392641	STRAP, FRONT CONCEALMENT FLAP	1
231	9121640	5/16-18 X 3/4 HEX BOLT	2
232	9121520	5/16 SPLIT LOCK WASHER	2
233	9121390	11/32 I.D. X 11/16 O.D. X .051/.080 THICK SAE FLAT WASHER (5/16)	2
234	7690931	NSS LOGO DECAL	1
235	3392001	SOLUTION TANK	1
236	7691249	FILTER SCREEN ASSEMBLY - INCLUDES:	1
	7691231	FILTER SCREEN BAG FRAME	1
	4891311	FILTER SCREEN BAG	1
237	3393011	FRONT TANK TIE DOWN STRAP	1
238	2691071	HINGE, RECOVERY TANK	1
239	9120940	5/16 I.D. X 3/4 O.D. X .051/.080 THICK WROUGHT WASHER (1/4)	13
240	9120880	1/4 SPLIT LOCK WASHER	13
241	9121170	1/4-20 X 1/2 HEX BOLT	13

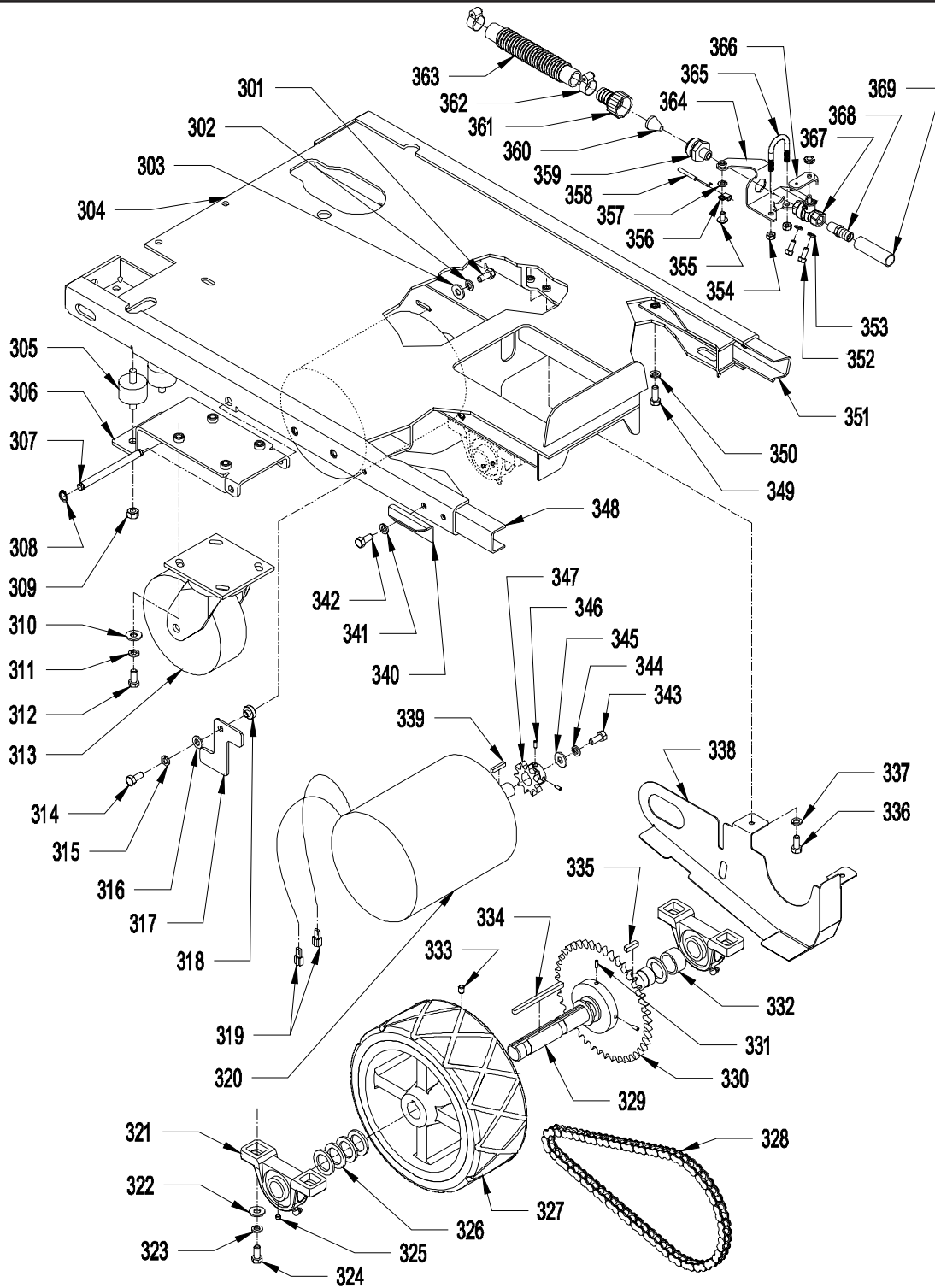
SOLUTION TANK ASSEMBLY



FRAME & DRIVE WHEEL ASSEMBLY

<u>ITEM</u>	<u>PART NO.</u>	<u>DESCRIPTION</u>	<u>QTY.</u>
301	9121250	1/4-20 X 3/4 HEX BOLT WITH NYLON PATCH	4
302	9120880	1/4 SPLIT LOCK WASHER	4
303	9120930	9/32 I.D. X 5/8 O.D. X .051/.080 THICK SAE FLAT WASHER (1/4)	4
304	3392301	FRAME	1
305	2691391	VIBRATION MOUNT, CASTER BRACKET	4
306	3392521	CASTER MOUNT	2
307	3392541	BUMPER WHEEL PIN / CASTER MOUNT	2
308	5091701	RETAINING RING	4
309	9122140	3/8-16 HEX NUT WITH NY-LOK INSERT	4
310	9121980	7/16 I.D. X 1 O.D. X .075/.080 THICK SAE FLAT WASHER (3/8)	8
311	9122100	3/8 SPLIT LOCK WASHER	8
312	9122220	3/8-16 X 3/4 HEX BOLT	8
313	3392591	CASTER 6 X 2 - RED	2
	3392601	RED CASTER WHEEL - ONLY	2
314	9121270	1/4-20 X 1 HEX BOLT	2
315	9120880	1/4 SPLIT LOCK WASHER	2
316	9120930	9/32 I.D. X 5/8 O.D. X .051/.080 THICK SAE FLAT WASHER (1/4)	2
317	2490651	SKIRT LATCH	2
318	2691771	SKIRT LATCH PIN	2
319	2690581	1/4 SPADE MALE TERMINAL 10-12 GA. YELLOW	2
320	2790101	DRIVE MOTOR 36 VOLT	1
321	2691241	PILLOW BLOCK BEARING - INCLUDES:	2
325	9120840	1/4-20 X 3/16 SET SCREW - KNURL POINT	4
322	9121980	7/16 I.D. X 1 O.D. X .075/.080 THICK SAE FLAT WASHER (3/8)	4
323	9122100	3/8 SPLIT LOCK WASHER	4
324	9122300	3/8-16 X 1 1/4 HEX BOLT	4
326	6590521	1 I.D. X 1.5 O.D. X .13 THICK FLAT WASHER - 10 GAGE	7
327	3392031	10" DRIVE WHEEL	1
328	3392949	#40 ROLLER CHAIN - 63 LINKS + MASTER LINK - INCLUDES:	1
	3392931	#40 ROLLER CHAIN - 63 LINKS - NO MASTER LINK	1
	2795211	MASTER LINK #40 CHAIN, NICKEL PLATED	1
329	3392571	DRIVE AXLE	1
330	3392581	DRIVEN SPROCKET 43 TEETH - INCLUDES:	1
331	9120850	1/4-20 X 5/16 SET SCREW - KNURL POINT	2
332	2692271	DRIVE WHEEL SPACER 1" I.D. X .6875	1
333	9121380	5/16-18 X 3/8 SET SCREW - KNURL POINT	
334	9121317	1/4 SQUARE X 3 3/4 LONG KEY	1
335	9121310	1/4 SQUARE X 7/8 LONG KEY - STEEL	1
336	9121210	1/4-20 X 5/8 HEX BOLT	2
337	9120880	1/4 SPLIT LOCK WASHER	2
338	3392411	CHAIN GUARD	1
339	2792681	1/4" X 1/4" X 1" MOTOR KEY	1
340	3392491	SKIRT SUPPORT	2
341	9121520	5/16 SPLIT LOCK WASHER	4
342	9121640	5/16-18 X 3/4 HEX BOLT	4
343	9121640	5/16-18 X 3/4 HEX BOLT	1
344	9121520	5/16 SPLIT LOCK WASHER	1
345	9121400	3/8 I.D. X 7/8 O.D. X .064/.104 THICK WROUGHT WASHER (5/16)	1
347	2695011	DRIVE SPROCKET, MOTOR WITH SET SCREW - INCLUDES:	1
346	9120850	1/4-20 X 5/16 SET SCREW - KNURL POINT	2
348	3393023	FRAME CHANNEL, RIGHT SIDE	1
349	9121600	5/16-18 X 5/8 HEX BOLT	2
350	9121520	5/16 SPLIT LOCK WASHER	2
351	3393033	FRAME CHANNEL, LEFT SIDE	1
352	9121210	1/4-20 X 5/8 HEX BOLT	2
353	9120880	1/4 SPLIT LOCK WASHER	2
354	9120910	1/4-20 HEX NUT WITH STAR LOCK WASHER	2
355	9121090	1/4-20 X 1/2 TRUSS HEAD PHILLIPS MACHINE SCREW	1
356	7691061	CONDUIT CLAMP	1
357	9120970	1/4 EXTERNAL STAR LOCK WASHER	1
358	7691051	SOLUTION LEVER AND CABLE ASSEMBLY	1
359	2690232	FILTER FITTING VALVE	1

FRAME & DRIVE WHEEL ASSEMBLY

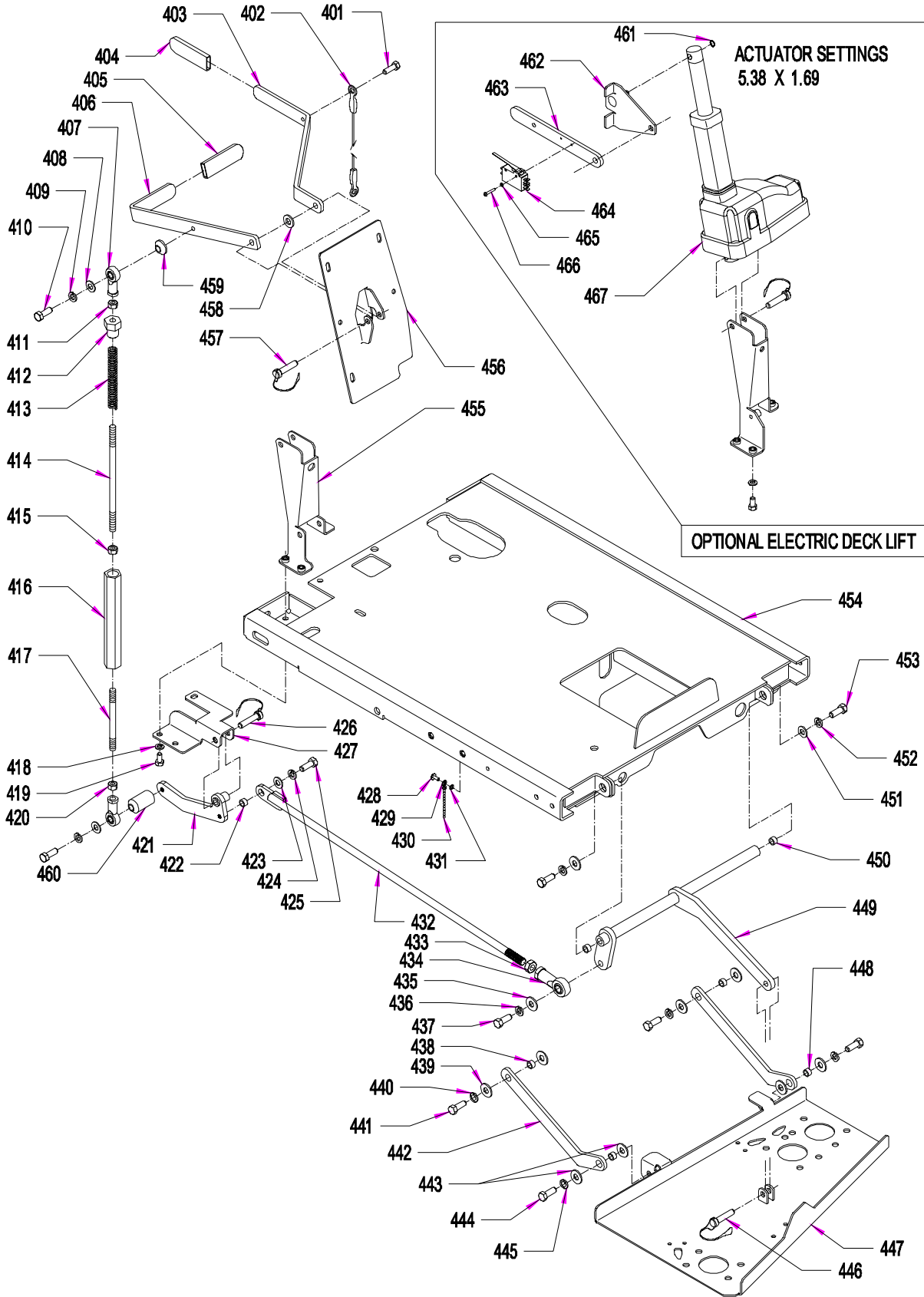


ITEM	PART NO.	DESCRIPTION	QTY.
360	2690241	SCREEN FILTER	1
361	7693771	FILTER FITTING, 3/4" HOSE BARB	1
362	7693811	HOSE CLAMP - 9/16" TO 1 1/16"	2
363	7693781	6.5 X 3/4 CONVOLUTED TUBING	1
364	3393131	SOLUTION VALVE BRACKET	1
365	9123140	1/4-20 X 1 3/4 X 1 3/4 "U" BOLT	1
366	7691041	VALVE LEVER	1
367	1391531	SOLUTION VALVE	1
368	2495161	FITTING, 1/2 HOSE BARB X 1/4 MNPT	1
369	8791180	1/2 X 3/4 VINYL TUBING [28" LONG]	1

BRUSH DECK LIFT ASSEMBLY

ITEM	PART NO.	DESCRIPTION	QTY.
401	9122020	3/8 X 3/8 SOCKET HEAD SHOULDER BOLT (5/16-18)	1
402	3392141	SQUEEGEE LIFT CABLE	1
403	3392121	SQUEEGEE LIFT HANDLE	1
404	3393001	SQUEEGEE LIFT HANDLE GRIP	1
405	2690981	LIFT HANDLE GRIP	1
406	3392171	BRUSH LIFT HANDLE	1
407	4490531	3/8" ROD END	2
408	9121980	7/16 I.D. X 1 O.D. X .075/.080 THICK SAE FLAT WASHER (3/8)	2
409	9122100	3/8 SPLIT LOCK WASHER	2
410	9122260	3/8-16 X 1 HEX BOLT	2
411	9122010	3/8-24 HEX NUT	1
412	2691831	SPRING, HOUSING RETAINER	1
413	3392401	SPRING BRUSH LIFT	1
414	2397581	LIFT ROD 13"	1
415	9122140	3/8-16 HEX NUT WITH NY-LOK INSERT	1
416	3392181	SPRING HOUSING BRUSH LIFT	1
417	2691811	SHORT LIFT ROD	1
418	9121520	5/16 SPLIT LOCK WASHER	3
419	9121640	5/16-18 X 3/4 HEX BOLT	3
420	9122010	3/8-24 HEX NUT	1
421	3393411	BRUSH LIFT PIVOT ARM	1
422	2691181	PIVOT SPACER, STABILIZER BAR	1
423	9121980	7/16 I.D. X 1 O.D. X .075/.080 THICK SAE FLAT WASHER (3/8)	1
424	9122100	3/8 SPLIT LOCK WASHER	1
425	9122220	3/8-16 X 3/4 HEX HEAD BOLT	1
426	9121950	3/8 X 1 5/8 CLEVIS PIN - STEEL - ZINC PLATE (WITH RETAINER)	1
427	3393421	BRUSH LIFT PIVOT BRACKET	1
428	9120510	10-24 X 1/2 TRUSS HEAD PHILLIPS MACHINE SCREW	1
429	6491871	END COUPLING ROUND BEAD CHAIN	1
430	6491860	ROUND BEAD CHAIN (CUT TO 3")	1
431	9120330	#10 EXTERNAL STAR LOCK WASHER	1
432	3393401	BRUSH LIFT ROD	1
433	9122680	1/2 13 HEX JAM NUT	1
434	2391941	BALL JOINT	1
435	9122450	17/32 I.D. X 1 1/16 O.D. X .074/.121 THICK SAE FLAT WASHER (1/2)	2
436	9122420	1/2 SPLIT LOCK WASHER	2
437	9122540	1/2-13 X 1 1/4 HEX BOLT	2
438	2691181	PIVOT SPACER, STABILIZER BAR	2
439	9121980	7/16 I.D. X 1 O.D. X .075/.080 THICK SAE FLAT WASHER (3/8)	4
440	9122100	3/8 SPLIT LOCK WASHER	2
441	9122260	3/8-16 X 1 HEX BOLT	2
442	3392211	BRUSH DECK ARM	2
443	9121980	7/16 I.D. X 1 O.D. X .075/.080 THICK SAE FLAT WASHER (3/8)	4
444	9122260	3/8-16 X 1 HEX BOLT	2
445	9122100	3/8 SPLIT LOCK WASHER	2
446	9121950	3/8 X 1 5/8 CLEVIS PIN - STEEL - ZINC PLATE (WITH RETAINER)	1
447	3392233	BRUSH DECK	1
448	2691181	PIVOT SPACER, STABILIZER BAR	2
449	3392191	BRUSH LIFT SHAFT FRONT	1
450	2790751	BUSHING SPACER	2
451	9122450	17/32 I.D. X 1 1/16 O.D. X .074/.121 THICK SAE FLAT WASHER (1/2)	2
452	9122420	1/2 SPLIT LOCK WASHER	2
453	9122540	1/2-13 X 1 1/4 HEX BOLT	2
454	3392301	FRAME	1
455	3392251	BRUSH ACTUATOR BRACKET	1
456	3392241	BRUSH LIFT HANDLE MOUNT	1
457	9121950	3/8 X 1 5/8 CLEVIS PIN - STEEL - ZINC PLATE (WITH RETAINER)	1
458	9122470	9/16 I.D. X 1 3/8 O.D. X .086/.132 THICK WROUGHT WASHER (1/2)	1
459	3393391	SPACER, UPPER ACTUATOR - OPTIONAL ELECTRIC DECK LIFT	1
460	3393351	SPACER, LOWER ACTUATOR - OPTIONAL ELECTRIC DECK LIFT	1
461	1391261	3/8 RETAINING RING	1
462	3392271	BRUSH ACTUATOR STOP ARM	1
463	3392261	BRUSH ACTUATOR SWITCH ARM	1
464	4991271	LIMIT SWITCH	1
465	9120130	#6 EXTERNAL STAR LOCK WASHER	2

BRUSH DECK LIFT ASSEMBLY

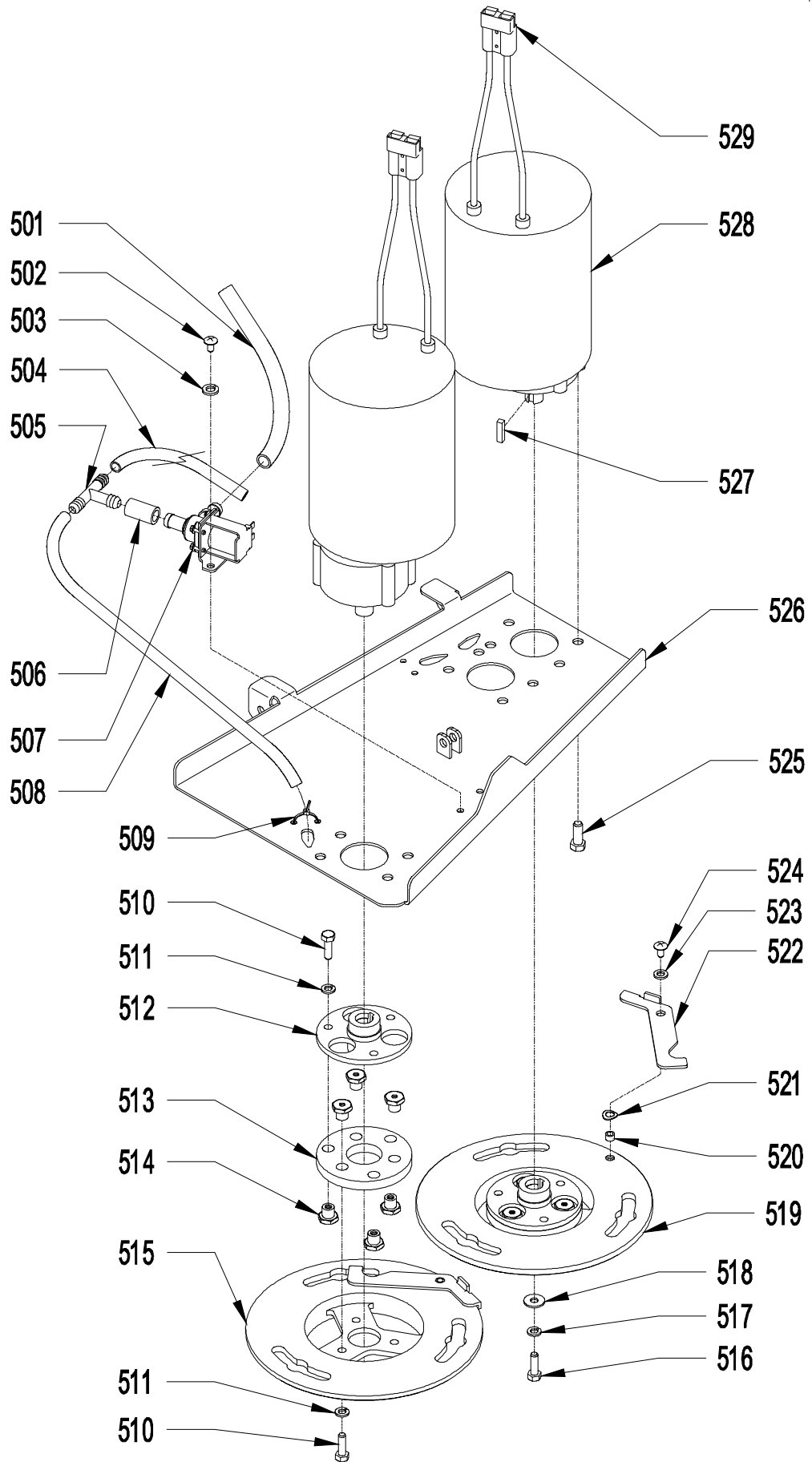


ITEM	PART NO.	DESCRIPTION	QTY.
466	9120090	6-32 X 7/8 PAN HEAD PHILLIPS MACHINE SCREW	2
467	7690541	BRUSH/SQUEEGEE ACTUATOR MOTOR	1

BRUSH MOTOR ASSEMBLY

ITEM	PART NO.	DESCRIPTION	QTY.
501	8791180	1/2 X 3/4 VINYL TUBING [28" LONG]	1
502	9121090	1/4-20 X 1/2 TRUSS HEAD PHILLIPS MACHINE SCREW	2
503	9120880	1/4 SPLIT LOCK WASHER	2
504	8791070	VINYL HOSE, 3/8" I.D. X 1/2" O.D. [11" FOR WRANGLER 3330 & 9.5" FOR WRANGLER 2730]	1
505	7691371	TEE 3/8" X 3/8" X 1/2"	1
506	8791180	1/2 X 3/4 VINYL TUBING [2" LONG]	1
507	7690521	SOLUTION SOLENOID VALVE	1
508	8791070	VINYL HOSE, 3/8" I.D. X 1/2" O.D. [7.5" LONG]	1
509	9123005	1/8" X 11" WIRE TIE	2
515	2699059	RIGHT DRIVE CASTING ASSEMBLY - INCLUDES:	1
	2698072	DRIVE CASTING	1
510	9121680	5/16-18 X 1 HEX BOLT	6
511	9121520	5/16 SPLIT LOCK WASHER	6
512	2698052	DRIVE HUB	1
513	2698061	RUBBER MOUNT	1
514	2698081	DRIVE LUG	6
520	2791281	BUSHING SPACER	1
521	9122120	3/8 I.D. X 5/8 O.D. X .031 THICK 1 WAVE SPRING WASHER (3/8)	1
522	2790211	BRUSH PLATE LATCH	1
523	9121390	11/32 I.D. X 11/16 O.D. X .051/.080 THICK SAE FLAT WASHER (5/16)	2
524	9121090	1/4-20 X 1/2 TRUSS HEAD PHILLIPS MACHINE SCREW	1
516	9121680	5/16-18 X 1 HEX BOLT	2
517	9121520	5/16 SPLIT LOCK WASHER	2
518	9121985	13/32 I.D. X 1 O.D. X .12 THICK FLAT WASHER (11 GAGE)	2
519	2699069	LEFT DRIVE CASTING ASSEMBLY - INCLUDES:	1
	2698072	DRIVE CASTING	1
510	9121680	5/16-18 X 1 HEX BOLT	6
511	9120520	5/16 SPLIT LOCK WASHER	6
512	2698052	DRIVE HUB	1
513	2698061	RUBBER MOUNT	1
514	2698081	DRIVE LUG	6
520	2791281	BUSHING SPACER	1
521	9122120	3/8 I.D. X 5/8 O.D. X .031 THICK 1 WAVE SPRING WASHER (3/8)	1
522	2790211	BRUSH PLATE LATCH	1
523	9121390	11/32 I.D. X 11/16 O.D. X .051/.080 THICK SAE FLAT WASHER (5/16)	2
524	9121090	1/4-20 X 1/2 TRUSS HEAD PHILLIPS MACHINE SCREW	1
525	9122200	3/8-16 X 3/4 HEX BOLT	8
526	3392233	BRUSH DECK	1
527	2792681	1/4" X 1/4" X 1" MOTOR KEY	2
528	2699179	BRUSH GEAR MOTOR ASSEMBLY - INCLUDES:	2
	3390771	BRUSH GEAR MOTOR	2
	3391081	CARBON BRUSH (REPLACEMENT PART)	4
529	2690471	ANDERSON CONNECTOR - ONLY [GREY]	2
	4490721	CONTACT PINS - ANDERSON [10-12 GAGE]	4

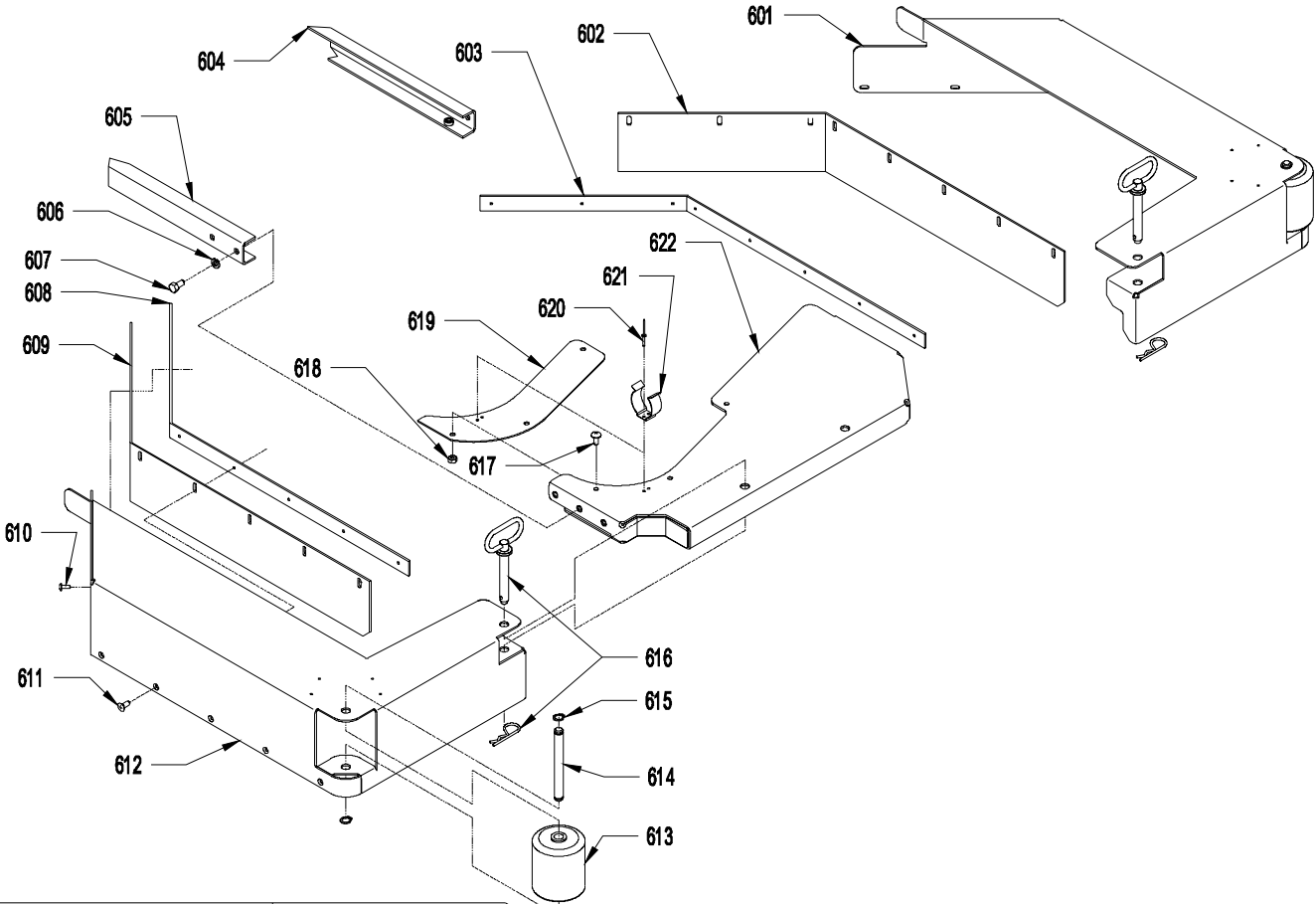
BRUSH MOTOR ASSEMBLY



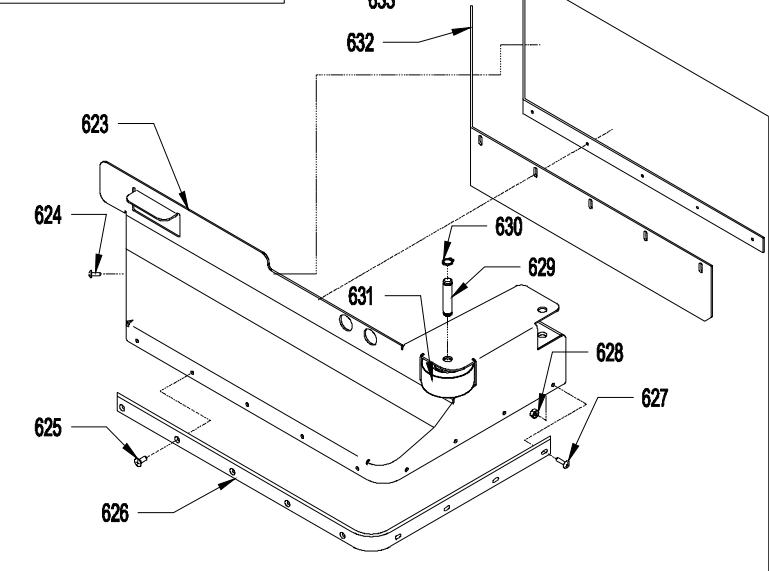
SKIRT ASSEMBLY

ITEM	PART NO.	DESCRIPTION	QTY.
<i>SIDE SKIRT ASSEMBLIES INCLUDE THE FOLLOWING PARTS:</i>			
610	9120500	10-24 X 3/8 TRUSS HEAD PHILLIPS MACHINE SCREW (Pack of 10)	1
611	9120540	10-24 X 1/2 FLAT HEAD PHILLIPS MACHINE SCREW (Pack of 10)	1
613	3392551	BUMPER WHEEL	1
614	3392541	CASTER MOUNT / BUMPER WHEEL PIN	1
615	5091701	RETAINING RING	2
616	2691491	PIN, SKIRT - WITH HAIRPIN	1
601	3392709	LEFT SIDE SKIRT ASSEMBLY [WRANGLER 2730] Also Includes:	1
	3392323	LEFT SIDE SKIRT [WRANGLER 2730]	1
602	3392331	LEFT WIPER [WRANGLER 2730]	1
603	3392341	LEFT WIPER STRAP [WRANGLER 2730]	1
601	3392739	LEFT SIDE SKIRT ASSEMBLY [WRANGLER 3330] Also Includes:	1
	3392423	LEFT SIDE SKIRT [WRANGLER 3330]	1
602	3392431	WIPER [WRANGLER 3330 - RIGHT AND LEFT SIDE]	1
603	3392441	WIPER STRAP [WRANGLER 3330 - RIGHT AND LEFT SIDE]	1
612	3392719	RIGHT SIDE SKIRT ASSEMBLY [WRANGLER 2730] Also Includes:	1
	3392353	RIGHT SIDE SKIRT [WRANGLER 2730]	1
608	3392371	RIGHT WIPER STRAP [WRANGLER 2730]	1
609	3392361	RIGHT WIPER [WRANGLER 2730]	1
612	3392749	RIGHT SIDE SKIRT ASSEMBLY [WRANGLER 3330] Also Includes:	1
	3392453	RIGHT SIDE SKIRT [WRANGLER 3330]	1
608	3392441	WIPER STRAP [WRANGLER 3330 - RIGHT AND LEFT SIDE]	1
609	3392431	WIPER [WRANGLER 3330 - RIGHT AND LEFT SIDE]	1
604	3393033	FRAME CHANNEL, LEFT SIDE	1
605	3393023	FRAME CHANNEL, RIGHT SIDE	1
606	9121520	5/16 SPLIT LOCK WASHER (Pack of 10)	1
607	9121600	5/16-18 X 5/8 HEX BOLT (Pack of 5)	1
617	9121000	1/4-20 X 5/8 TRUSS HD. PHILLIPS SCREW [WRANGLER 3330 ONLY] (Pack of 5)	1
618	9120900	1/4-20 HEX NUT WITH NY-LOK INSERT [WRANGLER 3330 ONLY] (Pack of 10)	1
619	3392921	BUMPER EXTENSION [WRANGLER 3330 ONLY]	1
620	2391751	POP RIVET 1/8" x 5/8"	2
621	2392131	SPRING CLIP, HOSE	1
622	3392393	BUMPER / SKIRT MOUNT	1
623	3392759	LOW PROFILE SKIRT ASSEMBLY [WRANGLER 3330]	1
	3392483	RIGHT LOW PROFILE SKIRT	1
624	9120500	10-24 X 3/8 TRUSS HEAD PHILLIPS MACHINE SCREW (Pack of 10)	1
625	9120550	10-24 X 5/8 FLAT HEAD PHILLIPS MACHINE SCREW (Pack of 10)	1
626	3392471	BUMPER, LOW PROFILE SKIRT [WRANGLER 3330]	1
627	9120510	10-24 X 1/2 TRUSS HEAD PHILLIPS MACHINE SCREW (Pack of 10)	1
628	9120350	10-24 HEX NUT WITH NY-LOK INSERT (Pack of 10)	1
629	2490311	AXLE, BUMPER WHEEL	1
630	5091701	RETAINING RING	2
631	2790281	3" BUMPER WHEEL	1
632	3392431	WIPER [WRANGLER 3330 - RIGHT AND LEFT SIDE]	1
633	3392441	WIPER STRAP [WRANGLER 3330 - RIGHT AND LEFT SIDE]	1
	3392809	HIGH-ROLLER KIT [WRANGLER 3330 OPTION 1 PER SKIRT]	
634	3392773	BRACKET ROLLER PIN [1 PER SKIRT - OPTIONAL]	1
635	5091701	RETAINING RING	2
636	9121600	5/16-18 X 5/8 HEX BOLT (Pack of 5)	1
637	9121520	5/16 SPLIT LOCK WASHER (Pack of 10)	1
638	9121420	5/16-18 HEX NUT (Pack of 10)	1
639	2691151	SKIRT, BUMPER WHEEL	1
640	3392651	BUMPER AXLE	1

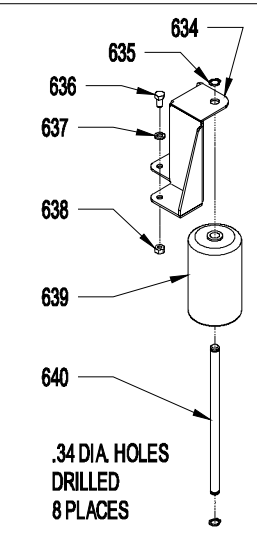
SKIRT ASSEMBLY



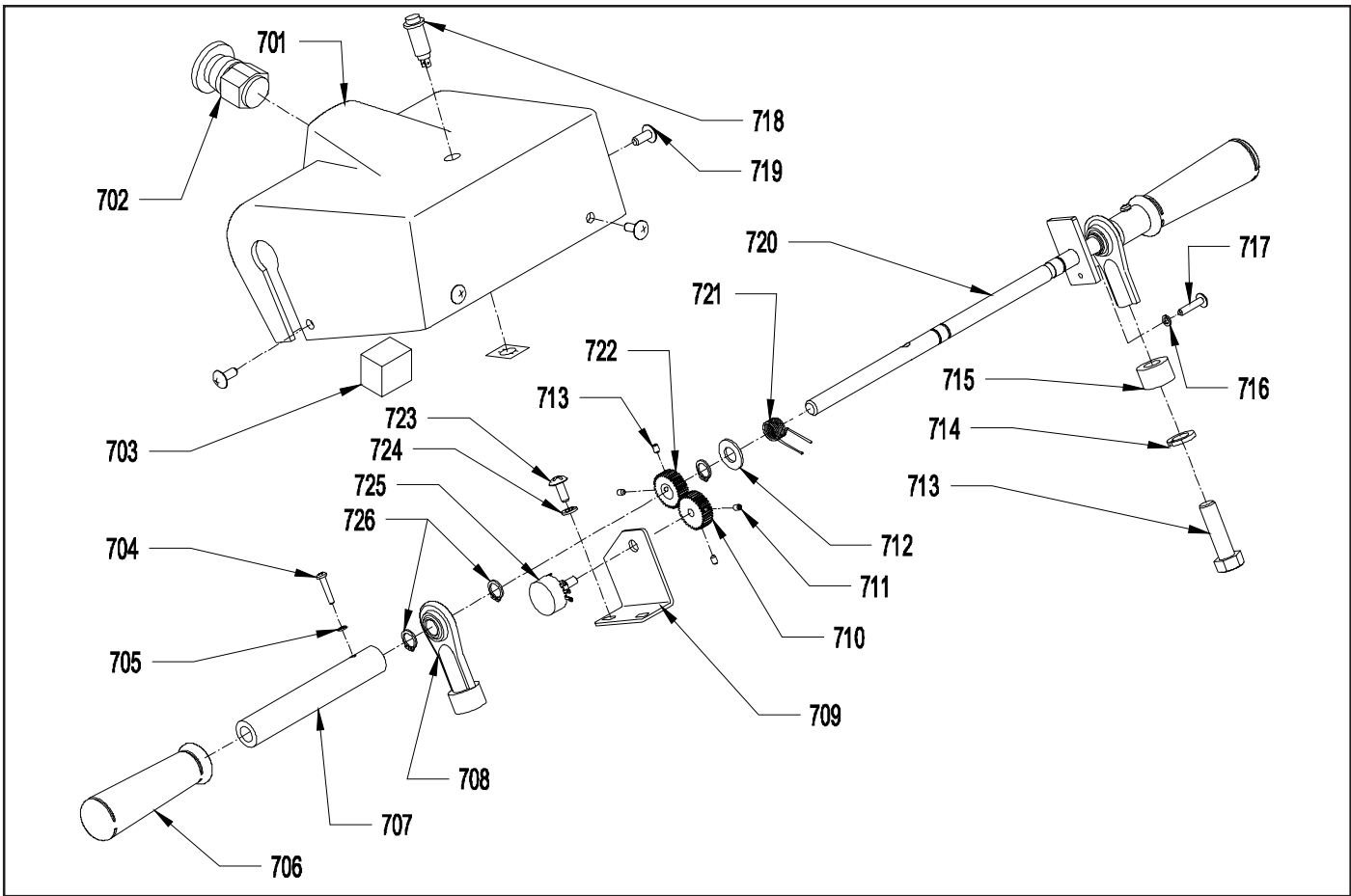
3330 LOW PROFILE SKIRT OPTION



3330 HIGH-ROLLER OPTION



HANDLE BAR & COVER ASSEMBLY

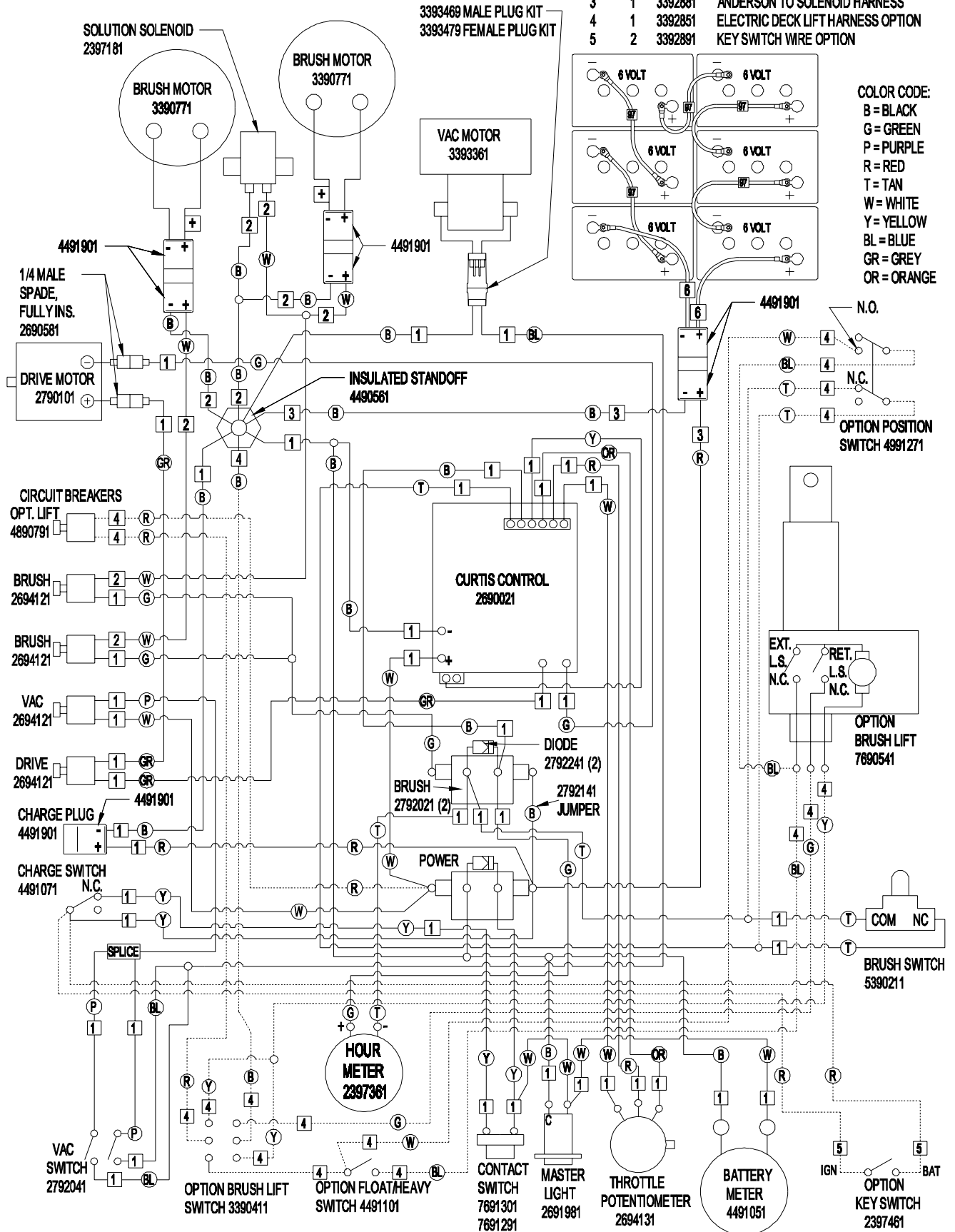


<u>ITEM</u>	<u>PART NO.</u>	<u>DESCRIPTION</u>	<u>QTY.</u>
701	3392021	HANDLE COVER	1
702	7691291	EMERGENCY STOP	1
703	7691301	EMERGENCY STOP BLOCK	1
704	9120270	8-32 X 7/8 ROUND HEAD PHILLIPS MACHINE SCREW	2
705	9120200	#8 SPLIT LOCK WASHER	2
706	3392901	HANDLE GRIP	2
707	2691871	HANDLE GRIP BASE	2
708	2391941	1/2-20 FEMALE ROD END - BALL JOINT	2
709	3393141	ADJUSTABLE BRACKET, TORSION SPRING	1
710	2691941	DRIVEN GEAR, POTENTIOMETER - INCLUDES:	1
711	9120170	8-32 X 3/16 SET SCREW - KNURL POINT - STEEL	2
712	9122450	17/32 I.D. X 1 1/16 O.D. X .074/.121 THICK SAE FLAT WASHER (1/2)	1
713	9122710	1/2-20 X 1 3/4 HEX BOLT	2
714	9122420	1/2 SPLIT LOCK WASHER	2
715	2691891	HANDLE BAR SPACER	2
716	9120320	#10 SPLIT LOCK WASHER	1
717	9120530	10-24 X 7/8 TRUSS HEAD PHILLIPS MACHINE SCREW	1
718	2691981	LIGHT-INDICATOR, GREEN 36V WITH CLIP	1
719	9120990	1/4-20 X 3/8 TRUSS HEAD PHILLIPS MACHINE SCREW	4
720	3392691	HANDLE BAR	1
721	3392661	TORSION SPRING	1
722	2691931	DRIVEN GEAR, HANDLE BAR - INCLUDES:	1
711	9120170	8-32 X 3/16 SET SCREW - KNURL POINT - STEEL	2
723	9120990	1/4-20 X 3/8 TRUSS HEAD PHILLIPS MACHINE SCREW	2
724	9120970	1/4 EXTERNAL STAR LOCK WASHER	2
725	2694131	POTENTIOMETER, CURTIS SPEED CONTROL	1
726	5091701	RETAINING RING	3

WIRING DIAGRAM

ITEM#	QTY	PART #	DESCRIPTION
1	1	3392831	REAR PANEL HARNESS
2	1	3392841	MACHINE HARNESS
3	1	3392881	ANDERSON TO SOLENOID HARNESS
4	1	3392851	ELECTRIC DECK LIFT HARNESS OPTION
5	2	3392891	KEY SWITCH WIRE OPTION

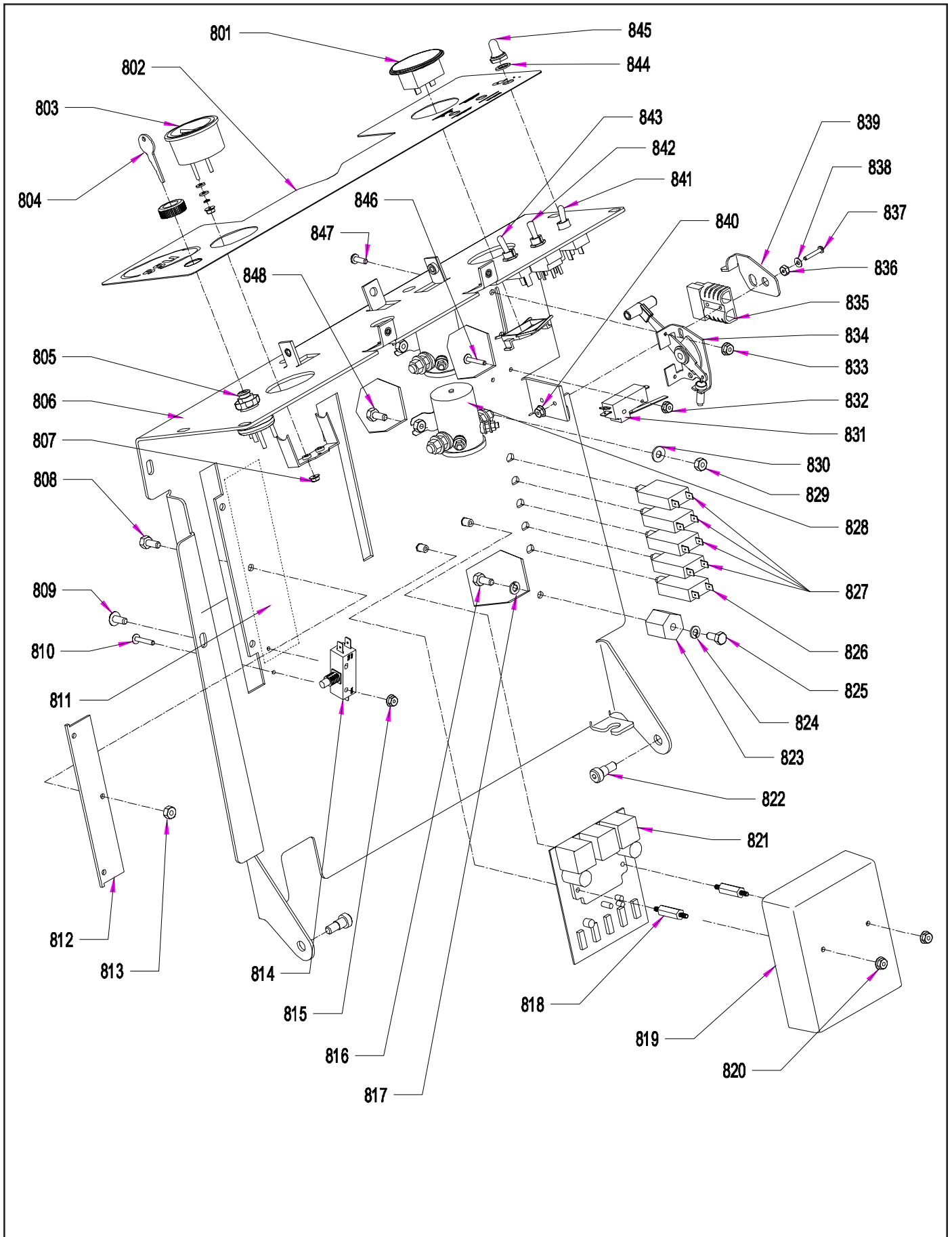
COLOR CODE:
 B = BLACK
 G = GREEN
 P = PURPLE
 R = RED
 T = TAN
 W = WHITE
 Y = YELLOW
 BL = BLUE
 GR = GREY
 OR = ORANGE



REAR PANEL ASSEMBLY

ITEM	PART NO.	DESCRIPTION	QTY.
801	2397361	HOUR METER	1
802	3392821	CONTROL PLATE	1
803	4491051	BATTERY METER WITH HARDWARE	1
804	2397471	REPLACEMENT KEY - OPTIONAL	1
	3393239	KEY SWITCH KIT INCLUDES:	1
805	2397461	KEY SWITCH WITH KEY - OPTIONAL	1
	3393181	KEY SWITCH KIT INSTRUCTIONS	1
	3392891	WIRE ASSEMBLY, KEY SWITCH OPTION	1
806	3393433	REAR PANEL	1
807	9120020	6-32 HEX NUT WITH STAR LOCK WASHER	2
808	9121210	1/4-20 X 5/8 HEX BOLT	3
809	9121000	1/4-20 X 5/8 TRUSS HEAD PHILLIPS MACHINE SCREW	8
810	9120110	6-32 X 1 1/8 PAN HEAD PHILLIPS MACHINE SCREW	2
811	3392861	DECAL KIT - REAR PANEL	1
812	3392281	BRUSH HANDLE LOCK PLATE	1
813	9120900	1/4-20 HEX NUT WITH NY-LOK INSERT	3
814	5390211	SNAP SWITCH	1
815	9120020	6-32 HEX NUT WITH STAR LOCK WASHER	2
816	9121170	1/4-20 X 1/2 HEX BOLT	1
817	9120880	1/4 SPLIT LOCK WASHER	1
818	2694031	STANDOFF, SPEED CONTROL COVER	2
819	2694021	COVER, SPEED CONTROL	1
820	9120190	8-32 HEX NUT WITH STAR LOCK WASHER	2
821	2690021	SPEED CONTROL, CURTIS	1
822	9122020	3/8 X 3/8 SOCKET HEAD SHOULDER BOLT (5/16-18)	2
823	4490561	INSULATED STANDOFF	1
824	9120880	1/4 SPLIT LOCK WASHER	1
825	9121210	1/4-20 X 5/8 HEX BOLT	1
826	4890791	CIRCUIT BREAKER	1
827	2694121	CIRCUIT BREAKER 25 AMP	4
828	2792021	CONTACTOR, SOLENOID	2
829	9120900	1/4-20 HEX NUT WITH NY-LOK INSERT	4
830	9120930	9/32 I.D. X 5/8 O.D. X .051/.080 THICK SAE FLAT WASHER (1/4)	4
831	4491071	SNAP SWITCH	1
832	9120020	6-32 HEX NUT WITH STAR LOCK WASHER	2
833	9120360	10-24 HEX NUT WITH STAR LOCK WASHER	2
834	7691051	SOLUTION LEVER AND CABLE ASSEMBLY	1
835	3392831	WIRE HARNESS REAR PANEL - INCLUDES:	1
	2690471	ANDERSON CONNECTOR ONLY -GREY	1
	4491901	CHARGER PLUG, GREY, 36V, WITH CON. PINS	1
836	9120020	6-32 HEX NUT WITH STAR LOCK WASHER	2
837	9120110	6-32 X 1 1/8 PAN HEAD PHILLIPS MACHINE SCREW	2
838	9120370	7/32 I.D. X 1/2 O.D. X .032/.065 THICK SAE FLAT WASHER (#10)	2
839	3392871	COVER, CHARGE PLUG	1
840	9120020	6-32 HEX NUT WITH STAR LOCK WASHER	2
841	2792041	SWITCH, TOGGLE VAC	1
842	3390411	SWITCH, BRUSH DECK UP AND DOWN - OPTIONAL	1
843	4491101	SWITCH, BRUSH DECK LIGHT AND HEAVY - OPTIONAL	1
844	0691851	1/2 INTERNAL STAR LOCK WASHER	3
845	0693141	RUBBER SWITCH BOOT	3
846	9120110	6-32 X 1 1/8 PAN HEAD PHILLIPS MACHINE SCREW	2
847	9120420	10-24 X 5/8 ROUND HEAD PHILLIPS MACHINE SCREW	2
848	9121210	1/4-20 X 5/8 HEX BOLT	4

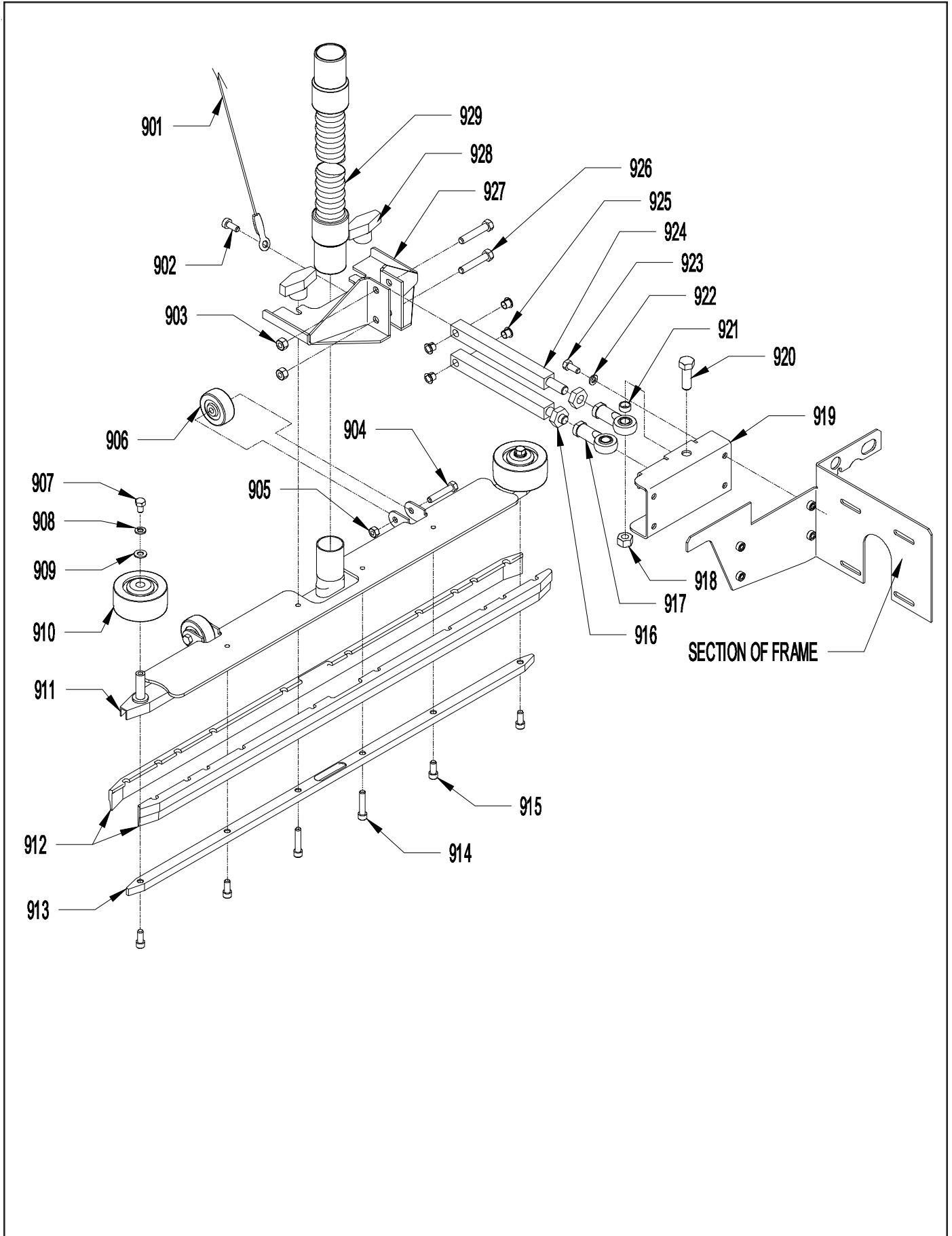
REAR PANEL ASSEMBLY



STRAIGHT SQUEEGEE ASSEMBLY

ITEM	PART NO.	DESCRIPTION	QTY.
		<i>SQUEEGEE ASSEMBLIES INCLUDE THE FOLLOWING PARTS:</i>	
904	9121720	5/16-18 X 1 1/4 FULL THREADED HEX BOLT	2
905	9121450	5/16-18 HEX NUT WITH NY-LOK INSERT	2
906	3096741	WHEEL, BUMPER-SMALL GRAY	2
907	9121560	5/16-18 X 1/2 HEX BOLT	2
908	9121410	5/16 EXTERNAL STAR LOCK WASHER	2
909	9121390	11/32 I.D. X 11/16 O.D. X .051/.080 THICK SAE FLAT WASHER (5/16)	2
910	2790281	3" BUMPER WHEEL	2
914	9121920	5/16-18 X 1 1/2 SOCKET HEAD CAP SCREW	2
915	9121880	5/16-18 X 3/4 SOCKET HEAD CAP SCREW	4
928	2791002	KNOB, SQUEEGEE	2
911	2692539	SQUEEGEE ASSEMBLY NARROW MOUNT [WRANGLER 2730] Also includes:	1
	2692523	HOUSING NARROW MOUNT SQUEEGEE [WRANGLER 2730]	1
912	2791061	32" REPLACEMENT SQUEEGEE BLADES SET OF 2 [WRANGLER 2730]	1
913	2692533	INNER CHANNEL [WRANGLER 2730]	1
911	2693539	SQUEEGEE ASSEMBLY NARROW MOUNT [WRANGLER 3330] Also includes:	1
	2693523	HOUSING NARROW MOUNT SQUEEGEE [WRANGLER 3330]	1
912	3390261	38" REPLACEMENT SQUEEGEE BLADES SET OF 2 [WRANGLER 3330]	1
913	2693533	INNER CHANNEL [WRANGLER 3330]	1
901	3392141	SQUEEGEE LIFT CABLE	1
902	9121505	5/16 X 1/8 (1/4-20) SOCKET HEAD SHOULDER BOLT	1
903	9122140	3/8-16 HEX NUT WITH NY-LOK INSERT	2
916	9122670	1/2-20 HEX JAM NUT	2
917	2391941	BALL JOINT	2
918	9122495	1/2-13 THIN HEX NUT WITH NY-LOK INSERT	2
919	3392131	SQUEEGEE MOUNT BRACKET	1
920	9122550	1/2-13 X 1 1/2 HEX BOLT	2
921	2391461	BUSHING - LIFT LEVER	2
922	9121520	5/16 SPLIT LOCK WASHER	4
923	9121640	5/16-18 X 3/4 HEX BOLT	4
924	3392161	SQUEEGEE PIVOT ROD	2
925	1391171	3/8 FLANGE NYLINER	4
926	9122340	3/8-16 X 2 HEX BOLT	2
927	3392151	SQUEEGEE MOUNT BRACKET	1
928	3393071	T - KNOB	2
929	2690591	SQUEEGEE VAC HOSE WITH CUFFS	1

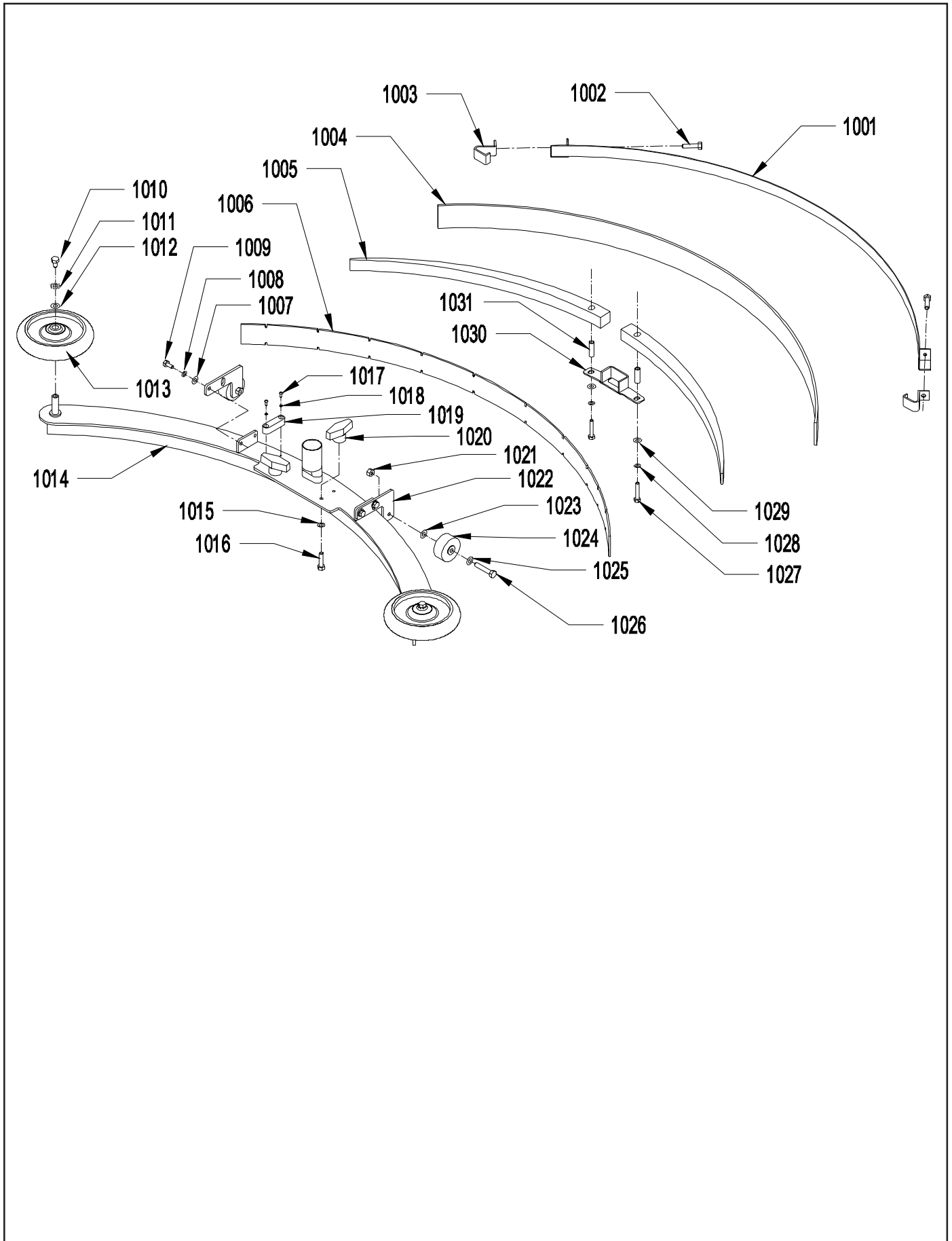
STRAIGHT SQUEEGEE ASSEMBLY



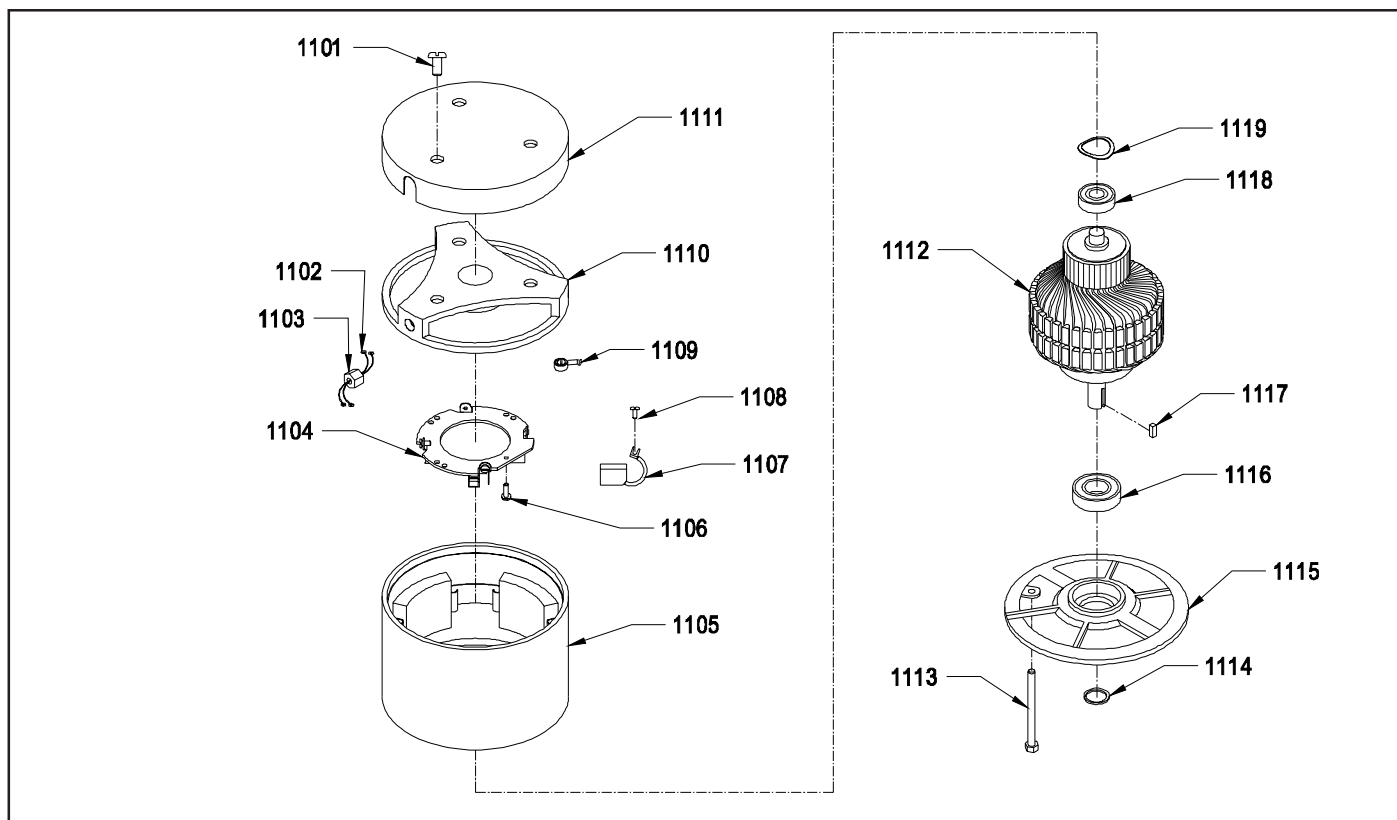
CURVED SQUEEGEE ASSEMBLY

<u>ITEM</u>	<u>PART NO.</u>	<u>DESCRIPTION</u>	<u>QTY.</u>
<i>SQUEEGEE ASSEMBLIES INCLUDE THE FOLLOWING PARTS:</i>			
1002	9121720	5/16-18 X 1 1/4 FULL THREADED HEX BOLT	2
1003	2492561	HOOKED END	2
1007	9120930	9/32 I.D. X 5/8 O.D. X .051/.080 THICK SAE FLAT WASHER (1/4)	4
1008	9120880	1/4 SPLIT LOCK WASHER	4
1009	9121210	1/4-20 X 5/8 HEX BOLT	4
1010	9121560	5/16-18 X 1/2 HEX BOLT	2
1011	9121410	5/16 EXTERNAL STAR LOCK WASHER	2
1012	9121390	11/32 I.D. X 11/16 O.D. X .051/.080 THICK SAE FLAT WASHER (5/16)	2
1013	3392991	SQUEEGEE BUMPER WHEEL - 6" O.D.	2
1015	9121520	5/16 SPLIT LOCK WASHER	2
1016	9121720	5/16-18 X 1 1/4 FULL THREADED HEX BOLT	2
1017	9120070	6-32 X 3/8 ROUND HEAD PHILLIPS MACHINE SCREW	2
1018	9120030	#6 SPLIT LOCK WASHER	2
1019	2492581	SQUEEGEE LEVEL	1
1020	3393071	T - KNOB	2
1021	9121450	5/16-18 HEX NUT WITH NY-LOK INSERT	2
1022	2492571	DOLLY WHEEL MOUNTING BRACKET	2
1023	9121390	11/32 I.D. X 11/16 O.D. X .051/.080 THICK SAE FLAT WASHER (5/16)	2
1024	3092674	WHEEL, BUMPER-SMALL GRAY	2
1025	9121390	11/32 I.D. X 11/16 O.D. X .051/.080 THICK SAE FLAT WASHER (5/16)	2
1026	9121760	5/16-18 X 1 3/4 HEX BOLT	2
1027	9121280	1/4-20 X 1 1/2 HEX BOLT	2
1028	9120880	1/4 SPLIT LOCK WASHER	2
1029	9120930	9/32 I.D. X 5/8 O.D. X .051/.080 THICK SAE FLAT WASHER (1/4)	2
1030	2492541	CENTER HOLD DOWN	1
1031	2492591	CENTER HOLD DOWN SPACER	2
1001	3392959	CURVED SQUEEGEE ASSEMBLY BIG WHEELS [WRANGLER 2730] Also includes:	1
	2692841	REAR SECURING STRAP [WRANGLER 2730]	1
1004	2692831	REAR BLADE [WRANGLER 2730]	1
1005	2692811	CENTER WEDGE [WRANGLER 2730]	2
1006	2692821	FRONT BLADE [WRANGLER 2730]	1
1014	3392963	CURVED SQUEEGEE HOUSING [WRANGLER 2730]	1
1001	3392979	CURVED SQUEEGEE ASSEMBLY BIG WHEELS [WRANGLER 3330] Also includes:	1
	2693841	REAR SECURING STRAP [WRANGLER 3330]	1
1004	2693831	REAR BLADE [WRANGLER 3330]	1
1005	2693811	CENTER WEDGE [WRANGLER 3330]	2
1006	2693821	FRONT BLADE [WRANGLER 3330]	1
1014	3392983	CURVED SQUEEGEE HOUSING [WRANGLER 3330]	1

CURVED SQUEEGEE ASSEMBLY

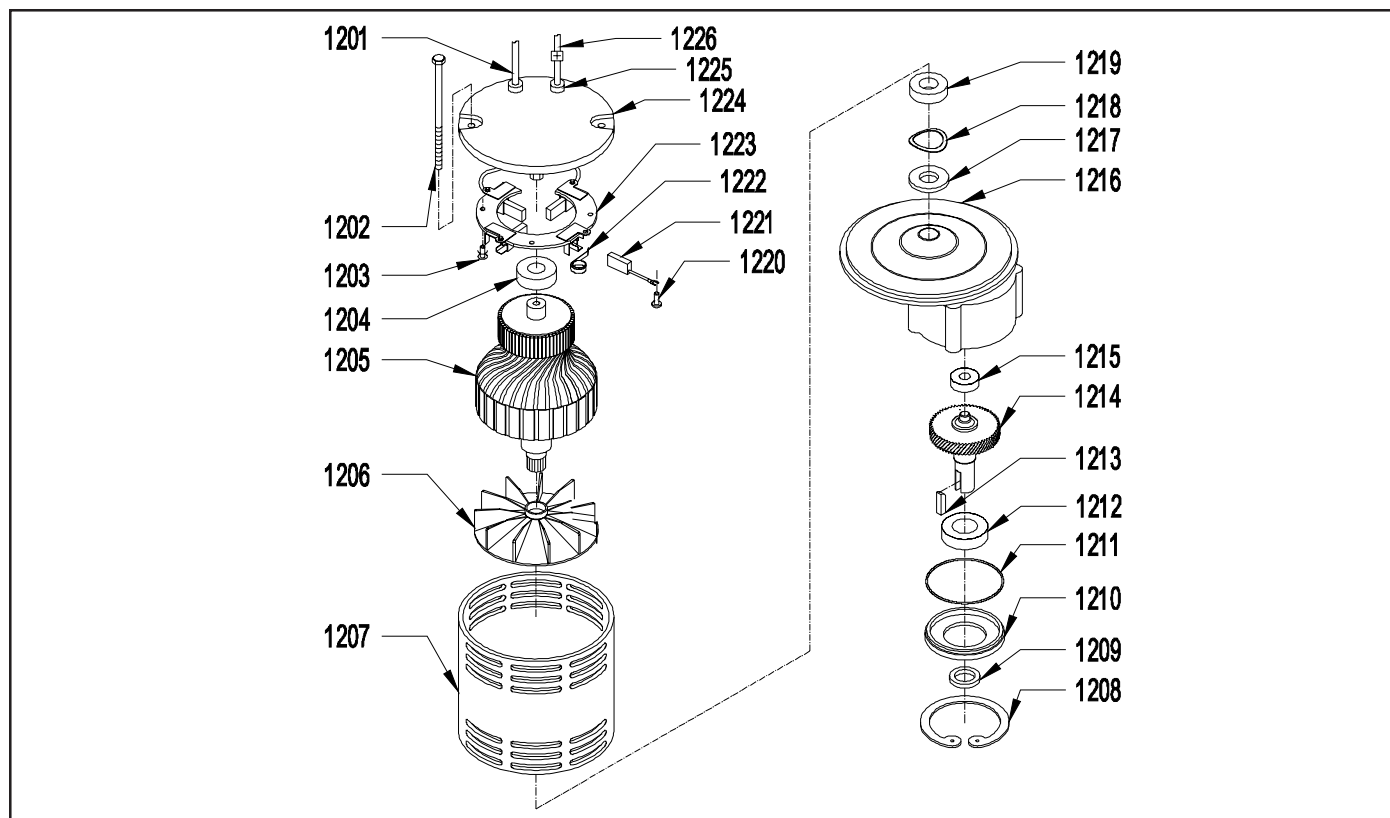


DRIVE MOTOR ASSEMBLY



<u>ITEM</u>	<u>PART NO.</u>	<u>DESCRIPTION</u>	<u>QTY</u>
	2790101	DRIVE MOTOR ASSEMBLY 36 VOLT Includes the following:	1
1101	-----	PAN HEAD SCREW	3
1102	2797581	LEAD ASSEMBLY (1 WIRE WITH TERMINALS)	2
1103	2797631	HEYCO STRAIN RELIEF	1
1105	2797651	STATOR FRAME ASSEMBLY WITH MAGNETS	1
1106	9120600	10-24 X 1/2 SELF TAPPING ROUND HEAD SCREW	3
1113	2797701	THRU BOLT	2
1114	2797731	SHAFT SEAL	1
1115	2797711	BOTTOM END BELL	1
1119	2797591	HELICAL WASHER	1
	2797691	BRUSH ASSEMBLY - CARBON BRUSH WITH LEAD AND TERMINAL	4
1110	2797671	TOP END BELL ASSEMBLY - INCLUDES:	1
1104	2797681	BRUSH BOARD ASSEMBLY - INCLUDES:	1
1108	-----	10-32 X 3/8 BRASS PAN HEAD SCREW	4
1107	2797691	CARBON BRUSH WITH LEAD AND TERMINAL	4
1109	2797571	BRUSH SPRING	4
1111	2797721	TOP COVER	1
1112	2797661	ARMATURE ASSEMBLY - INCLUDES:	1
1116	2790311	BEARING, BOTTOM END (SHAFT END)	1
1117	2792681	SHAFT KEY	1
1118	5092041	BEARING TOP END - COMMUTATOR END	1

BRUSH GEAR MOTOR ASSEMBLY



<u>ITEM</u>	<u>PART NO.</u>	<u>DESCRIPTION</u>	<u>QTY.</u>
	3390771	BRUSH GEAR MOTOR ASSEMBLY Includes the following:	1
1201	3391221	NEGATIVE LEAD	1
1202	3391201	THRU BOLT 1/4-20 X 7 3/4	2
1203	9120600	10-24 X 1/2 PAN HEAD PHILLIPS THREAD CUTTING SCREW	2
1205	3391031	ARMATURE ASSEMBLY - INCLUDES:	1
1206	3391191	ARMATURE VENT FAN	1
1204	5092041	TOP END BEARING	1
1219	3391051	BOTTOM END BEARING	1
1207	3391041	STATOR FRAME ASSEMBLY WITH MAGNETS	1
1216	3391181	GEAR BOX ASSEMBLY - INCLUDES:	1
	3391101	GEAR BOX - HOUSING ONLY	1
1208	3391171	SNAP RING	1
1209	3391161	OIL SEAL, SMALL	1
1210	3391151	END CAP	1
1211	3391141	"O" RING	1
1212	3391131	BOTTOM BEARING, LARGE	1
1213	2792681	MOTOR KEY, 1/4 X 1/4 X 1	1
1214	3391121	GEAR SHAFT	1
1215	3391111	TOP BEARING, SMALL	1
1217	3391091	OIL SEAL, LARGE	1
1218	2797591	HELICAL WASHER	1
1220	—	10-32 X 1/2 PAN HEAD SLOTTED SCREW, BRASS	4
1224	3391011	TOP END BELL ASSEMBLY INCLUDES:	1
	3391001	TOP END BELL ONLY	1
1223	3391021	BRUSH BOARD ASSEMBLY - INCLUDES:	1
1221	3391081	CARBON BRUSH - 120 VOLT	4
1222	2797571	CARBON BRUSH SPRING	4
1225	3391071	STRAIN RELIEF	2
1226	3391211	POSITIVE LEAD	1

ACCESSORIES



7692181

BATTERY ACCESSORIES

- 7692141 Auto Fill Battery System
- 7692181 Low Water Battery Alarm

PAD CUP

- 2795231 Split Retainer Ring Pad Cup



7692141

WRANGLER 2730

- 2792891 14" Polyblock Tuft Pad Driver
- 2792511 14" Polyblock Nylon Brush - Light to medium Scrubbing.
- 2792521 14" Polyblock Nylon Grit-Filled Brush - Heavy Concrete Scrubbing.
- 2792531 14" Polyblock Wire Brush.
- 2792901 14" Polyblock Scrub Grit Brush - Mild to Medium Scrubbing.



5990731

WRANGLER 3330

- 3390891 17" Polyblock Tuft Pad Driver
- 3390511 17" Polyblock Nylon Brush - Light to Medium Scrubbing.
- 3390521 17" Polyblock Nylon Grit-Filled Brush - Heavy Concrete Scrubbing.
- 3390531 17" Polyblock Wire Scrub Brush.
- 3390901 17" Polyblock Scrub Grit Brush - Mild to Medium Scrubbing.



Pad Driver

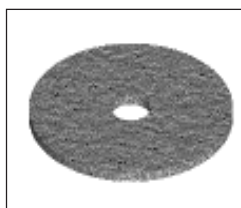


Scrub Brush

BURNISHING FLOOR PADS

For soft finishes: Use to scrub at low rpm's.

- 7991451 14" NSS Lite Blue Polish/Burnish Pad
- 7991751 17" NSS Lite Blue Polish/Burnish Pad



Pad

SCRUBBING FLOOR PADS

For all finishes: Characteristics of a Blue & Red pad. Remove scuff marks, not finish. Use for light cleaning & polishing. Use Wet.

- 7991441 14" NSS UHS CleanBuff Pad
- 7991741 17" NSS UHS CleanBuff Pad



2392129

STRIPPING (150 TO 300 RPM) FLOOR PADS

For all finishes: Removes finish completely.

- 7991401 14" NSS Black Strip Pad
- 7991701 17" NSS Black Strip Pad



2392179

TOOL KITS

2392129 Wet Pick Up Tool Kit

- 5790331 Wand - 2 Piece
- 2391231 Vacuum Hose
- 5797011 Squeegee Tool
- 2291211 Aluminum Connector
- 2391241 Hose Strap
- 9997561 Velcro Loop
- 9997551 Velcro Hook

2392179 Brush Squeegee Kit

- 2290209 1.5" Steel Tube Handle
- 2391231 Vacuum Hose
- 3097849 Squeegee Tool w/ Brush
- 2291211 Aluminum Connector

- 3393361 Vac Motor
- 7693851 Optional - Large Vac Motor



- 3390361 225 A.H. Battery
- 2691501 325 A.H. Battery
- 7691401 395 A.H. Battery



- 4491771 120V
- 2698041 120V
- Charger



NSS ® Enterprises, Inc.

3115 Frenchmens Road, Toledo, Ohio 43607
 PHONE (419) 531-2121 FAX (419) 531-3761
NSS ® Enterprises, Inc. European Distribution Centre
 Unit II, Pinfold Trading Estate * 55 Nottingham Road
 STAPLEFORD, NOTTINGHAM NG9 8AD ENGLAND U.K.
 PHONE: (44) 0115 939 1568 * FAX: (44) 0115 949 0615