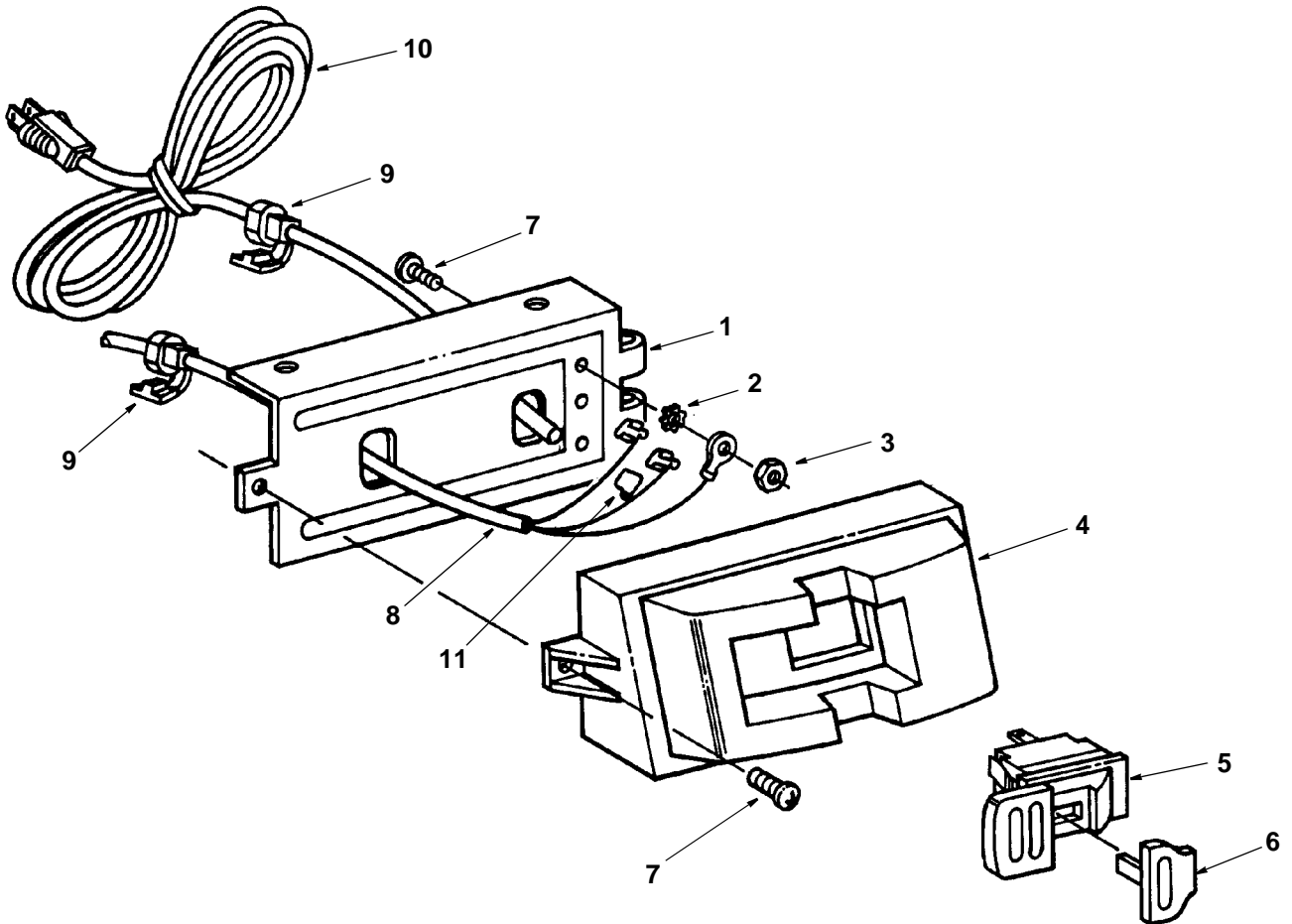


Parts List for RIDGID 10 Inch Table Saw Model TS24240

Figure 1 - ON-OFF Power Outlet

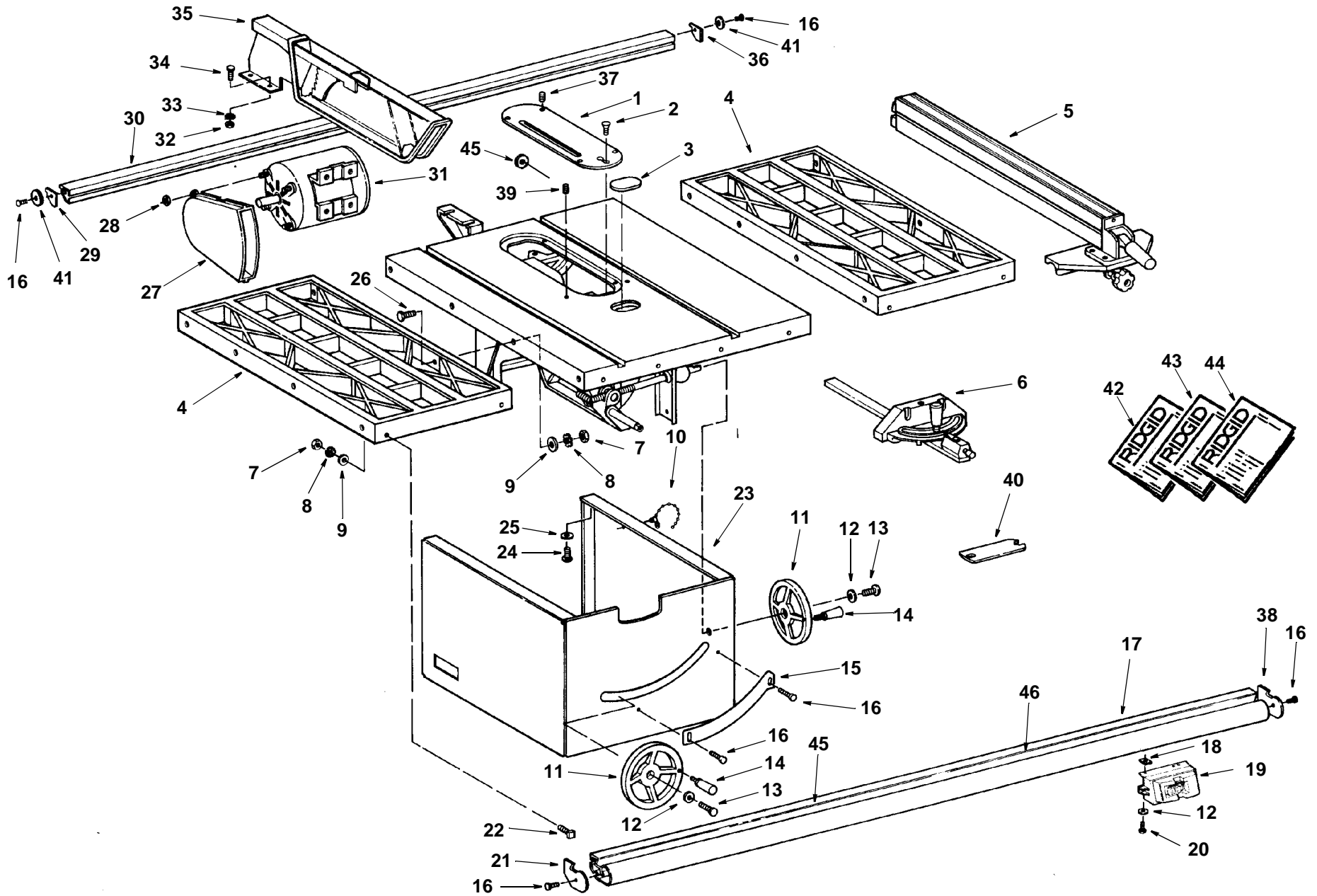


Always Order by Part Number - not by Key Number

Key No.	Part No.	Description
1	822150-1	Bracket, Switch Housing
2	*	Lockwasher #10
3	*	Nut Hex 10-32
4	826121	Box Switch
5	826123	Switch Locking
6	826122	Key Switch
7	*	Screw, Pan Hd. Ty "T" 10-32 x 3/8"
8	826452	Cord
9	826450	Strain Relief
10	826451	Cord w/Plug
11	63467	Cap, Insulator

* Standard Hardware Item - May be purchased locally

Parts List for RIDGID 10 Inch Table Saw
 Model No. TS24240
 Figure 2



**Parts List for RIDGID 10 Inch Table Saw
Model No. TS24240**

Figure 2

Always Order by Part Number - not by Key Number

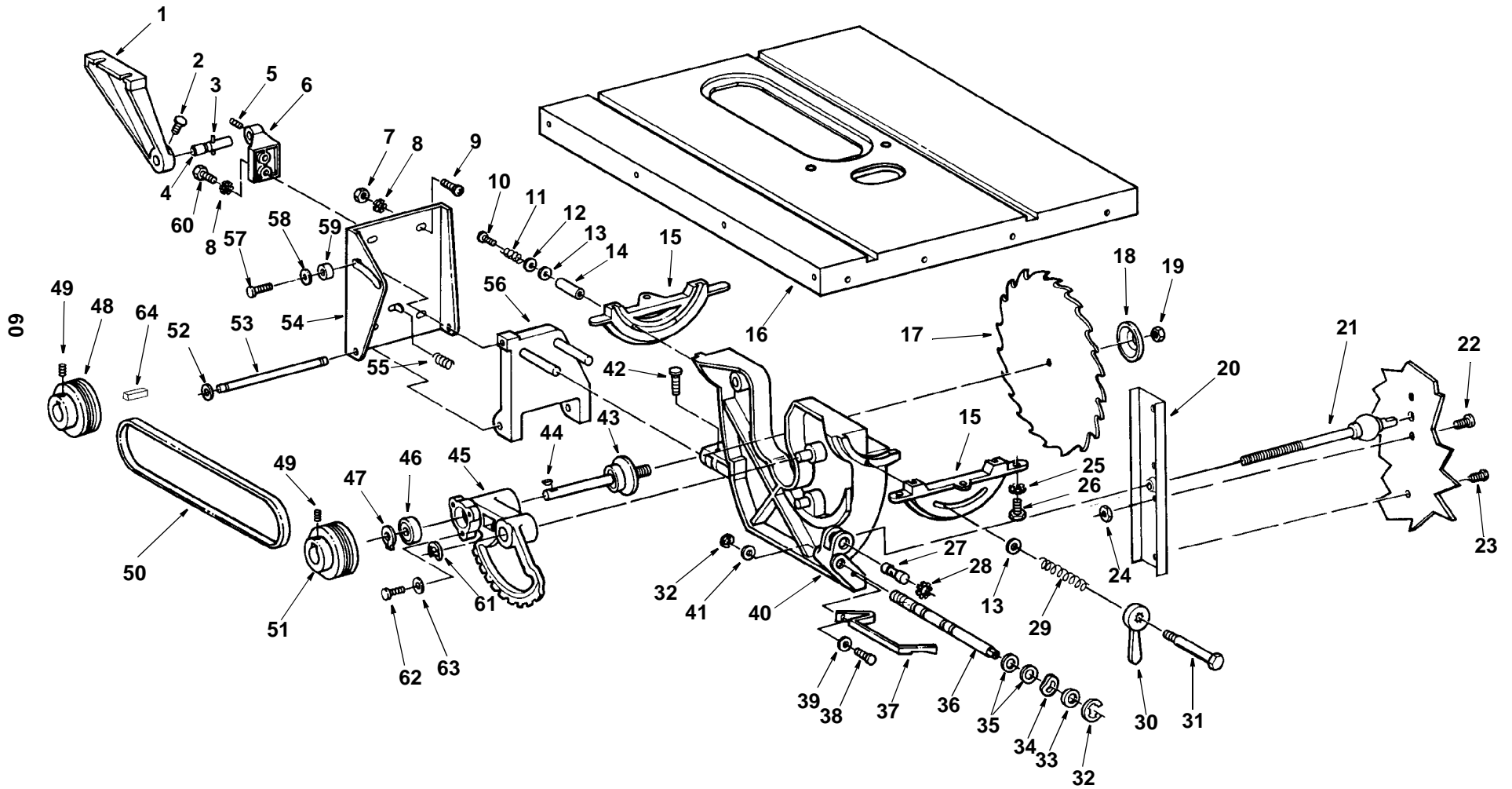
Key No.	Part No.	Description
1	509492	Insert (Includes Key #37)
2	*	Screw Flat Hd 10-32 x 1
3	826390	Insert Ind-I-Cut
4	824609-2	Extension Table
5	— — —	Fence Asm (See Fig 4)
6	— — —	Miter Gauge (See Fig 5)
7	*	Nut Hex 5/16-18
8	*	Lockwasher 5/16
9	*	Washer 21/64 x 5/8 x 1/16
10	71165	Tie Wire
11	824572	Wheel Hand
12	*	Lockwasher #10
13	*	Screw Pan Hd 10-32 x 5/8
14	826505	Knob Handwheel
15	826518	Scale Adjustable Bevel
16	*	Screw Pan Hd Ty "AB" 8 x 1/2
17	824345	Rail Front w/Scales
18	822138-1	Nut Sq 10-32
19	— — —	Switch Box (See Fig 1)
20	*	Screw Pan Hd 10-32 x 3/8
21	824341-1	Cap Front Rail Left
22	159653-38	Bolt Sq. Hd 5/16-18 x 1
23	826465	Base

* Standard Hardware Item - May be purchased locally

Key No.	Part No.	Description
24	*	Screw Hex Hd 3/8-16 x 1/2
25	*	Lockwasher 3/8
26	*	Screw Hex Hd 5/16-18 x 1-1/4
27	824360-1	Guard Belt
28	*	Nut 10-32
29	824373-1	Cap Rear Rail Left
30	824340-6	Rail Rear
31	826187	• Motor
32	*	Nut Hex 1/4-20
33	*	Lockwasher 1/4
34	*	Screw Hex Hd 1/4-20 x 5/8
35	— — —	Guard Assembly (See Fig 6)
36	824372-1	Cap Rear Rail Right
37	104879	Screw Lock Set 10-32 x 3/16
38	824339-1	Cap Front Rail Right
39	818463	Screw Soc Set Oval 3/8-16 x 3/4
40	3540	Wrench, Arbor
41	805548-11	Washer 3/16 x 1 x 1/16
42	SP6127	Owners Manual
43	SP6163A	Owners Manual-Spanish
44	SP6163B	Owners Manual-French
45	818309	Washer Shim
46	824357	Tape Fence 24"

• Any attempt to repair this motor may create a hazard unless repair is done by a qualified service technician. Repair service is available at your nearest Authorized Service Center.

Parts list for RIDGID 10 Inch Table Saw
Model No. TS24240
Figure 3



**Parts List for RIDGID 10 Inch Table Saw
Model TS24240**

Figure 3

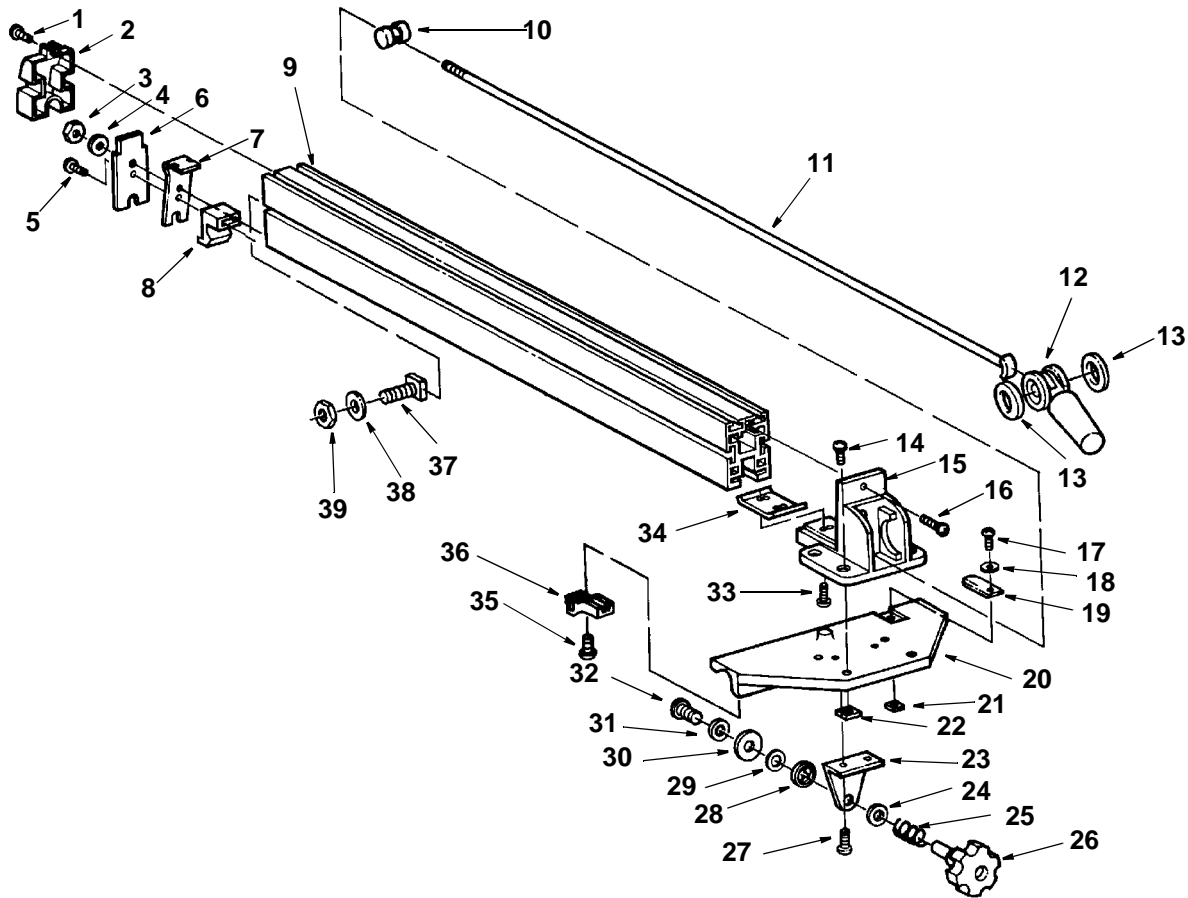
Always Order by Part Number - not by Key Number

Key No.	Part No.	Description
1	804846-1	Support, Spreader
2	60204	Screw, Thumb 5/16-18 x 1
3	*	Pin, Roll 3/16 x 1-1/4
4	62585	Rod Spreader
5	*	Screw, Socket Set 5/16-18 x 1/2
6	825914-2	Support, Guard
7	*	Nut, Hex 5/16-18
8	*	Lockwasher, External 5/16
9	*	Bolt, Carriage 5/16-18 x 3/4
10	*	Screw, Hex Ind. Wash. Hd. 1/4-20 x 1-1/2
11	60205	Spring
12	*	Washer, .380 x 47/64 x 3/32
13	63011	Washer, Knob Clamp
14	62295	Spacer
15	810867-1	Table, Trunnion
16	826454-1	Table, 10 In. Saw
17	826482	Blade, Saw 10" 40T Carbide
18	804667-1	Collar, Blade
19	6362	Nut, Arbor
20	824637-1	Stiffener Base
21	826392	Screw, Tilt
22	*	Screw, Pan Hd. 10-32 x 3/8
23	*	Screw, Pan Hd. Ty AB #10 x 1/2
24	*	Nut, Lock 10-32
25	*	Lockwasher, External 3/8
26	*	Screw, Hex Hd. 3/8-16 x 1
27	826391	Nut, Tilt
28	63054	Ring, Retaining 3/4
29	37828	Spring, Clamp Screw
30	162000-1	Handle Clamp Screw
31	37829	Screw, Clamp
32	*	Ring, Retaining

Key No.	Part No.	Description
33	37838	Washer, .629 x 7/8 x 1/64
34	60178	Washer, Spring
35	*	O-Ring
36	62697	Screw, Lift
37	62699	Pointer
38	*	Screw, Pan Hd. Ty "T" 10-32 x 3/8
39	*	Lockwasher, External No. 10
40	509495	Cradle
41	30767	Washer, End Play (.010 Thick)
42	*	Screw, Hex Hd. 5/16-18 x 5/8
43	508511	Arbor
44	*	Key, Woodruff #9
45	826464	Housing, Arbor (Includes Keys 43 thru 47 & 62, 63)
46	820015	Bearing, Saw Arbor
47	*	Ring Retaining 5/8
48	826475	Pulley, Poly-V 2.2
49	*	Screw, Soc Set Oval 5/16-18 x 5/16
50	816439-3	Belt, Poly-V 41.7
51	826476	Pulley, Poly-V 2.5
52	*	Ring, Retaining 3/8
53	37823	Pin Hinge
54	509494	Base, Motor
55	818527	Spring
56	509491	Support, Motor Base
57	30628	Screw, Hex Lock 1/4-20 x 5/8
58	*	Washer, 17/64 x 47/64 x 1/16
59	818528	Spacer
60	*	Screw Hex Hd 5/16-18 x 1
61	6527	Ring Retaining 3/4
62	*	Screw Ty "T" 8-32 x 3/8
63	*	Washer 3/16 x 5/8 x 1/16
64	*	Key Square 3/16 x 1-1/4

* Standard Hardware Item - May be purchased locally

Parts List for RIDGID 10 Inch Table Saw Model No. TS24240 Figure 4 - Fence Assembly



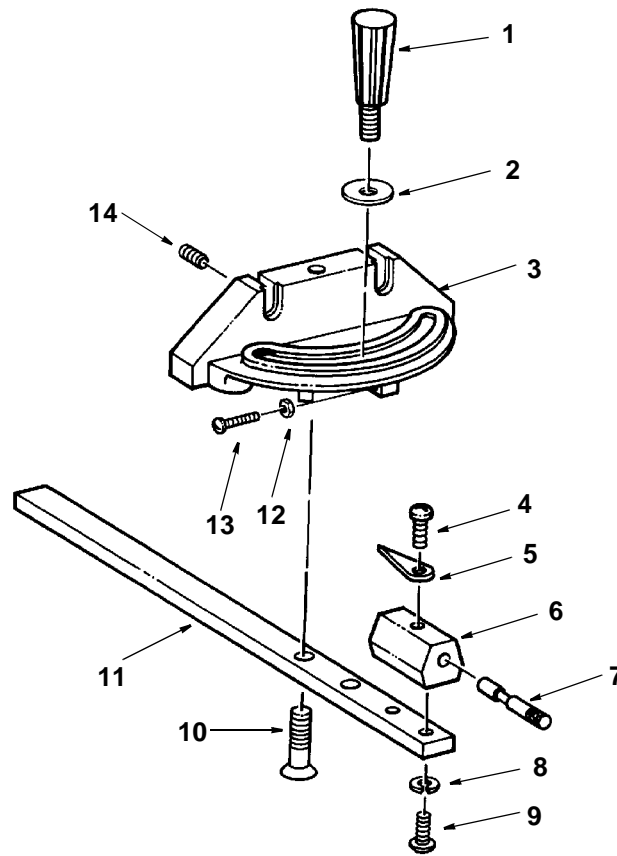
Always Order by Part Number - not by Key Number

Key No.	Part No.	Description
1	809492-7	Screw Pan Hd. Ty "T" 8-32 x 1
2	824350-1	Cap Channel Rear
3	*	Nut Lock 5/16-18
4	*	Washer 21/64 x 5/8 x 1/16
5	*	Screw Pan Hd. Ty "T" 10-32 x 5/8
6	824328-1	Plate Lock
7	824332	Spring Lock
8	824349-1	Slide Rear Fence
9	824346	Channel Fence
10	824329	Pin Cam
11	824342	Rod Fence Lock
12	824353-1	Handle Cam
13	824326	Bearing Ball Angular Contact
14	824347-2	Scr Hex Soc Butt Hd 1/4-20 x 3/4
15	824279-1	Housing Rip Fence
16	*	Screw Pan Hd Ty "T" 8-32 x 1/2
17	*	Screw Pan Hd 10-32 x 1/2
18	*	Washer 13/64 x 5/8 x 1/32
19	824334-1	Indicator
20	826032	Head
21	822138-1	Nut Sq 10-32

Key No.	Part No.	Description
22	62636	Nut Sq 1/4-20
23	824325-1	Bracket Micro Adjust
24	824282	Bushing
25	824356	Spring Compression
26	824355-1	Knob Micro Adjust
27	*	Screw Pan Hd. Ty "T" 10-32 x 1/2
28	802612-13	Nut Push 7/16
29	*	Washer 13/64 x 3/8 x 1/32
30	826196	Bumper Rubber
31	*	Lockwasher #10
32	*	Screw Pan Hd 10-32 x 3/4
33	9422329	Screw Hex Wash Hd Ty "T" 1/4-20 x 3/4
34	824330-1	Plate Fence Channel
35	*	Screw Pan Hd. Ty "T" 8-32 x 3/8
36	825823	Slide Fence Hd.
Hardware For Attaching Wood Facing		
37	159653-3	Bolt Sq. Hd. 1/4-20 x 3/4
38	*	Washer 17/64 x 5/8 x 1/16
39	*	Nut Hex 1/4-20

* Standard Hardware Item - May be purchased locally

**Parts List for RIDGID 10 Inch Table Saw
Model No. TS24240
Figure 5 - Miter Gauge Assembly**



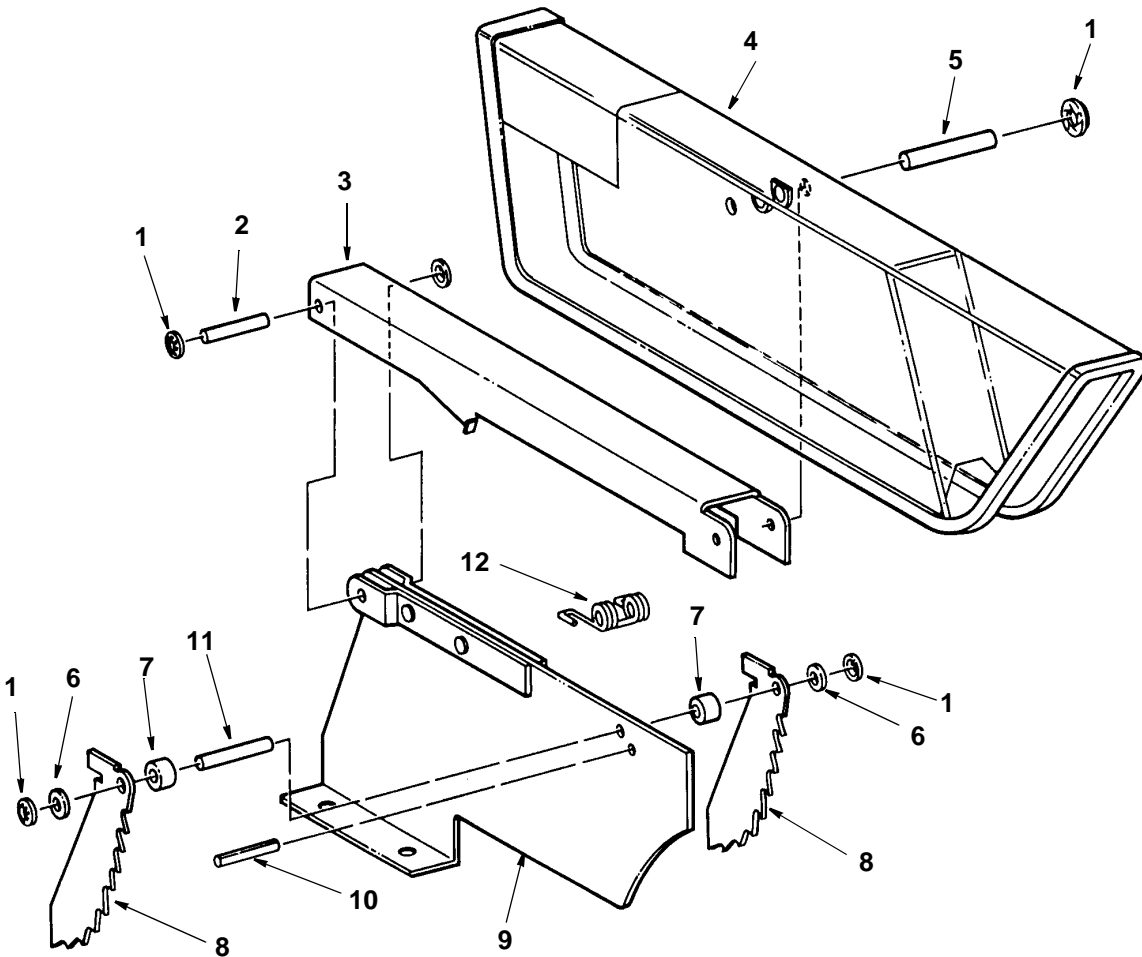
Always Order by Part Number - not by Key Number

Key No.	Part No.	Description
—	826661	Miter Gauge, Complete
1	826506	Knob
2	*	Washer 8 x 23 x 1.8
3	826663	Gauge, Miter
4	*	Screw, Pan Hd. 8/32 x 5/16
5	123069-1	Indicator
6	824573-1	Block, Miter Gauge Indicator
7	824570	Pin, Miter
8	*	Lockwasher #8
9	*	Screw, Pan Hd 8-32 x 5/8
10	818470-4	Screw Flat Hd. M6 x 1.0-16
11	826662	Rod, Miter Gauge
12	*	Nut Hex 6-32
13	*	Screw Pan Hd. 6-32 x 5/8
14	818471-6	Screw, Set 5 x 0.8-5

Parts List for RIDGID 10 Inch Table Saw

Model No. TS24240

Figure 6 - Guard Assembly

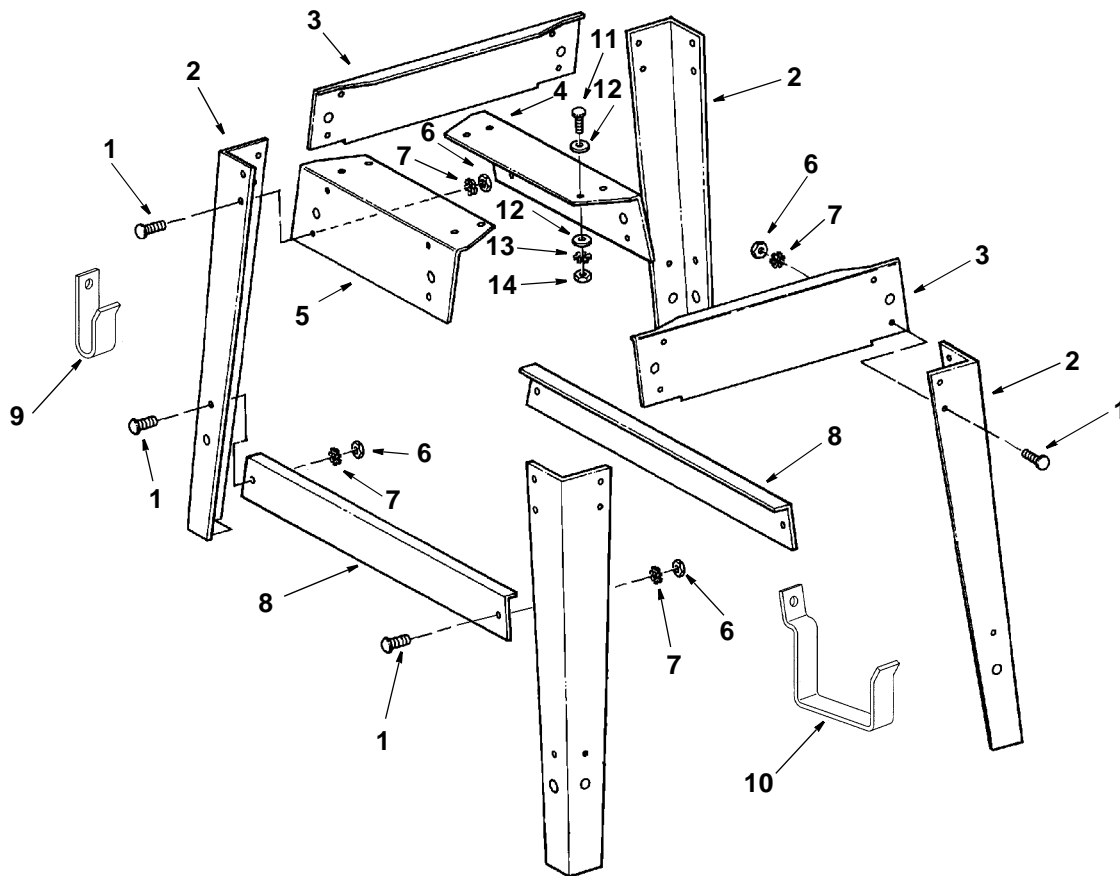


Always Order by Part Number - not by Key Number

Key No.	Part No.	Description
—	826519	Guard Asm. Complete
1	60208	Nut Push
2	62391	Pin 1/4 x 1-1/2
3	803528-1	Support, Guard
4	826466	Guard, Saw
5	62390	Pin, 1/4 x 1-3/4
6	*	Washer, 17/64 x 5/8 x 1/16
7	62520	Spacer, Pawl
8	813146-1	Pawl
9	804845-1	Spreader Blade
10	62410	Pin, 1/4 x 1
11	*	Pin, Roll 3/16 x 15/16
12	62519	Spring, Pawl

* Standard Hardware Item - May be purchased locally

Parts List for RIDGID 10 Inch Table Saw Model No. TS24240 Figure 7 - Leg Set

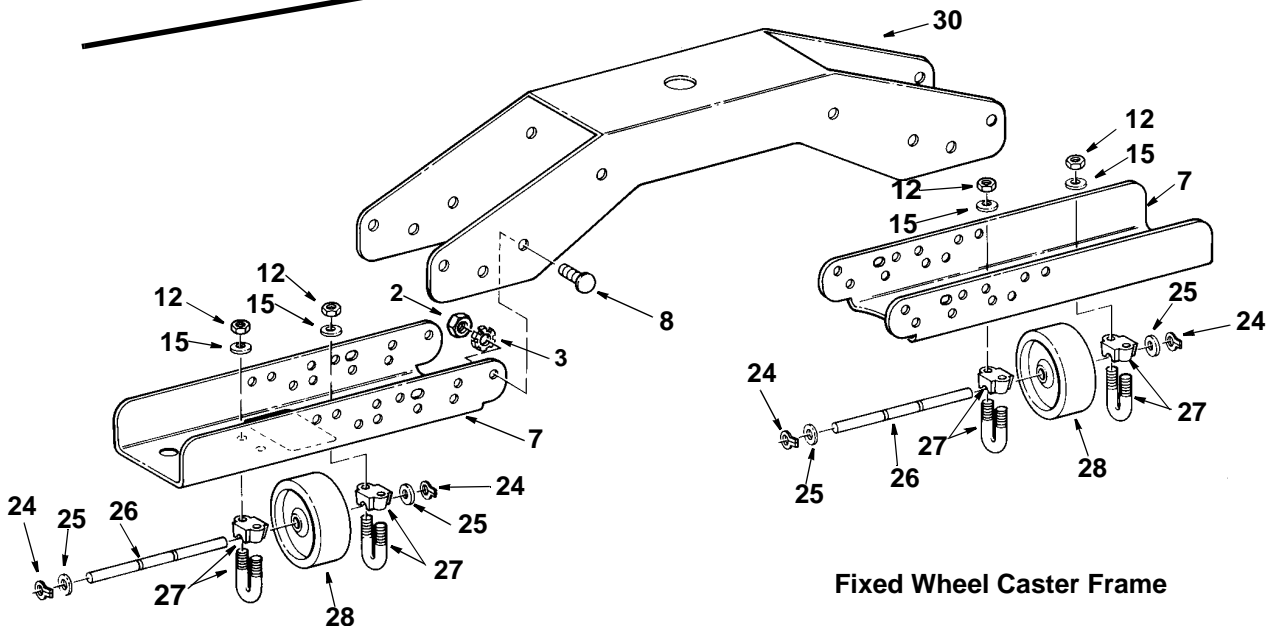
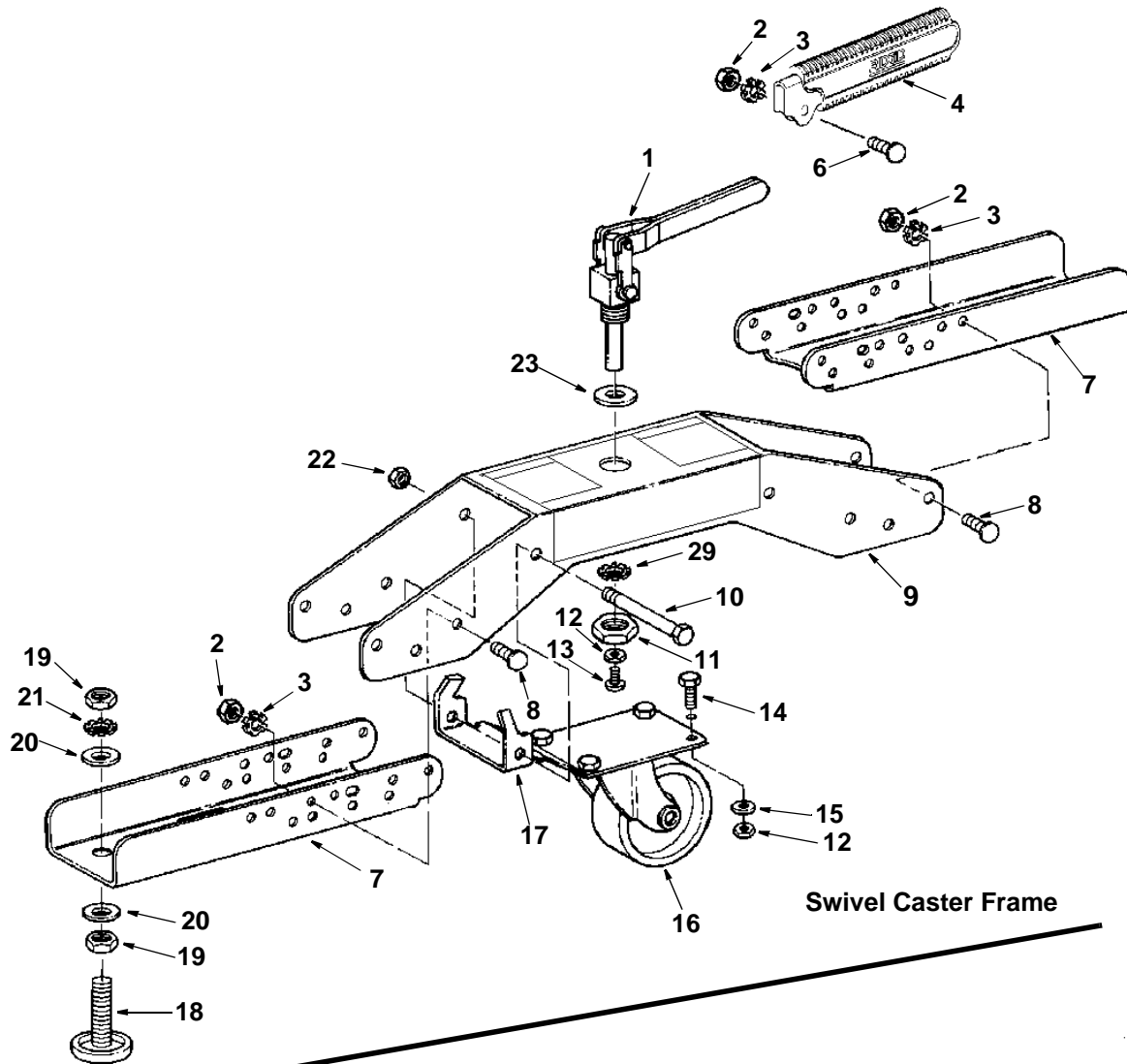


Key No.	Part No.	Description
1	805589-5	Screw, Serrated Truss Head. 1/4-20 x 1/2
2	826113	Leg
3	826116	Stringer, Side
4	826115	Stringer, End
5	509511	Stringer, End w/Label
6	*	Nut Hex, 1/4-20
7	*	Lockwasher 1/4
8	826114-1	Brace Leg (Short)
9	824832	Hanger, Miter Gauge
10	824833	Hanger, Rip Fence
Hardware for Attaching Legs to Saw		
11	*	Screw, Hex Hd. 5/16-18 x 1-1/4
12	*	Washer, 11/32 x 11/16 x 1/16
13	*	Lockwasher, Ext. 5/16
14	*	Nut, Hex 5/16-18

* Standard Hardware Item - May be purchased locally

Repair Parts

Parts List for RIDGID Universal Caster System Model No. TS24240

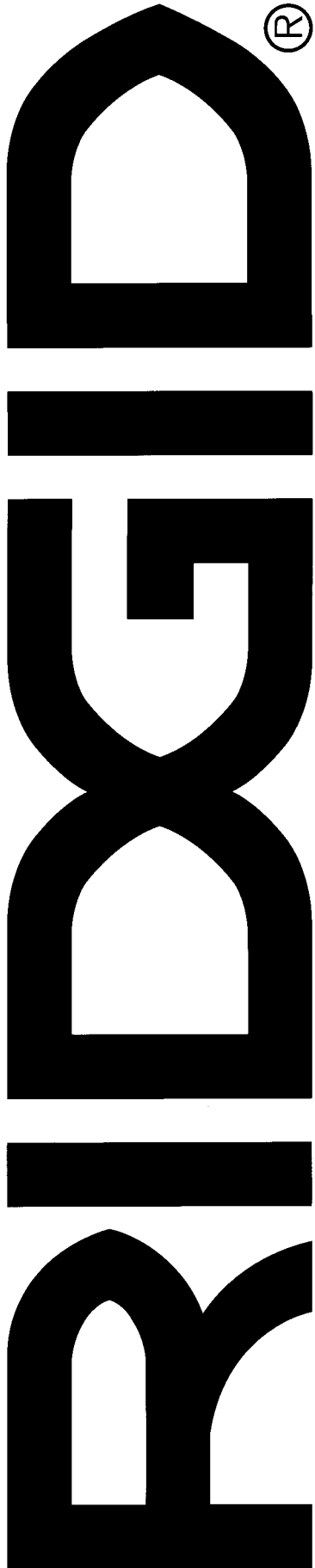


Parts List for RIDGID Universal Caster System Model No. TS24240

Always order by part number - Not by key number

Key No.	Part No.	Description
1	825899	Actuator Caster
2	*	Nut Hex 1/4-20
3	*	Lockwashers 1/4
4	826824	Handle Caster
5		
6	*	Screw Hex Hd. 1/4-20 x 3/4
7	825904-1	Frame Caster End
8	805589-5	Screw Truss Hd. 1/4-20 x 1/2
9	826594	Frame Caster w/Label
10	805466-13	Bolt Hex Hd. 5/16-18 x 4-1/4
11	60484	Nut Hex 3/4-16
12	*	Nut Hex 5/16-18
13	806481-1	Bolt Soc Button Hd. 5/16-18 x 1
14	*	Bolt Hex Hd. 5/16-18 x 5/8
15	*	Lockwasher 5/16
16	825898	Caster Swivel
17	825905-1	Hinge Caster
18	803835-2	Foot Leveling 3"
19	*	Nut Hex 3/8-16
20	*	Washer 3/8 x 7/8 x 5/64
21	*	Lockwasher 3/8
22	*	Nut Lock 5/16-18
23	*	Washer 3/4 x 1-15/32 x 3/32
24	*	Ring Retaining
25	*	Washer 17/64 x 5/8 x 1/32
26	825910	Shaft Caster
27	825902	Mount Axle Caster
28	825901	Wheel Rubber 2-1/2
29	*	3/4" External Tooth Lockwasher
30	825903-1	Frame Caster Center

* Standard hardware item - may be purchased locally



Lifetime Warranty On RIDGID Tools

The RIDGID REPUTATION is the result of the consistent product quality and years of pride in workmanship. Rigorous checks and controls from raw materials to packaged products insure product confidence widely accepted as the mark of the professional trades. Therefore, RIDGID covers its products with a LIFETIME WARRANTY against defects in material or workmanship. To take advantage of this warranty, the complete product must be delivered prepaid to any RIDGID AUTHORIZED SERVICE CENTER. Obviously, failures due to misuse, abuse or normal wear and tear are not covered by this warranty. NO OTHER WARRANTY, WRITTEN OR ORAL, APPLIES. No employee, agent, dealer or other person is authorized to give any warranty on behalf of RIDGID Power Tools, Emerson Electric Co. Warranted products will be repaired or replaced, at our option, at no charge to you and returned to you via prepaid transportation. Such replacement or repair is the exclusive remedy available from RIDGID Power Tools, Emerson Electric Co. Emerson Electric Co. is not liable for damage of any sort, including incidental and consequential damages. Some U.S.A. states do not allow the exclusion or limitation of incidental or consequential damages, so the above limitation or exclusion may not apply. This warranty gives you specific legal rights, and you may have other rights which vary from state to state.

Stock No. TS2424
Model No. TS24240

Model and serial numbers may be found on a plate attached to the saw at the right rear side of the base.

You should record both model and serial number in a safe place for future use.

QUESTIONS OR COMMENTS?
CALL 1-800-4-RIDGID



RIDGID Power Tools
Emerson Electric Co.