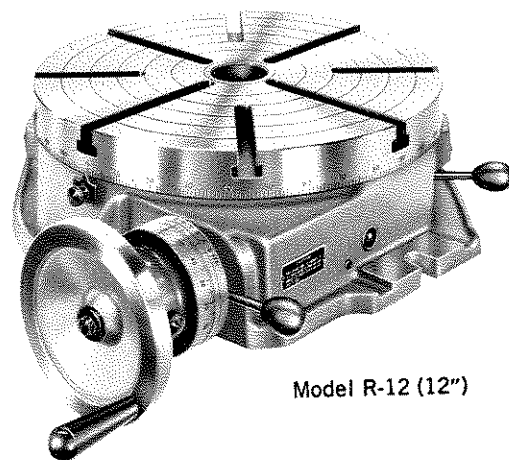
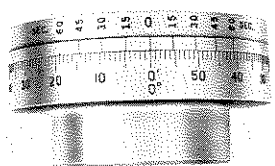


# Troyke

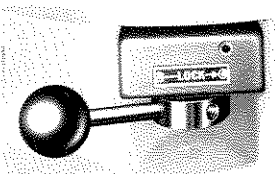
## STANDARD PRECISION HORIZONTAL ROTARY TABLES 12"-15"-18"-21"



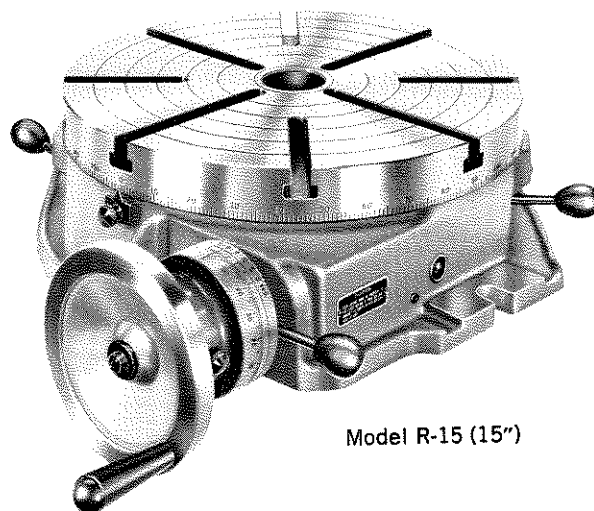
Model R-12 (12")



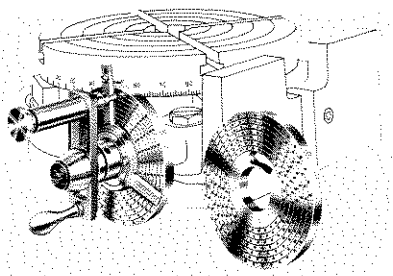
**DIAL and VERNIER** — Large Satin Chrome Accurately Graduated Dials and Verniers. Dials graduated in single minute increments as well as degrees. Verniers readable to 15 seconds in either direction.



**LOCK** - The new internal non-influencing positive locking arrangement is one of the many features offered. Models R-15, R-18, R-21, R-25, T-18 and T-21 are provided with two locks. (Patent No. 3100636)



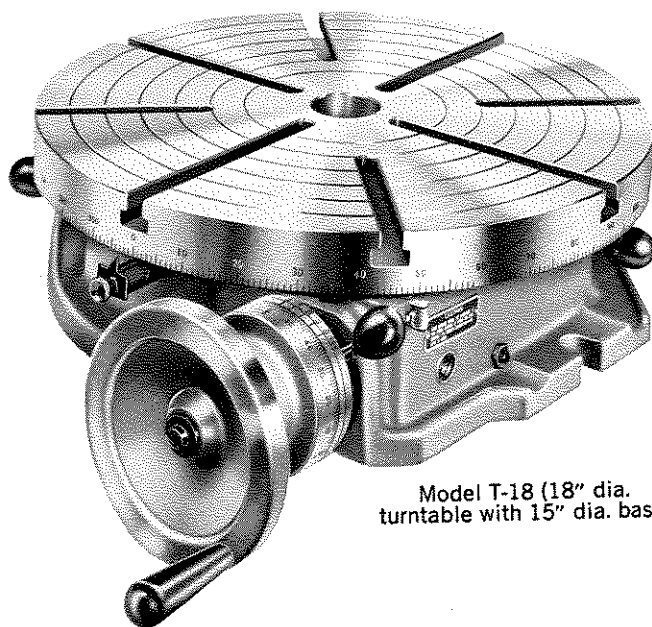
Model R-15 (15")



### DIVIDING ATTACHMENTS Pat. No. 3170340

The DA-9-A Dividing Attachment (Not shown but similar to the DA-15-A) is for use with the Model U-9.

The DA-15-A Dividing Attachment is for Models R-12, R-15, T-18, T-21, U-12 and U-15.



Model T-18 (18" dia. turntable with 15" dia. base)

DIMENSIONAL SPECIFICATIONS AT RIGHT