

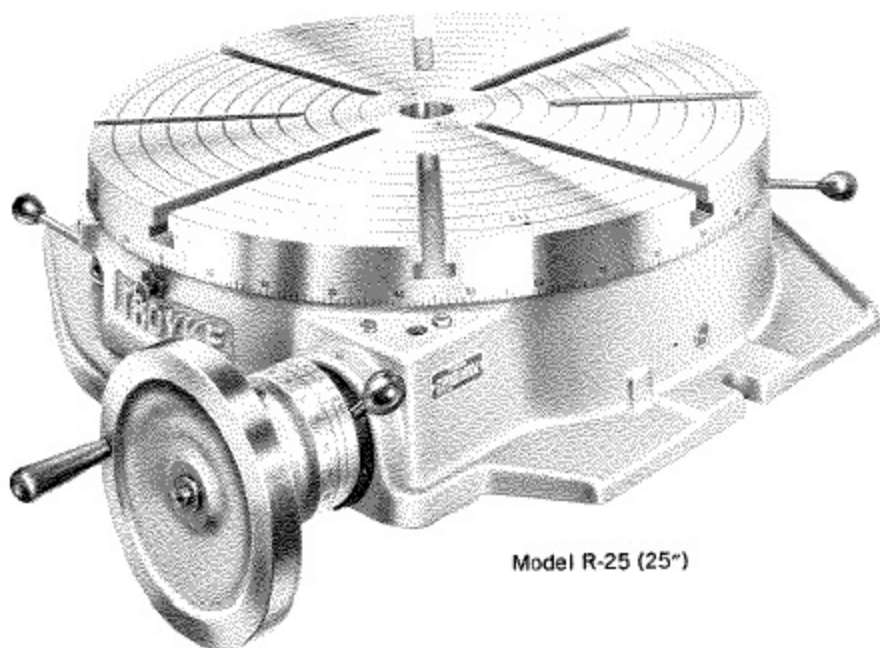
# Troyke

**HEAVY DUTY  
STANDARD**

**PRECISION HORIZONTAL  
ROTARY TABLES 18"-21"-25"**

**GUARANTEED ANGULAR ACCURACY**

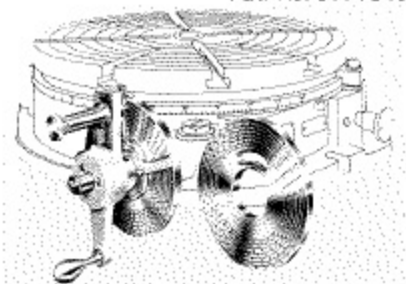
(See Chart Below)



Model R-25 (25")

## DIVIDING ATTACHMENTS

Pat. No. 3170340



DA-25-A Attachment

Dividing Attachments are available for all models as optional equipment. Each Dividing Attachment includes two index plates with four sides of hole circles. These index plates are adjustable circumferentially to permit finding the nearest hole in the plate without rotating the work. A Spring, with adjustable tension, is provided to hold the Bronze Sector Assembly against the Ground Index Plate. Special or Blank Plates can also be furnished.

Divisions — All numbers from 2 to 52. All those divisible by 2 or 5 from 52 to 100, and many divisions above. Ask for sample chart.

The DA-25-A Dividing Attachment is for Models R-18, R-21, R-25, and U-18.

DA-20-A Dividing attachment for models UP-20, UP-25 and UP-30

DA-100-A Dividing Attachment for models DMT-12, DMT-15 and DMT-18

Model No.	A	B	C	D	E	F	G	H	J	K	L	M	N
R-12	12	5 1/4	15 1/4	7 1/4	3 1/4	2	4 1/4	3/8	1/8	13 1/2	7 1/4	11 1/4	2 1/4
R-15	15	5 1/4	17 1/2	8 1/4	5 1/4	2	5 1/4	3/8	1/8	16 1/2	8 1/4	11 1/4	2 1/4
T-18	18	5 1/4	17 1/2	8 1/4	5 1/4	2	5 1/4	3/8	1/8	16 1/2	8 1/4	11 1/4	2 1/4
T-21	21	5 1/4	17 1/2	8 1/4	5 1/4	2	5 1/4	3/8	1/8	16 1/2	10 1/4	13 1/4	2 1/4
R-18	18	5 1/4	22 3/4	11 1/4	10 1/2	2	7 1/4	1/8	1/8	20	10	13 1/4	1 1/4
R-21	21	6 1/4	24 1/2	12 1/4	12 1/2	2	7 1/4	1/8	1/8	23 1/4	11 1/4	15 1/4	1 1/4
R-25	25	6 1/4	28 1/4	14 1/4	15	2	8 1/4	1/8	1/8	27 1/2	13 1/4	17 1/4	1 1/4

Model No.	O	P	R	S	T	U	V	Ratio Worm to Wormwheel	Weights	
									Net	Ship.
R-12	2	6	2 1/2	8 1/8	13 3/8	1 1/8	1/8	1:90	133	150
R-15	2	6	2 1/2	8 1/8	14 1/8	1 1/8	1/8	1:120	192	213
T-18	2	6	2 1/2	8 1/8	14 1/8	1 1/8	1/8	1:120	212	237
T-21	2	6	2 1/2	10 1/8	15 1/8	1 1/8	1/8	1:120	235	260
R-18	2	8	3 1/2	10 1/2	15 1/4	1 1/4	1/8	1:120	300	332
R-21	2	8	3 1/2	12	17 1/4	1 1/4	1/8	1:120	415	460
R-25	2	8	3 1/2	13 1/4	19 1/4	1 1/4	1/8	1:120	550	595

### WEIGHT CAPACITY    ANGULAR ACCURACY

MODEL NO.	HORIZ.	ANGULAR ACCURACY
R-12	250#	30 Sec. (.0008 on 12" Dia.)
R-15	350	30 " (.0011 on 15" " )
T-18	350	30 " (.0013 on 18" " )
T-21	350	30 " (.0015 on 21" " )
R-18	700	20 " (.0009 on 18" " )
R-21	900	20 " (.0010 on 21" " )
R-25	1000	20 " (.0012 on 25" " )

