

Troyke

ULTRA - PRECISION HEAVY DUTY

HORIZONTAL-VERTICAL ROTARY TABLES

20" Model UP-20

25" Model UP-25

30" Model UP-30

Models UP-20 to UP-30 meet the demand for a super-precision, heavy duty, large diameter Rotary Table which can be used in either the horizontal or vertical plane. All models fill the most exacting requirements found in either manufacturing or inspection.

FEATURES

Table rotates in a super-precision, tapered bore, cylindrical roller bearing. / Large easy-to-read satin chrome one minute dial. / Vernier with five second reading in either direction. / Table graduated in one degree increments. / One piece wormshaft mounted in tapered roller bearings. / Non-influencing positive locks. / Totally enclosed base. / Worm and Wormwheel run in a bath of oil. / All surfaces are precision ground. / Lifting Bar is furnished for ease in handling.

A Dividing Attachment, DA-20-A is available for use on the UP-20, UP-25, and UP-30. This DA-20-A Dividing Attachment is similar to the DA-15-A attachment shown and described on page 4.

GUARANTEED ANGULAR ACCURACY

(See Chart Below)

See Page 3 for converting seconds to decimal of inches on a 6" diameter.

DIMENSIONAL SPECIFICATIONS BELOW

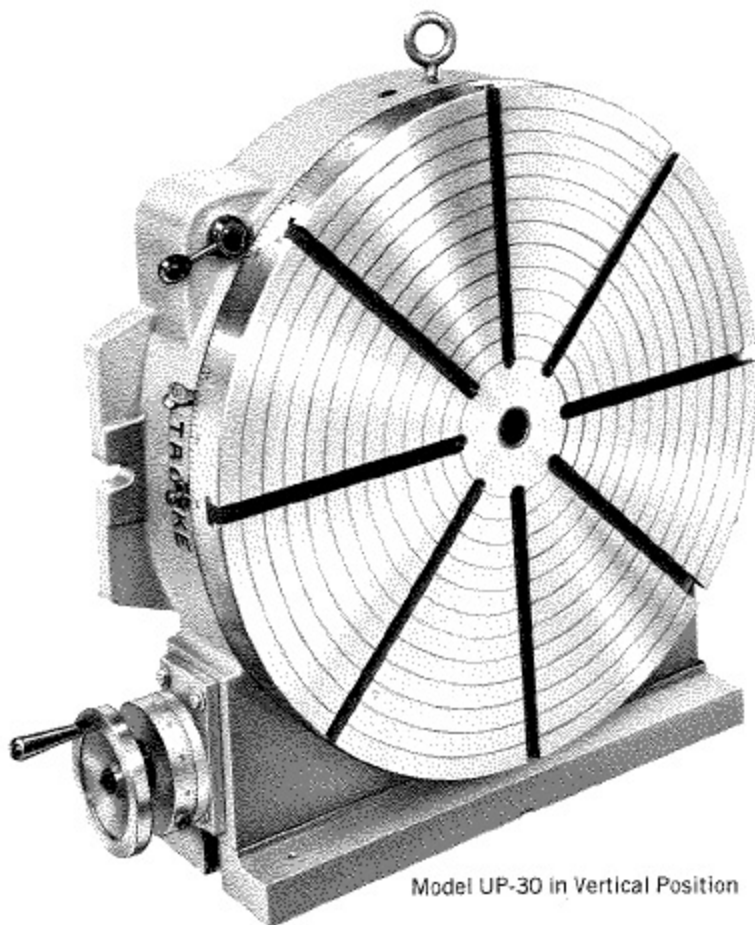
Model No.	A	B	C	D	E	F	G	H	J	K	L	M	N
U-9	9	3 $\frac{1}{4}$	10 $\frac{1}{4}$	5 $\frac{1}{4}$	9 $\frac{1}{4}$	1	2 $\frac{1}{4}$	$\frac{3}{8}$	$\frac{1}{2}$	10 $\frac{1}{2}$	5 $\frac{1}{2}$	8 $\frac{1}{2}$	1 $\frac{1}{2}$
U-12	12	5 $\frac{1}{4}$	13 $\frac{1}{4}$	7 $\frac{1}{4}$	11 $\frac{1}{2}$	2	4 $\frac{1}{4}$	$\frac{3}{8}$	$\frac{1}{2}$	13 $\frac{1}{4}$	7 $\frac{1}{2}$	10 $\frac{1}{2}$	2 $\frac{1}{2}$
U-15	15	5 $\frac{1}{4}$	16 $\frac{1}{4}$	9 $\frac{1}{4}$	12	2	5 $\frac{1}{4}$	$\frac{3}{8}$	$\frac{1}{2}$	16 $\frac{1}{4}$	8 $\frac{1}{2}$	11	2 $\frac{1}{2}$
U-18	18	5 $\frac{1}{4}$	19 $\frac{1}{4}$	10 $\frac{1}{4}$	16 $\frac{1}{2}$	2	7 $\frac{1}{4}$	$\frac{3}{8}$	$\frac{1}{2}$	19 $\frac{1}{4}$	9 $\frac{1}{2}$	12 $\frac{1}{4}$	2 $\frac{1}{2}$
UP-20	20	7 $\frac{1}{4}$	21 $\frac{1}{4}$	11 $\frac{1}{4}$	19 $\frac{1}{2}$	1 $\frac{1}{2}$	8 $\frac{1}{4}$	$\frac{3}{8}$	$\frac{1}{2}$	19	11 $\frac{1}{2}$	13 $\frac{1}{4}$	3 $\frac{1}{4}$
UP-25	25	7 $\frac{1}{4}$	26 $\frac{1}{4}$	14 $\frac{1}{4}$	19	1 $\frac{1}{2}$	8 $\frac{1}{4}$	$\frac{3}{8}$	$\frac{1}{2}$	19	11 $\frac{1}{2}$	13 $\frac{1}{4}$	3 $\frac{1}{4}$
UP-30	30	8 $\frac{1}{4}$	32 $\frac{1}{4}$	17 $\frac{1}{4}$	27	1 $\frac{1}{2}$	11 $\frac{1}{4}$	$\frac{3}{8}$	$\frac{1}{2}$	33 $\frac{1}{2}$	15	17	3

Model No.	O	P	R	S	T	U	V	Ratio Worm to Wormwheel	Weights	
									Net	Ship.
U-9	1 $\frac{1}{2}$	4 $\frac{1}{2}$	2 $\frac{1}{2}$	6 $\frac{1}{2}$	11 $\frac{1}{4}$	1 $\frac{1}{4}$	5	1:90	63	78
U-12	2	6	2 $\frac{1}{2}$	8 $\frac{1}{4}$	13 $\frac{1}{4}$	1 $\frac{1}{2}$	6	1:90	151	170
U-15	2	6	2 $\frac{1}{2}$	8 $\frac{1}{4}$	14 $\frac{1}{4}$	1 $\frac{1}{2}$	6	1:120	207	227
U-18	2	8	3 $\frac{1}{2}$	10 $\frac{1}{4}$	16	1 $\frac{1}{2}$	8	1:120	330	360
UP-20	2 $\frac{1}{4}$	6	3 $\frac{1}{2}$	10 $\frac{1}{4}$	16 $\frac{1}{2}$	2	16	1:120	485	521
UP-25	2 $\frac{1}{4}$	6	3 $\frac{1}{2}$	10 $\frac{1}{4}$	16 $\frac{1}{2}$	2	16	1:120	600	695
UP-30	2 $\frac{1}{4}$	6	3 $\frac{1}{2}$	14 $\frac{1}{4}$	19 $\frac{1}{2}$	2 $\frac{1}{2}$	—	1:180	1200	1350

WEIGHT CAPACITY

ANGULAR ACCURACY

MODEL NO.	HORIZ.	VERT.	
U-9	100#	50#	30 Sec. (.0006 on 9" Dia.)
U-12	250	200	30 " (.0011 on 12" ")
U-15	350	300	30 " (.0013 on 15" ")
U-18	700	400	20 " (.0009 on 18" ")
UP-20	1500	500	20 " (.0010 on 20" ")
UP-25	1500	500	20 " (.0012 on 25" ")
UP-30	2000	1000	20 " (.0014 on 30" ")



Model UP-30 in Vertical Position

