

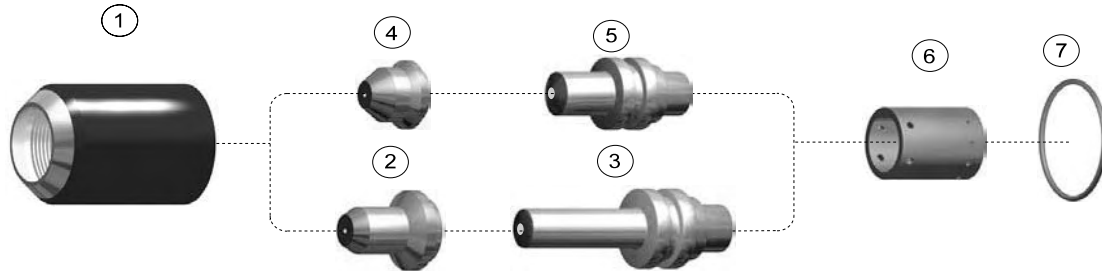
**REPLACEMENT PARTS FOR  
HYPERTHERM<sup>®</sup>**

<b>TORCH</b>	<b>SYSTEM</b>	<b>PAGE</b>
PAC110 <sup>®</sup> /PAC121 <sup>®</sup> /120 <sup>®</sup>	MAX20 <sup>®</sup> ,MAX40CS <sup>®</sup> ,MAX42 <sup>®</sup> ,MAX43 <sup>®</sup> .....	2
PAC140 <sup>®</sup>	MAX40 <sup>®</sup> /HT40 <sup>®</sup> .....	3
PAC130 <sup>®</sup>	MAX70 <sup>®</sup> ,MAX80 <sup>®</sup> ,MAX100 <sup>®</sup> .....	4,5
PAC160 <sup>®</sup>	MAX100D <sup>®</sup> .....	6
PAC105 <sup>®</sup> ,PAC110 <sup>®</sup> , PAC110T <sup>®</sup>	POWERMAX 190c <sup>®</sup> /350 <sup>®</sup> /380 <sup>®</sup> .....	7
PAC123T <sup>®</sup> /M <sup>®</sup> ,PAC121 <sup>®</sup> , PAC125 <sup>®</sup>	POWERMAX 600 <sup>®</sup> /800 <sup>®</sup> /900 <sup>®</sup> .....	8
PAC135 <sup>™</sup>	POWERMAX 1100 <sup>™</sup> .....	9
T60 <sup>®</sup> /T60M <sup>®</sup> ,T80 <sup>®</sup> /T80M <sup>®</sup>	POWERMAX 1000 <sup>®</sup> /1250 <sup>®</sup> .....	10
T100 <sup>®</sup> /T100M <sup>®</sup>	POWERMAX 1650 <sup>®</sup> .....	11
MAX200 <sup>®</sup> /HT2000 <sup>®</sup>	MAX200 <sup>®</sup> /HT2000 <sup>®</sup> .....	12,13
HT400 <sup>®</sup> /PAC170 <sup>®</sup> /PAC620 <sup>®</sup> / PAC600 <sup>®</sup> /PAC500 <sup>®</sup>	HT400 <sup>®</sup> /HT4000 <sup>®</sup> /HT4001 <sup>®</sup> /PAC600 <sup>®</sup> /PAC500 <sup>®</sup> .....	14,15
HT4400 <sup>®</sup>	HT4400 <sup>®</sup> .....	16
PAC182 <sup>®</sup> /PAC184 <sup>®</sup> / PAC185 <sup>®</sup> /PAC186 <sup>®</sup>	HD1070 <sup>®</sup> /HD3070 <sup>®</sup> .....	17

*HYPERTHERM<sup>®</sup>, PAC 110<sup>®</sup>, PAC 121<sup>®</sup>, PAC 120<sup>®</sup>, PAC 135<sup>™</sup>,  
PAC140<sup>®</sup>/PAC130<sup>®</sup>/PAC160<sup>®</sup>/PAC105<sup>®</sup>/PAC110<sup>®</sup>  
PAC110T<sup>®</sup>/PAC123T<sup>®</sup>/PAC123M<sup>®</sup>/PAC125<sup>®</sup>/T60<sup>®</sup>/T60M<sup>®</sup>/T80<sup>®</sup>  
T80M<sup>®</sup>/T100<sup>®</sup>/T100M<sup>®</sup>/MAX200<sup>®</sup>/HT2000<sup>®</sup>/HT400<sup>®</sup>  
PAC170<sup>®</sup>/PAC620<sup>®</sup>/PAC600<sup>®</sup>/PAC500<sup>®</sup>/HT4400<sup>®</sup>  
PAC182<sup>®</sup>/PAC184<sup>®</sup>/PAC185<sup>®</sup>/PAC186<sup>®</sup>, MAX20<sup>®</sup>, MAX40CS<sup>®</sup>,  
MAX42<sup>®</sup>, MAX43<sup>®</sup>, MAX40<sup>®</sup>, HT40<sup>®</sup>, MAX70<sup>®</sup>, MAX80<sup>®</sup>, MAX100<sup>®</sup>,  
MAX100D<sup>®</sup>, POWERMAX190c<sup>®</sup>, POWERMAX350<sup>®</sup>,  
POWERMAX380<sup>®</sup>, POWERMAX600<sup>®</sup>, POWERMAX800<sup>®</sup>,  
POWERMAX900<sup>®</sup>, POWERMAX1000<sup>®</sup>, POWERMAX1100<sup>™</sup>,  
POWERMAX1250<sup>®</sup>, POWERMAX1650<sup>®</sup>, HT4000<sup>®</sup>, HT4001<sup>®</sup>,  
PAC600<sup>®</sup>, PAC500<sup>®</sup>, HT4400<sup>®</sup>, HD1070<sup>®</sup>, HD3070<sup>®</sup>  
are registered trademarks of Hypertherm, Inc.*

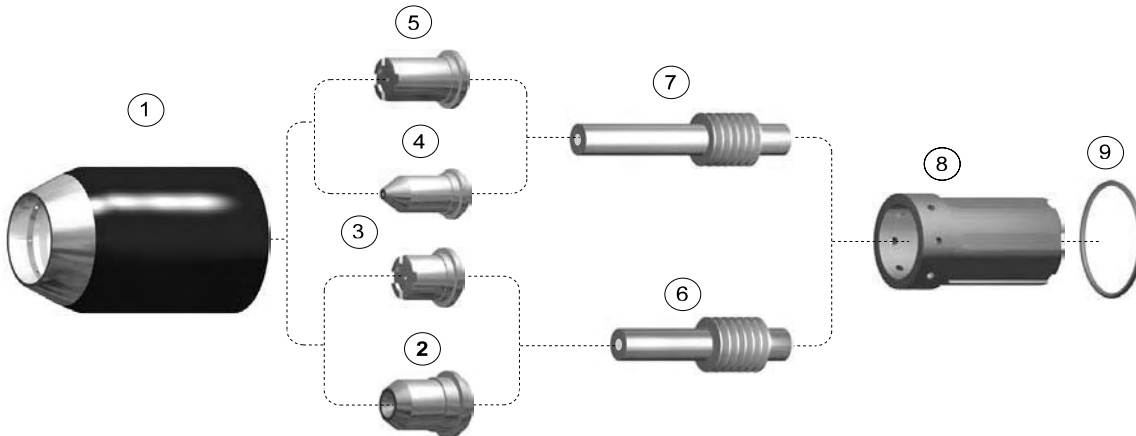
**REPLACEMENT PARTS FOR  
HYPERTHERM®**

**MAX-20®, PAC 110™ TORCHES**



Item	Part No	Ref. No.	Description	Std. Pkg	Item	Part No.	Ref. No	Description	Std. Pkg.
1.	T-0032	020218	Retaining Cap	1	7.	T-0038	044016	O-Ring	10
2.	T-0034	020381	Nozzle, Extended	10	NS	T-0644	005094	Switch	1
3.	T-0037	020382	Electrode, Extended	10	NS	T-1765	001192*	Torch Handle, PAC110	1
4.	T-0092	020219	Nozzle, .031	10	NS	T-1854	075339	Screw	5
	T-0033	020299	Nozzle, 20 Amp, .028	10	NS	T-1855	075340	Screw	5
5.	T-0036	020220	Electrode	10	NS	T-2224	KPH110	Parts Kit PAC110	1
6.	T-0035	020239	Swirl Ring	2					

**MAX-40CS®, MAX-42®, MAX-43®, PAC 120™ TORCH**



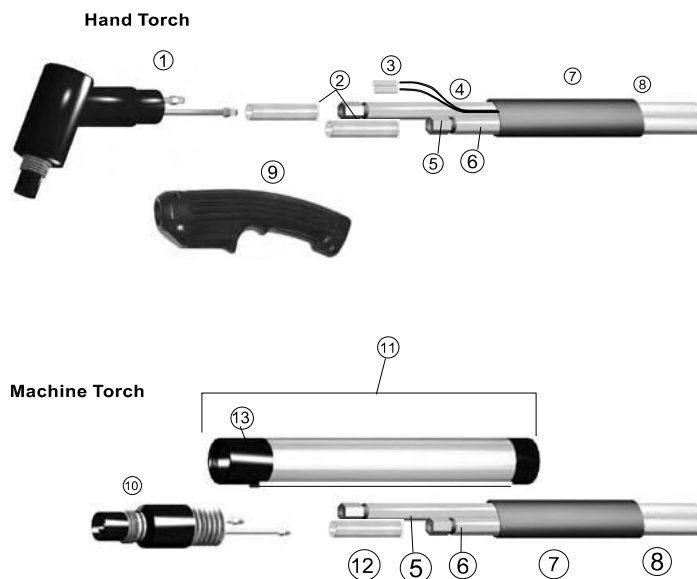
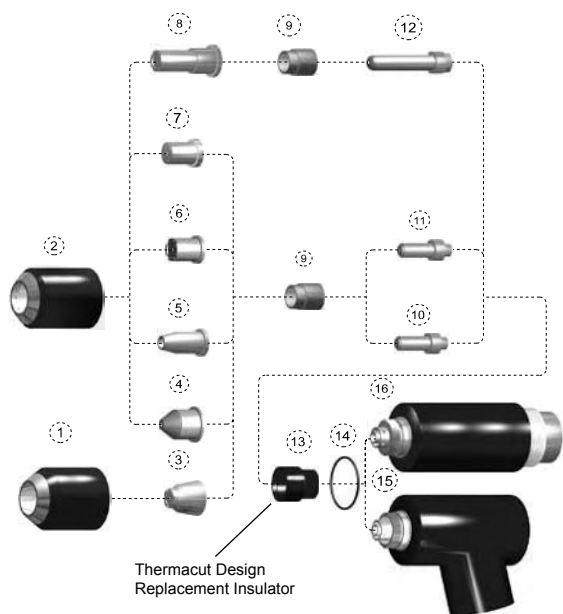
Item	Part No	Ref. No.	Description	Std. Pkg	Item	Part No.	Ref. No	Description	Std. Pkg.
1.	T-0026	020930	Retaining Cap	1	8.	T-0029	020361	Swirl Ring	2
2.	T-0094	020539	Gouging Nozzle	10	9.	T-0038	044016	O-Ring	10
3.	T-0028	020395	Nozzle	10	NS	T-1845	057172	Hand Torch w/ 25' Leads	1
	T-0027	020350	Nozzle, 40 Amp	10	NS	T-1767	001288*	Handle, R/H & L/H (Pair)	1
4.	T-0093	120023	Pipe Nozzle	5	NS	T-1766	001215*	Handle	1
	T-1799	020542	Pipe Nozzle, 40A	10	NS	T-1814	027254*	Spring, PAC121T	1
5.	T-0089	020546	Nozzle, Extended	10	NS	T-1844	049010	Switch, Pushbutton	1
6.	T-3419	120573*	Electrode	5	NS	T-2223	KPH120	Parts Kit PAC120	1
7.	T-2298	120574*	Electrode, Extended	5					

HYPERTHERM®, MAX20®, MAX40CS®, MAX42®, MAX43®, PAC110™, PAC120™ are the Registered Trademarks of HYPERTHERM INC. \* OEM Manufactured Parts

Thermacut is in no way affiliated with the above-named manufacturers. References to the above-named machines, torches, consumables and reference numbers are for convenience only. Most Thermacut parts are made for or by an IBG company. Parts indicated with a \* are original parts manufactured by the above named manufacturer and are being resold by Thermacut. Thermacut reserves the right to substitute OEM parts in place of Thermacut parts.

**REPLACEMENT PARTS FOR  
HYPERTHERM®**

**MAX40®, HT40®, PAC140™ TORCHES**



Item	Part No	Ref. No.	Description	Std. Pkg	Item	Part No.	Ref. No	Description	Std. Pkg.
1.	T-0044	020200	Retaining Cap, Tapered	1	10.	T-0052	020103	Electrode, Air	10
2.	T-0043	020104	Retaining Cap	1	11.	T-0053	020167	Electrode, Nitrogen	10
3.	T-0048	020197	Nozzle, Hi-Visibility	10	12.	T-0054	020467	Electrode, Extended	10
4.	T-0047	020131	Pipe Nozzle	10	13.	T-0095	020114-1	Torch Insulator TMT Design, Replaceable Part	1
5.	T-0096	020340	Gouging Nozzle	5	14.	T-0038	044016	O-Ring	10
6.	T-0045	020115	Nozzle, Hand	10	15.	T-0055	020122	TMT40, Torch W/Handle	1
7.	T-0046	020102	Nozzle, Machine	10	16.	T-0056	020114	TMT40, Machine Torch	1
8.	T-0050	020466	Nozzle, Extended	10	NS	T-0994	027055	Silicone Grease	1
9.	T-0051	020101	Swirl Ring	2	NS	T-3474	KPH140	Spare Parts Kit	1

**ACCESSORIES**

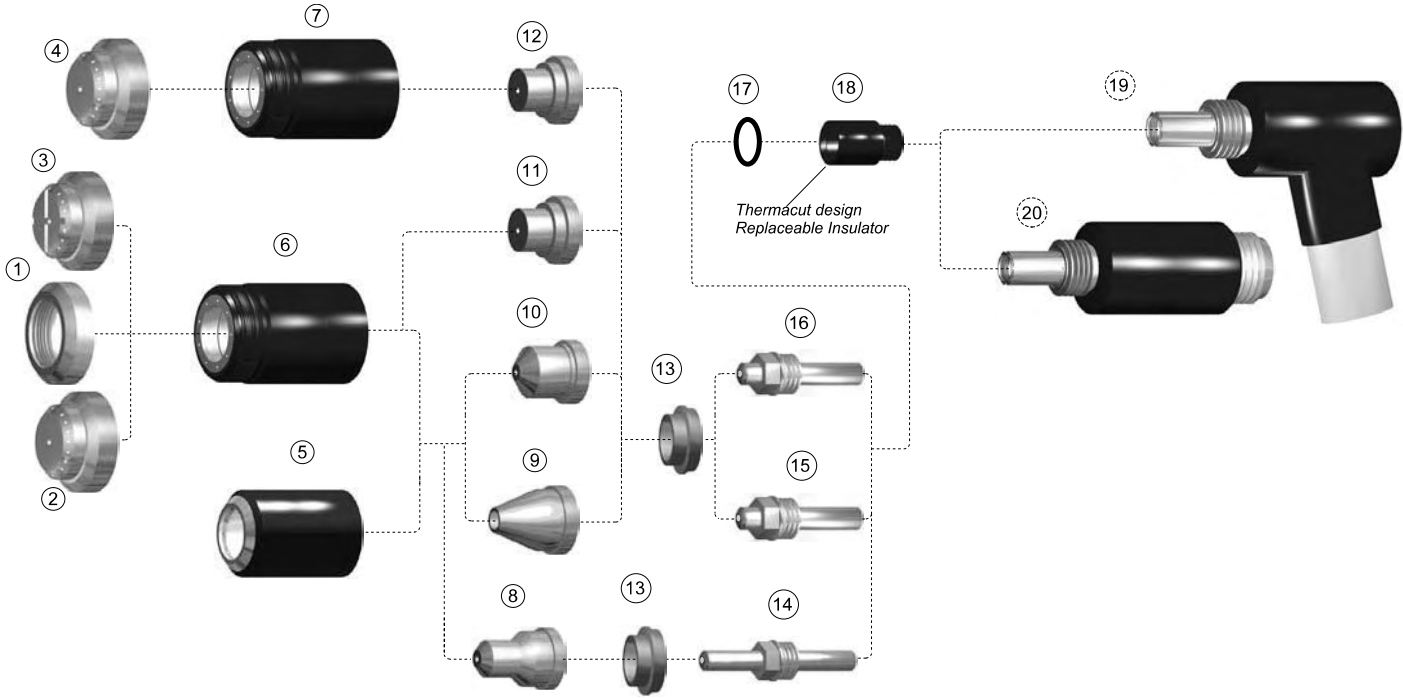
Item	Part No	Ref. No.	Description	Std. Pkg	Item	Part No.	Ref. No	Description	Std. Pkg.
1.	T-0055	020122	TMT40, Torch W/Handle	1	8.	T-0699	046034	Shielded Braid, Mach.	1
2.	T-0684	020536*	Lead Insulator (2)	1		T-0700	046038	Sheathing, Hand	1
3.	T-1039	074069	Splice (2)	1	9.	T-1040	9-5636-1	Handle W/Switch	1
4.	T-0701	047032	Control Cable	1	10.	T-0056	020114	TMT 40, Machine Torch	1
5.	T-0685	023156	Lead, Power, 25'	1	11.	T-0682	020231*	Position. Sleeve, 10" Rack	1
	T-0687	023158	Lead, Power, 35'	1		T-0683	020269*	Position. Sleeve, 18" Rack	1
	T-0689	023160	Lead, Power, 50'	1	12.	T-0679	004302*	Lead Insulator	1
6.	T-0686	023157	Lead, Hi-Frequency, 25'	1	13.	T-0681	020205*	Insulating Sleeve	1
	T-0688	023159	Lead, Hi-Frequency, 35'	1	NS	T-0704	057019	Machine Torch w/25' Leads	1
	T-0690	023161	Lead, Hi-Frequency, 50'	1	NS	T-0705	057020	Machine Torch w/50' Leads	1
7.	T-0694	028288	Leads, 25' Shielded	1	NS	T-0706	057053	Machine Torch w/25' Leads	1
	T-0695	028289	Leads, 35' Shielded	1	NS	T-0707	057054	Machine Torch w/50' Leads	1
	T-0696	028290	Leads, 50' Shielded	1	NS	T-0708	057112	Hand Torch w/25' Leads	1
	T-0697	029129	Leads, 25' Hand	1	NS	T-0709	057113	Hand Torch w/50' LeadS	1
	T-0698	029130	Leads, 50' Hand	1	NS	T-0644	005094	Switch	1

HYPERTHERM®, MAX40®, HT40®, PAC140™ are the Registered Trademarks of HYPERTHERM INC.

THERMACUT is in no way affiliated with the above-named manufacturers. References to the above-named machines, torches, consumables and reference numbers are for convenience only. Most Thermacut parts are made for or by an IBG company. Parts indicated with a \* are original parts manufactured by the above named manufacturer and are being resold by Thermacut. Thermacut reserves the right to substitute OEM parts in place of Thermacut parts.

**MAX70®, MAX80®, MAX100®, PAC 130™ TORCHES**

**REPLACEMENT PARTS FOR  
HYPERTHERM®**



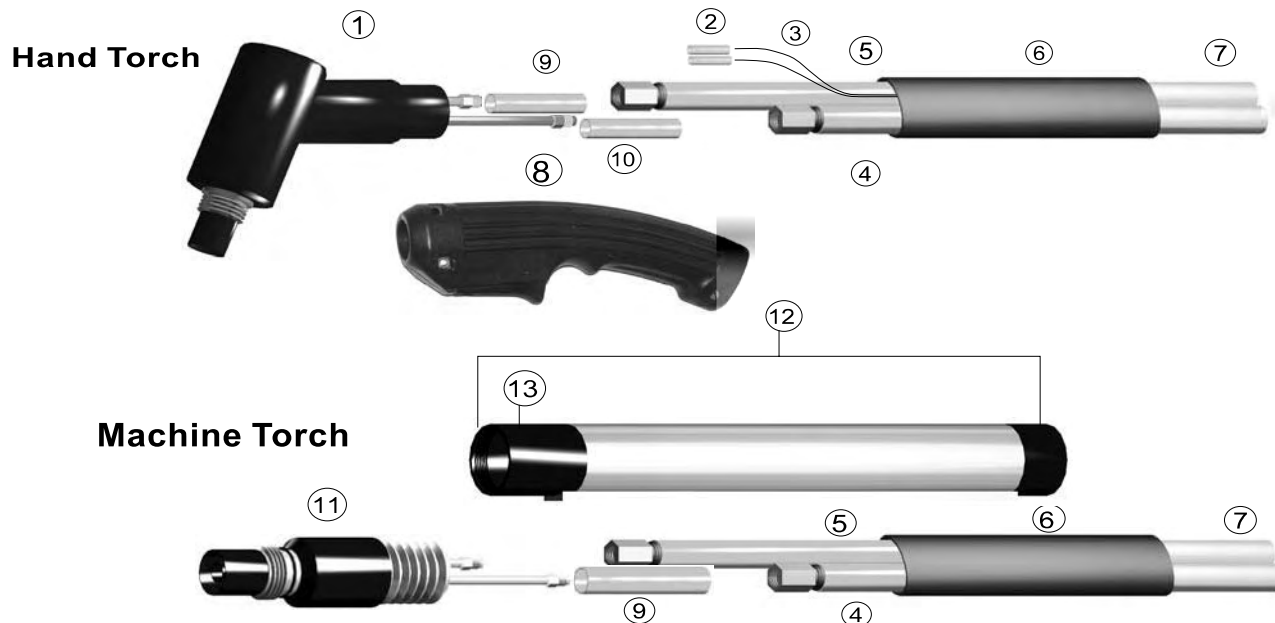
Item	Part No	Ref. No.	Description	Std. Pkg	Item	Part No.	Ref. No	Description	Std. Pkg.
1.	T-0070	020333	Deflector	1	T-0063	020337		Nozzle, 100 Amp, Shielded	5
2.	T-0071	020334*	Machine Shield, 100 Amp	1	12.	T-0099	020396	Nozzle, 40 Amp, Shielded	5
3.	T-0072	020335*	Hand Shield	1	13.	T-0065	020194	Swirl Ring	2
4.	T-1041	020492*	Machine Shield, 40 Amp	1	14.	T-0098	020564	Electrode, Extended	5
5.	T-0058	020184	Retaining Cap	1	15.	T-0067	020193	Electrode, Nitrogen	5
6.	T-0073	020336*	Shield Cap	1	16.	T-0066	020191	Electrode, Air	5
7.	T-0101	020490*	Shield Cap, 40 Amp	1	T-3825	120433*		Electrode	5
8.	T-0100	020563	Nozzle, Extended	5	17.	T-0074	026018	O-Ring	10
9.	T-0064	020339	Nozzle, Gouging	5	18.	T-0097	020189-1	Torch Insulator	1
10.	T-0059	020203	Nozzle, 40 Amp	5	19.	T-0068	020189	TMT 100, Hand Torch	1
	T-0060	020345	Nozzle, 80 Amp	5	20.	T-0069	020201	TMT 100, Machine Torch	1
	T-0061	020195	Nozzle, 100 Amp	5	NS	T-0994	027055	Silicone Grease	1
11.	T-0062	020397	Nozzle, 80 Amp, Shielded	5	NS	T-2222	KPH130	Spare Parts Kit	1

HYPERTHERM®, MAX70®, MAX80®, MAX100®, PAC130™ are the Registered Trademarks of HYPERTHERM INC. \* OEM Manufactured Parts

THERMACUT is in no way affiliated with the above-named manufacturers. References to the above-named machines, torches, consumables and reference numbers are for convenience only. Most Thermacut parts are made for or by an IBG company. Parts indicated with a \* are original parts manufactured by the above named manufacturer and are being resold by Thermacut. Thermacut reserves the right to substitute OEM parts in place of Thermacut parts.

## REPLACEMENT PARTS FOR HYPERTHERM®

### MAX70®, MAX80®, MAX100®, PAC 130™ TORCHES



Item	Part No	Ref. No.	Description	Std. Pkg	Item	Part No.	Ref. No	Description	Std. Pkg.
1.	T-0068	020189	TMT 100, Hand Torch	1	11.	T-0069	020201	TMT 100, Machine Torch	1
2.	T-1039	074069	Splice (2)	1	12.	T-0713	020243*	Positioning Sleeve, 10" Rack	1
3.	T-0701	047032	Control Cable	FT.		T-0715	020270*	Positioning Sleeve, 18" Rack	1
4.	T-0718	023198	Lead, Power, 25'	1	13.	T-0714	020244*	Insulating Sleeve	1
	T-0719	023199	Lead, Power, 50'	1		T-0117	020242*	Insulating Sleeve for 020243	1
	T-0722	023262	Leads, Power 75'	1		T-1792	020245*	Torch Mounting Sleeve	1
5.	T-0720	023200	Lead, Hi-Frequency, 25'	1	NS	T-0710	001214*	Torch Handle	1
	T-0721	023201	Lead, Hi-Frequency, 50'	1	NS	T-0711	001217*	Boot	1
	T-0723	023263	Leads, Hi-Frequency, 75'	1	NS	T-0644	005094	Switch	1
6.	T-0725	028326	Shielded Leads, 25'	1	NS	T-0724	027102	Electrode Wrench	1
	T-3722	028524**	Shielded Leads 25', w/ QD	1	NS	T-0727	028328*	Remote Start w/25' Cable	1
	T-0726	028327	Shielded Leads, 50'	1	NS	T-0732	059008	Machine Torch w/25' Leads	1
	T-2925	028525**	Shielded Leads 50', w/ QD	1	NS	T-4196	059096**	Machine Torch w/ 25' Leads, w/ QD	1
	T-0728	028335	Leads, Shielded, 75'	1	NS	T-0733	059009	Machine Torch w/50' Leads	1
	T-3956	028526**	Shielded Leads 75', w/ QD	1	NS	T-3501	059097**	Machine Torch w/ 50' Leads, w/ QD	1
	T-0729	029198	Leads Package, 25'	1	NS	T-0744	059031	Machine Torch w/ 75' Leads, w/o QD	1
	T-0730	029199	Leads Package, 50'	1	NS	T-0756	059076	Hand Torch w/ 25' Leads	1
	T-0371	029229	Hand Leads, 75'	1	NS	T-0757	059077	Hand Torch w/50' Leads	1
	T-2905	029667**	Leads Package, 25', w/QD	1	NS	T-0758	059079	Hand Torch w/ 75' Leads, w/o QD	1
7.	T-2906	029668**	Leads Package, 50' w/QD	1	NS	T-3355	059095**	Hand Torch w/ 75' Leads, w/ QD	1
	T-0699	046034	Shielded Braid	FT.	NS	T-0158	059093**	Hand Torch w/25' Leads & QD	1
8.	T-0700	046038	Sheathing	FT.	NS	T-1849	059094**	Hand Torch w/50' Leads & QD	1
9.	T-1040	9-5636-1	Handle W/Switch	1	NS	T-1822	028518*	Quick Disconnect	1
	T-0716	020468	Negative Lead Insulator	1	NS	T-1823	028519*	Recpt Assy: 80A/100A w/QD	1
10.	T-684	020536	Pilot Arc Lead Insulator	1	NS	T-4006	028909*	Plug Assembly, Machine Torch	1

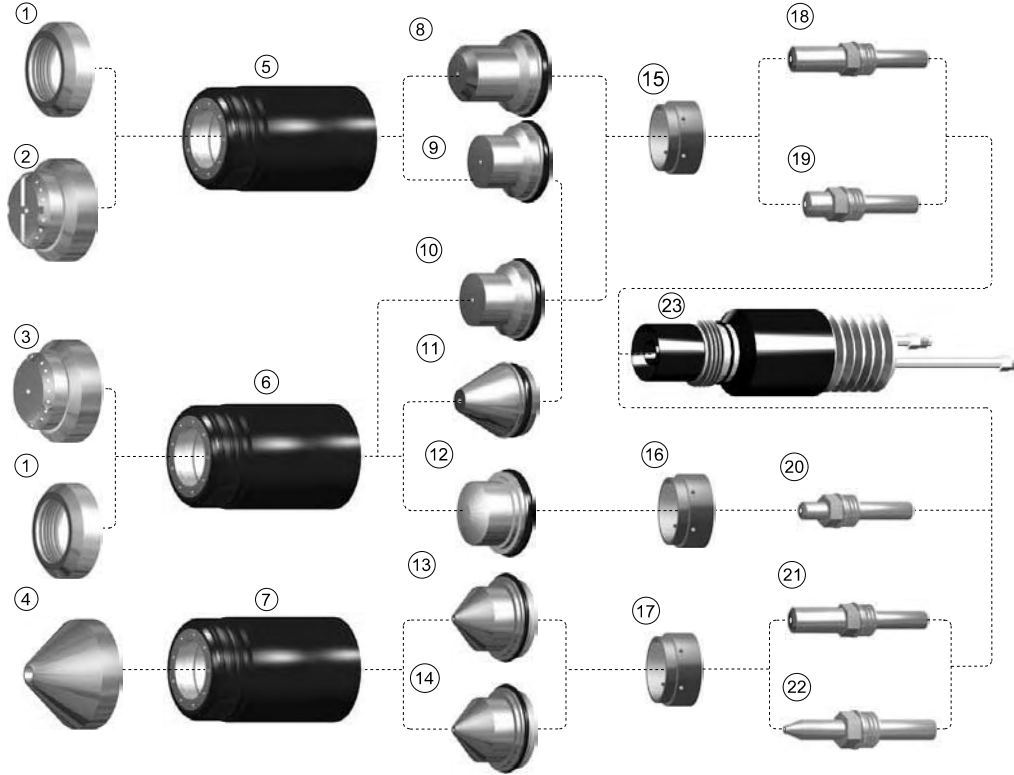
\*\*QD = Quick Disconnect

HYPERTHERM®, MAX70®, MAX80®, MAX100®, PAC130™ are the Registered Trademarks of HYPERTHERM INC. \* OEM Manufactured Parts

THERMACUT is in no way affiliated with the above-named manufacturers. References to the above-named machines, torches, consumables and reference numbers are for convenience only. Most Thermacut parts are made for or by an IBG company. Parts indicated with a \* are original parts manufactured by the above named manufacturer and are being resold by Thermacut. Thermacut reserves the right to substitute OEM parts in place of Thermacut parts.

**REPLACEMENT PARTS FOR  
HYPERTHERM®**

**MAX100D®, PAC 160™ TORCHES**



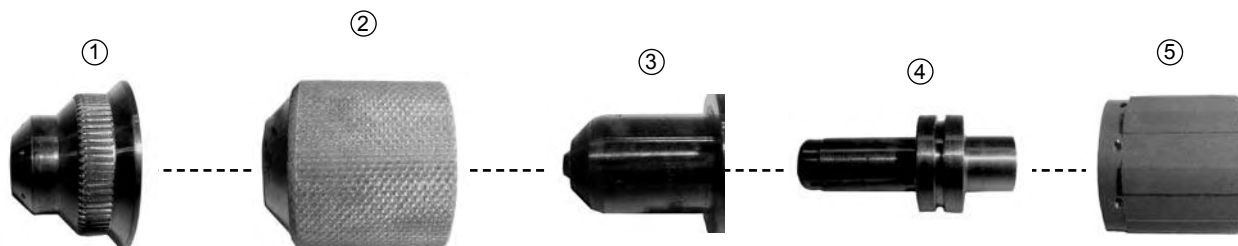
Item	Part No	Ref. No.	Description	Std. Pkg	Item	Part No.	Ref. No	Description	Std. Pkg.
1.	T-0070	020333	Deflector	1	15.	T-1059	020706	Swirl Ring	2
2.	T-0072	020335*	Shield, 100 A	1	16.	T-1060	020950	Swirl Ring, 40A	2
3.	T-1041	020492*	Machine Shield,60A	1	17.	T-1061	020750	Swirl Ring, Gouging	2
4.	T-1048	020712*	Shield, Gouging	1	18.	T-0098	020564	Electrode, Extended, AIR	5
5.	T-1049	020846*	Shield Cap, 100A	1		T-1062	020887	Electrode, Extended, N2	5
	T-0071	020334*	Shield Cap 100 Amp	1	19.	T-0066	020191	Electrode, AIR	5
6.	T-1050	020756*	Shield Cap, 60A	1		T-0067	020193	Electrode, N2	5
7.	T-1051	020699*	Shield Cap Gouging	1	20.	T-1063	020951	Electrode, AIR, 40A	5
8.	T-1052	020754*	Nozzle, Extended	1	21.	T-1064	020744	Electrode, Gouging, AIR	5
9.	T-1053	020705	Nozzle, 100A	5	22.	T-1065	020703*	Electrode, Gouging, H35	5
10.	T-1054	020753	Nozzle, 60A	5	23.	T-1398	020713	TMT 100D Machine Torch	1
11.	T-1055	020922	Nozzle, Unshielded, 60A	1		T-1399	020761*	TMT 100D Hand Torch	1
	T-0838	120336	Nozzle, Shielded 60A	5	NS	T-2316	020713-1	Torch Insulator	1
12.	T-1056	020921	Nozzle, Unshielded, 40A	1	NS	T-0994	027055	Silicone Grease	1
13.	T-1057	020745*	Nozzle, Gouging, AIR	1	NS	T-4007	028555*	Leads Package	1
14.	T-1058	020704*	Nozzle, Gouging, A/H35	1					1

HYPERTHERM®, MAX100D®, PAC160™ are the Registered Trademarks of HYPERTHERM INC. \* OEM Manufactured Parts

THERMACUT is in no way affiliated with the above-named manufacturers. References to the above-named machines, torches, consumables and reference numbers are for convenience only. Most Thermacut parts are made for or by an IBG company. Parts indicated with a \* are original parts manufactured by the above named manufacturer and are being resold by Thermacut. Thermacut reserves the right to substitute OEM parts in place of Thermacut parts.

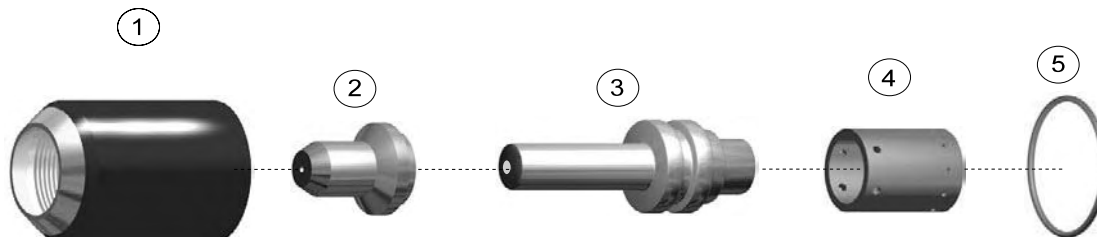
REPLACEMENT PARTS FOR  
**HYPERTHERM®**

**POWERMAX 190C®, PAC 105® TORCH**  
**POWERMAX 350®, PAC110® TORCH**  
**POWERMAX 380®, PAC110T® TORCH**



**POWERMAX 190C®, PAC 105® TORCH**

Item	Part No	Ref. No.	Description	Std. Pkg	Item	Part No.	Ref. No	Description	Std. Pkg.
1.	T-2943	120884*	Shield, Hand	1	3.	T-2941	120882*	Nozzle	5
2.	T-2944	120898*	Retaining Cap	1	4.	T-2940	120881*	Electrode	5
	T-4528	120883*	Retaining Cap, Unshielded	1	5.	T-2939	120880*	Swirl Ring	1



**POWERMAX 350®, PAC110® TORCH**

Item	Part No	Ref. No.	Description	Std. Pkg	Item	Part No.	Ref. No	Description	Std. Pkg.
1.	T-0032	020218	Retaining Cap	1	4.	T-0035	020239	Swirl Ring	2
2.	T-1860	120504	Nozzle, Extended, 25A	10	5.	T-0038	044016	O-Ring	10
3.	T-0037	020382	Electrode, Extended	10					

**POWERMAX 380®, PAC110T® TORCH**

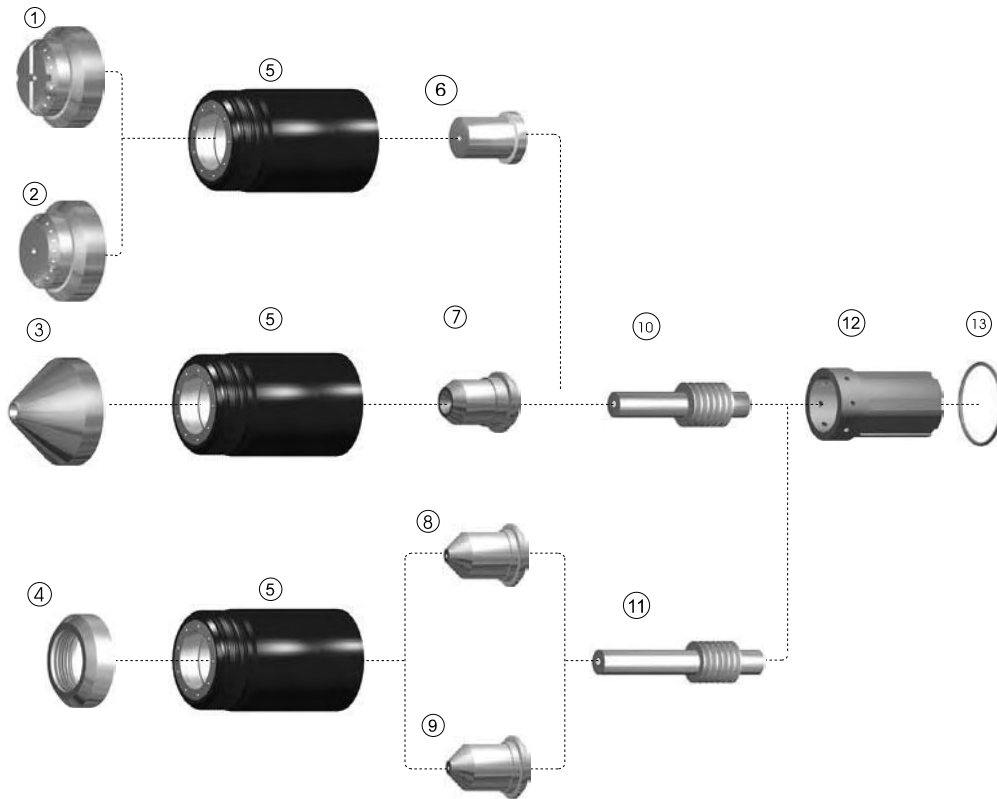
Item	Part No	Ref. No.	Description	Std. Pkg	Item	Part No.	Ref. No	Description	Std. Pkg.
1.	T-3905	220016	Retaining Cap	1	3.	T-0037	020382	Electrode	10
2.	T-1860	120504	Nozzle, Extended, 25A	10	4.	T-3904	220013	Swirl Ring	1

HYPERTHERM®, POWERMAX 350®, 380®, 190C®, PAC105®, PAC110®, PAC110T® are the Registered Trademarks of HYPERTHERM INC. \* OEM Manufactured Parts

THERMACUT is in no way affiliated with the above-named manufacturers. References to the above-named machines, torches, consumables and reference numbers are for convenience only. Most Thermacut parts are made for or by an IBG company. Parts indicated with a \* are original parts manufactured by the above named manufacturer and are being resold by Thermacut. Thermacut reserves the right to substitute OEM parts in place of Thermacut parts.

**REPLACEMENT PARTS FOR  
HYPERTHERM®**

**POWERMAX 600®, POWERMAX 800®,  
POWERMAX 900®, PAC123T/M™, PAC121™,  
PAC125™ TORCHES**



Item	Part No	Ref. No.	Description	Std. Pkg	Item	Part No.	Ref. No	Description	Std. Pkg.
1.	T-3410	120601*	Shield, 50A	1	10.	T-3419	120573*	Electrode	5
	T-2849	120828*	Shield, 600	1	11.	T-2298	120574*	Electrode, Extended	5
2.	T-3411	120602*	Shield, 50A, Machine	1	12.	T-2230	120576	Swirl Ring, 900	2
	T-2848	120827*	Shield, 600	1		T-0029	020361	Swirl Ring, 800	2
3.	T-1564	120608	Gouging Shield	1	13.	T-0038	044016	O-Ring	10
4.	T-1564	120303	Deflector	1	NS	T-0771	120556*	800 Torch Body w/Switch	1
5.	T-3413	120600*	Cap, Retaining	1	NS	T-0551	120570*	900 Torch Body	1
6.	T-3414	120577	Nozzle, 900, 55A	5	NS	T-2845	120583*	900 Machine Torch Body	1
	T-1567	120282	Nozzle, 800, 55A	5	NS	T-4185	129352	900 Lead Set, 25'	1
	T-2847	120826	Nozzle, 600	5	NS	T-4186	129353	900 Lead Set, 50'	1
7.	T-3415	120607	Nozzle, Gouging, 900	10	NS	T-4500	129002	800 Lead Set, 50'	1
	T-1568	120281	Nozzle, Gouging, 800	5	NS	T-4554	083066	900 Torch w/ 25' Leads	1
	T-2850	120831*	Nozzle, Gouging, 600	5	NS	T-4555	083067	900 Torch w/ 50' Leads	1
8.	T-3417	120578	Nozzle, Conical, 55A, 900	10	NS	T-4025	083130*	800 Torch w/ 25' Leads	1
	T-1570	120305	Nozzle, Conical, 55A, 800	5	NS	T-0975	120092	Nozzle, Pipe, Saddle	10
9.	T-3418	120606	Nozzle, Conical, 35A, 900/600	5	NS	T-1569	120304	Nozzle, Extended, 50A	5
	T-3420	120438	Nozzle, Conical, 35A, 800	5					

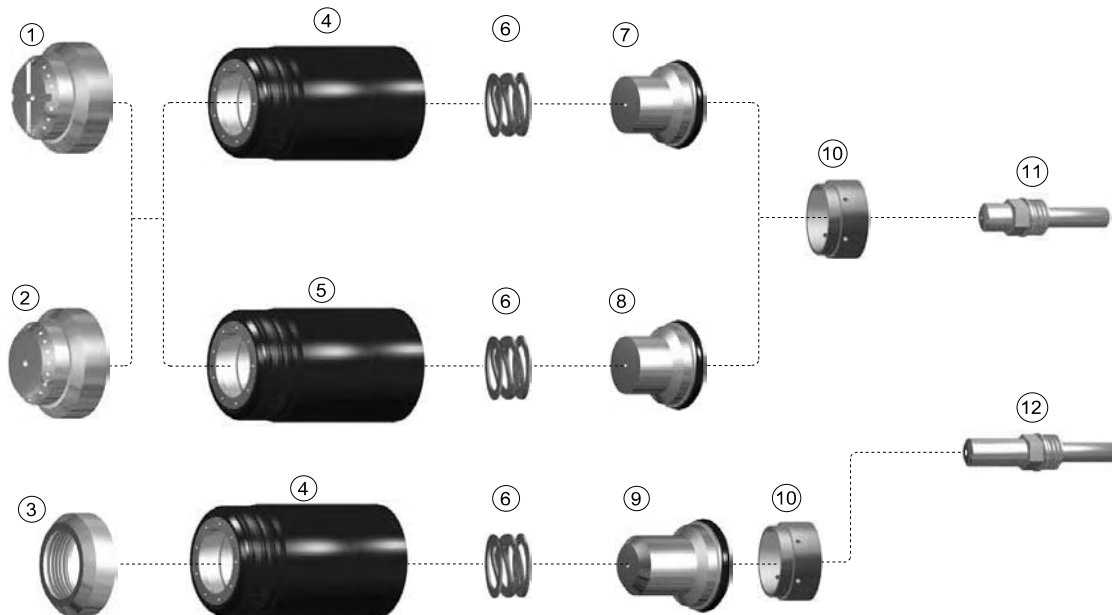
HYPERTHERM®, POWERMAX 600®, POWERMAX 800®, POWERMAX 900®, PAC123T/M™, PAC121™, PAC125™ are the Registered Trademarks of HYPERTHERM INC. \* OEM Manufactured Parts

THERMACUT is in no way affiliated with the above-named manufacturers. References to the above-named machines, torches, consumables and reference numbers are for convenience only. Most Thermacut parts are made for or by an IBG company. Parts indicated with a \* are original parts manufactured by the above named manufacturer and are being resold by Thermacut. Thermacut reserves the right to substitute OEM parts in place of Thermacut parts.



REPLACEMENT PARTS FOR  
**HYPERTHERM®**

**POWERMAX1100™, PAC 135™ TORCHES**



**PRODUCT INNOVATION**

Our unique nozzle design for the PAC 135™ torch features a reusable spring. On the current OEM parts, the springs are locked onto the nozzle and are thrown away every time the nozzle is changed. Now you can order the 40 Amp, 80 Amp or extended nozzles and springs under separate part numbers and change the spring from nozzle to nozzle. You only need to replace the spring as it needs to be changed and saving the cost of the spring on every new nozzle changed. Please use our T-2527 separately for whichever nozzle you use.

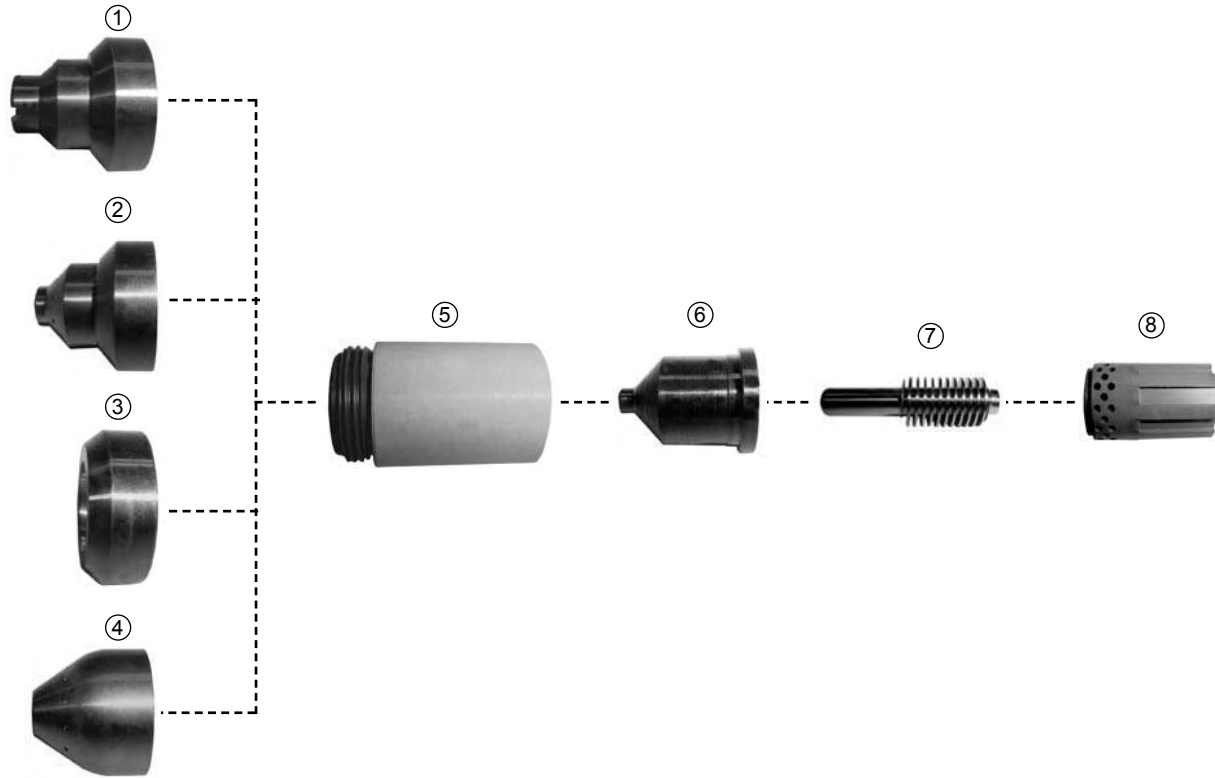
Item	Part No	Ref. No.	Description	Std. Pkg	Item	Part No.	Ref. No	Description	Std. Pkg.
1.	T-2237	120475*	Hand Shield	1	NS	T-2344	120509*	Nozzle Gouging	5
2.	T-2238	120516*	Machine Shield	1	NS	T-2343	120510*	Gouging Shield	1
3.	T-2239	120519	Deflector	1	NS	T-0537	120477	Hand Torch	1
4.	T-2240	120483*	Retaining Cap	1	NS	T-2842	120508	Machine Torch	1
5.	T-2241	120520*	Retaining Cap, 40 Amp	1	NS	T-3328	129559*	Torch Lead 25'	1
6.	T-2527	T-2527	Tip Spring	5	NS	T-3329	129560*	Torch Lead 50'	1
7.	T-2531	T-2531	Nozzle, 80 Amp	5	NS	T-0538	085001	Torch w/ 25' Leads, 1100	1
8.	T-2530	T-2530	Nozzle, 40 Amp	5	NS	T-3330	085061	1100 Torch & 50' Leads	1
9.	T-2532	T-2532	Nozzle, Extended	5	NS	T-3984	128148*	Spare Parts Kit	1
10.	T-2245	120474	Swirl Ring	2	NS	T-4585	002287*	Handle	1
11.	T-2246	120473	Electrode	5	NS	T-4586	002299*	Trigger	1
12.	T-2247	120517	Electrode, Extended	5					

HYPERTHERM®, POWERMAX1100™, PAC135™ are the Registered Trademarks of HYPERTHERM INC. \* OEM Manufactured Parts

THERMACUT is in no way affiliated with the above-named manufacturers. References to the above-named machines, torches, consumables and reference numbers are for convenience only. Most Thermacut parts are made for or by an IBG company. Parts indicated with a \* are original parts manufactured by the above named manufacturer and are being resold by Thermacut. Thermacut reserves the right to substitute OEM parts in place of Thermacut parts.

REPLACEMENT PARTS FOR  
**HYPERTHERM®**

**POWERMAX 1000®, POWERMAX 1250®  
T60™, T60M™, T80™, T80M™ TORCHES**



**POWERMAX 1000®, T60™, T60M™ TORCH**

Item	Part No	Ref. No.	Description	Std. Pkg	Item	Part No.	Ref. No	Description	Std. Pkg.
1.	T-3725	120929*	Shield, Hand, Shld	1	T-8405	120931		Nozzle, Hand, Shld, 60 Amp	5
2.	T-3726	120930*	Shield, Machine, Shld	1	T-3943	220059*		Nozzle, Gouging, 60 Amp	5
3.	T-4188	120979	Deflector, Ushld	1	T-3889	220006		Nozzle, Extended 40 Amp	5
4.	T-3732	120977*	Shield, Gouging	1	T-3924	220007		Nozzle, Extended, 60 Amp	5
5.	T-3727	120928*	Retaining Cap	1	7.	T-3730	120926*	Electrode	5
6.	T-3891	120932	Nozzle, Shld, 40 Amp	5	8.	T-3731	120925*	Swirl Ring	1

**POWERMAX 1250®, T80™, T80M™ TORCH**

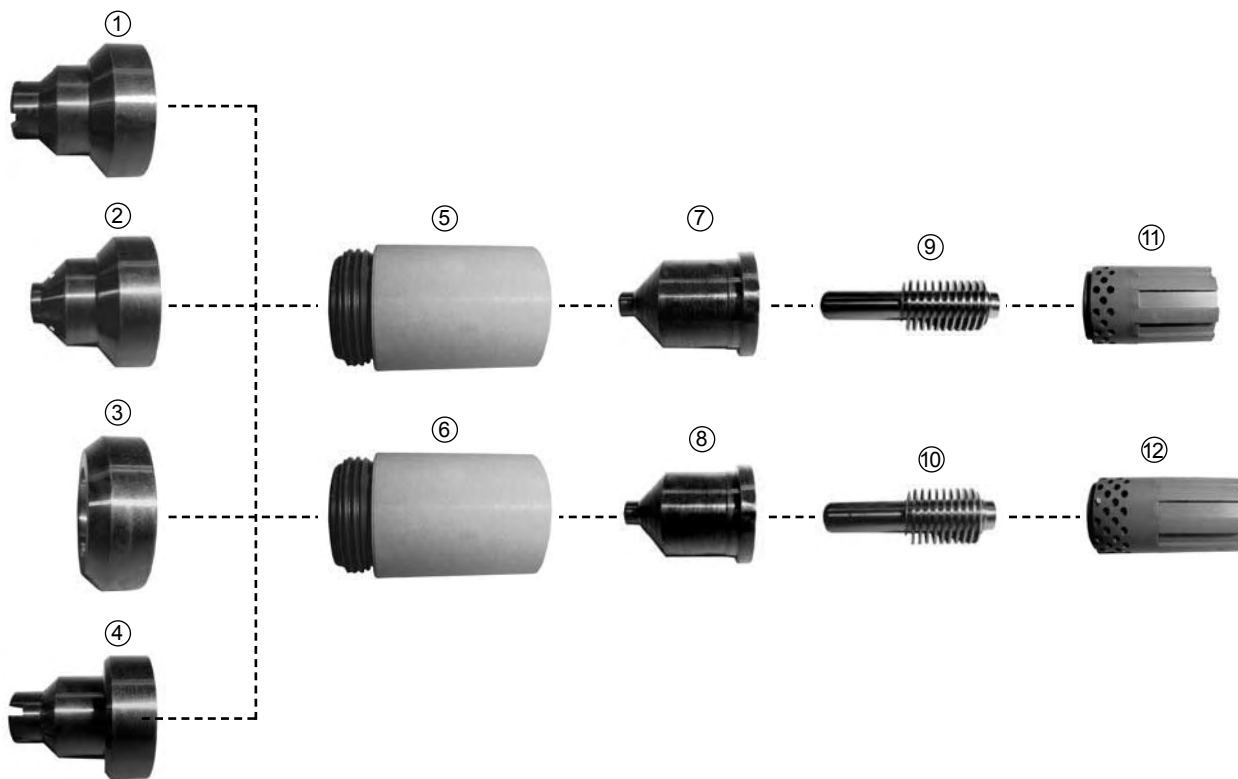
Item	Part No	Ref. No.	Description	Std. Pkg	Item	Part No.	Ref. No	Description	Std. Pkg.
1.	T-3725	120929*	Shield, Hand	1	T-3890	120927		Nozzle, Shielded, 80 Amp	5
2.	T-3726	120930*	Shield, Machine	1	T-3734	120978*		Nozzle, Gouging, 80 Amp	5
3.	T-4188	120979	Deflector	1	T-3889	220006		Nozzle, Extended 40 Amp	5
4.	T-3732	120977*	Shield, Gouging	1	T-3892	120980		Nozzle, Extended, 80 Amp	5
5.	T-3727	120928*	Retaining Cap	1	7.	T-3730	120926*	Electrode	5
6.	T-3891	120932	Nozzle, 40 Amp	5	8.	T-3731	120925*	Swirl Ring	1

HYPERTHERM®, POWERMAX 1000®, POWERMAX 1250®, T60™, T60M™, T80™, T80M™ are the Registered Trademarks of HYPERTHERM INC. \* OEM Manufactured Parts

THERMACUT is in no way affiliated with the above-named manufacturers. References to the above-named machines, torches, consumables and reference numbers are for convenience only. Most Thermacut parts are made for or by an IBG company. Parts indicated with a \* are original parts manufactured by the above named manufacturer and are being resold by Thermacut. Thermacut reserves the right to substitute OEM parts in place of Thermacut parts.

REPLACEMENT PARTS FOR  
**HYPERTHERM®**

**POWERMAX 1650®, T-100™, T-100M™ TORCH**



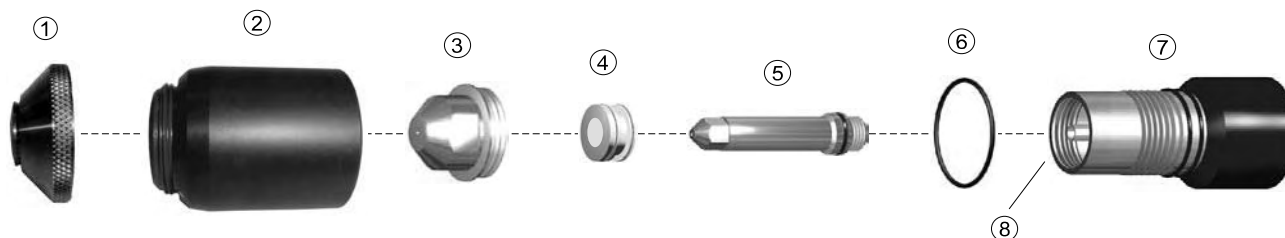
Item	Part No	Ref. No.	Description	Std. Pkg	Item	Part No.	Ref. No	Description	Std. Pkg.
1.	T-3725	120929*	Shield, Machine	1		T-3889	220006	Nozzle, Extended 40 Amp	5
2.	T-4132	220065*	Shield, Machine	1		T-4572	220007	Nozzle, Unshielded 60 Amp	5
3.	T-3737	120979*	Deflector	1		T-3943	220059*	Nozzle, Gouging	5
4.	T-3732	120977*	Gouging Shield	1		T-3734	120978*	Nozzle, Gouging	5
5.	T-3727	120928*	Shield Cap	1	8.,	T-4571	220011	Nozzle, 100 Amp	5
	T-4573	220061*	Shield Cap (ohmic)	1		T-4190	220064	Nozzle, Extended 100 Amp	5
6.	T-4133	220048*	Shield Cap	1		T-4136	220063*	Nozzle, Gouging	5
	T-4171	220206*	Shield Cap (ohmic)	1	9.	T-3730	120926*	Electrode	5
7.	T-3891	120932	Nozzle, 40 Amp	5	10.	T-4164	220037*	Electrode	5
	T-8405	120931	Nozzle, 60 Amp	5	11.	T-3731	120925*	Swirl Ring	1
	T-3890	120927	Nozzle, 80 Amp	5	12.	T-4135	220051*	Swirl Ring	1

HYPERTHERM®, POWERMAX 1650®, T100™, T100M™ are the Registered Trademarks of HYPERTHERM INC. \* OEM Manufactured Parts

THERMACUT is in no way affiliated with the above-named manufacturers. References to the above-named machines, torches, consumables and reference numbers are for convenience only. Most Thermacut parts are made for or by an IBG company. Parts indicated with a \* are original parts manufactured by the above named manufacturer and are being resold by Thermacut. Thermacut reserves the right to substitute OEM parts in place of Thermacut parts.

**MAX200<sup>®</sup>, HT2000<sup>®</sup>,  
HY SPEED<sup>®</sup> HT2000<sup>®</sup>**

**REPLACEMENT PARTS FOR  
HYPERTHERM<sup>®</sup>**



Item	Part No	Ref. No.	Description	System	Std. Pkg	Item	Part No.	Ref. No	Description	System	Std. Pkg.
1.	T-3874**		Shield, Mach,Air/Oxy, 200A, TMT	200/2000	1	T-2799**			Swirl Ring, Oxy,200A	2000	1
	T-3948**		Shield, Mach, Air/Oxy, 100A, TMT	200/2000	1	T-1046	120833*		Swirl Ring, Oxy,200A	2000	1
	T-0365	020424*	Shield, Mach, 200A	200/2000	1	T-2544**			Swirl Ring, 40A Air/Oxy, 100A	200	1
	T-0366	020448*	Shield, 100A	200/2000	1	T-0379	020613*		Swirl Ring, 40A Air/Oxy, 100A	200	1
	T-0362	020446*	Shield, Hand, 200A	200	1	T-2801**			Swirl Ring, AirN2, 200A	2000	1
	T-0367	020602	Shield, ArH2, 200A	200/2000	1	T-1047	020679*		Swirl Ring, AirN2, 200A	2000	1
	T-3304	020918*	Shield, Hand, ArH2, 200A	200	1	T-2542**			Swirl Ring, Oxy, 200A	200	1
	T-0368	020688	Shield, 40A, Mach	200/2000	1	T-0377	020604*		Swirl Ring, Oxy, 200A	200	1
	T-0363	020566*	Shield, Water Muffler,200A	200/2000	1	T-2545			Swirl Ring, Oxy, 100A	200	1
	T-0364	020618*	Shield, Water Muffler,100A	200/2000	1	T-0380	020617*		Swirl Ring, Oxy, 100A	200	1
	T-0367	020485*	Shield, Gouging	200/2000	1	T-0236	220236*		Swirl Ring, Oxy, 200A, HySpeed <sup>®</sup>	2000	1
	T-4579	220239	Shield, Oxy, 200A, HySpeed <sup>®</sup>	2000	1	5.	T-3561	020414	Electrode, Air/Oxy, SL	200	5
2.	T-4110**		Retaining Cap, Super Duty, TMT	200/2000	1	T-0382	020415		Electrode, N2, ArH2	200/2000	5
	T-0370	020423*	Retaining Cap	200/2000	1	T-0381	020664		Electrode, Air/Oxy, 200A, SL	2000	5
	T-2851	120837*	Retaining Cap w/ IHS tab	200/2000	1	T-0998	120667		Electrode, Air/Oxy, 200A, SL	2000	5
	T-4578	220238	Retaining Cap, Oxy, 200A, HySpeed <sup>®</sup>	200/2000	1	T-4901**	020664AG		Electrode, 200A, Silver-EX	200/2000	5
	T-0984	120185*	Retaining Cap, 50A	2000	1	T-8859	220235		Electrode, Oxy, 200A, HySpeed <sup>®</sup>	2000	5
3.	T-0371	020605	Nozzle, Oxy, .082, 200A	200/2000	5	T-3872	120258		Electrode, Oxy, 200A, Bevel	200/2000	5
	T-0372	020608	Nozzle, Air N2ArH2, .086, 200A	200/2000	5	T-0773	120547		Electrode, Oxy, 100A	200/2000	5
	T-0373	020611	Nozzle, Air, .059, 100A	200/2000	5	T-2834	120178*		Electrode, Oxy, 50A	2000	5
	T-0375	020616	Nozzle, Oxy, .055, 100A	200	5	6.	T-0383	044027	O'Ring	200/2000	10
	T-0376	020689	Nozzle, Air, .038, 40A	200	5	7.	T-0384	020470	Machine Torch, TMT	200/2000	1
	T-1045	020690	Nozzle, Oxy, .055, 100A	2000	5	T-3717	120584		Machine Torch, TMT	200/2000	1
	T-8860	220237	Nozzle, Oxy, 200A, HySpeed <sup>®</sup>	2000	1	T-4066	120356		Machine Torch, 2", Stainless Steel	2000	1
	T-2389	120259	Nozzle, Oxy, 200A, Bevel	200/2000	5	8.	T-4119		Water Tube,TMT	200/2000	1
	T-2836	120182*	Nozzle, Oxy, 50A	2000	1	T-1813	020963*		Water Tube	200/2000	1
4.	T-2543**		Swirl Ring, Air, N2, ArH2, 200A	200	1	NS	T-1397		Water Tube Wrench, TMT	200/2000	1
	T-0378	020607*	Swirl Ring, Air, N2, ArH2, 200A	200	1	NS	T-1816	027347*	Water Tube Wrench	200/2000	1

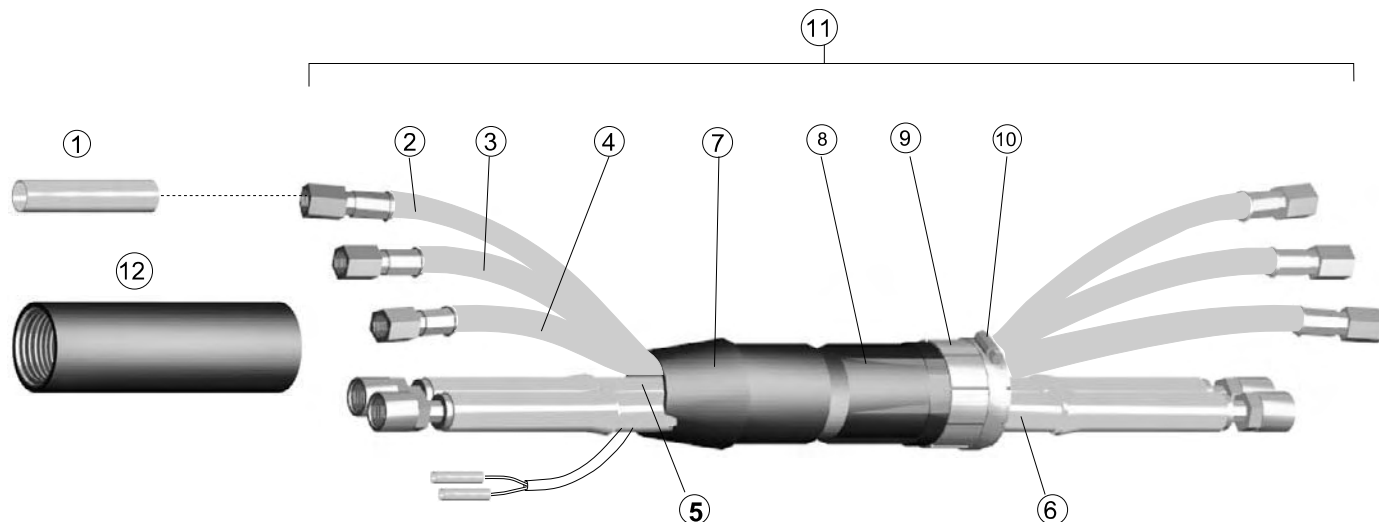
**\*\*A UNIQUE DESIGN WHICH ENHANCES PERFORMANCE AND DIFFERS FROM OEM DESIGNS**

HYPERTHERM<sup>®</sup>, MAX200<sup>®</sup>, HT2000<sup>®</sup>, HY SPEED<sup>®</sup> HT2000<sup>®</sup> are the Registered Trademarks of HYPERTHERM INC. \* OEM Manufactured Parts

THERMACUT is in no way affiliated with the above-named manufacturers. References to the above-named machines, torches, consumables and reference numbers are for convenience only. Most Thermacut parts are made for or by an IBG company. Parts indicated with a \* are original parts manufactured by the above named manufacturer and are being resold by Thermacut. Thermacut reserves the right to substitute OEM parts in place of Thermacut parts.

**MAX200<sup>®</sup>, HT2000<sup>®</sup>,  
HY SPEED<sup>®</sup> HT2000<sup>®</sup>**

**REPLACEMENT PARTS FOR  
HYPERTHERM<sup>®</sup>**



Item	Part No	Ref. No.	Description	Std. Pkg	Item	Part No.	Ref. No	Description	Std. Pkg.
1.	T-0646	020536	Lead Insulator	1	9.	T-0600	004080	Collar, Shielded Leads	1
2.	T-0649	023326	Lead Pilot, Shield Gas, 25' Blue	1	10.	T-0602	015090	Clamp, Shielded Leads	1
	T-0650	023327	Lead Pilot, Shield Gas, 50' Blue	1	11.	T-0669	028383	Shielded Leads, 25'	1
3.	T-0653	024194	Lead, Plasma Gas, 25' Red	1		T-0670	028384	Shielded Leads, 50'	1
	T-0654	024195	Lead, Plasma Gas, 50' Red	1		T-0671	028457	Shielded Leads, 30'	1
4.	T-0651	024192	Lead, Cap Sensor, 25' Gray	1		T-0672	028458	Shielded Leads, 35'	1
	T-0652	024193	Lead, Cap Sensor, 50' Gray	1		T-0673	028459	Shielded Leads, 40'	1
5.	T-0647	023324	Cable, Water Cooled, 25' Red	1		T-0674	028460	Shielded Leads, 45'	1
	T-0648	023325	Cable, Water Cooled, 50' Red	1	12.	T-0386	020431	Insulating Sleeve	1
6.	T-0647	023324	Cable, Water Cooled, 25' Green	1	NS	T-0994	027055	Silicone Grease	1
	T-0648	023325	Cable, Water Cooled, 50' Green	1	NS	T-0655	024197	Sheath 25'	1
7.	T-0677	046026	Shrink-on Tubing	1	NS	T-0666	024198	Sheath 50'	1
8.	T-1044	046061	2" ID Tinned Braid	1					

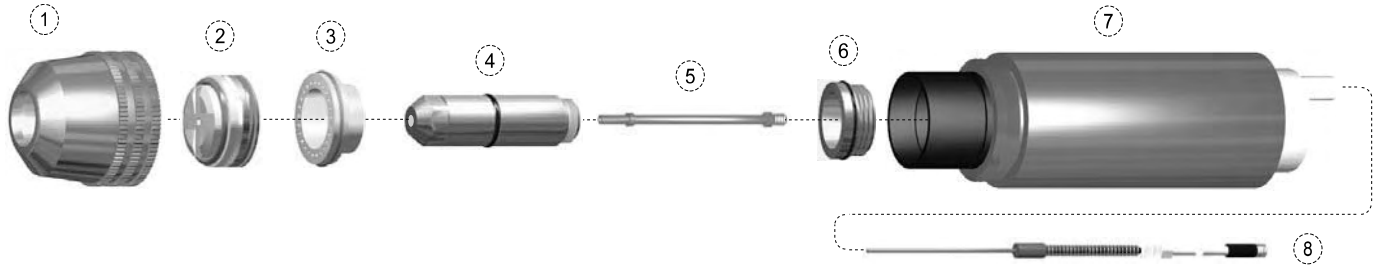
**NOTE: PLEASE VERIFY FITTINGS ON LEADS**

HYPERTHERM<sup>®</sup>, MAX200<sup>®</sup>, HT2000<sup>®</sup>, HY SPEED<sup>®</sup> HT2000<sup>®</sup> are the Registered Trademarks of HYPERTHERM INC. \* OEM Manufactured Parts

THERMACUT is in no way affiliated with the above-named manufacturers. References to the above-named machines, torches, consumables and reference numbers are for convenience only. Most Thermacut parts are made for or by an IBG company. Parts indicated with a \* are original parts manufactured by the above named manufacturer and are being resold by Thermacut. Thermacut reserves the right to substitute OEM parts in place of Thermacut parts.

**REPLACEMENT PARTS FOR  
HYPERTHERM®**

**HT400®, HT4000®,  
HT4001®, PAC600®**



Item	Part No	Ref. No.	Description	System	Std. Pkg	Item	Part No.	Ref. No.	Description	System	Std. Pkg.
1.	T-0088	020579	Retaining Cap, Tapered	400/4000/4001/600	1		T-0021	020042	Swirl Ring,N2,.120/.166/.187CCW	400/4000/600	2
	T-0508	020580	Retaining Cap, Std.	4001/600	1		T-1784	020079	Swirl Ring,N2,.220,CCW	600	1
	T-4506	120390*	Retaining Cap, Vectra	4001	1		T-0023	020048	Swirl Ring,.250	600	2
	T-1379	120004*	Retaining Cap, N2, Bevel	4001	1	4.	T-0083	020081	Electrode, Oxy,260A,SL	400/600	5
2.	T-0078	020086	Nozzle, .099, Oxy	400/4000/4001/600	1		T-1293	020663	Electrode, Oxy,260A,SL	4000/4001	5
	T-4508	120384*	Nozzle, .099,Oxy,Bevel,	4001	1		T-4908**	020663AG	Electrode,Oxy,260A,Silver-EX	400/4000/4001	5
	T-1795	020392	Nozzle, .099,Oxy, CCW	4001	1		T-4909**	120090AG	Electrode,Oxy,340A,Silver-EX	4000/4001	5
	T-4576	120386*	Nozzle, .120,N2,Bevel	4001	1		T-1010	020723*	Electrode,Oxy, Bevel	4000	1
	T-3855	120387	Nozzle, .166,N2,Bevel	4001	1		T-0084	020082	Electrode,N2	400/4000/4001	5
	T-3715	120388*	Nozzle, .187,N2,Bevel	4001	1		T-0499	020285	Electrode,N2AR2	4001/600	5
	T-4576	120389*	Nozzle, .220,N2,Bevel	4001	1		T-1387	020968	Electrode,N2,Bevel	4001	5
	T-0510	020282	Nozzle, .166,N2	4001/600	1	5.	T-1388		Water Tube, TMT	400/4000/4001	1
	T-0511	020283	Nozzle, .187,N2	4001/600	1		T-3204		Water Tube, Bevel		1
	T-0512	020284	Nozzle, .220,N2	4001/600	1		T-1389	020990*	Water Tube, OEM	400/4000/4001/600	1
	T-0079	020089	Nozzle, .120,N2	400	1		T-1390	020991*	Water Tube,N2,Bevel	4001	1
	T-0080	020084	Nozzle, .166,N2	400	1	7.	T-0085**	020080	Machine Torch	400	1
3.	T-0081	020096	Swirl Ring, Oxy, .099,8-hole	400	2		T-1393**	020328	Machine Torch	4000/4001/600	1
	T-0087	020097	Swirl Ring, Oxy,CCW, 8-hole	400	2	NS	T-1397		Water Tube Wrench,TMT	400/4000/4001/600	1
	T-1292	020623*	Swirl Ring, Oxy	4000/4001	1	NS	T-1816	027347*	Water Tube Wrench,OEM	400/4000/4001/600	1
	T-1381	120135*	Swirl Ring, Oxy, 340A	4001	1	NS	T-1392		Nozzle Ring,TMT Machine Torch	400/4000/4001/600	1
	T-1002	020380	Swirl Ring, Oxy, .099,4-hole	400/600	2	NS	T-1394		HF Feed Assy, TMT Machine Torch	400/4000/4001/600	1
	T-0020	020039	Swirl Ring,N2,.120/.166/.187	400/400/4001/600	2	NS	T-0994	027055	Silicone Grease	All	1
	T-0022	020040	Swirl Ring,N2,.220	4001/600	2						

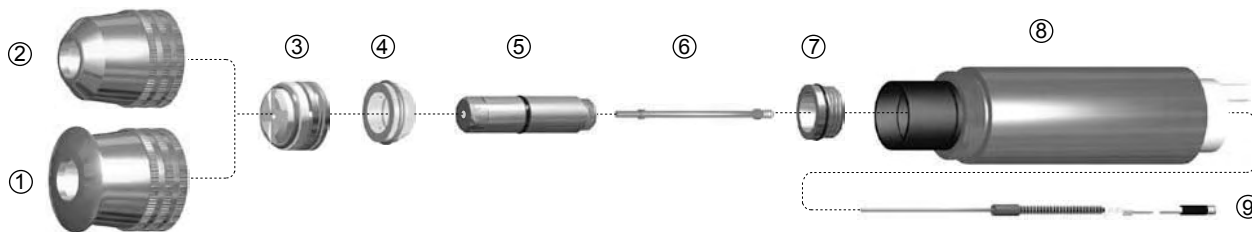
**\*\*A UNIQUE DESIGN WHICH ENHANCES PERFORMANCE AND DIFFERS FROM OEM DESIGNS**

HYPERTHERM®, HT400®, HT4000®, HT4001®, PAC600® are the Registered Trademarks of HYPERTHERM INC. \* OEM Manufactured Parts

THERMACUT is in no way affiliated with the above-named manufacturers. References to the above-named machines, torches, consumables and reference numbers are for convenience only. Most Thermacut parts are made for or by an IBG company. Parts indicated with a \* are original parts manufactured by the above named manufacturer and are being resold by Thermacut. Thermacut reserves the right to substitute OEM parts in place of Thermacut parts.

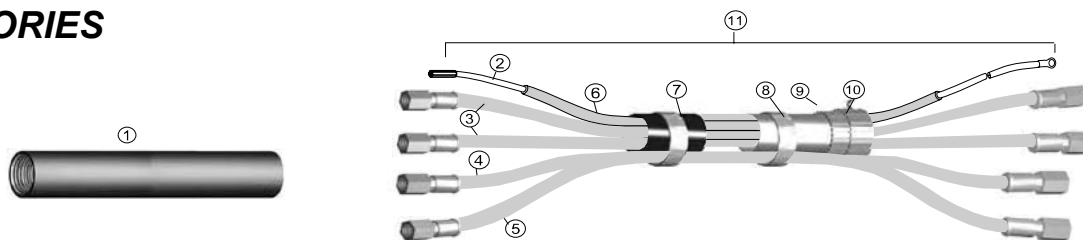
## REPLACEMENT PARTS FOR HYPERTHERM®

### PAC500®



Item	Part No	Ref. No.	Description	Std. Pkg	Item	Part No.	Ref. No.	Description	Std. Pkg.
1.	T-0015	020043	Retaining Cap, Flared	1	T-0021	020042		Swirl Ring, .120, .166, .187CCW	2
2.	T-0014	020034	Retaining Cap, Tapered	1	T-0020	020039		Swirl Ring, .120, .166, .187	2
3.	T-0018	020037	Nozzle, .220	1	5.	T-0024	020038	Electrode	5
	T-0017	020036	Nozzle, .187	1	6.	T-1395	T-1395	Water Tube, TMT	1
	T-0016	020035	Nozzle, .166	1		T-0594	120035	Water Tube, OEM	1
	T-0086	020050	Nozzle, .120	1	7.	T-1396	T-1396	Nozzle Ring	1
	T-0019	020047	Nozzle, .250	1	8.	T-0025	020030	Torch Body 500	1
4.	T-0023	020048	Swirl Ring, .250	2	9.	T-1394	T-1394	HF Feed Ass'y	1
	T-0022	020040	Swirl Ring, .220	2	NS	T-0994	027055	Silicone Grease	1

### ACCESSORIES



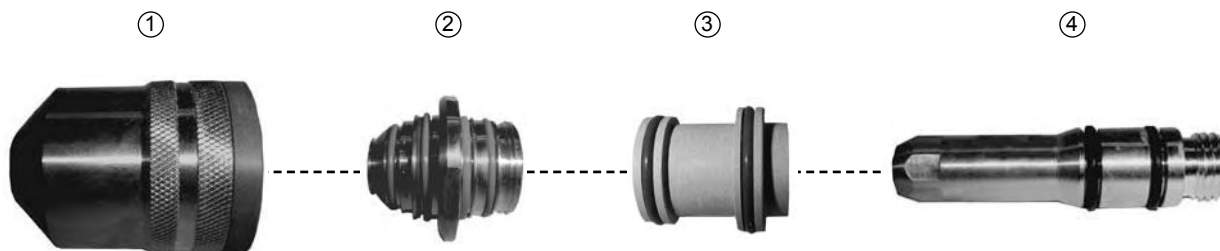
Item	Part No	Ref. No.	Description	Std. Pkg	Item	Part No.	Ref. No.	Description	Std. Pkg.
1.	T-1001	020041	Insulating Sleeve	1	T-0624	024031		Hose, Gas, 40'	1
2.	T-0609	023033	Lead, Hi-Frequency, 10'	1	5.	T-0625	024032	Hose, Water, 10'	1
	T-0611	023035	Lead, Hi-Frequency, 15'	1		T-0626	024033	Hose, Water, 15'	1
	T-0612	023036	Lead, Hi-Frequency, 20'	1		T-0618	024018	Hose, Water, 20'	1
	T-0613	023037	Lead, Hi-Frequency, 25'	1		T-0627	024034	Hose, Water, 25'	1
	T-0614	023038	Lead, Hi-Frequency, 30'	1		T-0628	024035	Hose, Water, 30'	1
	T-0615	023039	Lead, Hi-Frequency, 35'	1		T-0629	024036	Hose, Water, 35'	1
	T-0616	023040	Lead, Hi-Frequency, 40'	1		T-0630	024037	Hose, Water, 40'	1
3.	T-0608	023032	Cable, Water Cooled, 10'	1	6.	T-0638	046033	Tubing 3/8 ID	per ft.
	T-0610	023034	Cable, Water Cooled, 15'	1	7.	T-0677	046026	Shrink-On Tubing 1 1/2" x 3"	1
	T-0603	023012	Cable, Water Cooled, 20'	1	8.	T-0639	046010	Shielding Braid	per ft.
	T-0604	023013	Cable, Water Cooled, 25'	1	9.	T-0602	015090	Clamp	1
	T-0605	023014	Cable, Water Cooled, 30'	1	10.	T-0600	004080	Collar	1
	T-0606	023015	Cable, Water Cooled, 35'	1	11.	T-0631	028137	Leads, Shielded, 10'	1
	T-0607	023016	Cable, Water Cooled, 40'	1		T-0632	028138	Leads, Shielded, 15'	1
4.	T-0619	024026	Hose, Gas, 10'	1		T-0633	028139	Leads, Shielded, 20'	1
	T-0620	024027	Hose, Gas, 15'	1		T-0634	028140	Leads, Shielded, 25'	1
	T-0617	024017	Hose, Gas, 20'	1		T-0635	028141	Leads, Shielded, 30'	1
	T-0621	024028	Hose, Gas, 25'	1		T-0636	028142	Leads, Shielded, 35'	1
	T-0622	024029	Hose, Gas, 30'	1		T-0637	028143	Leads, Shielded, 40'	1
	T-0623	024030	Hose, Gas, 35'	1	NS	T-0601	004146	Plasma Reducing Nipple	1

HYPERTHERM®, PAC500® are the Registered Trademarks of HYPERTHERM INC. \* OEM Manufactured Parts

THERMACUT is in no way affiliated with the above-named manufacturers. References to the above-named machines, torches, consumables and reference numbers are for convenience only. Most Thermacut parts are made for or by an IBG company. Parts indicated with a \* are original parts manufactured by the above named manufacturer and are being resold by Thermacut. Thermacut reserves the right to substitute OEM parts in place of Thermacut parts.

REPLACEMENT PARTS FOR  
**HYPERTHERM®**

**HT-4400®**



Item	Part No	Ref. No.	Description	Std. Pkg	Item	Part No.	Ref. No.	Description	Std. Pkg.
1.	T-2931	120786*	Retaining Cap (w/o IHS.Tab)	1	T-2973	120791*	Swirl Ring, Oxygen, 200 Amp	1	
	T-4515	120907*	Retaining Cap (with IHS.Tab)	1	T-4145	120783*	Swirl Ring, Oxygen, 100 Amp	1	
2.	T-8716**	120934	Nozzle, Oxygen, 400 Amp	1	T-4574	120853*	Swirl Ring, Oxygen, 200A/400A N2	1	
	T-8714**	120794	Nozzle, Oxygen, 300A (200A N2)	1	4.	T-4912**	120810AG	Electrode, Silver-EX, 400A, O2	1
	T-8713**	120787	Nozzle, Oxygen, 200 Amp	1		T-4911**	120802AG	Electrode, Silver-EX, 300A, O2	1
	T-8712**	120777	Nozzle, Oxygen, 100 Amp	1		T-4915**	120793AG	Electrode, Silver-EX, 200A O2	1
	T-8715**	120856	Nozzle, Oxygen, 400 A, N2	1		T-8944	120785	Electrode, Oxygen 100 Amp	1
3.	T-2933	120939*	Swirl Ring, O2, 400A	1		T-8948	120855	Electrode, 200A/400 A N2	1
	T-3547	120913*	Swirl Ring, Oxygen, 300 Amp	1					

**\*\*A UNIQUE DESIGN WHICH ENHANCES PERFORMANCE AND DIFFERS FROM OEM DESIGNS**

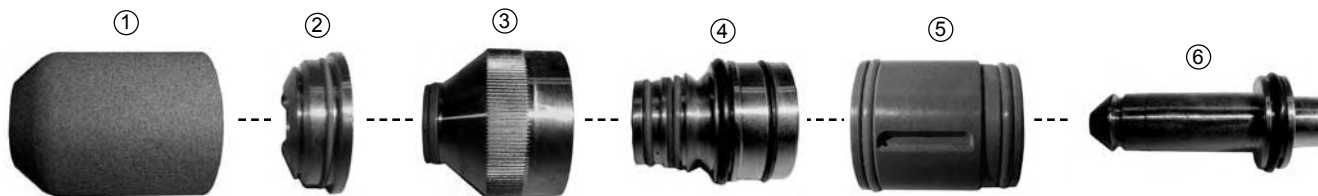
HYPERTHERM®, HT4400® are the Registered Trademarks of HYPERTHERM INC. \* OEM Manufactured Parts

THERMACUT is in no way affiliated with the above-named manufacturers. References to the above-named machines, torches, consumables and reference numbers are for convenience only. Most Thermacut parts are made for or by an IBG company. Parts indicated with a \* are original parts manufactured by the above named manufacturer and are being resold by Thermacut. Thermacut reserves the right to substitute OEM parts in place of Thermacut parts.



## REPLACEMENT PARTS FOR HYPERTHERM®

HD1070®, HD3070®  
PAC182®, PAC184®, PAC185®, PAC186®



Item	Part No	Ref. No.	Description	Std. Pkg	Item	Part No.	Ref. No	Description	Std. Pkg.
1.	T-8082**	020634	Shield Cap (w/o IHS tab)	1		T-8750**	120272	Nozzle 100 Amp, Mild Steel	1
	T-3957**	020687	Shield Cap (w/ IHS tab)	1		T-8085**	020938	Nozzle 30 Amp, Stainless Steel	1
2.	T-8727**	020670	Shield 15 Amp, Mild Steel	1		T-8089**	020948	Nozzle 50 Amp, Stainless Steel/Copper	1
	T-8728**	020671	Shield 30 Amp, 50 Amp, Mild Steel	1		T-3307**	120591	Nozzle 100 Amp, Stainless Steel/Aluminum	1
	T-8730**	020796	Shield 70 Amp, M. Steel/St. Steel/Copper/Aluminum	1		T-5647**	020647	Nozzle, 70 Amp, M. Steel/St. Steel/Copper/Aluminum	1
	T-8731**	120273	Shield 100 Amp, Mild Steel	1	5.	T-8057	020637	Swirl Ring 15, 30, 50, 100 Amp, Mild Steel	1
	T-3308	020941	Shield 30 Amp, Stainless Steel	1		T-8059	020947	Swirl Ring 50 Amp, Stainless Steel/Copper	1
	T-8090	020949	Shield 50 Amp, Stainless Steel/Copper	1		T-8058	020789	Swirl Ring 70 Amp, M. Steel/St. Steel/Copper/Aluminum	1
	T-3931	120594*	Shield 100 Amp, Stainless Steel/Aluminum	1		T-8081	120590	Swirl Ring 100 Amp, Stainless Steel/Aluminum	1
3.	T-4161	020633*	Retaining Cap 15, 30, 50 Amp, Mild Steel	1		T-8406	020937	Swirl Ring 30 Amp, Stainless Steel	1
	T-4160	020795*	Retaining Cap, 50, 70 Amp, M. Steel/St. Steel/Copper/Aluminum	1	6.	T-8705**	120111	Electrode 50 Amp, 30 Amp, Mild Steel	5
	T-4165	120266*	Retaining Cap 100 Amp, Mild Steel	1		T-8706**	120112	Electrode 70 Amp, M. Steel/St. Steel/Copper/Aluminum	5
	T-3929	020940*	Retaining Cap 30 Amp, Stainless Steel	1		T-8707**	120113	Electrode 30 Amp, 50 Amp, Stainless Steel/Copper	5
	T-8092	120592*	Retaining Cap 100 Amp, Stainless Steel/Aluminum	1		T-8708**	120410	Electrode 100 Amp, Mild Steel	5
4.	T-8052	020644*	Nozzle 15 Amp, Mild Steel	1		T-8709**	120589	Electrode 100 Amp, Stainless Steel/Aluminum	5
	T-8718**	020645	Nozzle 30 Amp, Mild Steel	1	NS	T-8905**	120173	1 Piece Machine Torch PAC182	1
	T-8720**	020646	Nozzle 50 Amp, Mild Steel	1					

\*\*A UNIQUE DESIGN WHICH ENHANCES PERFORMANCE AND DIFFERS FROM OEM DESIGNS

HYPERTHERM®, HD1070®, HD3070®, PAC182®, PAC184®, PAC185®, PAC186® are the Registered Trademarks of HYPERTHERM INC.. \* OEM Manufactured Parts

THERMACUT is in no way affiliated with the above-named manufacturers. References to the above-named machines, torches, consumables and reference numbers are for convenience only. Most Thermacut parts are made for or by an IBG company. Parts indicated with a \* are original parts manufactured by the above named manufacturer and are being resold by Thermacut. Thermacut reserves the right to substitute OEM parts in place of Thermacut parts.