



Product information presented here reflects conditions at time of publication. Consult factory regarding discrepancies or inconsistencies.

MAIL TO: P.O. BOX 16347 • Louisville, KY 40256-0347
SHIP TO: 3649 Cane Run Road • Louisville, KY 40211-1961
(502) 778-2731 • 1 (800) 928-PUMP • FAX (502) 774-3624

visit our web site:
<http://www.zoeller.com>

REPLACEMENT PARTS LIST FOR MODELS:

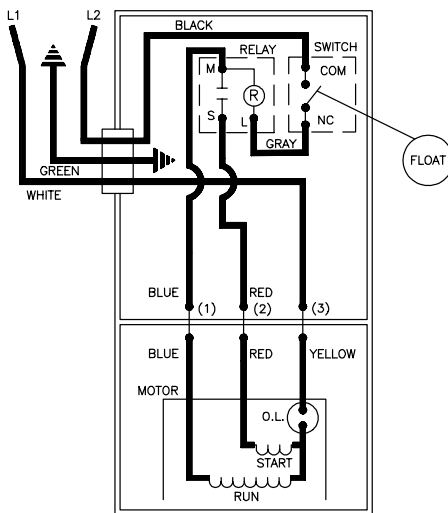
M137 AUTOMATIC 115V
D137 AUTOMATIC 230V
N137 NONAUTOMATIC 115V
E137 NONAUTOMATIC 230V

Consult factory for all other models

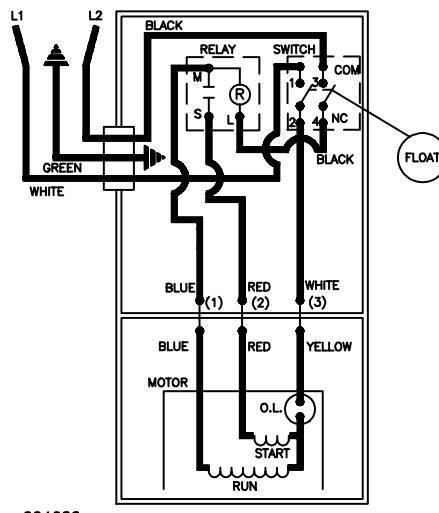
TO ORDER REPLACEMENT PARTS:

PLEASE FURNISH THE FOLLOWING INFORMATION:

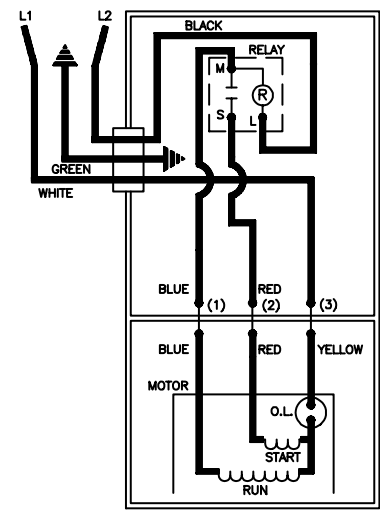
- Model Number.
- Part Number of Pump.
(If manufactured prior to June 1988, give 2 letter date code following Model No.)
- Part Number and Description of part.



002389A
WIRING DIAGRAM FOR MODELS
"M137", "M137-A" and "N137-B"
"D137", "D137-A" and "D137-B"
3/80 (OJ) thru 8/86 (US)



004620
WIRING DIAGRAM FOR
MODELS
"M137-C"
"D137-C"
9/86 (VS) thru Present



002395A
WIRING DIAGRAM FOR MODELS
"N137", "N137-A", "N137-B" and "N137-C"
"E137", "E137-A", "E137-B" and "E137-C"
3/80 (OJ) thru Present

REPLACEMENT PARTS LIST FOR MODELS "M137" and "D137". See back page for "M137" and "D137" illustration.

MODELS:				M137	M137-A	M137-B	M137-C		D137	D137-A	D137-B	D137-C
REF. NO.	DESCRIPTION	QTY	NOTES	3/80 OJ thru 9/80 VJ	10/80 WJ thru 10/83 WO	11/83 XO thru 8/86 US	9/86 VS thru Current		3/80 OJ thru 9/80 VJ	10/80 WJ thru 10/83 WO	11/83 XO thru 8/86 US	9/86 VS thru Current
1	• Handle	1		267032	267032	267032	267032		267032	267032	267032	267032
2	• Case-Mach "137/267/268"	1	3	267016	267016	267016	004610		267016	267016	267016	004610
3	• Gasket, Case/Cover	1		267007	267007	267007	267007		267007	267007	267007	267007
4	• Relay Asm	1		267049	002474	002474	002474		267050	267050	267050	147135
5	• Wire Pkg (2)Wires	1		267014	267014	267014	267014		267014	267014	267014	267014
6	• Seal, Thru Wall Term	1		003402	003402	003402	003402		003402	003402	003402	003402
7	• Plug, Test-White	3		034090	034090	034090	034090		034090	034090	034090	034090
8	• Clamp, Strain Relief-Red	1		001770	001770	001770	001770		001770	001770	001770	001770
9	• Cord Term & Seal Asm 10'	1	3,4	267033	267033	267033	094071		267034	267034	267034	094072
10	• Seal, Cord-Asm & Strain Relief	1	4	094032	094032	094032	094032		094032	094032	094032	094032
11	• Bearing, Upper Rotor	1		034052	034052	NA	NA		034052	034052	NA	NA
12	• Guard	1		267008	267008	267008	267008		267008	267008	267008	267008
13	• Float-Polypropylene	1		034019	034019	034019	034019		034019	034019	034019	034019
14	• Arm & Seal Asm "130/260"	1	3	267018	267018	267018	004741		267018	267018	267018	004741
15	• Case & Switch Asm "130/260"	1	3	267047	267047	267047	004739		267047	267047	267047	004739
16	• Switch Asm "130/260"	1	3	267015	267015	267015	004740		267015	267015	267015	004740
17	• Lead Wire (Gray)	1		002227	002227	002227	NA		002227	002227	002227	NA
17	• Rod, Float	1		001526	001526	001526	001526		001526	001526	001526	001526
18	• Housing, Mtr-&Str GE	1	1,2	002475	002475	002475	002475		002476	002476	002476	002476
18	• Housing, Mtr-& Str EMD	1	1,2	004003	004003	004003	004003		005534	005534	005534	005534
19	• Rotor Asm 115/230V/1Ph GE	1	2	267005	267005	267005	267005		267005	267005	267005	267005
19	• Rotor Asm 115/230V/1Ph EMD	1	2	004021	004021	004021	004021		004021	004021	004021	004021
20	• Seal, Mtr Hsg	1		267006	267006	267006	267006		267006	267006	267006	267006
21	• Washer, Trst-Nyl. 875X.504X.050"	1		002140	002140	002140	002140		002140	002140	002140	002140
22	• Bearing, Sleeve-Lower Rotor	1		054024	054024	NA	NA		054024	054024	NA	NA
23	• Housing, Pump-Mach	1		137004	137004	137004	137004		137004	137004	137004	137004
24	• Oil, Dielectric (24.5 Oz Can)	1		267056	267056	267056	267056		267056	267056	267056	267056
25	• Guide Asm, Flt Rod	1		094048	094048	094048	004676		094048	094048	094048	004676
26	• Seal Asm, Shaft-Bilster Pak	1		267027	267027	267027	267027		267027	267027	267027	267027
27	• Impeller "137"	1	4	137006	137006	137006	137006		137006	137006	137006	137006
28	• Base & Plate Asm	1		137020	137020	137020	137020		137020	137020	137020	137020
29	• Strainer Plate	1		137008	137008	137008	137008		137008	137008	137008	137008
30	• Screw, .25-20 X .75 HHm-SS	9		001916	001916	001916	001916		001916	001916	001916	001916
31	• Screw, #6-32x.438RHsltp"1"Stlzi	2		001877	001877	001877	004644		001877	001877	001877	004644
32	• Screw, #10-24 X.375 RHM-SI SS	3		001883	001883	001883	001883		001883	001883	001883	001883
33	• Sem. 10-24x.375HH-SI Tc.688Wash	2		002000	002000	002000	002000		002000	002000	002000	002000
34	• Screw, #6-32x.25RHM SI Tc Stlgr	3		001877	001877	001877	001877		001877	001877	001877	001877
35	• Screw 7/8-20x.875 HH SS	4		012491	012491	012491	012491		012491	012491	012491	012491
	• Rebuild Kit "130/260"	1		267059	267059	267059	004743		267059	267059	267059	004743

• Items included in Rebuild Kit. □ Not shown in illustration.

NOTES:

- 1) Mtr. Hsg., Brg., Stator & Term. (Item 18) are preassembled at the factory and must be replaced as a unit. Stator is permanently attached to the Motor Housing. Plug (Item 7); Seal, Thru Wall Term. (Item 6) and Bearing - Upper (Item 11) are replaceable.
- 2) When ordering Motor Housing, Bearing, Stator and Term. (Item 18) or Rotor (Item 16) specify either GE or Emerson motor. GE or Emerson motor. GE motor can be identified by (4) half oval slots spaced at 90° around the outside diameter or the stator. Emerson motor can be identified by (2) half oval slots or holes spaced 180° around the outside diameter of the stator.
- 3) If an "X" follows Model No., or Date Mfg. on brass ID tag, consult factory for ordering any parts.
- 4) See FM0160 Parts Price Sheet for listing of parts prices.
- 5) "NA" indicates, not applicable.

DATE CODE OF MANUFACTURE FROM 12/70 to 12/88					
1st LETTER MONTH			2nd LETTER YEAR		
M -- JAN.	T -- JULY	A -- 1971	G -- 1977	O -- 1983	
N -- FEB.	U -- AUG.	B -- 1972	H -- 1978	P -- 1984	
O -- MARCH	V -- SEPT.	C -- 1973	I -- 1979	R -- 1985	
P -- APRIL	W -- OCT.	D -- 1974	J -- 1980	S -- 1986	
R -- MAY	X -- NOV.	E -- 1975	M -- 1981	T -- 1987	
S -- JUNE	Y -- DEC.	F -- 1976	N -- 1982	U -- 1988	

NOTE: Four digit (MMYY) date of mfg. used after June, 1988.
IE: MMYY = 0192 = Jan. 1992

REPLACEMENT PARTS LIST FOR MODELS "N137" and "E137".

See back page for "N137" and "E137" illustration.

MODELS:				N137	N137-A	N137-B	N137-C	E137	E137-A	E137-B	E137-C
REF. NO.	DESCRIPTION	QTY	NOTES	3/80 OJ thru 9/80 VJ	10/80WJ thru 10/83 WO	11/83 XO thru 8/86 US	9/86 VS thru Current	3/80 OJ thru 9/80 VJ	10/80WJ thru 10/83 WO	11/83 XO thru 8/86 US	9/86 VS thru Current
1	• Handle	1		267032	267032	267032	267032	267032	267032	267032	267032
2	• Cover & Handle Asm	1		267051	267051	267051	267051	267051	267051	267051	267051
3	• Cover-Mach	1		267052	267052	267052	267052	267052	267052	267052	267052
4	• Gasket, Case/Cover	1		267007	267007	267007	267007	267007	267007	267007	267007
5	• Relay Asm	1		267049	002474	002474	002474	267050	267050	267050	002474
6	• Wire Pkg (2) Wires	1		267014	267014	267014	267014	267014	267014	267014	267014
7	• Seal, Thru Wall Term	3		003402	003402	003402	003402	003402	003402	003402	003402
8	• Plug, Test-White	2		034090	034090	034090	034090	034090	034090	034090	034090
9	• Clamp, Strain Relief-Red	1	3	001770	001770	001770	001770	001770	001770	001770	001770
10	• Cord Term & Seal 15'	1	3	003617	003617	003617	003617	003618	003618	003618	003618
11	• Seal, Cord-Asm & Strain Relief	1		094032	094032	094032	094032	094032	094032	094032	094032
12	• Bearing, Upper Rotor	1		094052	094052	NA	NA	094052	094052	NA	NA
13	• Retainer, HdI-Na	1		267053	267053	267053	267053	267053	267053	267053	267053
14	• Housing, Mtr-&Str GE	1	1,2	002475	002475	002475	002475	002476	002476	002476	002476
		1	1,2	004003	004003	004003	004003	005534	005534	005534	005534
15	• Oil, Dielectric (24.5 Oz Can)	1		267056	267056	267056	267056	267056	267056	267056	267056
16	• Rotor Asm 115/230V/1Ph GE	1	2	267005	267005	267005	267005	267005	267005	267005	267005
		1	2	004021	004021	004021	004021	004021	004021	004021	004021
17	• Seal, Mtr Hsg	1		267006	267006	267006	267006	267006	267006	267006	267006
18	• Washer, Trst-Nyl. 875X.504X.050"	1		002140	002140	002140	002140	002140	002140	002140	002140
19	• Bearing, Sleeve-Lower Rotor	1		054024	054024	NA	NA	054024	054024	NA	NA
20	• Housing, Pump-Mach	1		137004	137004	137004	137004	137004	137004	137004	137004
21	• Seal Asm, Shaft-Blister Pak	1		267027	267027	267027	267027	267027	267027	267027	267027
22	• Impeller "137"	1		137006	137006	137006	137006	137006	137006	137006	137006
23	• Base & Plate Asm	1		137020	137020	137020	137020	137020	137020	137020	137020
24	• Strainer Plate	1		137008	137008	137008	137008	137008	137008	137008	137008
25	• Screw, #6-32X.25RHM SI Tc Stlgr	2		001877	001877	001877	001877	001877	001877	001877	001877
26	• Screw, #.25-20 X.75 HHm-SS	9		001916	001916	001916	001916	001916	001916	001916	001916
27	• Screw, #10-24 x.375 RHM-SI SS	3		001883	001883	001883	001883	001883	001883	001883	001883
28	• Sem, 10-24x.375HH-SI Tc.688Wash	2		002000	002000	002000	002000	002000	002000	002000	002000
29	• Screw 1/4-20x.875 HH SS	4		012491	012491	012491	012491	012491	012491	012491	012491
⊠	• Rebuild Kit "130/260"	1		267059	267059	267059	267059	267059	267059	267059	004743

• Items included in Rebuild Kit. ⊠ Not shown in illustration.

NOTES:

- 1) Mtr. Hsg., Brg., Stator & Term. (Item 14) are preassembled at the factory and must be replaced as a unit. Stator is permanently attached to the Motor Housing. Plug (Item 8); Seal, Thru Wall Term. (Item 7) and Bearing - Upper (Item 12) are replaceable.
- 2) When ordering Motor Housing, Bearing, Stator and Term. (Item 14) or Rotor (Item 16) specify either GE or Emerson motor. GE or Emerson motor. GE motor can be identified by (4) half oval slots spaced at 90° around the outside diameter of the stator. Emerson motor can be identified by (2) half oval slots or holes spaced 180° around the outside diameter of the stator.
- 3) If an "X" follows Model No., or Date Mfg. on brass ID tag, consult factory for ordering any parts.
- 4) See FM0160 Parts Price Sheet for listing of parts prices.
- 5) "NA" indicates, not applicable.



<http://www.zoeller.com>

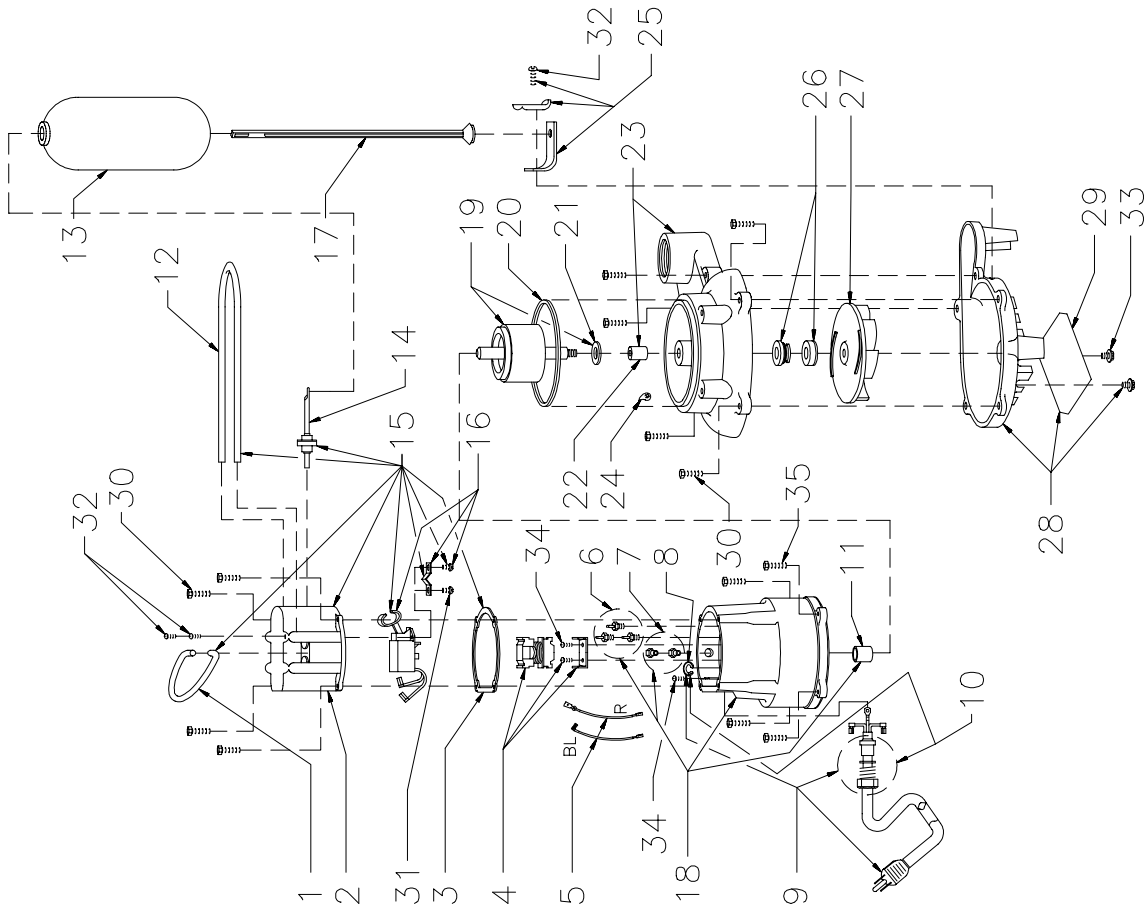


MAIL TO: P.O. BOX 16347
Louisville, KY 40256-0347
SHIP TO: 3649 Cane Run Road
Louisville, KY 40211-1961
(502) 778-2731 • 1 (800) 928-PUMP
FAX (502) 774-3624

Manufacturers of . . .

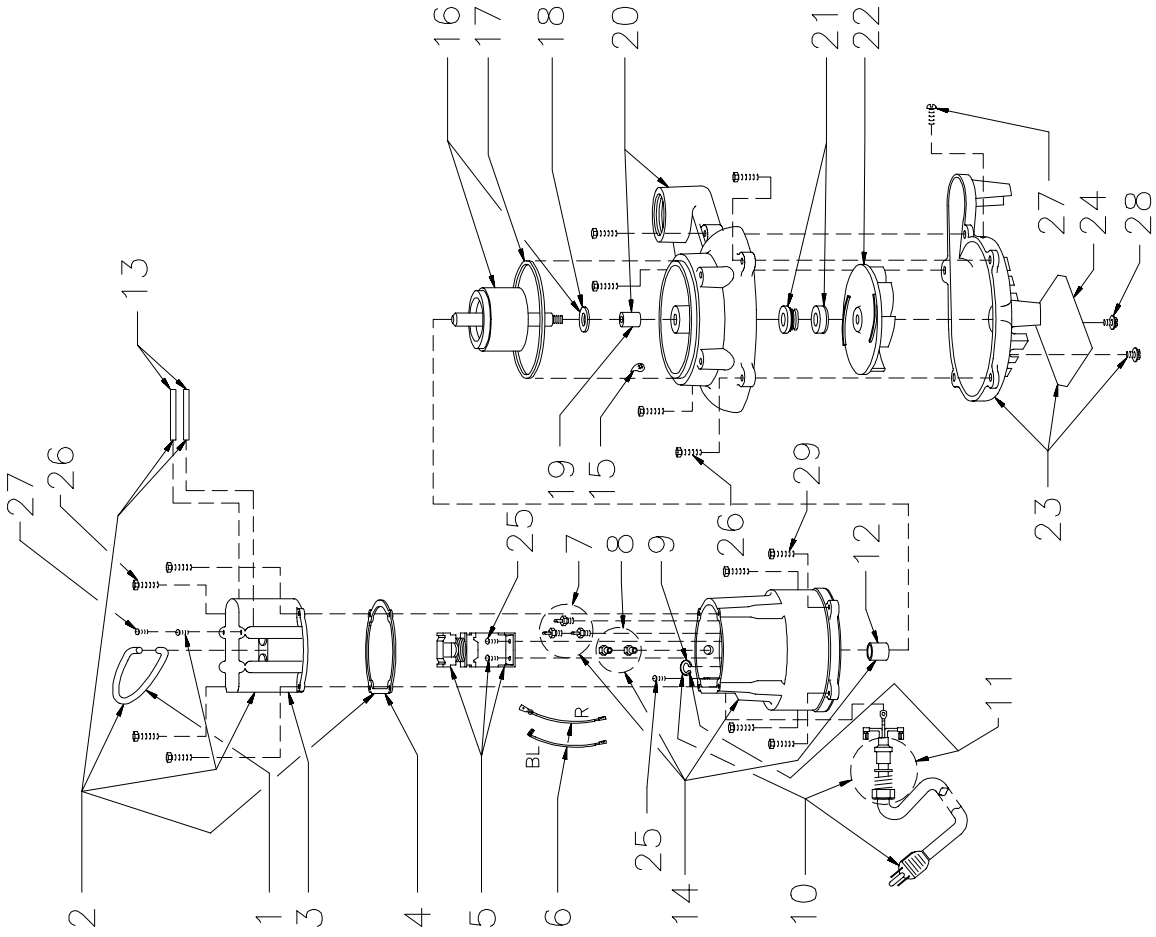
"QUALITY PUMPS SINCE 1939"

REPLACEMENT PARTS ILLUSTRATION FOR MODELS "M137" AND "D137"



SK624

REPLACEMENT PARTS ILLUSTRATION FOR MODELS "N137" AND "E137"



SK613